



HOSHIZAKI

Parts List

Modular Crescent Cuber

Models

KM-650MAH, MVWH, MRH



hoshizakiamerica.com

Number: 71264
Issued: 11-28-2006
Revised: 3-29-2023

CONTENTS

Auxiliary Codes.....	3
Note About Ordering Parts	4
A. Main Assembly & Refrigeration Circuit	5
KM-650MAH.....	5
KM-650MWH.....	7
KM-650MRH	9
B. Water Circuit	11
C. Control Box Assembly	14
D. Accessories & Labels	16

Auxiliary Codes

KM-650MAH

R-0 July 2006
S-1 January 2007
S-2 May 2007
T-0 January 2008
U-0 January 2009
U-1 February 2009
V-0 February 2010
V-1 March 2010
V-2 May 2010
V-3 June 2010
V-4 August 2010
A-0 January 2011
A-1 September 2011
B-0 January 2012
C-0 January 2013
C-1 May 2013
D-1 January 2014
D-2 December 2014
E-0 January 2015
F-0 January 2016
G-0 January 2017

KM-650MWH

R-0 July 2006
S-1 January 2007
T-0 January 2008
U-1 June 2009
V-0 January 2010
V-1 March 2010
V-2 May 2010
V-3 June 2010
V-4 August 2010
A-0 February 2011
A-1 September 2011
B-0 January 2012
C-0 January 2013
C-1 May 2013
C-2 September 2013
D-1 January 2014
E-0 January 2015
F-0 January 2016
G-0 January 2017

KM-650MRH

R-0 July 2006
S-1 January 2007
T-0 January 2008
U-0 January 2009
U-1 February 2009
U-2 July 2009
V-0 January 2010
V-1 March 2010
V-2 May 2010
V-3 June 2010
V-4 August 2010
A-0 January 2011
A-1 October 2011
B-0 January 2012
C-0 January 2013
C-1 May 2013
C-2 December 2013
D-1 January 2014
D-2 October 2014
D-3 December 2014
E-0 January 2015
F-0 January 2016
G-0 January 2017

Auxiliary Code Breakdown

The auxiliary code is the first two characters in the serial number. The first character indicates the year. Years progress or regress in alphabetical order. The series runs from "A" through "V" and the letters "I" and "O" are skipped. The second character indicates significant part changes within a year. Base is "0" and this number advances for each change. In cases where there is a letter in parentheses, this designates the month. This is the last character in the serial number. The series runs from "(A)" through "(M)" and the letter "(I)" is skipped. This designation is only included when identifying a parts change within an auxiliary code.

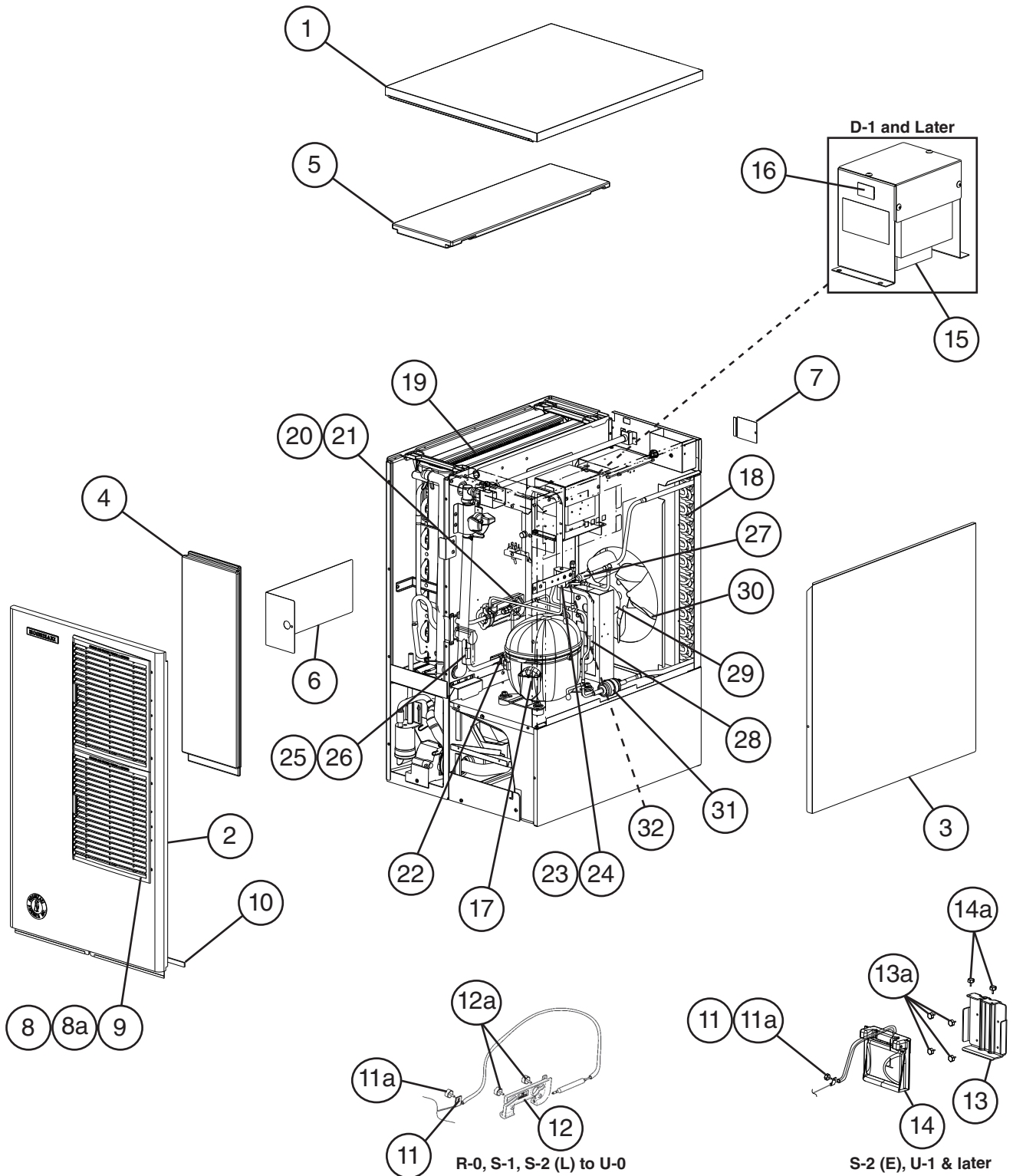
Note About Ordering Parts

Most assemblies cannot be ordered as complete units; parts in the assemblies generally must be ordered separately.

A. Main Assembly & Refrigeration Circuit

KM-650MAH

R-0 to G-0

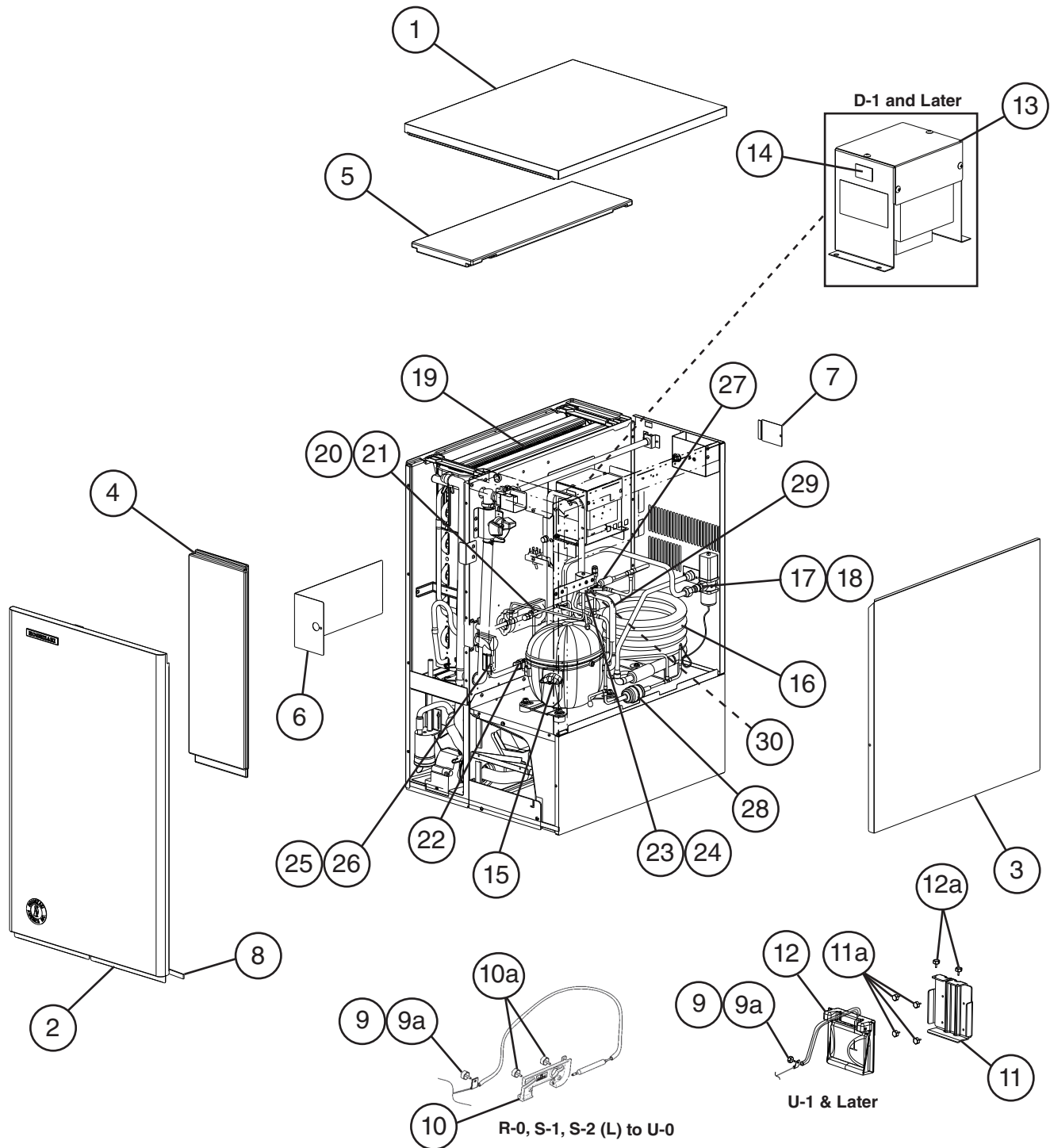


R-0, S-1, S-2 (L) to U-0
 For thermostat, see
 "C. Control Box Assembly"

S-2 (E), U-1 & later

Title: A. Main Assembly & Refrigeration Circuit Model: KM-650MAH													
Index No.	Description	Material or Model Number	Part Number	Required Number									
				R-0 to S-1 (D)	S-2 (E)	S-1 (F) to U-0	U-1 to V-1	V-2 to C-1	D-1 to G-0				
Main Assembly													
1	Top Panel		3A3878A01	1	1	1	1	1	1				
2	Front Panel		2A2130-03	1	1	1	1	1	1				
3	Right Side Panel		2A2117G02	1	1	1	1	1	1				
4	Front Insulation		215731G02	1	1	1	1	1	1				
5	Top Insulation		215730G01	1	1	1	1	1	1				
6	Control Box Cover		3A2371-01	1	1	1	1	1	1				
7	Junction Box Cover		433410-01	1	1	1	1	1	1				
8	Louver		1A0547-01	2	2	2	2	2	2				
8a	Push Retainer		4A2414-01	6	6	6	6	6	6				
9	Air Filter		2A2062G01	2	2	2	2	2	2				
10	Gasket	L=554 mm	4A0808L02	1	1	1	1	1	1				
11	Strap		4A2262-02	1	1	1	1	1	1				
11a	Thumbscrew		415949G10	1	1	1	1	1	1				
12	Bulb Holder		3A3903-01	1	-	1	-						
12a	Thumbscrew		415949G10	2	-	2	-						
13	Mechanical Bin Switch Mount		3A6040-01		1	-	1	1	1				
13a	Thumbscrew		415949G10		4	-	4	4	4				
14	Mechanical Bin Control		2A4393G01		1	-	1	1	1				
14a	Thumbscrew		415949G10		2	-	2	2	2				
15	Main Transformer		4A0817-01							1			
16	Voltage Tap Switch		4A1477-01							1			
Refrigeration Circuit													
17	Compressor	SB14-0002	4A4072-01	1	1	1	1	-					
			4A5079-01					1	1				
18	Condenser		2A3853-01	1	1	1	1	1	1				
19	Evaporator	SP-5574	104407G01	1	1	1	1	1	1				
20	Thermostatic Expansion Valve		4A1482-01	1	1	1	1	1	1				
21	Thermostatic Expansion Valve Cover		3A0944-01	1	1	1	1	1	1				
22	Thermostatic Expansion Valve Bulb Holder		3A0107-01	1	1	1	1	1	1				
23	Hot Gas Valve Body		4A3978-01	1	1	1	1	1	1				
24	Valve Coil		4A3277-01	1	1	1	1	1	1				
25	Thermistor		429006-03	1	1	1	1	1	1				
26	Thermistor Holder		427430-01	1	1	1	1	1	1				
27	Strainer		441569-02	1	1	1	1	1	1				
28	Heat Exchanger		2A5448G02	1	1	1	1	1	1				
29	Fan Motor		4A3158-01	1	1	1	1	1	1				
30	Fan Blade		4A3959-01	1	1	1	1	1	1				
31	Drier		4A2666-01	1	1	1	1	1	1				
32	High-Pressure Switch		463180-04	1	1	1	1	1	1				

A. Main Assembly & Refrigeration Circuit
KM-650MWH
 R-0 to G-0



For thermostat, see
 "C. Control Box Assembly"

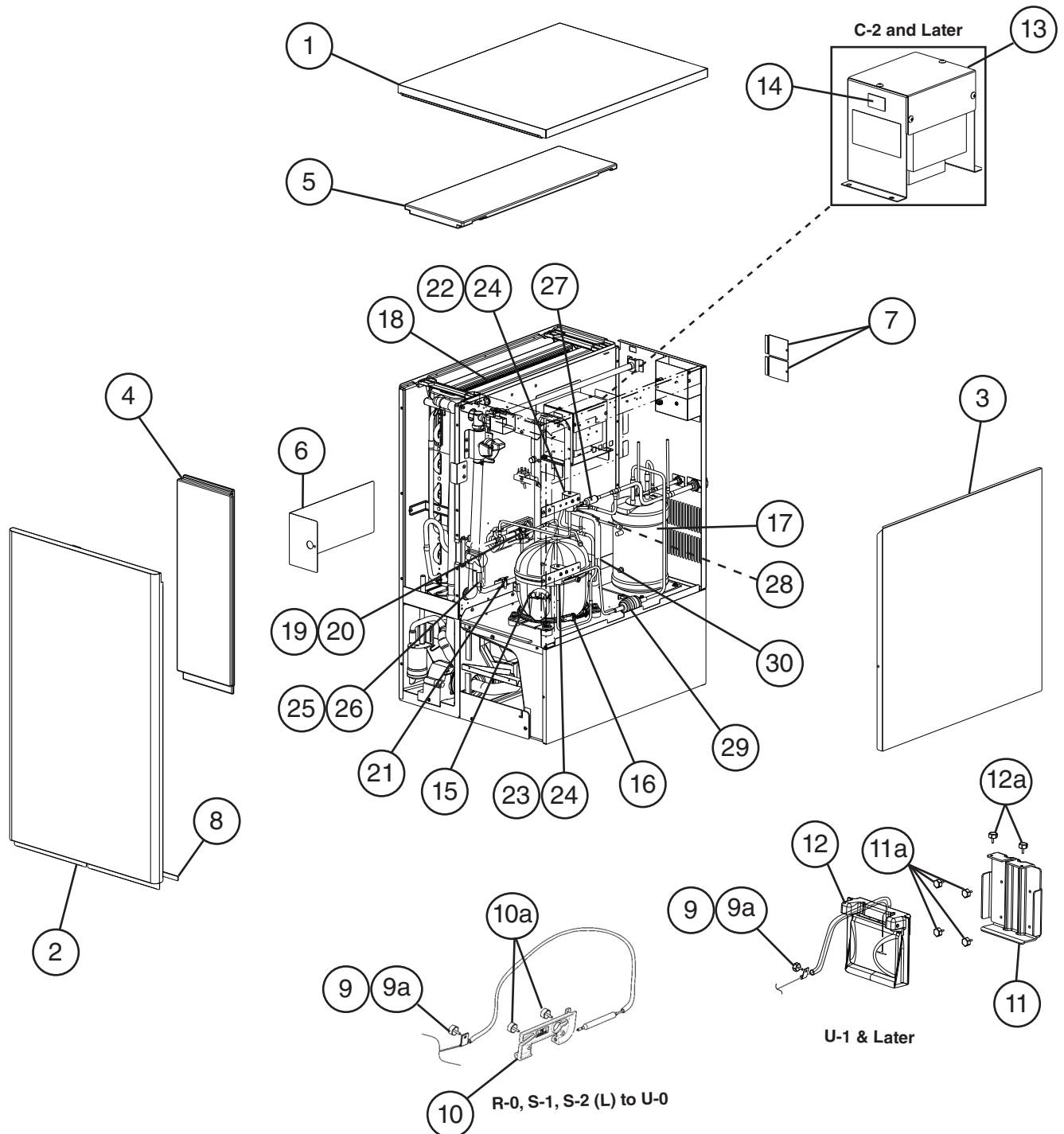
Title: A. Main Assembly & Refrigeration Circuit Model: KM-650MWH

Index No.	Description	Material or Model Number	Part Number	Required Number										
				R-0 to U-0	U-1 to V-1	V-2 to C-1	C-2	D-1 to G-0						
Main Assembly														
1	Top Panel		3A3878A01	1	1	1	1	1						
2	Front Panel		2A2253G01	1	1	-								
			3A5997G01			1	1	1						
3	Right Side Panel		2A2117G02	1	1	1	1	1						
4	Front Insulation		215731G02	1	1	1	1	1						
5	Top Insulation		215730G01	1	1	1	1	1						
6	Control Box Cover		3A2371-01	1	1	1	1	1						
7	Junction Box Cover		433410-01	1	1	1	1	1						
8	Gasket	L=554 mm	4A0808L02	1	1	1	1	1						
9	Strap		435487-01	1	1	1	1	1						
9a	Thumbscrew		415949G10	1	1	1	1	1						
10	Bulb Holder		3A3903-01	1	-									
10a	Thumbscrew		415949G10	2	-									
11	Mechanical Bin Control Switch Mount		3A6040-01		1	1	1	1						
11a	Thumbscrew		415949G10		4	4	4	4						
12	Mechanical Bin Control		2A4393G01		1	1	1	1						
12a	Thumbscrew		415949G10		2	2	2	2						
13	Main Transformer		4A0817-01					1						
14	Voltage Tap Switch		4A1477-01					1						
Refrigeration Circuit														
15	Compressor		4A4072-01	1	1	-								
			4A5079-01			1	1	1						
16	Water-Cooled Condenser	HS-5098	2A2359G02	1	1	1	-							
			3A7322-01				1	1						
17	Water Regulator		4A0911-07	1	1	1	1	1						
18	Male Connector Inlet Fitting		4A1087-01	1	1	1	1	1						
19	Evaporator	S-0428	104407G01	1	1	1	1	1						
20	Thermostatic Expansion Valve		4A1482-01	1	1	1	1	1						
21	Thermostatic Expansion Valve Cover		3A0944-01	1	1	1	1	1						
22	Thermostatic Expansion Valve Bulb Holder		3A0107-01	1	1	1	1	1						
23	Hot Gas Valve Body		4A3978-01	1	1	1	1	1						
24	Valve Coil		4A3277-01	1	1	1	1	1						
25	Thermistor		429006-03	1	1	1	1	1						
26	Thermistor Holder		427430-01	1	1	1	1	1						
27	Strainer		441569-02	1	1	1	1	1						
28	Drier		4A2666-01	1	1	1	1	1						
29	Heat Exchanger		2A5448G02	1	1	1	1	1						
30	High-Pressure Switch		463180-05	1	1	1	1	1						

A. Main Assembly & Refrigeration Circuit

KM-650MRH

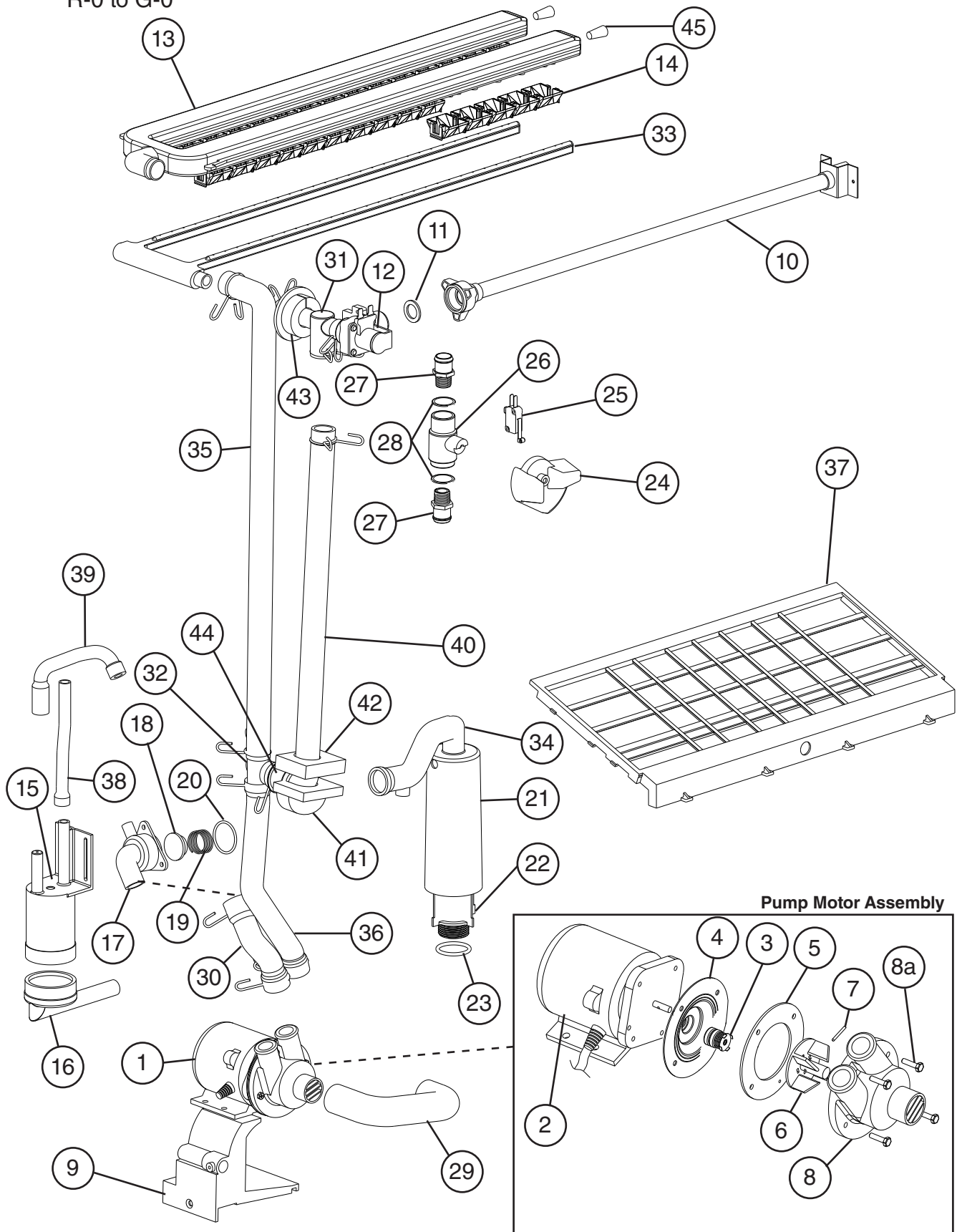
R-0 to G-0



For thermostat, see
"C. Control Box Assembly"

Title: A. Main Assembly & Refrigeration Circuit Model: KM-650MRH												
Index No.	Description	Material or Model Number	Part Number	Required Number								
				R-0 to U-0	U-1 to V-1	V-2 to C-1	C-2 to G-0					
Main Assembly												
1	Top Panel		3A3878A01	1	1	1	1					
2	Front Panel		2A2253G01	1	1	-						
			3A5997G01			1	1					
3	Right Side Panel		2A2117G02	1	1	1	1					
4	Front Insulation		215731G02	1	1	1	1					
5	Top Insulation		215730G01	1	1	1	1					
6	Control Box Cover		3A2371-01	1	1	1	1					
7	Junction Box Cover		433410-01	2	2	2	2					
8	Gasket	L=554 mm	4A0808L02	1	1	1	1					
9	Strap		435487-01	1	1	1	1					
9a	Thumbscrew		415949G10	1	1	1	1					
10	Bulb Holder		3A3903-01	1	-							
10a	Thumbscrew		415949G10	2	-							
11	Mechanical Bin Control Switch Mount		3A6040-01		1	1	1					
11a	Thumbscrew		415949G10		4	4	4					
12	Mechanical Bin Control		2A4393G01		1	1	1					
12a	Thumbscrew		415949G10		2	2	2					
13	Main Transformer		4A0817-01				1					
14	Voltage Tap Switch		4A1477-01				1					
Refrigeration Circuit												
15	Compressor		4A4072-01	1	1	-						
			4A5079-01			1	1					
16	Crankcase Heater		4A5397-02	1	1	-						
			4A5091-01			1	1					
17	Receiver Tank		437652-01	1	1	1	1					
18	Evaporator	S-0428	104407G01	1	1	1	1					
19	Thermostatic Expansion Valve		4A1482-01	1	1	1	1					
20	Thermostatic Expansion Valve Cover		3A0944-01	1	1	1	1					
21	Thermostatic Expansion Valve Bulb Holder		3A0107-01	1	1	1	1					
22	Hot Gas Valve Body		4A3978-01	1	1	1	1					
23	Liquid Line Valve Body		4A3276-01	1	1	1	1					
24	Valve Coil		4A3277-01	2	2	2	2					
25	Thermistor		429006-03	1	1	1	1					
26	Thermistor Holder		427430-01	1	1	1	1					
27	Strainer		441569-02	1	1	1	1					
28	High-Pressure Switch		463180-04	1	1	1	1					
29	Drier		4A2666-01	1	1	1	1					
30	Heat Exchanger		2A5448G02	1	1	1	1					

B. Water Circuit
KM-650M_H
 R-0 to G-0



Title: B. Water Circuit Model: KM-650M_H

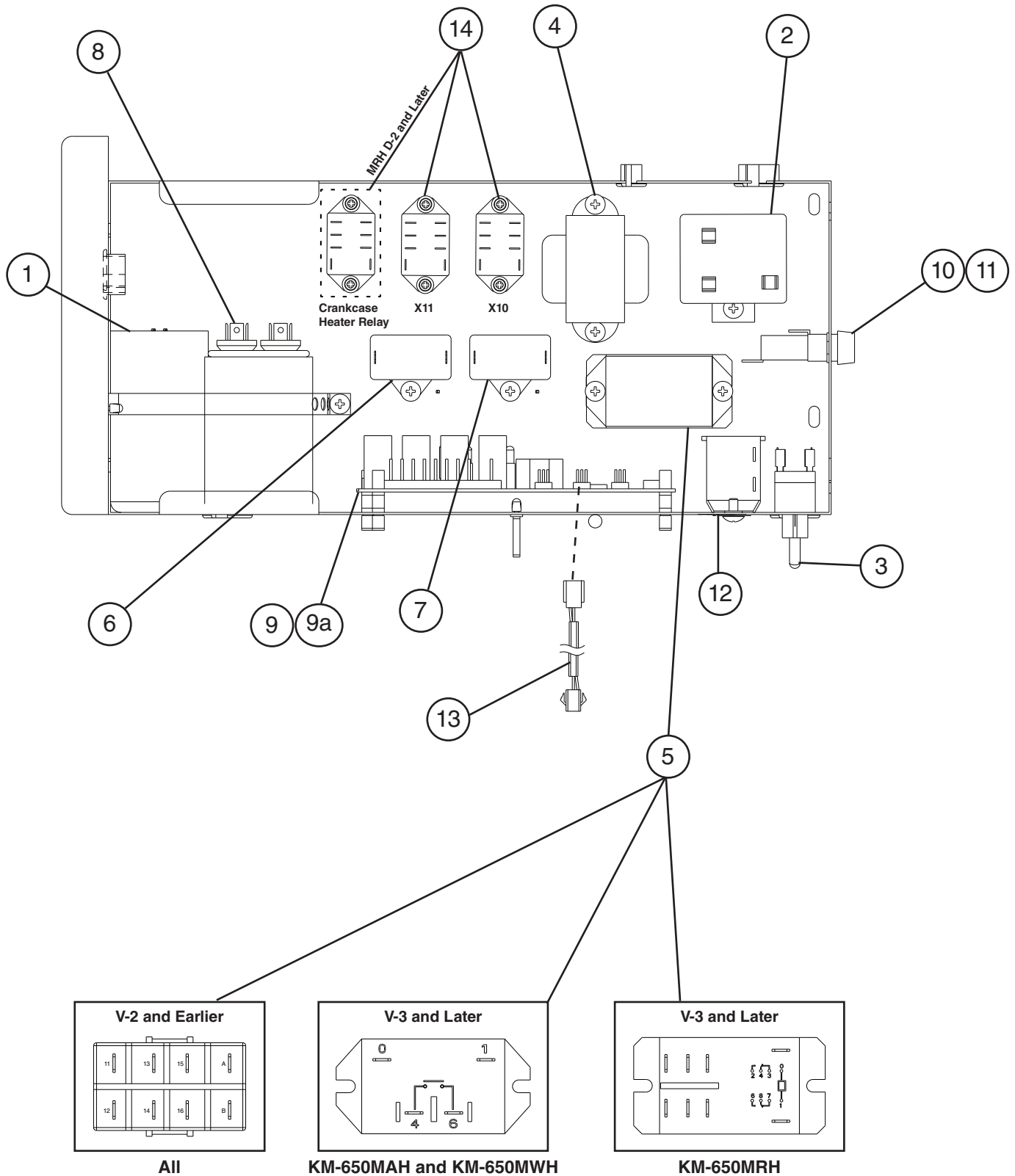
Index No.	Description	Material or Model Number	Part Number	Required Number									
				R-0 to V-1	V-2 to A-0	A-1 to E-0	F-0 to G-0						
1	Pump Motor Assembly (includes items 2 through 8a)	PA0613	3A2638A03	1	1	1	1						
2	Pump Motor		2A2758-01	1	1	1	1						
3	Mechanical Seal		465627-01	1	1	1	1						
4	Pump Flange		3A2988-01	1	1	1	1						
5	Pump Gasket		4A2974-01	1	1	1	1						
6	Impeller		433522-01	1	1	1	1						
7	Pin		4A0648-01	1	1	1	1						
8	Pump Housing		211409-01	1	1	1	1						
8a	Screw		4A3871-01	4	4	4	4						
9	Pump Motor Bracket		211408-01	1	1	1	1						
10	Water Supply Pipe	HS-0242	4A0768G04	1	1	-							
			4A5216G04			1	1						
11	Rubber Gasket		413854-03	1	1	1	1						
12	Inlet Water Valve		3U0111-03	1	-								
			3U0111-02		1	1	1						
13	Spray Tube		1A0260-02	1	1	1	1						
14	Spray Guide (A)		208586-01	6	6	6	6						
15	Float Switch		4A3624-01	1	1	1	1						
16	Float Switch Connector		426799-01	1	1	1	1						
17	Drain Valve Housing		321001-01	1	1	1	1						
18	Drain Valve Seat		433705-01	1	1	1	1						
19	Drain Valve Spring		322110-01	1	1	1	1						
20	Drain Valve O-ring		7611-G035	1	1	1	1						
21	Overflow Cap		321002-01	1	1	1	1						
22	Overflow Pipe		430722-01	1	1	1	1						
23	O-Ring		4A1234-01	1	1	1	1						
24	Cleaning Valve Handle		215383-01	1	1	1	1						
25	Cleaning Valve Microswitch		4A2546-01	1	1	1	1						
26	Cleaning Valve Ball Valve	S-0761	439293-01	1	1	1	1						
27	Cleaning Valve Male Adaptor		325826-01	2	2	2	2						
28	Cleaning Valve O-Ring		7611-P018	2	Use thread sealant tape - P/N 4A5361-01								
29	Suction Hose		433466-01	1	1	1	1						
30	Vinyl Hose	L=110 mm	7716-2025	1	1	1	1						
31	Distributor A (Tee)		4A0177-01	1	1	1	1						
32	Distributor (Tee)		432426-01	1	1	1	1						
33	Water Supply Tube		2A0079-01	1	1	1	1						
34	Drain Hose		433468-01	1	1	1	1						
35	Rubber Hose (A)		4A1551-01	1	1	1	1						
36	Vinyl Hose	L=250 mm	7716-2025	1	1	1	1						
37	Cube Guide		212088-01	1	1	1	1						
38	Silicone Hose	L=170 mm	7730I3812	1	1	1	1						
39	Silicone Hose	L=140 mm	7730I3896	1	1	1	1						
40	Rubber Hose (B)		4A1551-02	1	1	1	1						
41	Corner Insulation (A)		439376-01	1	1	1	1						

Title: B. Water Circuit Model: KM-650M_H													
Index No.	Description	Material or Model Number	Part Number	Required Number									
				R-0 to V-1	V-2 to A-0	A-1 to E-0	F-0 to G-0						
42	Corner Insulation (B)		439392-01	1	1	1	1						
43	Flange		439267-01	1	1	1	1						
44	Rubber Ring		439236-01	1	1	1	1						
45	Plug		4A0176-01	2	2	2	2						
Hose Clamps													
	Hose Clamp	26.2-30.2 mm	4A2017-02				1						
	Hose Clamp	25 mm	427443-03	9	9	9	8						
	Hose Clamp	18 mm	427443-05	1	1	1	-						
	Hose Clamp	17.1-20.6 mm	4A2017-05				1						
	Hose Clamp	20 mm	427443-06	1	1	1	-						

C. Control Box Assembly

KM-650M_H

R-0 to G-0

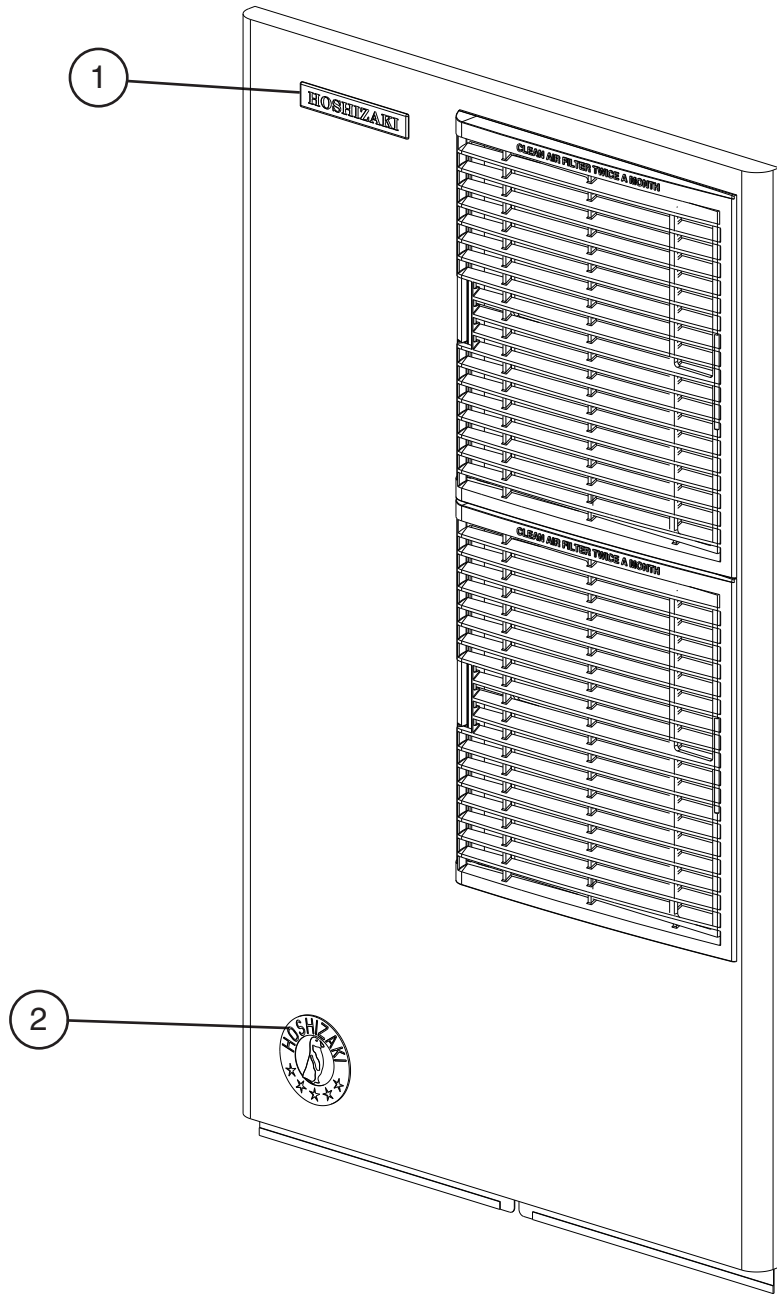


Title: C. Control Box Assembly Model: KM-650M_H												
Index No.	Description	Material or Model Number	Part Number	Required Number								
				R-0 S-1 (D)	S-2 (E)	S-1 (F) to U-0	U-1 to V-1	V-2	V-3 to A-1	B-0 to D-1	D-2 to G-0	
1	Start Capacitor	175-216MFD, 330VAC	3A0076-19	1	1	1	1	-				
		72-86MFD, 330VAC	3A1414-01					1	1	1	1	
2	Start/Relay		4A1107-12	1	1	1	1	-				
			4A1107-19					1	1	1	1	
3	Toggle Switch		443119-01	1	1	1	1	1	1	1	1	
4	Control Transformer		3A0172-01	1	1	1	1	1	1	1	1	
5	Magnetic Contactor	All	428393-01	1	1	1	1	1	-			
	Compressor Relay	KM-650MAH KM-650MWH	4A3140-01							1	1	1
		KM-650MRH	4A5096-01							1	1	-
			4A3140-01									1
6	Pump Motor Capacitor	5.5MFD, 250VAC	443192-03	1	1	1	1	1	1	1	1	
7	Fan Motor Capacitor	KM-650MAH 5.0MFD, 250VAC	443192-02	1	1	1	1	1	1	1	1	
8	Run Capacitor	25MFD, 370VAC	3A2005-06	1	1	1	1	-				
		17.5MFD, 440VAC	3A2005-16					1	1	1	1	
9	Control Board		2A1410-01	1	-	1	-					
	Control Board		2A3792-01		1	-	1	1	1	1	1	
9a	Control Board Support		4A0336-03	4	4	4	4	4	4	4	4	
10	Fuse Holder		4A3449-01	1	1	1	1	1	1	-		
			4A5443-01								1	1
11	Fuse	AGC10A, 250VAC	4A0893-07	1	1	1	1	1	1	1	1	
12	Bin Control Thermostat		4A2879-01	1	-	1	-					
13	Bin Control Wire Harness	L=90 mm	4A2200G04		1	-	1	1	1	1	1	
14	Relay (X-10, X-11, and Crankcase Heater)	KM-650MAH KM-650MWH	406132-07					2	2	2	2	
		KM-650MRH						2	2	2	3	

D. Accessories & Labels

KM-650M_H

R-0 to G-0



Title: D. Accessories & Labels Model: KM-650M_H					Required Number							
Index No.	Description	Material or Model Number	Part Number	R-0 to G-0								
1	Hoshizaki Emblem Label		4A0560-01	1								
2	Penguin Label		475552-02	1								
3	Universal Brace		4A0363-01	2								
3a	Hex Bolt	5x12, SS	7B02-0512	2								