



HOSHIZAKI

Parts List

Modular Crescent Cuber

Models

KM-650MAJ, MWJ, MRJ



hoshizakiamerica.com

Number: 71395
Issued: 10-23-2017
Revised: 1-26-2018

CONTENTS

| | |
|--|----|
| Auxiliary Codes..... | 3 |
| Note About Ordering Parts | 3 |
| A. Main Assembly & Refrigeration Circuit | 4 |
| KM-650MAJ | 4 |
| KM-650MWJ | 6 |
| KM-650MRJ | 8 |
| B. Water Circuit | 10 |
| C. Control Box Assembly | 13 |
| D. Accessories & Labels | 15 |

Auxiliary Codes

KM-650MAJ

G-0 January 2017

G-1 October 2017

H-0 January 2018

KM-650MWJ

G-0 January 2017

G-1 October 2017

H-0 January 2018

KM-650MRJ

G-0 January 2017

G-1 October 2017

H-0 January 2018

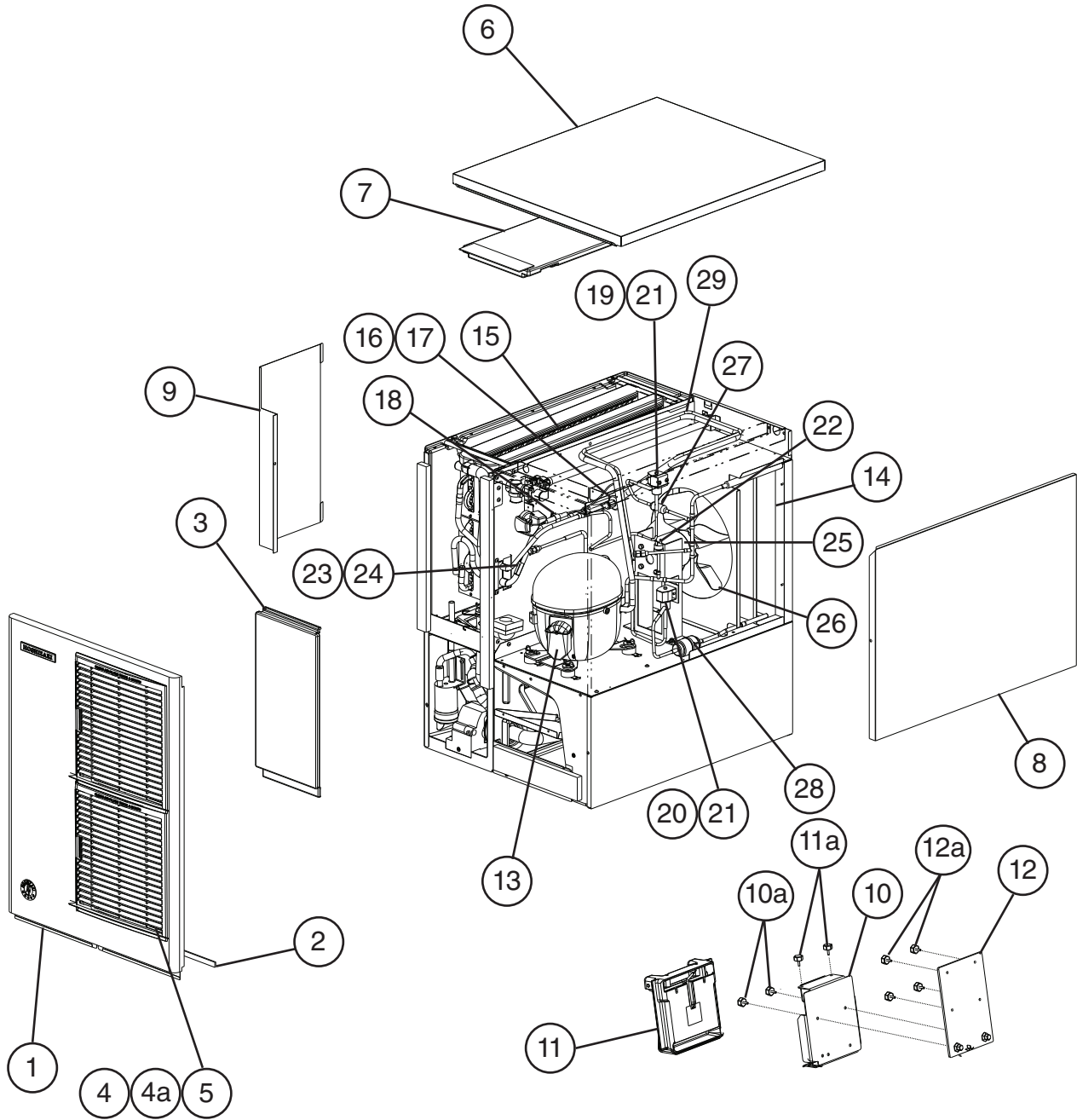
Auxiliary Code Breakdown

The auxiliary code is the first two characters in the serial number. The first character indicates the year. Years progress or regress in alphabetical order. The series runs from "A" through "V" and the letters "I" and "O" are skipped. The second character indicates significant part changes within a year. Base is "0" and this number advances for each change. In cases where there is a letter in parentheses, this designates the month. This is the last character in the serial number. The series runs from "(A)" through "(M)" and the letter "(I)" is skipped. This designation is only included when identifying a parts change within an auxiliary code.

Note About Ordering Parts

Most assemblies cannot be ordered as complete units; parts in the assemblies generally must be ordered separately.

A. Main Assembly & Refrigeration Circuit
KM-650MAJ
 G-0 to H-0

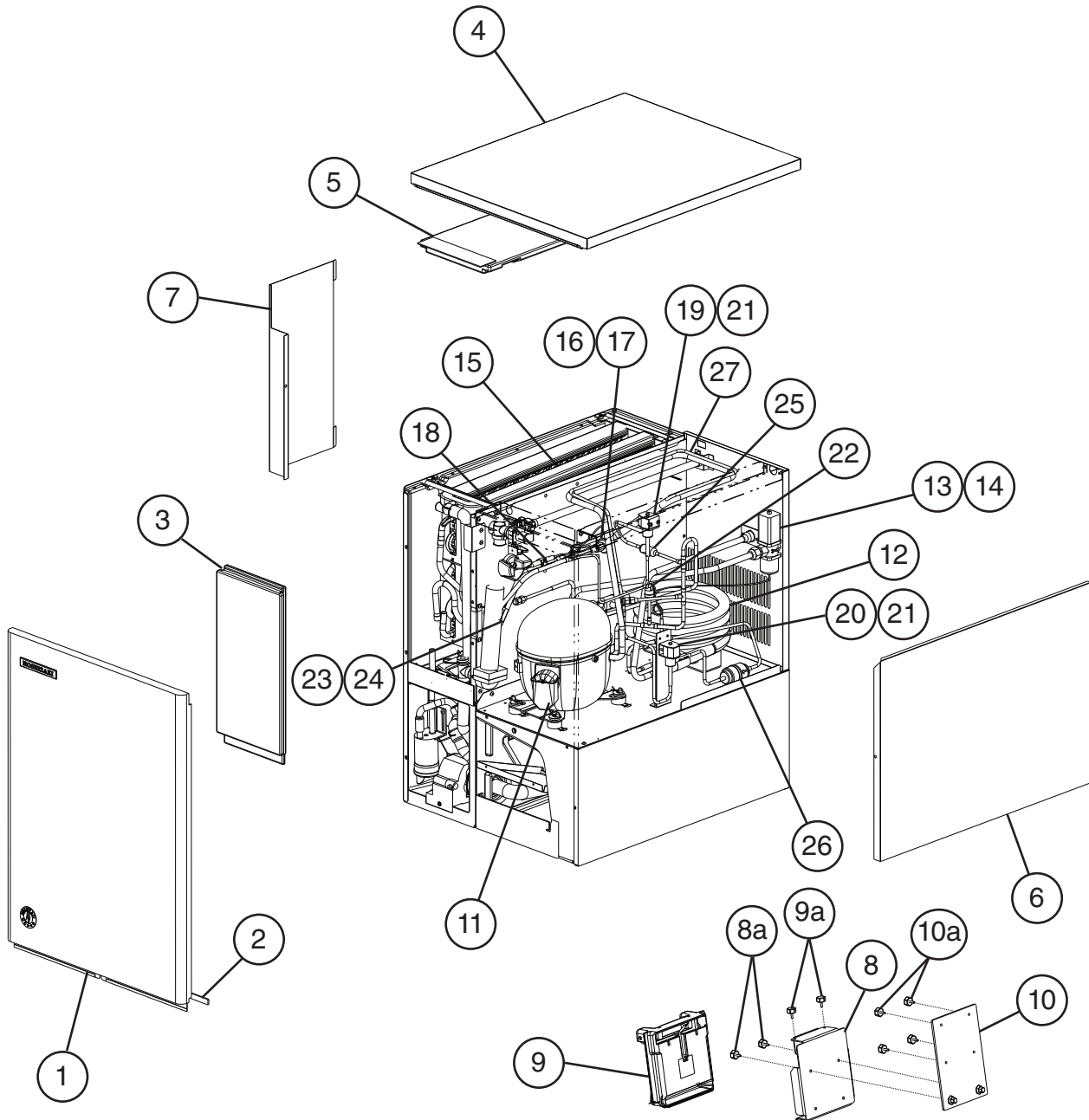


| Title: A. Main Assembly & Refrigeration Circuit Model: KM-650MAJ | | | | | | | | | | | | |
|--|--|--------------------------|-------------|------------|-----------------|--|--|--|--|--|--|--|
| Index No. | Description | Material or Model Number | Part Number | G-0 to H-0 | Required Number | | | | | | | |
| | | | | | | | | | | | | |
| Main Assembly | | | | | | | | | | | | |
| 1 | Front Panel | | 2A3767G01 | 1 | | | | | | | | |
| 2 | Gasket | L=554 mm | 4A0808L02 | 1 | | | | | | | | |
| 3 | Front Insulation | | 215731G01 | 1 | | | | | | | | |
| 4 | Louver | | 1A0547-01 | 2 | | | | | | | | |
| 4a | Push Retainer | | 4A2414-01 | 6 | | | | | | | | |
| 5 | Air Filter | | 2A2062G01 | 2 | | | | | | | | |
| 6 | Top Panel | | 3A3878A01 | 1 | | | | | | | | |
| 7 | Top Insulation | | 215730G01 | 1 | | | | | | | | |
| 8 | Right Side Panel | | 2A2117G01 | 1 | | | | | | | | |
| 9 | Control Box Cover | | 3A2476-01 | 1 | | | | | | | | |
| 10 | Mechanical Bin Control Switch Mount | | 3A6040-01 | 1 | | | | | | | | |
| 10a | Thumbscrew | | 415949G10 | 2 | | | | | | | | |
| 11 | Mechanical Bin Control | | 2A4393G02 | 1 | | | | | | | | |
| 11a | Thumbscrew | | 415949G10 | 2 | | | | | | | | |
| 12 | Mechanical Bin Control Extension Bracket | | 4A5046G01 | 1 | | | | | | | | |
| 12a | Thumbscrew | | 415949G10 | 4 | | | | | | | | |
| Refrigeration Circuit | | | | | | | | | | | | |
| 13 | Compressor | | 4A5158-01 | 1 | | | | | | | | |
| 14 | Condenser | | 1A4744-01 | 1 | | | | | | | | |
| 15 | Evaporator | | 1A4051G01 | 1 | | | | | | | | |
| 16 | Thermostatic Expansion Valve | | 4A4008-01 | 1 | | | | | | | | |
| 17 | Thermostatic Expansion Valve Cover | | 3A0944-01 | 1 | | | | | | | | |
| 18 | Thermostatic Expansion Valve Bulb Holder | | 3A0107-01 | 1 | | | | | | | | |
| 19 | Hot Gas Valve Body | | 4A3978-01 | 1 | | | | | | | | |
| 20 | Liquid Line Valve Body | | 4A3276-01 | 1 | | | | | | | | |
| 21 | Valve Coil | | 4A3277-01 | 2 | | | | | | | | |
| 22 | High-Pressure Switch | | 463180-01 | 1 | | | | | | | | |
| 23 | Thermistor | | 429006-03 | 1 | | | | | | | | |
| 24 | Thermistor Holder | | 427430-01 | 1 | | | | | | | | |
| 25 | Fan Motor | | 4A3158-01 | 1 | | | | | | | | |
| 26 | Fan Blade | | 4A3959-01 | 1 | | | | | | | | |
| 27 | Strainer | | 441569-01 | 1 | | | | | | | | |
| 28 | Drier | | 4A1113-01 | 1 | | | | | | | | |

A. Main Assembly & Refrigeration Circuit

KM-650MWJ

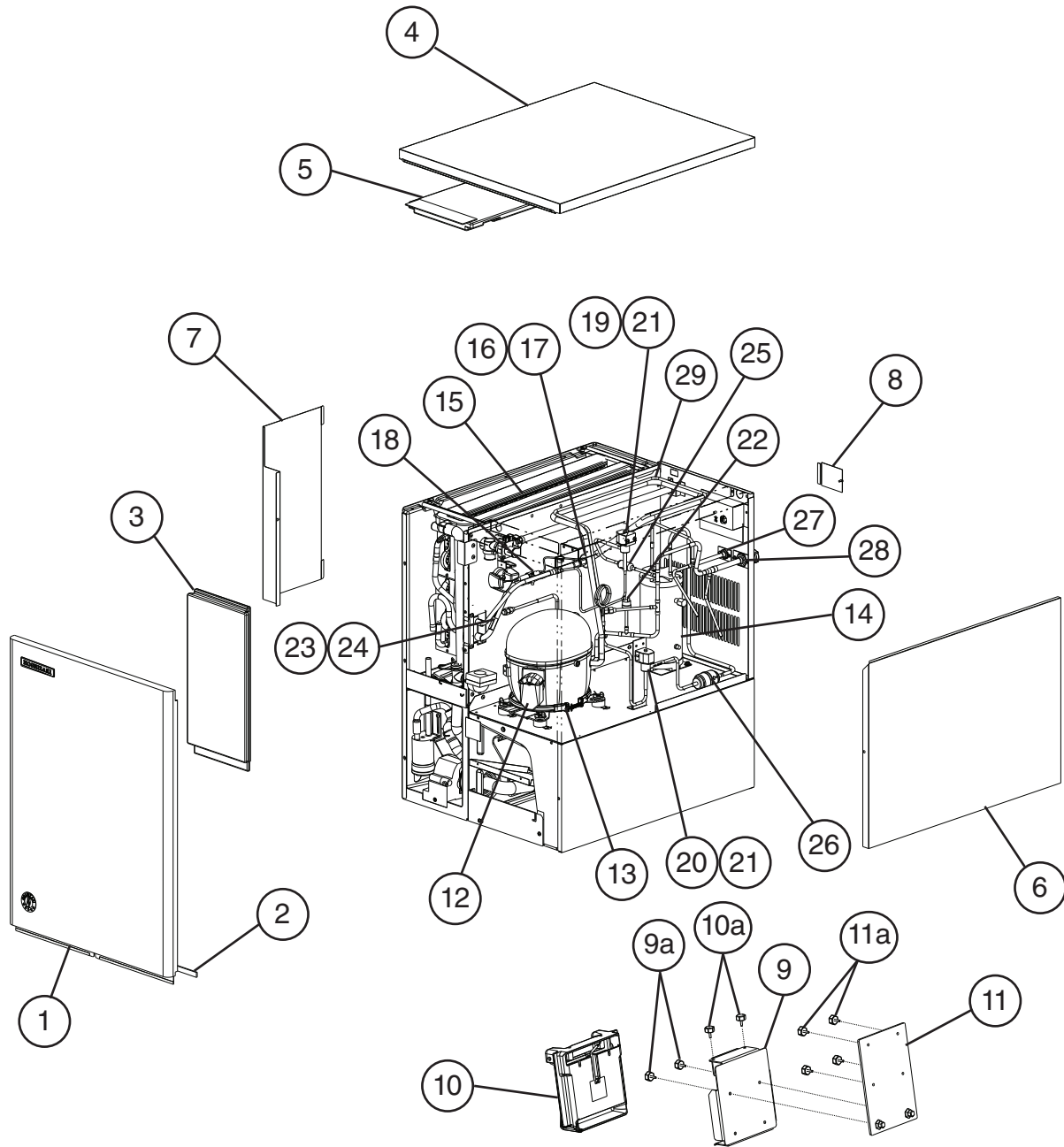
G-0 to H-0



Title: A. Main Assembly & Refrigeration Circuit Model: KM-650MWJ

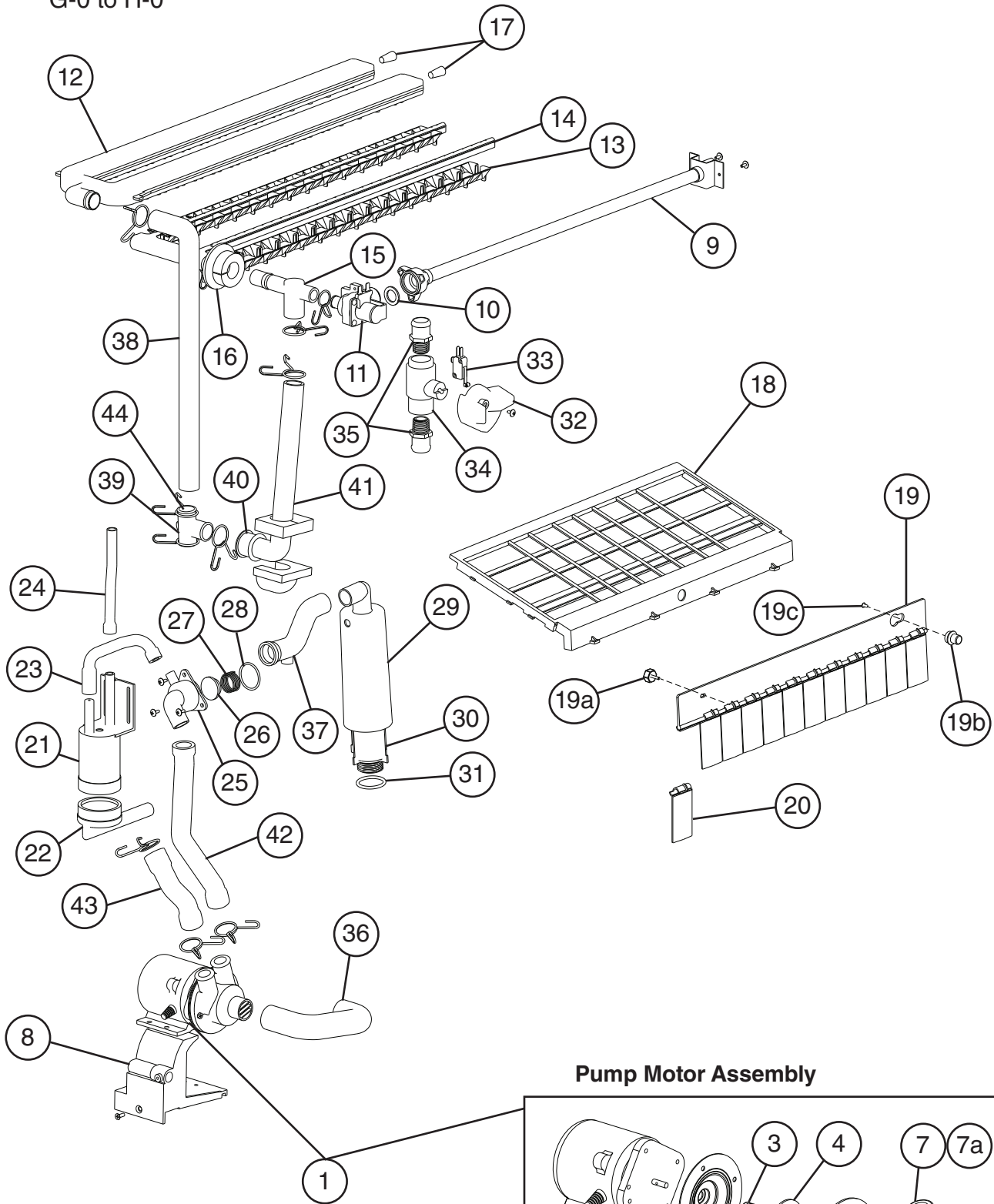
| Index No. | Description | Material or Model Number | Part Number | Required Number | | | | | | | |
|------------------------------|--|--------------------------|-------------|-----------------|--|--|--|--|--|--|--|
| | | | | G-0 to H-0 | | | | | | | |
| Main Assembly | | | | | | | | | | | |
| 1 | Front Panel | | 2A2150G01 | 1 | | | | | | | |
| 2 | Gasket | L=554 mm | 4A0808L02 | 1 | | | | | | | |
| 3 | Front Insulation | | 215731G01 | 1 | | | | | | | |
| 4 | Top Panel | | 3A3878A01 | 1 | | | | | | | |
| 5 | Top Insulation | | 215730G01 | 1 | | | | | | | |
| 6 | Right Side Panel | | 2A2117G01 | 1 | | | | | | | |
| 7 | Control Box Cover | | 3A2476-01 | 1 | | | | | | | |
| 8 | Mechanical Bin Control Switch Mount | | 3A6040-01 | 1 | | | | | | | |
| 8a | Thumbscrew | | 415949G10 | 2 | | | | | | | |
| 9 | Mechanical Bin Control | | 2A4393G02 | 1 | | | | | | | |
| 9a | Thumbscrew | | 415949G10 | 2 | | | | | | | |
| 10 | Mechanical Bin Control Extension Bracket | | 4A5046G01 | 1 | | | | | | | |
| 10a | Thumbscrew | | 415949G10 | 4 | | | | | | | |
| Refrigeration Circuit | | | | | | | | | | | |
| 11 | Compressor | | 4A5158-01 | 1 | | | | | | | |
| 12 | Water-Cooled Condenser | | 3A7321-01 | 1 | | | | | | | |
| 13 | Water Regulator | | 4A0911-07 | 1 | | | | | | | |
| 14 | Male Connector | | 4A1087-01 | 1 | | | | | | | |
| 15 | Evaporator | | 1A4051G01 | 1 | | | | | | | |
| 16 | Thermostatic Expansion Valve | | 4A4008-01 | 1 | | | | | | | |
| 17 | Thermostatic Expansion Valve Cover | | 3A0944-01 | 1 | | | | | | | |
| 18 | Thermostatic Expansion Valve Bulb Holder | | 3A0107-01 | 1 | | | | | | | |
| 19 | Hot Gas Valve Body | | 4A3978-01 | 1 | | | | | | | |
| 20 | Liquid Line Valve Body | | 4A3276-01 | 1 | | | | | | | |
| 21 | Valve Coil | | 4A3277-01 | 2 | | | | | | | |
| 22 | High-Pressure Switch | | 463180-05 | 1 | | | | | | | |
| 23 | Thermistor | | 429006-03 | 1 | | | | | | | |
| 24 | Thermistor Holder | | 427430-01 | 1 | | | | | | | |
| 25 | Strainer | | 441569-01 | 1 | | | | | | | |
| 26 | Drier | | 4A1113-01 | 1 | | | | | | | |
| 27 | Heat Exchanger | | 2A4382G01 | 1 | | | | | | | |

A. Main Assembly & Refrigeration Circuit
KM-650MRJ
G-0 to H-0

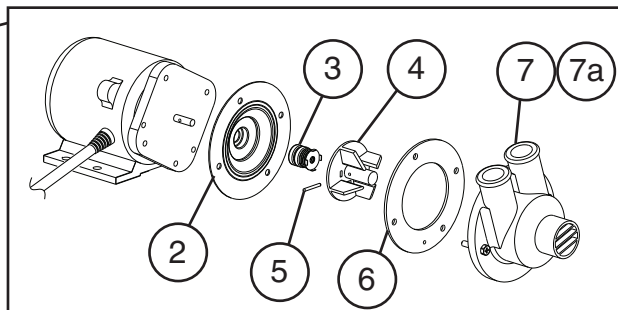


| Title: A. Main Assembly & Refrigeration Circuit Model: KM-650MRJ | | | | | | | | | | | | |
|--|--|--------------------------|-------------|------------|-----------------|--|--|--|--|--|--|--|
| Index No. | Description | Material or Model Number | Part Number | G-0 to H-0 | Required Number | | | | | | | |
| | | | | | | | | | | | | |
| Main Assembly | | | | | | | | | | | | |
| 1 | Front Panel | | 2A2150G01 | 1 | | | | | | | | |
| 2 | Gasket | L=554 mm | 4A0808L02 | 1 | | | | | | | | |
| 3 | Front Insulation | | 215731G01 | 1 | | | | | | | | |
| 4 | Top Panel | | 3A3878A01 | 1 | | | | | | | | |
| 5 | Top Insulation | | 215730G01 | 1 | | | | | | | | |
| 6 | Right Side Panel | | 2A2117G01 | 1 | | | | | | | | |
| 7 | Control Box Cover | | 3A2476-01 | 1 | | | | | | | | |
| 8 | Junction Box cover | | 433410-01 | 1 | | | | | | | | |
| 9 | Mechanical Bin Control Switch Mount | | 3A6040-01 | 1 | | | | | | | | |
| 9a | Thumbscrew | | 415949G10 | 2 | | | | | | | | |
| 10 | Mechanical Bin Control | | 2A4393G02 | 1 | | | | | | | | |
| 10a | Thumbscrew | | 415949G10 | 2 | | | | | | | | |
| 11 | Mechanical Bin Control Extension Bracket | | 4A5046G01 | 1 | | | | | | | | |
| 11a | Thumbscrew | | 415949G10 | 4 | | | | | | | | |
| Refrigeration Circuit | | | | | | | | | | | | |
| 12 | Compressor | | 4A5158-01 | 1 | | | | | | | | |
| 13 | Crankcase Heater | | 4A5091-01 | 1 | | | | | | | | |
| 14 | Receiver Tank | | 437596-01 | 1 | | | | | | | | |
| 15 | Evaporator | | 1A4051G01 | 1 | | | | | | | | |
| 16 | Thermostatic Expansion Valve | | 4A1414-01 | 1 | | | | | | | | |
| 17 | Thermostatic Expansion Valve Cover | | 3A0944-01 | 1 | | | | | | | | |
| 18 | Thermostatic Expansion Valve Bulb Holder | | 3A0107-01 | 1 | | | | | | | | |
| 19 | Hot Gas Valve Body | | 4A3978-01 | 1 | | | | | | | | |
| 20 | Liquid Line Valve Body | | 4A3276-01 | 1 | | | | | | | | |
| 21 | Valve Coil | | 4A3277-01 | 2 | | | | | | | | |
| 22 | High-Pressure Switch | | 463180-01 | 1 | | | | | | | | |
| 23 | Thermistor | | 429006-03 | 1 | | | | | | | | |
| 24 | Thermistor Holder | | 427430-01 | 1 | | | | | | | | |
| 25 | Strainer | | 441569-01 | 1 | | | | | | | | |
| 26 | Drier | | 4A1113-01 | 1 | | | | | | | | |
| 27 | Liquid Line Coupling | | 426554-01 | 1 | | | | | | | | |
| 28 | Discharge Line Coupling | | 434072-01 | 1 | | | | | | | | |
| 29 | Heat Exchanger | | 2A4382G01 | 1 | | | | | | | | |

B. Water Circuit
KM-650M_J
 G-0 to H-0



Pump Motor Assembly

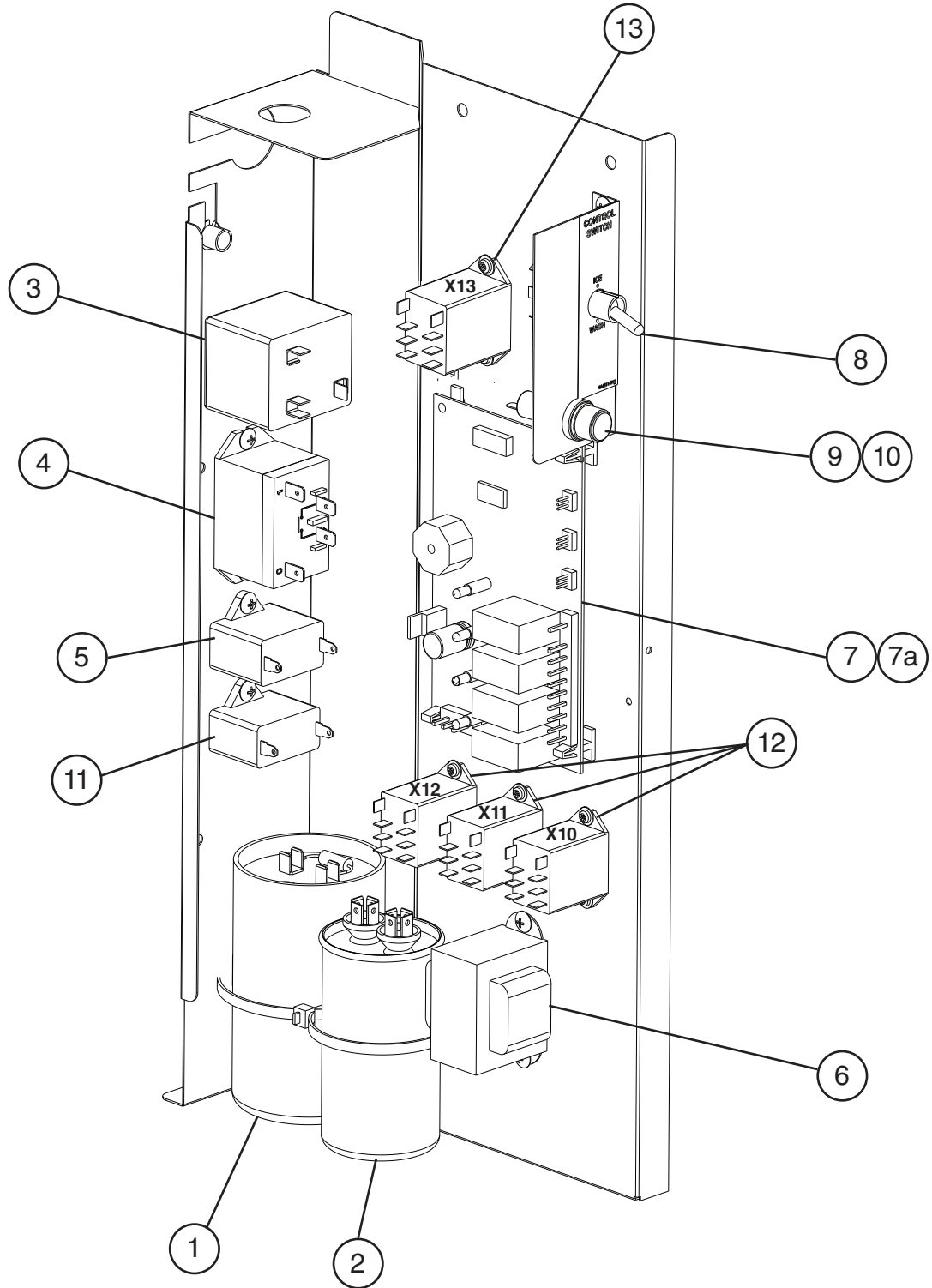


Title: B. Water Circuit Model: KM-650M_J

| Index No. | Description | Material or Model Number | Part Number | G-0 to H-0 | Required Number | | | | | | | | | |
|-----------|--|--------------------------|-------------|------------|-----------------|--|--|--|--|--|--|--|--|--|
| | | | | | | | | | | | | | | |
| 1 | Pump Motor Assembly (includes pump motor and items 2 through 7a) | PA0613 | 3A2638A03 | 1 | | | | | | | | | | |
| 2 | Pump Flange | | 3A2988-01 | 1 | | | | | | | | | | |
| 3 | Mechanical Seal | | 465627-01 | 1 | | | | | | | | | | |
| 4 | Impeller | | 433522-01 | 1 | | | | | | | | | | |
| 5 | Pin | | 4A0648-01 | 1 | | | | | | | | | | |
| 6 | Pump Gasket | | 4A2974-01 | 1 | | | | | | | | | | |
| 7 | Pump Housing | | 211409-01 | 1 | | | | | | | | | | |
| 7a | Screw | 4x20 | 4A3871-01 | 4 | | | | | | | | | | |
| 8 | Pump Motor Bracket | | 211408-01 | 1 | | | | | | | | | | |
| 9 | Water Supply Pipe | | 4A5216G04 | 1 | | | | | | | | | | |
| 10 | Rubber Gasket | | 413854-03 | 1 | | | | | | | | | | |
| 11 | Inlet Water Valve | | 3U0111-03 | 1 | | | | | | | | | | |
| 12 | Spray Tube | | 1A0260-02 | 1 | | | | | | | | | | |
| 13 | Spray Guide | | 2A4282-02 | 2 | | | | | | | | | | |
| 14 | Water Supply Tube | | 2A0079-01 | 1 | | | | | | | | | | |
| 15 | Distributor (Tee) | | 4A0177-01 | 1 | | | | | | | | | | |
| 16 | Flange | | 439267-01 | 1 | | | | | | | | | | |
| 17 | Spray Tube Plug | | 4A0176-01 | 2 | | | | | | | | | | |
| 18 | Cube Guide | | 212088-01 | 1 | | | | | | | | | | |
| 19 | Splash Curtain | | 3A9602-01 | 1 | | | | | | | | | | |
| 19a | Thumbscrew | | 415949G10 | 1 | | | | | | | | | | |
| 19b | Collar | | 435269-01 | 1 | | | | | | | | | | |
| 19c | Screw | 4x12 | 7C22-0412 | 1 | | | | | | | | | | |
| 20 | Separator | | 4X7933-01 | 12 | | | | | | | | | | |
| 21 | Float Switch | | 4A3624-01 | 1 | | | | | | | | | | |
| 22 | Float Switch Connector | | 426799-01 | 1 | | | | | | | | | | |
| 23 | Silicone Hose | L=140 mm | 773013896 | 1 | | | | | | | | | | |
| 24 | Silicone Hose (vent) | L=140 mm | 773013812 | 1 | | | | | | | | | | |
| 25 | Drain Valve Housing | | 321001-01 | 1 | | | | | | | | | | |
| 26 | Drain Valve Seat | | 433705-01 | 1 | | | | | | | | | | |
| 27 | Drain Valve Spring | | 322110-01 | 1 | | | | | | | | | | |
| 28 | Drain Valve O-Ring | | 7611-G035 | 1 | | | | | | | | | | |
| 29 | Overflow Cap | | 321002-01 | 1 | | | | | | | | | | |
| 30 | Overflow Pipe | | 430722-11 | 1 | | | | | | | | | | |
| 31 | Overflow Pipe O-Ring | | 4A1234-01 | 1 | | | | | | | | | | |
| 32 | Cleaning Valve Handle | | 215383-01 | 1 | | | | | | | | | | |
| 33 | Cleaning Valve Microswitch | | 4A2546-01 | 1 | | | | | | | | | | |
| 34 | Cleaning Valve Ball Valve | | 439293-01 | 1 | | | | | | | | | | |
| 35 | Cleaning Valve Male Adaptor | | 325826-01 | 2 | | | | | | | | | | |
| 36 | Suction Hose | | 433466-01 | 1 | | | | | | | | | | |
| 37 | Drain Hose | | 433468-01 | 1 | | | | | | | | | | |
| 38 | Rubber Hose C | | 4A1551-03 | 1 | | | | | | | | | | |
| 39 | Distributor (Tee) | | 432426-01 | 1 | | | | | | | | | | |
| 40 | Rubber Ring | | 439236-01 | 1 | | | | | | | | | | |
| 41 | Rubber Hose D | | 4A1551-04 | 1 | | | | | | | | | | |
| 42 | Vinyl Hose | L=250 mm | 7716-2025 | 1 | | | | | | | | | | |
| 43 | Vinyl Hose (drain) | L=110 mm | 7716-2025 | 1 | | | | | | | | | | |
| 44 | Reducing Pipe | | 4A5767-01 | 1 | | | | | | | | | | |

| Title: B. Water Circuit Model: KM-650M_J | | | | | | | | | | | | |
|--|-------------|--------------------------|---------------------------|-----------------|--|--|--|--|--|--|--|--|
| Index No. | Description | Material or Model Number | Part Number | Required Number | | | | | | | | |
| | | | | G-0 to H-0 | | | | | | | | |
| Hose Clamps | | | | | | | | | | | | |
| | Hose Clamp | 25 mm | 427443-03 | 8 | | | | | | | | |
| | Hose Clamp | 26 - 30 mm | 4A2017-02 | 1 | | | | | | | | |
| | Hose Clamp | 17 - 21.5 mm | 4A2017-05 | 1 | | | | | | | | |

C. Control Box Assembly
KM-650M_J
G-0 to H-0

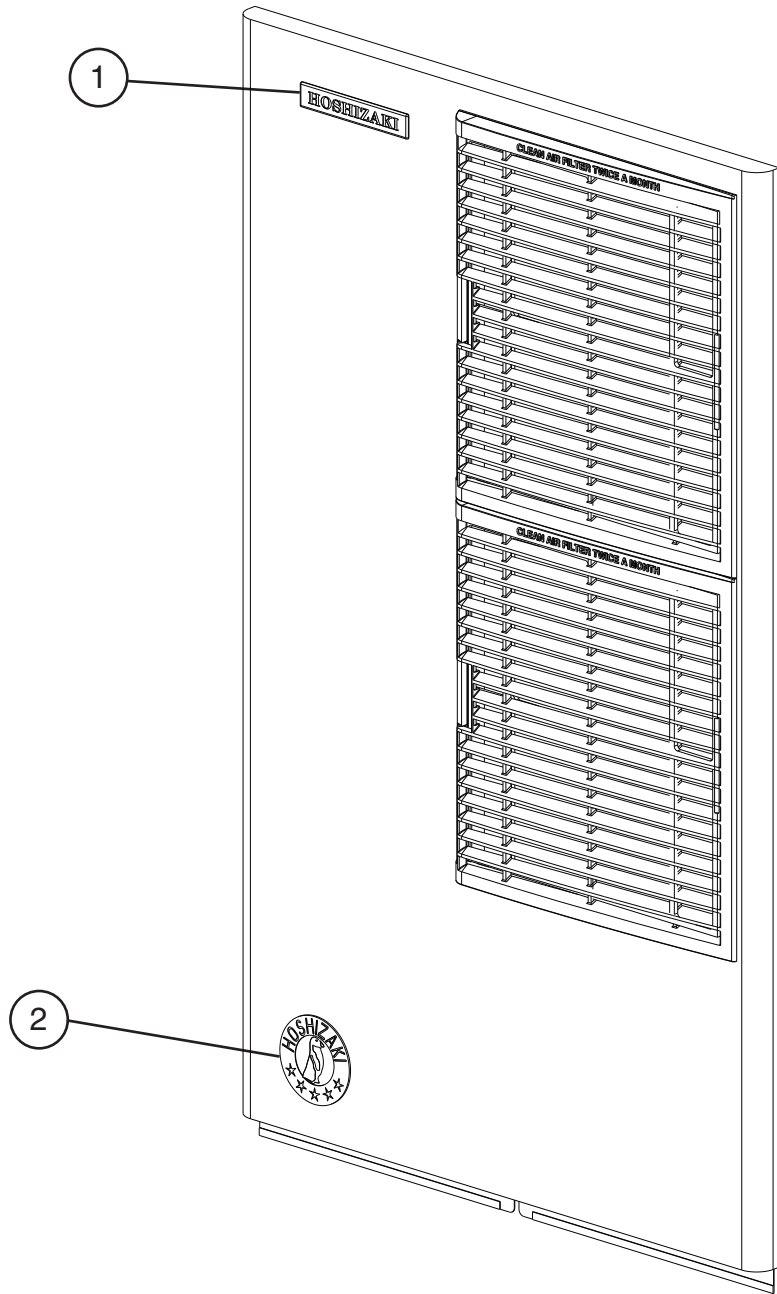


| Title: C. Control Box Assembly Model: KM-650M_J | | | | | | | | | | | | |
|---|---|--|-------------|------------|-----------------|--|--|--|--|--|--|--|
| Index No. | Description | Material or Model Number | Part Number | G-0 to H-0 | Required Number | | | | | | | |
| | | | | | | | | | | | | |
| 1 | Start Capacitor | 175-216MFD, 330VAC | 3A0076-21 | 1 | | | | | | | | |
| 2 | Run Capacitor | 17.5MFD, 440VAC | 3A2005-07 | 1 | | | | | | | | |
| 3 | Start Relay | | 4A1107-20 | 1 | | | | | | | | |
| 4 | Compressor Relay | | 4A3140-01 | 1 | | | | | | | | |
| 5 | Pump Motor Capacitor | KM-650MWJ KM-650MRJ 5.5MFD, 250VAC | 443192-03 | 1 | | | | | | | | |
| 6 | Control Transformer | | 3A0172-01 | 1 | | | | | | | | |
| 7 | Control Board | | 2A7664-02 | 1 | | | | | | | | |
| 7a | Control Board Support | | 4A0336-03 | 4 | | | | | | | | |
| 8 | Toggle Switch | | 443119-01 | 1 | | | | | | | | |
| 9 | Fuse Holder | | 4A5443-01 | 1 | | | | | | | | |
| 10 | Fuse | AGC10A, 250VAC | 4A0893-07 | 1 | | | | | | | | |
| 11 | Fan Motor Capacitor | KM-650MAJ 5.0MFD, 250VAC | 443192-02 | 1 | | | | | | | | |
| 12 | Relay X10 - Pump Direction Relay X11 - X10 Control Relay X12 - Slush Control Relay | KM-650MAJ KM-650MWJ | 406132-07 | 3 | | | | | | | | |
| | Relay (X13 - Crankcase Heater Relay) | KM-650MRJ | | 1 | | | | | | | | |

D. Accessories & Labels

KM-650M_J

G-0 to H-0



| Title: D. Accessories & Labels Model: KM-650M_J | | | | | | | | | | |
|---|------------------------|--------------------------|-------------|-----------------|--|--|--|--|--|--|
| Index No. | Description | Material or Model Number | Part Number | Required Number | | | | | | |
| | | | | G-0 to H-0 | | | | | | |
| 1 | Hoshizaki Emblem Label | | 4A0560-01 | 1 | | | | | | |
| 2 | Penguin Label | | 475552L02 | 1 | | | | | | |
| 3 | Universal Brace | | 4A0363-01 | 2 | | | | | | |
| 3a | Hex Bolt | 5x12 | 7B02-0512 | 2 | | | | | | |