

REMOTE CONDENSER UNIT

\* HI-PRESS. SW.

WIRE COLOR CODE

BK	BLACK	R	RED
BR	BROWN	V	VIOLET
DBU	DARK BLUE	W	WHITE
GR	GREEN	Y	YELLOW
GY	GRAY	W/BK	WHITE/BLACK
LBU	LIGHT BLUE	W/BR	WHITE/BROWN
O	ORANGE	W/BU	WHITE/BLUE
P	PINK	W/O	WHITE/ORANGE
		W/R	WHITE/RED

S4 DIP SWITCH SETTINGS

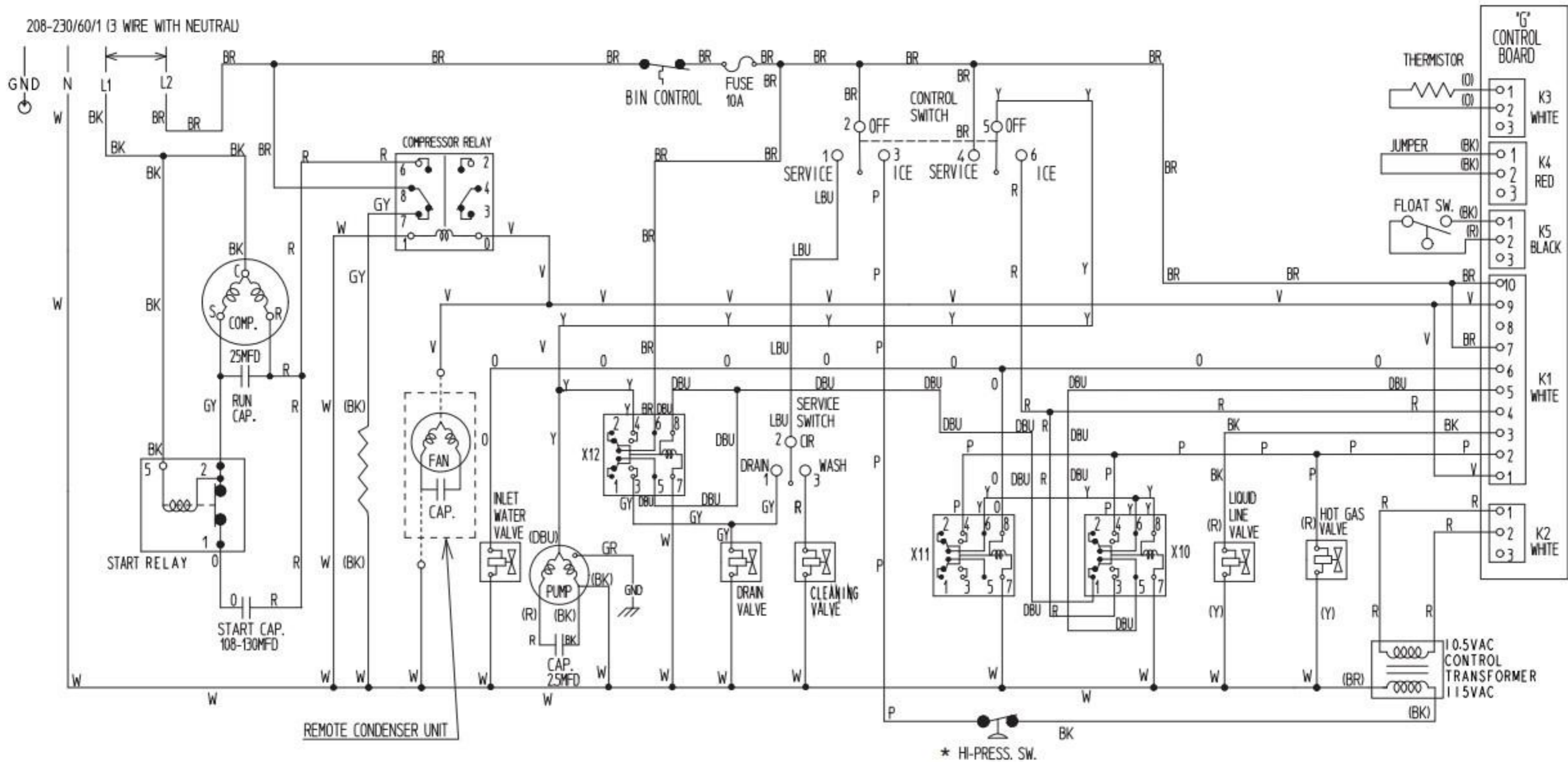
MODEL	1	2	3	4	5	6	7	8	9	10
KML-631MRH	OFF	OFF	OFF	OFF	ON	ON	ON	OFF	OFF	ON

S5 DIP SWITCH SETTINGS

MODEL	1	2	3	4	5
KML-631MRH	OFF	OFF	OFF	OFF	OFF

X10	PUMP MOTOR RELAY
X11	INLET WATER VALVE RELAY
X12	SERVICE RELAY
X13	CRANKCASE HEATER RELAY

* High-Pressure Switch	
Remote Air-Cooled Model	
Cut-out	412 ± 21.3 PSIG
Cut-in	327 ± 21.3 PSIG



WIRE COLOR CODE

BK	BLACK	R	RED
BR	BROWN	V	VIOLET
DBU	DARK BLUE	W	WHITE
GR	GREEN	Y	YELLOW
GY	GRAY	W/BK	WHITE/BLACK
LBU	LIGHT BLUE	W/BR	WHITE/BROWN
O	ORANGE	W/BU	WHITE/BLUE
P	PINK	W/O	WHITE/ORANGE
		W/R	WHITE/RED

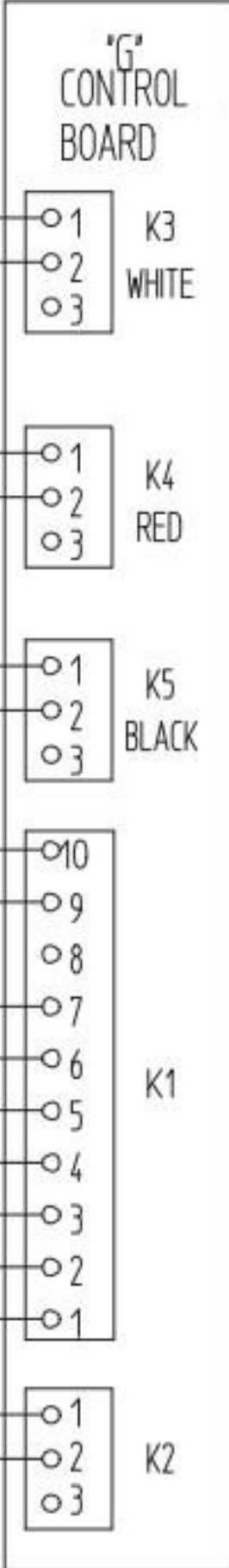
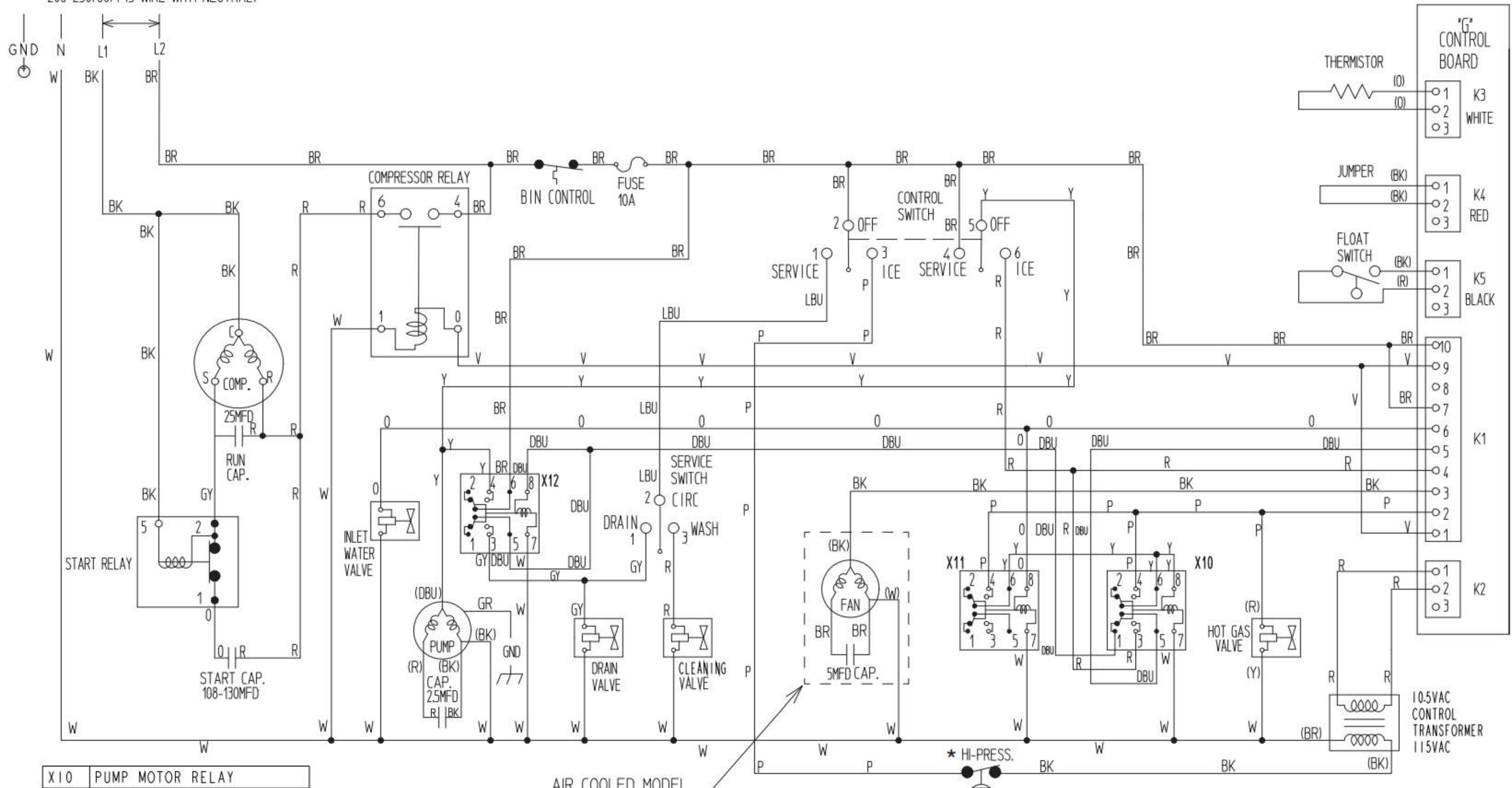
S4 DIP SWITCH SETTINGS										
MODEL	1	2	3	4	5	6	7	8	9	10
KML-63MRH	OFF	OFF	OFF	OFF	ON	ON	ON	OFF	OFF	ON

S5 DIP SWITCH SETTINGS					
MODEL	1	2	3	4	5
KML-63MRH	OFF	OFF	OFF	OFF	OFF

X10	PUMP MOTOR RELAY
X11	INLET WATER VALVE RELAY
X12	SERVICE RELAY

* High-Pressure Switch	
Remote Air-Cooled Model	
Cut-out	412 ± 21.3 PSIG
Cut-in	327 ± 21.3 PSIG

208-230/60/1 (3 WIRE WITH NEUTRAL)

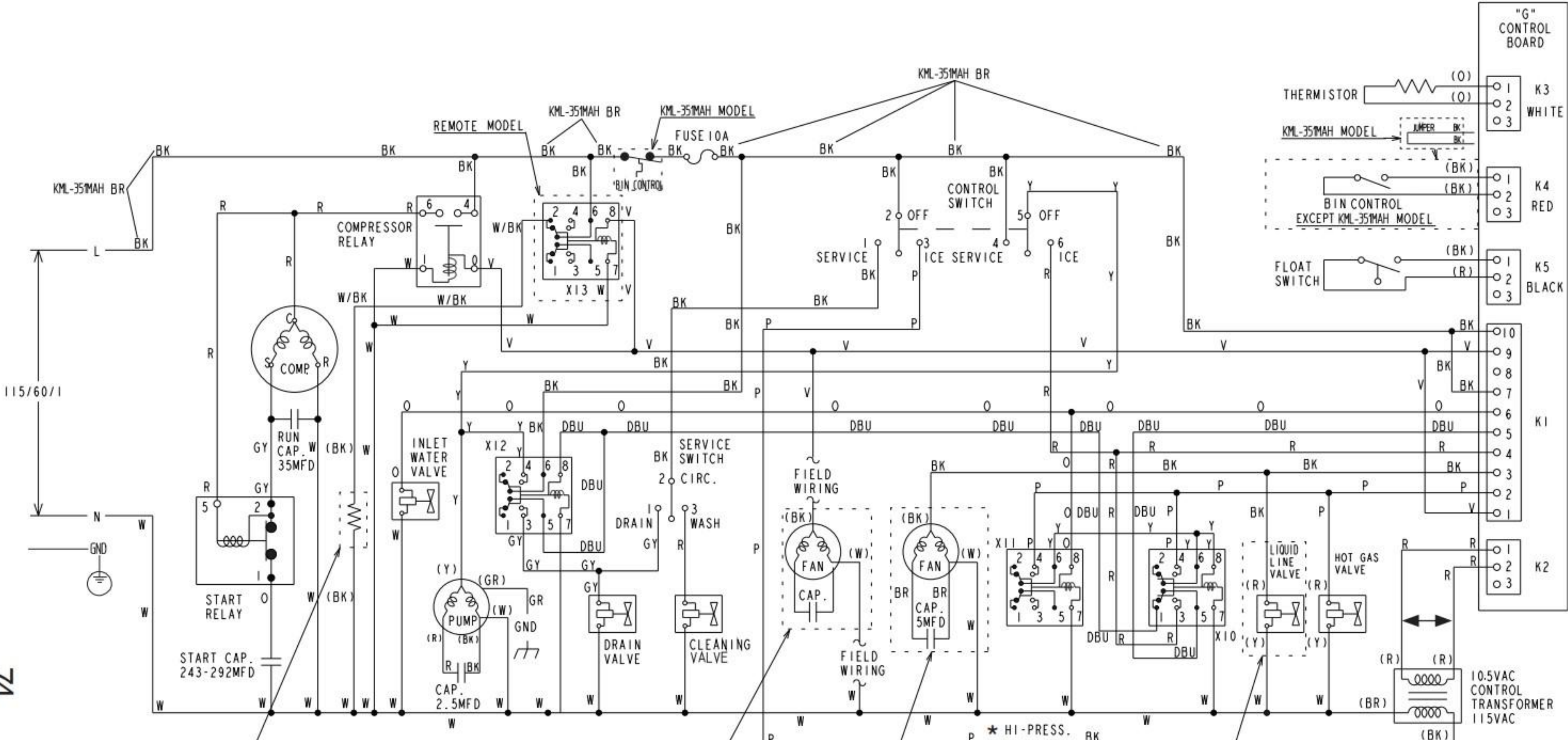


X10	PUMP MOTOR RELAY
X11	INLET WATER VALVE RELAY
X12	SERVICE RELAY

AIR COOLED MODEL

\* HI-PRESS.

10.5VAC CONTROL TRANSFORMER 115VAC



WIRE COLOR CODE

BK	BLACK
BR	BROWN
DBU	DARK BLUE
GR	GREEN
GY	GRAY
LBU	LIGHT BLUE
O	ORANGE
P	PINK
R	RED
V	VIOLET
W	WHITE
Y	YELLOW

74

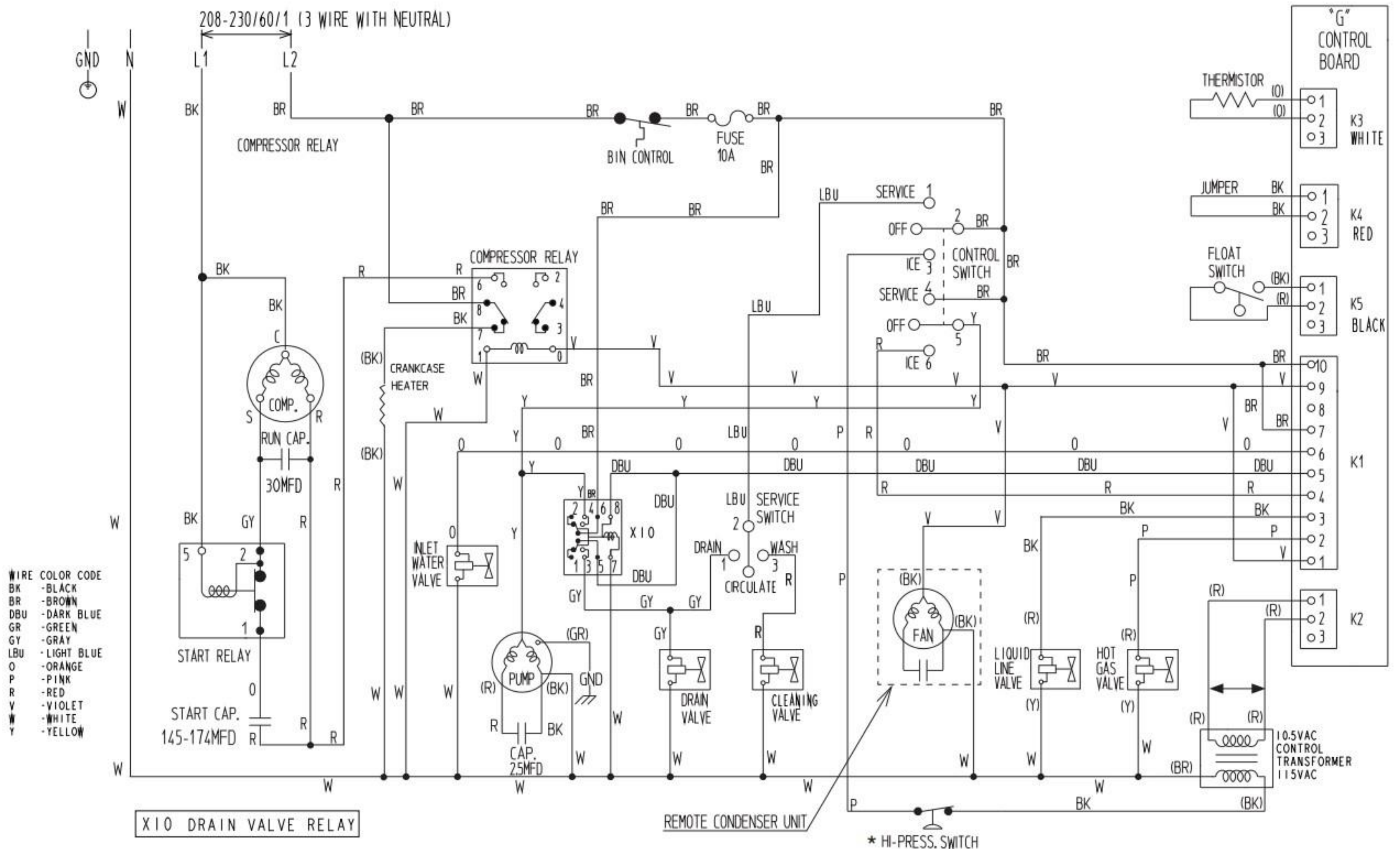
S4 DIP SWITCH SETTING

MODEL	1	2	3	4	5	6	7	8	9	10
KML-351MAH	OFF	OFF	OFF	OFF	OFF	OFF	ON	OFF	OFF	ON
KMD-460MAH	OFF	OFF	OFF	OFF	ON	ON	ON	OFF	OFF	OFF
KMD-460MWH	OFF	OFF	OFF	OFF	ON	ON	ON	OFF	OFF	OFF
KMD-530MAH	OFF	OFF	OFF	OFF	ON	ON	ON	OFF	OFF	OFF
KMD-530MRH	OFF	OFF	OFF	OFF	ON	ON	ON	OFF	OFF	OFF
KMD-530MWH	OFF	OFF	OFF	OFF	ON	ON	ON	OFF	OFF	OFF

S5 DIP SWITCH SETTING

MODEL	1	2	3	4	5
ALL	OFF	OFF	OFF	OFF	OFF

X10	PUMP MOTOR RELAY
X11	INLET WATER VALVE RELAY
X12	SERVICE RELAY
X13	CRANKCASE HEATER RELAY



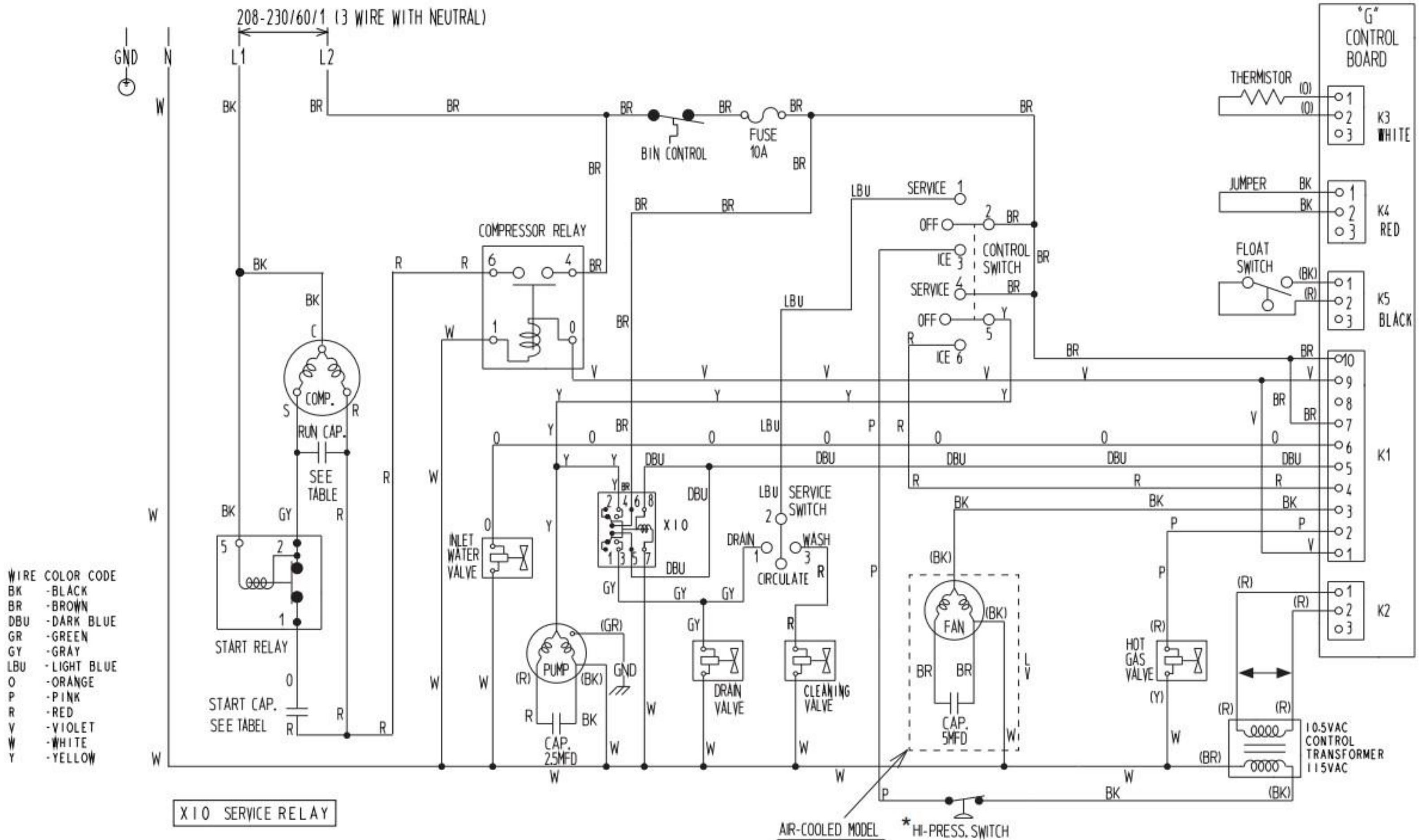
X10 DRAIN VALVE RELAY

REMOTE CONDENSER UNIT

S4 DIP SWITCH SETTING										
MODEL	1	2	3	4	5	6	7	8	9	10
KML-631MRH	ON	OFF	OFF	OFF	ON	ON	OFF	OFF	OFF	ON

S5 DIP SWITCH SETTING				
1	2	3	4	5
OFF	OFF	OFF	OFF	OFF

* High-Pressure Switch	
Remote Air-Cooled Model	
Cut-out	412 $\pm$ <sub>0</sub> <sup>21.3</sup> PSIG
Cut-in	327 $\pm$ 21.3 PSIG



- WIRE COLOR CODE
- BK -BLACK
  - BR -BROWN
  - DBU -DARK BLUE
  - GR -GREEN
  - GY -GRAY
  - LBU -LIGHT BLUE
  - O -ORANGE
  - P -PINK
  - R -RED
  - Y -VIOLET
  - W -WHITE
  - Y -YELLOW

X10 SERVICE RELAY

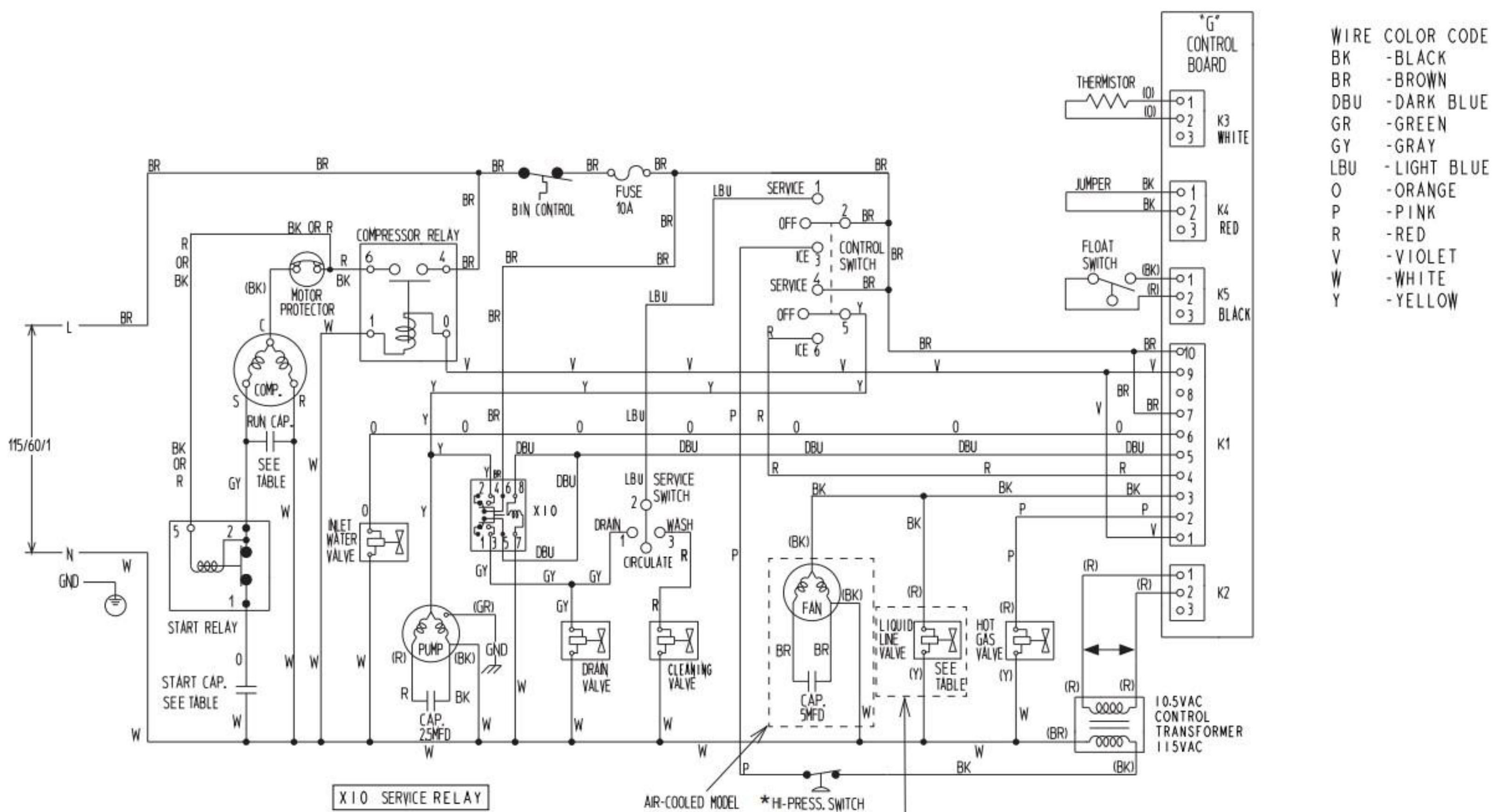
AIR-COOLED MODEL \* HI-PRESS. SWITCH

COMP. RUN / START CAP. TABLE			
MODEL	AUX. CODE	RUN CAP.	START CAP.
KML-631MAH	ALL	30MFD	145-174MFD
KML-631MWH			

S4 DIP SWITCH SETTING										
MODEL	1	2	3	4	5	6	7	8	9	10
ALL	ON	OFF	OFF	OFF	ON	ON	OFF	OFF	OFF	ON

S5 DIP SWITCH SETTING					
MODEL	1	2	3	4	5
ALL	OFF	OFF	OFF	OFF	OFF

* High-Pressure Switch		
	Air-Cooled Model	Water-Cooled Model
Cut-out	412± <sup>21.3</sup> <sub>0</sub> PSIG	384± <sup>21.3</sup> <sub>0</sub> PSIG
Cut-in	327±21.3 PSIG	284±21.3 PSIG



S4 DIP SWITCH SETTING											
MODEL	AUX.CODE	1	2	3	4	5	6	7	8	9	10
KML-250MAH	B-1 and Later	OFF	OFF	OFF	ON	ON	ON	OFF	OFF	ON	OFF
KML-250MWH	B-1 and Later	OFF	OFF	OFF	ON	ON	ON	OFF	OFF	OFF	ON
KML-351MWH	C-1 and Later	ON	OFF	ON	ON	OFF	OFF	OFF	OFF	OFF	ON
KML-451MAH	B-1 and Later	OFF	OFF	OFF	OFF	OFF	OFF	OFF	OFF	OFF	ON
KML-451MWH	B-1 and Later	ON	OFF	OFF	OFF	ON	ON	OFF	OFF	OFF	ON

S5 DIP SWITCH SETTING					
MODEL	1	2	3	4	5
ALL	OFF	OFF	OFF	OFF	OFF

LIQUID LINE VALVE	
MODEL	AUX.CODE
KML-250M_H	ALL
KML-351MWH	

COMP. RUN / START CAP. TABLE			
MODEL	AUX.CODE	RUN CAP.	START CAP.
KML-250MAH	ALL	20MFD	72-86MFD
KML-250MWH			
KML-351MWH			
KML-351MAH	SEE PARTS LIST		
KML-451MAH	R-0,T-0, T-2,U-0	15MFD, 370VAC	243-292MFD, 115VAC
KML-451MWH			