

Hoshizaki America, Inc.

Professional Series Refrigerated Kitchen Equipment

Models

PTR1SSE-FGFG

PTR1SSE-FSFS

PTR1SSE-HGHG

PTR1SSE-HGHS

PTR1SSE-HSHS



“A Superior Degree
of Reliability”

www.hoshizaki.com

PARTS LIST



Number: 71328
Issued: 6-24-2011
Revised: 3-21-2016

CONTENTS

Auxiliary Codes.....	3
Note About Ordering Parts	3
A. Main Assembly	4
B. Refrigeration Circuit.....	6
C. Control Box Assembly	8
D. Door-Right Hinged	9
Full Glass: PTR1SSE-FGFG	9
Full Solid: PTR1SSE-FSFS	11
Half Glass: PTR1SSE-HGHG, PTR1SSE-HGHS.....	13
Half Solid: PTR1SSE-HSHS, PTR1SSE-HGHS.....	15
E. Accessories & Labels	17

Auxiliary Codes

PTR1SSE-FGFG

V-5 June 2010
B-5 June 2012
D-5 January 2014
E-5 February 2015

PTR1SSE-HGHG

V-5 June 2010
A-5 January 2011
D-5 October 2014
E-5 March 2015

PTR1SSE-HGHS

C-5 October 2013
D-5 May 2014
E-5 May 2015

PTR1SSE-FSFS

V-5 May 2010
A-5 January 2011
B-5 May 2012
C-5 January 2013
D-5 August 2014
E-5 April 2015

PTR1SSE-HSHS

V-5 September 2010
A-5 January 2011
B-5 April 2012
C-5 May 2013
E-6 May 2015

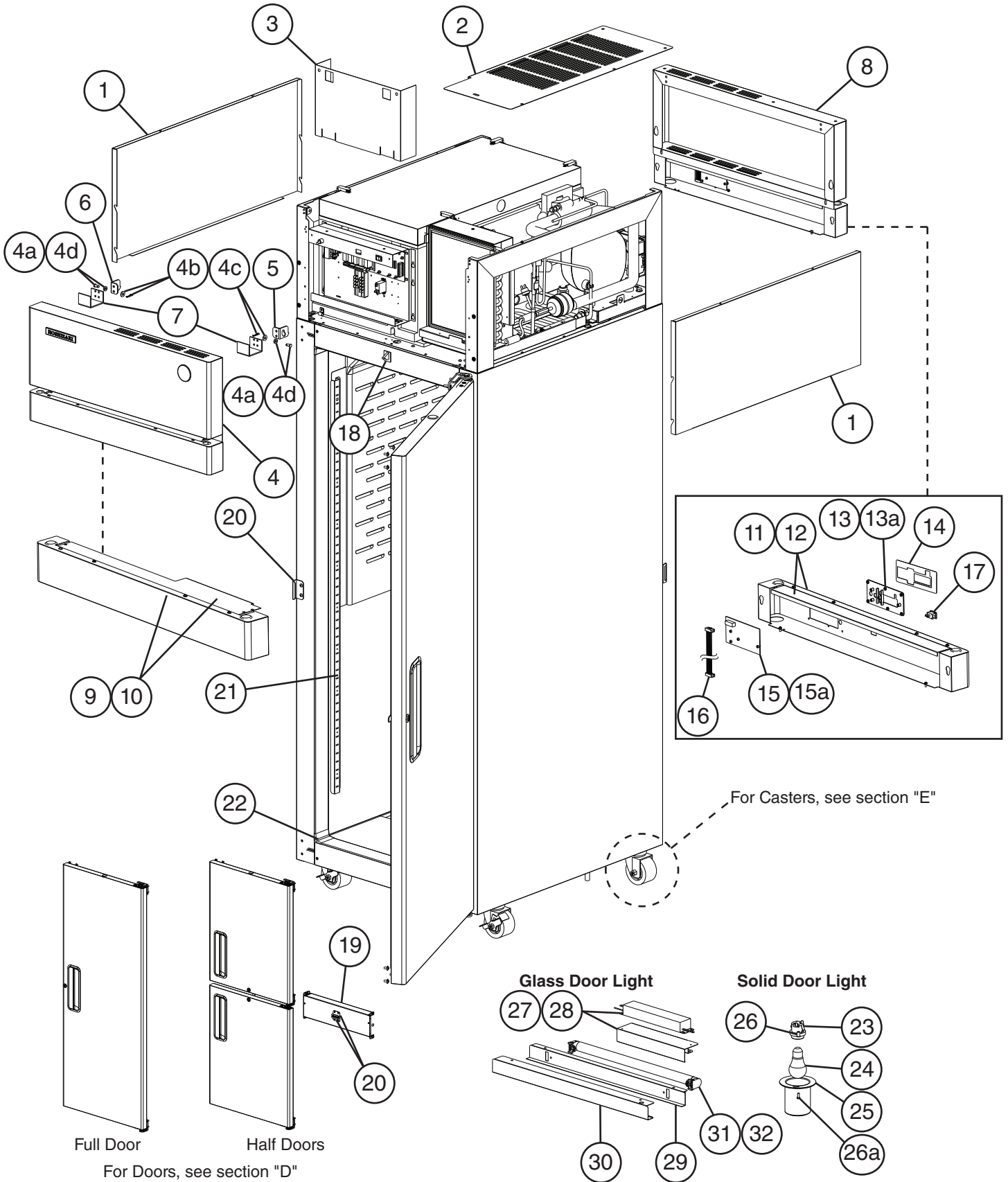
Auxiliary Code Breakdown

The auxiliary code is the first two characters in the serial number. The first character indicates the year. Years progress or regress in alphabetical order. The series runs from "A" through "V" and the letters "I" and "O" are skipped. The second character indicates significant part changes within a year. Base is "5" and this number advances for each change. In cases where there is a letter in parentheses, this designates the month. This is the last character in the serial number. The series runs from "(A)" through "(M)" and the letter "(I)" is skipped. This designation is only included when identifying a parts change within an auxiliary code.

Note About Ordering Parts

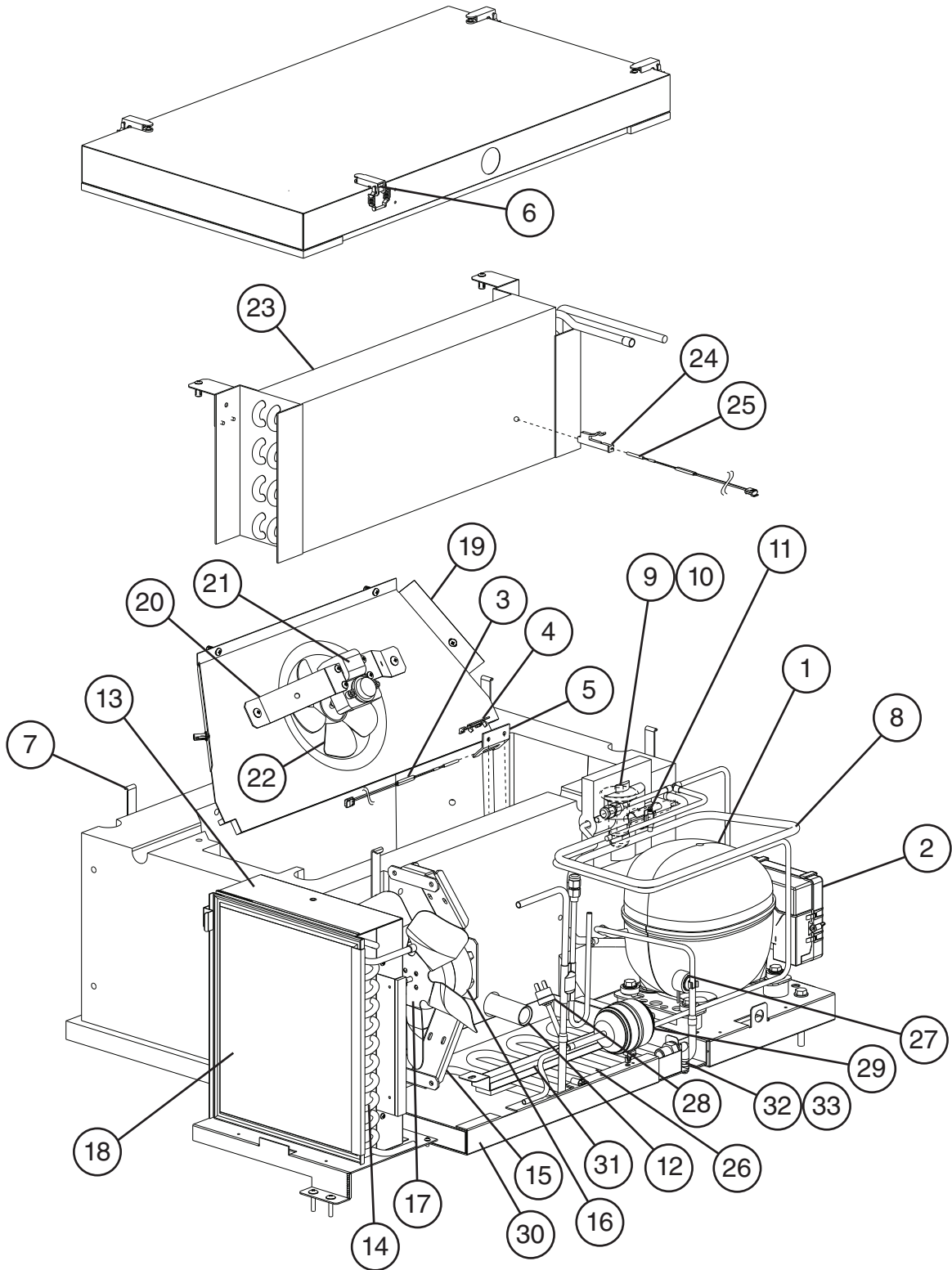
Most assemblies cannot be ordered as complete units; parts in the assemblies generally must be ordered separately.

A. Main Assembly
PTR1SSE-XXXX
 V-5 to E-6



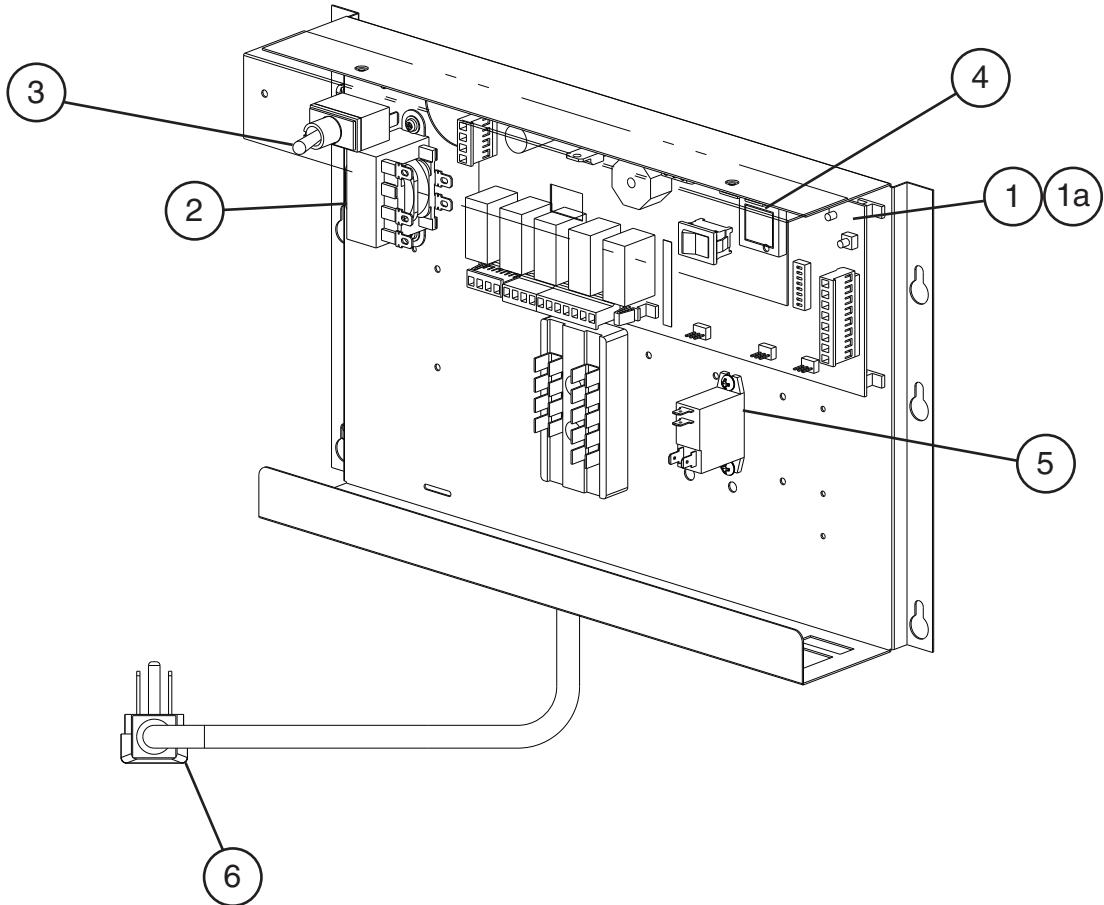
Title: A. Main Assembly Model: PTR1SSE-XXXX											
Index No.	Description	Material or Model Number	Part Number	V-5 to E-6	Required Number						
1	Side Panel		2A1800-01	2							
2	Top Cover		2A5970-01	1							
3	Control Box Cover		2A1031-01	1							
4	Front Hinged Panel		1A0624-01	1							
4a	Clevis Pin		8907-0102	2							
4b	Cotter Pin		8907-0103	2							
4c	Flat Washer		4A0665-03	2							
4d	Hinge Spacer		4A2473-01	2							
5	Front Panel Right Hinge		4A2154-01	1							
6	Front Panel Left Hinge		4A2153-01	1							
7	Hinge Channel		4A2170-01	2							
8	Front Stationary Panel		4A4261-01	1							
9	Front Control Panel		1A0760-03	1							
10	Cover Wires		2A1033-01	1							
11	Rear Control Panel	HGHS, HSHS, HGHG	1A0760-04	1							
		FGFG, FSFS	1A0760-01	1							
12	Cover Wires		3A2577-01	1							
13	Display Board		2A0883-01	1							
13a	Palnut		4A1398-01	6							
14	Display Label		3A5788-01	1							
15	Display Board Mount		3A0823-01	1							
15a	Nylon Screw		4A1397-01	4							
16	Ribbon Cable		4A1106-03	1							
17	Rocker Switch (fluorescent light)	Half Door	4A0418-01	1							
18	Door Switch	Full Door	3A1826-01	2							
		Half Door		4							
19	Horizontal Mullion (includes item 20)	Half Door	2A2592G01	2							
20	Strike Plate	Full Door	4A4587-01	2							
		Half Door		4							
21	Pilaster		3A0145-01	4							
22	Corner Cover	Full Door	3A1751-01	8							
		Half Door		16							
23	Incandescent Light Holder	Solid Door	4A2862-01	1							
24	Incandescent Light Bulb		4A2420-01	1							
25	Incandescent Light Shield		4A0465-01	1							
26	Threaded Insert		4A0839-01	4							
26a	Cheese Head Screw		7C52-0512	2							
27	Fluorescent Light Ballast		Glass Door	4A4350-01	1						
28	Fluorescent Light Ballast Bracket	3A4695-01		1							
29	Fluorescent Light Mount Bracket	2A4476-01		1							
30	Fluorescent Light Sleeve Bracket	2A4477-01		1							
31	Fluorescent Lamp	4A2787-01		1							
32	Fluorescent Bulb Mount	4A4346-01		2							

B. Refrigeration Circuit
PTR1SSE-XXXX
V-5 to E-6



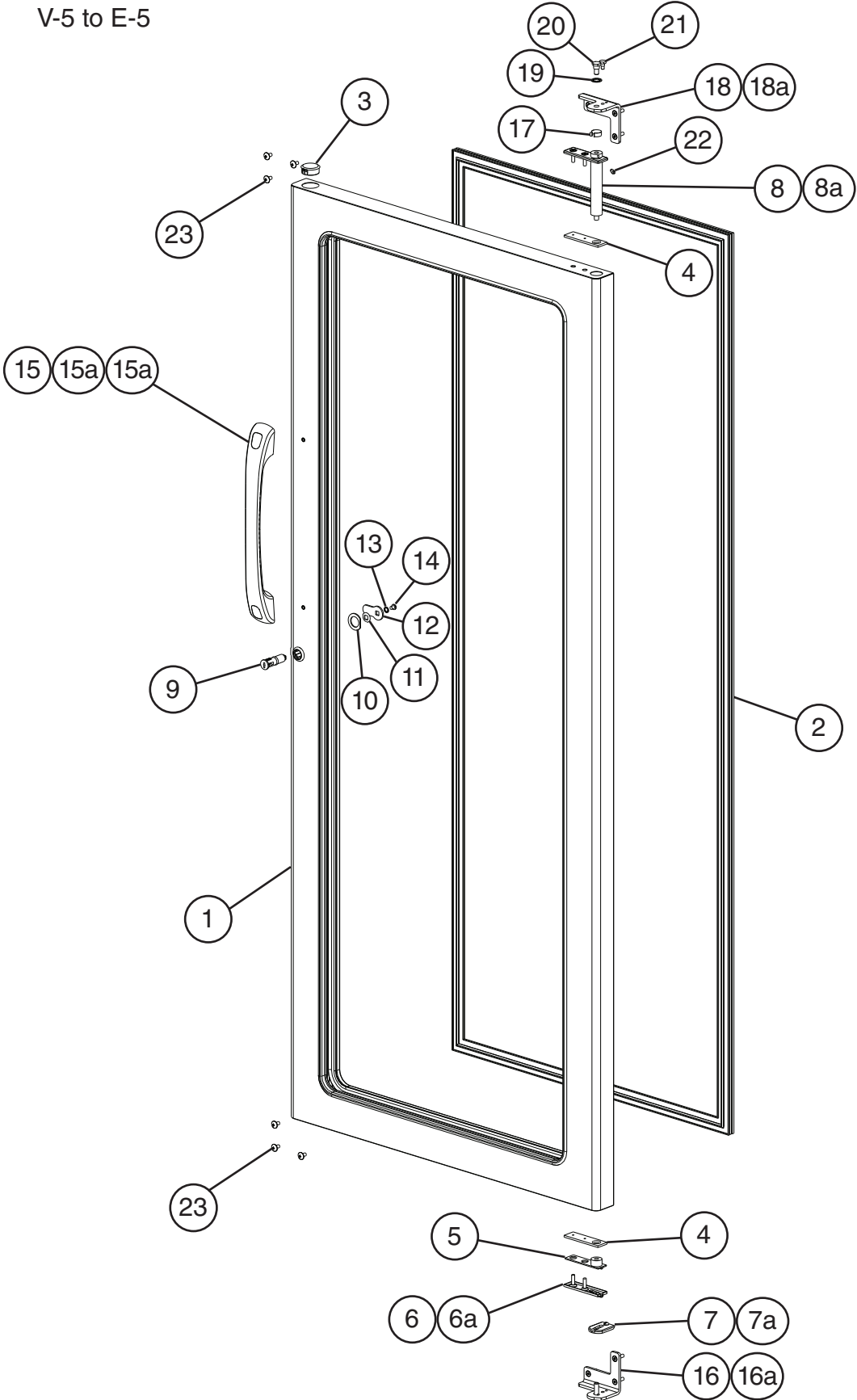
Title: B. Refrigeration Circuit Model: PTR1SSE-XXXX												
Index No.	Description	Material or Model Number	Part Number	V-5 to E-6	Required Number							
1	Compressor		4A4648-01	1								
2	Electronic Unit		4A4673-01	1								
3	Cabinet Thermistor		4A1429-01	1								
4	Cabinet Thermistor Clip Bracket A		433920-01	1								
5	Cabinet Thermistor Clip Bracket B		433964-01	1								
6	Draw Latch		4A3988-01	4								
7	Catch Latch		4A3987-01	4								
8	Heat Exchanger		3A5089G01	1								
9	Thermostatic Expansion Valve		4A4597-01	1								
10	Thermostatic Expansion Valve Cover		4A4646-01	1								
11	Thermostatic Expansion Valve Bulb Holder		3A0107-01	1								
12	Evaporator Drain Pipe		4A0831-01	1								
13	Condenser Shroud		3A6732G01	1								
14	Condenser		2A0623-01	1								
15	Condenser Fan Bracket		3A1564-01	1								
16	Condenser Fan Motor		4A4620-01	1								
17	Condenser Fan Blade		3A0436-01	1								
18	Condenser Filter		3A0277-01	1								
19	Evaporator Fan Shroud		3A6731G01	1								
20	Evaporator Fan Motor Bracket		3A2501-01	2								
21	Evaporator Fan Motor		4A4942-01	1								
22	Evaporator Fan Blade		4A5438-01	1								
23	Evaporator		2A1262-01	1								
24	Thermistor Clip		320418-01	1								
25	Defrost Thermistor		4A1428-01	1								
26	Condensate Coil		3A1644-01	1								
27	Clogged Filter Thermostat		4A0484-01	1								
28	High-Pressure Switch		4A2516-01	1								
29	Drier		4A0924-01	1								
30	Evaporator Drain Pan		2A5958-01	1								
31	Condensate Coil Strap		3A0232-03	1								
32	Drain Fitting		4A2792-01	1								
33	Rubber Gasket		413854-03	1								

C. Control Box Assembly
PTR1SSE-XXXX
 V-5 to E-6



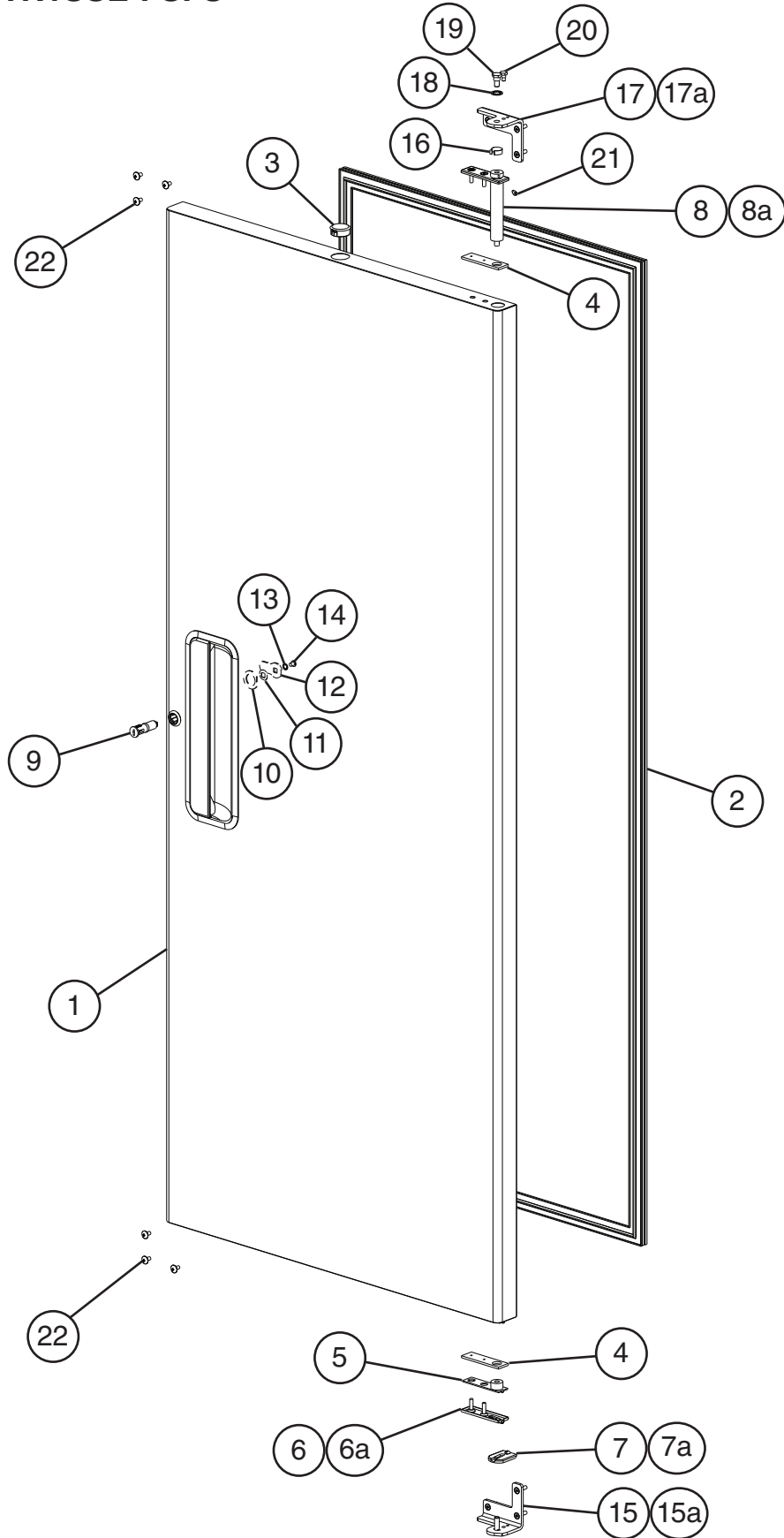
Title: C. Control Box Assembly		Model: PTR1SSE-XXXX		Required Number										
Index No.	Description	Material or Model Number	Part Number	V-5 to E-6										
1	Control Board		2A2862-24	1										
1a	Control Board Support		4A0336-03	6										
2	Control Transformer		3A1759-01	1										
3	Power Switch		4A0424-01	1										
4	Perimeter Heater Switch		4A0418-01	1										
5	Compressor Relay		4A4329-01	1										
6	Power Supply Cord		4A0560-01	1										

D. Door-Right Hinged
Full Glass: PTR1SSE-FGFG
 V-5 to E-5



Title: D. Door-Right Hinged Model: Full Glass: PTR1SSE-FGFG												
Index No.	Description	Material or Model Number	Part Number	V-5 to E-5	Required Number							
1	Right Full Glass Door Assembly (includes items 2 through 8a)		2A4424G01	1								
2	Door Gasket		3A0273-01	1								
3	Locking Hole Plug		4A0586-06	1								
4	Foam Pad		4A2257-01	2								
5	Right Hinge Bottom Bushing		4A0439-01	1								
6	Male Right Hinge Bottom Plate		4A0440-01	1								
6a	Countersunk Screw	5x20, SS	7C42-0520	2								
7	Female Right Hinge Bottom Plate		4A0441-01	1								
7a	Stop Plate Screw		4A0483-01	1								
8	Right Hinge Spring Cartridge		4A0438-01	1								
8a	Countersunk Screw	5x20, SS	7C42-0520	2								
9	Door Lock Tumbler (includes key 4A0460-01)		4A0462-01	1								
10	Door Lock Washer		4A0670-01	1								
11	Door Lock Stop Washer		4A0458-01	1								
12	Door Lock Cam		4A0228-01	1								
13	Door Lock Lock Washer		4A0459-01	1								
14	Door Lock Screw		4A0461-01	1								
15	Handle		115365-01	1								
15a	Bolt Screw		449879-08	2								
15b	Handle Cap		360643-01	2								
16	Lower Right (LR) Door Hinge Bracket		3A1626-01	1								
16a	Countersunk Screw	5x20, SS	7C42-0520	3								
17	Hinge Bushing Cover		4A0445-01	1								
18	Upper Right (UR) Door Hinge Bracket		3A1580-01	1								
18a	Countersunk Screw	5x20, SS	7C42-0520	3								
19	Hinge Lock Washer		4A0553-01	1								
20	Top Hinge Pivot Pin		4A2179-01	1								
21	Top Hinge Stop Pin		4A2180-01	1								
22	Hinge Tension Screw		4A0446-01	1								
23	Truss Head Screw (filler)	5x10, SS	7C32-0510	6								

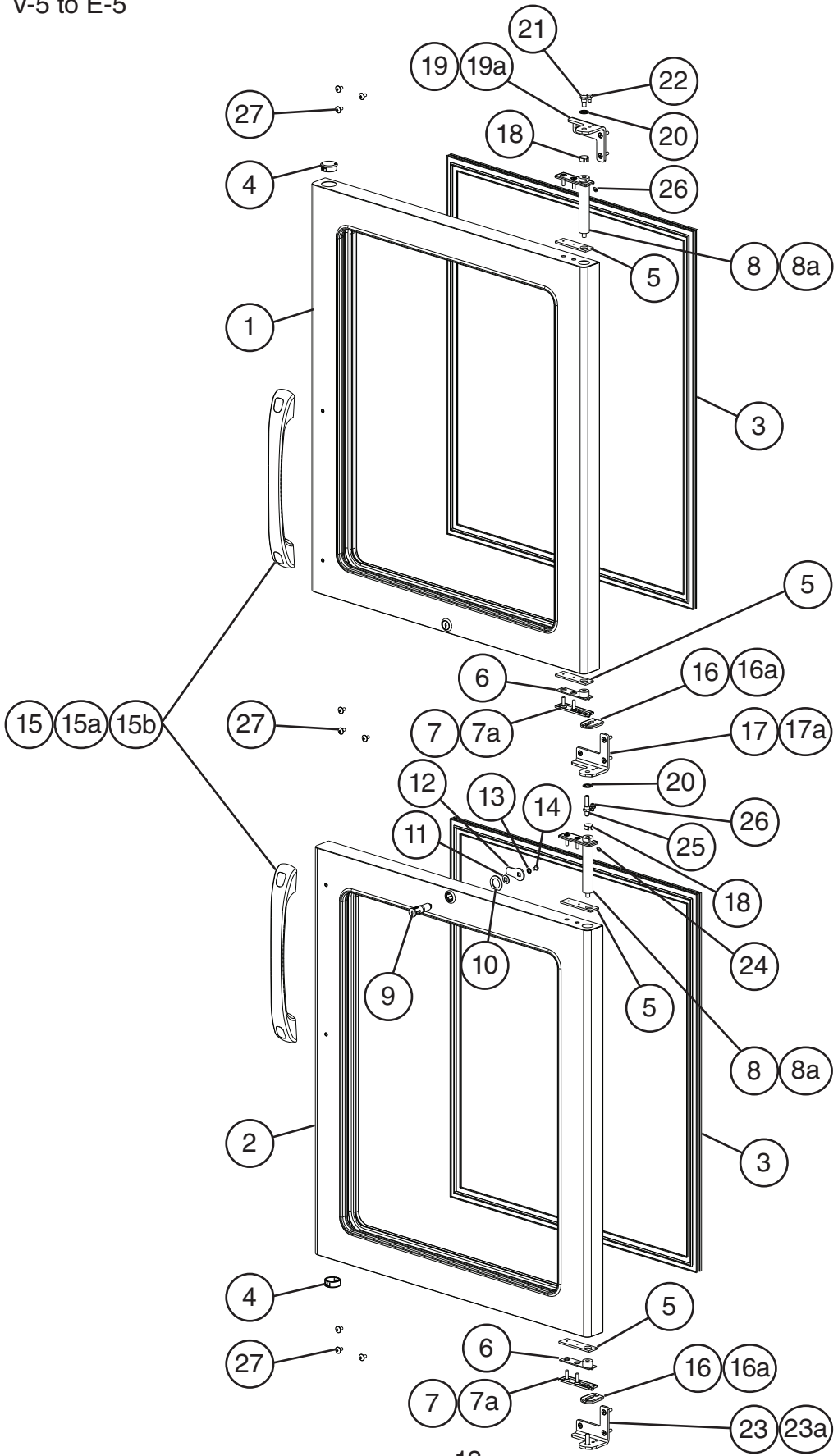
D. Door-Right Hinged
Full Solid: PTR1SSE-FSFS
V-5 to E-5



Title: D. Door-Right Hinged Model: Full Solid: PTR1SSE-FSFS

Index No.	Description	Material or Model Number	Part Number	Required Number									
				V-5 to A-5 (H)	A-5 (J) to E-5								
1	Right Full Solid Door Assembly (includes items 2 through 8a)		2A3940G01	1	-								
			2A6545G01		1								
2	Door Gasket		3A2073-01	1	-								
			2A5192-07		1								
3	Locking Hole Plug		4A0586-06	1	1								
4	Foam Pad		4A2257-01	2	2								
5	Right Hinge Bottom Bushing		4A0439-01	1	1								
6	Male Right Hinge Bottom Plate		4A0440-01	1	1								
6a	Countersunk Screw	5x20, SS	7C42-0520	2	2								
7	Female Right Hinge Bottom Plate		4A0441-01	1	1								
7a	Stop Plate Screw		4A0483-01	1	1								
8	Right Hinge Spring Cartridge		4A0438-01	1	1								
8a	Countersunk Screw	5x20, SS	7C42-0520	2	2								
9	Door Lock Tumbler (includes key 4A0460-01)		4A0462-01	1	1								
10	Door Lock Washer		4A0670-01	1	1								
11	Door Lock Stop Washer		4A0458-01	1	1								
12	Door Lock Cam		4A0228-01	1	1								
13	Door Lock Lock Washer		4A0459-01	1	1								
14	Door Lock Screw		4A0461-01	1	1								
15	Lower Right (LR) Door Hinge Bracket		3A1626-01	1	1								
15a	Countersunk Screw	5x20, SS	7C42-0520	3	3								
16	Hinge Bushing Cover		4A0445-01	1	1								
17	Upper Right (UR) Door Hinge Bracket		3A1580-01	1	1								
17a	Countersunk Screw	5x20, SS	7C42-0520	3	3								
18	Hinge Lock Washer		4A0553-01	1	1								
19	Top Hinge Pivot Pin		4A2179-01	1	1								
20	Top Hinge Stop Pin		4A2180-01	1	1								
21	Hinge Tension Screw		4A0446-01	1	1								
22	Truss Head Screw (filler)	5x10, SS	7C32-0510	6	6								

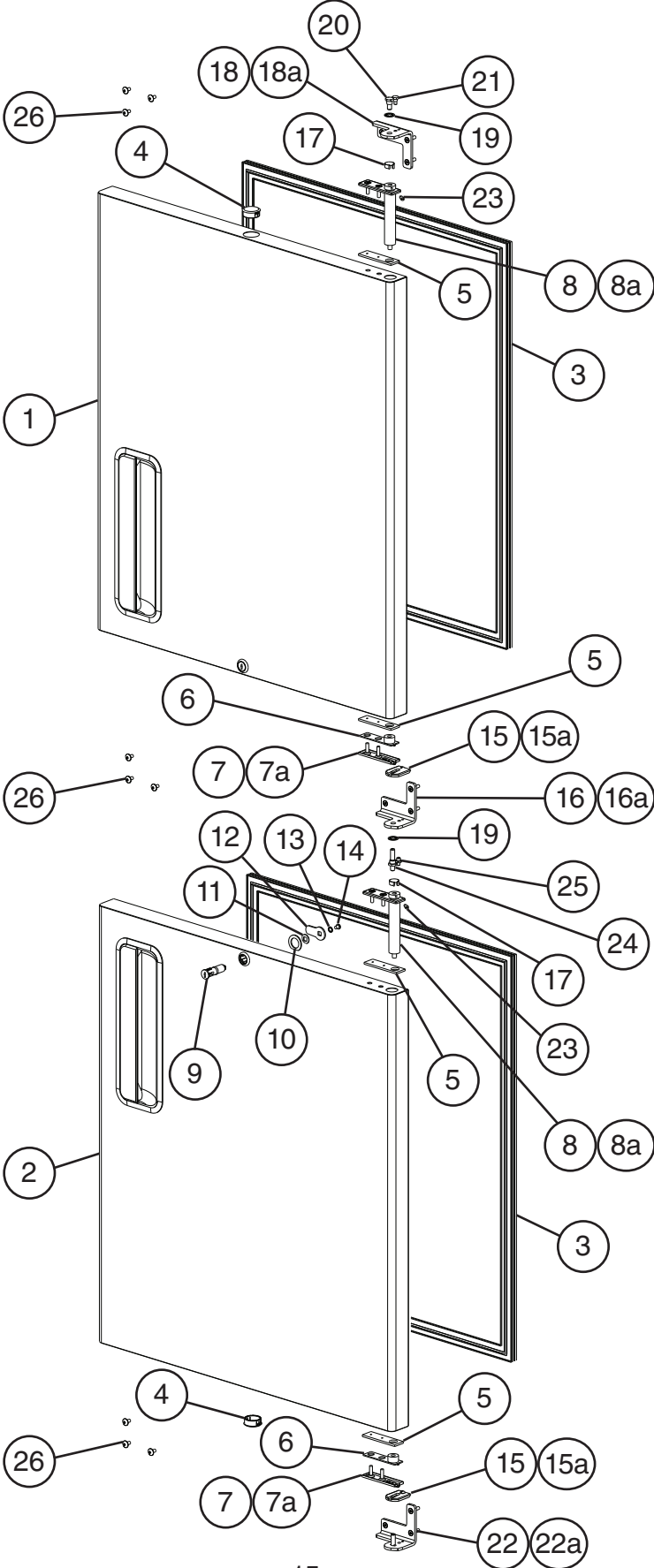
D. Door-Right Hinged
Half Glass: PTR1SSE-HGHG, PTR1SSE-HGHS
 V-5 to E-5



Title: D. Door-Right Hinged Model: Half Glass: PTR1SSE-HGHG, PTR1SSE-HGHS (Glass)												
Index No.	Description	Material or Model Number	Part Number	V-5 to E-5	Required Number							
1	Upper Right/Lower Left Glass Door Assembly (includes half the quantities of items 3 through 8a)		2A4419G01	1								
2	Lower Right/Upper Left Glass Door Assembly (includes half the quantities of items 3 through 8a)		2A4420G01	1								
3	Door Gasket		3A0273-02	2								
4	Locking Hole Plug		4A0586-06	2								
5	Foam Pad		4A2257-01	4								
6	Right Hinge Bottom Bushing		4A0439-01	2								
7	Male Right Hinge Bottom Plate		4A0440-01	2								
7a	Countersunk Screw	5x20, SS	7C42-0520	4								
8	Right Hinge Spring Cartridge		4A0438-01	2								
8a	Countersunk Screw	5x20, SS	7C42-0520	4								
9	Door Lock Tumbler (with key 4A0460-01)		4A0462-01	2								
10	Door Lock Washer		4A0670-01	2								
11	Door Lock Stop Washer		4A0458-01	2								
12	Door Lock Cam		4A0228-01	2								
13	Door Lock Lock Washer		4A0459-01	2								
14	Door Lock Screw		4A0461-01	2								
15	Handle		115365-01	2								
15a	Bolt Screw		449879-08	4								
15b	Handle Cap		360643-01	4								
16	Female Right Hinge Bottom Plate		4A0441-01	2								
16a	Stop Plate Screw		4A0483-01	2								
17	Upper Left (UL) Door Hinge Bracket		3A1581-01	1								
17a	Countersunk Screw		7C42-0520	3								
18	Hinge Bushing Cover		4A0445-01	2								
19	Upper Right (UR) Door Hinge Bracket		3A1580-01	1								
19a	Countersunk Screw	5x20, SS	7C42-0520	3								
20	Hinge Lock Washer		4A0553-01	2								
21	Top Hinge Pivot Pin		4A2179-01	1								
22	Top Hinge Stop Pin		4A2180-01	1								
23	Lower Right (LR) Door Hinge Bracket		3A1626-01	1								
23a	Countersunk Screw		7C42-0520	3								
24	Hinge Tension Screw		4A0446-01	2								
25	Bottom Hinge Pivot Pin		4A1735-01	1								
26	Bottom Hinge Stop Pin		4A1734-01	1								
27	Truss Head Screw (filler)	5x10, SS	7C32-0510	9								

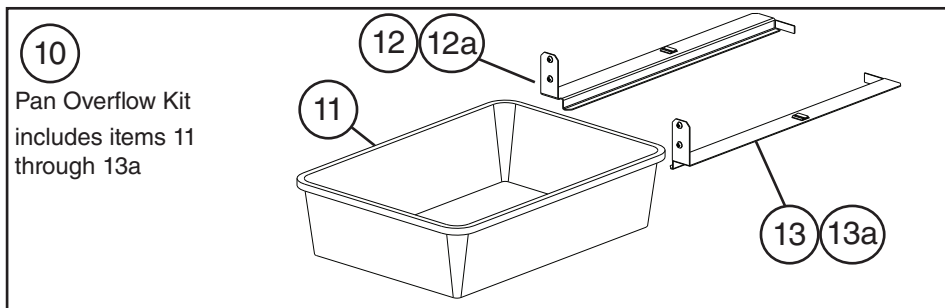
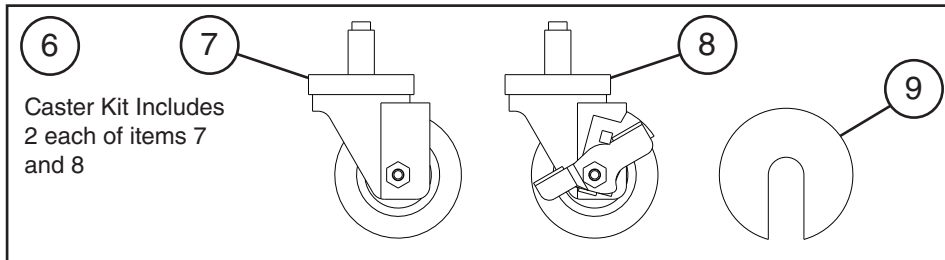
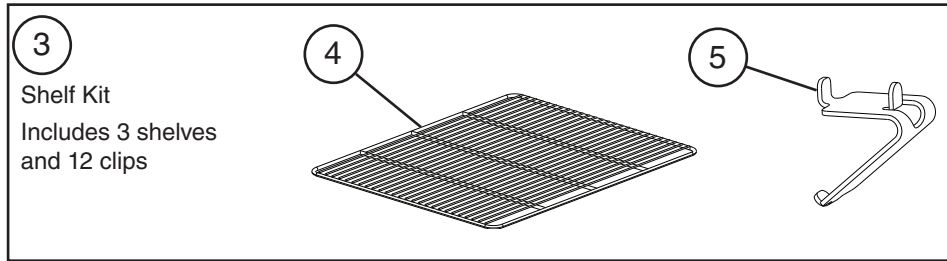
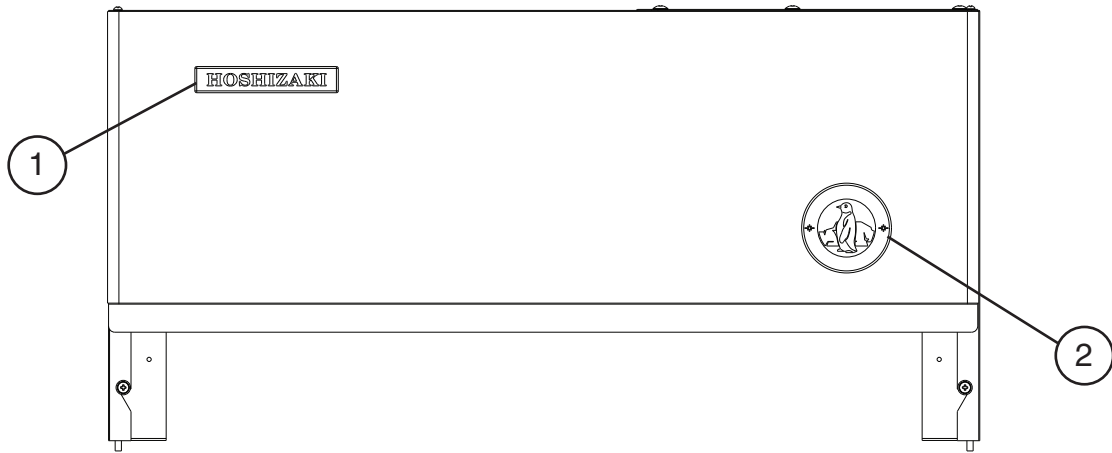
D. Door-Right Hinged
Half Solid: PTR1SSE-HSHS, PTR1SSE-HGHS

V-5 to E-6



Title: D. Door-Right Hinged Model: Half Solid: PTR1SSE-HSHS, PTR1SSE-HGHS (Solid)												
Index No.	Description	Material or Model Number	Part Number	Required Number								
				V-5 to A-5 (H)	A-5 (J) to E-6							
1	Upper Right/Lower Left Door Assembly (includes half the quantity of items 3 through 8a)		2A3934G01	1	-							
			2A6549G01		1							
2	Lower Right/Upper Left Door Assembly (includes half the quantity of items 3 through 8a)		2A3935G01	1	-							
			2A6550G01		1							
3	Door Gasket		3A0273-02	2	-							
			2A5192-08		2							
4	Locking Hole Plug		4A0586-06	2	2							
5	Foam Pad		4A2257-01	4	4							
6	Right Hinge Bottom Bushing		4A0439-01	2	2							
7	Male Right Hinge Bottom Plate		4A0440-01	2	2							
7a	Countersunk Screw	5x20, SS	7C42-0520	4	4							
8	Right Hinge Spring Cartridge		4A0438-01	2	2							
8a	Countersunk Screw	5x20, SS	7C42-0520	4	4							
9	Door Lock Tumbler (with key 4A0460-01)		4A0462-01	2	2							
10	Door Lock Washer		4A0670-01	2	2							
11	Door Lock Stop Washer		4A0458-01	2	2							
12	Door Lock Cam		4A0228-01	2	2							
13	Door Lock Lock Washer		4A0459-01	2	2							
14	Door Lock Screw		4A0461-01	2	2							
15	Female Right Hinge Bottom Plate		4A0441-01	2	2							
15a	Stop Plate Screw		4A0483-01	2	2							
16	Upper Left (UL) Door Hinge Bracket		3A1581-01	1	1							
16a	Countersunk Screw	5x20, SS	7C42-0520	3	3							
17	Hinge Bushing Cover		4A0445-01	2	2							
18	Upper Right (UR) Door Hinge Bracket		3A1580-01	1	1							
18a	Countersunk Screw	5x20, SS	7C42-0520	3	3							
19	Hinge Lock Washer		4A0553-01	2	2							
20	Hinge Pivot Pin		4A2179-01	1	1							
21	Hinge Stop Pin		4A2180-01	1	1							
22	Lower Right (LR) Door Hinge Bracket		3A1626-01	1	1							
22a	Countersunk Screw	5x20, SS	7C42-0520	3	3							
23	Hinge Tension Screw		4A0446-01	2	2							
24	Hinge Pivot Pin		4A1735-01	1	1							
25	Hinge Stop Pin		4A1734-01	1	1							
26	Truss Head Screw (filler)	5x10, SS	7C32-0510	9	9							

E. Accessories & Labels
PTR1SSE-XXXX
 V-5 to E-6



Title: E. Accessories & Labels Model: PTR1SSE-XXXX											
Index No.	Description	Material or Model Number	Part Number	Required Number							
				V-5 to V-5 (H)	V-5 (J) to A-5 (H)	A-5 (J) to E-6					
1	Emblem		4A0560-01	2	2	2					
2	Penguin Label		456246-02	2	2	2					
3	Stop Shelf Packaging (includes items 4 and 5)	HS-3550	3A4447A01	1	1	1					
4	Stop Shelf		3A2515-01	3	3	3					
5	Shelf Clip		428957-01	12	12	12					
6	Leg Kit (4 pack)	HS-3512	4A0930-01	12	1	-					
	Caster Kit (includes two each of items 7 and 8)	HS-3546	4A4712G01			1					
7	Non-locking Caster		4A1347-01			2					
8	Locking Caster		4A1347-02			2					
9	Caster Shim Kit	HS-3590	4A3658-01			4					
10	Overflow Pan Kit (includes items 11 through 13a)	PTR1SSE-FGFG PTR1SSE-HGHG	3A1666A01	1	-						
11	Overflow Pan	PTR1SSE-FSFS HS-3521	4A3419G01	1							
12	Overflow Pan Bracket (A)		4A0878-01	1	-						
12a	T2 Screw		7P32-0408	2	-						
13	Overflow Pan Bracket (B)		4A0879-01	1	-						
13a	T2 Screw		7P32-0408	2	-						