



HOSHIZAKI

Parts List

Glass Door Merchandiser

Model

RM-45-SD



TABLE OF CONTENTS

	<i>Page</i>
MAIN ASSEMBLY	3, 4
EVAPORATOR ASSEMBLY	5, 6
CONDENSING UNIT ASSEMBLY	7, 8
DOOR ASSEMBLY	9, 10
DOOR ASSEMBLY <i>Right and Left Hand Door</i>	11, 12
LIGHTING SYSTEM	13, 14

NOTE:

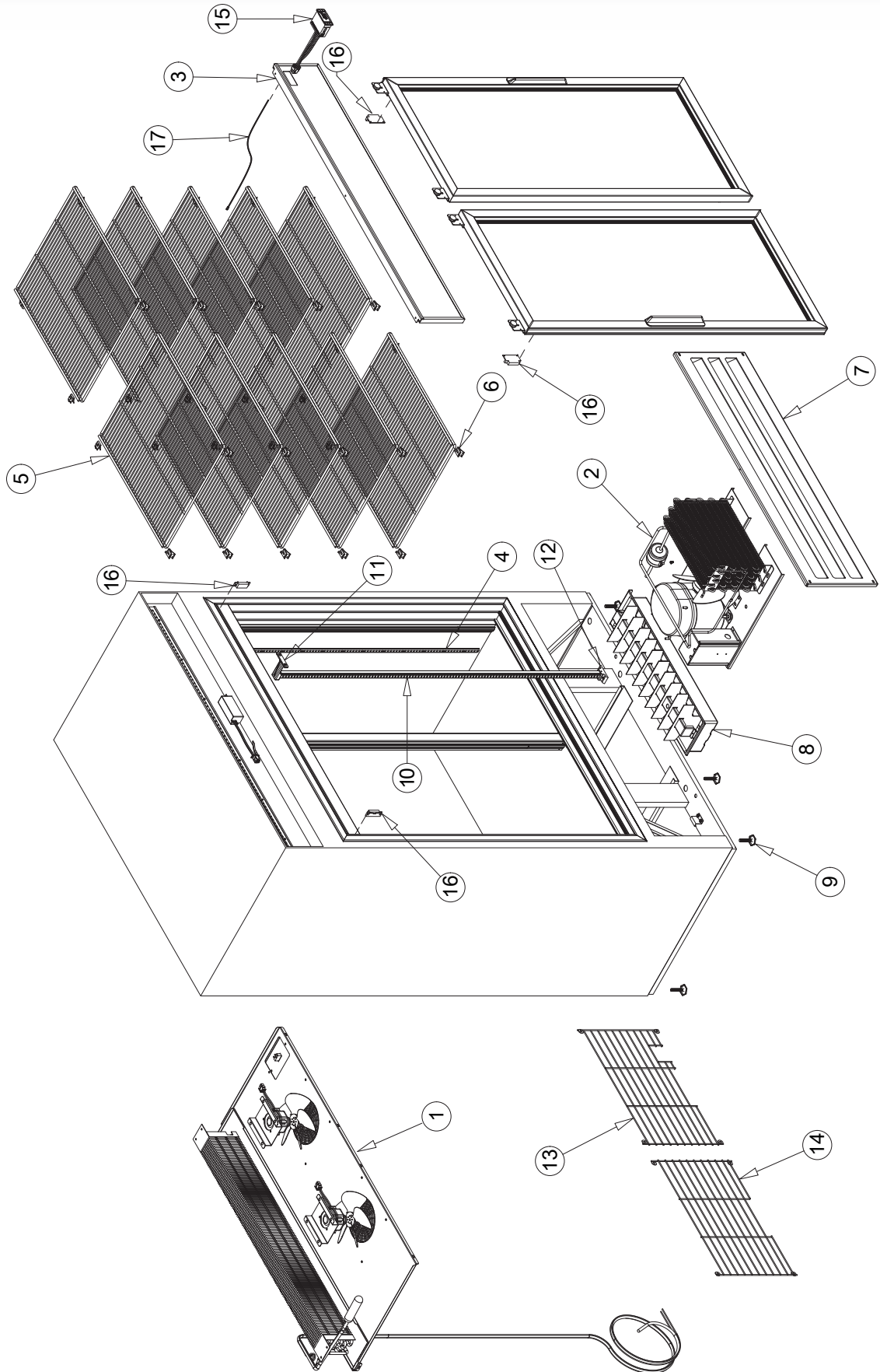
To order spare parts, always include the following information:

- *Model Number* _____
- *Serial Number* _____



HOSHIZAKI

MAIN ASSEMBLY



RM-45-SD



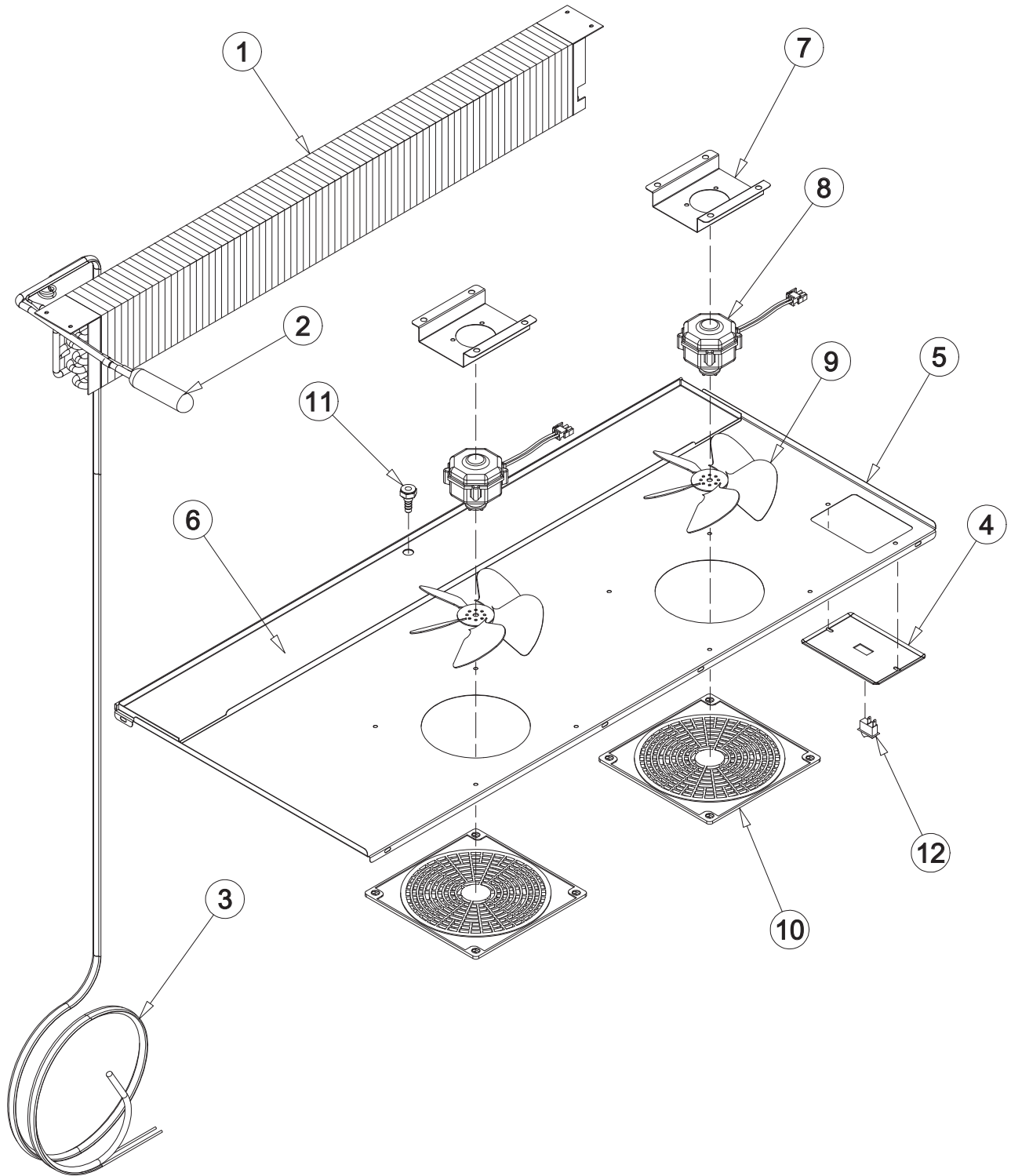
MAIN ASSEMBLY

<i>Item No.</i>	<i>Description</i>	<i>Part No.</i>	<i>Quantity per cooler</i>
1	MAIN ASSEMBLY	See pages 5 & 6	
2	CONDENSING UNIT ASSEMBLY	SC18G-R	1
3	HEADER SIGN	MARCO-ROT-RM45SD	1
4	PILASTER 48"	PI-5	6
5	FLAT SHELF	SH-0211-HD-FE	10
6	SHELF CLIPS	CL-51-SS-E	40
7	FRONT GRILL	OT-6630	1
8	WATER DRAIN PAN	OT-FEL-001	1
9	LEGS	LG-27	8
10	PILASTER	PI-55	1
11	PILASTER POST HOLDER	PL-424-GR	1
12	PILASTER POST BASE	PL-423-GR	1
13	RIGHT BACK GRILL	SH-033-D-G-B	1
14	LEFT BACK GRILL	SH-033-I-G-B	1
15	ENERGY SAVING ELECTRONIC THERMOSTAT	CT-185-CA	1
16	MAGNETIC SWITCH (Two pieces for each code)	EL-360	2
17	AMBIENT SENSOR	CT-185-1-CA	1



HOSHIZAKI

EVAPORATOR ASSEMBLY



RM-45-SD



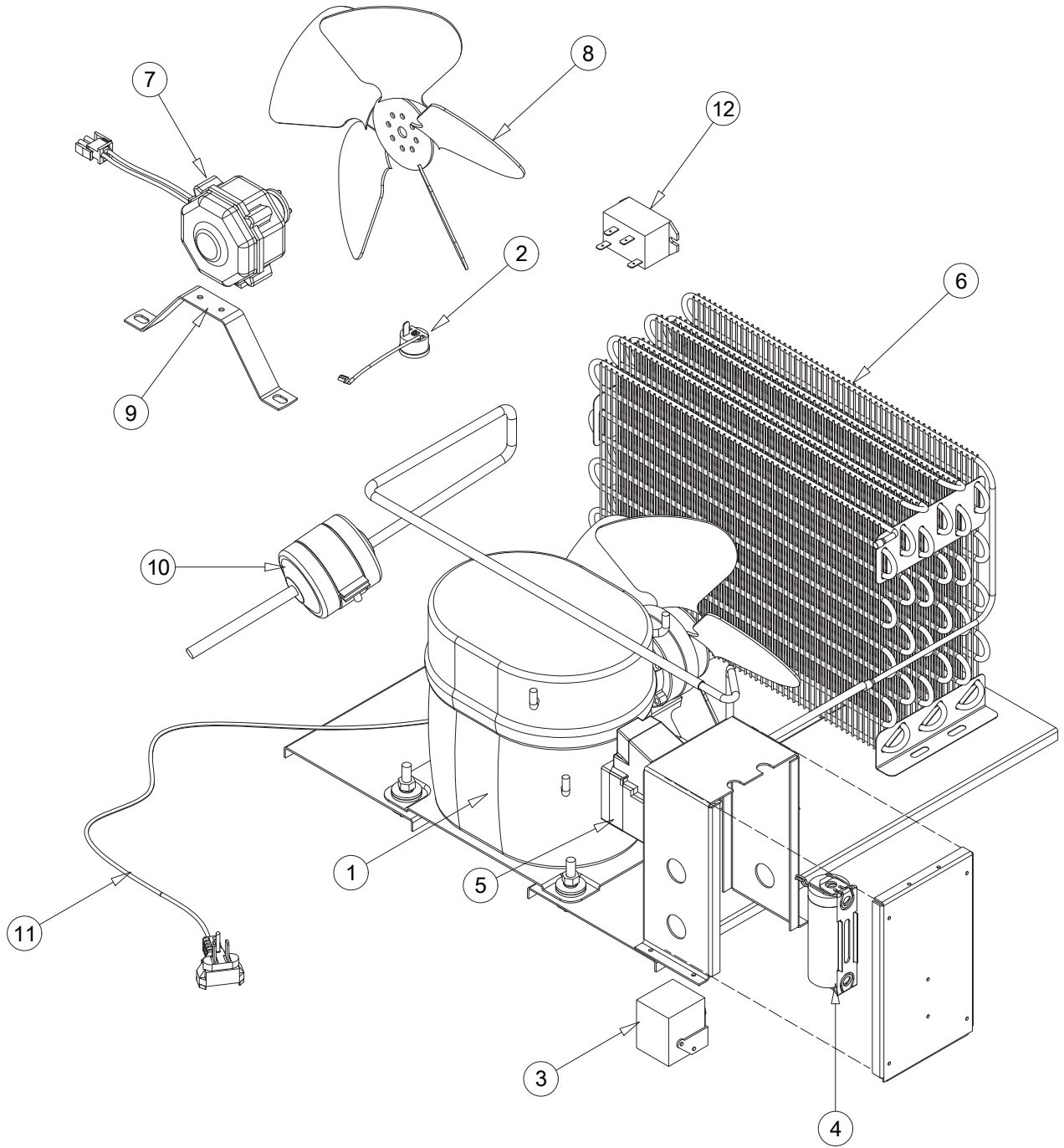
EVAPORATOR ASSEMBLY

<i>Item No.</i>	<i>Description</i>	<i>Part No.</i>	<i>Quantity per cooler</i>
1	EVAPORATOR	CO-339	1
2	ACCUMULATOR	DR-19-P	1
3	HEAT EXCHANGER	TUB-0134	1
4	SWITCH BRACKET	OT-9981	1
5	BAFFLE	OT-8437	1
6	EVAPORATOR DRAIN PAN	OT-8438	1
7	EVAPORATOR FAN MOTOR BRACKET	OT-6716	2
8	EVAPORATOR FAN MOTOR	FA-70-VU	2
9	EVAPORATOR FAN BLADE	FA-2-EBM	2
10	EVAPORATOR FAN GUARD	FA-62	2
11	PLASTIC DRAIN	DR-1-P	1
12	LIGHT SWITCH	EL-305	1



HOSHIZAKI

CONDENSING UNIT ASSEMBLY





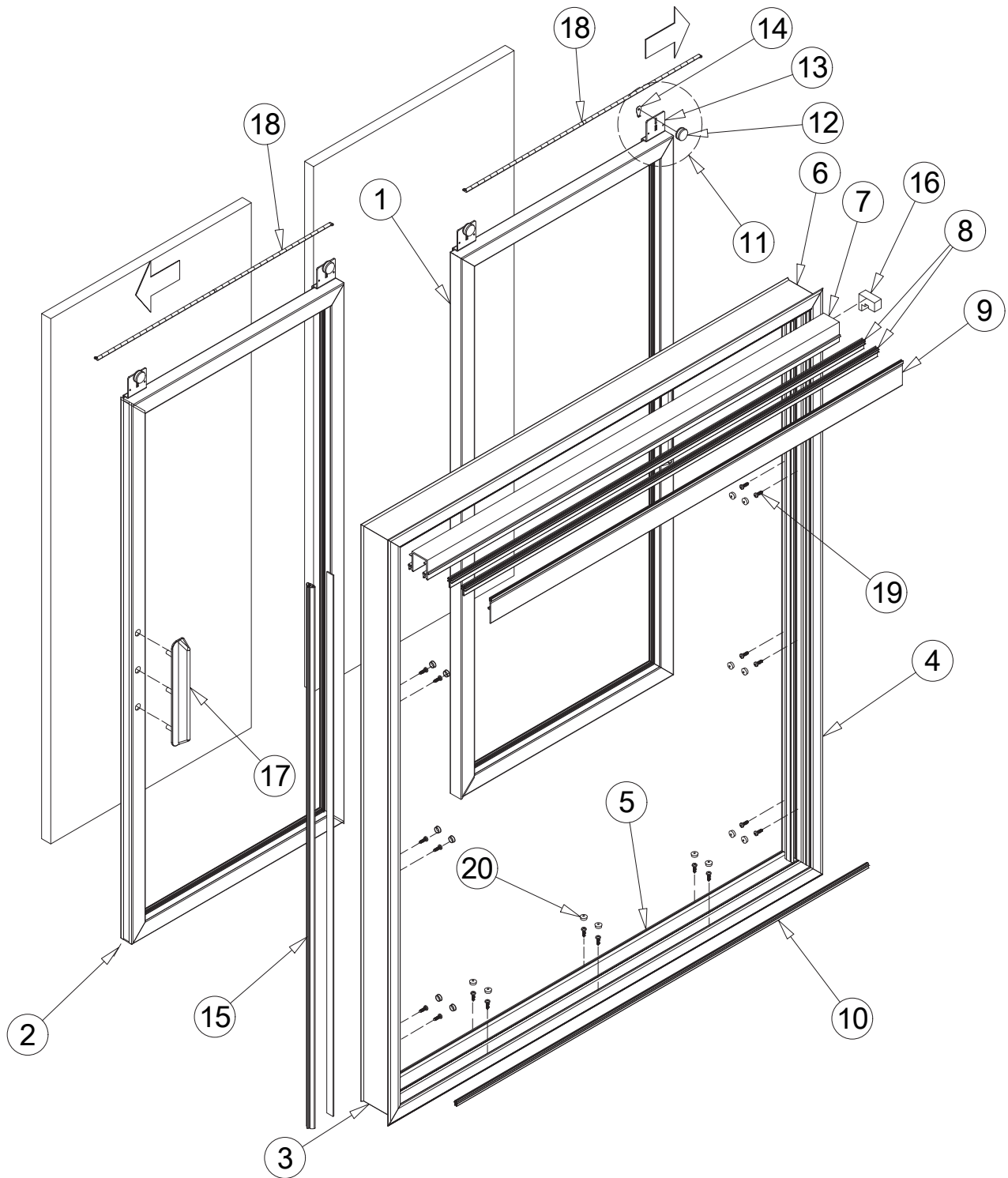
HOSHIZAKI

CONDENSING UNIT ASSEMBLY

<i>Item No.</i>	<i>Description</i>	<i>Part No.</i>	<i>Quantity per cooler</i>
1	1/2HP 115V/60HZ COMPRESSOR	SC18G	1
2	117U3212 EXTERNAL PROTECTOR	EL-1945-R	1
3	117-7441 RELAY	EL-1944-R	1
4	410 μ F 115V START CAPACITOR	CAP-117U5028	1
5	ELECTRICAL BOX	EL-1494-R	1
6	CONDENSER	CO-454	1
7	CONDENSER FAN MOTOR	FA-41	1
8	CONDENSER FAN BLADE	FA-11-WE	1
9	CONDENSER FAN MOTOR BRACKET	FA-18	1
10	DRIER	DR-404	1
11	POWER CORD	EL-1265-9	1
12	MAGNETIC CONTACTOR	EL-716-R	1



DOOR ASSEMBLY





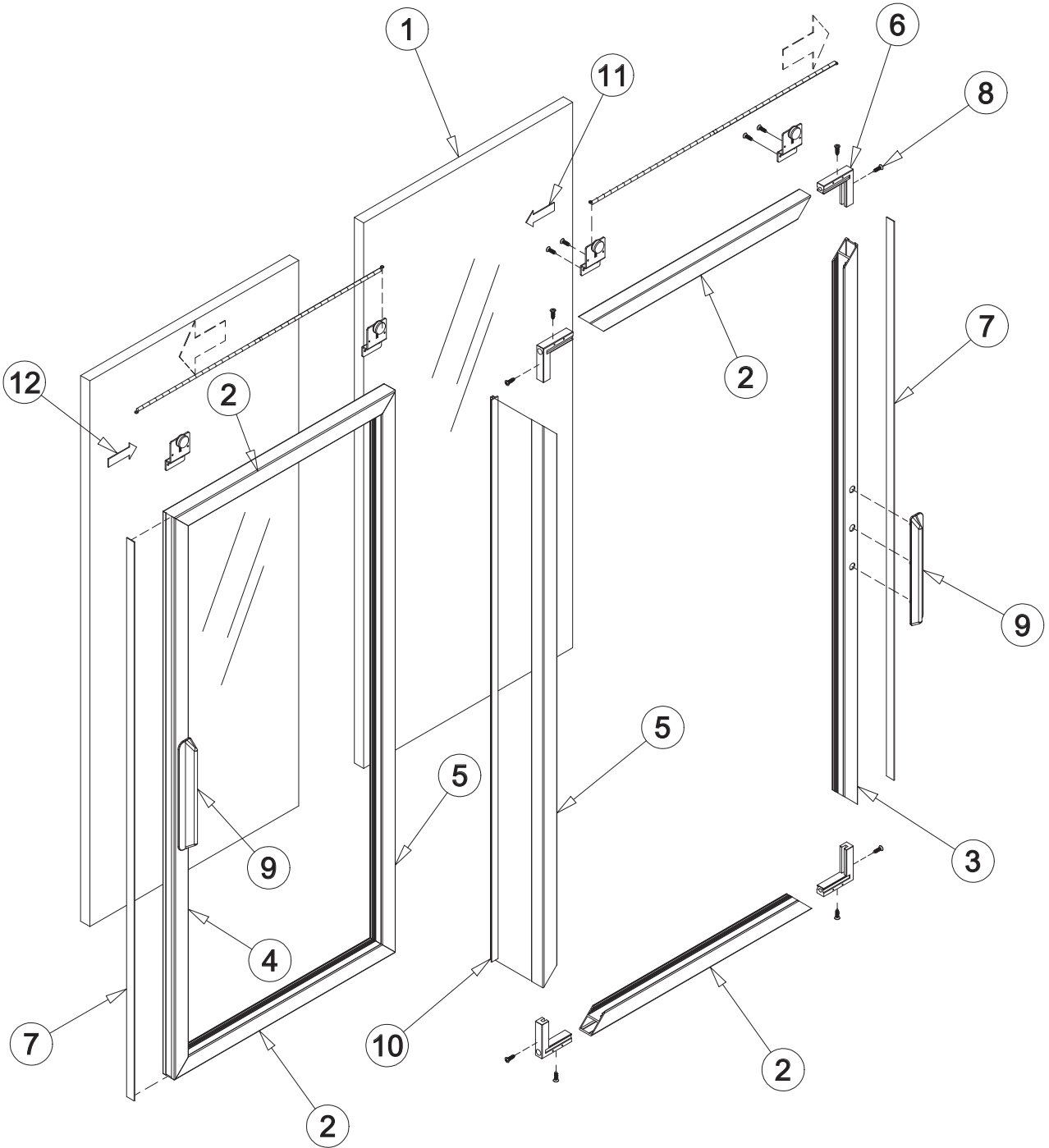
DOOR ASSEMBLY

<i>Item No.</i>	<i>Description</i>	<i>Part No.</i>	<i>Quantity per cooler</i>
1	RIGHT COMPLETE DOOR	OT-PTA-RM45SD-R	1
2	LEFT COMPLETE DOOR	OT-PTA-RM45SD-L	1
3	COMPLETE SLIDING TRACK FRAME	OT-TRACK-RM45SD	1
4	VERTICAL TRACK PROFILE	MD-328-57	2
5	BOTTOM TRACK PROFILE	MD-327-49	1
6	TOP TRACK PROFILE	MD-324-49	1
7	ALUMINUM TRACK PROFILE KIT	OT-MD-326-47	1
8	GASKET	GA-58-B-46	2
9	COVER FOR TOP TRACK PROFILE	MD-325-47-K	1
10	BELLOWS GASKET	GA-57-B-46	1
11	DOOR METAL ROLLER BRACKET KIT	OT-RO-29	4
12	DOOR METAL ROLLER	RO-29	4
13	DOOR METAL ROLLER BRACKET	OT-ES-1469	4
14	ADJUSTMENT BRACE	OT-ES-1485	4
15	VERTICAL TRACK MAGNETIC GASKET	GA-56-B-53-K	2
16	FOAM	GA-315-B	2
17	DOOR HANDLE	HA-666-K	2
18	SLIDING DOOR SPRING	SP-16	2
19	TRACK PROFILE SCREWS	SC-375-SS	18
20	CAP SCREWS	PL-191	12



DOOR ASSEMBLY

Right and Left Hand Door





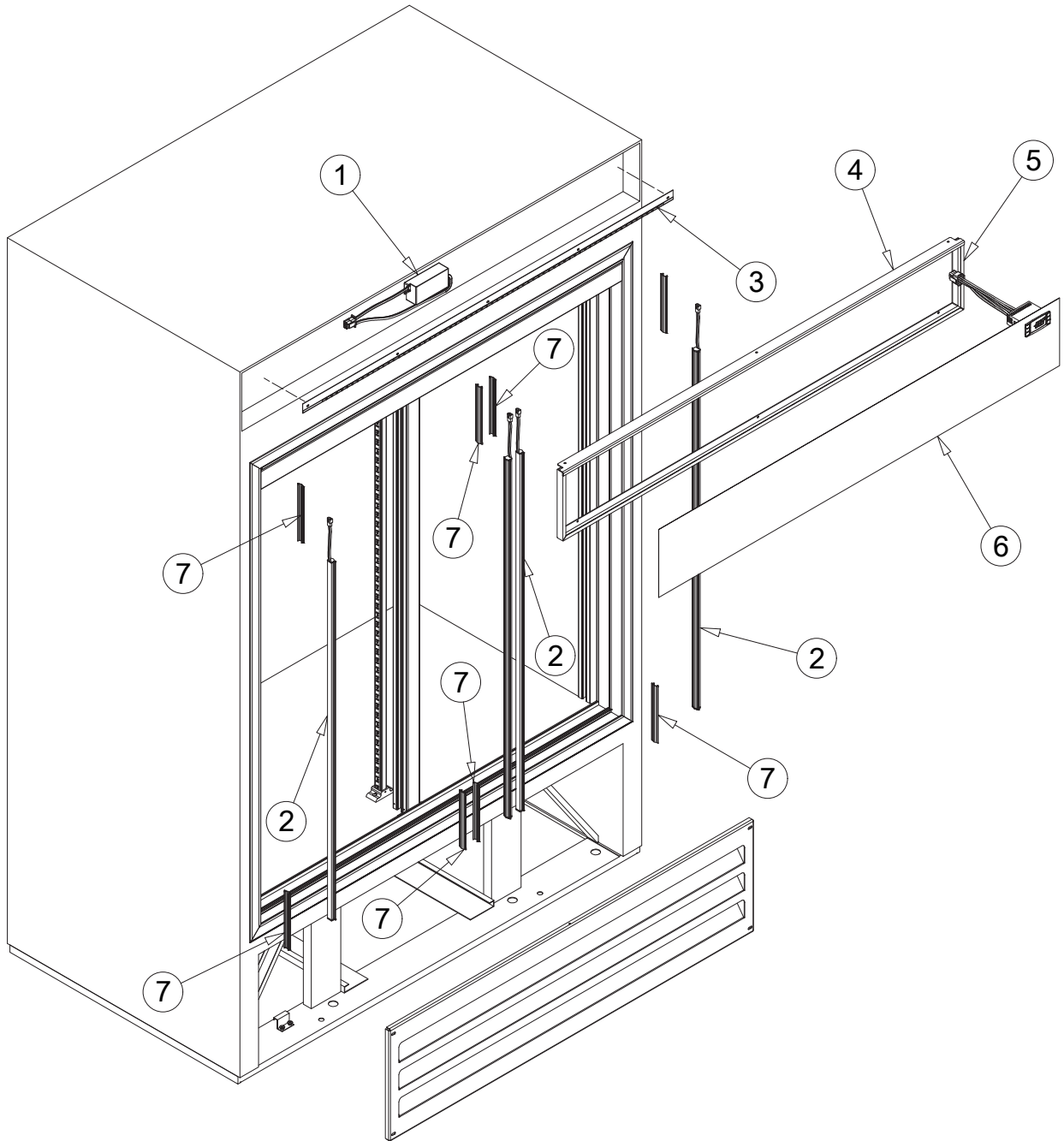
DOOR ASSEMBLY

Right and Left Hand Door

<i>Item No.</i>	<i>Description</i>	<i>Part No.</i>	<i>Quantity per cooler</i>
1	GLASS PANE	GL-549-AD-E	2
2	LOWER & UPPER DOOR PROFILE	MD-322-48	4
3	RIGHT VERTICAL DOOR PROFILE WITH HANDLE	MD-321-53-R	1
4	LEFT VERTICAL DOOR PROFILE WITH HANDLE	MD-321-53-L	1
5	RIGHT & LEFT VERTICAL DOOR PROFILE	MD-322-53	2
6	DOOR BRACKET	ESQ-020	8
7	STRIP FOR DOOR GASKET	OT-7055	2
8	SCREWS	SC-46-SS-N	24
9	DOOR HANDLE	HA-666-K	2
10	LIP SEAL	GA-59-B-52	1
11	RIGHT STICKER "SLIDE"	NP-122-G	1
12	LEFT STICKER "SLIDE"	NP-121-G	1



LIGHTING SYSTEM





LIGHTING SYSTEM

<i>Item No.</i>	<i>Description</i>	<i>Part No.</i>	<i>Quantity per cooler</i>
1	2.5 Amp. LED DRIVER	OT-EL-150-T	1
2	39 3/8" LED LAMP STRIP	EL-148	4
3	43 1/4" HIGH INTENSITY FLEXIBLE LED STRIP	OT-EL-170-43.25	1
4	SIGN TOP	OT-ES-1573	1
5	SIGN FRAME	OT-ES-1572	1
6	ACRYLIC HEADER SIGN	OT-17416	1
7	7" LED PROFILE COVER	OT-BR-253-57-7	8



HOSHIZAKI

HOSHIZAKI AMERICA, INC.

618 Hwy. 74 South, Peachtree City, GA 30269 USA (P) 770.487.2331 (F) 770.487.3360 hoshizakiamerica.com