

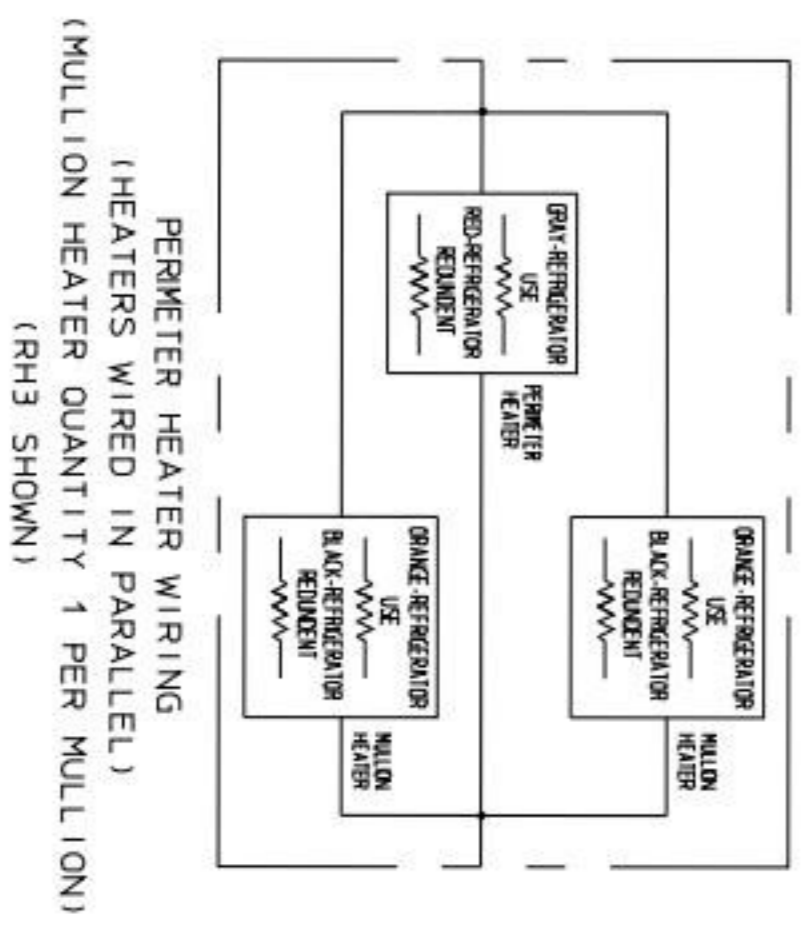
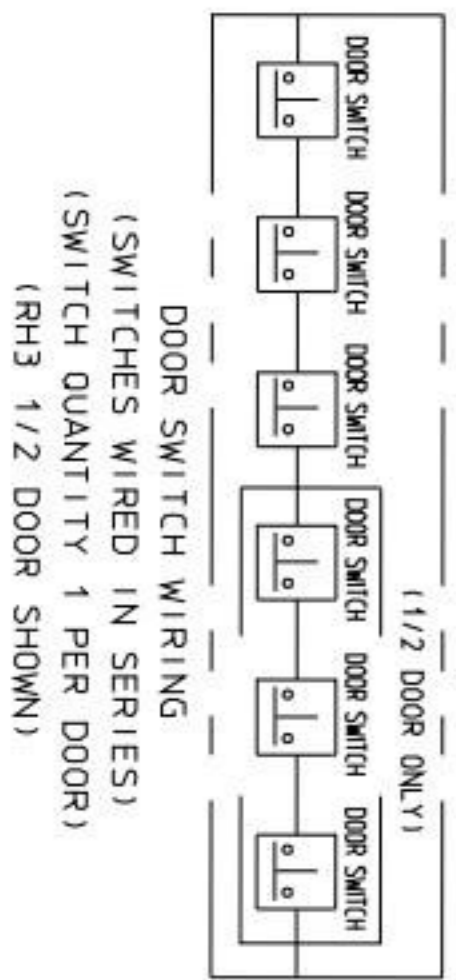
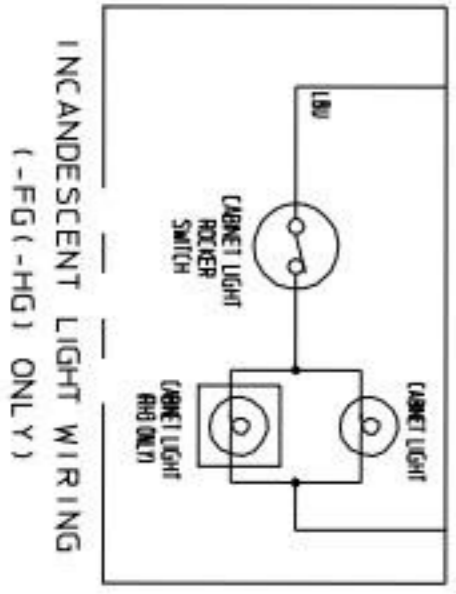
FACTORY DEFAULT DIP SWITCH SETTINGS

DIP SWITCH SETTING	NO. 1	NO. 2	NO. 3	NO. 4	NO. 5	NO. 6	NO. 7	NO. 8
	ON	OFF	OFF	OFF	OFF	OFF	OFF	OFF

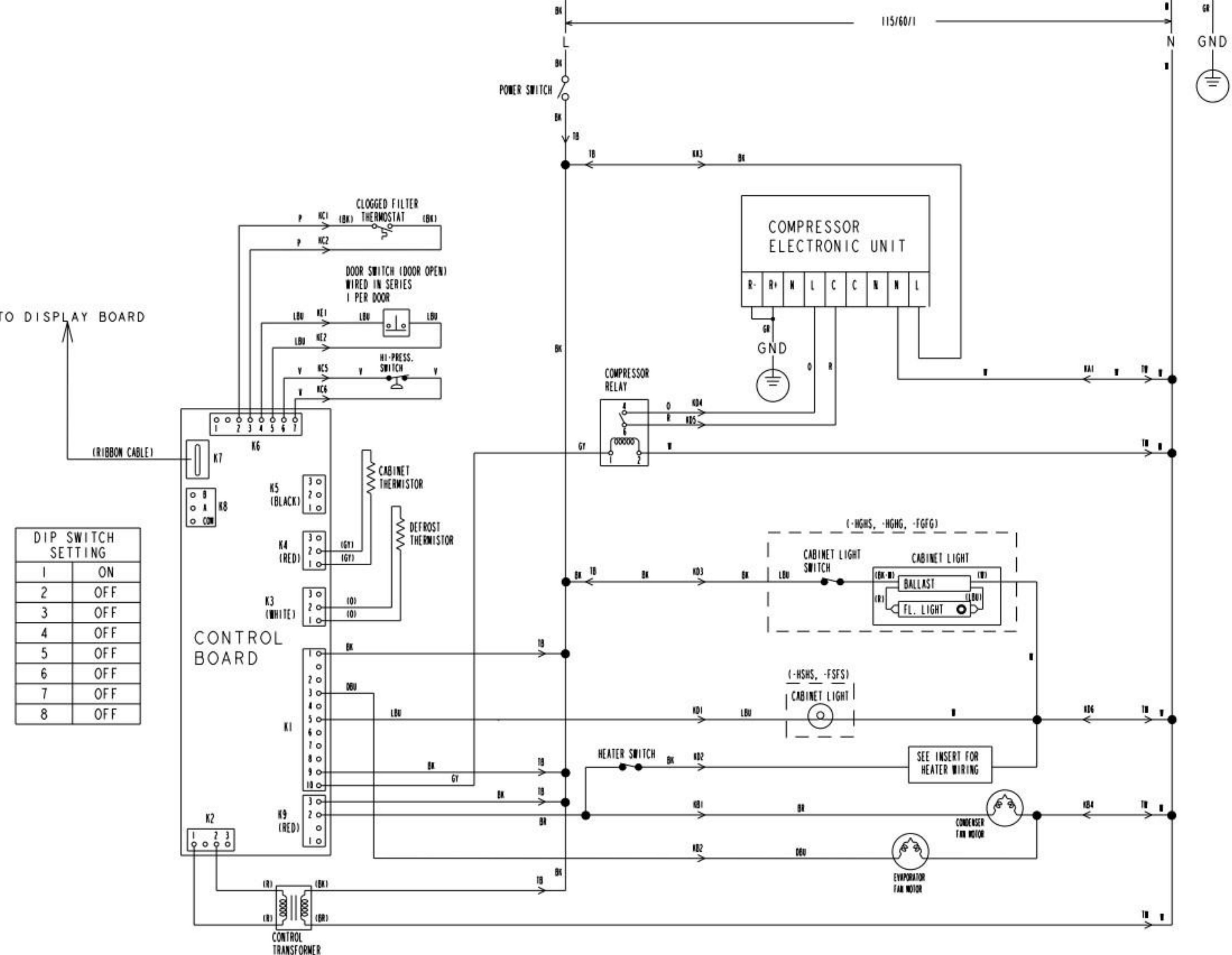
Transformer Output 10V at 115VAC Input

WIRE COLOR CODE

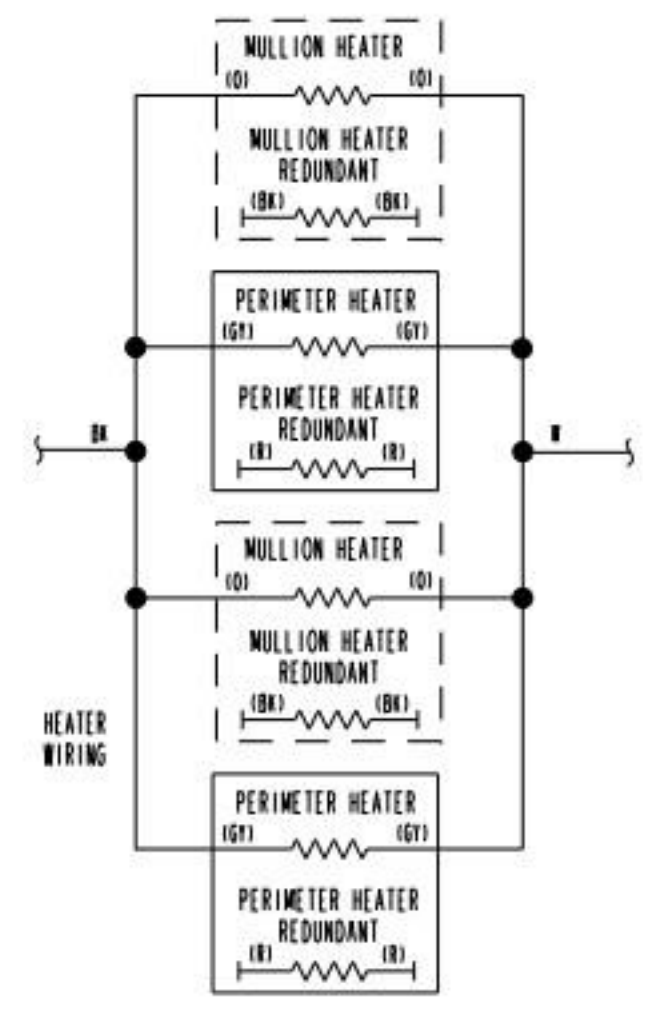
BR	BROWN
W	WHITE
BK	BLACK
R	RED
O	ORANGE
GY	GRAY
P	PINK
DBU	DARKBLUE
Y	VIOLET
Y	YELLOW



WIRE COLOR CODE	
BK	BLACK
BR	BROWN
DBU	DARK BLUE
GR	GREEN
GY	GRAY
LBU	LIGHT BLUE
O	ORANGE
P	PINK
R	RED
V	VIOLET
W	WHITE
Y	YELLOW



DIP SWITCH SETTING	
1	ON
2	OFF
3	OFF
4	OFF
5	OFF
6	OFF
7	OFF
8	OFF



Transformer Output  
10V at 115VAC Input