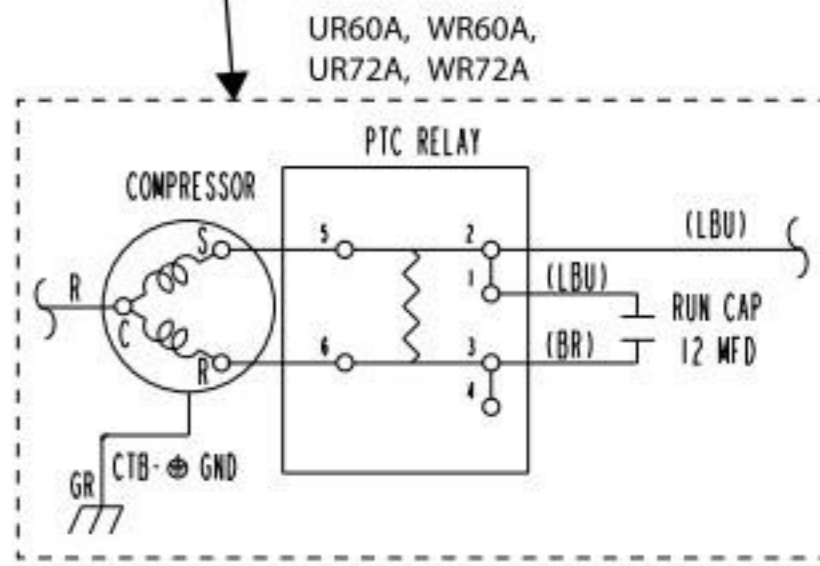
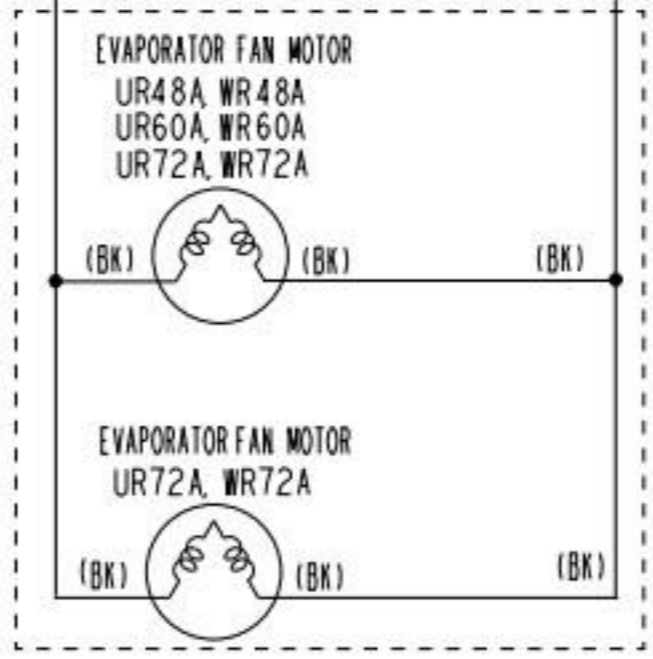
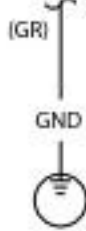
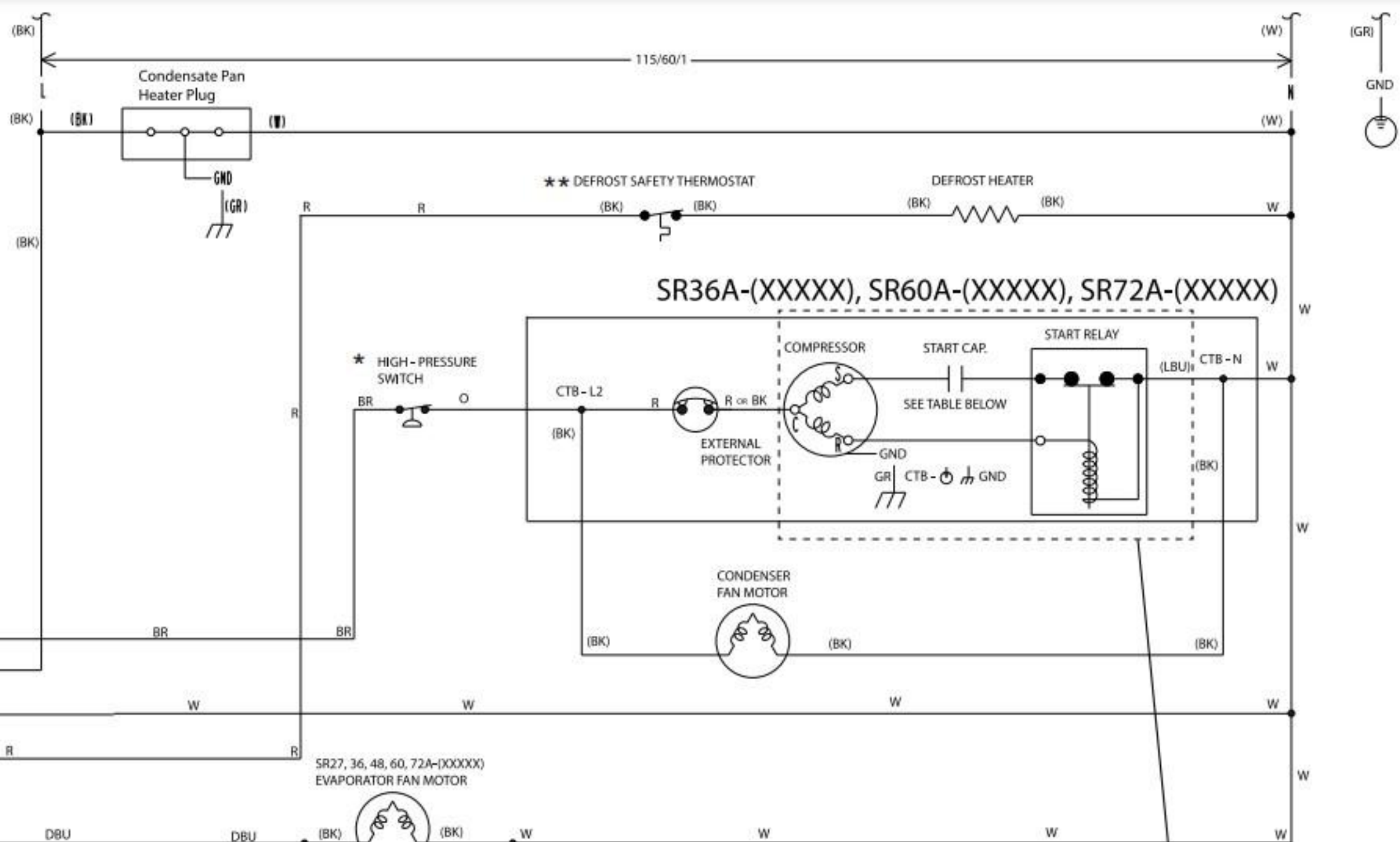
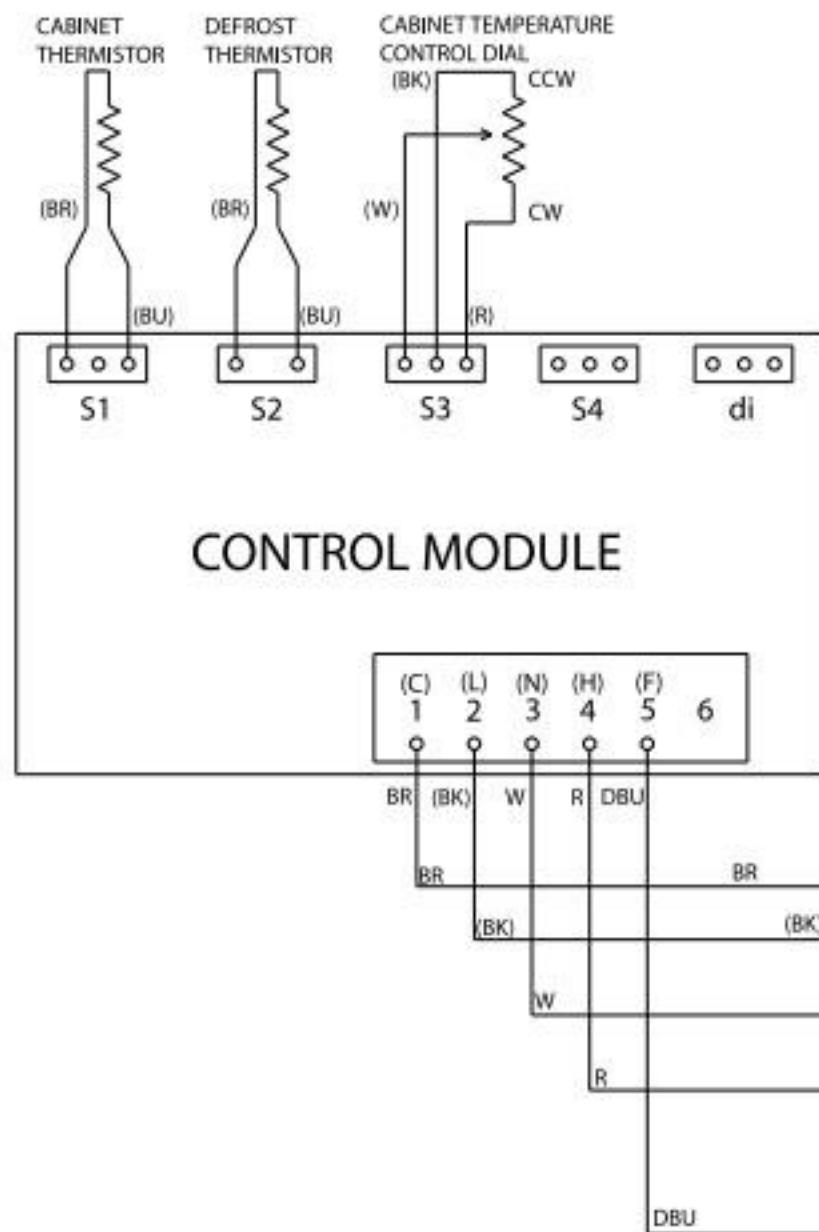


WIRE COLOR CODE	
BK	BLACK
BR	BROWN
DBU	DARK BLUE
GR	GREEN
GY	GRAY
LBU	LIGHT BLUE
O	ORANGE
P	PINK
R	RED
V	VIOLET
W	WHITE
Y	YELLOW

CTB = COMPRESSOR COVER TERMINAL BLOCK	
L1	NOT USED
L2	LINE
N	NEUTRAL
	GROUND

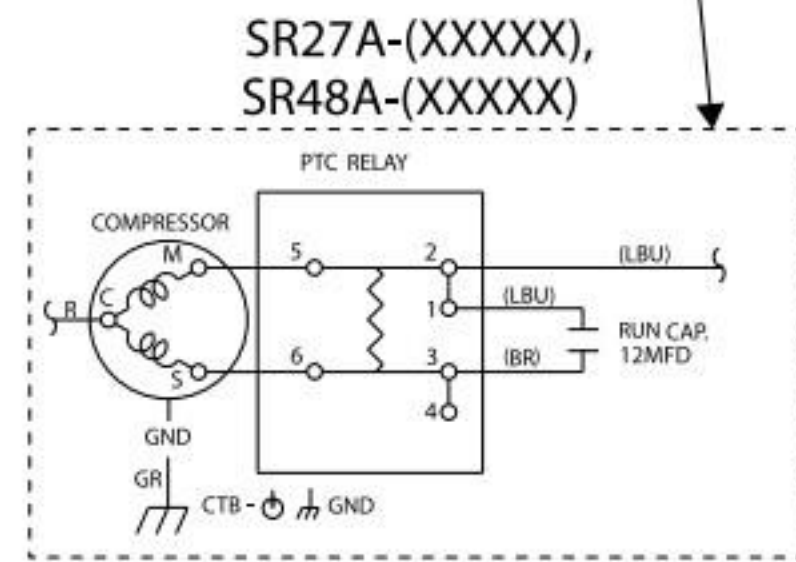
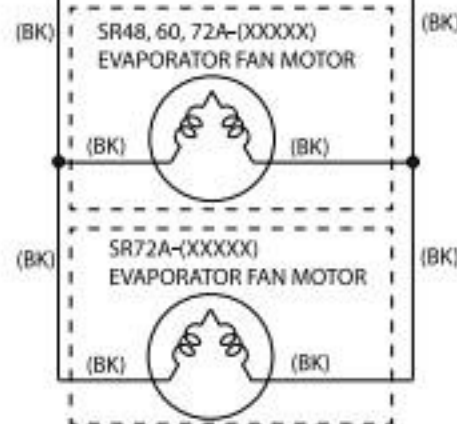




WIRE COLOR CODE	
BK	BLACK
BR	BROWN
DBU	DARK BLUE
GR	GREEN
GY	GRAY
LBU	LIGHT BLUE
O	ORANGE
P	PINK
R	RED
V	VIOLET
W	WHITE
Y	YELLOW

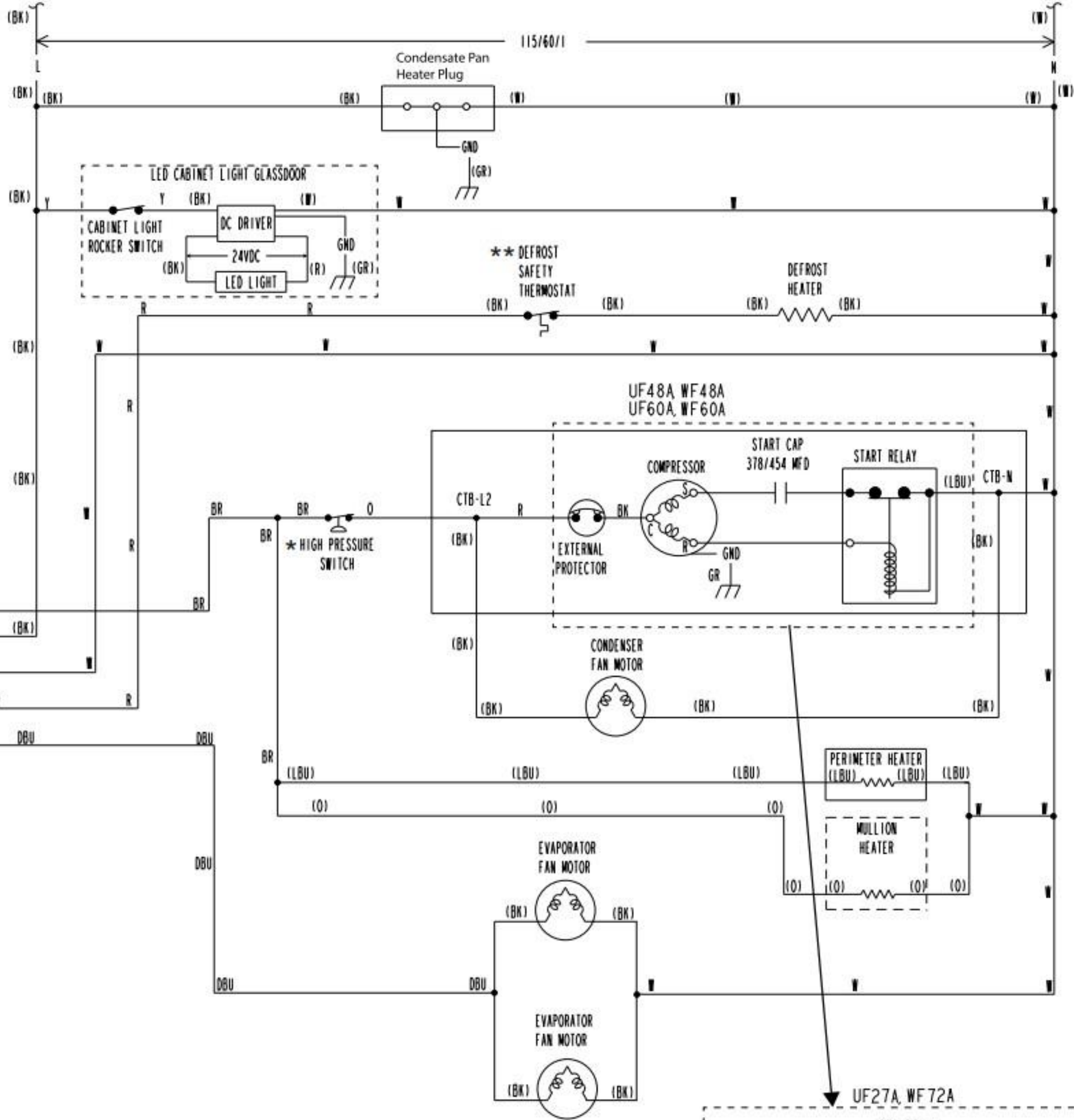
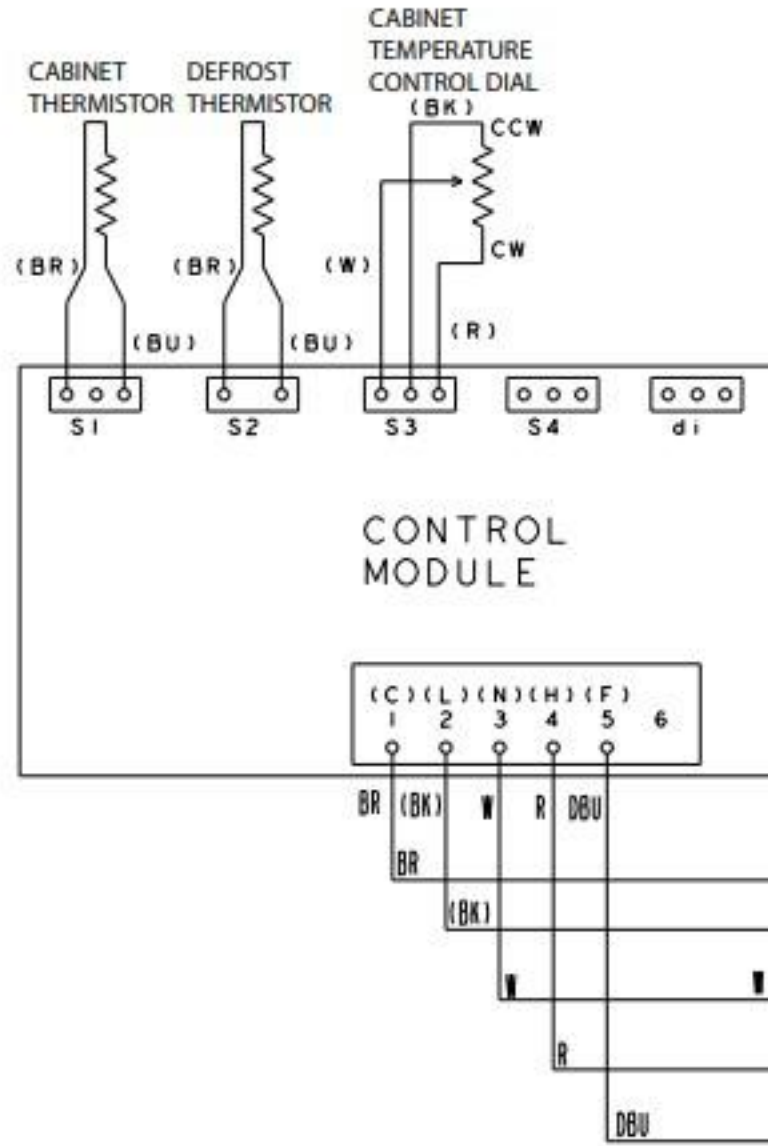
CTB = COMPRESSOR COVER TERMINAL BLOCK	
L1	NOT USED
L2	LINE
N	NEUTRAL
	GROUND

START CAPACITOR TABLE	
MODEL	START CAP.
SR36A-(XXXXX)	145-170MFD @ 250 VAC
SR60A-(XXXXX)	378-454MFD @ 220 VAC
SR72A-(XXXXX)	



* High-Pressure Switch	
Cut-Out	300±10 PSIG
Cut-In	190±20 PSIG

** Defrost Thermostat	
Cut-Out	120°F±5°F (49°C±3°C)
Cut-In	70°F±5°F (21°C±3°C)



WIRE COLOR CODE	
BK	BLACK
BR	BROWN
DBU	DARK BLUE
GR	GREEN
GY	GRAY
LBU	LIGHT BLUE
O	ORANGE
P	PINK
R	RED
V	VIOLET
W	WHITE
Y	YELLOW

CTB = COMPRESSOR COVER TERMINAL BLOCK	
L1	NOT USED
L2	LINE
N	NEUTRAL
	GROUND

* High-Pressure Switch	
Cut-Out	360±30 PSIG
Cut-In	249±10 PSIG

** Defrost Thermostat	
Cut-Out	120°F±5°F (49°C±3°C)
Cut-In	70°F±5°F (21°C±3°C)

