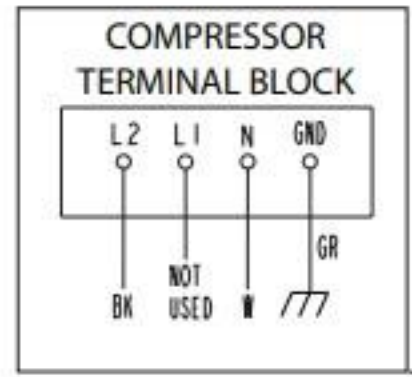


**** Defrost Thermostat**

Cut-out	120°F±5°F (49°C±3°C)
Cut-in	70°F±5°F (21°C±3°C)



WIRE COLOR CODE

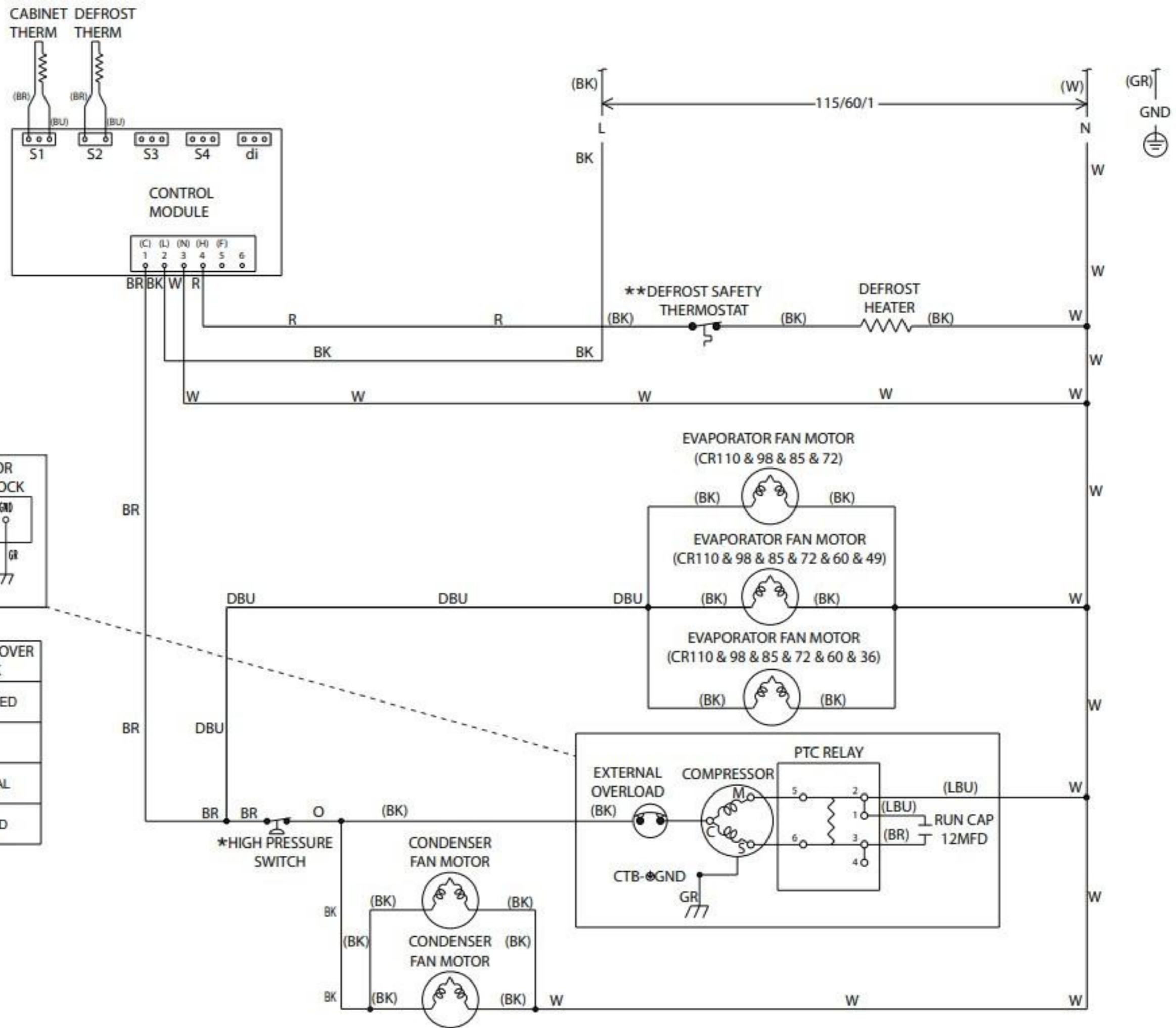
BK	BLACK
BR	BROWN
DBU	DARK BLUE
GR	GREEN
GY	GRAY
LBU	LIGHT BLUE
O	ORANGE
P	PINK
R	RED
V	VIOLET
W	WHITE
Y	YELLOW

CTB = COMPRESSOR COVER TERMINAL BLOCK

L1	NOT USED
L2	LINE
N	NEUTRAL
	GROUND

*** High-Pressure Switch**

Cut-out	300±10 PSIG
Cut-in	190±20 PSIG



WIRE COLOR CODE	
BK	BLACK
BR	BROWN
DBU	DARK BLUE
GR	GREEN
GY	GRAY
LBU	LIGHT BLUE
O	ORANGE
P	PINK
R	RED
V	VIOLET
W	WHITE
Y	YELLOW

CTB = COMPRESSOR COVER TERMINAL BLOCK	
L1	NOT USED
L2	LINE
N	NEUTRAL
	GROUND

* High-Pressure Switch	
Cut-out	300±10 PSIG
Cut-in	190±20 PSIG

** Defrost Safety Thermostat	
Cut-out	120°F±5°F (49°C±3°C)
Cut-in	70°F±5°F (21°C±3°C)