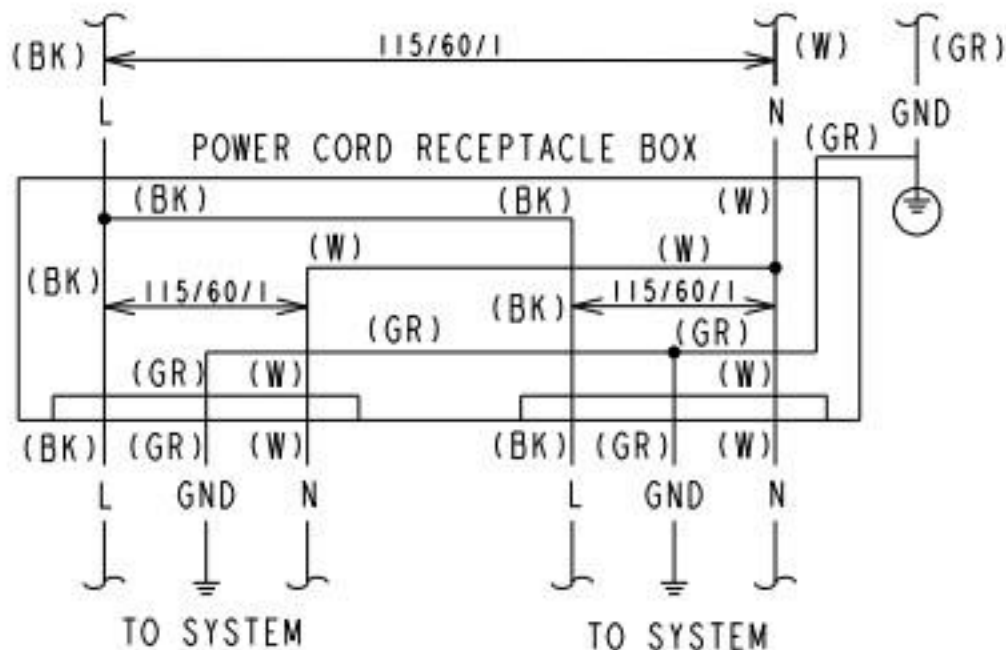
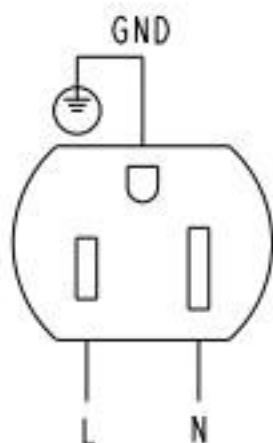


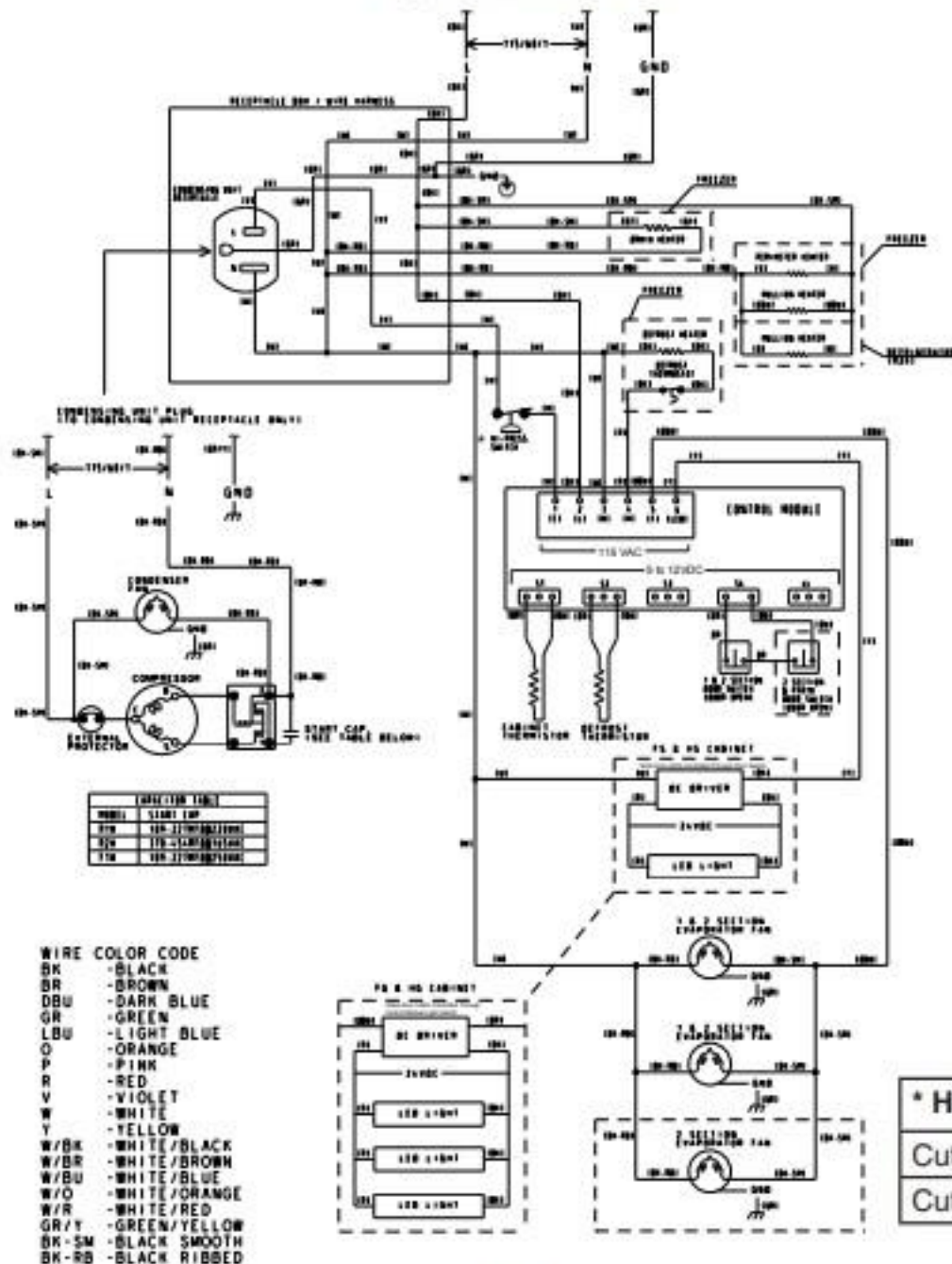
9. DT2A-FS/HS

Main Connection

| WIRE COLOR CODE | |
|-----------------|-------|
| BK | BLACK |
| GR | GREEN |
| W | WHITE |



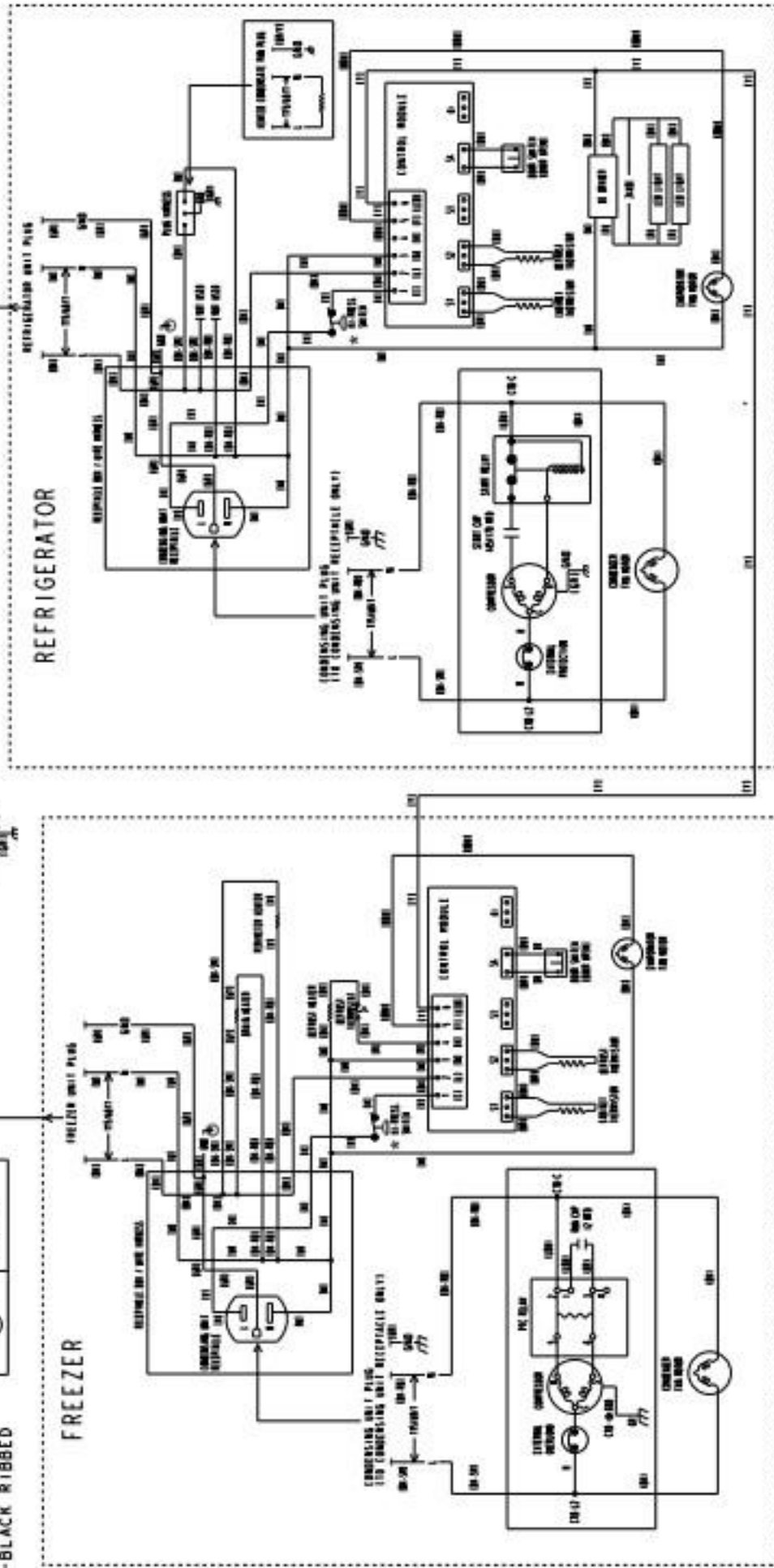
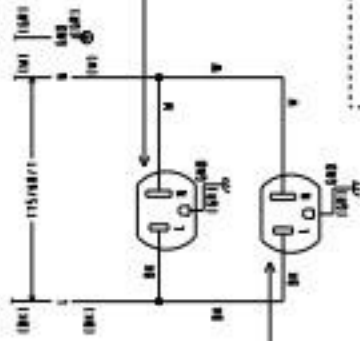
System Connection



- WIRE COLOR CODE
- BK - BLACK
 - BR - BROWN
 - DBU - DARK BLUE
 - GR - GREEN
 - LBU - LIGHT BLUE
 - O - ORANGE
 - P - PINK
 - R - RED
 - V - VIOLET
 - W - WHITE
 - Y - YELLOW
 - W/BK - WHITE/BLACK
 - W/BR - WHITE/BROWN
 - W/BU - WHITE/BLUE
 - W/O - WHITE/ORANGE
 - W/R - WHITE/RED
 - GR/Y - GREEN/YELLOW
 - BK - SM - BLACK SMOOTH
 - BK - RB - BLACK RIBBED

CTB - COMPRESSOR COVER TERMINAL BLOCK

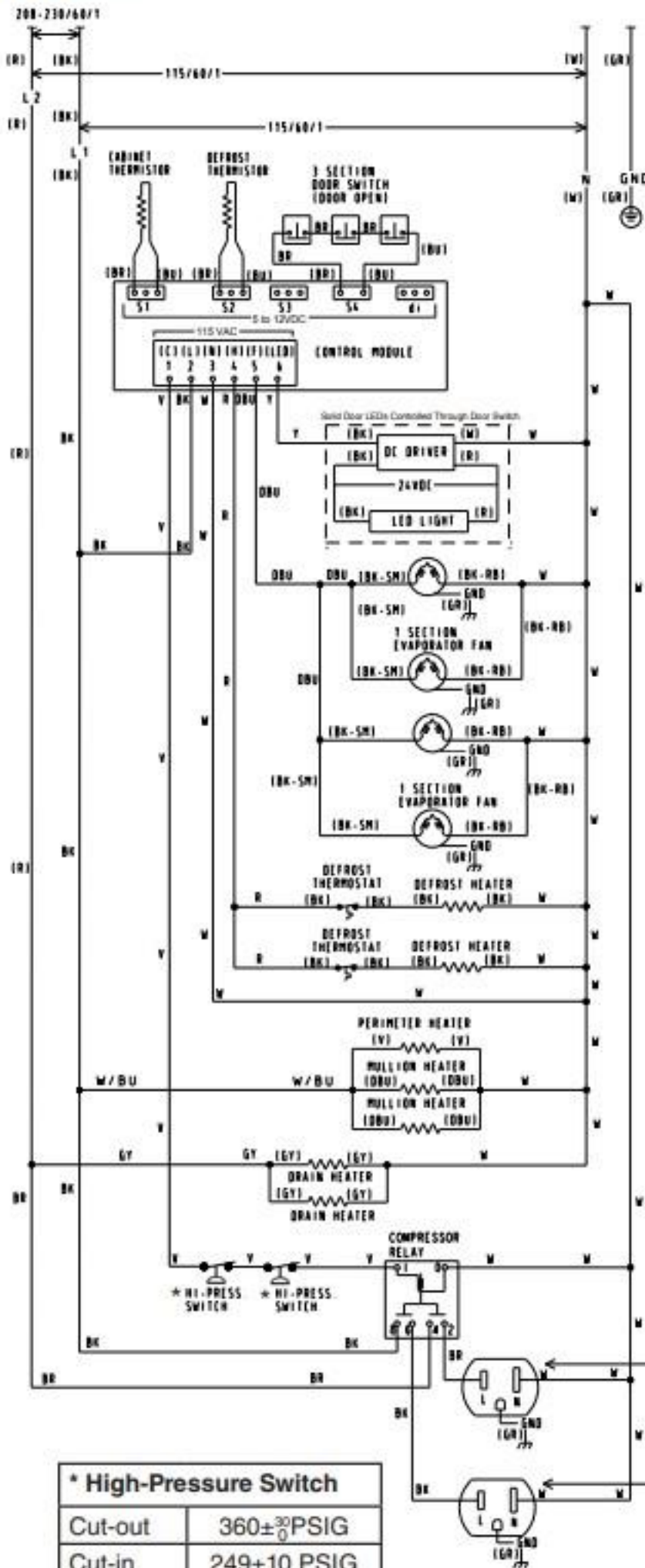
| | |
|----|----------|
| L1 | MOT USED |
| L2 | LINE |
| N | NEUTRAL |
| | GROUND |



* High-Pressure Switch

| | |
|---------|--------------------------------------|
| Cut-out | 360± ³⁰ ₀ PSIG |
| Cut-in | 249±10 PSIG |

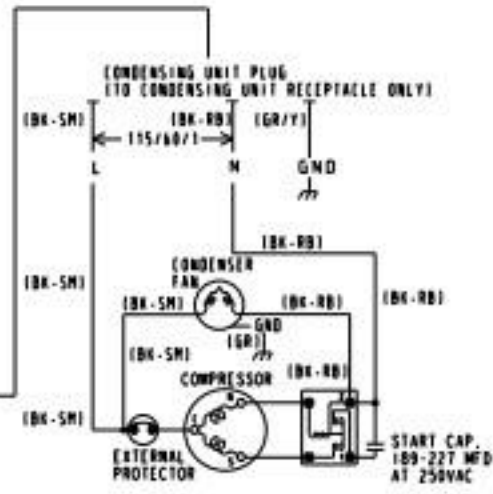
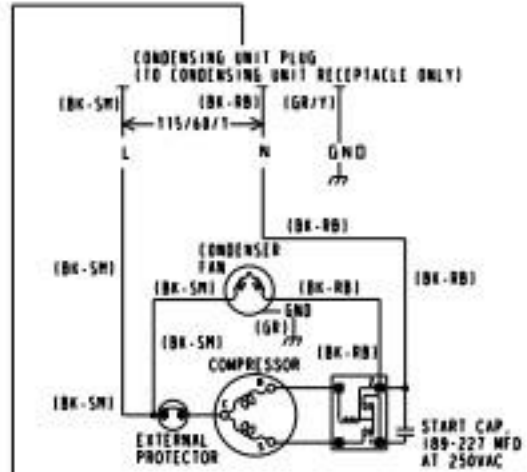
7. F3A-FS/HS

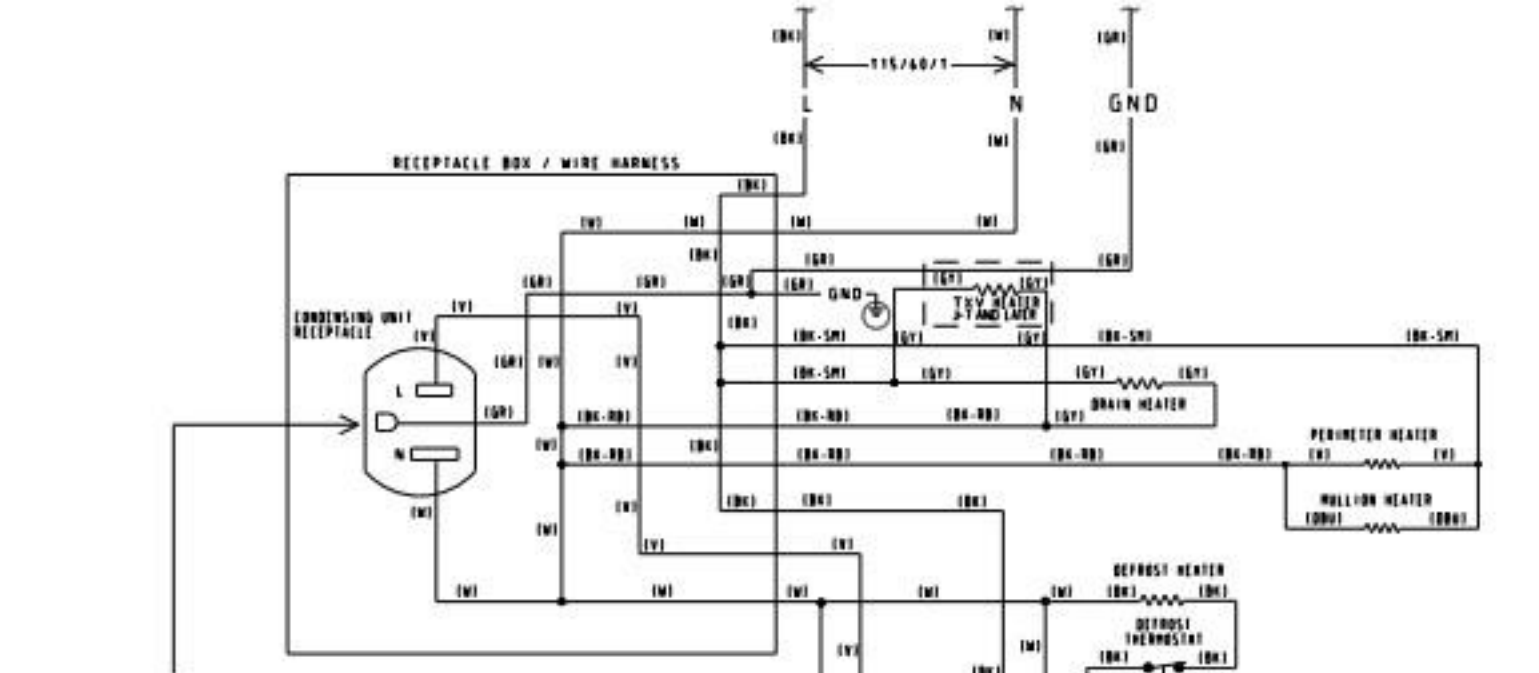


- WIRE COLOR CODE**
- BK - BLACK
 - BR - BROWN
 - DBU - DARK BLUE
 - GR - GREEN
 - LBU - LIGHT BLUE
 - O - ORANGE
 - P - PINK
 - R - RED
 - V - VIOLET
 - W - WHITE
 - Y - YELLOW
 - W/BK - WHITE/BLACK
 - W/BR - WHITE/BROWN
 - W/BU - WHITE/BLUE
 - W/O - WHITE/ORANGE
 - W/R - WHITE/RED
 - GR/Y - GREEN/YELLOW
 - BK-SM - BLACK SMOOTH
 - BK-RB - BLACK RIBBED

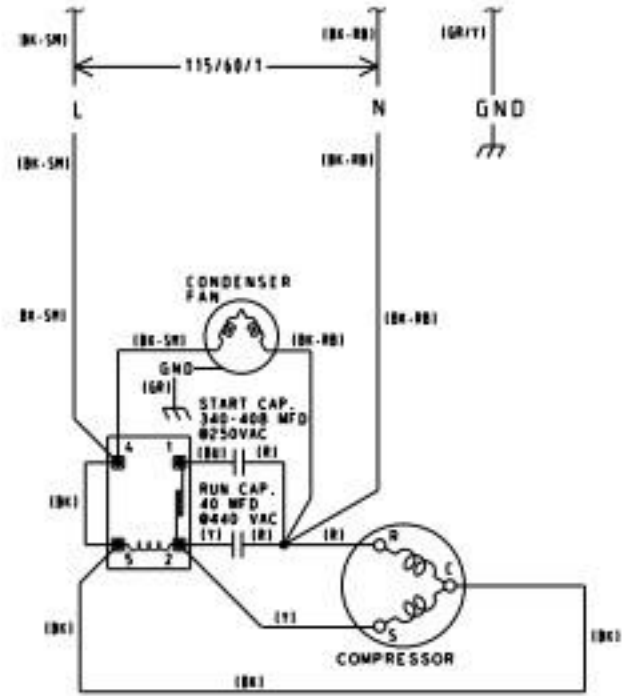
*** High-Pressure Switch**

| | |
|---------|-------------------------|
| Cut-out | 360± ³⁰ PSIG |
| Cut-in | 249±10 PSIG |





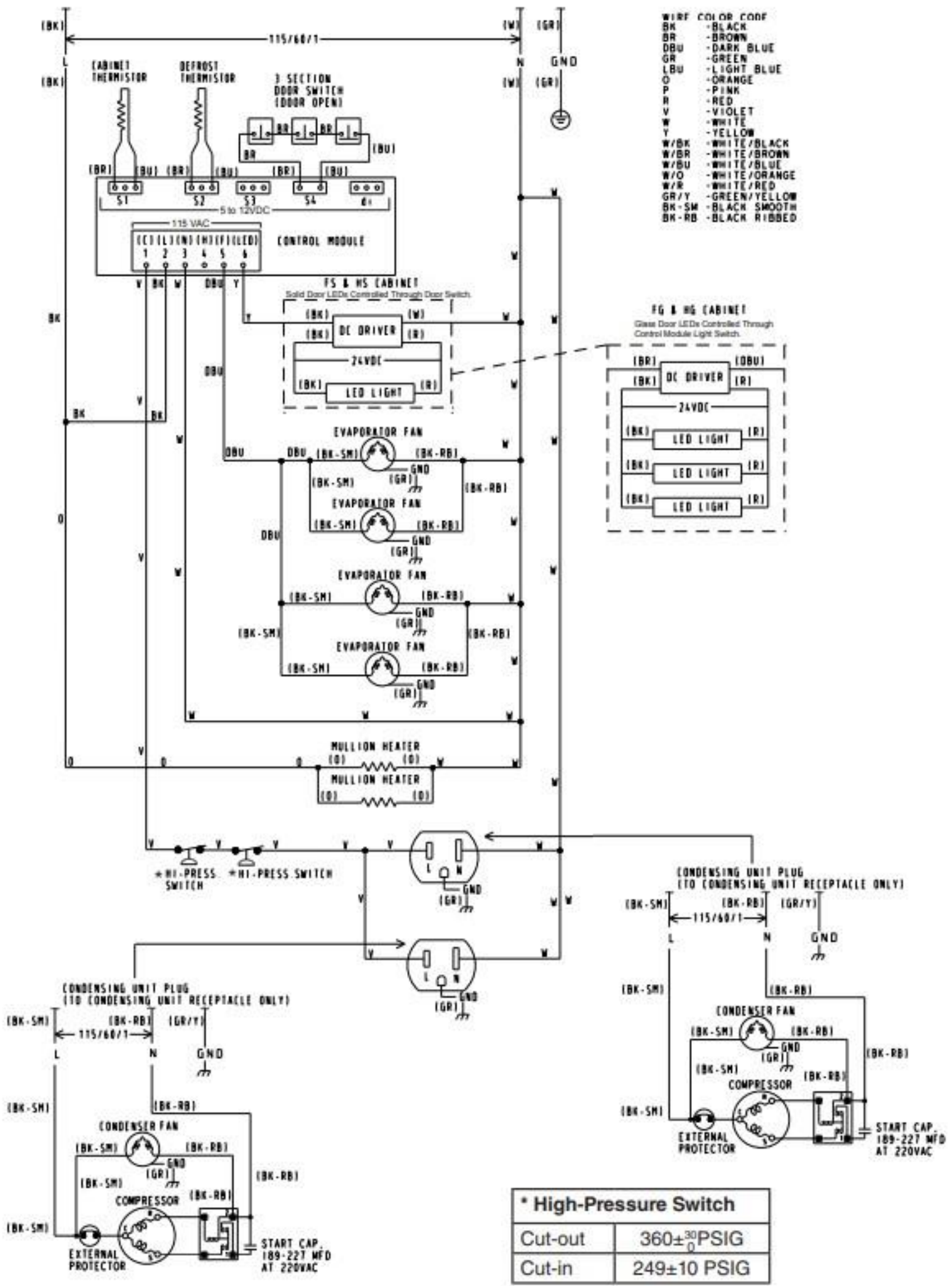
CONDENSING UNIT PLUG
(T/D CONDENSING UNIT RECEPTACLE ONLY)



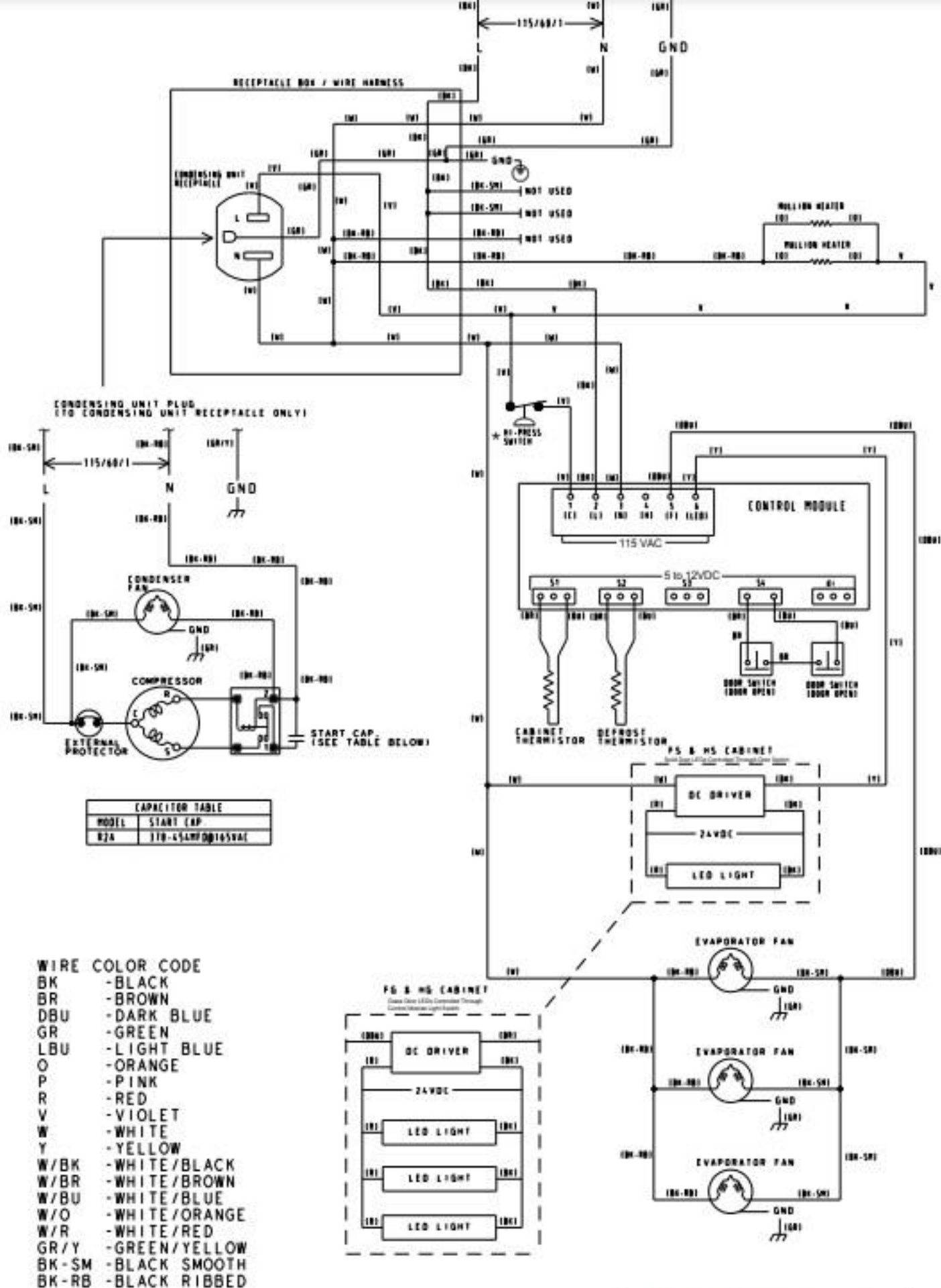
- WIRE COLOR CODE
- BK - BLACK
 - BR - BROWN
 - DBU - DARK BLUE
 - GR - GREEN
 - LBU - LIGHT BLUE
 - O - ORANGE
 - P - PINK
 - R - RED
 - V - VIOLET
 - W - WHITE
 - Y - YELLOW
 - W/BK - WHITE/BLACK
 - W/BR - WHITE/BROWN
 - W/BU - WHITE/BLUE
 - W/O - WHITE/ORANGE
 - W/R - WHITE/RED
 - GR/Y - GREEN/YELLOW
 - BR-SM - BLACK SMOOTH
 - BR-RB - BLACK RIBBED

| * High-Pressure Switch | |
|------------------------|--|
| Cut-out | 360± ³⁰ / ₀ PSIG |
| Cut-in | 249±10 PSIG |

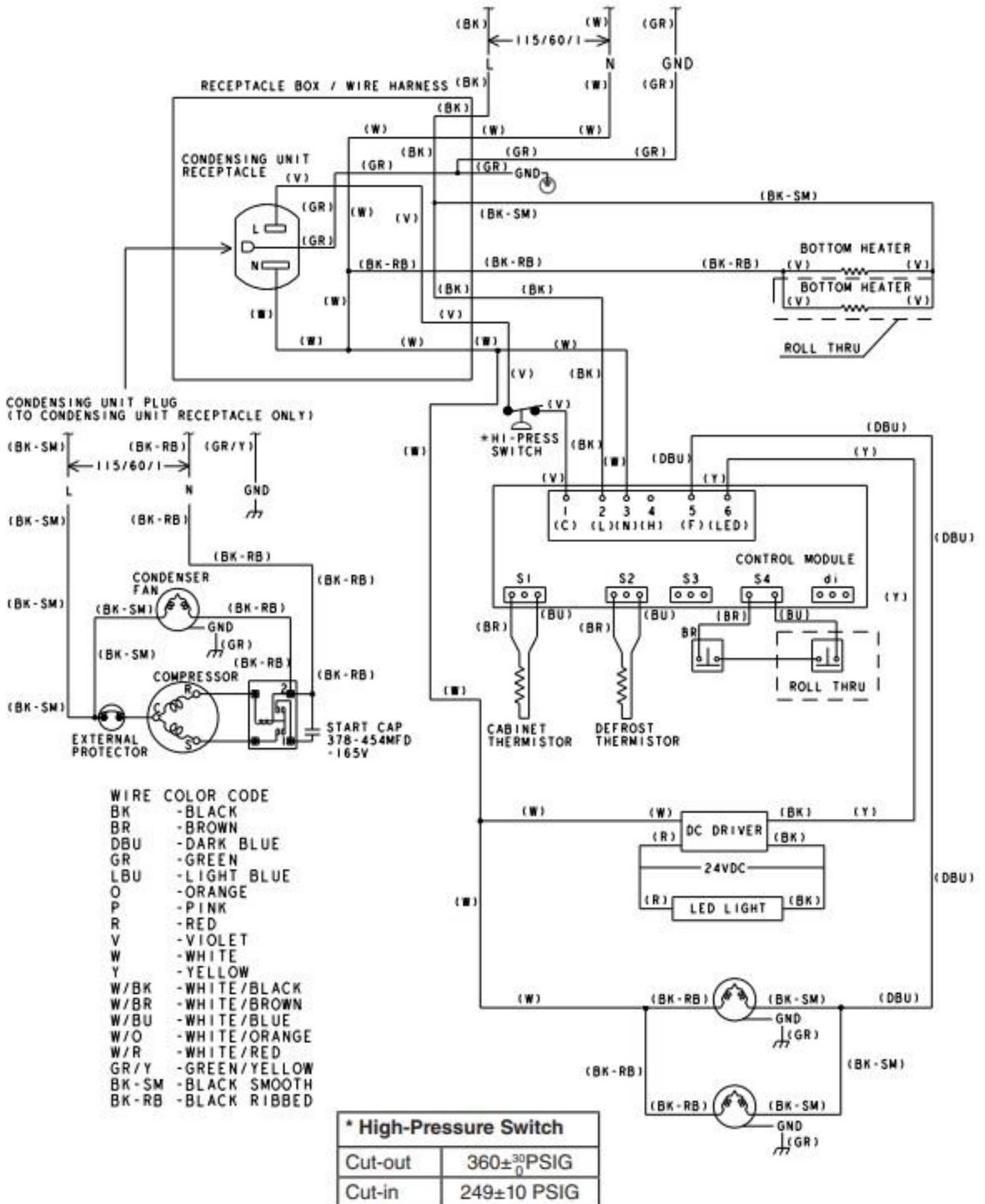
- WIRF COLOR CONF
- BK - BLACK
 - BR - BROWN
 - DBU - DARK BLUE
 - GR - GREEN
 - LBU - LIGHT BLUE
 - O - ORANGE
 - P - PINK
 - R - RED
 - V - VIOLET
 - W - WHITE
 - Y - YELLOW
 - W/BK - WHITE/BLACK
 - W/BR - WHITE/BROWN
 - W/BU - WHITE/BLUE
 - W/O - WHITE/ORANGE
 - W/R - WHITE/RED
 - GR/Y - GREEN/YELLOW
 - BK-SM - BLACK SMOOTH
 - BK-RB - BLACK RIBBED

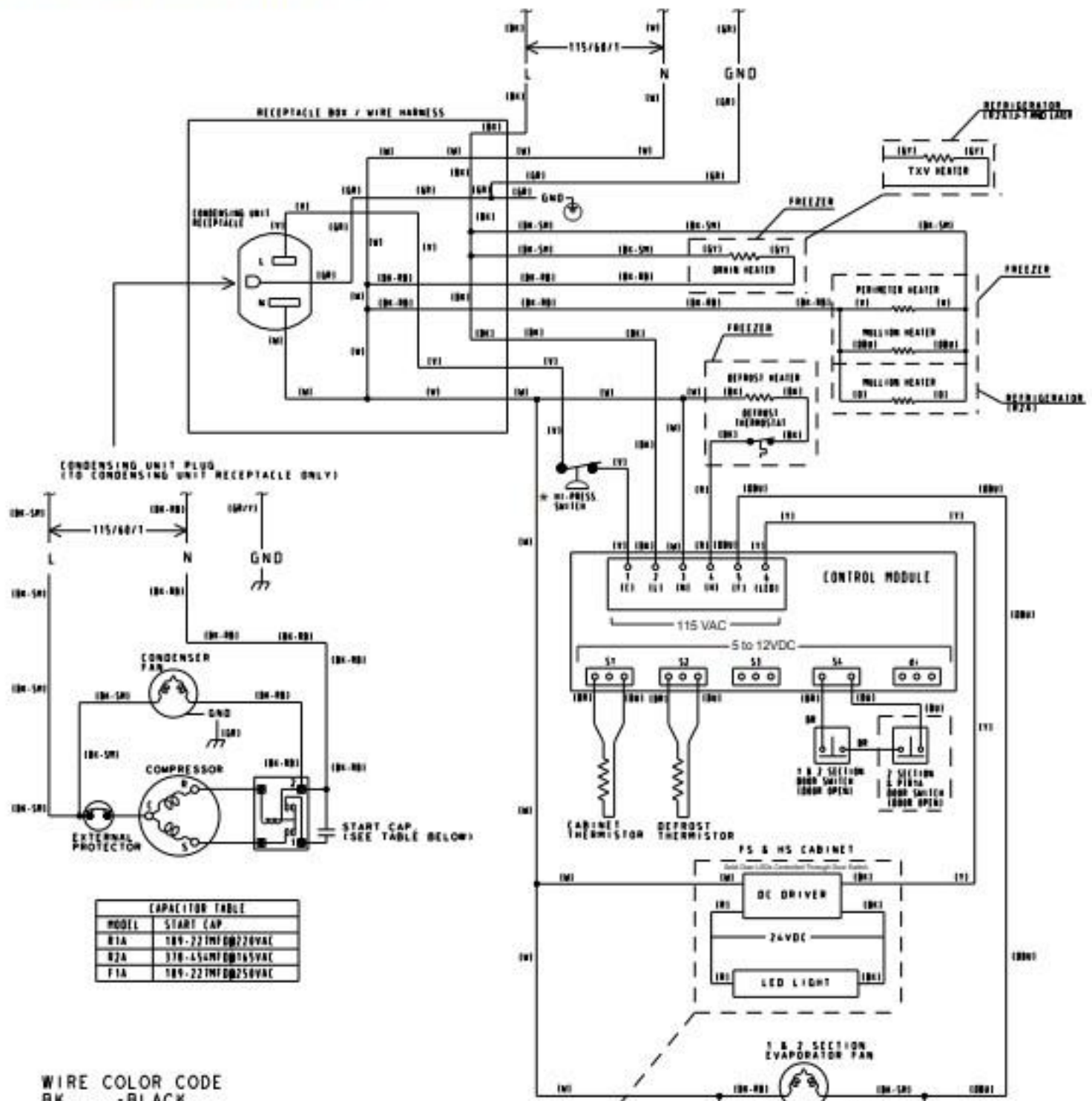


| * High-Pressure Switch | |
|------------------------|---------------|
| Cut-out | 360 ± 30 PSIG |
| Cut-in | 249 ± 10 PSIG |



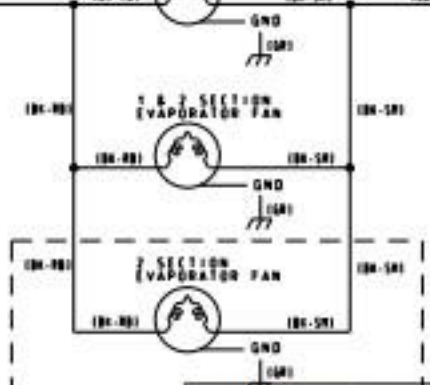
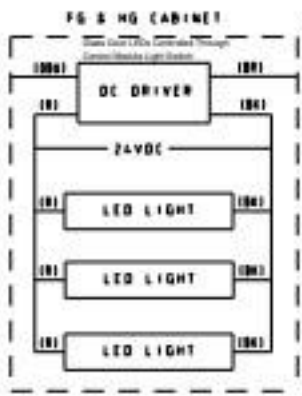
2. RN1A-FS, RT1A-FS-FS





| CAPACITOR TABLE | |
|-----------------|------------------|
| MODEL | START CAP |
| R1A | 189-221NF0270VAC |
| R2A | 378-454NF0165VAC |
| F1A | 189-221NF0250VAC |

- WIRE COLOR CODE**
- BK - BLACK
 - BR - BROWN
 - DBU - DARK BLUE
 - GR - GREEN
 - LBU - LIGHT BLUE
 - O - ORANGE
 - P - PINK
 - R - RED
 - V - VIOLET
 - W - WHITE
 - Y - YELLOW
 - W/BK - WHITE/BLACK
 - W/BR - WHITE/BROWN
 - W/BU - WHITE/BLUE
 - W/O - WHITE/ORANGE
 - W/R - WHITE/RED
 - GR/Y - GREEN/YELLOW
 - BK-SM - BLACK SMOOTH
 - BK-RB - BLACK RIBBED



| * High-Pressure Switch | |
|------------------------|--------------------------------------|
| Cut-out | 360± ³⁰ ₀ PSIG |
| Cut-in | 249±10 PSIG |