

hatcocorp.com

Register Online!
(see page 2)

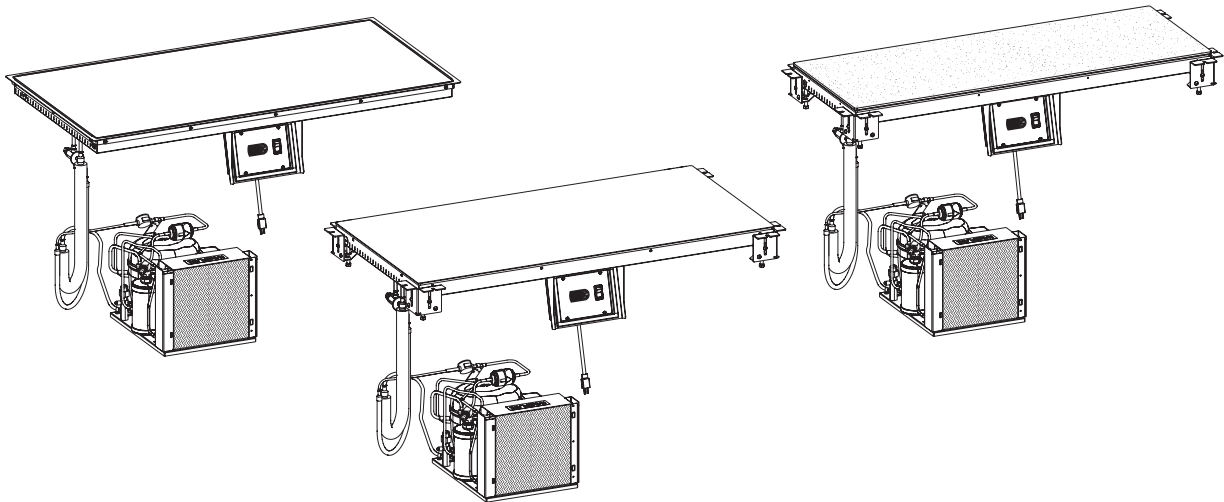
S'inscrire en ligne!
(voir page 26)



Cold Shelves Plaques réfrigérantes

CSU, CSBF, CSSB, CSSBF Series/Série

Installation and Operating Manual Manuel d'installation et d'utilisation



⚠ WARNING

Do not operate this equipment unless you have read and understood the contents of this manual! Failure to follow the instructions contained in this manual may result in serious injury or death. This manual contains important safety information concerning the maintenance, use, and operation of this product. If you're unable to understand the contents of this manual, please bring it to the attention of your supervisor. Keep this manual in a safe location for future reference.

English = p 2

⚠ ADVERTENCIA

No opere este equipo al menos que haya leído y comprendido el contenido de este manual! Cualquier falla en el seguimiento de las instrucciones contenidas en este manual puede resultar en un serio lesión o muerte. Este manual contiene importante información sobre seguridad concerniente al mantenimiento, uso y operación de este producto. Si usted no puede entender el contenido de este manual por favor pregunte a su supervisor. Almacenar este manual en una localización segura para la referencia futura.

⚠ AVERTISSEMENT

Ne pas utiliser cet équipement sans avoir lu et compris le contenu de ce manuel ! Le non-respect des instructions contenues dans ce manuel peut entraîner de graves blessures ou la mort. Ce manuel contient des informations importantes concernant l'entretien, l'utilisation et le fonctionnement de ce produit. Si vous ne comprenez pas le contenu de ce manuel, veuillez le signaler à votre supérieur. Conservez ce manuel dans un endroit sûr pour pouvoir vous y référer plus tard.

Français = p 26

Important Owner Information	2	Installing an Under Mounted Unit (CSU Models).....	17
Introduction	2	Installing the Remote Control Box.....	18
Important Safety Information	3	Mounting Bolt Dimensions (CSU Models).....	19
Model Designation	4	Operation	20
Model Description	5	General.....	20
Specifications	6	Changing the Setpoint Temperature.....	21
Plug Configuration.....	6	Setting the Auto-Defrost Cycle.....	21
Refrigerant Information.....	6	Changing Fahrenheit and Celsius Setting.....	21
Electrical Rating Charts.....	6	Maintenance	22
Dimensions.....	10	General.....	22
Installation	13	Daily Cleaning.....	22
General.....	13	Cleaning the Stone Surface	
Preparing the Installation Site.....	13	(CSSB and CSSBF Models).....	23
Installing a Top Mounted Unit (CSBF Models).....	14	Monthly Cleaning.....	23
Countertop Cutout Dimensions (CSBF Models).....	14	Troubleshooting Guide	24
Countertop Cutout and Mounting Bolt Dimensions		Options and Accessories	24
(CSSB and CSSBF Models).....	15	Limited Warranty	25
Installing a Bottom Mounted Unit		Authorized Parts Distributors	Back Cover
(CSSB and CSSBF Models).....	16		

IMPORTANT OWNER INFORMATION

Record the model number, serial number, voltage, and purchase date of the unit in the spaces below (specification label located on the side of the control box). Please have this information available when calling Hatco for service assistance.

Model No. _____

Serial No. _____

Voltage _____

Date of Purchase _____

Register your unit!

Completing online warranty registration will prevent delay in obtaining warranty coverage. Access the Hatco website at www.hatcocorp.com, select the *Support* pull-down menu, and click on "Warranty".

Business

Hours: 7:00 AM to 5:00 PM Monday–Friday,
Central Time (CT)
(Summer Hours: June to September—
7:00 AM to 5:00 PM Monday–Thursday
7:00 AM to 4:00 PM Friday)

Telephone: 414-671-6350

E-mail: support@hatcocorp.com



24 Hour 7 Day Parts and Service
Assistance available in the United States
and Canada by calling 414-671-6350.

Additional information can be found by visiting our web site at www.hatcocorp.com.

INTRODUCTION

Hatco Cold Shelves are specially designed to hold chilled foods at safe serving temperatures. The insulated, top mount or bottom mount units are available in several sizes.

Hatco Cold Shelves are products of extensive research and field testing. The materials used were selected for maximum durability, attractive appearance, and optimum performance. Every unit is inspected and tested thoroughly prior to shipment.

This manual provides the installation, safety, and operating instructions for Cold Shelves. Hatco recommends all installation, operating, and safety instructions appearing in this manual be read prior to installation or operation of the unit.

Safety information that appears in this manual is identified by the following signal word panels:



WARNING indicates a hazardous situation which, if not avoided, could result in death or serious injury.



CAUTION indicates a hazardous situation which, if not avoided, could result in minor or moderate injury.



NOTICE is used to address practices not related to personal injury.



Read the following important safety information before using this equipment to avoid serious injury or death and to avoid damage to equipment or property.

WARNING

ELECTRIC SHOCK HAZARD:

- Plug unit into a properly grounded electrical receptacle of the correct voltage, size, and plug configuration. If plug and receptacle do not match, contact a qualified electrician to determine and install proper voltage and size electrical receptacle.
- Turn OFF power switch and unplug power cord before performing any cleaning, adjustments, or maintenance.
- Unit is not weatherproof. Locate unit indoors.
- Control box must be mounted in a vertical surface. Mounting control box in a horizontal surface may result in the collection of liquids and lead to electric **shock**.
- DO NOT submerge or saturate with water. Unit is not waterproof. Do not operate if unit has been submerged or saturated with water.
- This unit is not “jet-proof” construction. Do not use jet-clean spray to clean this unit.
- Do not steam clean or use excessive water on unit.
- Discontinue use if power cord is frayed or worn.
- Do not attempt to repair or replace a damaged power cord. Cord must be replaced by an Authorized Hatco Service Agent or a person with similar qualifications.
- This unit must be serviced by qualified personnel only. Service by unqualified personnel may lead to electric **shock** or burn.
- Use only Genuine Hatco Replacement Parts when service is required. Failure to use Genuine Hatco Replacement Parts will void all warranties and may subject operators of the equipment to hazardous electrical voltage, resulting in electrical **shock** or burn. Genuine Hatco Replacement Parts are specified to operate safely in the environments in which they are used. Some aftermarket or generic replacement parts do not have the characteristics that will allow them to operate safely in Hatco equipment.

FIRE HAZARD:

- Install condensing unit with a minimum of 2” (51 mm) of space between all sides of unit and any combustible surfaces.
- Do not use flammable cleaning solutions to clean this unit.

EXPLOSION HAZARD: Do not store or use gasoline or other flammable vapors or liquids in the vicinity of this or any other appliance.

Make sure food product and food pans have been chilled to the proper food-safe temperature before placing on unit. Failure to chill food product properly may result in serious health risks. This unit is for holding pre-chilled food product only.

This unit is for holding food for short periods of time. Never hold food longer than 4 hours.

Hatco Corporation is not responsible for actual food product serving temperature. It is the responsibility of the user to ensure that food product is held and served at a safe temperature.

WARNING

Maintain proper cleanliness of unit. Proper cleanliness and sanitation is critical for food-safe operation. Refer to the MAINTENANCE section for cleaning procedures.

Do not place food product directly onto hardcoat or simulated stone surface. Food product must be wrapped, boxed, or on a food pan.

This unit is not intended for use by children or persons with reduced physical, sensory, or mental capabilities. Ensure proper supervision of children and keep them away from the unit.

Make sure all operators have been instructed on the safe and proper use of the unit.

This unit has no “user-serviceable” parts. If service is required on this unit, contact an Authorized Hatco Service Agent or contact the Hatco Service Department at 414-671-6350.

CAUTION

Locate the unit at proper counter height in an area that is convenient for use. The location should be level and strong enough to support the weight of the unit and contents.

DO NOT tip unit/mounting surface after final installation. Unit is free-floating and could fall out if tipped—for permanent, horizontal installations only.

Make sure to clean and sanitize stone surface properly after deep cleaning the surface using abrasives and before placing food product on unit.

NOTICE

This unit is designed for use in environments where ambient temperature is between 65°F (18°C) and 86°F (30°C).

When shipped during cold weather months, store unit for at least 10 hours in an environment where ambient temperature is between 65°F (18°C) and 86°F (30°C) to prevent compressor and/or refrigerant line damage. If unit is turned on and there is excessive noise and vibration, turn off immediately and allow additional warmup time.

Provide louvered or grill-style openings with a minimum size of 12” x 12”/144 square inches (31 x 31 cm/ 961 square cm) in the cabinetry in front of and behind the condensing unit for proper ventilation. Failure to provide adequate air flow through the condensing unit may cause unit failure and will void the unit warranty.

Do not recirculate exhaust air inside cabinet when multiple condensing units are installed together. Intake air should enter from outside of cabinet.

Transport and install unit in upright position only. Failure to do so may result in damage to the refrigeration system.

Use caution and avoid hitting condensing unit hoses/lines when installing unit. Damage caused during installation is not covered under warranty.

NOTICE

Do not locate unit in area with excessive air movement around unit. Avoid areas that may be subject to active air movements or currents (i.e., near exhaust fans/hoods, air conditioning ducts, and exterior doors).

Do not locate unit in an area subject to excessive temperatures or grease from grills, fryers, etc. Excessive temperatures could cause damage to the unit.

Damage to any countertop material caused by heat or cold generated from Hatco equipment is not covered under the Hatco warranty. Contact manufacturer of countertop material for application information.

Use non-abrasive cleaners and cloths only. Abrasive cleaners and cloths could scratch the finish of the unit, marring its appearance and making it susceptible to soil accumulation.

NOTICE

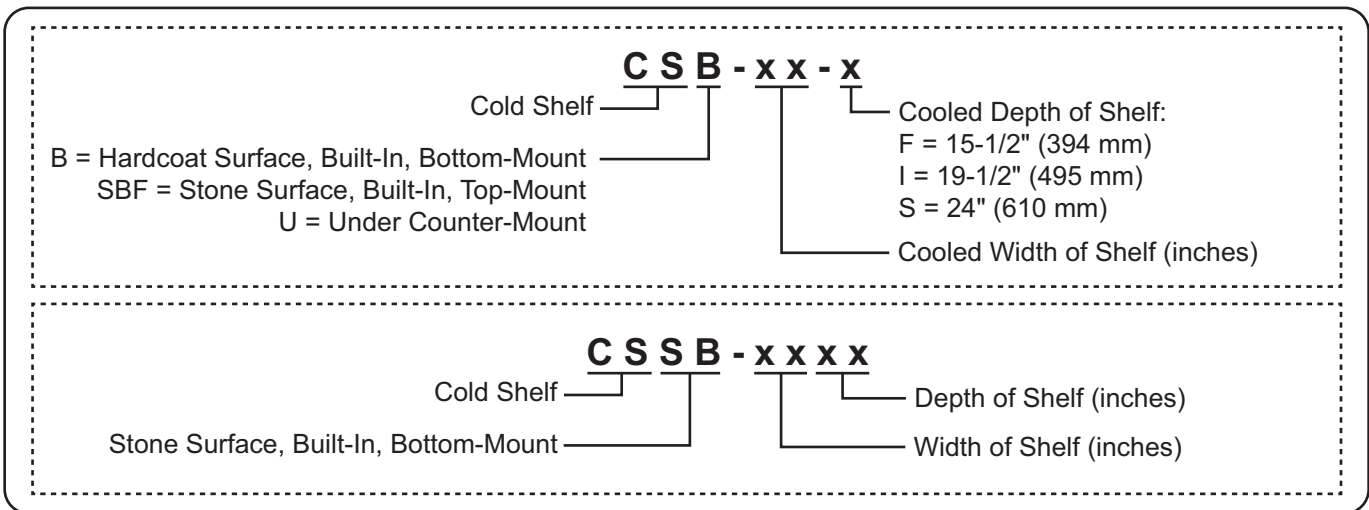
Do not use steel wool for cleaning. Steel wool will scratch the finish.

Do not use harsh chemicals such as bleach, cleaners containing bleach, or oven cleaners to clean the unit.

Clean unit daily to avoid malfunctions and maintain sanitary operation.

This unit is intended for commercial use only—NOT for household use.

MODEL DESIGNATION



All Models

Hatco Cold Shelves are reliable and versatile. Each unit has an insulated, stainless steel and aluminized steel housing. A copper evaporator coil wound under the entire hardcoat aluminum or stone surface provides even chilling from edge to edge. A condensing unit is connected to the evaporator coil with a flexible tubing assembly. Hatco Cold Shelves are designed, manufactured, and tested to maintain safe food holding temperatures.

Controls for the Cold Shelves are housed in a single, remote control box. They include a Power I/O (on/off) Switch and a digital temperature controller. The control box is connected to the condensing unit with a 4' (1219 mm) or optional 7-1/2' (2286 mm) control cable. A 6' (1829 mm) power cord and plug connected to the control box provides power to the entire unit.

Depending on the model, Cold Shelves are designed to be mounted to the top side, bottom side, or underneath various types of countertop material including stainless steel, wood, Corian, and Swanstone.

The **ecoization** logo identifies products designed to reflect Hatco's commitment to improving, protecting, and preserving the global environment. Hatco Cold Shelves qualify for the ecoization logo through the use of eco-friendly insulation as well as a highly efficient condensing unit.

CSBF Models

CSBF models have a hardcoat aluminum surface and are top mounted.

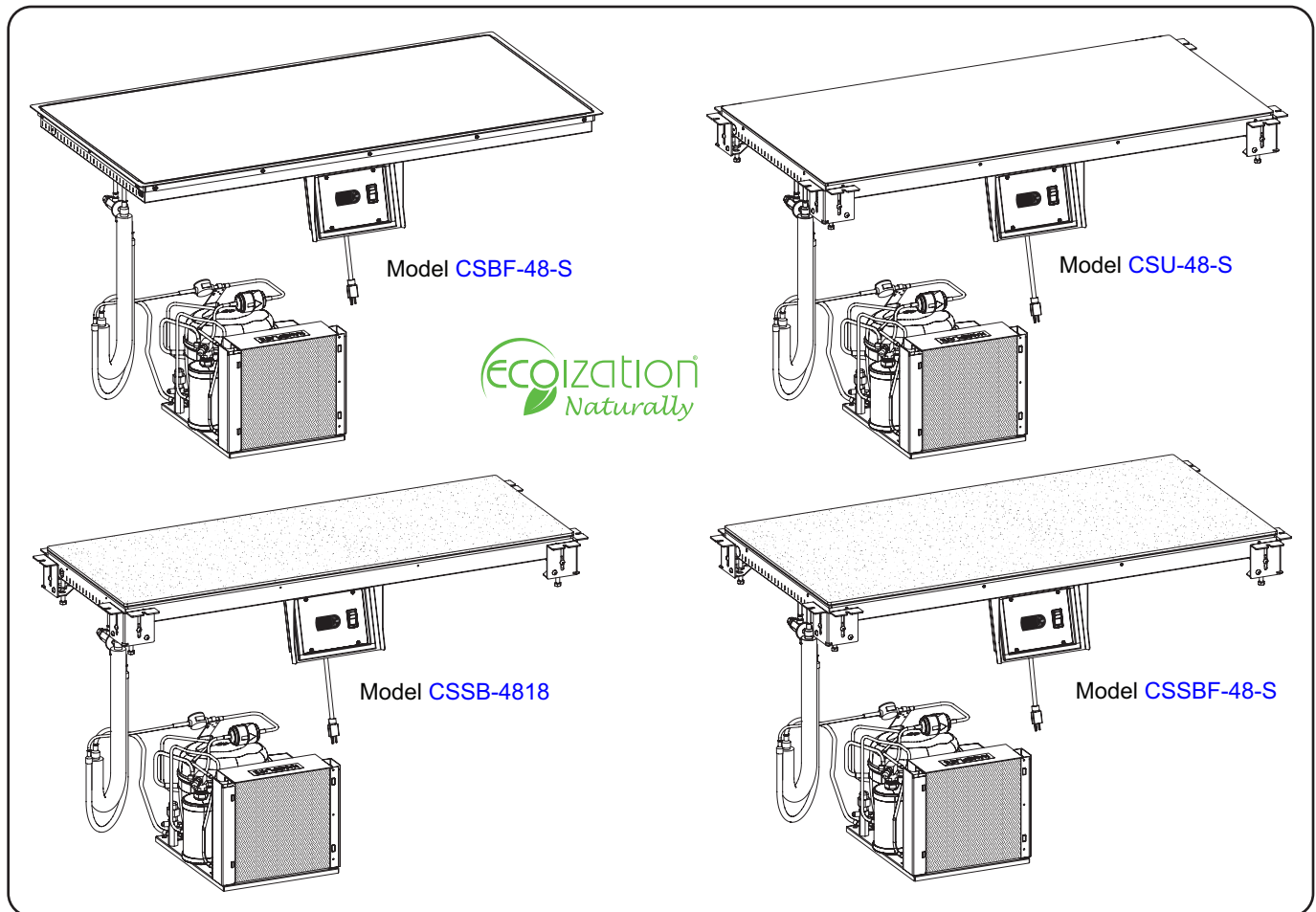
CSSB and CSSBF Models

CSSB and CSSBF models have a decorative stone surface and are bottom mounted.

NOTE: Stone surfaces are a simulated stone solid surface.

CSU Models

CSU models have an aluminum surface and are mounted directly against the underside of a granite or quartz countertop (no cutout required). Cooling transfers through the countertop to the top side for a true, seamless installation.



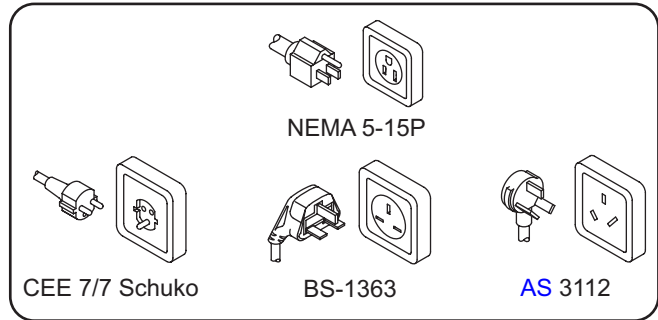
Plug Configuration

Units are supplied from the factory with an electrical cord and plug installed. Plugs are supplied according to the applications.



ELECTRIC SHOCK HAZARD: Plug unit into a properly grounded electrical receptacle of the correct voltage, size, and plug configuration. If plug and receptacle do not match, contact a qualified electrician to determine and install proper voltage and size electrical receptacle.

NOTE: The specification labels are located on the bottom of the unit and the back of the control box. See the label for the serial number and verification of unit electrical information.



Plug Configuration

NOTE: Receptacle not supplied by Hatco.

Refrigerant Information

Hatco Cold Shelves use R-513A refrigerant in the condensing unit.

Operating Specifications

Discharge Pressure	Suction Pressure	Superheat	Subcooling
115 to 125 psig (7.9 to 8.6 bar)	6 to 9 psig (0.4 to 0.6 bar)	4° to 10°F (2.2° to 5.6°C)	5° to 10°F (2.8° to 5.6°C)

NOTE: The Operating Specifications are accurate for units in an ambient air temperature of 75°F (24°C).

Design Pressure

High Side	Low Side
233 psig (16.1 bar)	122 psig (8.4 bar)

Electrical Rating Chart — CSSB Models

Model	Compressor Size	Volts	Hertz	Watts	Amps	Plug Configuration	Shipping Weight
CSSB-2418	1/5 hp	120 V	60 Hz	300 W	3.8 A	NEMA 5-15P	105 lbs. (48 kg)
	1/3 hp	220/230/240 V	50 Hz	1089/1190/1296 W	5.0/5.2/5.4 A	CEE 7/7 Schuko, BS-1363, AS 3112	
			60 Hz	1129/1234/1344 W	5.1/5.4/5.6 A		
CSSB-3018	1/5 hp	120 V	60 Hz	300 W	3.8 A	NEMA 5-15P	131 lbs. (59 kg)
	1/3 hp	220/230/240 V	50 Hz	1089/1190/1296 W	5.0/5.2/5.4 A	CEE 7/7 Schuko, BS-1363, AS 3112	
			60 Hz	1129/1234/1344 W	5.1/5.4/5.6 A		
CSSB-3618	1/5 hp	120 V	60 Hz	300 W	3.8 A	NEMA 5-15P	149 lbs. (68 kg)
	1/3 hp	220/230/240 V	50 Hz	1089/1190/1296 W	5.0/5.2/5.4 A	CEE 7/7 Schuko, BS-1363, AS 3112	
			60 Hz	1129/1234/1344 W	5.1/5.4/5.6 A		
CSSB-4818	1/3 hp	120 V	60 Hz	450 W	5.9 A	NEMA 5-15P	171 lbs. (78 kg)
	3/8 hp	220/230/240 V	50 Hz	826/904/984 W	3.8/3.9/4.1 A	CEE 7/7 Schuko, BS-1363, AS 3112	
	1/3 hp		60 Hz	1129/1234/1344 W	5.1/5.4/5.6 A		

The shaded areas contain electrical information for **International models only**.

NOTE: Shipping weight includes packaging and is estimated.

Electrical Rating Chart — CSBF Models

Model	Compressor Size	Volts	Hertz	Watts	Amps	Plug Configuration	Shipping Weight
CSBF-24-F	1/5 hp	120 V	60 Hz	300	3.8 A	NEMA 5-15P	96 lbs. (44 kg)
	1/3 hp	220/230/240 V	50 Hz	1089/1190/1296 W	5.0/5.2/5.4 A	CEE 7/7 Schuko, BS-1363, AS 3112	
			60 Hz	1129/1234/1344 W	5.1/5.4/5.6 A		
CSBF-24-I	1/5 hp	120 V	60 Hz	300 W	3.8 A	NEMA 5-15P	109 lbs. (49 kg)
	1/3 hp	220/230/240 V	50 Hz	1089/1190/1296 W	5.0/5.2/5.4 A	CEE 7/7 Schuko, BS-1363, AS 3112	
			60 Hz	1129/1234/1344 W	5.1/5.4/5.6 A		
CSBF-24-S	1/5 hp	120 V	60 Hz	300 W	3.8 A	NEMA 5-15P	124 lbs. (56 kg)
	1/3 hp	220/230/240 V	50 Hz	1089/1190/1296 W	5.0/5.2/5.4 A	CEE 7/7 Schuko, BS-1363, AS 3112	
			60 Hz	1129/1234/1344 W	5.1/5.4/5.6 A		
CSBF-36-F	1/5 hp	120 V	60 Hz	300 W	3.8 A	NEMA 5-15P	121 lbs. (55 kg)
	1/3 hp	220/230/240 V	50 Hz	1089/1190/1296 W	5.0/5.2/5.4 A	CEE 7/7 Schuko, BS-1363, AS 3112	
			60 Hz	1129/1234/1344 W	5.1/5.4/5.6 A		
CSBF-36-I	1/3 hp	120 V	60 Hz	450 W	5.9 A	NEMA 5-15P	137 lbs. (62 kg)
	3/8 hp	220/230/240 V	50 Hz	826/904/984 W	3.8/3.9/4.1 A	CEE 7/7 Schuko, BS-1363, AS 3112	
	1/3 hp		60 Hz	1129/1234/1344 W	5.1/5.4/5.6 A		
CSBF-36-S	1/3 hp	120 V	60 Hz	450 W	5.9 A	NEMA 5-15P	163 lbs. (74 kg)
	3/8 hp	220/230/240 V	50 Hz	826/904/984 W	3.8/3.9/4.1 A	CEE 7/7 Schuko, BS-1363, AS 3112	
	1/3 hp		60 Hz	1129/1234/1344 W	5.1/5.4/5.6 A		
CSBF-48-F	1/3 hp	120 V	60 Hz	450 W	5.9 A	NEMA 5-15P	144 lbs. (65 kg)
	3/8 hp	220/230/240 V	50 Hz	826/904/984 W	3.8/3.9/4.1 A	CEE 7/7 Schuko, BS-1363, AS 3112	
	1/3 hp		60 Hz	1129/1234/1344 W	5.1/5.4/5.6 A		
CSBF-48-I	1/3 hp	120 V	60 Hz	450 W	5.9 A	NEMA 5-15P	173 lbs. (78 kg)
	3/8 hp	220/230/240 V	50 Hz	826/904/984 W	3.8/3.9/4.1 A	CEE 7/7 Schuko, BS-1363, AS 3112	
	1/3 hp		60 Hz	1129/1234/1344 W	5.1/5.4/5.6 A		
CSBF-48-S	5/8 hp	120 V	60 Hz	800 W	8.7 A	NEMA 5-15P	176 lbs. (80 kg)
	1/2 hp	220/230/240 V	50 Hz	826/904/984 W	3.8/3.9/4.1 A	CEE 7/7 Schuko, BS-1363, AS 3112	
	5/8 hp		60 Hz	1956/2138/2328 W	8.9/9.3/9.7 A		

The shaded areas contain electrical information for **International models only**.

NOTE: Shipping weight includes packaging and is estimated.

Electrical Rating Chart — CSSBF Models

Model	Compressor Size	Volts	Hertz	Watts	Amps	Plug Configuration	Shipping Weight
CSSBF-24-F	1/5 hp	120 V	60 Hz	300 W	3.8	NEMA 5-15P	101 lbs. (46 kg)
	1/3 hp	220/230/240 V	50 Hz	1089/1190/1296 W	5.0/5.2/5.4 A	CEE 7/7 Schuko, BS-1363, AS 3112	
60 Hz			1129/1234/1344 W	5.1/5.4/5.6 A			
CSSBF-24-I	1/5 hp	120 V	60 Hz	300 W	3.8 A	NEMA 5-15P	115 lbs. (52 kg)
	1/3 hp	220/230/240 V	50 Hz	1089/1190/1296 W	5.0/5.2/5.4 A	CEE 7/7 Schuko, BS-1363, AS 3112	
60 Hz			1129/1234/1344 W	5.1/5.4/5.6 A			
CSSBF-24-S	1/5 hp	120 V	60 Hz	300 W	3.8 A	NEMA 5-15P	131 lbs. (59 kg)
	1/3 hp	220/230/240 V	50 Hz	1089/1190/1296 W	5.0/5.2/5.4 A	CEE 7/7 Schuko, BS-1363, AS 3112	
60 Hz			1129/1234/1344 W	5.1/5.4/5.6 A			
CSSBF-36-F	1/5 hp	120 V	60 Hz	300 W	3.8 A	NEMA 5-15P	130 lbs. (59 kg)
	1/3 hp	220/230/240 V	50 Hz	1089/1190/1296 W	5.0/5.2/5.4 A	CEE 7/7 Schuko, BS-1363, AS 3112	
60 Hz			1129/1234/1344 W	5.1/5.4/5.6 A			
CSSBF-36-I	1/3 hp	120 V	60 Hz	450 W	5.9 A	NEMA 5-15P	146 lbs. (66 kg)
	3/8 hp	220/230/240 V	50 Hz	826/904/984 W	3.8/3.9/4.1 A	CEE 7/7 Schuko, BS-1363, AS 3112	
	1/3 hp		60 Hz	1129/1234/1344 W	5.1/5.4/5.6 A		
CSSBF-36-S	1/3 hp	120 V	60 Hz	450 W	5.9 A	NEMA 5-15P	173 lbs. (78 kg)
	3/8 hp	220/230/240 V	50 Hz	826/904/984 W	3.8/3.9/4.1 A	CEE 7/7 Schuko, BS-1363, AS 3112	
	1/3 hp		60 Hz	1129/1234/1344 W	5.1/5.4/5.6 A		
CSSBF-48-F	1/3 hp	120 V	60 Hz	450 W	5.9 A	NEMA 5-15P	153 lbs. (69 kg)
	3/8 hp	220/230/240 V	50 Hz	826/904/984 W	3.8/3.9/4.1 A	CEE 7/7 Schuko, BS-1363, AS 3112	
	1/3 hp		60 Hz	1129/1234/1344 W	5.1/5.4/5.6 A		
CSSBF-48-I	1/3 hp	120 V	60 Hz	450 W	5.9 A	NEMA 5-15P	187 lbs. (85 kg)
	3/8 hp	220/230/240 V	50 Hz	826/904/984 W	3.8/3.9/4.1 A	CEE 7/7 Schuko, BS-1363, AS 3112	
	1/3 hp		60 Hz	1129/1234/1344 W	5.1/5.4/5.6 A		
CSSBF-48-S	5/8 hp	120 V	60 Hz	800 W	8.7 A	NEMA 5-15P	195 lbs. (89 kg)
	1/2 hp	220/230/240 V	50 Hz	826/904/984 W	3.8/3.9/4.1 A	CEE 7/7 Schuko, BS-1363, AS 3112	
	5/8 hp		60 Hz	1956/2138/2328 W	8.9/9.3/9.7 A		

The shaded areas contain electrical information for **International models only**.

NOTE: Shipping weight includes packaging and is estimated.

Electrical Rating Chart — CSU Models

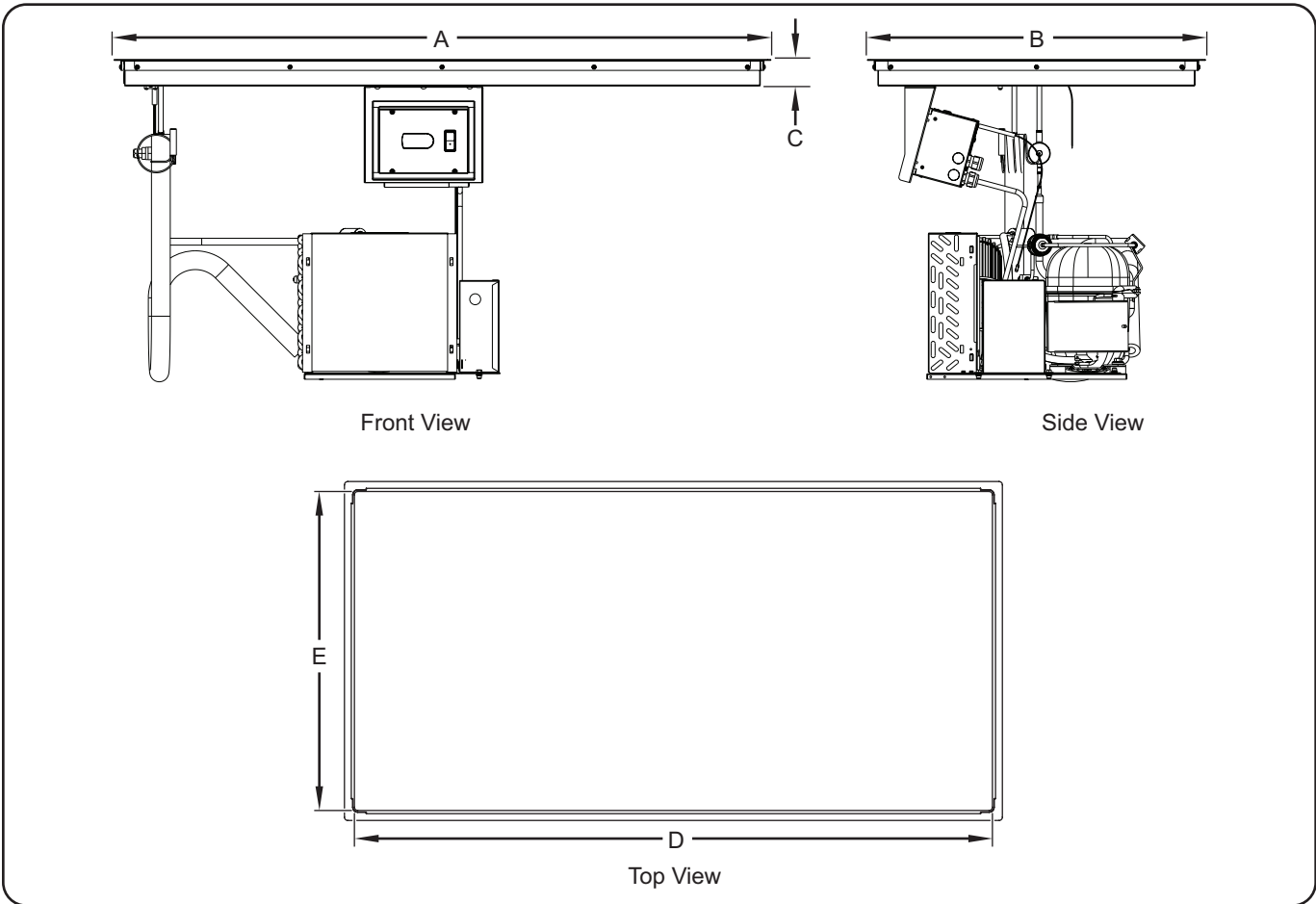
Model	Compressor Size	Volts	Hertz	Watts	Amps	Plug Configuration	Shipping Weight
CSU-24-F	1/5 hp	120 V	60 Hz	300 W	3.8 A	NEMA 5-15P	101 lbs. (46 kg)
	1/3 hp	220/230/240 V	50 Hz	1089/1190/1296 W	5.0/5.2/5.4 A	CEE 7/7 Schuko, BS-1363, AS 3112	
			60 Hz	1129/1234/1344 W	5.1/5.4/5.6 A		
CSU-24-I	1/5 hp	120 V	60 Hz	300 W	3.8 A	NEMA 5-15P	115 lbs. (52 kg)
	1/3 hp	220/230/240 V	50 Hz	1089/1190/1296 W	5.0/5.2/5.4 A	CEE 7/7 Schuko, BS-1363, AS 3112	
			60 Hz	1129/1234/1344 W	5.1/5.4/5.6 A		
CSU-24-S	1/5 hp	120 V	60 Hz	300 W	3.8 A	NEMA 5-15P	131 lbs. (59 kg)
	1/3 hp	220/230/240 V	50 Hz	1089/1190/1296 W	5.0/5.2/5.4 A	CEE 7/7 Schuko, BS-1363, AS 3112	
			60 Hz	1129/1234/1344 W	5.1/5.4/5.6 A		
CSU-36-F	1/5 hp	120 V	60 Hz	300 W	3.8 A	NEMA 5-15P	130 lbs. (59 kg)
	1/3 hp	220/230/240 V	50 Hz	1089/1190/1296 W	5.0/5.2/5.4 A	CEE 7/7 Schuko, BS-1363, AS 3112	
			60 Hz	1129/1234/1344 W	5.1/5.4/5.6 A		
CSU-36-I	1/3 hp	120 V	60 Hz	450 W	5.9 A	NEMA 5-15P	146 lbs. (66 kg)
	3/8 hp	220/230/240 V	50 Hz	826/904/984 W	3.8/3.9/4.1 A	CEE 7/7 Schuko, BS-1363, AS 3112	
	1/3 hp		60 Hz	1129/1234/1344 W	5.1/5.4/5.6 A		
CSU-36-S	1/3 hp	120 V	60 Hz	450 W	5.9 A	NEMA 5-15P	173 lbs. (78 kg)
	3/8 hp	220/230/240 V	50 Hz	826/904/984 W	3.8/3.9/4.1 A	CEE 7/7 Schuko, BS-1363, AS 3112	
	1/3 hp		60 Hz	1129/1234/1344 W	5.1/5.4/5.6 A		
CSU-48-F	1/3 hp	120 V	60 Hz	450 W	5.9 A	NEMA 5-15P	153 lbs. (69 kg)
	3/8 hp	220/230/240 V	50 Hz	826/904/984 W	3.8/3.9/4.1 A	CEE 7/7 Schuko, BS-1363, AS 3112	
	1/3 hp		60 Hz	1129/1234/1344 W	5.1/5.4/5.6 A		
CSU-48-I	1/3 hp	120 V	60 Hz	450 W	5.9 A	NEMA 5-15P	187 lbs. (85 kg)
	3/8 hp	220/230/240 V	50 Hz	826/904/984 W	3.8/3.9/4.1 A	CEE 7/7 Schuko, BS-1363, AS 3112	
	1/3 hp		60 Hz	1129/1234/1344 W	5.1/5.4/5.6 A		
CSU-48-S	5/8 hp	120 V	60 Hz	800 W	8.7 A	NEMA 5-15P	195 lbs. (89 kg)
	1/2 hp	220/230/240 V	50 Hz	826/904/984 W	3.8/3.9/4.1 A	CEE 7/7 Schuko, BS-1363, AS 3112	
	5/8 hp		60 Hz	1956/2138/2328 W	8.9/9.3/9.7 A		

The shaded areas contain electrical information for **International models only**.

NOTE: Shipping weight includes packaging and is estimated.

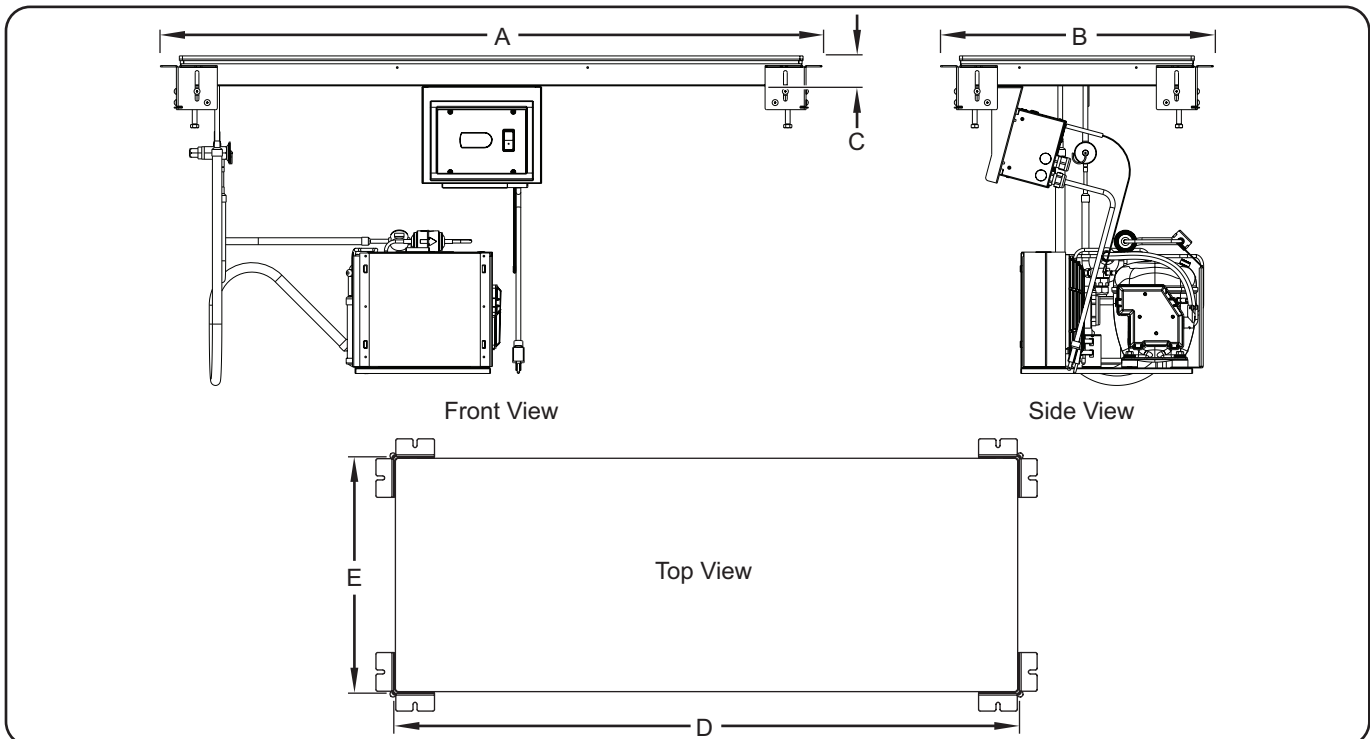
Dimensions — CSBF Models

Model	Width (A)	Depth (B)	Height (C)	Cooled Width (D)	Cooled Depth (E)		
CSBF-24-F	25-1/2" (648 mm)	17" (432 mm)	2-1/8" (54 mm)	24" (610 mm)	15-1/2" (394 mm)		
CSBF-24-I		21" (533 mm)			19-1/2" (495 mm)		
CSBF-24-S		25-1/2" (648 mm)			24" (610 mm)		
CSBF-36-F	37-1/2" (953 mm)	17" (432 mm)		36" (914 mm)	15-1/2" (394 mm)		
CSBF-36-I		21" (533 mm)				19-1/2" (495 mm)	
CSBF-36-S		25-1/2" (648 mm)				24" (610 mm)	
CSBF-48-F	49-1/2" (1257 mm)	17" (432 mm)			48" (1219 mm)	15-1/2" (394 mm)	
CSBF-48-I		21" (533 mm)					19-1/2" (495 mm)
CSBF-48-S		25-1/2" (648 mm)					24" (610 mm)



Dimensions — CSSB and CSSBF Models

Model	Width (A)	Depth (B)	Height (C)	Cooled Width (D)	Cooled Depth (E)
CSSB-2418	27" (686 mm)	21" (533 mm)	2-3/8" (60 mm)	24" (610 mm)	18" (457 mm)
CSSB-3018	33" (838 mm)			30" (762 mm)	
CSSB-3618	39" (991 mm)			36" (914 mm)	
CSSB-4818	51" (1295 mm)			48" (1219 mm)	
CSSBF-24-F	27" (686 mm)	18-1/2" (470 mm)	2-3/8" (60 mm)	24" (610 mm)	15-1/2" (394 mm)
CSSBF-24-I		22-1/2" (572 mm)			19-1/2" (495 mm)
CSSBF-24-S		27" (686 mm)			24" (610 mm)
CSSBF-36-F	39" (991 mm)	18-1/2" (470 mm)	2-3/8" (60 mm)	36" (914 mm)	15-1/2" (394 mm)
CSSBF-36-I		22-1/2" (572 mm)			19-1/2" (495 mm)
CSSBF-36-S		27" (686 mm)			24" (610 mm)
CSSBF-48-F	51" (1295 mm)	18-1/2" (470 mm)	2-3/8" (60 mm)	48" (1219 mm)	15-1/2" (394 mm)
CSSBF-48-I		22-1/2" (572 mm)			19-1/2" (495 mm)
CSSBF-48-S		27" (686 mm)			24" (610 mm)



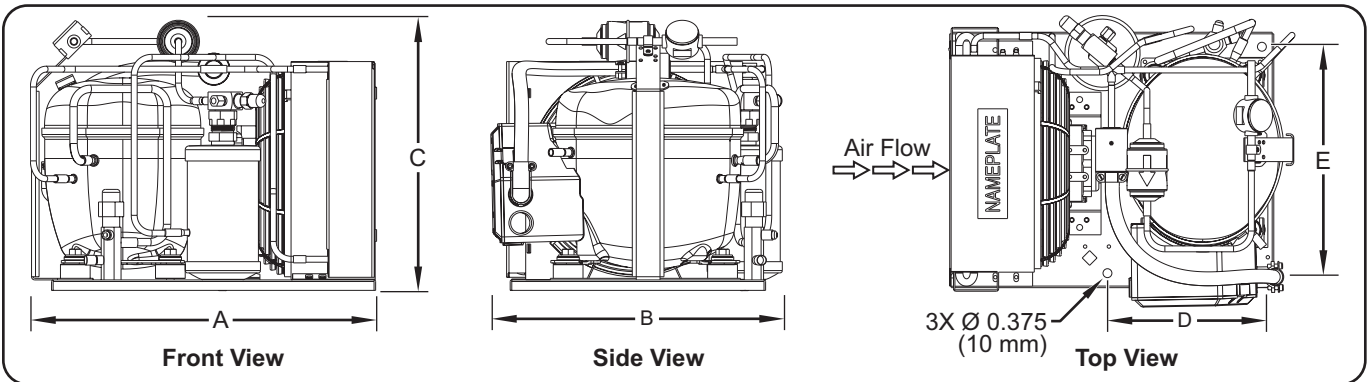
Dimensions — CSU Models

Model	Width (A)	Depth (B)	Height (C)	Cooled Width (D)	Cooled Depth (E)	
CSU-24-F	27-5/16" (694 mm)	18-13/16" (478 mm)	2-1/8" (54 mm)	24" (610 mm)	15-1/2" (394 mm)	
CSU-24-I		22-13/16" (579 mm)			19-1/2" (495 mm)	
CSU-24-S		27-5/16" (694 mm)			24" (610 mm)	
CSU-36-F	39-5/16" (998 mm)	18-13/16" (478 mm)		36" (914 mm)	15-1/2" (394 mm)	
CSU-36-I		22-13/16" (579 mm)				19-1/2" (495 mm)
CSU-36-S		27-5/16" (694 mm)				24" (610 mm)
CSU-48-F	51-5/16" (1303 mm)	18-13/16" (478 mm)		48" (1219 mm)	15-1/2" (394 mm)	
CSU-48-I		22-13/16" (579 mm)				19-1/2" (495 mm)
CSU-48-S		27-5/16" (694 mm)				24" (610 mm)

NOTE: See dimension illustration for CSSB and CSSBF Models on previous page for reference.

Dimensions — Condensing Unit

Models	Width (A)	Depth (B)	Height (C)	Mounting Hole Width (D)	Mounting Hole Depth (E)
CSBF, CSB, CSU, CSSBF -24-F, -24-I, -24-S, -36F CSSB-2418, -3018, -3618	14-5/8" (371 mm)	12-1/4" (312 mm)	11-3/8" (289 mm)	6-1/2" (165 mm)	9-1/2" (242 mm)
CSBF, CSB, CSU, CSSBF -36-I, -36-S, -48-F, -48-I CSSB-4818	14-1/2" (369 mm)	12-1/4" (312 mm)	11-3/8" (289 mm)	6-1/2" (165 mm)	9-1/2" (242 mm)
120 V, 60 Hz CSBF-48-S, CSB-48-S, CSU-48-S, CSSBF-48-S	17-1/2" (444 mm)	16-3/8" (415 mm)	12-1/8" (306 mm)	9-1/4" (235 mm)	11-1/4" (286 mm)
220-230-240 V, 60 Hz CSBF-48-S, CSB-48-S, CSU-48-S, CSSBF-48-S	18-7/8" (479 mm)	16-3/8" (415 mm)	11-3/4" (300 mm)	9-1/4" (235 mm)	11-1/4" (286 mm)
220-230-240 V, 50 Hz CSBF-48-S, CSB-48-S, CSU-48-S, CSSBF-48-S	16-1/2" (420 mm)	13" (331 mm)	12-1/8" (306 mm)	9-1/4" (235 mm)	11-1/4" (286 mm)



General

Cold Shelves are shipped from the factory completely assembled and ready for use. Use the following information and procedures to prepare the unit and the installation site.

NOTE: Make sure the installation location provides enough room for the condensing unit and the remote control box.



ELECTRIC SHOCK HAZARD:

- Plug unit into a properly grounded electrical receptacle of the correct voltage, size, and plug configuration. If plug and receptacle do not match, contact a qualified electrician to determine and install proper voltage and size electrical receptacle.
- Unit is not weatherproof. Locate unit indoors.
- Remote control box must be mounted on vertical wall and installed in vertical position. Mounting remote control box in horizontal position may result in collection of liquids and lead to electric shock.

FIRE HAZARD: Install condensing unit with a minimum of 2" (51 mm) of space between all sides of unit and any combustible surfaces.



Locate the unit at the proper counter height in an area that is convenient for use. The location should be level and strong enough to support the weight of the unit and contents.

NOTICE

Transport and install unit in upright position only. Failure to do so may result in damage to refrigeration system.

This unit is designed for use in environments where ambient temperature is between 65°F (18°C) and 86°F (30°C).

When shipped during cold weather months, store unit for at least 10 hours in an environment where ambient temperature is between 65°F (18°C) and 86°F (30°C) to prevent compressor and/or refrigerant line damage. If unit is turned on and there is excessive noise and vibration, turn off immediately and allow additional warmup time.

Provide louvered or grill-style openings with a minimum size of 12" x 12"/144 square inches (31 x 31 cm/961 square cm) in the cabinetry in front of and behind the condensing unit for proper ventilation. Failure to provide adequate air flow through the condensing unit may cause unit failure and will void the unit warranty.

Do not recirculate exhaust air inside cabinet when multiple condensing units are installed together. Intake air should enter from outside of cabinet.

Do not locate unit in area with excessive air movement around unit. Avoid areas that may be subject to active air movements or currents (i.e., near exhaust fans/hoods, air conditioning ducts, and exterior doors).

Do not locate unit in an area subject to excessive temperatures or grease from grills, fryers, etc. Excessive temperatures could cause damage to the unit.

Damage to any countertop material caused by heat or cold generated from Hatco equipment is not covered under the Hatco warranty. Contact manufacturer of countertop material for application information.

All Cold Shelves are shipped in a shipping frame for protection and stability. Keep the unit in the shipping frame until the unit and the installation site are completely prepared for the unit to be installed.

Survey the installation site. Take into account the need for louvered or grill-style openings in the cabinetry to provide proper ventilation for the condensing unit as well as access to the control box. One of these ventilation openings must be in front of the condensing coils with the other on the opposite side. If multiple condensing units are installed in the same counter, each unit should intake cool air and expel hot air.

1. Remove all external packaging from the unit.

NOTE: To prevent delay in obtaining warranty coverage, complete online warranty registration. See the IMPORTANT OWNER INFORMATION section for details.

2. Remove tape, protective packaging, and literature from all surfaces of the unit.

Preparing the Installation Site

1. Prepare the appropriate opening and mounting bolt holes in the countertop for the unit being installed.
 - For top mounted CSBF models, refer to the "Countertop Cutout Dimensions — CSBF Models," in this section.
 - For bottom mounted CSSB and CSSBF models, refer to the "Countertop Cutout and Mounting Bolt Dimensions — CSSB and CSSBF Models," in this section.
 - For underside, surface mounted CSU models, refer to the "Mounting Bolt Dimensions—CSU Models" in this section. Make sure the countertop is a solid surface material with good heat transfer characteristics, such as stainless steel, granite, quartz, Corian®, etc... The thickness of the countertop should be 1-3/16" (30 mm) or less.

NOTE: The performance of each type of solid surface material will vary dependant upon the material's characteristics.

2. If installing the remote control box, cut and drill the appropriate holes in the vertical surface where the control box will be installed. Refer to the "Installing the Remote Control Box" procedure for cutout dimensions.
 - The installation depth required for the control box is 8-1/2" (216 mm).
3. Make structural modifications or add bracing underneath the countertop to ensure the countertop will support the weight of the unit and its contents.
4. Make sure the following cabinet interior specifications and clearances are available:
 - A level, stable surface for mounting the condensing unit within 4' (1219 mm) of the connections on the bottom of the cold shelf. Refer to the SPECIFICATIONS section for installation dimensions.
 - A minimum 6" (152 mm) clearance between the condensing unit and any combustible surface.
5. Cut two openings in the cabinetry to provide proper ventilation for the condensing unit. Louvered or grill-style panels should be installed in the openings to protect the condensing unit.
 - Openings should be a minimum of 12" x 12" (31 x 31 cm) or 144 square inches (961 square cm).
 - One opening should be located in front of the condenser coils with the other opening on the opposite side.
6. Install the unit. Refer to the appropriate procedure in this section for the model being installed.

Installing a Top Mounted Unit (CSBF Models)

NOTICE

Use caution and avoid hitting condensing unit hoses/lines when installing unit. Damage caused during installation is not covered under warranty.

1. Lift the unit out of the shipping frame and carefully lower it into the countertop cutout. This step requires two or more people, depending on the unit.
2. Apply a bead of National Sanitation Foundation (NSF)-approved silicone sealant on the top edge of the countertop cutout and the underside of the trim mounting ring. The sealant must be rated for use at temperatures between -10°F (-23°C) and 250°F (121°C).

IMPORTANT NOTE

The condensing unit is shipped “loose” from the cold shelf. They are attached only by the flexible tubing that connects the condensing unit to the evaporator coil in the cold shelf. Use caution during installation and avoid putting strain on the flexible tubing.

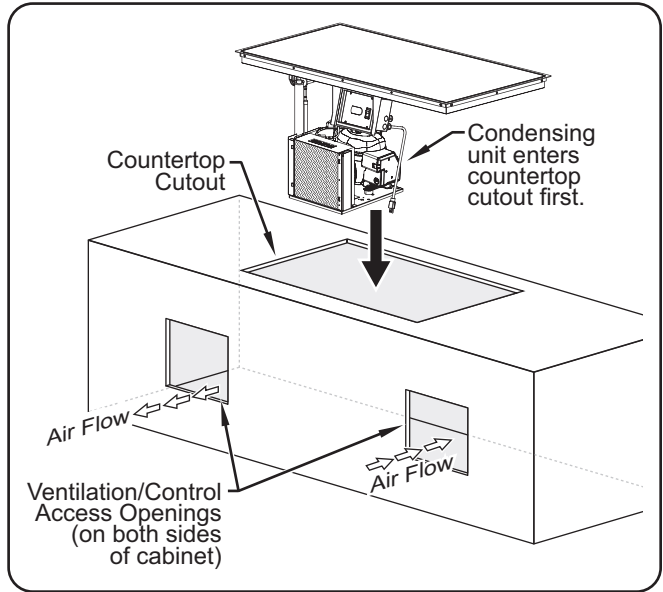
3. Lift the cold shelf followed by the condensing unit out of the wooden shipping frame and carefully lower them into the countertop cutout. This step requires two or more people.
 - The condensing unit must go into the cutout first and be fastened to a level, stable surface within 4’ (1219 mm) of the connections on the bottom of the cold shelf. Refer to the SPECIFICATIONS section for installation dimensions.
4. Install the remote control box in the desired location, if installing remotely.
 - The control box can be installed remotely within 4’ (1219 mm) of the condensing unit. Refer to the “Installing the Remote Control Box” procedure in this section.

NOTE: The control box can be installed within 7-1/2’ (2286 mm) of the condensing unit with an optional 7-1/2’ (2286 mm) control cable.

CAUTION

DO NOT tip unit/mounting surface after final installation. Unit is free-floating and could fall out if tipped—for permanent, horizontal installations only.

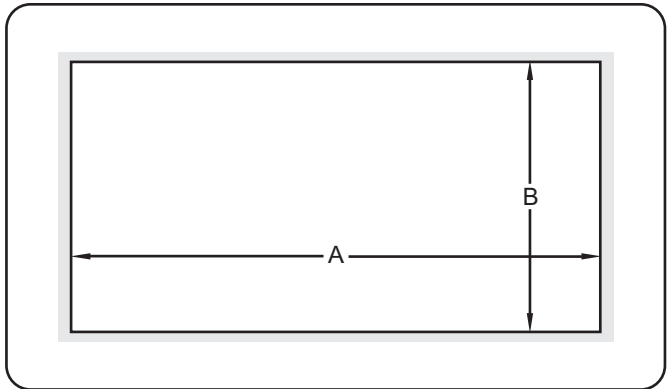
5. Clean the cold surface thoroughly in preparation for initial operation. Refer to the MAINTENANCE section for proper cleaning procedures.
6. Plug the unit into a properly grounded electrical receptacle of the correct voltage, size, and plug configuration. See the SPECIFICATIONS section for details.



Installing a CSBF Model Cold Shelf

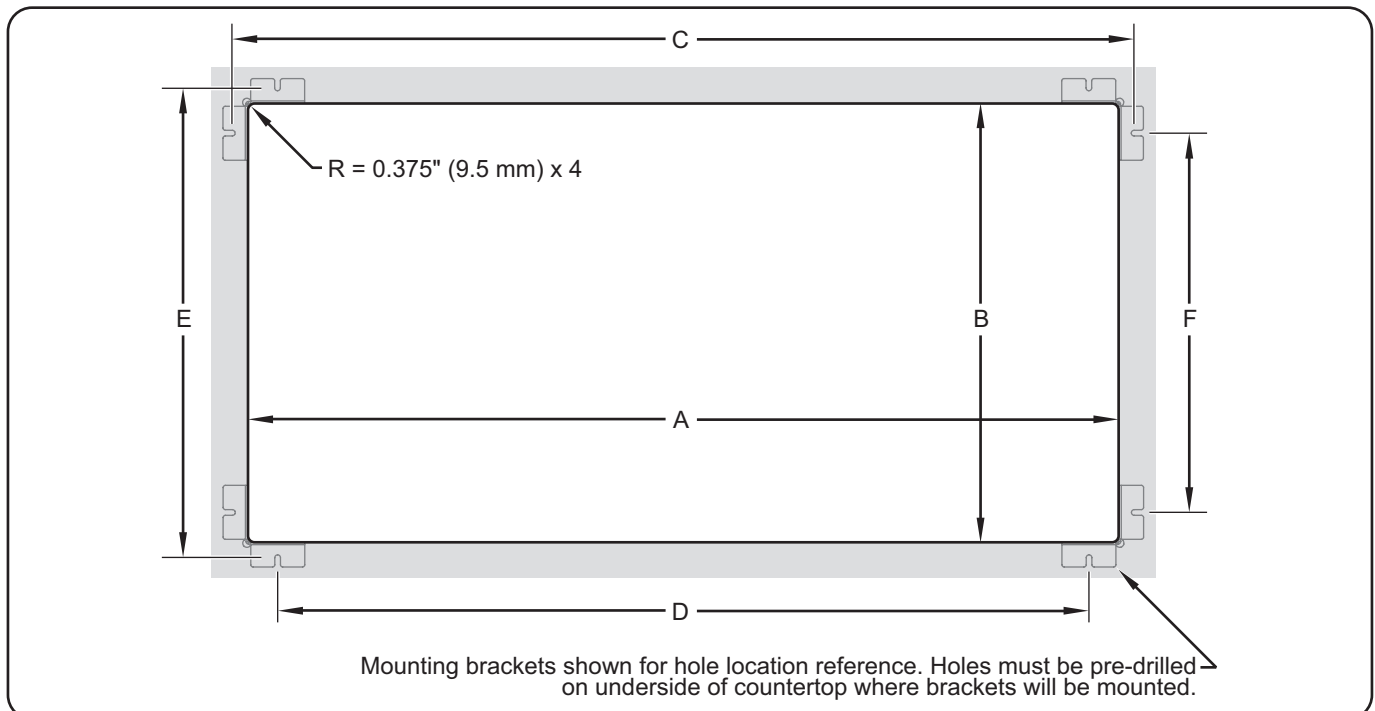
Countertop Cutout Dimensions — CSBF Models

Model	Width (A)	Depth (B)
CSBF-24-F	24-5/8" to 25" (625 to 635 mm)	16-1/8" to 16-1/2" (409 to 419 mm)
CSBF-24-I	24-5/8" to 25" (625 to 635 mm)	20-1/8" to 20-1/2" (511 to 521 mm)
CSBF-24-S	24-5/8" to 25" (625 to 635 mm)	24-5/8" to 25" (625 to 635 mm)
CSBF-36-F	36-5/8" to 37" (930 to 940 mm)	16-1/8" to 16-1/2" (409 to 419 mm)
CSBF-36-I	36-5/8" to 37" (930 to 940 mm)	20-1/8" to 20-1/2" (511 to 521 mm)
CSBF-36-S	36-5/8" to 37" (930 to 940 mm)	24-5/8" to 25" (625 to 635 mm)
CSBF-48-F	48-5/8" to 49" (1234 to 1245 mm)	16-1/8" to 16-1/2" (409 to 419 mm)
CSBF-48-I	48-5/8" to 49" (1234 to 1245 mm)	20-1/8" to 20-1/2" (511 to 521 mm)
CSBF-48-S	48-5/8" to 49" (1234 to 1245 mm)	24-5/8" to 25" (625 to 635 mm)



Countertop Cutout and Mounting Bolt Dimensions — CSSB and CSSBF Models

Model	Cutout Width (A)	Cutout Depth (B)	Bolt Hole Location (C)	Bolt Hole Location (D)	Bolt Hole Location (E)	Bolt Hole Location (F)
CSSB-2418	24-3/8" (619 mm)	18-3/8" (467 mm)	26-3/8" (670 mm)	21" (533 mm)	20-3/8" (517 mm)	15" (380 mm)
CSSB-3018	30-3/8" (772 mm)	18-3/8" (467 mm)	32-3/8" (822 mm)	27" (685 mm)	20-3/8" (517 mm)	15" (380 mm)
CSSB-3618	36-3/8" (924 mm)	18-3/8" (467 mm)	38-3/8" (974 mm)	33" (837 mm)	20-3/8" (517 mm)	15" (380 mm)
CSSB-4818	48-3/8" (1229 mm)	18-3/8" (467 mm)	50-3/8" (1279 mm)	45" (1142 mm)	20-3/8" (517 mm)	15" (380 mm)
CSSBF-24-F	24-3/8" (619 mm)	15-7/8" (403 mm)	26-3/8" (670 mm)	21" (533 mm)	17-7/8" (454 mm)	12-1/2" (317 mm)
CSSBF-24-I	24-3/8" (619 mm)	19-7/8" (505 mm)	26-3/8" (670 mm)	21" (533 mm)	21-7/8" (555 mm)	16-1/2" (418 mm)
CSSBF-24-S	24-3/8" (619 mm)	24-3/8" (619 mm)	26-3/8" (670 mm)	21" (533 mm)	26-3/8" (670 mm)	21" (533 mm)
CSSBF-36-F	36-3/8" (924 mm)	15-7/8" (403 mm)	38-3/8" (974 mm)	33" (837 mm)	17-7/8" (454 mm)	12-1/2" (317 mm)
CSSBF-36-I	36-3/8" (924 mm)	19-7/8" (505 mm)	38-3/8" (974 mm)	33" (837 mm)	21-7/8" (555 mm)	16-1/2" (418 mm)
CSSBF-36-S	36-3/8" (924 mm)	24-3/8" (619 mm)	38-3/8" (974 mm)	33" (837 mm)	26-3/8" (670 mm)	21" (533 mm)
CSSBF-48-F	48-3/8" (1229 mm)	15-7/8" (403 mm)	50-3/8" (1279 mm)	45" (1142 mm)	17-7/8" (454 mm)	12-1/2" (317 mm)
CSSBF-48-I	48-3/8" (1229 mm)	19-7/8" (505 mm)	50-3/8" (1279 mm)	45" (1142 mm)	21-7/8" (555 mm)	16-1/2" (418 mm)
CSSBF-48-S	48-3/8" (1229 mm)	24-3/8" (619 mm)	50-3/8" (1279 mm)	45" (1142 mm)	26-3/8" (670 mm)	21" (533 mm)



Installing a Bottom Mounted Unit (CSSB and CSSBF Models)

NOTICE

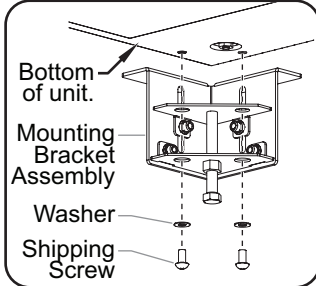
Use caution and avoid hitting condensing unit hoses/lines when installing unit. Damage caused during installation is not covered under warranty.

1. Remove the mounting bracket assembly from each corner of the cold shelf. To remove:

a. Remove the two shipping screws and washers that attach each mounting bracket assembly to the bottom of the unit.

b. Carefully lift the cold shelf above the wooden shipping frame, and rotate it far enough to allow the unit to be set back down on top of the frame (the mounting brackets will stay on the frame or fall out the bottom). Make sure the flexible tubes from the condensing unit are not strained or damaged. This step requires two or more people, depending on the unit.

c. Remove the mounting bracket assemblies from the frame, if necessary.



2. On each mounting bracket assembly, remove the shipping screws and the triangular shipping bracket that was used to attach the mounting bracket assembly to the bottom of the cold shelf, and discard.

3. Attach a mounting bracket assembly to the underside of the prepared countertop at each corner of the cutout.

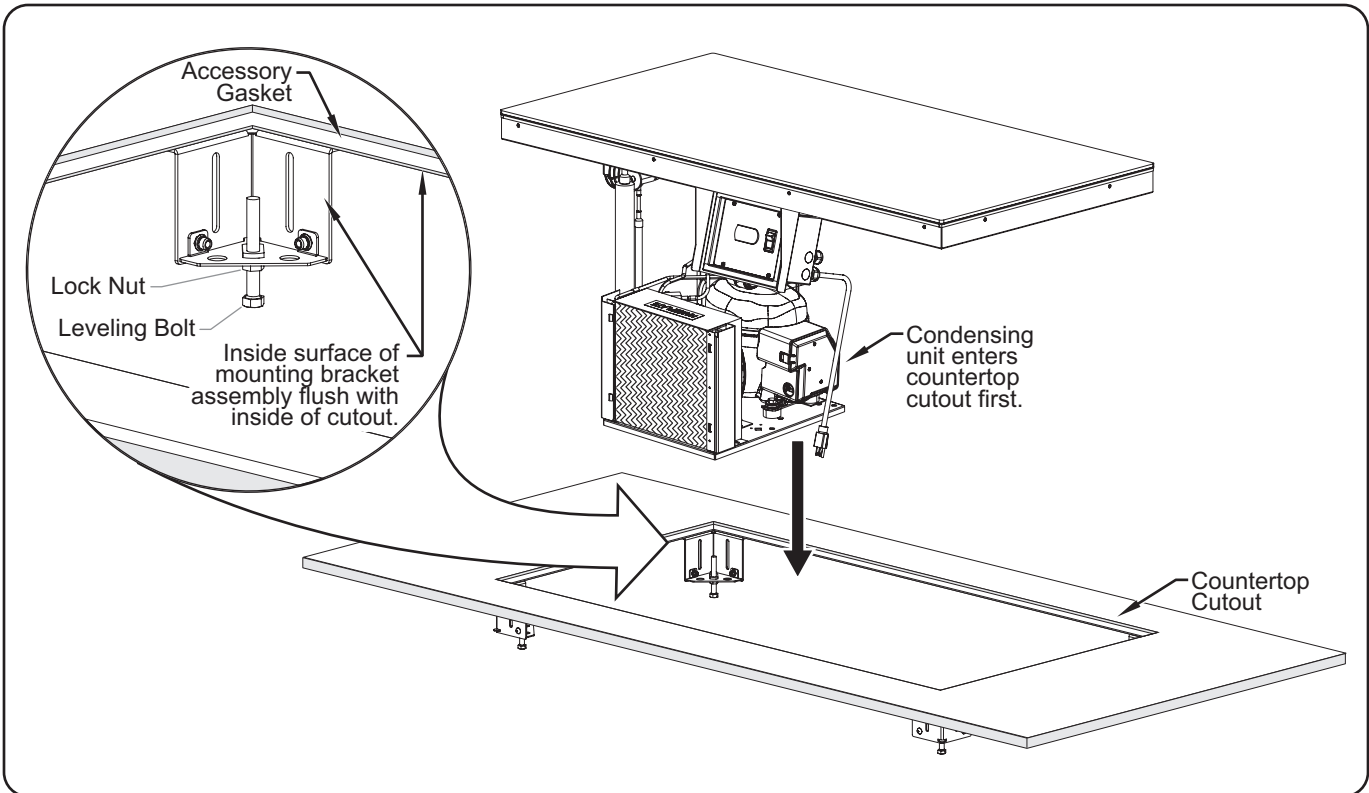
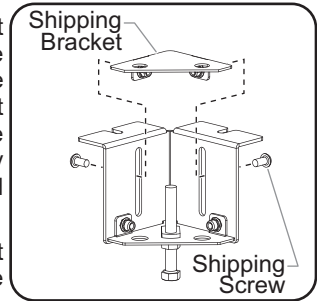
a. Align the u-shaped mounting holes on the mounting bracket with the two pre-drilled mounting holes on the underside of the countertop. The inside surface of the mounting bracket should be vertically flush with the inner surface of the countertop cutout.

b. Insert appropriate fasteners through the mounting bracket and into appropriate anchoring devices in the mounting holes on the underside of the countertop. Tighten securely.

4. Install the included self-adhesive gasket around the inner, vertical surface of the countertop cutout.

- The gasket should be positioned 1/4" (6 mm) below the top surface of the countertop.

NOTE: If the self-adhesive gasket is not available, provide a caulk backing around the inner, vertical surface of the countertop cutout 1/4" (6 mm) below the top surface of the countertop. This will prevent the silicone sealant applied later in this procedure from falling through the gap between the countertop and the cold shelf.

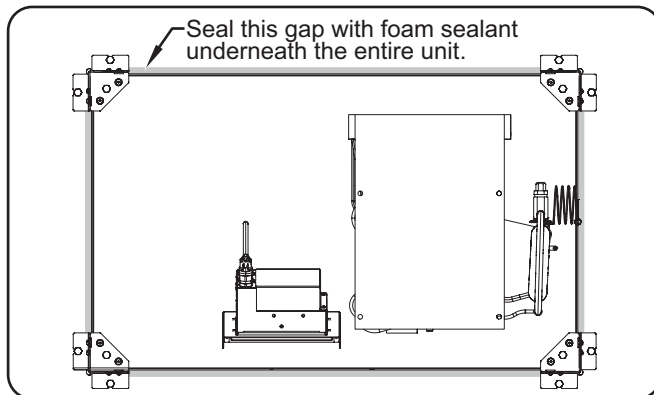


Installing a CSSBF Model Cold Shelf

5. Carefully lower the condensing unit followed by the cold shelf into the countertop cutout. This step requires two or more people.
 - The condensing unit must go into the cutout first and be fastened to a level, stable surface within 4' (1219 mm) of the connections on the bottom of the cold shelf. Refer to the SPECIFICATIONS section for installation dimensions.
 - The cold shelf rests on top of the four leveling bolts, which are part of the mounting bracket assembly installed at each corner of the countertop cutout.
6. Adjust the leveling bolts underneath each corner of the unit so that the shelf is flush or slightly below the countertop surface.
7. Tighten the lock nut on each leveling bolt to secure the position.
8. Apply a bead of NSF-approved silicone sealant in the gap between the countertop and the cold shelf. To apply a clean, consistent sealant bead:
 - a. Make sure the shelf is centered in the countertop cutout.
 - b. Install masking tape on each side of the gap to define the edge of the sealant.
 - c. Carefully apply sealant into the gap.
 - d. Quickly smooth the sealant surface.
 - e. Carefully remove the masking tape before the sealant dries.

NOTE: The silicone sealant must be rated for use at temperatures between -10°F (-23°C) and 250°F (121°C).

9. Apply polyurethane-based foam sealant in the gap underneath the countertop and the cold shelf.



Foam Sealant Gap

CAUTION

DO NOT tip unit/mounting surface after final installation. Unit is free-floating and could fall out if tipped—for permanent, horizontal installations only.

10. Install the control box in the desired location.
 - The control box can be installed remotely within 4' (1219 mm) of the condensing unit. Refer to the "Installing the Remote Control Box" procedure in this section.

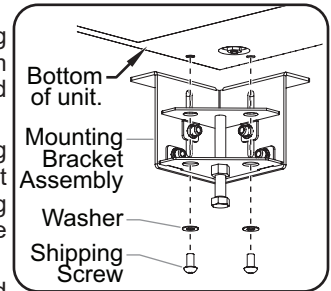
NOTE: The control box can be installed within 7-1/2' (2286 mm) of the condensing unit with an optional 7-1/2' (2286 mm) control cable.

11. Clean the cold shelf surface thoroughly in preparation for initial operation. Refer to the MAINTENANCE section for proper cleaning procedures.
12. Plug the unit into a properly grounded electrical receptacle of the correct voltage, size, and plug configuration. See the SPECIFICATIONS section for details.

Installing an Under Mounted Unit (CSU Models)

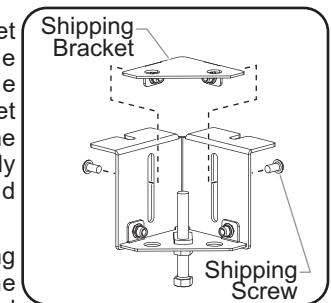
CSU Series units are surface mounted directly against the underside of a solid surface countertop. Cooling transfers through the countertop to the top side for a true, seamless installation.

1. Remove the mounting bracket assembly from each corner of the cold shelf. To remove:
 - a. Remove the two shipping screws and washers that attach each mounting bracket assembly to the bottom of the unit.



- b. Carefully lift the cold shelf above the wooden shipping frame, and rotate it far enough to allow the unit to be set back down on top of the frame (the mounting brackets will stay on the frame or fall out the bottom). Make sure the flexible tubes from the condensing unit are not strained or damaged. This step requires two or more people, depending on the unit.
 - c. Remove the mounting bracket assemblies from the frame, if necessary.

2. On each mounting bracket assembly, remove the shipping screws and the triangular shipping bracket that was used to attach the mounting bracket assembly to the bottom of the cold shelf, and discard.
3. Attach three of the mounting bracket assemblies to the underside of the prepared countertop at the pre-drilled locations. To attach each:
 - a. Align the u-shaped mounting holes on the mounting bracket with the two pre-drilled mounting holes on the underside of the countertop. The inside surface of the mounting bracket should be facing the unit.
 - b. Insert appropriate fasteners through the mounting bracket and into appropriate anchoring devices in the mounting holes on the underside of the countertop. Tighten securely.



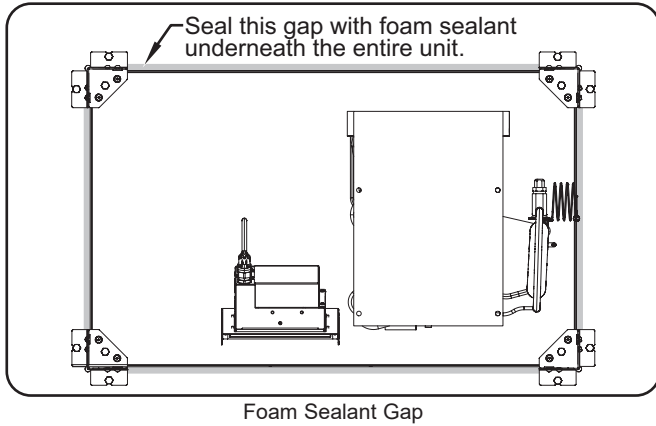
NOTE: See installation illustration on the following page.

- a. Align the u-shaped mounting holes on the mounting bracket with the two pre-drilled mounting holes on the underside of the countertop. The inside surface of the mounting bracket should be facing the unit.
 - b. Insert appropriate fasteners through the mounting bracket and into appropriate anchoring devices in the mounting holes on the underside of the countertop. Tighten securely.
4. Apply a layer of thermal mastic (included) to the top of the shelf using a 3/16" (5 mm) notched trowel (included).
5. Carefully lift the cold shelf up and into the three mounting brackets on the underside of the countertop. This step requires two or more people.

- The cold shelf rests on top of the leveling bolts, which are part of the mounting bracket assembly installed at each corner of the cold shelf.
- Slide one end of the cold shelf into the two brackets on one end while rotating it into the single bracket on the opposite end.
- The condensing unit must be fastened to a level, stable surface within 4' (1219 mm) of the connections on the bottom of the cold shelf. Refer to the SPECIFICATIONS section for installation dimensions.

continued...

6. Attach the fourth mounting bracket assembly to the underside of the countertop at the open corner of the cold shelf.
7. Adjust the leveling bolts underneath each corner of the unit so that the shelf is flush against the underside of the countertop.
8. Tighten the lock nut on each leveling bolt to secure the position.
9. Apply polyurethane-based foam sealant in the gap between the countertop and the cold shelf.



Installing the Remote Control Box

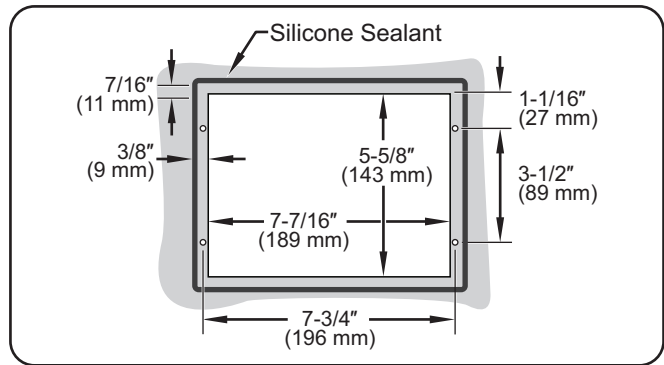
Use the following procedure to install the remote control box.



Control box must be mounted in a vertical surface. Mounting control box in a horizontal surface may result in the collection of liquids and lead to electric shock.

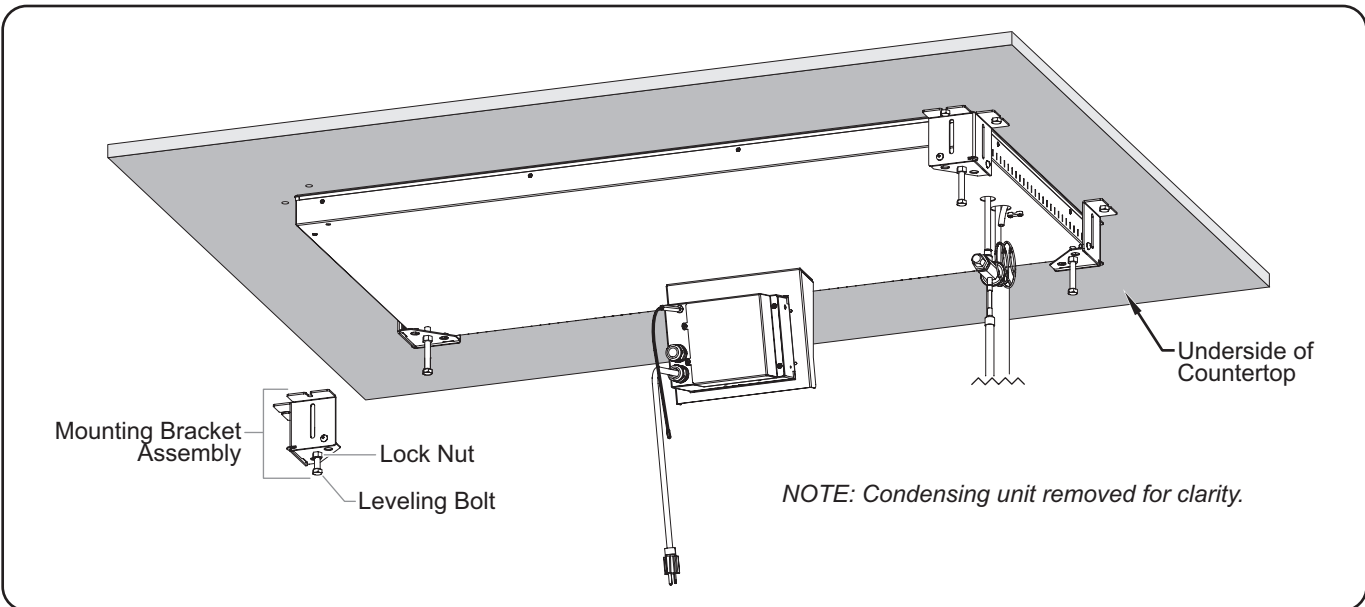
1. Cut and drill the appropriate holes in the mounting surface. Refer to the "Remote Control Box Cutout and Screw Hole Dimensions" illustration for the cutout dimensions.

2. Remove the four trim cover screws from the control box and remove the trim cover.
3. Position the control box into the cutout opening through the backside.
4. Fasten the control box to the vertical surface using four screws (not supplied).
5. Apply a 1/4" (6 mm) bead of NSF-approved silicone sealant where the trim cover will contact the cabinet surface. Refer to the "Remote Control Box Cutout and Screw Hole Dimensions" illustration for more information.
6. Reinstall the trim cover on the control box and secure in position using the four trim cover screws. Make sure to embed the trim cover edge into the silicone.



Remote Control Box Cutout and Screw Hole Dimensions

NOTE: Make sure the width of the control box cutout does not exceed the above dimension.



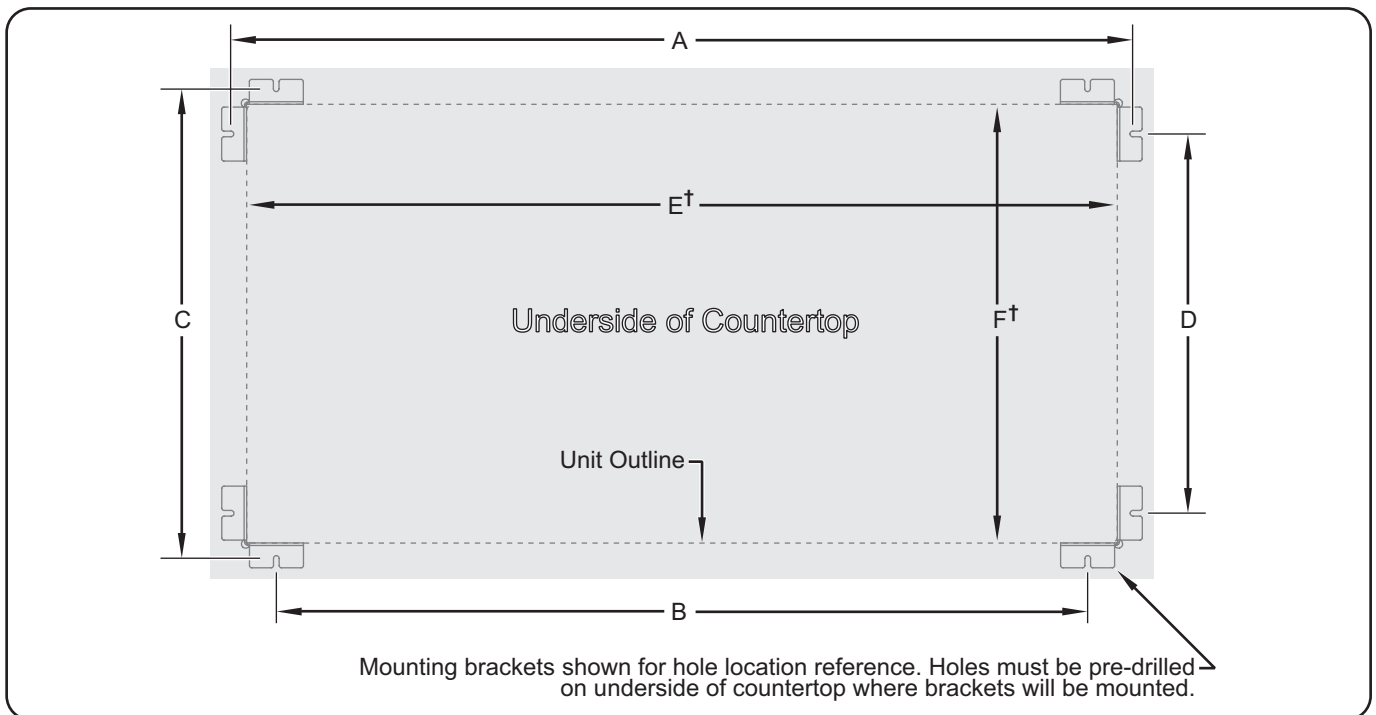
NOTE: Condensing unit removed for clarity.

Installing a CSU Model Cold Shelf

Mounting Bolt Dimensions — CSU Models

Model	Bolt Hole Location (A)	Bolt Hole Location (B)	Bolt Hole Location (C)	Bolt Hole Location (D)	Cutout Width (E) †	Cutout Depth (F) †
CSU-24-F	26-11/16" (677 mm)	21-5/16" (541 mm)	18-3/16" (462 mm)	12-13/16" (325 mm)	24-3/8" (619 mm)	15-7/8" (403 mm)
CSU-24-I	26-11/16" (677 mm)	21-5/16" (541 mm)	22-3/16" (563 mm)	16-13/16" (426 mm)	24-3/8" (619 mm)	19-7/8" (505 mm)
CSU-24-S	26-11/16" (677 mm)	21-5/16" (541 mm)	26-11/16" (677 mm)	21-5/16" (541 mm)	24-3/8" (619 mm)	24-3/8" (619 mm)
CSU-36-F	38-11/16" (982 mm)	33-5/16" (845 mm)	18-3/16" (462 mm)	12-13/16" (325 mm)	36-3/8" (924 mm)	15-7/8" (403 mm)
CSU-36-I	38-11/16" (982 mm)	33-5/16" (845 mm)	22-3/16" (563 mm)	16-13/16" (426 mm)	36-3/8" (924 mm)	19-7/8" (505 mm)
CSU-36-S	38-11/16" (982 mm)	33-5/16" (845 mm)	26-11/16" (677 mm)	21-5/16" (541 mm)	36-3/8" (924 mm)	24-3/8" (619 mm)
CSU-48-F	50-11/16" (1287 mm)	45-5/16" (1150 mm)	18-3/16" (462 mm)	12-13/16" (325 mm)	48-3/8" (1229 mm)	15-7/8" (403 mm)
CSU-48-I	50-11/16" (1287 mm)	45-5/16" (1150 mm)	22-3/16" (563 mm)	16-13/16" (426 mm)	48-3/8" (1229 mm)	19-7/8" (505 mm)
CSU-48-S	50-11/16" (1287 mm)	45-5/16" (1150 mm)	26-11/16" (677 mm)	21-5/16" (541 mm)	48-3/8" (1229 mm)	24-3/8" (619 mm)

† Cutout dimensions necessary only when additional construction underneath the finished countertop requires a cutout for the unit to pass through and contact the bottom of the countertop.



General

Use the following procedures to operate a Cold Shelf.



Read all safety messages in the Important Safety Information section before operating this equipment.

Make sure food product has been chilled to the proper food-safe temperature before placing in the unit. Failure to chill food product properly may result in serious health risks. This unit is for holding pre-chilled food product only.

This unit is for holding food for short periods of time. Never hold food longer than 4 hours.



This unit is designed for use in environments where ambient temperature is between 65°F (18°C) and 86°F (30°C).

When shipped during cold weather months, store unit in proper ambient temperature environment for 10 hours to prevent compressor and/or refrigerant line damage. If unit is turned on and there is excessive noise and vibration, turn off immediately and allow additional warm up time.

NOTE: If the display flashes between “OFF” and the current temperature, the unit is in standby mode. Press and hold the key for three seconds to return the unit to normal operation.

If the display flashes between “df” and the current temperature, the unit is in defrost mode. Press and hold the key for three seconds to return the unit to normal operation.

Startup

- For CSSB and CSSBF models, clean and sanitize the stone shelf using a clean, damp cloth and a sanitizer approved for food contact surfaces.
- Move the Power I/O (on/off) Switch to the I (on) position (located on the control panel).
 - The digital temperature controller will energize and “ON” will appear on the display, followed by the current temperature of the unit.
 - The symbol on the display will illuminate to show the condensing unit is active and chilling the shelf.

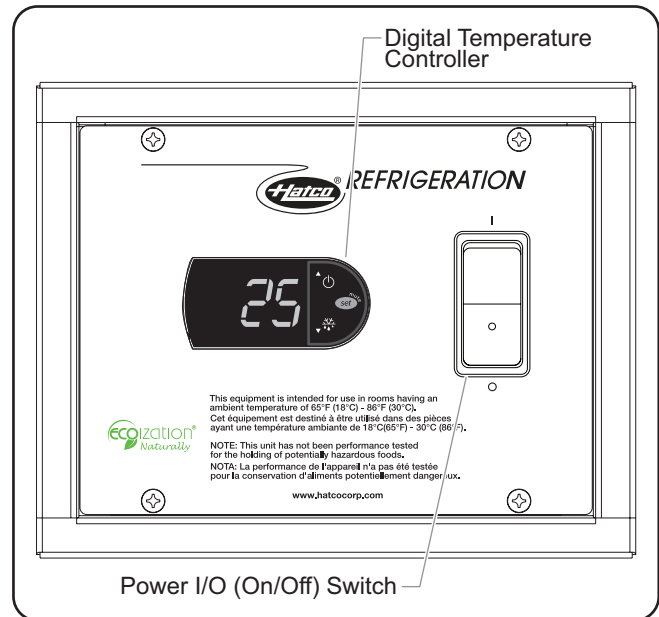
NOTE: The unit is pre-set at the factory to a setpoint temperature of 25°F (-4°C). If ambient conditions require adjustment to the setpoint temperature, refer to the “Changing the Setpoint Temperature” in this section.



Hatco Corporation is not responsible for the actual food product serving temperature. It is the responsibility of the user to ensure that the food product is held and served at a safe temperature.

- Allow the unit approximately 60 minutes to reach the setpoint temperature.

- Verify on the display that the unit has reached the proper setpoint temperature, and load the shelf with pans that contain pre-chilled food product.
 - For CSBF units, always use a food pan on the hardcoat aluminum surface. Do not place food directly onto surface.
 - Stir thick food items frequently to keep food chilled uniformly.



Control Panel

Shutdown

- Move the Power I/O (on/off) Switch to the O (off) position. The digital temperature controller and condensing unit will shut off.
- Perform the “Daily Cleaning” procedure in the MAINTENANCE section of this manual.



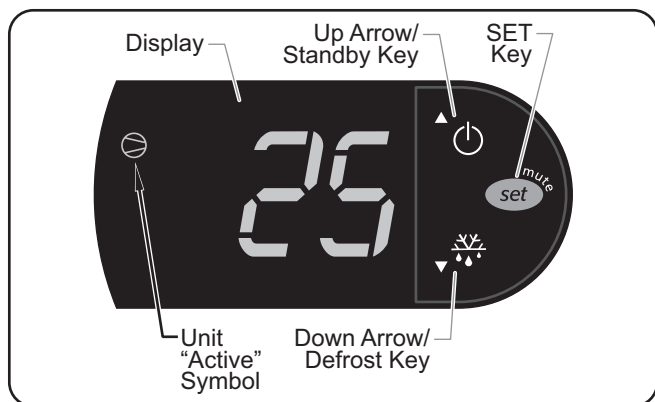
Clean unit daily to avoid malfunctions and maintain sanitary operation.

Changing the Setpoint Temperature

Use the following procedure to change the setpoint temperature on the digital temperature controller.

NOTE: Changes to the setpoint temperature should be made in small increments (1 to 2 degrees). Wait at least two hours after a change in setpoint temperature before checking for the desired result.

1. Press and hold the **set** key for one second until the display flashes the current setpoint temperature.
2. Press the \uparrow or \downarrow key to increase or decrease the setpoint temperature. If no key is pressed within 60 seconds, the display will revert to normal operation and the current temperature of the unit will be shown on the display.
3. Press the **set** key to lock in the new setpoint temperature. The display will revert to show the current temperature of the unit.



Digital Temperature Controller

NOTE: If the display flashes between "OFF" and the current temperature, the unit is in standby mode. Press and hold the \uparrow key for three seconds to return the unit to normal operation.

If the display flashes between "df" and the current temperature, the unit is in defrost mode. Press and hold the \downarrow key for three seconds to return the unit to normal operation.

Setting the Auto-Defrost Cycle

The digital temperature controller is programmed at the factory with the auto-defrost cycle deactivated. Use the following procedure to activate the auto-defrost cycle if ambient or operational conditions require the unit to defrost occasionally. When the unit is in a defrost cycle, \downarrow will appear on the display.

1. Press and hold the **set** key for three seconds to access programming mode. "PS" (password) will appear on the display.
2. Press the **set** key again. A numeric value will appear on the display.
3. Press the \uparrow or \downarrow key until the number "22" appears on the display, then press the **set** key.
4. Use the \uparrow or \downarrow key to scroll through the programmable parameters until "dl" (defrost interval) appears on the display.

5. Press the **set** key to select "dl". The current number of defrost cycles will be shown on the display. For new units, this value will be "0".

6. Press the \uparrow or \downarrow key within 60 seconds to scroll to the desired number of hours between defrost cycles. See below for examples of how the defrost cycle(s) operate:

"0" = auto-defrost is deactivated

"1" = unit will defrost every hour

"4" = unit will defrost every four hours

"12" = unit will defrost every twelve hours

If no key is pressed within 60 seconds, the display will revert to normal operation and the current temperature of the unit will be shown on the display.

7. Press the **set** key to lock in the new defrost cycle setting.
8. Press and hold the **set** key for three seconds to exit programming mode. The display will revert to show the current temperature of the unit.

Changing Fahrenheit and Celsius Setting

Use the following procedure to change between Fahrenheit and Celsius on the display.

1. Press and hold the **set** key for three seconds to access programming mode. "PS" (password) will appear on the display.
2. Press the **set** key again. A numeric value will appear on the display.
3. Press the \uparrow or \downarrow key until the number "22" appears on the display, then press the **set** key.
4. Use the \uparrow or \downarrow key to scroll through the programmable parameters until \downarrow appears on the display.
5. Press the **set** key to select \downarrow .
6. Press the \uparrow or \downarrow key within 60 seconds to scroll to the desired setting. See below for the correct setting:

"0" = Displays Celsius

"1" = Displays Fahrenheit

If no key is pressed within 60 seconds, the display will revert to normal operation and the current temperature of the unit will be shown on the display.

7. Press the **set** key to lock in the new setting.
8. Press and hold the **set** key for three seconds to exit programming mode. The display will revert to show the current temperature of the unit.

General

Hatco Cold Shelves are designed for maximum durability and performance, with minimum maintenance.



ELECTRIC SHOCK HAZARD:

- Turn OFF power switch and disconnect unit from power source before performing any cleaning, adjustments, or maintenance.
- DO NOT submerge or saturate with water. Unit is not waterproof. Do not operate if unit has been submerged or saturated with water.
- This unit is not “jet-proof” construction. Do not use jet-clean spray to clean this unit.
- Do not steam clean or use excessive water on unit.



ELECTRIC SHOCK HAZARD: This unit must be serviced by qualified personnel only. Service by unqualified personnel may lead to electric shock or burn.

FIRE HAZARD: Do not use flammable cleaning solutions to clean this unit.

This unit has no “user-serviceable” parts. If service is required on this unit, contact an Authorized Hatco Service Agent or contact the Hatco Service Department at 414-671-6350.

NOTICE

Clean unit daily to avoid malfunctions and maintain sanitary operation.

Do not use steel wool for cleaning. Steel wool will scratch the finish.

Use non-abrasive cleaners and cloths only. Abrasive cleaners and cloths could scratch the finish of the unit, marring its appearance and making it susceptible to soil accumulation.

Do not use harsh chemicals such as bleach, cleaners containing bleach, or oven cleaners to clean this unit.

Daily Cleaning

To preserve the finish and maintain operation of the unit, perform the following cleaning procedure daily.

1. Before turning on a CSSB or CSSBF model each day, clean and sanitize the stone shelf using a clean, damp cloth and a sanitizer approved for food contact surfaces. If additional cleaning is necessary, refer to the “Cleaning the Stone Surface” information in this section.
2. At the end of each day:
 - a. Move the Power I/O (on/off) Switch to the O (off) position and allow the unit to defrost.
 - b. Remove and wash all food pans, if present.
 - c. Clean the shelf using a clean cloth or sponge and mild detergent. Use a plastic scouring pad to remove any hardened food particles or mineral deposits.
 - d. Rinse the shelf thoroughly with hot water to remove all detergent residue.
 - e. Wipe down shelf with a clean, sanitized cloth to remove the detergent residue. Repeat until all detergent residue is gone and the shelf is clean.
 - f. Wipe dry the entire unit using a non-abrasive, dry cloth.
 - g. Wipe down the outside of the louvered or grill-style panels installed in the cabinet ventilation openings.

Cleaning the Stone Surface (CSSB and CSSBF Models)

Proper use of the products listed below will not damage the stone shelf (follow the directions on the product labels).

NOTE: Stone surfaces are a simulated stone solid surface.



After deep cleaning stone surface using abrasives, make sure to clean and sanitize surface properly before placing food product.

IMPORTANT NOTE

Bottom-mounted units are installed with a bead of silicone sealant between the unit and the countertop. Use caution when cleaning with the abrasive pad and avoid contact with the silicone sealant.

Hard to Remove Stains

For hard-to-remove stains, use the supplied abrasive pad along with an abrasive cleaner such as Ajax, Comet, Bon Ami, Magic Scrub, or Bar Keeper's Friend. Additional abrasive pads are available from Hatco (P/N 04.39.049.00). **NOTICE: Use supplied abrasive pad on stone surface only.**

NOTE: Do not use steel wool or metal scouring pads.

Mineral Based Stains

For a mineral-based stain, cleaners designed to remove iron or rust are recommended and should not harm the stone surface.

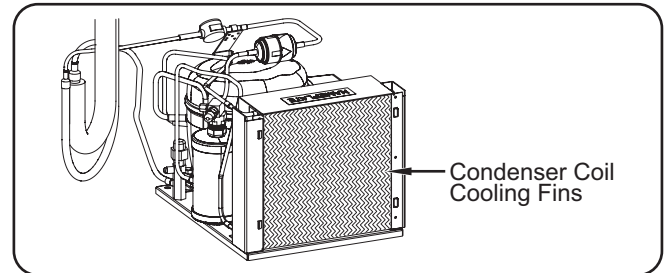
Scratches

For scratches, use sandpaper starting with the coarsest grit and going to finest grit until the scratch disappears. Blend area in with the supplied abrasive pad.

Monthly Cleaning

Perform the following procedure monthly to maintain proper and efficient operation as well as prevent malfunction of the condensing unit.

1. Remove and clean both sides of the louvered or grill-style panels that are installed in the ventilation openings. Dirt and dust build-up in the panels can restrict air flow to the condensing unit and cause over-heating.
2. Clean the condenser coil cooling fins. Dirt, dust, and lint build-up in the cooling fins will prevent proper cooling of the refrigerant in the refrigeration system. This build-up will cause inefficient operation and can lead to unit failure. Use the following methods to clean the condenser coil cooling fins:
 - Vacuum the cooling fins.
 - Brush the cooling fins vertically using a condenser coil brush. **NOTICE: Use caution when brushing the cooling fins, they are delicate and can be bent easily. DO NOT use a wire brush.**



Condenser Coil Cooling Fins

NOTE: Depending on the conditions of the installation site, this cleaning procedure may need to be performed more often or less often than monthly. Monitor the level of dirt, dust, and lint buildup on the panels and cooling fins, and make adjustments to the frequency of cleanings as necessary.





WARNING

This unit must be serviced by qualified personnel only. Service by unqualified personnel may lead to electric shock or burn.



WARNING

ELECTRIC SHOCK HAZARD: Turn OFF power switch and disconnect unit from power source before performing any cleaning, adjustments, or maintenance.

Symptom	Probable Cause	Corrective Action
Shelf too cold.	Setpoint temperature too low.	Adjust the setpoint temperature to a higher setting. Refer to the "Changing the Setpoint Temperature" procedure in the OPERATION section.
	Digital temperature controller not working properly.	Contact Authorized Service Agent or Hatco for assistance.
Shelf not cold enough.	Food product not pre-chilled before loading in unit.	Load unit with pre-chilled food product only.
	Unit not filled with food pans/one or more open pan positions.	Fill the refrigerated shelf with food pans. The shelf will chill to the setpoint temperature more quickly and hold more efficiently when filled with pans.
	Setpoint temperature set too high.	Adjust the setpoint temperature to a lower setting. Refer to the "Changing the Setpoint Temperature" procedure in the OPERATION section.
	Condenser coil and/or ventilation panels are plugged with dirt/dust.	Clean the condenser coil and ventilation panels. Refer to the "Monthly Cleaning" procedure in the MAINTENANCE section.
	Too much frost built up top of unit.	Turn off, defrost, and clean the unit. Activate an auto-defrost cycle, if necessary (refer to the procedure in the OPERATION section).
	Digital temperature controller not working properly.	Contact Authorized Service Agent or Hatco for assistance.
	Refrigerant low/leaking or other internal condensing unit malfunction.	
Unit makes excessive noise and vibration when turned on.	Internal components have not been adequately warmed before operation.	Turn off unit immediately. Unit should be stored in a warm environment of 65°F (18°C) for at least 10 hours.
Controller display flashes "OFF" and unit is not working.	The unit is in Standby mode.	Press and hold the  key for three seconds. The unit will return to normal operation.
Controller display flashes "df" and unit is not working.	The unit is in Defrost mode.	Press and hold the  key for three seconds. The unit will return to normal operation.
Unit plugged in, but not working.	Unit turned off.	Turn on unit.
	Circuit breaker tripped.	Reset circuit breaker. If circuit breaker continues to trip, contact Authorized Service Agent or Hatco for assistance.
	Digital temperature controller not working properly.	Contact Authorized Service Agent or Hatco for assistance.
	Condensing unit overheated.	
	Internal condensing unit malfunction.	

Troubleshooting Questions?

If you continue to have problems resolving an issue, please contact the nearest Authorized Hatco Service Agency or Hatco for assistance. To locate the nearest Service Agency, log onto the Hatco website at www.hatcocorp.com, select the *Support* pull-down menu, and click on "Find A Service Agent"; or contact the **Hatco Parts and Service Team** at:

Telephone: 414-671-6350

e-mail: support@hatcocorp.com

OPTIONS AND ACCESSORIES

Four Year Extended Parts Warranty

A four year extended parts warranty on the compressor is available at time of purchase. This warranty begins after the standard one year warranty expires.

7-1/2' (2286 mm) Control Cables

7-1/2' (2286 mm) control cables allow the remote control box to be installed within 7-1/2' (2286 mm) of the condensing unit.

WARRANTY, EXCLUSIVE REMEDY:

Hatco Corporation (Seller) warrants that the products it manufactures (Products) will be free from defects in materials and workmanship under normal use and service and when stored, maintained, and installed in strict accordance with factory recommendations. Seller's sole obligation to the person or entity buying the Products directly from Seller (Customer) under this warranty is the repair or replacement by Seller or a Seller-authorized service agency, at Seller's option, of any Product or any part thereof deemed defective upon Seller's examination, for a period of: (i) the Warranty Duration from the date of shipment by Seller or (ii) the Warranty Duration from the date of Product registration in accordance with Seller's written instructions, whichever is later. The "Warranty Duration" shall mean the specific periods set forth below for specific Product components, or, to the extent not listed below, eighteen (18) months. Credit for Products or parts returned with the prior written permission of Seller will be subject to the terms shown on Seller's material return authorization form. **PRODUCTS OR PARTS RETURNED WITHOUT PRIOR WRITTEN PERMISSION OF SELLER WILL NOT BE ACCEPTED FOR CREDIT.** Expenses incurred by Customer in returning, replacing, or removing the Products will not be reimbursed by Seller. If the defect comes under the terms of the limited warranty, the Products will be repaired or replaced and returned to the Customer and the cost of return freight will be paid by Seller. The remedy of repair or replacement provided for herein is Customer's exclusive remedy. Any improper use, alteration, repairs, tampering, misapplication, improper installation, application of improper voltage, or any other action or inaction by Customer or others (including the use of any unauthorized service agency) that in Seller's sole judgment adversely affects the Product shall void this warranty. The warranty expressly provided herein may only be asserted by Customer and may not be asserted by Customer's customers or other users of the Products; provided, however, that if Customer is an authorized equipment dealer of Seller, Customer may assign the warranty herein to Customer's customers, subject to all of the limitations of these Terms, and in such case, the warranty shall be exclusively controlled by Seller in accordance with these Terms. **THIS LIMITED WARRANTY IS EXCLUSIVE AND IS IN LIEU OF ANY OTHER WARRANTY, EXPRESSED OR IMPLIED, INCLUDING BUT NOT LIMITED TO ANY IMPLIED WARRANTY OF NONINFRINGEMENT, MERCHANTABILITY, OR FITNESS FOR A PARTICULAR PURPOSE, WHICH ARE EXPRESSLY DISCLAIMED.**

One (1) Year Parts and Labor PLUS One (1) Additional Year Parts-Only Warranty:

- Conveyor Toaster Elements (metal sheathed)
- Drawer Warmer Elements (metal sheathed)
- Drawer Warmer Drawer Rollers and Slides
- Food Warmer Elements (metal sheathed)
- Display Warmer Elements (metal sheathed air heating)
- Holding Cabinet Elements (metal sheathed air heating)
- Heated Well Elements — HW, HWB, and HWBI Series (metal sheathed)

Two (2) Year Parts and Labor Warranty:

- Induction Ranges
- Induction Warmers

One (1) Year Replacement Warranty:

- TPT Pop-Up Toasters

One (1) Year Parts and Labor PLUS Four (4) Years Parts-Only Warranty:

- 3CS and FR Tanks

One (1) Year Parts and Labor PLUS Nine (9) Years Parts-Only Warranty:

- Electric Booster Heater Tanks
- Gas Booster Heater Tanks

Ninety (90) Day Parts-Only Warranty:

- Replacement Parts

Notwithstanding anything herein to the contrary, the limited warranty herein will not cover components in Seller's sole discretion such as, but not limited to, the following: coated incandescent light bulbs, fluorescent lights, heat lamp bulbs, coated halogen light bulbs, halogen heat lamp bulbs, xenon light bulbs, LED light tubes, glass components, and fuses; Product failure in booster tank, fin tube heat exchanger, or other water heating equipment caused by liming, sediment buildup, chemical attack, or freezing.

WARRANTY REGISTRATION INSTRUCTIONS:

Product registration must be submitted within 90 days from the date of shipment from our factory to qualify for additional coverage. Registration may be submitted through the form on Seller's website, through the form accessible through the QR code on the Product (where available), or by calling Customer Service with the required information at: **414-671-6350.**

LIMITATION OF LIABILITY:

SELLER WILL NOT BE LIABLE FOR ANY INDIRECT, INCIDENTAL, CONSEQUENTIAL, PUNITIVE, EXEMPLARY, OR SPECIAL DAMAGES, INCLUDING WITHOUT LIMITATION ANY LOST PROFITS, COSTS OF SUBSTITUTE PRODUCTS, OR LABOR COSTS ARISING FROM THE SALE, USE, OR INSTALLATION OF THE PRODUCTS, FROM THE PRODUCTS BEING INCORPORATED INTO OR BECOMING A COMPONENT OF ANOTHER PRODUCT, OR FROM ANY OTHER CAUSE WHATSOEVER, WHETHER BASED ON WARRANTY (EXPRESSED OR IMPLIED) OR OTHERWISE BASED ON CONTRACT, TORT, OR ANY OTHER THEORY OF LIABILITY, AND REGARDLESS OF ANY ADVICE OR REPRESENTATIONS THAT MAY HAVE BEEN RENDERED BY SELLER CONCERNING THE SALE, USE, OR INSTALLATION OF THE PRODUCTS, EVEN IF SELLER IS AWARE OF THE POSSIBILITY OF SUCH DAMAGES. IN NO EVENT WILL SELLER'S AGGREGATE LIABILITY ARISING OUT OF OR RELATED TO THIS AGREEMENT EXCEED THE TOTAL AMOUNTS PAID TO SELLER BY CUSTOMER FOR THE PRODUCTS WITHIN THE THREE (3) MONTH PERIOD IMMEDIATELY PRECEDING THE EVENT GIVING RISE TO CUSTOMER'S CLAIM. THE LIMITATIONS SET FORTH HEREIN REGARDING SELLER'S LIABILITY SHALL BE VALID AND ENFORCEABLE NOTWITHSTANDING A FAILURE OF ESSENTIAL PURPOSE OF THE LIMITED REMEDY SPECIFIED IN THESE TERMS.

Seller reserves the right to update these Terms at any time, at its sole discretion, which become binding upon the date of publishing. For the most current version of our full Terms of Sale, see our website at: <https://www.hatcocorp.com/terms-of-sale>

Informations Importantes pour le Propriétaire.....	26	Installation d'un appareil qui se fixe sous un comptoir (Modèles CSU).....	42
Introduction.....	26	Installer le panneau de contrôle à distance	44
Consignes de Sécurité Importantes.....	27	Dimensions des boulons de montage (Modèles CSU)	45
Désignation du Modèle.....	28	Mode d'emploi	46
Description du Modèle.....	29	Généralités	46
Caractéristiques Techniques	30	Modifier la température nominale.....	46
Configuration des Fiches.....	30	Programmer le cycle de dégivrage automatique.....	47
Information sur le fluide frigorigène.....	30	Alternance entre l'affichage Fahrenheit et Celsius.....	47
Tableau des valeurs nominales électriques	30	Maintenance	48
Dimensions.....	34	Généralités	48
Installation	37	Nettoyage quotidien.....	48
Généralités	37	Nettoyer la surface en pierre (Modèles CSSB et CSSBF)	49
Préparer le lieu d'installation	38	Nettoyage mensuel.....	49
Installation d'un appareil avec support supérieur (Modèles CSBF).....	38	Options et Accessoires	49
Dimensions de découpe du comptoir (Modèles CSBF)....	39	Guide de Dépannage	50
Dimensions de la découpe du comptoir et des vis de montage (Modèles CSSB et CSSBF)	40	Garantie Limitée	51
Installation d'une unité avec support inférieur (Modèles CSSB et CSSBF)	41	Autorisés Distributeurs de Pièces	Couverture Arrière

INFORMATIONS IMPORTANTES POUR LE PROPRIÉTAIRE

Noter le numéro de modèle, le numéro de série, le voltage et la date d'achat de votre appareil ci-dessous (étiquette des caractéristiques située sur le côté du boîtier de commande). Veuillez avoir cette information à portée de la main si vous appelez Hatco pour assistance.

Modèle No. _____

Numéro de série _____

Voltage _____

Date d'achat _____

Enregistrez votre appareil!

Remplissez la garantie en ligne pour éviter les retards pour faire jouer la garantie. Accédez au site Web Hatco : www.hatcocorp.com, sélectionnez le menu déroulant : *Support (Assistance)*, puis cliquez sur « Warranty » (Garantie).

Horaires

ouvrables : 7h00 à 17h00 du lundi au vendredi
Heure du Centre (CT)
(Horaires d'été : juin à septembre—
7h00 à 17h00 du lundi au jeudi
7h00 à 16h00 le vendredi)

Téléphone: +1-414-671-6350

Courriel: support@hatcocorp.com



Service d'assistance et de pièces de rechange disponible 7j/7, 24h/24 aux États-Unis et au Canada en composant le +1-414-671-6350.

Des renseignements supplémentaires sont disponibles sur notre site Web à www.hatcocorp.com.

INTRODUCTION

Les plaques réfrigérantes d'Hatco sont spécialement conçues pour conserver des aliments frais à des températures sans danger pour le service. Les appareils isolés, à montage sur la face supérieure ou inférieure du comptoir, sont disponibles en plusieurs tailles.

Les plaques réfrigérantes Hatco ont fait l'objet d'un long processus de recherche avancée et d'essais pratiques. Les matériaux utilisés ont été sélectionnés pour une durabilité maximale, une apparence attractive et des performances optimales. Chaque appareil est soigneusement inspecté et testé avant expédition.

Ce manuel fournit les instructions d'installation, de sécurité et d'utilisation des plaques réfrigérantes. Hatco vous recommande de lire l'ensemble des instructions d'installation, de sécurité et de fonctionnement contenues dans ce manuel avant d'installer et d'utiliser l'appareil.

Les consignes de sécurité qui apparaissent dans ce manuel sont identifiées par les mots indicateurs suivants :

AVERTISSEMENT

AVERTISSEMENT indique une situation dangereuse qui, si elle n'est pas évitée, peut provoquer la mort ou des blessures graves.

ATTENTION

ATTENTION indique une situation dangereuse qui, si elle n'est pas évitée, peut provoquer des blessures légères ou moyennes.

AVIS

AVIS est utilisé pour des questions sans rapport avec des blessures corporelles.



Lisez les consignes de sécurité importantes suivantes avant d'utiliser cet équipement pour éviter toute blessure grave ou la mort et pour éviter d'endommager l'équipement ou la propriété.

AVERTISSEMENT**DANGER DE DÉCHARGE ÉLECTRIQUE :**

- Brancher l'appareil sur une prise de courant avec terre de tension, de format et de configuration des broches corrects. Si la fiche et la prise ne se correspondent pas, s'adresser à un électricien qualifié pour déterminer et installer une prise de courant de format et de tension corrects.
- Mettez l'unité hors tension depuis l'interrupteur et débranchez le cordon d'alimentation avant d'effectuer tout nettoyage, tout réglage ou tout entretien.
- L'unité n'est pas étanche. Il doit être installé en intérieur.
- Le boîtier de commande doit être installé sur une surface verticale : l'installation sur une surface horizontale entraîne un risque d'accumulation de liquide et d'électrocution.
- NE PAS immerger l'appareil ni le saturer d'eau. L'appareil n'est pas étanche à l'eau. Ne pas le faire fonctionner s'il a été immergé ou saturé d'eau.
- Cet appareil n'est pas étanche aux jets. Ne pas utiliser de jet sous pression pour nettoyer l'appareil.
- Ne nettoyez pas l'appareil à la vapeur et n'utilisez pas de l'eau en quantité excessive.
- Ne pas utiliser l'appareil si le cordon est endommagé ou usé.
- Ne pas tenter de réparer ni de changer un cordon électrique endommagé. Ce cordon doit être changé par Hatco, par un réparateur Hatco agréé ou par une personne de qualifications comparables.
- La réparation de cet appareil doit être confiée exclusivement à du personnel qualifié. Les réparations par des personnes non qualifiées peuvent provoquer des décharges électriques et des brûlures.
- Pour les réparations, utiliser exclusivement des pièces de rechange Hatco d'origine. Utilisez des pièces détachées Hatco authentiques sous peine d'annuler toutes les garanties et d'exposer l'utilisateur à des tensions électriques dangereuses pouvant entraîner une électrocution ou des brûlures. Les pièces de rechange Hatco d'origine sont conçues pour fonctionner sans danger dans les environnements dans lesquels elles sont utilisées. Certaines pièces de rechange génériques ou de second marché ne présentent pas les caractéristiques leur permettant de fonctionner sans danger dans la matériel Hatco.

DANGER D'INCENDIE :

- Lors de l'installation, un espace minimum de 51 mm (2") doit être maintenu entre les parois du groupe compresseur-condenseur et toute surface combustible.
- N'utilisez pas des solutions nettoyantes inflammables pour nettoyer cet appareil.

RISQUE D'EXPLOSION: Ne conservez pas ou n'utilisez pas d'essence ou d'autres vapeurs ou liquides inflammables à proximité de cet appareil ou de tout autre appareil.

AVERTISSEMENT

Cet appareil permet de conserver des aliments pendant des courts délais. Ne conservez jamais d'aliments pendant plus de 4 heures.

Hatco Corporation n'est pas responsable de la température réelle à laquelle les aliments sont servis. Il est de la responsabilité de l'utilisateur de s'assurer que la nourriture est conservée et servie à une température sans danger.

L'appareil doit être maintenu dans un état de propreté correct. Des bonnes conditions de propreté et d'hygiène sont essentielles à une manipulation saine des aliments. Reportez-vous à la section MAINTENANCE pour consulter les procédures de nettoyage.

Ne placez pas de produit alimentaire directement sur une surface à revêtement dur ou une surface vitrée. Les produits alimentaires doivent être emballés, placés dans une boîte ou dans un bac alimentaire.

Cet appareil ne doit pas être utilisé par des enfants ou des personnes avec des capacités physiques, sensorielles ou mentales diminuées. Assurez-vous que les enfants sont bien surveillés et tenez-les à l'écart de l'appareil.

Assurez-vous que tous les opérateurs ont été formés à l'utilisation sûre et correcte de l'appareil.

Cet appareil ne contient aucune pièce réparable par l'utilisateur. Si cet appareil doit être réparé, contacter un réparateur Hatco agréé ou le Service après-vente Hatco au +1-414-671-6350.

ATTENTION

Placez l'appareil à une hauteur de comptoir adaptée et sur un emplacement pratique pour son utilisation. L'emplacement choisi doit être de niveau et solide afin de supporter le poids de l'appareil et de son contenu.

L'appareil/la surface d'installation NE DOIT PAS être penché une fois l'installation terminée : l'appareil n'est pas fixé et pourrait tomber. Il est uniquement destiné à une installation horizontale permanente.

Nettoyez et désinfectez correctement la surface en pierre après l'avoir dégrassée en profondeur à l'aide d'un abrasif et avant de placer des aliments sur l'appareil.

AVIS

L'appareil est conçu pour être utilisé dans des environnements où la température ambiante se situe entre 18°C (65°F) et 30°C (86°F).

Si vous recevez l'appareil en période de basses températures, vous devez le stocker pendant au moins 10 heures dans un environnement dont la température ambiante est comprise entre 18°C (65°F) et 30°C (86°F) avant la première utilisation, afin de ne pas endommager le compresseur et/ou le circuit frigorigène. Si l'appareil en service présente une vibration et un bruit excessifs, mettez-le immédiatement hors tension et laissez-le préchauffer un peu plus longtemps.

AVIS

Prévoyez des ouvertures à grille ou à persiennes de 31 x 31 cm soit 961 cm² (12" x 12"/144 pouces carrés) dans le meuble devant et derrière le groupe compresseur-condenseur pour une bonne ventilation. Une mauvaise circulation de l'air dans le groupe compresseur-condenseur pourrait entraîner une panne de l'appareil et aurait pour effet d'annuler la garantie.

Lorsque plusieurs cuves réfrigérées sont installées simultanément, évitez que l'air sortant ne recircule dans le meuble. L'arrivée d'air doit être située à l'extérieur du meuble.

Maintenez l'appareil dans la position verticale lors du transport et de l'installation. Le non-respect de cette mesure pourrait endommager le système de réfrigération.

Lors de l'installation, manipulez l'appareil avec précaution et évitez au maximum de heurter les tuyaux et les conduites. La garantie ne couvre pas les éléments endommagés pendant l'installation.

N'installez pas l'appareil dans un endroit présentant des déplacements d'air excessifs. Évitez les zones pouvant être soumises à des déplacements d'air ou à des courants d'air actifs (proximité de ventilateurs d'extraction/de hottes d'aspiration, de conduites de climatisation et de portes extérieures).

Ne pas utiliser l'appareil à un endroit exposé à des températures excessives ou de la graisse de grils, friteuses, etc. Les températures excessives risquent d'abîmer l'appareil.

AVIS

Tout dommage causé à un élément du comptoir par la chaleur ou le froid généré par l'équipement Hatco n'est pas couvert par la garantie de Hatco. Contactez le fabricant du comptoir pour plus de renseignements.

Utilisez uniquement des nettoyeurs non abrasifs et des chiffons doux. Les chiffons et nettoyeur abrasifs pourraient rayer la finition de l'unité, altérant son apparence et la rendant vulnérable à l'accumulation de saleté.

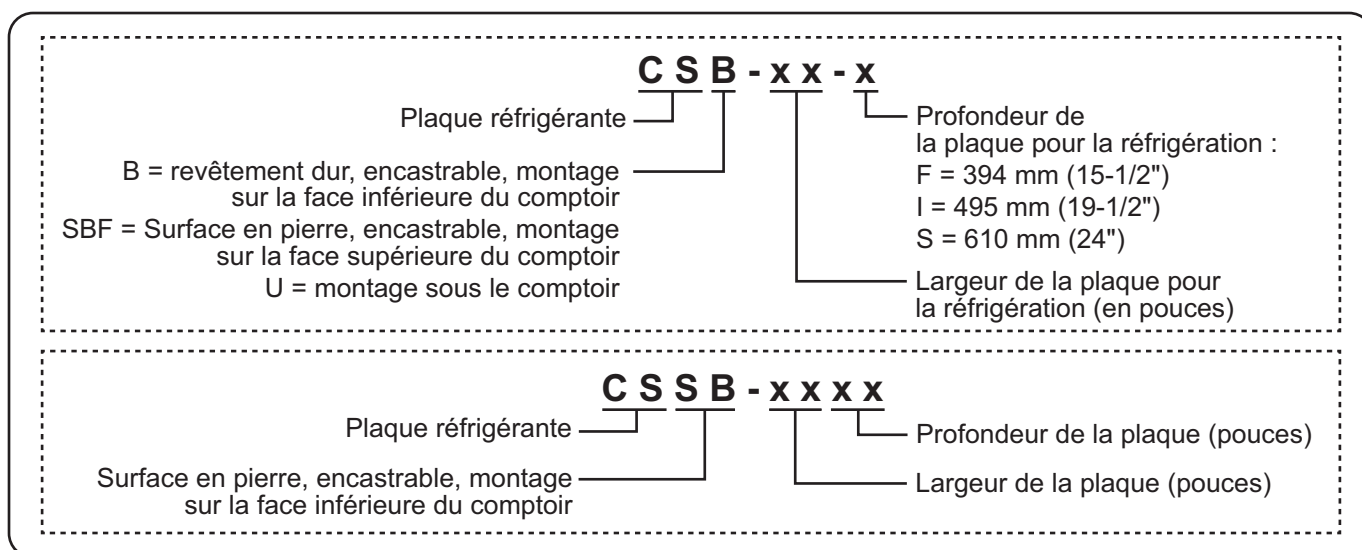
N'utilisez pas de paille de fer pour le nettoyage. La paille de fer raye les finitions.

L'utilisation de produits chimiques agressifs tels que l'eau de javel, les produits nettoyeurs contenant de la javel, ou les produits de nettoyage pour les fours sont proscrits pour nettoyer l'appareil.

Nettoyez l'unité quotidiennement pour éviter les dysfonctionnements et assurer un fonctionnement sain.

Cette unité est réservée à un usage professionnel uniquement — elle n'est PAS dédiée à un usage personnel.

DÉSIGNATION DU MODÈLE



Tous les Modèles

Fiables et polyvalentes, les plaques réfrigérantes Hatco sont dotées d'une structure isolée en acier aluminisé et en acier inoxydable. Un serpentin d'évaporateur en cuivre court sous l'ensemble de la surface en aluminium à revêtement dur ou en pierre et assure une répartition uniforme du froid d'un bord à l'autre. Un groupe compresseur-condenseur est raccordé au serpentin d'évaporateur via un flexible. Les plaques réfrigérantes Hatco sont conçues, fabriquées et testées pour maintenir les aliments à une température adéquate.

Un boîtier de commande installable à distance permet de contrôler les plaques réfrigérantes. Il inclut notamment un interrupteur marche/arrêt et un régulateur de température numérique. Le boîtier de commande est connecté à l'unité de condensation par un câble de commande de 1 219 mm (4') ou de 2 286 mm (7-1/2') en option. Un cordon et une fiche d'alimentation de 1829 mm (6') raccordés au panneau de contrôle permettent d'alimenter tout l'appareil.

Les plaques réfrigérantes, selon le modèle, sont conçues pour être installées sur la face supérieure, sur la face inférieure ou bien sous divers types de comptoirs en différents matériaux, y compris en acier inoxydable, en bois, en Corian et en Swanstone.

Le logo **ecoization** désigne les produits conçus pour refléter l'engagement d'Hatco à améliorer, protéger et préserver l'environnement. Les plaques réfrigérantes Hatco remplissent les conditions pour l'obtention du logo ECOization, grâce à leur isolation respectueuse de l'environnement, ainsi qu'à leur groupe compresseur-condenseur très efficace.

Modèles CSBF

Les modèles CSBF sont dotés d'une surface en aluminium à revêtement dur et se montent sur la face supérieure du comptoir.

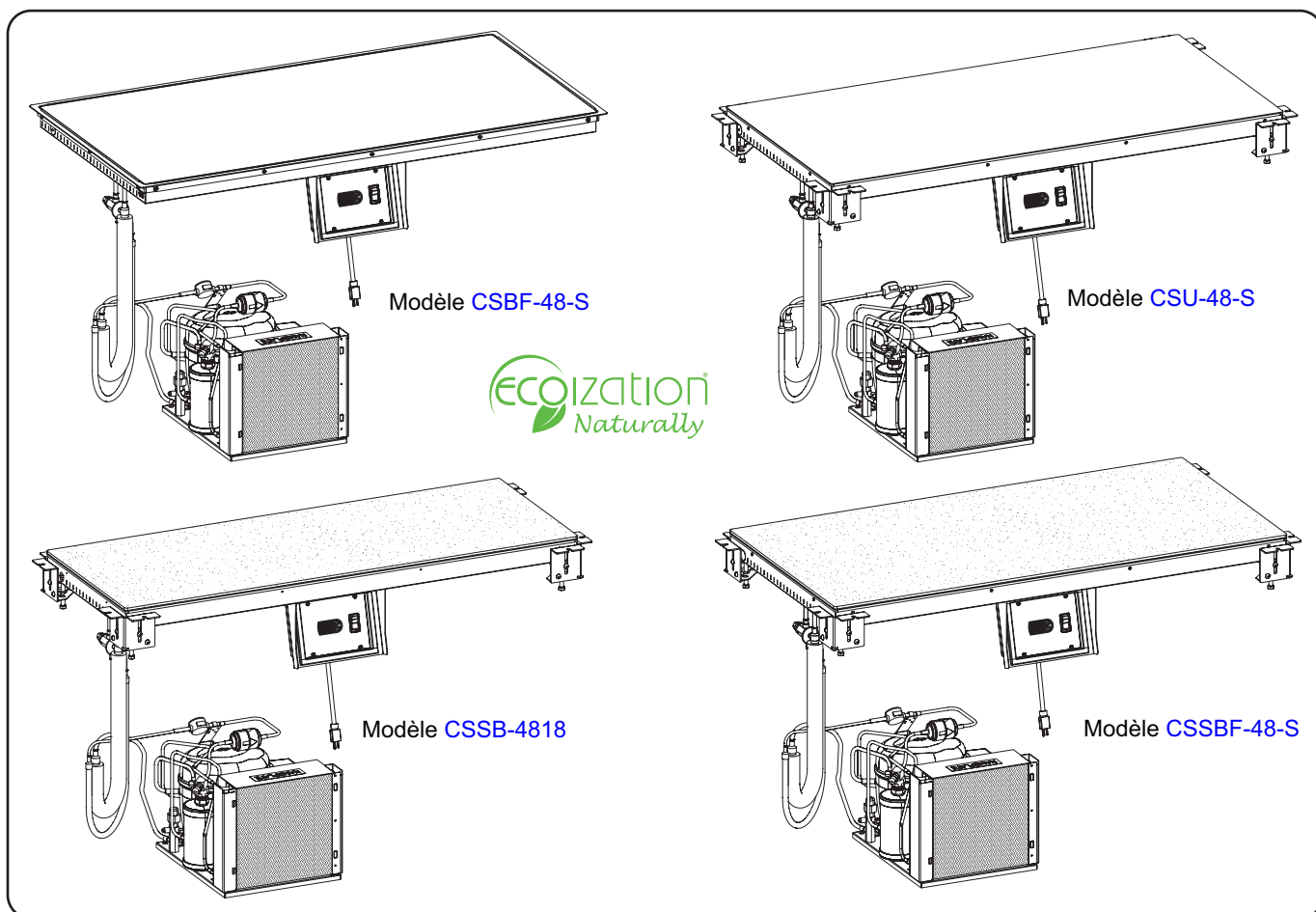
Modèles CSSB et CSSBF

Les modèles CSSB et CSSBF sont dotés d'une surface en pierre décorative et se montent sur la face inférieure du comptoir.

NOTA : Les surfaces en pierre sont en pierre artificielle.

Modèles CSU

Les modèles CSU sont dotés d'une surface en aluminium et sont montés directement sous un comptoir de granit ou quartz (aucune découpe n'est requise). La chaleur est transférée à travers le comptoir vers la face supérieure, offrant ainsi une installation véritablement invisible.



Plaques réfrigérantes

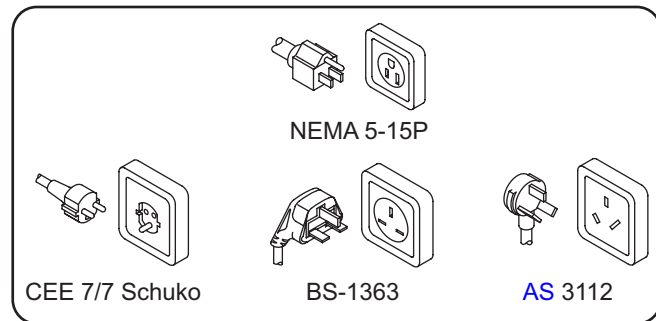
Configuration des fiches

Les appareils sont livrés avec un cordon électrique avec fiche. Différentes fiches sont fournies selon les applications.

AVERTISSEMENT

DANGER DE DÉCHARGE ÉLECTRIQUE : Brancher l'appareil sur une prise de courant avec terre de tension, de format et de configuration des broches corrects. Si la fiche et la prise ne se correspondent pas, s'adresser à un électricien qualifié pour déterminer et installer une prise de courant de format et de tension corrects.

NOTA: Les étiquettes comportant les caractéristiques techniques se situent sous l'appareil et derrière le panneau de contrôle. Consultez l'étiquette pour connaître le numéro de série et vérifier les caractéristiques électriques de l'appareil.



Configuration des fiches

NOTA: Prise non fournie par Hatco.

Information sur le fluide frigorigène

Les cuves réfrigérées libre service Hatco, le groupe compresseur-condenseur fonctionne avec le fluide frigorigène R-513A.

Spécificités de fonctionnement

Pression de décharge	Pression d'aspiration	Surchauffe	Sous-refroidissement
115 to 125 psig (7.9 to 8.6 bar)	0.4 to 0.6 bar (6 to 9 psig)	2.2° to 5.6°C (4° to 10°F)	2.8° to 5.6°C (5° to 10°F)

NOTA: Les spécifications de fonctionnement sont précises pour les appareils dans une température d'air ambiant de 24°C (75°F).

Conception pression

Côté haut	Côté bas
16.1 bar (233 psig)	8.4 bar (122 psig)

Tableau des valeurs nominales électriques — Modèles CSSB

Modèle	Taille du compresseur	Tension	Hertz	Puissance	Intensité	Configuration de Fiches	Poids d'embarquement
CSSB-2418	1/5 hp	120 V	60 Hz	300 W	3.8 A	NEMA 5-15P	48 kg (105 lbs.)
	1/3 hp	220/230/240 V	50 Hz	1089/1190/1296 W	5.0/5.2/5.4 A	CEE 7/7 Schuko, BS-1363, AS 3112	
			60 Hz	1129/1234/1344 W	5.1/5.4/5.6 A		
CSSB-3018	1/5 hp	120 V	60 Hz	300 W	3.8 A	NEMA 5-15P	59 kg (131 lbs.)
	1/3 hp	220/230/240 V	50 Hz	1089/1190/1296 W	5.0/5.2/5.4 A	CEE 7/7 Schuko, BS-1363, AS 3112	
			60 Hz	1129/1234/1344 W	5.1/5.4/5.6 A		
CSSB-3618	1/5 hp	120 V	60 Hz	300 W	3.8 A	NEMA 5-15P	68 kg (149 lbs.)
	1/3 hp	220/230/240 V	50 Hz	1089/1190/1296 W	5.0/5.2/5.4 A	CEE 7/7 Schuko, BS-1363, AS 3112	
			60 Hz	1129/1234/1344 W	5.1/5.4/5.6 A		
CSSB-4818	1/3 hp	120 V	60 Hz	450 W	5.9 A	NEMA 5-15P	78 kg (171 lbs.)
	3/8 hp	220/230/240 V	50 Hz	826/904/984 W	3.8/3.9/4.1 A	CEE 7/7 Schuko, BS-1363, AS 3112	
	1/3 hp		60 Hz	1129/1234/1344 W	5.1/5.4/5.6 A		

NOTA: Le poids d'embarquement comprend l'emballage. Les poids d'expédition sont estimés.

Les informations électriques grisées dans le tableau désignent les modèles destinés à l'exportation uniquement.

Tableau des valeurs nominales électriques — Modèles CSBF

Modèle	Taille du compresseur	Tension	Hertz	Puissance	Intensité	Configuration de Fiches	Poids d'embarquement
CSBF-24-F	1/5 hp	120 V	60 Hz	300 W	3.8 A	NEMA 5-15P	44 kg (96 lbs.)
	1/3 hp	220/230/240 V	50 Hz	1089/1190/1296 W	5.0/5.2/5.4 A	CEE 7/7 Schuko, BS-1363, AS 3112	
			60 Hz	1129/1234/1344 W	5.1/5.4/5.6 A		
CSBF-24-I	1/5 hp	120 V	60 Hz	300 W	3.8 A	NEMA 5-15P	49 kg (109 lbs.)
	1/3 hp	220/230/240 V	50 Hz	1089/1190/1296 W	5.0/5.2/5.4 A	CEE 7/7 Schuko, BS-1363, AS 3112	
			60 Hz	1129/1234/1344 W	5.1/5.4/5.6 A		
CSBF-24-S	1/5 hp	120 V	60 Hz	300 W	3.8 A	NEMA 5-15P	56 kg (124 lbs.)
	1/3 hp	220/230/240 V	50 Hz	1089/1190/1296 W	5.0/5.2/5.4 A	CEE 7/7 Schuko, BS-1363, AS 3112	
			60 Hz	1129/1234/1344 W	5.1/5.4/5.6 A		
CSBF-36-F	1/5 hp	120 V	60 Hz	300 W	3.8 A	NEMA 5-15P	55 kg (121 lbs.)
	1/3 hp	220/230/240 V	50 Hz	1089/1190/1296 W	5.0/5.2/5.4 A	CEE 7/7 Schuko, BS-1363, AS 3112	
			60 Hz	1129/1234/1344 W	5.1/5.4/5.6 A		
CSBF-36-I	1/3 hp	120 V	60 Hz	450 W	5.9 A	NEMA 5-15P	62 kg (137 lbs.)
	3/8 hp	220/230/240 V	50 Hz	826/904/984 W	3.8/3.9/4.1 A	CEE 7/7 Schuko, BS-1363, AS 3112	
	1/3 hp		60 Hz	1129/1234/1344 W	5.1/5.4/5.6 A		
CSBF-36-S	1/3 hp	120 V	60 Hz	450 W	5.9 A	NEMA 5-15P	74 kg (163 lbs.)
	3/8 hp	220/230/240 V	50 Hz	826/904/984 W	3.8/3.9/4.1 A	CEE 7/7 Schuko, BS-1363, AS 3112	
	1/3 hp		60 Hz	1129/1234/1344 W	5.1/5.4/5.6 A		
CSBF-48-F	1/3 hp	120 V	60 Hz	450 W	5.9 A	NEMA 5-15P	65 kg (144 lbs.)
	3/8 hp	220/230/240 V	50 Hz	826/904/984 W	3.8/3.9/4.1 A	CEE 7/7 Schuko, BS-1363, AS 3112	
	1/3 hp		60 Hz	1129/1234/1344 W	5.1/5.4/5.6 A		
CSBF-48-I	1/3 hp	120 V	60 Hz	450 W	5.9 A	NEMA 5-15P	78 kg (173 lbs.)
	3/8 hp	220/230/240 V	50 Hz	826/904/984 W	3.8/3.9/4.1 A	CEE 7/7 Schuko, BS-1363, AS 3112	
	1/3 hp		60 Hz	1129/1234/1344 W	5.1/5.4/5.6 A		
CSBF-48-S	5/8 hp	120 V	60 Hz	800 W	8.7 A	NEMA 5-15P	80 kg (176 lbs.)
	1/2 hp	220/230/240 V	50 Hz	826/904/984 W	3.8/3.9/4.1 A	CEE 7/7 Schuko, BS-1363, AS 3112	
	5/8 hp		60 Hz	1956/2138/2328 W	8.9/9.3/9.7 A		

NOTA: Le poids d'embarquement comprend l'emballage. Les poids d'expédition sont estimés.

Les informations électriques grisées dans le tableau désignent les modèles destinés à l'exportation uniquement.

Tableau des valeurs nominales électriques — Modèles CSSBF

Modèle	Taille du compresseur	Tension	Hertz	Puissance	Intensité	Configuration de Fiches	Poids d'embarquement
CSSBF-24-F	1/5 hp	120 V	60 Hz	300 W	3.8 A	NEMA 5-15P	46 kg (101 lbs.)
	1/3 hp	220/230/240 V	50 Hz	1089/1190/1296 W	5.0/5.2/5.4 A	CEE 7/7 Schuko, BS-1363, AS 3112	
			60 Hz	1129/1234/1344 W	5.1/5.4/5.6 A		
CSSBF-24-I	1/5 hp	120 V	60 Hz	300 W	3.8 A	NEMA 5-15P	52 kg (115 lbs.)
	1/3 hp	220/230/240 V	50 Hz	1089/1190/1296 W	5.0/5.2/5.4 A	CEE 7/7 Schuko, BS-1363, AS 3112	
			60 Hz	1129/1234/1344 W	5.1/5.4/5.6 A		
CSSBF-24-S	1/5 hp	120 V	60 Hz	300 W	3.8 A	NEMA 5-15P	59 kg (131 lbs.)
	1/3 hp	220/230/240 V	50 Hz	1089/1190/1296 W	5.0/5.2/5.4 A	CEE 7/7 Schuko, BS-1363, AS 3112	
			60 Hz	1129/1234/1344 W	5.1/5.4/5.6 A		
CSSBF-36-F	1/5 hp	120 V	60 Hz	300 W	3.8 A	NEMA 5-15P	59 kg (130 lbs.)
	1/3 hp	220/230/240 V	50 Hz	1089/1190/1296 W	5.0/5.2/5.4 A	CEE 7/7 Schuko, BS-1363, AS 3112	
			60 Hz	1129/1234/1344 W	5.1/5.4/5.6 A		
CSSBF-36-I	1/3 hp	120 V	60 Hz	450 W	5.9 A	NEMA 5-15P	66 kg (146 lbs.)
	3/8 hp	220/230/240 V	50 Hz	826/904/984 W	3.8/3.9/4.1 A	CEE 7/7 Schuko, BS-1363, AS 3112	
	1/3 hp		60 Hz	1129/1234/1344 W	5.1/5.4/5.6 A		
CSSBF-36-S	1/3 hp	120 V	60 Hz	450 W	5.9 A	NEMA 5-15P	78 kg (173 lbs.)
	3/8 hp	220/230/240 V	50 Hz	826/904/984 W	3.8/3.9/4.1 A	CEE 7/7 Schuko, BS-1363, AS 3112	
	1/3 hp		60 Hz	1129/1234/1344 W	5.1/5.4/5.6 A		
CSSBF-48-F	1/3 hp	120 V	60 Hz	450 W	5.9 A	NEMA 5-15P	69 kg (153 lbs.)
	3/8 hp	220/230/240 V	50 Hz	826/904/984 W	3.8/3.9/4.1 A	CEE 7/7 Schuko, BS-1363, AS 3112	
	1/3 hp		60 Hz	1129/1234/1344 W	5.1/5.4/5.6 A		
CSSBF-48-I	1/3 hp	120 V	60 Hz	450 W	5.9 A	NEMA 5-15P	85 kg (187 lbs.)
	3/8 hp	220/230/240 V	50 Hz	826/904/984 W	3.8/3.9/4.1 A	CEE 7/7 Schuko, BS-1363, AS 3112	
	1/3 hp		60 Hz	1129/1234/1344 W	5.1/5.4/5.6 A		
CSSBF-48-S	5/8 hp	120 V	60 Hz	800 W	8.7 A	NEMA 5-15P	89 kg (195 lbs.)
	1/2 hp	220/230/240 V	50 Hz	826/904/984 W	3.8/3.9/4.1 A	CEE 7/7 Schuko, BS-1363, AS 3112	
	5/8 hp		60 Hz	1956/2138/2328 W	8.9/9.3/9.7 A		

NOTA: Le poids d'embarquement comprend l'emballage. Les poids d'expédition sont estimés.

Les informations électriques grisées dans le tableau désignent les modèles destinés à l'exportation uniquement.

Tableau des valeurs nominales électriques — Modèles CSU

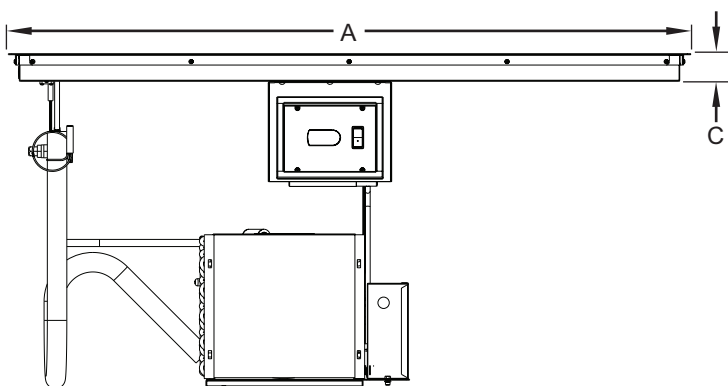
Modèle	Taille du compresseur	Tension	Hertz	Puissance	Intensité	Configuration de Fiches	Poids d'embarquement
CSU-24-F	1/5 hp	120 V	60 Hz	300 W	3.8 A	NEMA 5-15P	46 kg (101 lbs.)
	1/3 hp	220/230/240 V	50 Hz	1089/1190/1296 W	5.0/5.2/5.4 A	CEE 7/7 Schuko, BS-1363, AS 3112	
			60 Hz	1129/1234/1344 W	5.1/5.4/5.6 A		
CSU-24-I	1/5 hp	120 V	60 Hz	300 W	3.8 A	NEMA 5-15P	52 kg (115 lbs.)
	1/3 hp	220/230/240 V	50 Hz	1089/1190/1296 W	5.0/5.2/5.4 A	CEE 7/7 Schuko, BS-1363, AS 3112	
			60 Hz	1129/1234/1344 W	5.1/5.4/5.6 A		
CSU-24-S	1/5 hp	120 V	60 Hz	300 W	3.8 A	NEMA 5-15P	59 kg (131 lbs.)
	1/3 hp	220/230/240 V	50 Hz	1089/1190/1296 W	5.0/5.2/5.4 A	CEE 7/7 Schuko, BS-1363, AS 3112	
			60 Hz	1129/1234/1344 W	5.1/5.4/5.6 A		
CSU-36-F	1/5 hp	120 V	60 Hz	300 W	3.8 A	NEMA 5-15P	59 kg (130 lbs.)
	1/3 hp	220/230/240 V	50 Hz	1089/1190/1296 W	5.0/5.2/5.4 A	CEE 7/7 Schuko, BS-1363, AS 3112	
			60 Hz	1129/1234/1344 W	5.1/5.4/5.6 A		
CSU-36-I	1/3 hp	120 V	60 Hz	450 W	5.9	NEMA 5-15P	66 kg (146 lbs.)
	3/8 hp	220/230/240 V	50 Hz	826/904/984 W	3.8/3.9/4.1 A	CEE 7/7 Schuko, BS-1363, AS 3112	
	1/3 hp		60 Hz	1129/1234/1344 W	5.1/5.4/5.6 A		
CSU-36-S	1/3 hp	120 V	60 Hz	450 W	5.9 A	NEMA 5-15P	78 kg (173 lbs.)
	3/8 hp	220/230/240 V	50 Hz	826/904/984 W	3.8/3.9/4.1 A	CEE 7/7 Schuko, BS-1363, AS 3112	
	1/3 hp		60 Hz	1129/1234/1344 W	5.1/5.4/5.6 A		
CSU-48-F	1/3 hp	120 V	60 Hz	450 W	5.9 A	NEMA 5-15P	69 kg (153 lbs.)
	3/8 hp	220/230/240 V	50 Hz	826/904/984 W	3.8/3.9/4.1 A	CEE 7/7 Schuko, BS-1363, AS 3112	
	1/3 hp		60 Hz	1129/1234/1344 W	5.1/5.4/5.6 A		
CSU-48-I	1/3 hp	120 V	60 Hz	450 W	5.9 A	NEMA 5-15P	85 kg (187 lbs.)
	3/8 hp	220/230/240 V	50 Hz	826/904/984 W	3.8/3.9/4.1 A	CEE 7/7 Schuko, BS-1363, AS 3112	
	1/3 hp		60 Hz	1129/1234/1344 W	5.1/5.4/5.6 A		
CSU-48-S	5/8 hp	120 V	60 Hz	800 W	8.7 A	NEMA 5-15P	89 kg (195 lbs.)
	1/2 hp	220/230/240 V	50 Hz	826/904/984 W	3.8/3.9/4.1 A	CEE 7/7 Schuko, BS-1363, AS 3112	
	5/8 hp		60 Hz	1956/2138/2328 W	8.9/9.3/9.7 A		

NOTA: Le poids d'embarquement comprend l'emballage. Les poids d'expédition sont estimés.

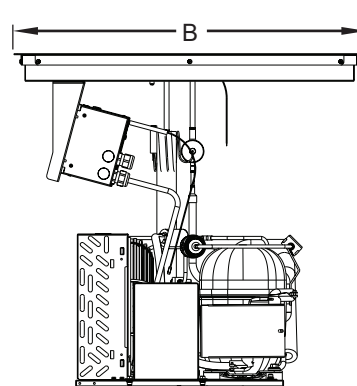
Les informations électriques grisées dans le tableau désignent les modèles destinés à l'exportation uniquement.

Dimensions — Modèles CSBF

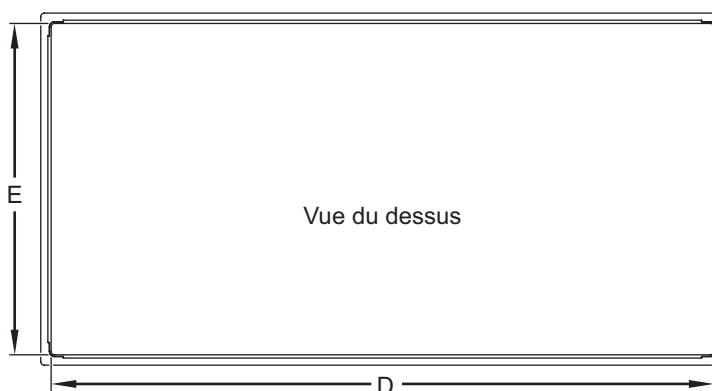
Modèle	Largeur (A)	Profondeur (B)	Hauteur (C)	Surface réfrigérante Largeur de l'intérieur (D)	Surface réfrigérante Profondeur (E)
CSBF-24-F	648 mm (25-1/2")	432 mm (17")	53 mm (2-1/8")	610 mm (24")	394 mm (15-1/2")
CSBF-24-I		533 mm (21")			495 mm (19-1/2")
CSBF-24-S		648 mm (25-1/2")			610 mm (24")
CSBF-36-F	953 mm (37-1/2")	432 mm (17")		914 mm (36")	394 mm (15-1/2")
CSBF-36-I		533 mm (21")			495 mm (19-1/2")
CSBF-36-S		648 mm (25-1/2")			610 mm (24")
CSBF-48-F	1257 mm (49-1/2")	432 mm (17")		1219 mm (48")	394 mm (15-1/2")
CSBF-48-I		533 mm (21")			495 mm (19-1/2")
CSBF-48-S		648 mm (25-1/2")			610 mm (24")



Vue de face



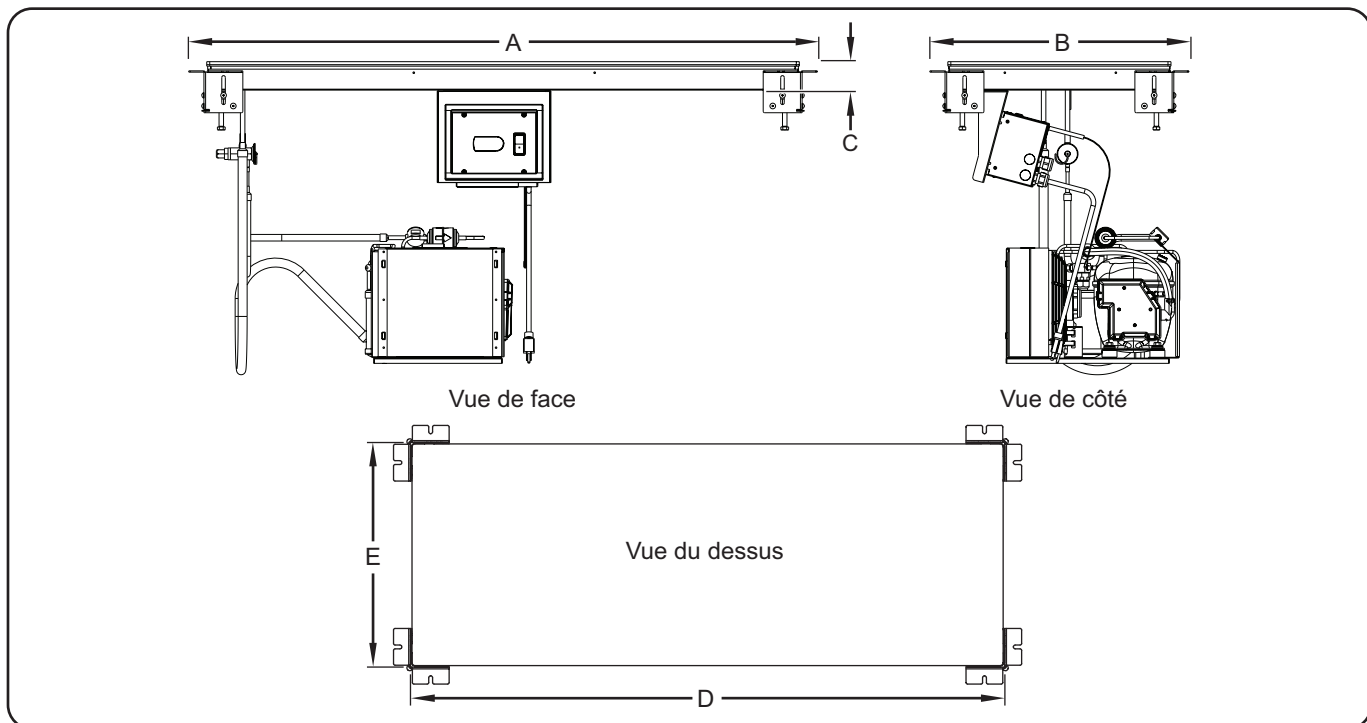
Vue de côté



Vue du dessus

Dimensions — Modèles CSSB et CSSBF

Modèle	Largeur (A)	Profondeur (B)	Hauteur (C)	Largeur surface refroidissante (D)	Profondeur surface refroidissante (E)
CSSB-2418	686 mm (27")	533 mm (21")	60 mm (2-3/8")	610 mm (24")	457 mm (18")
CSSB-3018	838 mm (33")			762 mm (30")	
CSSB-3618	991 mm (39")			914 mm (36")	
CSSB-4818	1295 mm (51")			1219 mm (48")	
CSSBF-24-F	686 mm (27")	470 mm (18-1/2")	60 mm (2-3/8")	610 mm (24")	394 mm (15-1/2")
CSSBF-24-I		572 mm (22-1/2")			495 mm (19-1/2")
CSSBF-24-S		686 mm (27")			610 mm (24")
CSSBF-36-F	991 mm (39")	470 mm (18-1/2")	60 mm (2-3/8")	914 mm (36")	394 mm (15-1/2")
CSSBF-36-I		572 mm (22-1/2")			495 mm (19-1/2")
CSSBF-36-S		686 mm (27")			610 mm (24")
CSSBF-48-F	1295 mm (51")	470 mm (18-1/2")	60 mm (2-3/8")	1219 mm (48")	394 mm (15-1/2")
CSSBF-48-I		572 mm (22-1/2")			495 mm (19-1/2")
CSSBF-48-S		686 mm (27")			610 mm (24")



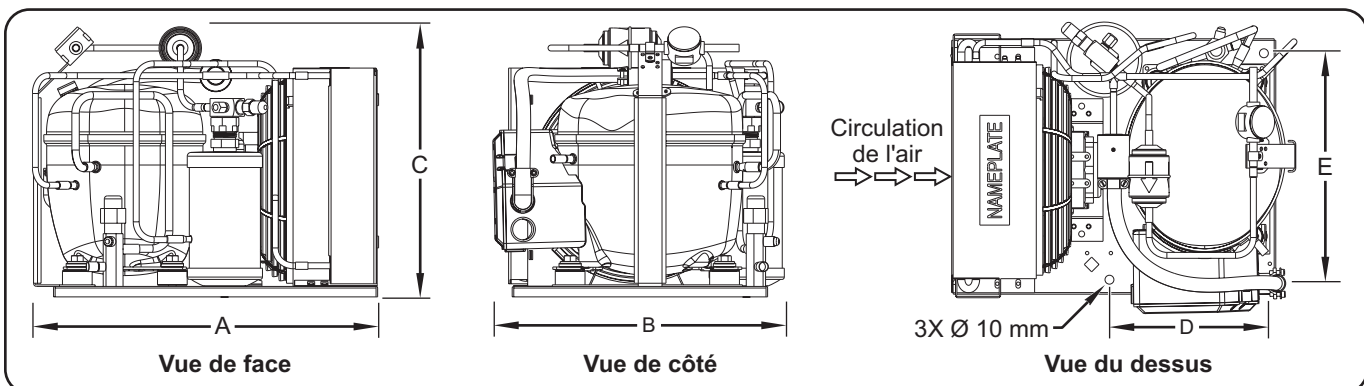
Dimensions — Modèles CSU

NOTA : Pour information, veuillez consulter les schémas avec dimensions des modèles CSSB et CSSBF à la page précédente.

Modèle	Largeur (A)	Profondeur (B)	Hauteur (C)	Surface réfrigérante Largeur de l'intérieur (D)	Surface Réfrigérante Profondeur (E)
CSU-24-F	694 mm (27-5/16")	478 mm (18-13/16")	54 mm (2-1/8")	610 mm (24")	394 mm (15-1/2")
CSU-24-I		579 mm (22-13/16")			495 mm (19-1/2")
CSU-24-S		694 mm (27-5/16")			610 mm (24")
CSU-36-F	998 mm (39-5/16")	478 mm (18-13/16")		914 mm (36")	394 mm (15-1/2")
CSU-36-I		579 mm (22-13/16")			495 mm (19-1/2")
CSU-36-S		27-5/16" (694 mm)			610 mm (24")
CSU-48-F	1303 mm (51-5/16")	478 mm (18-13/16")		1219 mm (48")	394 mm (15-1/2")
CSU-48-I		579 mm (22-13/16")			495 mm (19-1/2")
CSU-48-S		694 mm (27-5/16")			610 mm (24")

Dimensions — Groupe compresseur-condenseur

Modèle	Largeur (A)	Profondeur (B)	Hauteur (C)	Largeur entre les trous de fixation (D)	Profondeur entre les trous de fixation (E)
CSBF, CSB, CSU, CSSBF -24-F, -24-I, -24-S, -36F CSSB-2418, -3018, -3618	371 mm (14-5/8")	312 mm (12-1/4")	289 mm (11-3/8")	165 mm (6-1/2")	242 mm (9-1/2")
CSBF, CSB, CSU, CSSBF -36-I, -36-S, -48-F, -48-I CSSB-4818	369 mm (14-1/2")	312 mm (12-1/4")	289 mm (11-3/8")	165 mm (6-1/2")	242 mm (9-1/2")
120 V, 60 Hz CSBF-48-S, CSB-48-S, CSU-48-S, CSSBF-48-S	444 mm (17-1/2")	415 mm (16-3/8")	306 mm (12-1/8")	235 mm (9-1/4")	286 mm (11-1/4")
220-230-240 V, 60 Hz CSBF-48-S, CSB-48-S, CSU-48-S, CSSBF-48-S	479 mm (18-7/8")	415 mm (16-3/8")	300 mm (11-3/4")	235 mm (9-1/4")	286 mm (11-1/4")
220-230-240 V, 50 Hz CSBF-48-S, CSB-48-S, CSU-48-S, CSSBF-48-S	420 mm (16-1/2")	331 mm (13")	306 mm (12-1/8")	235 mm (9-1/4")	286 mm (11-1/4")



Généralités

Les plaques réfrigérantes sont intégralement assemblées en usine et fournies prêtes à l'emploi. Utilisez les informations et les procédures suivantes pour faire fonctionner l'appareil.

NOTA: Assurez-vous que l'emplacement choisi dispose de l'espace suffisant pour installer le groupe compresseur-condenseur et le boîtier de commande à distance.

AVERTISSEMENT

DANGER DE DÉCHARGE ÉLECTRIQUE :

- Brancher l'appareil sur une prise de courant avec terre de tension, de format et de configuration des broches corrects. Si la fiche et la prise ne se correspondent pas, s'adresser à un électricien qualifié pour déterminer et installer une prise de courant de format et de tension corrects.
- L'unité n'est pas étanche. Il doit être installé en intérieur.
- Le boîtier de commandes à distance doit être installé en position verticale sur un mur vertical. L'installation sur une surface horizontale entraîne un risque d'accumulation de liquide et d'électrocution.

DANGER D'INCENDIE: Lors de l'installation, un espace minimum de 51 mm (2") doit être maintenu entre les parois du groupe compresseur-condenseur et toute surface combustible.

ATTENTION

Placez l'appareil à une hauteur de comptoir adaptée et sur un emplacement pratique pour son utilisation. L'emplacement choisi doit être de niveau et solide afin de supporter le poids de l'appareil et de son contenu.

AVIS

Maintenez l'appareil dans la position verticale lors du transport et de l'installation. Le non-respect de ces mesures pourrait endommager le système de réfrigération.

L'appareil est conçu pour être utilisé dans des environnements où la température ambiante se situe entre 18°C (65°F) et 30°C (86°F).

En cas d'expédition en hiver, stocker l'appareil dans un environnement à température ambiante adéquate pendant 10 heures afin d'éviter d'endommager le compresseur et/ou le circuit frigorifique. Si l'appareil est allumé et que vous constatez une vibration et des bruits excessifs, éteignez-le immédiatement et laissez-le chauffer un peu plus longtemps.

Prévoyez des ouvertures à grille ou à persiennes de 31 x 31 cm soit 961 cm² (12" x 12"/144 pouces carrés) dans le meuble devant et derrière le groupe compresseur-condenseur pour une bonne ventilation. Une mauvaise circulation de l'air dans le groupe compresseur-condenseur pourrait entraîner une panne de l'appareil et aurait pour effet d'annuler la garantie.

Si plusieurs groupes compresseur-condenseur sont installés à l'intérieur d'un même meuble, l'air sortant ne doit pas être recyclé. L'arrivée d'air doit être située à l'extérieur du meuble.

AVIS

N'installez pas l'appareil dans un endroit présentant des déplacements d'air excessifs. Évitez les zones pouvant être soumises à des déplacements d'air ou à des courants d'air actifs (proximité de ventilateurs d'extraction/hottes d'aspiration, de conduites de climatisation et de portes extérieures).

Ne pas utiliser l'appareil à un endroit exposé à des températures excessives ou de la graisse de grils, friteuses, etc. Les températures excessives risquent d'abîmer l'appareil.

Tout dommage causé à un élément du comptoir par la chaleur ou le froid généré par l'équipement Hatco n'est pas couvert par la garantie de Hatco. Contactez le fabricant du comptoir pour plus de renseignements.

Toutes les plaques réfrigérantes sont expédiées dans une structure en bois garantissant stabilité et protection. Ne sortez l'appareil de sa structure d'expédition que lorsque le lieu d'installation et l'appareil sont prêts à être installés.

Contrôlez le lieu d'installation. Le meuble doit être doté d'ouvertures à grille ou à persiennes afin d'assurer la bonne ventilation du groupe compresseur-condenseur et l'accès au panneau de contrôle. Une des ouvertures de ventilation doit se situer devant les serpentins du condenseur et l'autre à l'opposé. Si plusieurs groupes compresseur-condenseur sont installés dans le même comptoir, chaque appareil doit aspirer de l'air frais et expulser de l'air chaud.

1. Retirez tout l'emballage externe de l'appareil.
2. Retirer le ruban et le film de protection de toutes les surfaces de l'appareil.

NOTA: Pour éviter des retards dans l'obtention de la couverture de la garantie, complétez l'enregistrement en ligne de votre garantie. Lisez la section INFORMATIONS IMPORTANTES POUR LE PROPRIÉTAIRE pour plus de détails.

Préparer le lieu d'installation

1. Percez dans le comptoir les trous des boulons de fixation adaptés pour installer l'appareil.
 - Pour les modèles CSBF à montage sur la face supérieure du comptoir, veuillez vous référer au paragraphe « Dimensions de découpe du comptoir — (modèles CSBF) » dans cette section.
 - Pour les modèles CSSB et CSSBF à montage sur la face inférieure du comptoir, veuillez vous référer au paragraphe « Dimensions de découpe du comptoir et positionnement des boulons de fixation (modèles CSSB et CSSBF) », dans cette section.
 - Pour les modèles CSU à montage sous le comptoir, veuillez vous référer au paragraphe « Positionnement des boulons de fixation (modèles CSU) », dans cette section. Assurez-vous que le comptoir est doté d'une surface solide avec un bon transfert thermique, par exemple en acier inoxydable, granit, quartz, Corian®, etc... Le comptoir doit avoir une épaisseur de 30 mm (1-3/16") ou moins.

NOTA: Les performances de chaque type de surface solide dépendent des caractéristiques du matériau de la surface.

2. En cas d'installation à distance du boîtier de contrôle, découpez et percez les trous adéquats dans la surface verticale où vous souhaitez installer le boîtier de contrôle. Pour connaître les dimensions des découpes, consultez les instructions de la section « Installer le boîtier de contrôle à distance ».
 - La profondeur d'installation requise pour le boîtier de commande est de 216 mm (8-1/2").
3. Réalisez les modifications structurelles ou ajoutez des renforts sous le comptoir pour vous assurer qu'il supportera le poids de l'appareil et de son contenu.
4. Veillez à ce que l'intérieur du meuble présente les caractéristiques et espaces suivants :
 - Une surface stable et plane de montage du groupe compresseur-condenseur se trouvant à moins de 1 219 mm (4') des fiches de raccordement situées sur la partie inférieure de la plaque réfrigérante. Veuillez vous référer à la section CARACTÉRISTIQUES TECHNIQUES pour connaître les dimensions d'installation.
 - Assurez-vous qu'une distance minimale de 152 mm (6") sera respectée entre le groupe compresseur-condenseur et toute surface combustible.
5. Effectuez deux ouvertures dans le comptoir afin de veiller à une ventilation adéquate du groupe compresseur-condenseur ainsi qu'un accès au panneau de contrôle. Des panneaux à persiennes ou à grille doivent être installés sur les ouvertures pour protéger le groupe compresseur-condenseur.
 - La dimension des ouvertures doit être d'au moins 31 cm x 31 cm (12" x 12") ou de 961 cm² (144 pouces carrés).
 - L'une des ouvertures doit être située devant les serpentins du condenseur tandis que l'autre doit être située du côté opposé.
6. Installez l'appareil. Veuillez vous référer à la procédure correspondant au modèle installé.

Installation d'un appareil avec support supérieur (Modèles CSBF)

AVIS

Lors de l'installation, manipulez l'appareil avec précaution et évitez au maximum de heurter les tuyaux et les conduites. La garantie ne couvre pas les éléments endommagés pendant l'installation.

1. Sortez l'appareil de la structure d'expédition et placez-le avec précaution dans la découpe du comptoir. Cette étape nécessite deux personnes ou plus en fonction de l'appareil.
2. Appliquez un cordon d'un produit d'étanchéité à base de silicone approuvé par la National Sanitation Foundation (NSF) sur le bord supérieur de la découpe du comptoir et sur la face inférieure de la bordure de montage de l'appareil. Le joint doit être prévu pour une utilisation à une température comprise entre -23°C (-10°F) et 121°C (250°F).

REMARQUE IMPORTANTE

Lors de l'expédition, le groupe compresseur-condenseur n'est pas fixé à la plaque réfrigérante. Ces deux éléments sont reliés uniquement par le flexible raccordant le groupe compresseur-condenseur et le serpentin d'évaporateur de la plaque réfrigérante. Lors de l'installation, manipulez l'appareil avec précaution et évitez de tirer sur le flexible.

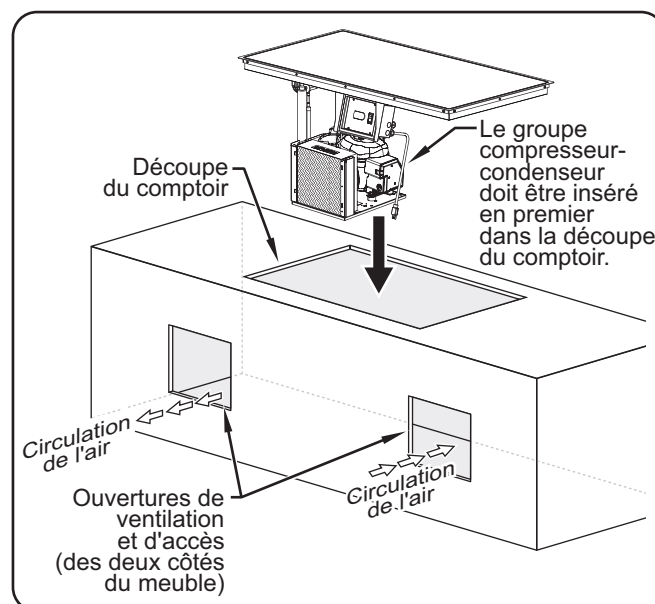
3. Sortez la plaque réfrigérante puis le groupe compresseur-condenseur de la structure d'expédition en bois et insérez-les avec précaution dans la découpe du comptoir. Cette étape doit être réalisée par au moins deux personnes.
 - Le groupe compresseur-condenseur doit être inséré en premier dans la découpe, puis fixé à une surface stable et plane située à moins de 1 219 mm (4') des fiches de raccordement de la partie inférieure de la plaque réfrigérante. Veuillez vous référer à la section CARACTÉRISTIQUES TECHNIQUES pour connaître les dimensions d'installation.
4. Installez le boîtier de commande à l'endroit souhaité (à distance, le cas échéant).
 - Le boîtier de commande peut être installé à une distance maximale de 1 219 mm (4') du groupe compresseur-condenseur. Reportez-vous à la procédure « Installation à distance du boîtier de commande » de la présente section.

NOTA: Le boîtier de commande peut être installé à moins de 2 286 mm (7-1/2') de l'unité de condensation avec un câble de commande en option de 2 286 mm (7-1/2').

ATTENTION

L'appareil/la surface d'installation NE DOIT PAS être penché une fois l'installation terminée : l'appareil n'est pas fixé et pourrait tomber. Il est uniquement destiné à une installation horizontale permanente.

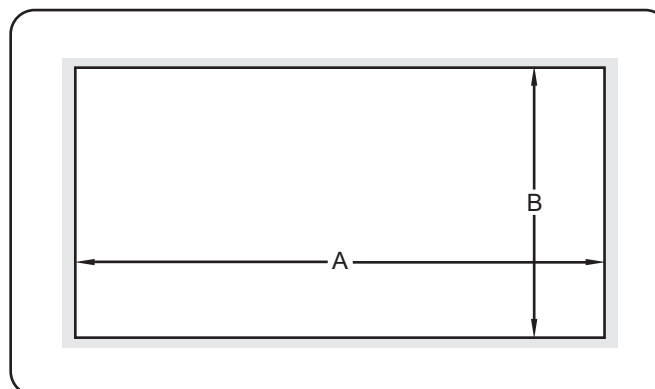
5. Nettoyez minutieusement la surface réfrigérante en vue de la mise en service. Référez-vous à la section Section MAINTENANCE pour connaître les procédures de nettoyage adaptées.
6. Branchez l'appareil à une prise de courant reliée à la terre de voltage, de taille et de configuration de fiche corrects. Consultez les CARACTÉRISTIQUES TECHNIQUES pour plus d'informations.



Installation d'un modèle de plaque réfrigérante CSBF

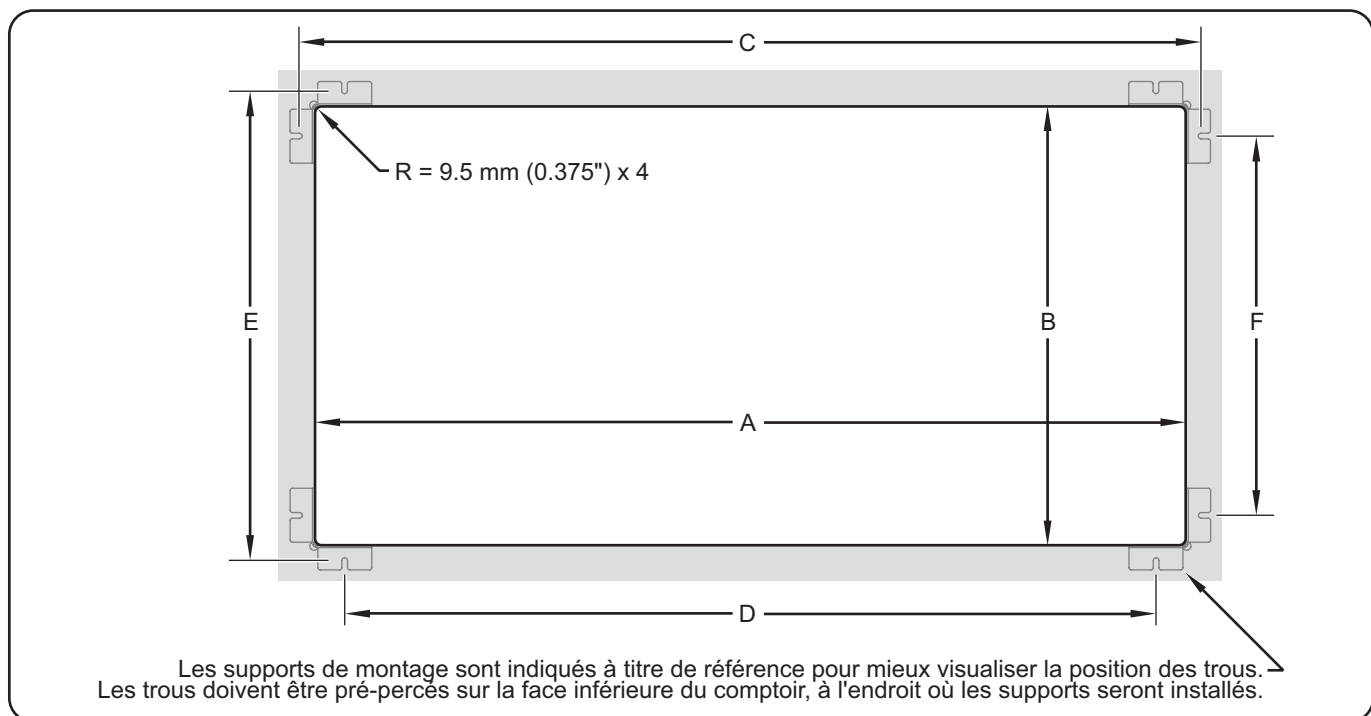
Dimensions de découpe du comptoir — Modèles CSBF

Modèle	Largeur (A)	Profondeur (B)
CSBF-24-F	625 to 635 mm (24-5/8" to 25")	409 to 419 mm (16-1/8" to 16-1/2")
CSBF-24-I	625 to 635 mm (24-5/8" to 25")	511 to 521 mm (20-1/8" to 20-1/2")
CSBF-24-S	625 to 635 mm (24-5/8" to 25")	625 to 635 mm (24-5/8" to 25")
CSBF-36-F	930 to 940 mm (36-5/8" to 37")	409 to 419 mm (16-1/8" to 16-1/2")
CSBF-36-I	930 to 940 mm (36-5/8" to 37")	511 to 521 mm (20-1/8" to 20-1/2")
CSBF-36-S	930 to 940 mm (36-5/8" to 37")	24-5/8" to 25" (625 to 635 mm)
CSBF-48-F	1234 to 1245 mm (48-5/8" to 49")	409 to 419 mm (16-1/8" to 16-1/2")
CSBF-48-I	1234 to 1245 mm (48-5/8" to 49")	511 to 521 mm (20-1/8" to 20-1/2")
CSBF-48-S	1234 to 1245 mm (48-5/8" to 49")	625 to 635 mm (24-5/8" to 25")



Dimensions de la découpe du comptoir et des vis de montage — Modèles CSSB et CSSBF

Modèle	Encoche Largeur (A)	Encoche Profondeur (B)	Position du trou de vissage (C)	Position du trou de vissage (D)	Position du trou de vissage (E)	Position du trou de vissage (F)
CSSB-2418	619 mm (24-3/8")	467 mm (18-3/8")	670 mm (26-3/8")	533 mm (21")	517 mm (20-3/8")	380 mm (15")
CSSB-3018	772 mm (30-3/8")	467 mm (18-3/8")	822 mm (32-3/8")	685 mm (27")	517 mm (20-3/8")	380 mm (15")
CSSB-3618	924 mm (36-3/8")	467 mm (18-3/8")	974 mm (38-3/8")	837 mm (33")	517 mm (20-3/8")	380 mm (15")
CSSB-4818	1229 mm (48-3/8")	467 mm (18-3/8")	1279 mm (50-3/8")	1142 mm (45")	517 mm (20-3/8")	380 mm (15")
CSSBF-24-F	619 mm (24-3/8")	403 mm (15-7/8")	670 mm (26-3/8")	533 mm (21")	454 mm (17-7/8")	317 mm (12-1/2")
CSSBF-24-I	619 mm (24-3/8")	505 mm (19-7/8")	670 mm (26-3/8")	533 mm (21")	555 mm (21-7/8")	418 mm (16-1/2")
CSSBF-24-S	619 mm (24-3/8")	619 mm (24-3/8")	670 mm (26-3/8")	533 mm (21")	670 mm (26-3/8")	533 mm (21")
CSSBF-36-F	924 mm (36-3/8")	403 mm (15-7/8")	974 mm (38-3/8")	837 mm (33")	454 mm (17-7/8")	317 mm (12-1/2")
CSSBF-36-I	924 mm (36-3/8")	505 mm (19-7/8")	974 mm (38-3/8")	837 mm (33")	555 mm (21-7/8")	418 mm (16-1/2")
CSSBF-36-S	924 mm (36-3/8")	619 mm (24-3/8")	974 mm (38-3/8")	837 mm (33")	670 mm (26-3/8")	533 mm (21")
CSSBF-48-F	1229 mm (48-3/8")	403 mm (15-7/8")	1279 mm (50-3/8")	1142 mm (45")	454 mm (17-7/8")	317 mm (12-1/2")
CSSBF-48-I	1229 mm (48-3/8")	505 mm (19-7/8")	1279 mm (50-3/8")	1142 mm (45")	555 mm (21-7/8")	418 mm (16-1/2")
CSSBF-48-S	1229 mm (48-3/8")	619 mm (24-3/8")	1279 mm (50-3/8")	1142 mm (45")	670 mm (26-3/8")	533 mm (21")



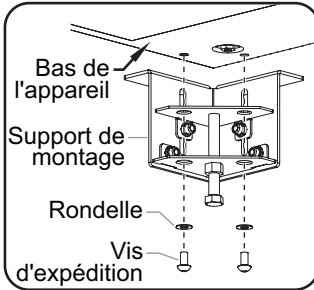
Installation d'une unité avec support inférieur (Modèles CSSB et CSSBF)

AVIS

Lors de l'installation, manipulez l'appareil avec précaution et évitez au maximum de heurter les tuyaux et les conduites. La garantie ne couvre pas les éléments endommagés pendant l'installation.

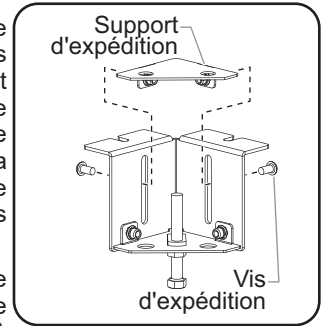
1. Enlevez le support de montage de chaque angle de la plaque réfrigérante. Pour ce faire :

- a. Retirez les deux vis d'expédition et les rondelles utilisées pour fixer chaque support de montage à la partie inférieure de l'appareil.



- b. Sortez avec précaution la plaque réfrigérante de la structure d'expédition en bois et faites-la pivoter suffisamment pour que l'appareil puisse être reposé sur la structure (les supports de montage restent sur la structure ou tombent de l'appareil). Veillez à ne pas tirer ou endommager les flexibles du groupe compresseur-condenseur. Selon l'appareil, cette étape doit être réalisée par au moins deux personnes.
- c. Si nécessaire, retirez les supports de montage de la structure.

2. Sur chaque support de montage, enlevez les vis d'expédition et le support d'expédition triangulaire utilisé pour attacher le support de montage à la partie inférieure de la plaque réfrigérante, et mettez-les au rebut.



3. Installez un support de montage sur la face inférieure du comptoir, à chaque angle de la découpe.

- a. Alignez les encoches en forme de U du support de montage sur les deux trous pré-perçés sur la face inférieure du comptoir. La surface intérieure du support de montage doit être alignée verticalement sur la face intérieure de la découpe du comptoir.

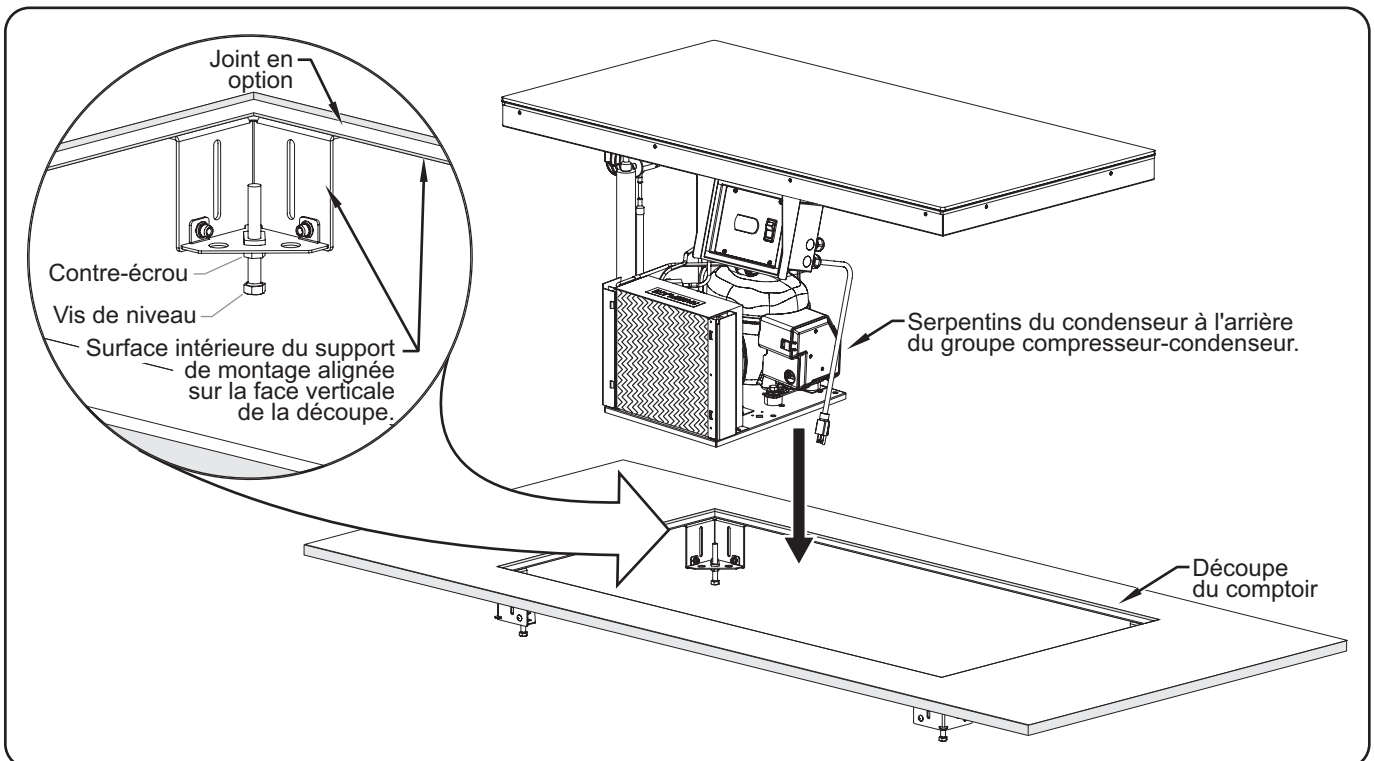
- b. Insérez les éléments de fixation adaptés dans le support de montage et les chevilles installées dans les trous de montage percés sur la face inférieure du comptoir. Serrez fermement.

4. Installez le joint auto-adhésif inclus autour de la surface verticale intérieure de la découpe du comptoir.

- Le joint doit être positionné à 6 mm (1/4") en dessous de la surface supérieure du comptoir.

NOTA: Si vous ne disposez pas du joint autocollant, mastiquez le tour de la surface verticale de la découpe à 6 mm (1/4") en dessous de la surface supérieure du comptoir. Ainsi, le produit d'étanchéité à base de silicone qui sera appliqué ultérieurement ne pourra pas couler entre le comptoir et la plaque réfrigérante.

continué...

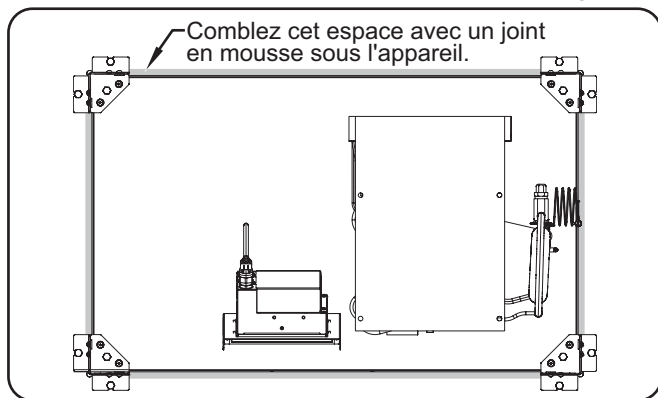


Installation d'un modèle de plaque réfrigérante CSSBF

5. Insérez avec précaution le groupe compresseur-condenseur puis la plaque réfrigérante dans la découpe du comptoir. Cette étape doit être réalisée par au moins deux personnes.
 - Le groupe compresseur-condenseur doit être inséré en premier dans la découpe, puis fixé à une surface stable et plane située à moins de 1 219 mm (4') des fiches de raccordement de la partie inférieure de la plaque réfrigérante. Veuillez vous référer à la section CARACTÉRISTIQUES TECHNIQUES pour connaître les dimensions d'installation.
 - La plaque réfrigérante repose sur quatre vis de niveau qui font partie des supports de montage installés dans chaque angle de la découpe du comptoir.
6. Ajustez les vis de niveau situées sous chaque coin de l'appareil de manière à ce que la plaque affleure ou soit légèrement en-dessous de la surface du comptoir.
7. Serrez le contre-écrou de chaque vis de niveau afin de la bloquer en position.
8. Appliquez un cordon d'un produit d'étanchéité à base de silicone approuvé par la NSF dans l'espace entre le comptoir et la plaque réfrigérante. Pour appliquer un cordon d'étanchéité propre et régulier :
 - a. Assurez-vous que la plaque est parfaitement centrée dans la découpe du comptoir.
 - b. Posez du ruban de masquage de chaque côté de l'espace afin de marquer les bords du joint d'étanchéité.
 - c. Appliquez soigneusement le produit d'étanchéité dans l'espace.
 - d. Lissez rapidement la surface du joint.
 - e. Retirez le ruban de masquage avec précaution avant que le produit d'étanchéité ne sèche.

NOTA: Le produit d'étanchéité à base de silicone doit être prévu pour une utilisation à une température comprise entre -23 °C (-10 °F) et 121 °C (250 °F).

9. Appliquez un joint en mousse à base de polyuréthane pour combler le trou entre le comptoir et la plaque réfrigérante.



Espace comblé par le joint en mousse

ATTENTION

L'appareil/la surface d'installation **NE DOIT PAS** être penché une fois l'installation terminée : l'appareil n'est pas fixé et pourrait tomber. Il est uniquement destiné à une installation horizontale permanente.

10. Installez le boîtier de commande à l'endroit souhaité (à distance, le cas échéant).

- Le panneau de contrôle peut être installé à une distance maximale de 1 219 mm (4') du groupe compresseur-condenseur. Reportez-vous à la procédure « Installation à distance du boîtier de commande » de la présente section.

NOTA: Le boîtier de commande peut être installé à moins de 2 286 mm (7-1/2') de l'unité de condensation avec un câble de commande en option de 2 286 mm (7-1/2').

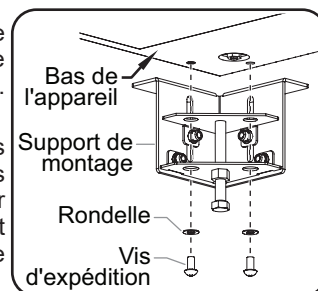
11. Nettoyez minutieusement la surface de la plaque réfrigérante en vue de la mise en service. Pour les procédures de nettoyage adéquates, reportez-vous à la section Entretien.
12. Branchez l'appareil à une prise de courant reliée à la terre de voltage, de taille et de configuration de fiche corrects. Consultez les CARACTÉRISTIQUES TECHNIQUES pour plus d'informations.

Installation d'un appareil qui se fixe sous un comptoir (Modèles CSU)

Les modèles CSU sont montés directement sous la face inférieure d'un comptoir à surface solide. La chaleur est transférée à travers le comptoir vers la face supérieure, offrant ainsi une installation véritablement invisible.

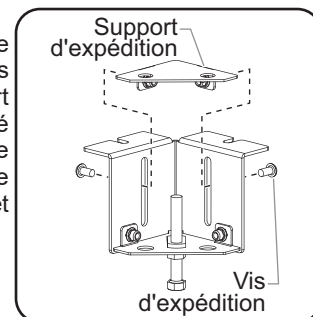
1. Enlevez le support de montage de chaque angle de la plaque réfrigérante. Pour ce faire :

- a. Retirez les deux vis d'expédition et les rondelles utilisées pour fixer chaque support de montage à la partie inférieure de l'appareil.



- b. Sortez avec précaution la plaque réfrigérante de la structure d'expédition en bois et faites-la pivoter suffisamment pour que l'appareil puisse être reposé sur la structure (les supports de montage restent sur la structure ou tombent de l'appareil). Veillez à ne pas tirer ou endommager les flexibles du groupe compresseur-condenseur. Selon l'appareil, cette étape doit être réalisée par au moins deux personnes.
- c. Si nécessaire, retirez les supports de montage de la structure.

2. Sur chaque support de montage, enlevez les vis d'expédition et le support d'expédition triangulaire utilisé pour attacher le support de montage à la partie inférieure de la plaque réfrigérante, et mettez-les au rebut.

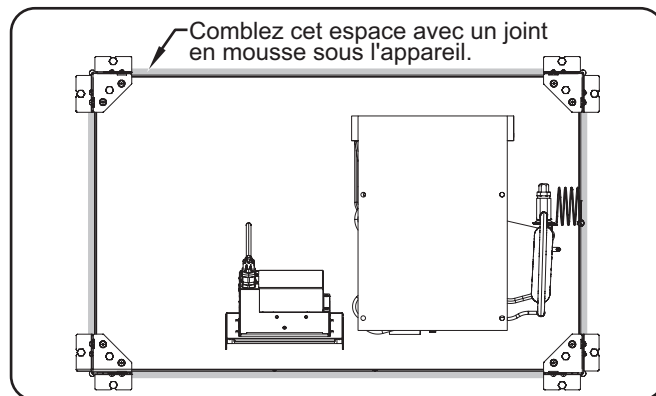


3. Fixez trois des supports de montage sur la face inférieure du comptoir préparé aux emplacements pré-perçés. Pour fixer chacun d'entre eux :

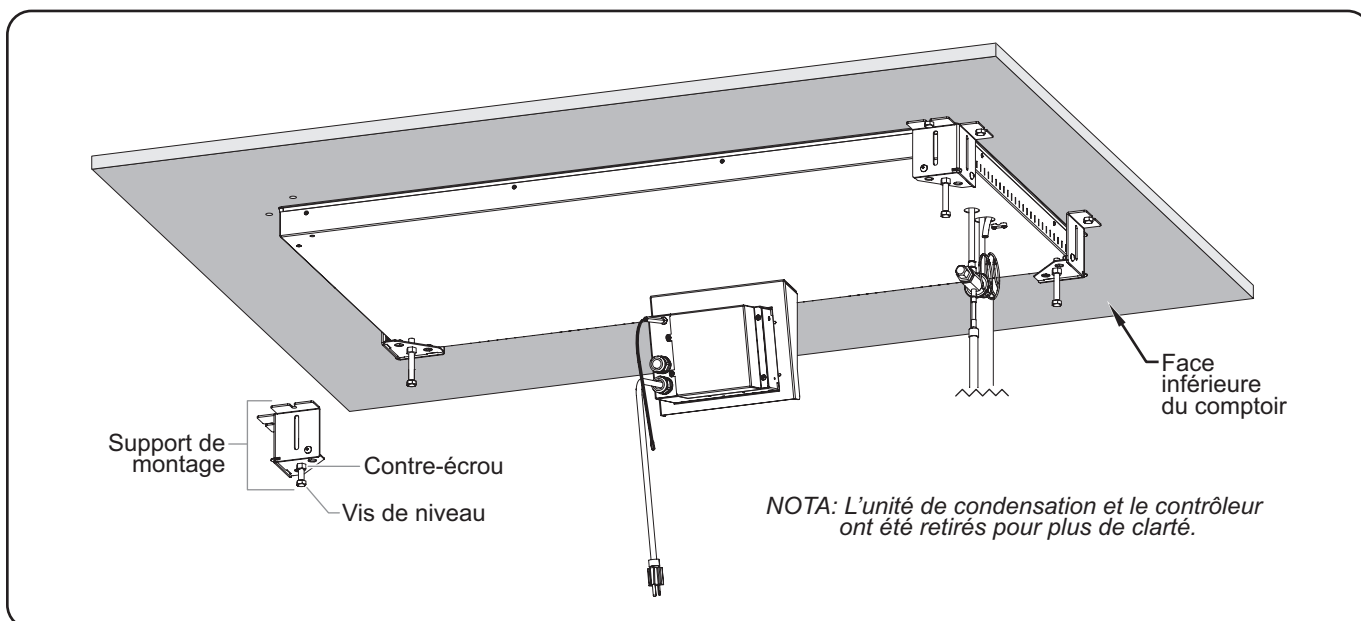
NOTA: Veuillez consulter le schéma d'installation à la page suivante.

- a. Alignez les encoches en forme de U du support de montage sur les deux trous pré-perçés sur la face inférieure du comptoir. La face intérieure du support de montage doit faire face à l'appareil.
 - b. Insérez les éléments de fixation adaptés dans le support de montage et les chevilles installées dans les trous de montage percés sur la face inférieure du comptoir. Serrez fermement.
4. Appliquez une couche de joint thermique (inclus) sur la partie supérieure du comptoir en utilisant une truelle dentelée de 5 mm (3/16") (incluse).
 5. Insérez avec précaution la plaque réfrigérante dans les trois supports de montage fixés sur la face inférieure du comptoir. Cette étape doit être réalisée par au moins deux personnes.
 - La plaque réfrigérante repose sur les vis de niveau qui font partie des supports de montage installés dans chaque angle de la découpe du comptoir.
 - Faites glisser l'une des extrémités de la plaque réfrigérante dans les deux supports de montage d'un côté, puis faites-la pivoter pour l'insérer dans le support de montage de l'autre côté.
 - Le groupe compresseur-condenseur doit être fixé à une surface stable et plane située à moins de 1 219 mm (4') des fiches de raccordement de la partie inférieure de la plaque réfrigérante. Veuillez vous référer à la section CARACTÉRISTIQUES TECHNIQUES pour connaître les dimensions d'installation.

6. Fixez le quatrième support de montage à la face inférieure du comptoir, au niveau du coin ouvert de la plaque réfrigérante.
7. Ajustez la vis de niveau située sous chaque coin de l'appareil de manière à ce que la plaque affleure la face inférieure du comptoir.
8. Serrez le contre-écrou de chaque vis de niveau afin de la bloquer en position.
9. Appliquez un joint en mousse à base de polyuréthane pour combler le trou entre le comptoir et la plaque réfrigérante.



Espace comblé par le joint en mousse



Installation d'un modèle CSU de plaque réfrigérante

Installer le panneau de contrôle à distance

Suivez la procédure ci-dessous pour installer le boîtier de commande à une distance maximale de 1 219 mm (4') du groupe compresseur-condenseur.

⚠ AVERTISSEMENT

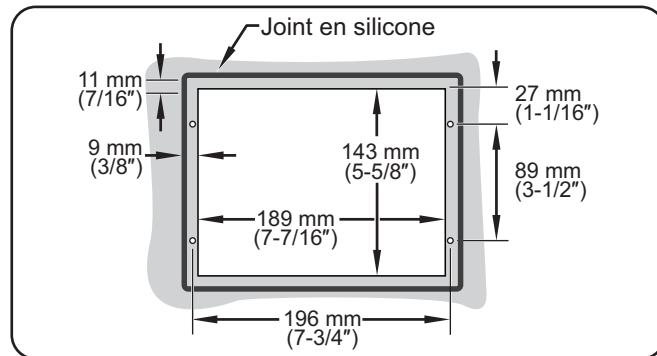
Le panneau de contrôle doit être installé sur une surface verticale. L'installation du panneau de contrôle sur une surface horizontale peut entraîner une accumulation de liquides et un risque d'électrocution.

1. Coupez et percez les trous appropriés dans la surface de fixation. Référez-vous à l'illustration « Dimensions des emplacements d'orifices de passage de vis et de découpe pour le panneau de commande » pour obtenir les dimensions de découpe.

NOTA: Veillez à ce que la largeur de la découpe du panneau de contrôle n'excède pas la dimension ci-dessus.

2. Retirez les quatre vis de compensation du panneau de contrôle et retirez le revêtement protecteur.
3. Placez le panneau de contrôle dans l'ouverture par l'arrière.
4. Fixez le panneau de contrôle sur la surface verticale à l'aide de quatre vis (non fournies).
5. Appliquez un point de joint en silicone approuvé par la NSF de 6 mm (1/4") là où le couvercle à découper sera en contact avec la surface de l'armoire. Référez-vous à l'illustration « Dimensions des emplacements d'orifices de passage de vis et de découpe pour le panneau de commande » pour obtenir plus d'informations.

6. Réinstallez le revêtement protecteur sur le panneau de contrôle et fixez-le à l'aide des quatre vis de compensation. Assurez-vous que l'extrémité du couvercle est bien enfoncée dans le joint en silicone.

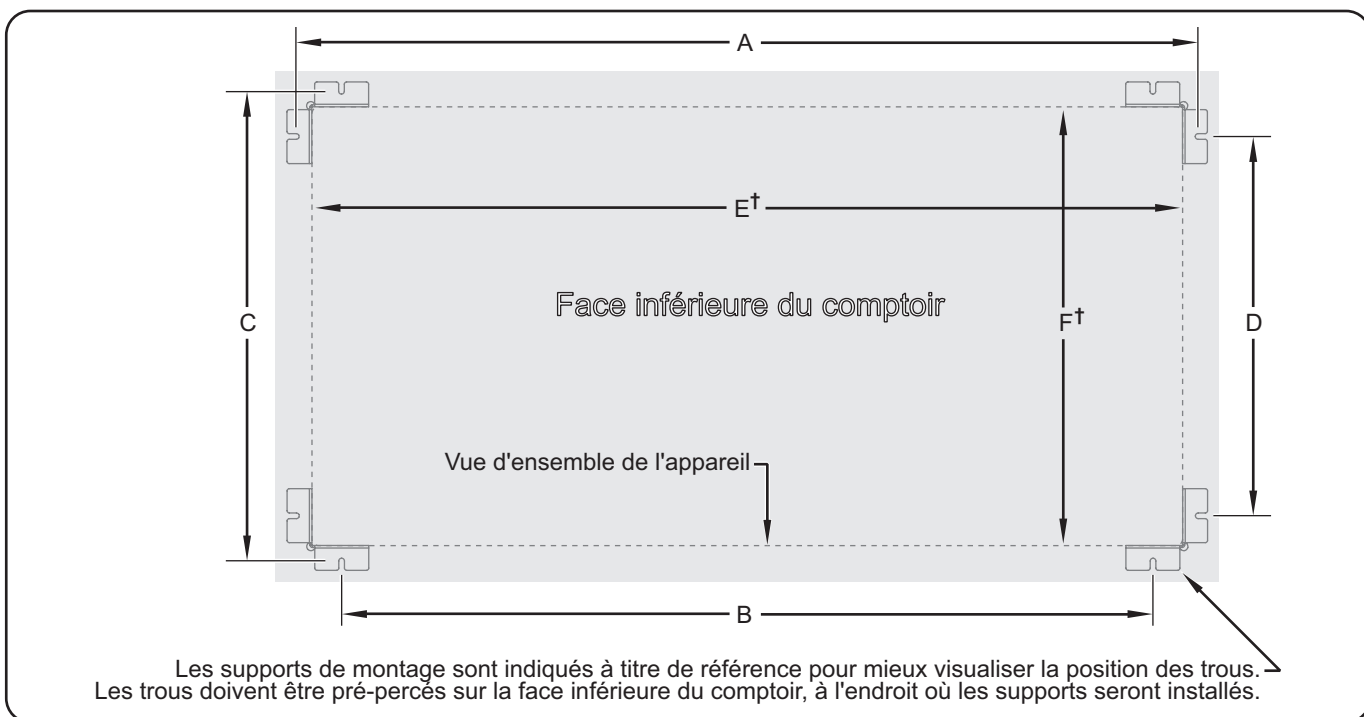


Dimensions des emplacements d'orifices de passage de vis et de découpe pour le panneau de commande

Dimensions des boulons de montage — Modèles CSU

Modèle	Position du trou de vissage (A)	Position du trou de vissage (B)	Position du trou de vissage (C)	Position du trou de vissage (D)	Largeur de la découpe (E) †	Profondeur de la découpe (F) †
CSU-24-F	677 mm (26-11/16")	541 mm (21-5/16")	462 mm (18-3/16")	325 mm (12-13/16")	24-3/8" (619 mm)	15-7/8" (403 mm)
CSU-24-I	677 mm (26-11/16")	541 mm (21-5/16")	563 mm (22-3/16")	426 mm (16-13/16")	24-3/8" (619 mm)	19-7/8" (505 mm)
CSU-24-S	677 mm (26-11/16")	541 mm (21-5/16")	677 mm (26-11/16")	541 mm (21-5/16")	24-3/8" (619 mm)	24-3/8" (619 mm)
CSU-36-F	982 mm (38-11/16")	845 mm (33-5/16")	462 mm (18-3/16")	325 mm (12-13/16")	36-3/8" (924 mm)	15-7/8" (403 mm)
CSU-36-I	982 mm (38-11/16")	845 mm (33-5/16")	563 mm (22-3/16")	426 mm (16-13/16")	36-3/8" (924 mm)	19-7/8" (505 mm)
CSU-36-S	982 mm (38-11/16")	845 mm (33-5/16")	677 mm (26-11/16")	541 mm (21-5/16")	36-3/8" (924 mm)	24-3/8" (619 mm)
CSU-48-F	1287 mm (50-11/16")	1150 mm (45-5/16")	462 mm (18-3/16")	325 mm (12-13/16")	48-3/8" (1229 mm)	15-7/8" (403 mm)
CSU-48-I	1287 mm (50-11/16")	1150 mm (45-5/16")	563 mm (22-3/16")	426 mm (16-13/16")	48-3/8" (1229 mm)	19-7/8" (505 mm)
CSU-48-S	1287 mm (50-11/16")	1150 mm (45-5/16")	677 mm (26-11/16")	541 mm (21-5/16")	48-3/8" (1229 mm)	24-3/8" (619 mm)

† Les dimensions de la découpe ne sont nécessaires que lorsqu'une construction supplémentaire sous le comptoir requiert une découpe pour que l'appareil puisse passer et entrer en contact avec le fond du comptoir.



Généralités

Suivez les procédures suivantes pour mettre en marche une plaque réfrigérante.

AVERTISSEMENT

Lire tous les messages de sécurité de la section **CONSIGNES DE SÉCURITÉ IMPORTANTES** avant d'utiliser ce matériel.


Assurez-vous que les aliments ont été correctement réfrigérés à une température appropriée avant de les placer dans l'appareil. Maintenir des aliments à une température inappropriée peut entraîner des risques graves pour la santé. Cet appareil est uniquement destiné à maintenir frais des aliments préalablement réfrigérés.


Cet appareil permet de conserver des aliments pendant des courts délais. Ne conservez jamais d'aliments pendant plus de 4 heures.

AVIS

L'appareil est conçu pour être utilisé dans des environnements où la température ambiante se situe entre 65°F (18°C) et 86°F (30°C).

En cas d'expédition en hiver, stocker l'appareil dans un environnement à température ambiante adéquate pendant 10 heures afin d'éviter d'endommager le compresseur et/ou le circuit frigorifique. Si l'appareil est allumé et que vous constatez une vibration et des bruits excessifs, éteignez-le immédiatement et laissez-le chauffer un peu plus longtemps.

NOTA : Si « OFF » clignote sur l'écran puis la température actuelle, maintenez le bouton  enfoncé pendant trois secondes. « OFF » ne clignote plus sur l'écran.


Si « df » clignote sur l'écran puis la température actuelle, maintenez le bouton  enfoncé pendant trois secondes. « df » ne clignote plus sur l'écran.

Allumage

1. Pour les modèles CSSB et CSSBF, nettoyez et désinfectez la plaque en pierre à l'aide d'un chiffon propre et humide et d'un désinfectant agréé pour les surfaces en contact avec des aliments.

2. Placez l'interrupteur I/O (marche/arrêt) sur la position « I » (marche) (l'interrupteur se trouve sur le panneau de contrôle).

- Le régulateur de température numérique va être activé et la mention « ON » (marche) va s'afficher sur l'écran, ainsi que la température actuelle de l'appareil.

- Le symbole  va apparaître sur l'écran, indiquant que le groupe compresseur-condenseur est activé et refroidit la cuve.

NOTA: Cet appareil est pré-réglé à la sortie de l'usine à une température nominale de 25°F (-4°C). Si les conditions ambiantes nécessitent un réglage de la température nominale, reportez-vous à la partie « Modifier la température nominale » dans cette section.

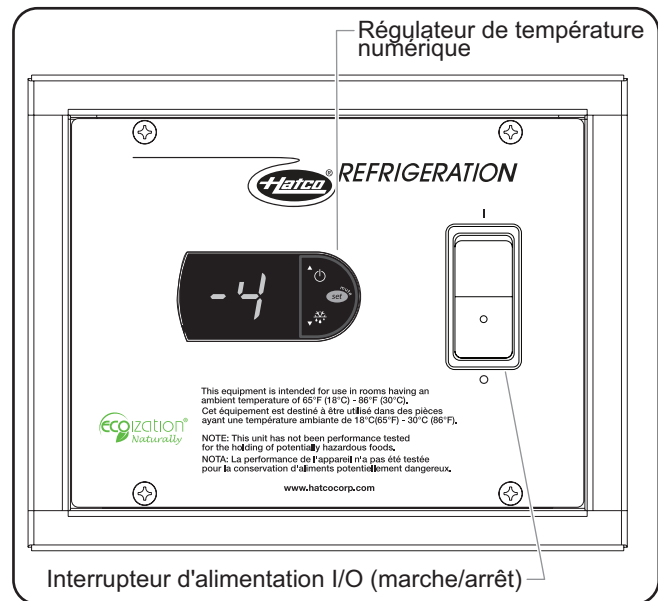
AVERTISSEMENT

Hatco Corporation n'est pas responsable de la température réelle à laquelle les aliments sont servis. Il est de la responsabilité de l'utilisateur de s'assurer que la nourriture est conservée et servie à une température sans danger.

3. Attendez 60 minutes, le temps pour l'appareil d'atteindre la température nominale, avant d'y placer les produits pré-réfrigérés.

4. Vérifiez sur l'écran que l'appareil a atteint la température nominale adéquate et remplacez les bacs vides placés dans la cuve par des bacs contenant des aliments réfrigérés.

- Pour les modèles CSBF, aucun produit alimentaire ne doit être déposé directement sur la surface en aluminium à revêtement dur. Utilisez des bacs.
- Remuez fréquemment les aliments plus consistants afin de répartir le froid de manière uniforme.



Panneau de contrôle

Arrêt

- Réglez l'interrupteur I/O (marche/arrêt) en position « O » (arrêt). Le régulateur de température numérique et le groupe compresseur-condenseur vont s'éteindre.
- Effectuez la procédure de « nettoyage quotidien » décrite dans la section Maintenance de ce manuel.




AVIS

Nettoyez l'unité quotidiennement pour éviter les dysfonctionnements et assurer un fonctionnement sain.

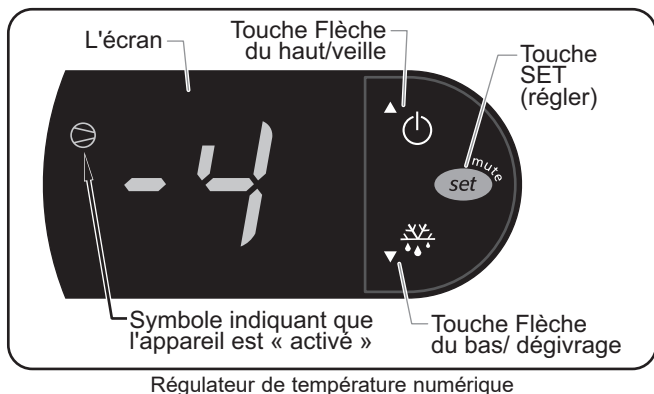
Modifier la température nominale

Suivez la procédure suivante pour modifier la température nominale sur le régulateur de température numérique.

NOTA: La température nominale doit être modifiée progressivement (de 1 ou 2 degrés). Attendez au minimum deux heures après un changement de température avant de vérifier le résultat.

- Appuyez pendant une seconde sur la touche  jusqu'à ce que la température nominale actuelle clignote sur l'écran.
- Appuyez sur la touche  ou  pour augmenter ou baisser la température nominale. Si vous n'appuyez sur aucune touche dans les 60 secondes, l'écran reprendra son fonctionnement normal et la température actuelle de l'appareil s'affichera sur l'écran.

3. Appuyez sur la touche **set** pour enregistrer la nouvelle température nominale. L'écran va revenir à l'affichage de la température actuelle de l'appareil.



NOTA : Si « OFF » clignote sur l'écran puis la température actuelle, maintenez le bouton enfoncé pendant trois secondes. « OFF » ne clignote plus sur l'écran.

Si « df » clignote sur l'écran puis la température actuelle, maintenez le bouton enfoncé pendant trois secondes. « df » ne clignote plus sur l'écran.

Programmer le cycle de dégivrage automatique

Les cuves réfrigérées libre service Hatco sont programmées à l'usine de manière à ce que le cycle de dégivrage automatique soit désactivé. Suivez la procédure suivante pour activer le ou les cycle, si les conditions ambiantes ou de fonctionnement nécessitent un dégivrage occasionnel de l'appareil. Quand un appareil entre dans un cycle de dégivrage, le symbole apparaîtra sur l'écran.

1. Appuyez sur la touche **set** pendant trois secondes pour accéder au mode de programmation. La mention « PS » (mot de passe) va s'afficher sur l'écran.
2. Appuyez à nouveau sur la touche **set**. Un chiffre va s'afficher sur l'écran.
3. Appuyez sur la touche ou jusqu'à ce que le chiffre « 22 » s'affiche sur l'écran, puis appuyez sur la touche **set**.
4. Utilisez la touche ou pour faire défiler les paramètres de programmation jusqu'à ce que la mention « dl » (intervalle de dégivrage) s'affiche sur l'écran.
5. Appuyez sur la touche **set** et sélectionnez « dl ». Le nombre de cycles de dégivrage actuel s'affichera sur l'écran. Pour la première mise en service de l'appareil, ce nombre sera « 0 ».

6. Appuyez sur la touche ou dans les 60 secondes pour faire défiler le nombre d'heures souhaité entre chaque cycle de dégivrage. Voici ci-dessous quelques exemples de fonctionnement du ou des cycle(s) de dégivrage :

« 0 » = le dégivrage automatique est désactivé

« 1 » = l'appareil effectuera un dégivrage toutes les heures

« 4 » = l'appareil effectuera un dégivrage toutes les quatre heures

« 12 » = l'appareil effectuera un dégivrage toutes les douze heures

Si vous n'appuyez sur aucune touche dans les 60 secondes, l'écran reprendra son fonctionnement normal et la température actuelle de l'appareil s'affichera sur l'écran.

7. Appuyez sur la touche **set** pour enregistrer le nouveau réglage du cycle de dégivrage.
8. Appuyez sur la touche **set** pendant trois secondes pour quitter le mode de programmation. L'écran va revenir à l'affichage de la température actuelle de l'appareil.

Alternance entre l'affichage Fahrenheit et Celsius

Utilisez la procédure ci-après pour alterner entre l'affichage Fahrenheit et Celsius.

1. Maintenez le bouton **set** enfoncé pendant trois secondes pour accéder au mode de programmation. La mention « PS » (mot de passe) va s'afficher sur l'écran.
2. Appuyez sur le bouton **set** une nouvelle fois. Un chiffre va s'afficher sur l'écran.
3. Appuyez sur le bouton ou jusqu'à ce que le chiffre « 22 » s'affiche à l'écran, puis appuyez sur le **set** bouton.
4. Utilisez le bouton ou pour faire défiler les paramètres de programmation jusqu'à que s'affiche à l'écran.
5. Appuyez sur le bouton **set** pour sélectionner .
6. Appuyez sur le bouton ou dans les 60 secondes pour atteindre le paramètre souhaité. Voici ci-dessous le paramètre correct :

« 0 » = Affichage en Celsius

« 1 » = Affichage en Fahrenheit

Si vous n'appuyez sur aucune touche dans les 60 secondes, l'écran reprendra son fonctionnement normal et la température actuelle de l'appareil s'affichera sur l'écran.

7. Appuyez sur le bouton **set** pour enregistrer le nouveau réglage.
8. Maintenez le bouton **set** enfoncé pendant trois secondes pour quitter le mode de programmation. L'écran va revenir à l'affichage de la température actuelle de l'appareil.

Généralités

Les plaques réfrigérantes de Hatco sont conçues pour une durabilité et des performances maximales avec un minimum d'entretien.

⚠ AVERTISSEMENT

DANGER DE DÉCHARGE ÉLECTRIQUE :

- Mettez l'unité hors tension depuis l'interrupteur et débranchez le cordon d'alimentation avant d'effectuer tout nettoyage, tout réglage ou tout entretien.
- **NE PAS immerger l'appareil ni le saturer d'eau. L'appareil n'est pas étanche à l'eau. Ne pas le faire fonctionner s'il a été immergé ou saturé d'eau.**
- L'appareil n'est pas résistant aux projections. N'utilisez pas de pulvérisation de jets nettoyants pour nettoyer l'appareil.
- Ne nettoyez pas l'appareil à la vapeur et n'utilisez pas de l'eau en quantité excessive.

DANGER D'INCENDIE : N'utilisez pas des solutions nettoyantes inflammables pour nettoyer cet appareil.

Cet appareil ne contient aucune pièce réparable par l'utilisateur. Si cet appareil doit être réparé, contacter un réparateur Hatco agréé ou le Service après-vente Hatco au +1-414-671-6350.

AVIS

Nettoyez l'unité quotidiennement pour éviter les dysfonctionnements et assurer un fonctionnement sain.

Utilisez uniquement des nettoyants non abrasifs et des chiffons doux. Les chiffons et nettoyant abrasifs pourraient rayer la finition de l'unité, altérant son apparence et la rendant vulnérable à l'accumulation de saleté.

N'utilisez pas de paille de fer pour le nettoyage. La paille de fer raye les finitions.

L'utilisation de produits chimiques agressifs tels que l'eau de javel, les produits nettoyants contenant de la javel, ou les produits de nettoyage pour les fours sont proscrits pour nettoyer l'appareil.

Nettoyage quotidien

Pour préserver l'aspect et les performances de l'appareil, appliquez quotidiennement les procédures de nettoyage suivantes.

1. Tous les jours, avant de mettre sous tension les modèles CSSB ou CSSBF, nettoyez et désinfectez la plaque en pierre à l'aide d'un chiffon propre et humide et d'un désinfectant agréé pour les surfaces en contact avec des aliments. Si un nettoyage plus poussé s'avère nécessaire, reportez-vous au paragraphe « Nettoyer la surface en pierre » dans cette section.
2. À la fin de chaque journée :
 - a. Réglez l'interrupteur d'alimentation I/O (marche/arrêt) en position « O » (arrêt) et attendez que l'appareil dégivre.
 - b. Retirez et lavez tous les bacs
 - c. Nettoyez la plaque à l'aide d'un chiffon ou d'une éponge propre et d'un détergent peu abrasif. Servez-vous d'une éponge à récurer en plastique pour retirer toute particule solide de nourriture ou dépôt de minéraux.
 - d. Rincez abondamment la plaque à l'eau chaude afin d'éliminer tout résidu de produit de nettoyage.
 - e. Essuyez la plaque à l'aide d'un chiffon propre et désinfecté pour enlever toute trace de produit de nettoyage. Répétez l'opération jusqu'à ce qu'il n'y ait plus aucune trace de produit de nettoyage et que la plaque soit propre.
 - f. Essuyez l'intégralité de l'unité en utilisant un chiffon doux et sec.
 - g. Nettoyez l'extérieur de panneaux à persiennes ou à grille installés sur les ouvertures de ventilation.

Nettoyer la surface en pierre (Modèles CSSB et CSSBF)

Correctement utilisés, les produits mentionnés ci-dessous n'endommageront pas la surface en pierre (suivez les instructions indiquées sur l'étiquette des produits).

NOTA: Les surfaces en pierre sont en pierre artificielle.

ATTENTION

Une fois la surface en pierre dégrassée en profondeur à l'aide d'un abrasif, nettoyez-la et désinfectez-la correctement avant d'y déposer des produits alimentaires.

REMARQUE IMPORTANTE

Pour les appareils à montage sur la face inférieure du comptoir, un cordon de produit d'étanchéité à base de silicone est interposé entre l'appareil et le comptoir. Les tampons abrasifs doivent donc être utilisés avec précaution, en évitant tout contact avec le joint en silicone.

Taches tenaces

Pour les taches tenaces, utiliser le tampon abrasif fourni ainsi qu'un nettoyant abrasif de type Ajax, Comet, Bon Ami, Magic Scrub ou Bar Keeper's Friend. Des tampons abrasifs supplémentaires sont disponibles auprès de Hatco (réf. 04.39.049.00). **AVIS : Utilisez uniquement le tampon abrasif fourni sur la surface en pierre.**

NOTA: N'utilisez pas de laine d'acier ou de tampon de décapage en métal.

Taches minérales

Pour les taches minérales, il est recommandé d'utiliser des nettoyants conçus pour nettoyer le fer ou la rouille, qui n'endommageront pas la surface en pierre.

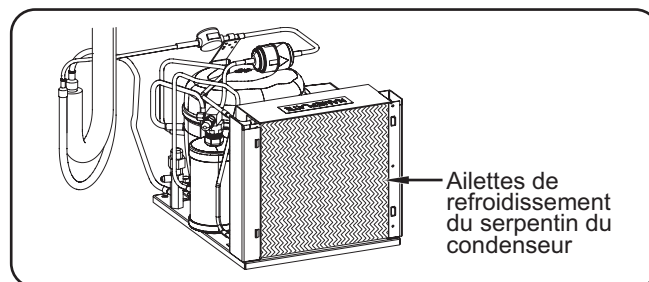
Rayures

Pour éliminer les rayures, utilisez d'abord du papier de verre à gros grain, puis à grain de plus en plus fin jusqu'à ce que les rayures disparaissent. Passez le tampon abrasif fourni sur toute la surface.

Nettoyage mensuel

Effectuez la procédure suivante tous les mois pour assurer un fonctionnement adapté et efficace ainsi que pour éviter tout dysfonctionnement du groupe compresseur-condenseur.

1. Retirez et nettoyez les deux côtés des panneaux à persiennes ou à grille installés sur les ouvertures de ventilation. La saleté et la poussière accumulées dans les panneaux peut restreindre la circulation d'air dans le groupe compresseur-condenseur et provoquer une surchauffe.
2. Nettoyez les ailettes de refroidissement du serpentín du condenseur. La saleté, la poussière et les peluches accumulées dans les ailettes de refroidissement empêcheront un refroidissement correct du système de réfrigération et du liquide frigorigène. Cette accumulation provoquera un fonctionnement inefficace et peut entraîner une panne de l'appareil. Utilisez les méthodes suivantes pour nettoyer les ailettes de refroidissement du serpentín du condenseur :
 - Aspirez les ailettes de refroidissement.
 - Brossez les ailettes de refroidissement verticalement à l'aide d'une brosse pour serpentín de condenseur. **AVIS : Brossez les ailettes de refroidissement avec précaution, elles sont délicates et peuvent se plier facilement. N'utilisez PAS de brosse métallique.**



Ailettes de refroidissement du serpentín du condenseur

NOTA: La fréquence des nettoyages conseillée est d'une fois par mois ; mais en fonction des conditions du lieu d'installation, il est possible que la procédure de nettoyage ait besoin d'être réalisée plus ou moins souvent. Surveillez le niveau de saleté, poussière et peluches accumulés dans les panneaux et dans les ailettes de refroidissement, et réglez la fréquence des nettoyages si nécessaire.

OPTIONS ET ACCESSOIRES

Extension de garantie de quatre ans pour les pièces

Une extension de garantie de quatre ans pour les pièces est en option pour le compresseur lors de l'achat. Cette garantie prend effet à expiration de la garantie standard d'un an.

Câbles de commande de 2 286 mm (7-1/2')



Les câbles de commande de 2 286 mm (7-1/2') permettent d'installer le boîtier de commande à moins de 2 286 mm (7-1/2') de l'unité de condensation.

⚠ AVERTISSEMENT

La réparation de cet appareil doit être confiée exclusivement à du personnel qualifié. Les réparations par des personnes non qualifiées peuvent provoquer des décharges électriques et des brûlures.

⚠ AVERTISSEMENT

DANGER DE DÉCHARGE ÉLECTRIQUE: Mettez l'unité hors tension depuis l'interrupteur et débranchez le cordon d'alimentation avant d'effectuer tout nettoyage, tout réglage ou tout entretien.

Symptômes	Causes Probables	Action Correctrice
La plaque est trop froide.	Point de consigne de température trop bas.	Paramétrez une température nominale plus élevée. Reportez-vous à la procédure « Mode d'emploi » de cette section.
	Le régulateur de température numérique ne fonctionne pas correctement.	Contactez votre agent de maintenance agréé ou Hatco pour toute demande d'assistance.
La plaque n'est pas suffisamment froide.	Les aliments n'ont pas été préalablement réfrigérés avant d'être placés dans l'appareil.	Ne placez que des aliments préalablement réfrigérés dans l'appareil.
	Il n'y a pas suffisamment de bacs alimentaires / il manque un ou plusieurs bacs dans l'appareil.	Placez des bacs alimentaires dans la cuve réfrigérée. En plaçant des bacs dans la cuve, cette dernière va se refroidir jusqu'à la température nominale de manière plus rapide et efficace.
	La température nominale est trop élevée.	Paramétrez une température nominale plus faible. Reportez-vous à la procédure « Mode d'emploi » de cette section.
	Le serpentin du condenseur et/ou les panneaux de ventilation sont bouchés.	Nettoyez le serpentin du condenseur et les panneaux de ventilation. Reportez-vous à la procédure « Nettoyage mensuel » de la section MAINTENANCE.
	Il y a trop de glace accumulée dans l'appareil.	Éteignez, dégivrez et nettoyez l'appareil. Activez un cycle de dégivrage automatique, si besoin (reportez-vous à la procédure dans la section MODE D'EMPLOI).
	Le régulateur de température numérique ne fonctionne pas correctement.	Contactez votre agent de maintenance agréé ou Hatco pour toute demande d'assistance.
	Le fluide frigorigène est faible ou fuit ou une panne interne est survenue dans le groupe compresseur-condenseur.	
L'appareil émet des vibrations et des bruits excessifs lorsqu'il est allumé.	Les composants internes n'ont pas été convenablement chauffés avant la mise en service.	Éteignez immédiatement l'appareil. L'appareil doit être stocké dans un environnement chaud, à une température de 65°F (18°C), pendant au moins 10 heures.
« OFF » clignote sur l'écran de commande et l'appareil ne fonctionne pas.	L'appareil est en mode veille.	Maintenez le bouton  enfoncé pendant trois secondes. « OFF » ne clignote plus sur l'écran.
« df » clignote sur l'écran de commande et l'appareil ne fonctionne pas.	L'appareil est en mode dégivrage.	Maintenez le bouton  enfoncé pendant trois secondes. « df » ne clignote plus sur l'écran.
L'appareil est branché, mais ne fonctionne pas.	L'appareil est éteint.	Allumez l'appareil.
	Le disjoncteur s'est déclenché.	Redémarrez le coupe-circuit. Si le coupe-circuit continue de disjoncter, contactez un agent de service agréé ou Hatco pour obtenir une assistance.
	Le régulateur de température numérique ne fonctionne pas correctement.	Contactez votre agent de maintenance agréé ou Hatco pour toute demande d'assistance.
	Le groupe compresseur-condenseur surchauffe.	
	Une panne interne est survenue dans le groupe compresseur-condenseur.	

Vous avez des questions en ce qui concerne les pannes?

Si le problème persiste, veuillez contacter l'agence d'entretien agréée Hatco la plus proche ou Hatco pour obtenir une assistance. Pour trouver l'agence d'entretien la plus proche, rendez-vous sur le site Internet de Hatco (www.hatcocorp.com) et sélectionnez le menu déroulant *Support (Assistance)*, puis cliquez sur « Find A Service Agent » (trouver un agent d'entretien); ou contactez l'équipe d'entretien et de pièces détachées de Hatco :

Numéro de téléphone: +1-414-671-6350

Courriel: support@hatcocorp.com

GARANTIE, RECOURS EXCLUSIF :

Hatco Corporation (le Vendeur) garantit que les produits qu'elle fabrique (les Produits) seront exempts de défauts de matériaux et de fabrication dans des conditions d'utilisation et de service normales et lorsqu'ils sont stockés, entretenus et installés en stricte conformité avec les recommandations de l'usine. La seule obligation du vendeur envers la personne ou l'entité qui achète les Produits directement auprès du Vendeur (le Client) dans le cadre de cette garantie est la réparation ou le remplacement par le Vendeur ou un organisme de service autorisé par le Vendeur, à la discrétion du Vendeur, de tout Produit ou de toute pièce de celui-ci jugés défectueux par le Vendeur après examen, pendant : (i) la Durée de la garantie à compter de la date d'expédition par le Vendeur ou (ii) la Durée de la garantie à compter de la date d'enregistrement du Produit conformément aux instructions écrites du Vendeur ; la durée la plus longue s'appliquant. La « Durée de la garantie » désigne les périodes spécifiques énoncées ci-dessous pour des composants spécifiques du Produit ou, si ceux-ci ne sont pas énoncés ci-dessous, une période de dix-huit (18) mois. Le crédit pour les Produits ou les pièces retournés avec l'autorisation écrite préalable du Vendeur sera soumis aux conditions indiquées sur le formulaire d'autorisation de retour de matériel du Vendeur. AUCUN CRÉDIT NE SERA ACCORDÉ POUR LES PRODUITS OU LES PIÈCES RETOURNÉS SANS AUTORISATION ÉCRITE PRÉALABLE DU VENDEUR. Les frais engagés par le Client pour retourner, remplacer ou retirer les Produits ne seront pas remboursés par le Vendeur. Si le défaut est couvert par la garantie limitée, les Produits seront réparés ou remplacés et retournés au Client, et les frais de retour seront payés par le Vendeur. La réparation ou le remplacement prévus dans les présentes est le recours exclusif du client. Toute utilisation inappropriée, modification, réparation, altération, mauvaise application, installation incorrecte, application d'une tension inappropriée, ou toute autre action ou inaction par le Client ou d'autres personnes (y compris l'utilisation de tout organisme de service non autorisé) qui, selon le seul jugement du Vendeur, affecte négativement le Produit annule cette garantie. La garantie expressément prévue dans les présentes ne peut être réclamée que par le Client et non par les clients du Client ou d'autres utilisateurs des Produits ; cependant, si le Client est un revendeur d'équipement autorisé par le Vendeur, le Client peut attribuer la garantie aux clients du Client, sous réserve de toutes les limitations des présentes Conditions, et dans ce cas, la garantie sera exclusivement contrôlée par le Vendeur conformément aux présentes Conditions. CETTE GARANTIE LIMITÉE EST EXCLUSIVE ET REMPLACE TOUTE AUTRE GARANTIE, EXPRESSE OU IMPLICITE, Y COMPRIS, MAIS SANS S'Y LIMITER, TOUTE GARANTIE IMPLICITE D'ABSENCE DE CONTREFAÇON, DE QUALITÉ MARCHANDE OU D'ADÉQUATION À UN USAGE PARTICULIER, QUI EST EXPRESSÉMENT DÉCLINÉE.

Garantie d'un (1) an pour les pièces et la main-d'œuvre, PLUS garantie d'un (1) an supplémentaire pour les pièces uniquement :

- Éléments du grille-pain à convoyeur (enveloppe métallique)
- Éléments des tiroirs chauffants (enveloppe métallique)
- Tiroirs, roues et glissières des tiroirs chauffants
- Éléments du réchaud (enveloppe métallique)
- Éléments de présentation du réchaud (enveloppe métallique, air chauffant)
- Éléments des armoires de stockage (enveloppe métallique, air chauffant)
- Éléments de puits chauffants — séries HW, HWB et HWBI (enveloppe métallique)

Garantie de deux (2) ans pour les pièces et la main-d'œuvre :

- Gammes à induction
- Réchauds à induction

Garantie de remplacement d'un (1) an :

- Grille-pain à éjection TPT

Garantie d'un (1) an pour les pièces et la main-d'œuvre, PLUS garantie de quatre (4) ans pour les pièces uniquement :

- Cuves 3CS et FR

Garantie d'un (1) an pour les pièces et la main-d'œuvre, PLUS garantie de neuf (9) ans pour les pièces uniquement :

- Cuves des appareils de chauffage d'appoint électriques
- Cuves des appareils de chauffage d'appoint à gaz

Garantie de quatre-vingt-dix (90) jours pour les pièces uniquement :

- Pièces de rechange

Nonobstant toute disposition contraire des présentes, la garantie limitée des présentes ne couvrira pas, à la seule discrétion du vendeur, les éléments suivants, mais sans s'y limiter : ampoules à incandescence enduites, éclairages fluorescents, ampoules de lampe chauffante, ampoules halogènes enduites, ampoules de lampe chauffante halogène, ampoules au xénon, tubes de lumière DEL, composants en verre et fusibles ; défaillance du Produit au niveau de la cuve d'appoint, de l'échangeur de chaleur à tubes à ailettes ou de tout autre équipement de chauffage de l'eau causée par la formation de calcaire, l'accumulation de sédiments, une attaque chimique ou le gel.

INSTRUCTIONS D'ENREGISTREMENT DE LA GARANTIE:

L'enregistrement du produit doit être soumis dans les 90 jours à compter de la date d'expédition de notre usine pour bénéficier d'une couverture supplémentaire. L'enregistrement peut être soumis via le formulaire sur le site Web du Vendeur, via le formulaire accessible grâce au code QR sur le Produit (le cas échéant) ou en appelant le service client en fournissant les informations requises au : **+1 414 671 6350**.

CLAUSE LIMITATIVE DE RESPONSABILITÉ :

LE VENDEUR NE SERA PAS TENU RESPONSABLE DES DOMMAGES INDIRECTS, ACCESSOIRES, CONSÉCUTIFS, PUNITIFS, EXEMPLAIRES OU DÉTERMINÉS, Y COMPRIS, MAIS SANS S'Y LIMITER, LES MANQUES À GAGNER, LES COÛTS DES PRODUITS DE SUBSTITUTION OU LES FRAIS DE MAIN-D'ŒUVRE RÉSULTANT DE LA VENTE, DE L'UTILISATION OU DE L'INSTALLATION DES PRODUITS, QUE LES PRODUITS SOIENT INCORPORÉS DANS D'AUTRES PRODUITS OU EN DEVIENNENT DES COMPOSANTS, OU DE TOUTE AUTRE CAUSE QUE CE SOIT, FONDÉE SUR UNE GARANTIE (EXPRESSE OU IMPLICITE) OU AUTREMENT FONDÉE SUR UN CONTRAT, UN TORT OU TOUTE AUTRE THÉORIE DE RESPONSABILITÉ, ET INDÉPENDAMMENT DE TOUT CONSEIL OU REPRÉSENTATION QUI AURAIENT PU ÊTRE DONNÉS PAR LE VENDEUR CONCERNANT LA VENTE, L'UTILISATION OU L'INSTALLATION DES PRODUITS, MÊME SI LE VENDEUR EST CONSCIENT DE LA POSSIBILITÉ DE TELS DOMMAGES. EN AUCUN CAS, LA RESPONSABILITÉ GÉNÉRALE DU VENDEUR DÉCOULANT DE CE CONTRAT OU LIÉE À CELUI-CI NE DÉPASSERA LES MONTANTS TOTAUX PAYÉS AU VENDEUR PAR LE CLIENT POUR LES PRODUITS DANS LA PÉRIODE DE TROIS (3) MOIS PRÉCÉDANT IMMÉDIATEMENT L'ÉVÉNEMENT DONNANT LIEU À UNE RÉCLAMATION DU CLIENT. LES LIMITATIONS ÉNONCÉES DANS LES PRÉSENTES CONCERNANT LA RESPONSABILITÉ DU VENDEUR SONT VALABLES ET EXÉCUTOIRES NONOBTANT UN MANQUEMENT À L'OBJECTIF PRINCIPAL DU RECOURS LIMITÉ SPÉCIFIÉ DANS CES CONDITIONS.

Le vendeur se réserve le droit de mettre à jour ces conditions à tout moment, à sa seule discrétion, qui deviennent obligatoires à la date de publication. Pour la version la plus récente de nos conditions de vente complètes, consultez notre site Web à l'adresse : <https://www.hatcocorp.com/terms-of-sale>

AUTHORIZED PARTS DISTRIBUTORS • DISTRIBUTEURS DE PIÈCES AUTORISÉS

ALABAMA

Jones McLeod Appl. Svc.
Birmingham 205-251-0159

ARIZONA

Tech 24
Phoenix 602-234-2443

Byassee Equipment Co.
Phoenix 602-252-0402

CALIFORNIA

Industrial Electric
Commercial Parts & Service, Inc.
Huntington Beach 714-379-7100

Chapman Appl. Service
San Diego 619-298-7106

P & D Appliance
Commercial Parts & Service, Inc.
S. San Francisco 650-635-1900

COLORADO

Hawkins Commercial Appliance
Englewood 303-781-5548

FLORIDA

Whaley Foodservice Repair
Jacksonville 904-725-7800

Whaley Foodservice Repair
Orlando 407-757-0851

B.G.S.I./Heritage
Pompano Beach 954-971-0456

Comm. Appliance Service
Tampa 813-663-0313

GEORGIA

Heritage Service Group
Norcross 866-388-9837

HAWAII

Burney's Comm. Service, Inc.
Honolulu 808-848-1466

Food Equip Parts & Service
Honolulu 808-847-4871

ILLINOIS

Parts Town
Addison 708-865-7278

Eichenauer Elec. Service
Decatur 217-429-4229

Midwest Elec. Appl. Service
Elmhurst 630-279-8000

Cone's Repair Service
Moline 309-797-5323

IOWA

Goodwin Tucker Group
Des Moines 515-262-9308

KENTUCKY

Tech 24
Lexington 859-254-8854

Tech 24
Louisville 502-451-5411

LOUISIANA

Chandlers Parts & Service
Baton Rouge 225-272-6620

MARYLAND

Electric Motor Service
Baltimore 410-467-8080

MASSACHUSETTS

Ace Service Co. Inc.
Needham 781-449-4220

MICHIGAN

Bildons Appliance Service
Detroit 248-478-3320

Commercial Kitchen Service
Bay City 989-893-4561

Midwest Food Equip. Service
Grandville 616-261-2000

MISSOURI

General Parts
Kansas City 816-421-5400

Commercial Kitchen Services
St. Louis 314-890-0700

Kaemmerlen Parts & Service
St. Louis 314-535-2222

NEBRASKA

Anderson Electric
Omaha 402-341-1414

NEVADA

Burney's Commercial
Las Vegas 702-736-0006

Hi. Tech Commercial Service
N. Las Vegas 702-649-4616

NEW JERSEY

Jay Hill Repair
Fairfield 973-575-9145

Service Plus
Flanders 973-691-6300

NEW YORK

Alpro Service Co.
Maspeth 718-386-2515

Duffy's - AIS
Buffalo 716-884-7425

3Wire
Plattsburgh 800-634-5005

Duffy's - AIS
Sauquoit 800-836-1014

J.B. Brady, Inc.
Syracuse 315-422-9271

NORTH CAROLINA

Authorized Appliance
Charlotte 704-377-4501

OHIO

Akron/Canton Comm. Svc. Inc.
Akron 330-753-6634

Tech 24
Cincinnati 513-772-6600

Commercial Parts and Service
Columbus 614-221-0057

Electrical Appl. Repair Service
Brooklyn Heights 216-459-8700

E. A. Wichman Co.
Toledo 419-385-9121

OKLAHOMA

Hagar Rest. Service, Inc.
Oklahoma City 405-235-2184

OREGON

General Parts Group
Portland 503-624-0890

PENNSYLVANIA

Elmer Schultz Services
Philadelphia 215-627-5401

FAST Comm. Appl. Service
Philadelphia 215-288-4800

AIS Commercial Parts and Service
Pittsburgh 412-809-0244

K & D Service Co.
Harrisburg 717-236-9039

Electric Repair Co.
Reading 610-376-5444

RHODE ISLAND

Marshall Electric Co.
Providence 401-331-1163

SOUTH CAROLINA

Whaley Foodservice Repair
Lexington 803-996-9900

TENNESSEE

Camp Electric
Memphis 901-527-7543

TEXAS

Armstrong Repair Service
Houston 713-666-7100

Cooking Equipment Specialist
Mesquite 972-686-6666

Commercial Kitchen Repair Co.
San Antonio 210-735-2811

UTAH

La Monica's Rest. Equip. Service
Murray 801-263-3221

VIRGINIA

Daubers
Norfolk 757-855-4097

Daubers
Springfield 703-866-3600

WASHINGTON

3Wire
Seattle 800-207-3146

WISCONSIN

A.S.C., Inc.
Madison 608-246-3160

A.S.C., Inc.
Milwaukee 414-543-6460

CANADA

ALBERTA

Key Food Equipment Service
Edmonton 780-438-1690

BRITISH COLUMBIA

Key Food Equipment Service
Vancouver 604-433-4484

Key Food Equipment Service
Victoria 250-920-4888

MANITOBA

Air Rite, Inc.
Winnipeg 204-895-2300

NEW BRUNSWICK

EMR Services, Ltd.
Moncton 506-855-4228

ONTARIO

R.G. Henderson Ltd.
Toronto 416-422-5580

Choquette - CKS, Inc.
Ottawa 613-739-8458

QUÉBEC

Choquette - CKS, Inc.
Montreal 514-722-2000

Choquette - CKS, Inc.
Québec City 418-681-3944

UNITED KINGDOM

Marren Group
Northants +44(0)1933 665313

HATCO CORPORATION

P.O. Box 340500

Milwaukee, WI 53234-0500 U.S.A.

414-671-6350

support@hatcocorp.com

www.hatcocorp.com

Register your unit online!

See IMPORTANT OWNER INFORMATION
section for details.

Enregistrez votre appareil en ligne !

Lisez la section INFORMATIONS IMPORTANTES POUR
LE PROPRIÉTAIRE pour plus d'informations.