



Register Online!
(see page 2)

S'inscrire en ligne!
(voir page 12)



Flav-R-Savor®

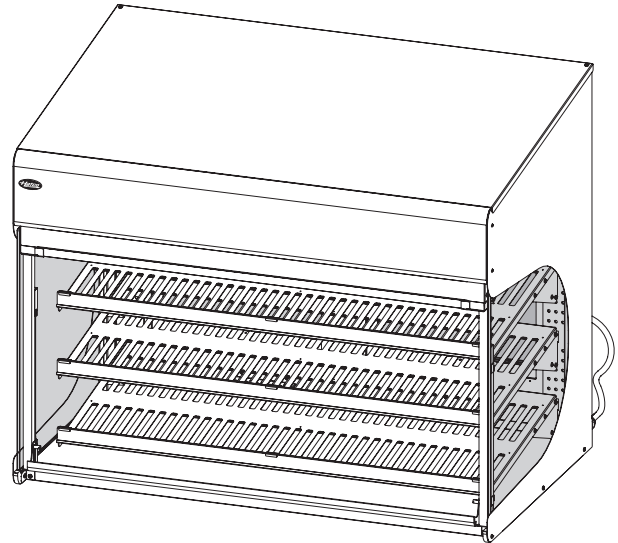
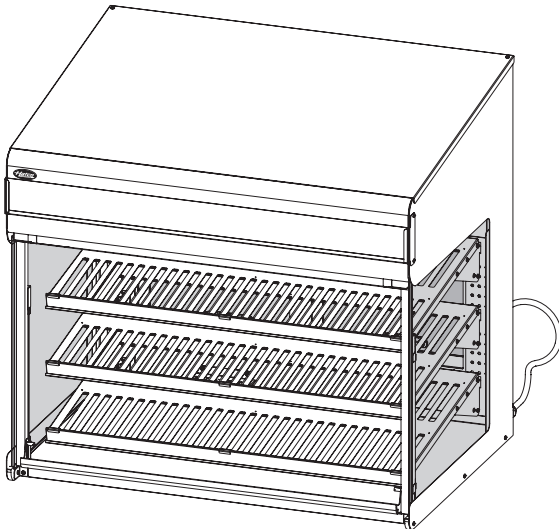
Heated Air Curtain Cabinet

Armoire à rideau d'air chaud

FS3HAC Series/Série

Installation and Operating Manual

Manuel d'installation et d'utilisation



⚠ WARNING

Do not operate this equipment unless you have read and understood the contents of this manual! Failure to follow the instructions contained in this manual may result in serious injury or death. This manual contains important safety information concerning the maintenance, use, and operation of this product. If you're unable to understand the contents of this manual, please bring it to the attention of your supervisor. Keep this manual in a safe location for future reference.

English = p 2

⚠ ADVERTENCIA

No opere este equipo al menos que haya leído y comprendido el contenido de este manual! Cualquier falla en el seguimiento de las instrucciones contenidas en este manual puede resultar en un serio lesión o muerte. Este manual contiene importante información sobre seguridad concerniente al mantenimiento, uso y operación de este producto. Si usted no puede entender el contenido de este manual por favor pregunte a su supervisor. Almacenar este manual en una localización segura para la referencia futura.

⚠ AVERTISSEMENT

Ne pas utiliser cet équipement sans avoir lu et compris le contenu de ce manuel ! Le non-respect des instructions contenues dans ce manuel peut entraîner de graves blessures ou la mort. Ce manuel contient des informations importantes concernant l'entretien, l'utilisation et le fonctionnement de ce produit. Si vous ne comprenez pas le contenu de ce manuel, veuillez le signaler à votre supérieur. Conservez ce manuel dans un endroit sûr pour pouvoir vous y référer plus tard.

Français = p 12

Important Owner Information	2	Operation	7
Introduction	2	General.....	7
Important Safety Information	3	Changing the Setpoint Temperature.....	7
Model Description	4	Changing Fahrenheit and Celsius Setting.....	7
Model Designation	4	Maintenance	8
Specifications	5	General.....	8
Plug Configurations.....	5	Daily Cleaning.....	8
Electrical Rating Chart.....	5	Adjusting the Shelves.....	9
Dimensions.....	5	Troubleshooting Guide	10
Installation	6	Options and Accessories	10
General.....	6	Limited Warranty	11
		Authorized Parts Distributors	Back Cover

IMPORTANT OWNER INFORMATION

Record the model number, serial number, voltage, and purchase date of the unit in the spaces below (specification label located on the lower back of the unit). Please have this information available when calling Hatco for service assistance.

Model No. _____

Serial No. _____

Voltage _____

Date of Purchase _____

Business Hours: 7:00 AM to 5:00 PM Monday–Friday, Central Time (CT)
 (Summer Hours — June to September:
 7:00 AM to 5:00 PM Monday–Thursday
 7:00 AM to 4:00 PM Friday)

Telephone: 800-558-0607; 414-671-6350

E-mail: support@hatcocorp.com



24 Hour 7 Day Parts and Service Assistance available in the United States and Canada by calling 800-558-0607.

Register your unit!

Completing online warranty registration will prevent delay in obtaining warranty coverage. Access the Hatco website at www.hatcocorp.com, select the Support pull-down menu, and click on "Warranty".

Additional information can be found by visiting our web site at www.hatcocorp.com.

INTRODUCTION

The patented Hatco Flav-R-Savor® Heated Air Curtain Cabinets are designed to hold prepared foods for prolonged periods of time while maintaining that "just-made" quality. Warm air is forced downward through ducts in front of the cabinet opening, creating and maintaining ideal holding temperatures without the use of doors. The heated air is slowly drawn to the rear of the cabinet, warming the food as it flows to the perforations on the rear cabinet wall. The Heated Air Curtain cabinet allows for immediate access to food products and provides the best environment for wrapped or unwrapped food product.

Hatco Flav-R-Savor Heated Air Curtain Cabinets are products of extensive research and field testing. The materials used were selected for maximum durability, attractive appearance, and optimum performance. Every unit is inspected and tested thoroughly prior to shipment.

This manual provides the installation, safety, and operating instructions for Flav-R-Savor Heated Air Curtain Cabinets. Hatco recommends all installation, operating, and safety instructions appearing in this manual be read prior to installation or operation of a unit.

Safety information that appears in this manual is identified by the following signal word panels:



WARNING indicates a hazardous situation which, if not avoided, could result in death or serious injury.



CAUTION indicates a hazardous situation which, if not avoided, could result in minor or moderate injury.



NOTICE is used to address practices not related to personal injury.



Read the following important safety information before using this equipment to avoid serious injury or death and to avoid damage to equipment or property.

WARNING

ELECTRIC SHOCK HAZARD:

- Plug unit into a properly grounded electrical receptacle of the correct voltage, size, and plug configuration. If plug and receptacle do not match, contact a qualified electrician to determine and install proper voltage and size electrical receptacle.
- Turn OFF power switch, allow unit to cool, and unplug power cord before performing any cleaning, adjustments, or maintenance.
- DO NOT submerge or saturate with water. Unit is not waterproof. Do not operate if unit has been submerged or saturated with water.
- Unit is not weatherproof. Locate unit indoors where ambient air temperature is a minimum of 70°F (21°C) and a maximum of 113°F (45°C)
- This unit is not “jet-proof” construction. Do not use jet-clean spray to clean this unit.
- Do not steam clean or use excessive water on unit.
- Do not pull unit by power cord.
- Discontinue use if power cord is frayed or worn.
- Do not attempt to repair or replace a damaged power cord. Cord must be replaced by Hatco, an Authorized Hatco Service Agent, or a person with similar qualifications.
- This unit must be serviced by qualified personnel only. Service by unqualified personnel may lead to electric **shock** or burn.
- Use only Genuine Hatco Replacement Parts when service is required. Failure to use Genuine Hatco Replacement Parts will void all warranties and may subject operators of the equipment to hazardous electrical voltage, resulting in electrical **shock** or burn. Genuine Hatco Replacement Parts are specified to operate safely in the environments in which they are used. Some aftermarket or generic replacement parts do not have the characteristics that will allow them to operate safely in Hatco equipment.

FIRE HAZARD:

- Locate unit a minimum of 1” (25 mm) from combustible walls and materials. If safe distances are not maintained, discoloration or combustion could occur.
- Do not place anything on top of unit.

WARNING

Make sure food product has been heated to the proper food-safe temperature before placing in unit. Failure to heat food product properly may result in serious health risks. This unit is for holding pre-heated food product only.

Hatco Corporation is not responsible for actual food product serving temperature. It is the responsibility of the user to ensure that food product is held and served at a safe temperature.

This unit is not intended for use by children or persons with reduced physical, sensory, or mental capabilities. Ensure proper supervision of children and keep them away from the unit.

Make sure all operators have been instructed on the safe and proper use of the unit.

This unit has no “user-serviceable” parts. If service is required on this unit, contact an Authorized Hatco Service Agent or contact the Hatco Service Department at 800-558-0607 or 414-671-6350.

CAUTION

BURN HAZARD: Some exterior surfaces on the unit will get hot. Use caution when touching these areas.

Locate unit at proper counter height in an area that is convenient for use. Location should be level to prevent unit or its contents from falling accidentally and strong enough to support the weight of the unit and contents.

The National Sanitation Foundation (NSF) requires that units over 36” (914 mm) in width or weighing more than 80 lbs. (36 kg) either be sealed to or raised above the installation surface.

NOTICE

Use non-abrasive cleaners and cloths only. Abrasive cleaners and cloths could scratch finish of unit, marring its appearance and making it susceptible to soil accumulation.

Do not lay unit on the side with the control panel. Damage to unit could occur.

Do not locate unit in area with excessive air movement around unit. Avoid areas that may be subject to active air movements or currents (i.e., near exhaust fans/hoods, air conditioning ducts, and exterior doors).

MODEL DESCRIPTION

All Models

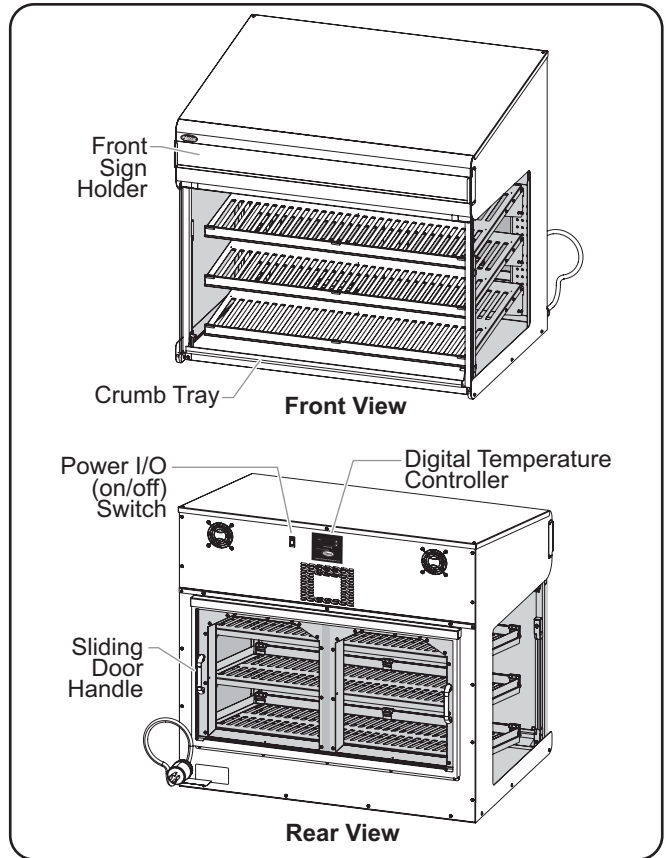
Flav-R-Savor® Heated Air Curtain Cabinets consist of an easy-to-clean stainless steel base and inner chamber. The inside of the chamber and the external surfaces are powdercoated black. Features include a digital temperature controller, a lighted Power I/O (on/off) switch, a crumb tray, removable shelves, metal-sheathed heating elements, LED lighting, and a 6' (1829 mm) power cord with plug. The temperature control range for model [FS3HAC-2426](#) is 70°–170°F (21°–77°C). The temperature control range for models [FS3HAC-3026](#), [FS3HAC-3626](#), and [FS3HAC-4226](#) is 70°–175°F (21°–79°C).

FS3HAC-2426 and FS3HAC-3026 Models

[FS3HAC-2426](#) and [FS3HAC-3026](#) models have left-hinged rear doors.

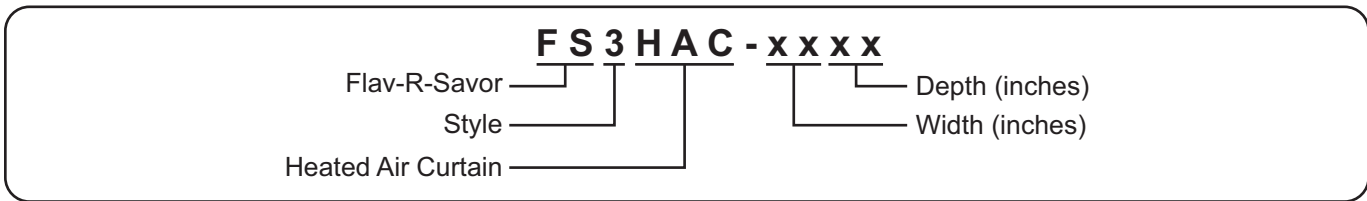
FS3HAC-3626 and FS3HAC-4226 Models

[FS3HAC-3626](#) and [FS3HAC-4226](#) models have sliding rear doors.



Model [FS3HAC-3626](#)

MODEL DESIGNATION



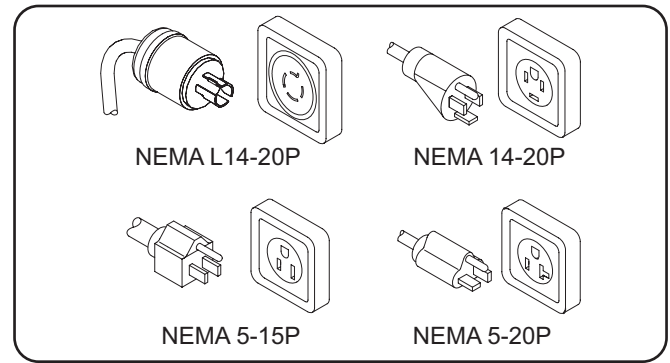
Plug Configurations

Units are supplied from the factory with an electrical cord and plug installed.



ELECTRIC SHOCK HAZARD: Plug unit into a properly grounded electrical receptacle of the correct voltage, size, and plug configuration. If plug and receptacle do not match, contact a qualified electrician to determine and install proper voltage and size electrical receptacle.

NOTE: Specification label located on the lower back of the unit. See label for serial number and verification of unit electrical information.



Plug Configuration.

NOTE: Receptacle not supplied by Hatco.

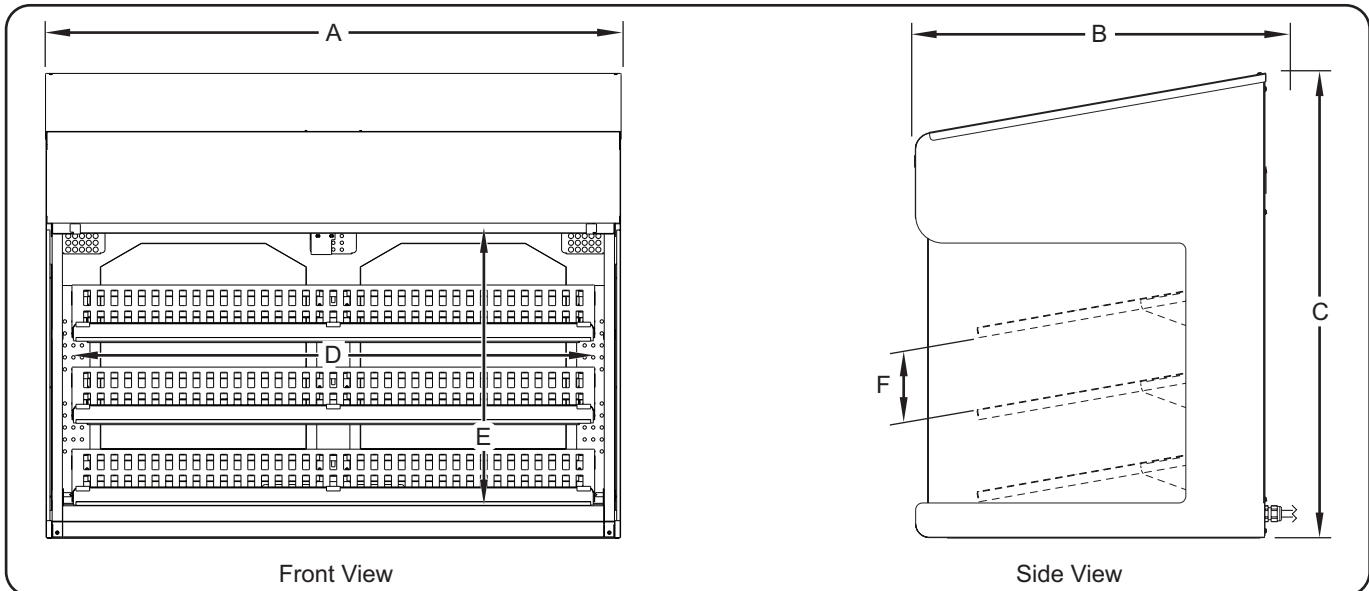
Electrical Rating Chart

Model	Voltage	Watts	Amps	Plug Configuration	Shipping Weight
FS3HAC-2426	120	1800	15.0	NEMA 5-15P, NEMA 5-20P	80 lbs. (36 kg)
FS3HAC-3026	120/208-240	3340	13.8	NEMA L14-20P, NEMA 14-20P	95 lbs. (43 kg)
FS3HAC-3626	120/208-240	3340	13.8	NEMA L14-20P, NEMA 14-20P	119 lbs. (54 kg)
FS3HAC-4226	120/208-240	3430	14.3	NEMA L14-20P, NEMA 14-20P	149 lbs. (68 kg)

NOTE: Shipping weights shown are estimates.

Dimensions

Model	Width (A)	Depth (B)	Height (C)	Shelf Width (D)	Chamber Height (E)	Shelf Space Height (F)
FS3HAC-2426	24" (610 mm)	27-1/4" (693 mm)	34" (863 mm)	32-1/8" (816 mm)	22" (559 mm)	5-1/8" (131 mm)
FS3HAC-3026	36" (762 mm)	27-1/4" (693 mm)	34" (863 mm)	32-1/8" (816 mm)	22" (559 mm)	5-1/8" (131 mm)
FS3HAC-3626	36" (914 mm)	27-1/4" (693 mm)	34" (863 mm)	32-1/8" (816 mm)	22" (559 mm)	5-1/8" (131 mm)
FS3HAC-4226	42" (1067 mm)	27-1/4" (693 mm)	34" (863 mm)	38" (965 mm)	22" (559 mm)	5-1/8" (131 mm)



General

Flav-R-Savor® Heated Air Curtain Cabinets are shipped with most components installed and ready for operation. The following installation instructions must be performed before connecting electricity and operating the cabinet.

⚠ WARNING

ELECTRIC SHOCK HAZARD: Unit is not weatherproof. Locate unit indoors where ambient air temperature is a minimum of 70°F (21°C).

FIRE HAZARD:

- Locate unit a minimum of 1" (25 mm) from combustible walls and materials. If safe distances are not maintained, discoloration or combustion could occur.
- Do not place anything on top of unit.

⚠ CAUTION

Locate unit at proper counter height in an area that is convenient for use. Location should be level to prevent unit or its contents from falling accidentally and strong enough to support the weight of the unit and contents.

The National Sanitation Foundation (NSF) requires that units over 36" (914 mm) in width or weighing more than 80 lbs. (36 kg) either be sealed to or raised above the installation surface.

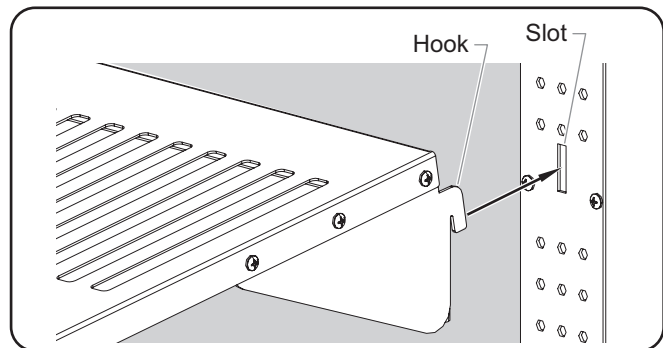
NOTICE

Do not locate unit in area with excessive air movement around unit. Avoid areas that may be subject to active air movements or currents (i.e., near exhaust fans/hoods, air conditioning ducts, and exterior doors).

1. Remove the unit from the carton. Two or more people are required for this step.

NOTE: To prevent delay in obtaining warranty coverage, complete online warranty registration. See the IMPORTANT OWNER INFORMATION section for details.

2. Remove tape and protective film from all surfaces of unit.
3. Place the unit in the desired location.
 - Locate the unit in an area where the ambient air temperature is constant and a minimum of 70°F (21°C). Avoid areas that may be subject to active air movements or currents (i.e., near exhaust fans/hoods, air conditioning ducts, and exterior doors).
 - Make sure the unit is at the proper counter height in an area convenient for use.
 - Make sure the countertop is level and strong enough to support the weight of the unit and food product.
4. Seal the unit to the countertop using an NSF-approved sealant for installation without legs.
5. Install the shelves.
 - Install the shelves by inserting the hook into the slot.



Installing the Shelves

6. Install any options and/or accessories. Refer to the OPTIONS AND ACCESSORIES section for installation information.
7. Plug the unit into a properly grounded electrical receptacle of the correct voltage, size, and plug configuration. See the SPECIFICATIONS section for details.

General

Use the following procedures to turn on and shut down a Heated Air Curtain Cabinet.



WARNING

Read all safety messages in the **IMPORTANT SAFETY INFORMATION** section before operating this equipment.

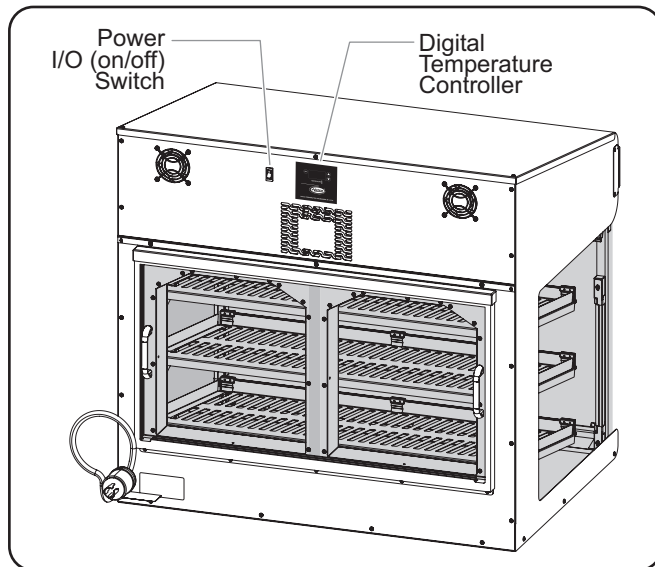
Startup

1. Make sure the unit is plugged into a properly grounded electrical receptacle of the correct voltage, size and plug configuration. Refer to the SPECIFICATIONS section for details.
2. Move the Power I/O (on/off) switch to the I (on) position.
 - The heating elements and blowers will energize.
 - The digital temperature controller will energize and the current temperature of the cabinet or "LO" will appear on the display. "LO" indicates the cabinet temperature is below 70°F (21°C).



CAUTION

BURN HAZARD: Some exterior surfaces on the unit will get hot. Use caution when touching these areas.



Controls

3. On the digital temperature controller, press the **SET** key two times to view the setpoint temperature of the cabinet.
 - The setpoint temperature will be shown for 10 seconds. After 10 seconds, the display will revert to the current temperature of the unit. To change the setpoint temperature, refer to "Changing the Setpoint Temperature" in this section.

NOTE: The digital temperature controller is factory pre-set to a setpoint temperature of 165°F (74°C). Once the setpoint temperature is changed, the new setpoint temperature will remain in memory until it is changed again. The maximum setpoint temperature is 175°F (79°C)

4. Allow the unit 60 minutes to reach operating temperature before placing preheated food product into the unit.



Digital Temperature Controller

Shutdown

1. Move the Power I/O (on/off) Switch to the **O** (off) position and allow the unit to cool.
2. Perform the "Daily Cleaning" procedure in the MAINTENANCE section of this manual.

Changing the Setpoint Temperature

Use the following procedure to change the setpoint temperature on the digital temperature controller.

1. Press the **SET** key two times. The current setpoint temperature will be shown on the display.
2. Press the **▲** key or **▼** key within 10 seconds to change the setpoint temperature. Pressing and holding the **▲** key or **▼** key will scroll through the setpoints faster. If no key is pressed within 10 seconds, the display will revert to the current temperature of the unit.
3. Press the **SET** key to lock in the new setpoint temperature. After 10 seconds, the display will revert to the current temperature of the unit.

Changing Fahrenheit and Celsius Setting

Use the following procedure to change between Fahrenheit and Celsius on the display.

1. Press the **SET** key once. Either an "F" for Fahrenheit or "C" for Celsius will be displayed.
2. Press the **▲** key or **▼** key within 10 seconds to change between "F" (Fahrenheit) or "C" (Celsius).
3. Press the **SET** key to lock in the new setting. After 10 seconds, the display will revert to the current temperature of the unit.

General

Hatco Flav-R-Savor® Heated Air Curtain Cabinets are designed for maximum durability and performance, with minimum maintenance.



ELECTRIC SHOCK HAZARD:

- Turn OFF power switch, allow unit to cool, and unplug power cord before performing any cleaning, adjustments, or maintenance.
- DO NOT submerge or saturate with water. Unit is not waterproof. Do not operate if unit has been submerged or saturated with water.
- This unit is not “jet-proof” construction. Do not use jet-clean spray to clean this unit.
- Do not steam clean or use excessive water on unit.
- Use only Genuine Hatco Replacement Parts when service is required. Failure to use Genuine Hatco Replacement Parts will void all warranties and may subject operators of the equipment to hazardous electrical voltage, resulting in electrical shock or burn. Genuine Hatco Replacement Parts are specified to operate safely in the environments in which they are used. Some aftermarket or generic replacement parts do not have the characteristics that will allow them to operate safely in Hatco equipment.

This unit has no “user-serviceable” parts. If service is required on this unit, contact an Authorized Hatco Service Agent or contact the Hatco Service Department at 800-558-0607 or 414-671-6350.

Daily Cleaning

To preserve the bright finish of the cabinet, it is recommended that the exterior and interior surfaces be cleaned daily.

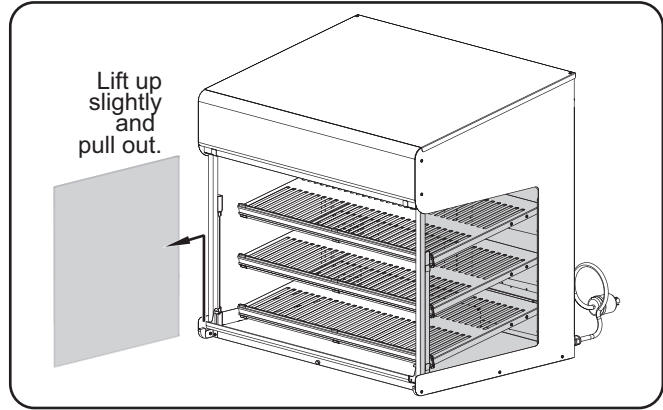


Use non-abrasive cleaners and cloths only. Abrasive cleaners and cloths could scratch finish of unit, marring its appearance and making it susceptible to soil accumulation.

NOTE: Cooling fans inside the unit will run for a short time after the unit is turned off. DO NOT unplug unit until fans shut off.

1. Move the Power I/O (on/off) switch to the O (off) position and allow the unit to cool.
2. After the cooling fans stop, unplug the power cord.
3. Remove and wash all food pans.

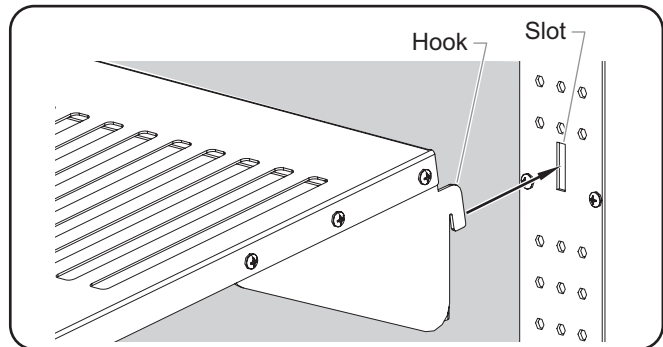
4. Remove and clean the glass side panels. Remove the side panels by lifting up slightly and pulling out.



Removing the Glass Side Panels

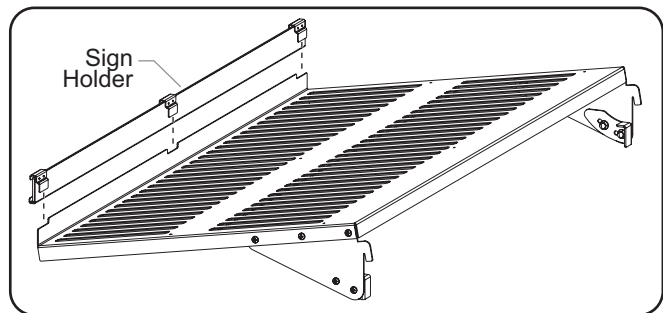
5. Remove and wash the shelves and sign holders.

- a. Remove the shelves by lifting up and pulling out.



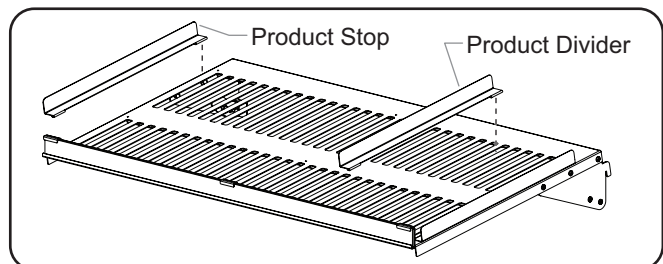
Removing the Shelves

- b. Remove the sign holders by lifting up and out of the slots on each shelf.



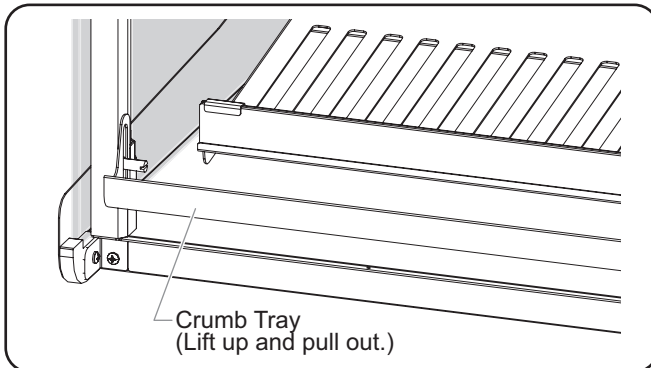
Removing the Sign Holders

- c. Remove the product stops/product dividers by unhooking each product stop/product divider from each shelf.



Product Stops and Product Dividers

6. Wipe the exterior and interior of the unit with a clean, non-abrasive cloth.
 - Hard to reach areas may be cleaned using a small brush and mild dish soap.
 - Stubborn stains may be removed with a good stainless steel cleaner or a non-abrasive cleaner.
7. Wipe all crumbs on the floor of the cabinet into the crumb tray along the front of the unit.
8. Tilt the crumb tray to remove crumbs. To tilt the crumb tray, lift the crumb tray up and angle away from unit.



Removing Crumbs from Crumb Tray

Adjusting the Shelves

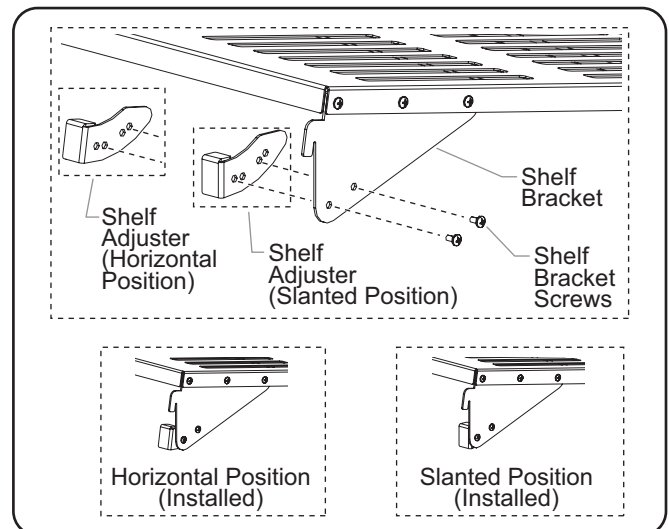
The shelves are shipped as slanted shelves, but can be transformed into horizontal shelves. Use the following procedure to adjust a slanted shelf to a horizontal shelf.

1. Move the Power I/O (on/off) switch to the **O** (off) position and allow the unit to cool.
2. After the cooling fans stop, unplug the power cord.
3. Remove the shelves. Remove the shelves by lifting up and pulling out.
4. Change the two shelf adjusters on each shelf to their horizontal position.

On each side of a shelf:

- a. Remove the shelf adjuster by unscrewing the two shelf bracket screws.
- b. Orient the shelf adjuster to the horizontal position.
- c. Re-attach the shelf adjuster to the shelf bracket by using the two shelf bracket screws.

5. Re-install each shelf by inserting the hook on the shelf bracket into the slot inside the unit.



Adjusting the Shelves



WARNING

This unit must be serviced by qualified personnel only. Service by unqualified personnel may lead to electric shock or burn.



WARNING

ELECTRIC SHOCK HAZARD: Turn OFF power switch, allow unit to cool, and unplug power cord before performing any cleaning, adjustments, or maintenance.

Symptom	Probable Cause	Corrective Action
Display lights not working.	Power turned off.	Move Power I/O (on/off) switch to the I (on) position.
	LED display lights or driver defective.	Contact Authorized Service Agent or Hatco for assistance.
Switch is on, but no heat or lights.	Unit not plugged in.	Plug unit into the proper power supply.
	Circuit breaker tripped.	Reset the circuit breaker.
	Defective component.	Contact Authorized Service Agent or Hatco for assistance.
Switch is on, but unit has no heat.	Setpoint temperature is too low.	Adjust setpoint temperature to the proper setting.
	Defective component.	Adjust the setpoint temperature to a lower setting. Refer to the procedure in the OPERATION section.
Switch is on, but unit does not maintain setpoint temperature.	Food not positioned properly inside cabinet and is blocking air curtain.	Place food completely onto shelf. Food must not be in front crumb tray or on floor of unit.
	Unit not allowed to reach setpoint temperature.	Allow unit 60 minutes to reach setpoint temperature.
	Crumb tray out of position.	Adjust crumb tray so that it's front edge is flat on floor of unit.
	Imbalanced/improper air flow in building.	Identify air flow sources and make necessary changes: <ul style="list-style-type: none"> • Move any portable fans. • Close all windows and doors. • Close drive-thru window. • Check ceiling vents and redirect, if necessary.
	Rear door is open.	Close door.
	Defective component.	Contact Authorized Service Agent or Hatco for assistance.

Troubleshooting Questions?

If you continue to have problems resolving an issue, please contact the nearest Authorized Hatco Service Agency or Hatco for assistance. To locate the nearest Service Agency, log onto the Hatco website at www.hatcocorp.com, select the *Support* pull-down menu, and click on "Find A Service Agent"; or contact the **Hatco Parts and Service Team** at:

Telephone: 800-558-0607 or 414-671-6350

e-mail: support@hatcocorp.com

OPTIONS AND ACCESSORIES

4" (102 mm) Adjustable Legs

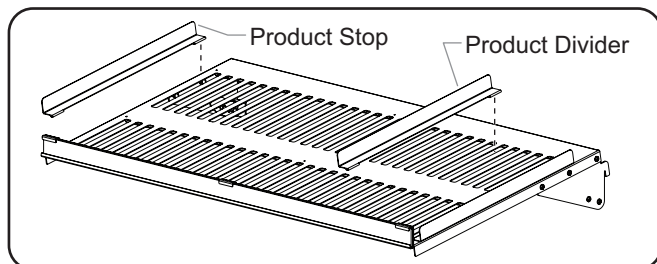
The 4" (102 mm) adjustable legs are available for all models [as](#) accessories and are used to add additional height to the unit.

Product Dividers

Product dividers keep the food product separated within individual channels on each shelf.

To install:

- Install the product dividers by hooking each product divider on each shelf.



Installing Product Stops and Product Dividers

Product Stops

Product stops contain the food product within each shelf and are available [as](#) factory installed options.

To install:

- Install the product stops by hooking each product stop on the ends of each shelf.

Front Sign Holders

Front sign holders are available [as](#) factory installed options.

Tiered Shelves

Tiered shelves are available for all models [as](#) factory installed options. Standard shelves have a 17" (432 mm) shelf depth. Tiered shelves have the following depths: top shelf is 12" (305 mm), middle shelf is 15" (381 mm), and bottom shelf is 18" (457 mm).

Flip-Up Doors

Flip-up doors are available [as](#) a factory installed option for **FS3HAC-3626** models only.

Right-Hinged Doors

Right-hinged doors are available as a factory installed option for FS3HAC-2426 and FS3HAC-3026 models only.

Side Control

A side-mounted digital temperature controller is available as a factory installed option.

LIMITED WARRANTY

WARRANTY, EXCLUSIVE REMEDY:

Hatco Corporation (Seller) warrants that the products it manufactures (Products) will be free from defects in materials and workmanship under normal use and service and when stored, maintained, and installed in strict accordance with factory recommendations. Seller's sole obligation to the person or entity buying the Products directly from Seller (Customer) under this warranty is the repair or replacement by Seller or a Seller-authorized service agency, at Seller's option, of any Product or any part thereof deemed defective upon Seller's examination, for a period of: (i) the Warranty Duration from the date of shipment by Seller or (ii) the Warranty Duration from the date of Product registration in accordance with Seller's written instructions, whichever is later. The "Warranty Duration" shall mean the specific periods set forth below for specific Product components, or, to the extent not listed below, eighteen (18) months. Credit for Products or parts returned with the prior written permission of Seller will be subject to the terms shown on Seller's material return authorization form. PRODUCTS OR PARTS RETURNED WITHOUT PRIOR WRITTEN PERMISSION OF SELLER WILL NOT BE ACCEPTED FOR CREDIT. Expenses incurred by Customer in returning, replacing, or removing the Products will not be reimbursed by Seller. If the defect comes under the terms of the limited warranty, the Products will be repaired or replaced and returned to the Customer and the cost of return freight will be paid by Seller. The remedy of repair or replacement provided for herein is Customer's exclusive remedy. Any improper use, alteration, repairs, tampering, misapplication, improper installation, application of improper voltage, or any other action or inaction by Customer or others (including the use of any unauthorized service agency) that in Seller's sole judgment adversely affects the Product shall void this warranty. The warranty expressly provided herein may only be asserted by Customer and may not be asserted by Customer's customers or other users of the Products; provided, however, that if Customer is an authorized equipment dealer of Seller, Customer may assign the warranty herein to Customer's customers, subject to all of the limitations of these Terms, and in such case, the warranty shall be exclusively controlled by Seller in accordance with these Terms. THIS LIMITED WARRANTY IS EXCLUSIVE AND IS IN LIEU OF ANY OTHER WARRANTY, EXPRESSED OR IMPLIED, INCLUDING BUT NOT LIMITED TO ANY IMPLIED WARRANTY OF NONINFRINGEMENT, MERCHANTABILITY, OR FITNESS FOR A PARTICULAR PURPOSE, WHICH ARE EXPRESSLY DISCLAIMED.

One (1) Year Parts and Labor PLUS One (1) Additional Year Parts-Only Warranty:

- Conveyor Toaster Elements (metal sheathed)
- Drawer Warmer Elements (metal sheathed)
- Drawer Warmer Drawer Rollers and Slides
- Food Warmer Elements (metal sheathed)
- Display Warmer Elements (metal sheathed air heating)
- Holding Cabinet Elements (metal sheathed air heating)
- Heated Well Elements — HW, HWB, and HWBI Series (metal sheathed)

Two (2) Year Parts and Labor Warranty:

- Induction Ranges
- Induction Warmers

One (1) Year Replacement Warranty:

- TPT Pop-Up Toasters

One (1) Year Parts and Labor PLUS Four (4) Years Parts-Only Warranty:

- 3CS and FR Tanks

One (1) Year Parts and Labor PLUS Nine (9) Years Parts-Only Warranty:

- Electric Booster Heater Tanks
- Gas Booster Heater Tanks

Ninety (90) Day Parts-Only Warranty:

- Replacement Parts

Notwithstanding anything herein to the contrary, the limited warranty herein will not cover components in Seller's sole discretion such as, but not limited to, the following: coated incandescent light bulbs, fluorescent lights, heat lamp bulbs, coated halogen light bulbs, halogen heat lamp bulbs, xenon light bulbs, LED light tubes, glass components, and fuses; Product failure in booster tank, fin tube heat exchanger, or other water heating equipment caused by liming, sediment buildup, chemical attack, or freezing.

WARRANTY REGISTRATION INSTRUCTIONS:

Product registration must be submitted within 90 days from the date of shipment from our factory to qualify for additional coverage. Registration may be submitted through the form on Seller's website, through the form accessible through the QR code on the Product (where available), or by calling Customer Service with the required information at: **800-558-0607** or **414-671-6350**.

LIMITATION OF LIABILITY:

SELLER WILL NOT BE LIABLE FOR ANY INDIRECT, INCIDENTAL, CONSEQUENTIAL, PUNITIVE, EXEMPLARY, OR SPECIAL DAMAGES, INCLUDING WITHOUT LIMITATION ANY LOST PROFITS, COSTS OF SUBSTITUTE PRODUCTS, OR LABOR COSTS ARISING FROM THE SALE, USE, OR INSTALLATION OF THE PRODUCTS, FROM THE PRODUCTS BEING INCORPORATED INTO OR BECOMING A COMPONENT OF ANOTHER PRODUCT, OR FROM ANY OTHER CAUSE WHATSOEVER, WHETHER BASED ON WARRANTY (EXPRESSED OR IMPLIED) OR OTHERWISE BASED ON CONTRACT, TORT, OR ANY OTHER THEORY OF LIABILITY, AND REGARDLESS OF ANY ADVICE OR REPRESENTATIONS THAT MAY HAVE BEEN RENDERED BY SELLER CONCERNING THE SALE, USE, OR INSTALLATION OF THE PRODUCTS, EVEN IF SELLER IS AWARE OF THE POSSIBILITY OF SUCH DAMAGES. IN NO EVENT WILL SELLER'S AGGREGATE LIABILITY ARISING OUT OF OR RELATED TO THIS AGREEMENT EXCEED THE TOTAL AMOUNTS PAID TO SELLER BY CUSTOMER FOR THE PRODUCTS WITHIN THE THREE (3) MONTH PERIOD IMMEDIATELY PRECEDING THE EVENT GIVING RISE TO CUSTOMER'S CLAIM. THE LIMITATIONS SET FORTH HEREIN REGARDING SELLER'S LIABILITY SHALL BE VALID AND ENFORCEABLE NOTWITHSTANDING A FAILURE OF ESSENTIAL PURPOSE OF THE LIMITED REMEDY SPECIFIED IN THESE TERMS.

Seller reserves the right to update these Terms at any time, at its sole discretion, which become binding upon the date of publishing. For the most current version of our full Terms of Sale, see our website at: <https://www.hatcocorp.com/terms-of-sale>

Informations Importantes pour le Propriétaire.....	12	Mode d'emploi	17
Introduction.....	12	Généralités	17
Consignes de Sécurité Importantes.....	13	Modification de la température de consigne	17
Description du Modèle.....	14	Alternance entre l'affichage Fahrenheit et Celsius.....	17
Désignation du Modèle.....	14	Maintenance	18
Caractéristiques Techniques	15	Généralités	18
Configuration des Fiches.....	15	Nettoyage quotidien.....	18
Tableau des valeurs nominales électriques	15	Ajustement des étagères.....	19
Dimensions.....	15	Guide de Dépannage	20
Installation	16	Options et accessoires	21
Généralités	16	Garantie Limitée	22
		Distributeurs de Pièces Autorisés.....	Couverture Arrière

INFORMATIONS IMPORTANTES POUR LE PROPRIÉTAIRE

Noter le numéro de modèle, le numéro de série (l'étiquette des caractéristiques du produit se situe sur la partie inférieure de l'appareil), le voltage et la date d'achat de votre appareil ci-dessous. Veuillez avoir cette information à portée de la main si vous appelez Hatco pour assistance.

Modèle No. _____

Numéro de série _____

Voltage _____

Date d'achat _____

Enregistrez votre appareil!

Remplissez la garantie en ligne pour éviter les retards pour faire jouer la garantie. Accédez au site Web Hatco : www.hatcocorp.com, sélectionnez le menu déroulant *Support (Assistance)*, puis cliquez sur « Warranty » (Garantie).

Horaires

ouvrables : 7h00 à 17h00 du lundi au vendredi
Heure du Centre (CT)
(Horaires d'été—juin à septembre:
7h00 à 17h00 du lundi au jeudi
7h00 à 16h00 le vendredi)

Téléphone: 800-558-0607; 414-671-6350

Courriel: support@hatcocorp.com



Service d'assistance et de pièces de rechange disponible 7j/7, 24h/24 aux États-Unis et au Canada en composant le 800-558-0607.

Des renseignements supplémentaires sont disponibles sur notre site Web à www.hatcocorp.com.

INTRODUCTION

Les armoires brevetées à rideau d'air chaud Flav-R-Savor® de Hatco sont conçues pour conserver au chaud des aliments préparés pendant de longues périodes tout en préservant la qualité d'un « produit frais ». L'air chaud est propulsé vers le bas à travers des conduits à l'avant de l'ouverture de l'armoire, permettant ainsi d'atteindre et de stabiliser des températures de maintien au chaud sans nécessiter de portes. L'air chaud est doucement soufflé vers le fond de l'armoire et réchauffe les aliments en circulant en direction des perforations sur la paroi arrière de l'armoire. L'armoire à rideau d'air chaud permet un accès immédiat aux produits alimentaires et crée un environnement idéal pour les aliments emballés ou sans emballage.

Rideau d'air chaud Flav-R-Savor de Hatco Cabinets are products of extensive research and field testing. Les matériaux utilisés ont été sélectionnés pour une longévité maximum, une présentation attrayante ainsi qu'une performance optimum. Chaque appareil est entièrement inspecté et testé avant livraison.

Ce manuel contient des instructions concernant l'installation, la sécurité et le fonctionnement de l'armoire à rideau d'air chaud Flav-R-Savor. Nous vous recommandons de lire toutes les instructions d'installation, de sécurité et de fonctionnement avant l'installation et la mise en marche de votre puits chauffants ronds.

Les consignes de sécurité qui apparaissent dans ce manuel sont identifiées par les mots indicateurs suivants :

AVERTISSEMENT

AVERTISSEMENT indique une situation dangereuse qui, si elle n'est pas évitée, peut provoquer la mort ou des blessures graves.

ATTENTION

ATTENTION indique une situation dangereuse qui, si elle n'est pas évitée, peut provoquer des blessures légères ou moyennes.

AVIS

AVIS est utilisé pour des questions sans rapport avec des blessures corporelles.



Lisez les consignes de sécurité importantes suivantes avant d'utiliser cet équipement pour éviter toute blessure grave ou la mort et pour éviter d'endommager l'équipement ou la propriété.

AVERTISSEMENT

DANGER DE DÉCHARGE ÉLECTRIQUE :

- Brancher l'appareil sur une prise de courant avec terre de tension, de format et de configuration des broches corrects. Si la fiche et la prise ne se correspondent pas, s'adresser à un électricien qualifié pour déterminer et installer une prise de courant de format et de tension corrects.
- Mettre hors tension en utilisant l'interrupteur, laisser l'unité refroidir, et débrancher le cordon d'alimentation avant d'effectuer tout nettoyage, tout réglage ou tout entretien.
- NE PAS immerger l'appareil ni le saturer d'eau. L'appareil n'est pas étanche à l'eau. Ne pas le faire fonctionner s'il a été immergé ou saturé d'eau.
- L'appareil n'est pas résistant aux intempéries. Placez l'appareil à l'intérieur d'un local dont la température ambiante se situe entre 21°C (70°F) et 45°C (113°F)
- Cet appareil n'est pas étanche aux jets. Ne pas utiliser de jet sous pression pour nettoyer l'appareil.
- Ne pas nettoyer à la vapeur ni utiliser trop d'eau sur l'appareil.
- Ne pas tirer l'appareil par son cordon électrique.
- Ne pas utiliser l'appareil si le cordon est endommagé ou usé.
- Ne pas tenter de réparer ni de changer un cordon électrique endommagé. Ce cordon doit être changé par Hatco, par un réparateur Hatco agréé ou par une personne de qualifications comparables.
- Cet appareil doit être entretenu uniquement par des personnes qualifiées. Un entretien réalisé par des personnes non qualifiées peut entraîner des décharges électriques ou provoquer des brûlures.
- Pour les réparations, utiliser exclusivement des pièces de rechange Hatco d'origine. Utilisez des pièces détachées Hatco authentiques sous peine d'annuler toutes les garanties et d'exposer l'utilisateur à des tensions électriques dangereuses pouvant entraîner une électrocution ou des brûlures. Les pièces de rechange Hatco d'origine sont conçues pour fonctionner sans danger dans les environnements dans lesquels elles sont utilisées. Certaines pièces de rechange génériques ou de second marché ne présentent pas les caractéristiques leur permettant de fonctionner sans danger dans la matériel Hatco.

DANGER D'INCENDIE :

- Placer l'appareil à un minimum de 25 mm des parois et matières combustibles. Si une distance sûre n'est pas maintenue, la chaleur peut provoquer une combustion ou une altération de couleur.
- Ne posez rien sur l'appareil.

AVERTISSEMENT

Assurez-vous que le produit alimentaire a été chauffé à une température adaptée à une alimentation saine avant de la placer dans l'appareil. Le non-chauffage des aliments à une température appropriée peut poser un grand risque pour la santé. Cet appareil n'est destiné qu'à maintenir des aliments préchauffés au chaud.

Hatco Corporation n'est pas responsable de la température réelle à laquelle les aliments sont servis. Il est de la responsabilité de l'utilisateur de s'assurer que les produits alimentaires sont maintenus et servis à une température sans danger.

Cet appareil ne doit pas être utilisé par des enfants ou des personnes avec des capacités physiques, sensorielles ou mentales diminuées. Assurez-vous que les enfants sont bien surveillés et tenez-les à l'écart de l'appareil.

Assurez-vous que tous les opérateurs ont été formés à l'utilisation sûre et correcte de l'appareil.

Cet appareil ne contient aucune pièce réparable par l'utilisateur. Si cet appareil doit être réparé, contacter un réparateur Hatco agréé ou le Service après-vente Hatco au 800-558-0607 ou 414-671-6350.

ATTENTION

DANGER DE BRÛLURE : Certaines surfaces extérieures de l'appareil deviennent chaudes. Toucher ces zones de l'appareil avec précaution.

Placer l'appareil sur un plan de travail de hauteur correcte à un endroit qui convient pour son utilisation. Le support doit être de niveau pour éviter toute chute accidentelle du grille-pain ou de son contenu et suffisamment solide pour résister au poids de l'appareil et de son contenu.

La National Sanitation Foundation (NSF) exige que les appareils d'une largeur supérieure à 914 mm (36") ou pesant plus de 36 kg (80 lb) soient fixés sur le plan de travail ou installés au-dessus de ce dernier.

AVIS

Utiliser seulement des nettoyants non abrasifs et des chiffons doux. Les chiffons et nettoyant abrasifs pourraient érafler la finition de l'unité, entachant son apparence et la rendant susceptible à l'accumulation de saleté.

Ne pas poser l'appareil sur le côté du panneau de commande sous peine de l'endommager.

N'installez pas l'appareil dans un endroit présentant des déplacements d'air excessifs. Évitez les zones pouvant être soumises à des déplacements d'air ou à des courants d'air actifs (proximité de ventilateurs d'extraction/de hottes d'aspiration, de conduites de climatisation et de portes extérieures).

Tous les modèles

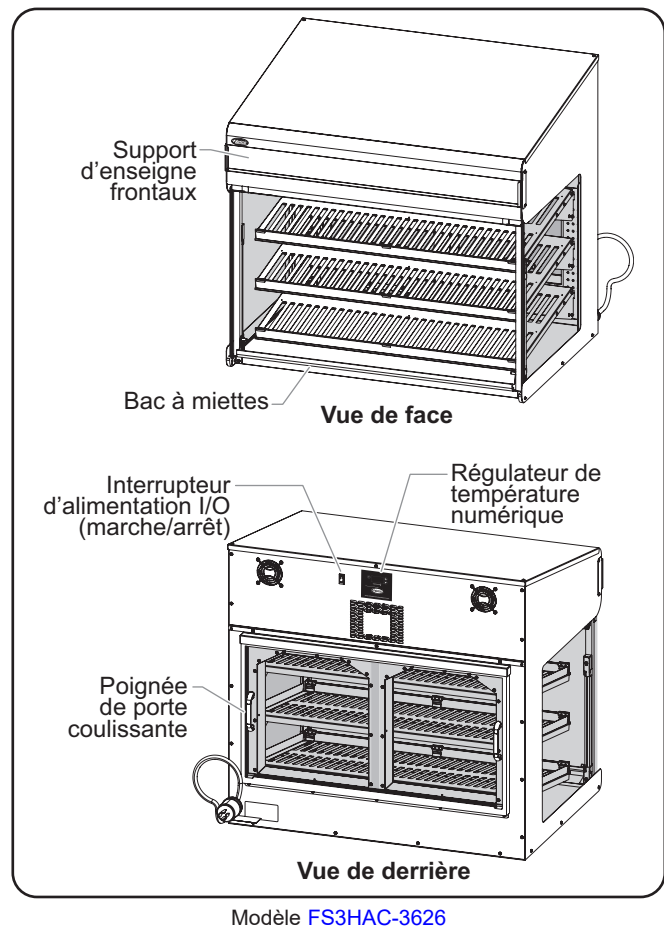
Flav-R-Savor® Les armoires à rideau d'air chaud se composent d'une base en acier inoxydable facile à nettoyer et d'une chambre intérieure. L'intérieur de la chambre et les surfaces extérieures ont un revêtement noir poudré. Les caractéristiques du modèle incluent un thermostat numérique, un interrupteur d'alimentation éclairé « I/O » (marche/arrêt), un bac à miettes, des étagères amovibles, des éléments métalliques chauffants, des lumières DEL et un cordon d'alimentation de 1 829 mm (6') doté d'une fiche. La plage du thermostat du modèle [FS3HAC-2426](#) est de 21 à 77°C (70 à 170°F). La plage du thermostat des modèles [FS3HAC-3026](#), [FS3HAC-3626](#) et [FS3HAC-4226](#) est de 21 à 79°C (70 à 175°F).

Modèles [FS3HAC-2426](#) et [FS3HAC-3026](#)

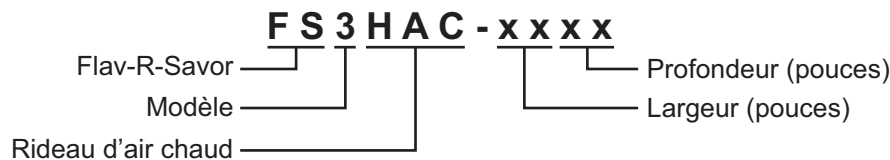
Les modèles [FS3HAC-2426](#) et [FS3HAC-3026](#) disposent d'une porte arrière à charnière gauche.

Modèles [FS3HAC-3626](#) et [FS3HAC-4226](#)

Les modèles [FS3HAC-3626](#) et [FS3HAC-4226](#) disposent de portes arrière coulissantes.



DÉSIGNATION DU MODÈLE



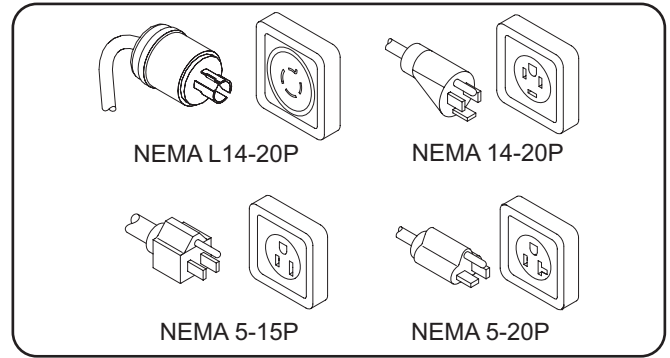
Configuration des fiches

Les appareils sont fournis par l'usine avec un cordon et une fiche électriques déjà installés.

AVERTISSEMENT

DANGER DE DÉCHARGE ÉLECTRIQUE : Brancher l'appareil sur une prise de courant avec terre de tension, de format et de configuration des broches corrects. Si la fiche et la prise ne se correspondent pas, s'adresser à un électricien qualifié pour déterminer et installer une prise de courant de format et de tension corrects.

NOTA: L'étiquette des caractéristiques du produit se situe sur la partie inférieure de l'appareil. Consultez l'étiquette pour connaître le numéro de série et vérifier les caractéristiques électriques de l'appareil.



Configuration des fiches

NOTA: La prise murale n'est pas fournie par Hatco.

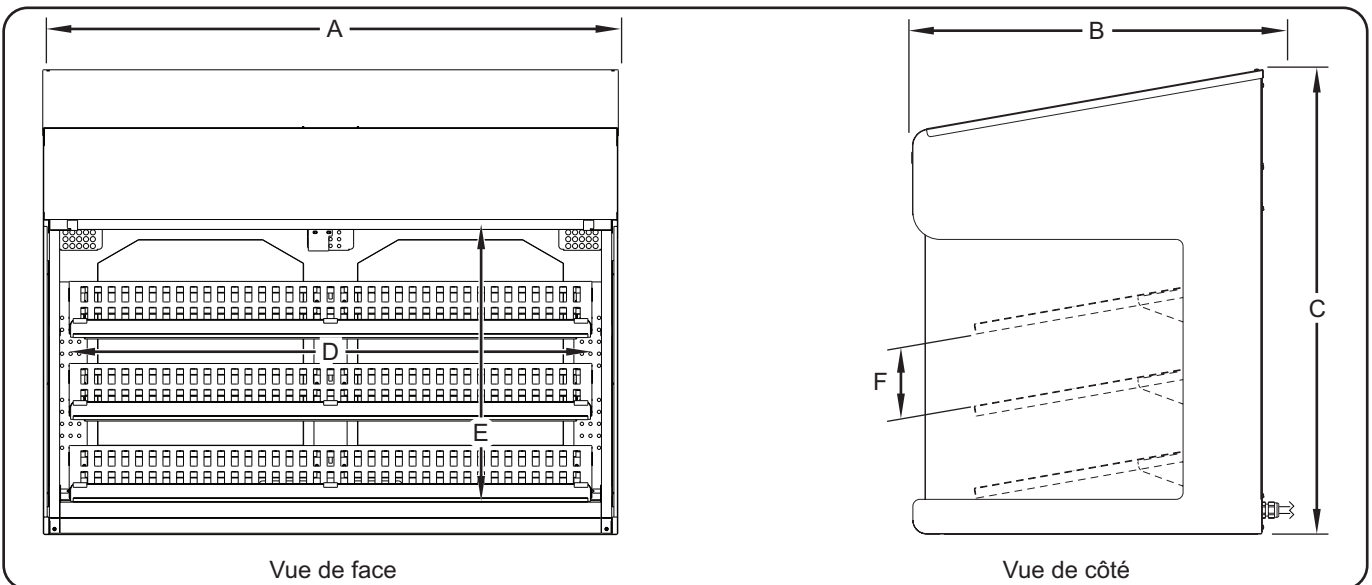
Tableau des valeurs nominales électriques

Modèle	Tension	Intensité	Amps	Configuration de Fiches	Poids d'embarquement
FS3HAC-2426	120	1800	15.0	NEMA 5-15P, NEMA 5-20P	36 kg (80 lbs.)
FS3HAC-3026	120/208-240	3340	13.8	NEMA L14-20P, NEMA 14-20P	43 kg (95 lbs.)
FS3HAC-3626	120/208-240	3340	13.8	NEMA L14-20P, NEMA 14-20P	54 kg (119 lbs.)
FS3HAC-4226	120/208-240	3430	14.3	NEMA L14-20P, NEMA 14-20P	68 kg (149 lbs.)

NOTA: Le poids des éléments expédiés figurant ci- est estimatif.

Dimensions

Modèle	Largeur (A)	Profondeur (B)	Hauteur (C)	Étagère Largeur(D)	Chambre Hauteur (E)	Espace sur l'étagère Hauteur (F)
FS3HAC-2426	610 mm (24")	693 mm (27-1/4")	863 mm (34")	816 mm (32-1/8")	559 mm (22")	131 mm (5-1/8")
FS3HAC-3026	762 mm (36")	693 mm (27-1/4")	863 mm (34")	816 mm (32-1/8")	559 mm (22")	131 mm (5-1/8")
FS3HAC-3626	914 mm (36")	693 mm (27-1/4")	863 mm (34")	816 mm (32-1/8")	559 mm (22")	131 mm (5-1/8")
FS3HAC-4226	1067 mm (42")	693 mm (27-1/4")	863 mm (34")	965 mm (38")	559 mm (22")	131 mm (5-1/8")



Généralités

Les armoires à rideau d'air chaud Flav-R-Savor® de Hatco sont expédiées avec la plupart des composants déjà installés et prêts à l'emploi. La procédure d'installation suivante doit être respectée avant de brancher l'électricité et d'utiliser l'appareil.

⚠ AVERTISSEMENT

DANGER DE DÉCHARGE ÉLECTRIQUE : L'appareil n'est pas résistant aux intempéries. Placez l'appareil à l'intérieur, dans une zone dont la température ambiante est de 21°C (70°F) minimum.

DANGER D'INCENDIE :

- Placer l'appareil à un minimum de 25 mm des parois et matières combustibles. Si une distance sûre n'est pas maintenue, la chaleur peut provoquer une combustion ou une altération de couleur.
- Ne posez rien sur l'appareil.

⚠ ATTENTION

Placez l'appareil sur un plan de travail dont la hauteur est appropriée, à un emplacement pratique à utiliser. L'emplacement doit être plan pour éviter que l'appareil ou son contenu ne tombent accidentellement, et suffisamment solide pour supporter le poids de l'appareil et de son contenu.

La National Sanitation Foundation (NSF) exige que les appareils d'une largeur supérieure à 914 mm (36") ou pesant plus de 36 kg (80 lb) soient fixés sur le plan de travail ou installés au-dessus de ce dernier.

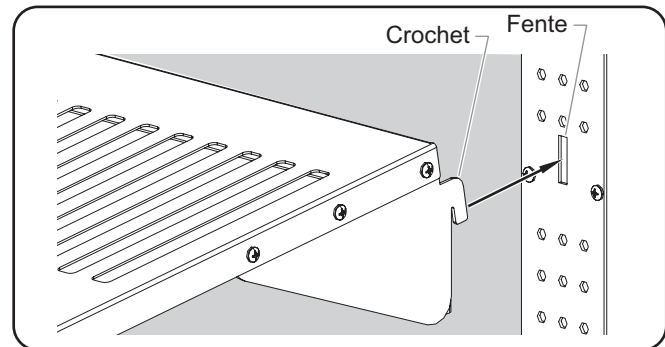
AVIS

N'installez pas l'appareil dans un endroit présentant des déplacements d'air excessifs. Évitez les zones pouvant être soumises à des déplacements d'air ou à des courants d'air actifs (proximité de ventilateurs d'extraction/de hottes d'aspiration, de conduites de climatisation et de portes extérieures).

1. Retirez l'appareil du carton. Cette procédure nécessite au moins deux personnes.

NOTA Pour éviter des retards dans l'obtention de la couverture de la garantie, veuillez remplir l'enregistrement en ligne de votre garantie. Veuillez lire la section INFORMATIONS IMPORTANTES POUR LE PROPRIÉTAIRE pour plus de détails.

2. Retirez le ruban et l'emballage de protection de toutes les surfaces de l'appareil.
3. Placez l'appareil à l'emplacement souhaité.
 - Placez l'appareil dans une zone dont la température ambiante est constante (21°C [70°F] minimum). Évitez les zones pouvant être soumises à des déplacements d'air ou à des courants d'air actifs (proximité de ventilateurs d'extraction/de hottes d'aspiration, de conduites de climatisation et de portes extérieures).
 - Assurez-vous que l'appareil est placé à une hauteur appropriée dans une zone facilitant son utilisation.
 - Veillez à ce que le plan de travail soit plat et suffisamment solide pour supporter le poids de l'appareil et des aliments.
4. Fixez l'appareil au plan de travail avec une pâte étanchéifiante approuvée NSF pour une installation sans pieds.
5. Installez les étagères.
 - Installez les étagères en insérant le crochet dans la fente.



Installation des étagères

6. Installez toutes les options ou tous les accessoires. Pour plus de détails sur l'installation, consultez le chapitre OPTIONS ET ACCESSOIRES.
7. Branchez l'appareil à une prise de courant reliée à la terre de voltage, de taille et de configuration de fiche corrects. Consultez les CARACTÉRISTIQUES TECHNIQUES pour plus d'informations.

Généralités

Suivez les procédures ci-dessous pour allumer et éteindre l'armoire à rideau d'air chaud.

⚠ AVERTISSEMENT

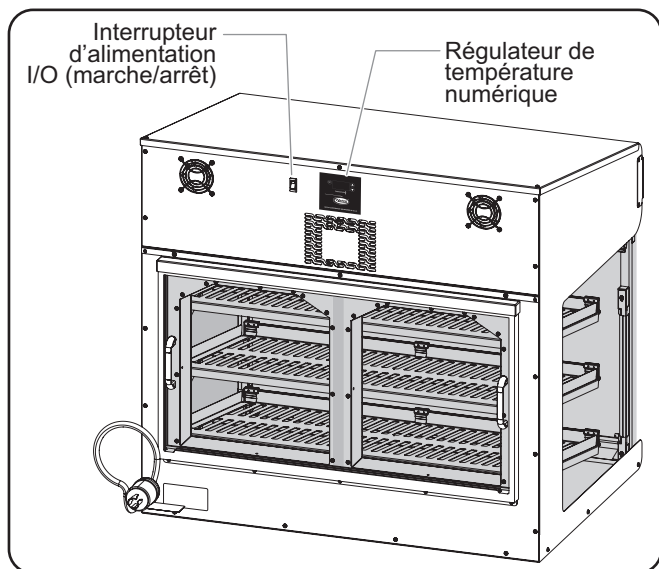
Veillez lire tous les messages de sécurité dans la partie « Consignes de sécurité importantes » avant d'utiliser cet équipement.

Mise en service

1. Veillez à ce que l'appareil soit branché sur une prise électrique correctement reliée à la terre et présentant une tension, une taille et une configuration de fiche correctes. Reportez-vous à la section « Caractéristiques » pour obtenir plus de détails.
2. Mettez l'interrupteur d'alimentation I/O (marche/arrêt) en position I (marche).
 - Les éléments chauffants et les soufflantes se mettent en marche.
 - Le régulateur de température numérique se met en marche et la température actuelle de l'armoire ou « LO » apparaît sur l'affichage. « LO » indique que la température de l'armoire est inférieure à 21°C (70°F).

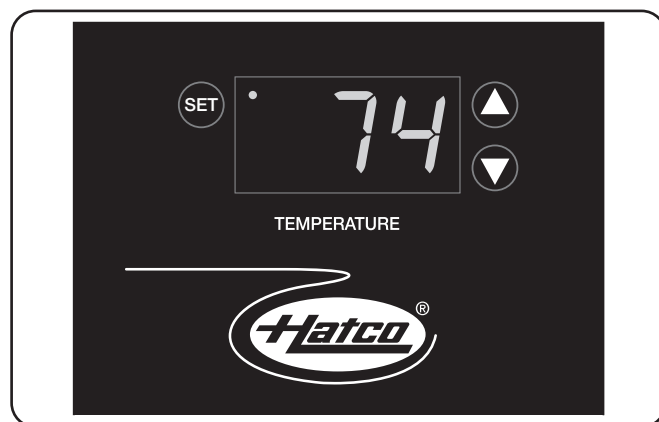
⚠ ATTENTION

DANGER DE BRÛLURE : Certaines surfaces extérieures de l'appareil deviendront chaudes. Soyez prudent lorsque vous touchez ces surfaces.



Commandes

3. Sur les régulateurs de température, appuyez sur la touche **SET** deux fois pour visualiser la température de consigne de l'armoire.
 - La température de consigne sera affichée pendant dix secondes. Au bout de dix secondes, l'affichage reviendra à la température actuelle de l'appareil. Pour modifier la température de consigne, veuillez vous référer à la procédure « Modification de la température de consigne » dans cette section.



Régulateur de température numérique

NOTA: Le régulateur de température numérique est préréglé en usine sur une température de consigne de 74°C (165°F). Une fois que vous avez modifié la température de consigne, cette nouvelle température de consigne sera mémorisée jusqu'au prochain changement. La température de consigne maximale est de 79°C (175°F).

4. Laissez à l'appareil 60 minutes pour atteindre sa température de fonctionnement avant de placer les produits alimentaires préchauffés.

Arrêt

1. Mettez l'interrupteur d'alimentation I/O (marche/arrêt) en position O (arrêt) et attendez que l'appareil refroidisse.
2. Effectuez la procédure de « nettoyage quotidien » décrite dans la section Maintenance de ce manuel.

Modification de la température de consigne

Suivez la procédure suivante pour modifier la température de consigne sur le régulateur de température numérique.

1. Appuyez deux fois sur la touche **SET**. La température de consigne actuelle est affichée à l'écran.
2. Appuyez sur la touche **▲** ou **▼** dans les 10 secondes pour modifier la température de consigne. Appuyez et maintenez la touche ou vous permettra de faire défiler les points de consigne plus rapidement. Si vous n'appuyez sur aucune touche dans les 10 secondes, l'affichage rétablira la température actuelle de l'appareil.
3. Appuyez sur la touche **SET** pour verrouiller la nouvelle température de consigne. Au bout de dix secondes, l'affichage reviendra à la température actuelle de l'appareil.

Alternance entre l'affichage Fahrenheit et Celsius

Utilisez la procédure ci-après pour alterner entre l'affichage Fahrenheit et Celsius.

1. Appuyez une fois sur la touche **SET**. Saisissez « F » pour un affichage en Fahrenheit ou « C » pour un affichage en Celsius.
2. Appuyez sur la touche **▲** ou **▼** dans les 10 secondes pour alterner entre l'affichage « F » et « C ».
3. Appuyez sur la touche **SET** pour verrouiller le nouveau paramètre. Au bout de dix secondes, l'affichage reviendra à la température actuelle de l'appareil.

Généralités

Les armoires à rideau d'air chaud Flav-R-Savor® de Hatco sont conçues pour durer longtemps et offrir des performances maximales tout en nécessitant très peu d'entretien.

AVERTISSEMENT

DANGER DE DÉCHARGE ÉLECTRIQUE :

- Mettre hors tension en utilisant l'interrupteur, laisser l'unité refroidir, et débrancher le cordon d'alimentation avant d'effectuer tout nettoyage, tout réglage ou tout entretien.
- **NE PAS immerger dans l'eau ou mouiller abondamment.** L'appareil n'est pas étanche. N'allumez pas l'appareil s'il a été immergé ou mouillé abondamment.
- L'appareil n'est pas résistant aux projections. N'utilisez pas de pulvérisation de jets nettoyants pour nettoyer l'appareil.
- Ne nettoyez pas l'appareil à la vapeur et n'utilisez pas de l'eau en quantité excessive.
- Utilisez exclusivement des pièces de rechange d'origine de Hatco lorsque cela est nécessaire. L'utilisation de toute autre pièce entraînera l'annulation de toutes les garanties et pourrait exposer les utilisateurs à des tensions électriques dangereuses pouvant mener à des électrocutions ou à des brûlures. Les pièces authentiques Hatco sont conçues pour fonctionner de manière sûre et adaptée dans l'environnement dans lequel elles sont utilisées. Certaines pièces de rechange génériques ne disposent pas de caractéristiques leur permettant de fonctionner en toute sécurité dans des appareils Hatco.

Cet appareil ne contient aucune pièce pouvant être entretenue par les utilisateurs. Si cet appareil a besoin de maintenance, contactez un agent d'entretien agréé par Hatco ou contactez le service entretien de Hatco au 800-558-0607 ou 414-671-6350.

Nettoyage quotidien

Pour préserver la finition brillante de l'armoire, il est recommandé de nettoyer quotidiennement les surfaces intérieures et extérieures.

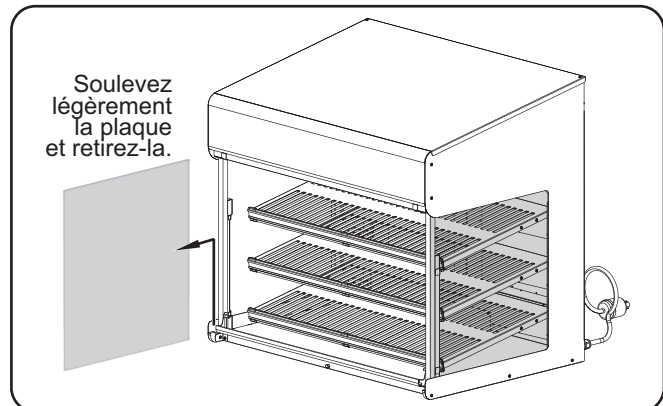
AVIS

Utilisez uniquement des nettoyants non abrasifs et des chiffons doux. Les chiffons et nettoyants abrasifs risquent de rayer la finition de l'appareil, d'altérer son apparence et de le rendre vulnérable à l'accumulation de saleté.

*NOTA: Les ventilateurs de refroidissement à l'intérieur de l'appareil continueront à fonctionner après l'arrêt de l'appareil pendant un court moment. **NE PAS débrancher l'appareil avant l'arrêt complet des ventilateurs.***

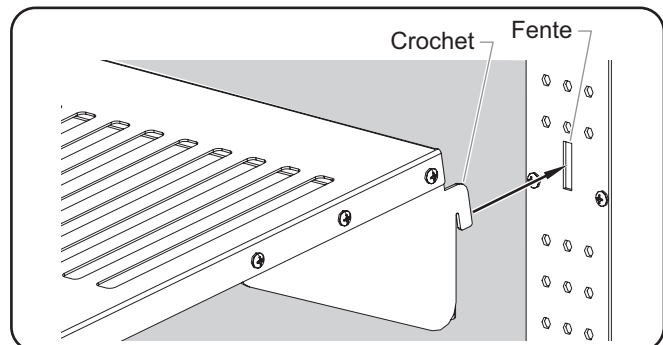
1. Placez l'interrupteur d'alimentation I/O (marche/arrêt) sur la position **O** (arrêt) et laissez l'appareil refroidir.
2. Une fois les ventilateurs refroidis s'arrêter, débranchez le cordon d'alimentation.
3. Retirez et nettoyez tous les récipients alimentaires.

4. Retirez et nettoyez les panneaux latéraux en verre. Retirez les panneaux latéraux en les soulevant légèrement et en les tirant vers l'arrière.



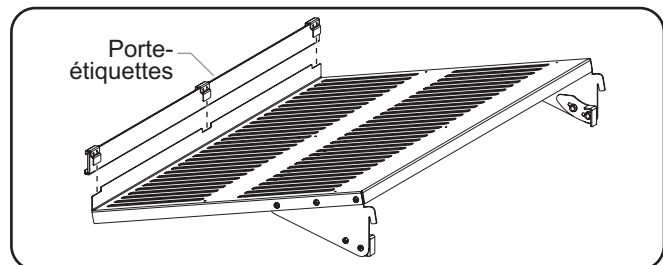
Retrait des panneaux latéraux en verre

5. Retirez et nettoyez les étagères et les porte-étiquettes.
 - a. Retirez les étagères en les soulevant légèrement et en les tirant vers l'arrière.



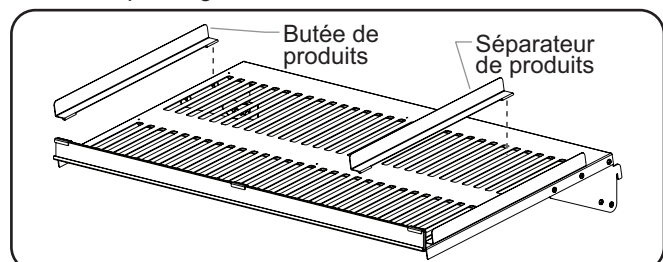
Retrait des étagères

- b. Retirez les porte-étiquettes en les soulevant et en les retirant des fentes de chaque étagère.



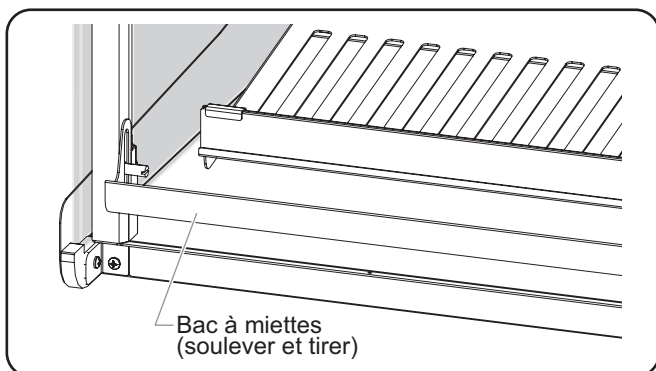
Retrait des porte-étiquettes

- c. Retirez les butées/séparateurs de produits en décrochant chaque butée/séparateur de produits de chaque étagère.



Butées et séparateurs de produits

6. Nettoyez l'extérieur et l'intérieur de l'appareil avec un chiffon propre et doux.
 - Les recoins difficiles d'accès doivent être nettoyés à l'aide d'une petite brosse et d'un savon doux pour la vaisselle.
 - Les taches tenaces peuvent être enlevées avec un nettoyeur pour acier inoxydable ou un nettoyeur non abrasif.
7. Enlevez toutes les miettes du plancher de l'armoire en les essuyant vers le bac à miettes à l'avant de l'appareil.
8. Inclinez le bac à miettes pour vider les miettes. Pour incliner le bac à miettes, soulevez le bac à miettes et éloignez-le de l'appareil.



Retrait des miettes du bac à miettes

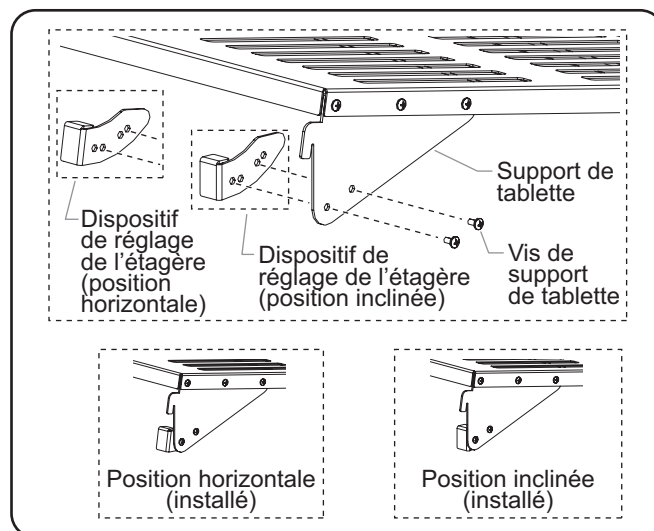
Ajustement des étagères

Les étagères fournies sont de nature inclinées mais elles peuvent être transformées en étagères horizontales. Suivez la procédure ci-dessous pour transformer une étagère inclinée en une étagère horizontale.

1. Placez l'interrupteur d'alimentation I/O (marche/arrêt) sur la position **O** (arrêt) et laissez l'appareil refroidir.
2. Une fois les ventilateurs refroidis s'arrêter, débranchez le cordon d'alimentation.
3. Retirez les étagères. Retirez les étagères en les soulevant légèrement et en les tirant vers l'arrière.
4. Basculez les deux dispositifs de réglage de chaque étagère en position horizontale.

Sur les faces latérales de chaque étagère :

 - a. Enlevez le dispositif de réglage des étagères en dévissant les deux vis du support de tablette.
 - b. Orientez le dispositif de réglage de l'étagère en position horizontale.
 - c. Fixez de nouveau les dispositifs de réglage au support de tablette en utilisant les deux vis de support.
5. Réinstallez chaque étagère en insérant le crochet du support de tablette dans les fentes à l'intérieur de l'appareil.



Ajustement des étagères

⚠ AVERTISSEMENT

La réparation de cet appareil doit être confiée exclusivement à du personnel qualifié. Les réparations par des personnes non qualifiées peuvent provoquer des décharges électriques et des brûlures.

⚠ AVERTISSEMENT

DANGER DE DÉCHARGE ÉLECTRIQUE: Mettre hors tension en utilisant l'interrupteur, laisser l'unité refroidir, et débrancher le cordon d'alimentation avant d'effectuer tout nettoyage, tout réglage ou tout entretien.

Symptôme	Cause Probable	Solution
Les lampes de l'armoire ne fonctionnent pas.	Alimentation coupée.	Mettez l'interrupteur d'alimentation I/O (marche/arrêt) en position « I » (marche).
	Les lumières DEL de l'armoire ou le circuit sont défectueux.	Contactez votre agent de maintenance agréé ou Hatco pour assistance.
L'interrupteur est en position « marche » mais l'appareil ne chauffe pas et ne s'illumine pas.	L'appareil n'est pas branché.	Branchez l'appareil sur une source d'alimentation adaptée.
	Le disjoncteur s'est déclenché.	Redémarrez le disjoncteur.
	Composant défectueux.	Contactez votre agent de maintenance agréé ou Hatco pour assistance.
L'interrupteur est en position « marche », mais aucune chaleur n'est produite dans l'appareil.	La température de consigne est trop basse.	Paramétrez une température de consigne adaptée.
	Composant défectueux.	Paramétrez une température de consigne plus faible. Reportez-vous à la procédure de la section « MODE D'EMPLOI ».
L'interrupteur est en position « marche », mais l'appareil ne maintient pas la température de consigne.	Les aliments ne sont pas placés correctement dans l'armoire et empêchent le rideau d'air de circuler.	Placez les aliments complètement sur l'étagère, sans dépasser. Les aliments ne doivent pas se trouver à l'avant du bac à miettes ni sur le plancher inférieur de l'appareil.
	L'appareil n'a pas atteint la température de consigne.	Attendez environ 60 minutes pour que l'appareil atteigne la température de consigne.
	Le bac à miettes n'est pas placé correctement.	Réglez le bac à miettes pour que le bord avant soit à l'horizontale sur la base de l'appareil.
	La circulation d'air dans l'armoire est inégale/inadaptée.	Identifiez les sources d'écoulement d'air et opérez les modifications nécessaires : <ul style="list-style-type: none"> • éloignez les ventilateurs portatifs ; • fermez toutes les fenêtres et portes ; • fermez la fenêtre du guichet de vente à emporter ; • vérifiez les trappes d'aération au plafond et réorientez-les si nécessaire.
	La porte arrière est ouverte.	Refermez la porte.
	Composant défectueux.	Contactez votre agent de maintenance agréé ou Hatco pour assistance.

Vous avez des questions en ce qui concerne les pannes?

Si le problème persiste, veuillez contacter l'agence d'entretien agréée Hatco la plus proche ou Hatco pour obtenir une assistance. Pour trouver l'agence d'entretien la plus proche, rendez-vous sur le site Internet de Hatco (www.hatcocorp.com) et sélectionnez le menu déroulant *Support (Assistance)*, puis cliquez sur « Find A Service Agent » (trouver un agent d'entretien); ou contactez l'équipe d'entretien et de pièces détachées de Hatco :

Numéro de téléphone: 800-558-0607 ou 414-671-6350

Courriel: support@hatcocorp.com

Supports d'enseigne frontaux

Les supports d'enseigne frontaux sont proposés comme option d'usine.

Étagères à plusieurs niveaux

Les étagères à plusieurs niveaux peuvent être préinstallées en option pour tous les modèles. Les étagères standard ont une profondeur de 432 mm (17"). Les étagères à plusieurs niveaux sont disponibles dans les profondeurs suivantes : étagère du dessus de 305 mm (12"), étagère du milieu de 381 mm (15") et étagère inférieure de 457 mm (18").

Pieds réglables de 102 mm (4")

Les pieds réglables de 102 mm (4") sont disponibles en tant qu'accessoires pour tous les modèles et servent à élever l'appareil.

Portes rabattables

Les portes rabattables sont proposées comme option d'usine pour les modèles [FS3HAC-3626](#) uniquement.

Butées de produit

Les butées de produit contiennent les produits alimentaires sur chaque étagère et sont disponibles en tant qu'options installées en usine.

Pour procéder à l'installation :

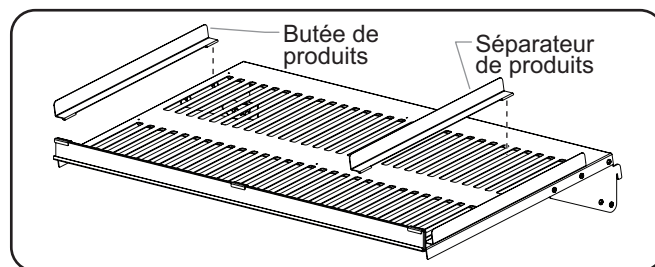
- Installez les butées de produits en accrochant chaque butée de produits aux extrémités de chaque étagère.

Séparateurs de produits

Les séparateurs de produits assurent une séparation des produits alimentaires dans des canaux individuels sur chaque étagère.

Pour procéder à l'installation :

- Installez les séparateurs de produits en accrochant chaque séparateur de produits sur chaque étagère.



Installation des butées et des séparateurs de produits

Portes à charnière droite

Les portes à charnière droite sont proposées comme option d'usine pour les modèles [FS3HAC-2426](#) et [FS3HAC-3026](#) uniquement.

Commande latérale

Un thermostat numérique situé sur le côté est proposé comme option d'usine.

GARANTIE, RECOURS EXCLUSIF :

Hatco Corporation (le Vendeur) garantit que les produits qu'elle fabrique (les Produits) seront exempts de défauts de matériaux et de fabrication dans des conditions d'utilisation et de service normales et lorsqu'ils sont stockés, entretenus et installés en stricte conformité avec les recommandations de l'usine. La seule obligation du vendeur envers la personne ou l'entité qui achète les Produits directement auprès du Vendeur (le Client) dans le cadre de cette garantie est la réparation ou le remplacement par le Vendeur ou un organisme de service autorisé par le Vendeur, à la discrétion du Vendeur, de tout Produit ou de toute pièce de celui-ci jugés défectueux par le Vendeur après examen, pendant : (i) la Durée de la garantie à compter de la date d'expédition par le Vendeur ou (ii) la Durée de la garantie à compter de la date d'enregistrement du Produit conformément aux instructions écrites du Vendeur ; la durée la plus longue s'appliquant. La « Durée de la garantie » désigne les périodes spécifiques énoncées ci-dessous pour des composants spécifiques du Produit ou, si ceux-ci ne sont pas énoncés ci-dessous, une période de dix-huit (18) mois. Le crédit pour les Produits ou les pièces retournés avec l'autorisation écrite préalable du Vendeur sera soumis aux conditions indiquées sur le formulaire d'autorisation de retour de matériel du Vendeur. AUCUN CRÉDIT NE SERA ACCORDÉ POUR LES PRODUITS OU LES PIÈCES RETOURNÉS SANS AUTORISATION ÉCRITE PRÉALABLE DU VENDEUR. Les frais engagés par le Client pour retourner, remplacer ou retirer les Produits ne seront pas remboursés par le Vendeur. Si le défaut est couvert par la garantie limitée, les Produits seront réparés ou remplacés et retournés au Client, et les frais de retour seront payés par le Vendeur. La réparation ou le remplacement prévus dans les présentes est le recours exclusif du client. Toute utilisation inappropriée, modification, réparation, altération, mauvaise application, installation incorrecte, application d'une tension inappropriée, ou toute autre action ou inaction par le Client ou d'autres personnes (y compris l'utilisation de tout organisme de service non autorisé) qui, selon le seul jugement du Vendeur, affecte négativement le Produit annule cette garantie. La garantie expressément prévue dans les présentes ne peut être réclamée que par le Client et non par les clients du Client ou d'autres utilisateurs des Produits ; cependant, si le Client est un revendeur d'équipement autorisé par le Vendeur, le Client peut attribuer la garantie aux clients du Client, sous réserve de toutes les limitations des présentes Conditions, et dans ce cas, la garantie sera exclusivement contrôlée par le Vendeur conformément aux présentes Conditions. CETTE GARANTIE LIMITÉE EST EXCLUSIVE ET REMPLACE TOUTE AUTRE GARANTIE, EXPRESSE OU IMPLICITE, Y COMPRIS, MAIS SANS S'Y LIMITER, TOUTE GARANTIE IMPLICITE D'ABSENCE DE CONTREFAÇON, DE QUALITÉ MARCHANDE OU D'ADÉQUATION À UN USAGE PARTICULIER, QUI EST EXPRESSÉMENT DÉCLINÉE.

Garantie d'un (1) an pour les pièces et la main-d'œuvre, PLUS garantie d'un (1) an supplémentaire pour les pièces uniquement :

- Éléments du grille-pain à convoyeur (enveloppe métallique)
- Éléments des tiroirs chauffants (enveloppe métallique)
- Tiroirs, roues et glissières des tiroirs chauffants
- Éléments du réchaud (enveloppe métallique)
- Éléments de présentation du réchaud (enveloppe métallique, air chauffant)
- Éléments des armoires de stockage (enveloppe métallique, air chauffant)
- Éléments de puits chauffants — séries HW, HWB et HWBI (enveloppe métallique)

Garantie de deux (2) ans pour les pièces et la main-d'œuvre :

- Gammes à induction
- Réchauds à induction

Garantie de remplacement d'un (1) an :

- Grille-pain à éjection TPT

Garantie d'un (1) an pour les pièces et la main-d'œuvre, PLUS garantie de quatre (4) ans pour les pièces uniquement :

- Cuves 3CS et FR

Garantie d'un (1) an pour les pièces et la main-d'œuvre, PLUS garantie de neuf (9) ans pour les pièces uniquement :

- Cuves des appareils de chauffage d'appoint électriques
- Cuves des appareils de chauffage d'appoint à gaz

Garantie de quatre-vingt-dix (90) jours pour les pièces uniquement :

- Pièces de rechange

Nonobstant toute disposition contraire des présentes, la garantie limitée des présentes ne couvrira pas, à la seule discrétion du vendeur, les éléments suivants, mais sans s'y limiter : ampoules à incandescence enduites, éclairages fluorescents, ampoules de lampe chauffante, ampoules halogènes enduites, ampoules de lampe chauffante halogène, ampoules au xénon, tubes de lumière DEL, composants en verre et fusibles ; défaillance du Produit au niveau de la cuve d'appoint, de l'échangeur de chaleur à tubes à ailettes ou de tout autre équipement de chauffage de l'eau causée par la formation de calcaire, l'accumulation de sédiments, une attaque chimique ou le gel.

INSTRUCTIONS D'ENREGISTREMENT DE LA GARANTIE :

L'enregistrement du produit doit être soumis dans les 90 jours à compter de la date d'expédition de notre usine pour bénéficier d'une couverture supplémentaire. L'enregistrement peut être soumis via le formulaire sur le site Web du Vendeur, via le formulaire accessible grâce au code QR sur le Produit (le cas échéant) ou en appelant le service client en fournissant les informations requises au : **+1 800 558 0607** ou **+1 414 671 6350**.

CLAUSE LIMITATIVE DE RESPONSABILITÉ :

LE VENDEUR NE SERA PAS TENU RESPONSABLE DES DOMMAGES INDIRECTS, ACCESSOIRES, CONSÉCUTIFS, PUNITIFS, EXEMPLAIRES OU DÉTERMINÉS, Y COMPRIS, MAIS SANS S'Y LIMITER, LES MANQUES À GAGNER, LES COÛTS DES PRODUITS DE SUBSTITUTION OU LES FRAIS DE MAIN-D'ŒUVRE RÉSULTANT DE LA VENTE, DE L'UTILISATION OU DE L'INSTALLATION DES PRODUITS, QUE LES PRODUITS SOIENT INCORPORÉS DANS D'AUTRES PRODUITS OU EN DEVIENNENT DES COMPOSANTS, OU DE TOUTE AUTRE CAUSE QUE CE SOIT, FONDÉE SUR UNE GARANTIE (EXPRESSE OU IMPLICITE) OU AUTREMENT FONDÉE SUR UN CONTRAT, UN TORT OU TOUTE AUTRE THÉORIE DE RESPONSABILITÉ, ET INDÉPENDamment DE TOUT CONSEIL OU REPRÉSENTATION QUI AURAIENT PU ÊTRE DONNÉS PAR LE VENDEUR CONCERNANT LA VENTE, L'UTILISATION OU L'INSTALLATION DES PRODUITS, MÊME SI LE VENDEUR EST CONSCIENT DE LA POSSIBILITÉ DE TELS DOMMAGES. EN AUCUN CAS, LA RESPONSABILITÉ GÉNÉRALE DU VENDEUR DÉCOULANT DE CE CONTRAT OU LIÉE À CELUI-CI NE DÉPASSERA LES MONTANTS TOTAUX PAYÉS AU VENDEUR PAR LE CLIENT POUR LES PRODUITS DANS LA PÉRIODE DE TROIS (3) MOIS PRÉCÉDANT IMMÉDIATEMENT L'ÉVÉNEMENT DONNANT LIEU À UNE RÉCLAMATION DU CLIENT. LES LIMITATIONS ÉNONCÉES DANS LES PRÉSENTES CONCERNANT LA RESPONSABILITÉ DU VENDEUR SONT VALABLES ET EXÉCUTOIRES NONOBTANT UN MANQUEMENT À L'OBJECTIF PRINCIPAL DU RECOURS LIMITÉ SPÉCIFIÉ DANS CES CONDITIONS.

Le vendeur se réserve le droit de mettre à jour ces conditions à tout moment, à sa seule discrétion, qui deviennent obligatoires à la date de publication. Pour la version la plus récente de nos conditions de vente complètes, consultez notre site Web à l'adresse : <https://www.hatcocorp.com/terms-of-sale>

AUTHORIZED PARTS DISTRIBUTORS • DISTRIBUTEURS DE PIÈCES AUTORISÉS

ALABAMA

Jones McLeod Appl. Svc.
Birmingham 205-251-0159

ARIZONA

Tech 24
Phoenix 602-234-2443

Byassee Equipment Co.
Phoenix 602-252-0402

CALIFORNIA

Industrial Electric
Commercial Parts & Service, Inc.
Huntington Beach 714-379-7100

Chapman Appl. Service
San Diego 619-298-7106

P & D Appliance
Commercial Parts & Service, Inc.
S. San Francisco 650-635-1900

COLORADO

Hawkins Commercial Appliance
Englewood 303-781-5548

FLORIDA

Whaley Foodservice Repair
Jacksonville 904-725-7800

Whaley Foodservice Repair
Orlando 407-757-0851

B.G.S.I./Heritage
Pompano Beach 954-971-0456

Comm. Appliance Service
Tampa 813-663-0313

GEORGIA

Heritage Service Group
Norcross 866-388-9837

HAWAII

Burney's Comm. Service, Inc.
Honolulu 808-848-1466

Food Equip Parts & Service
Honolulu 808-847-4871

ILLINOIS

Parts Town
Addison 708-865-7278

Eichenauer Elec. Service
Decatur 217-429-4229

Midwest Elec. Appl. Service
Elmhurst 630-279-8000

Cone's Repair Service
Moline 309-797-5323

IOWA

Goodwin Tucker Group
Des Moines 515-262-9308

KENTUCKY

Tech 24
Lexington 859-254-8854

Tech 24
Louisville 502-451-5411

LOUISIANA

Chandlers Parts & Service
Baton Rouge 225-272-6620

MARYLAND

Electric Motor Service
Baltimore 410-467-8080

MASSACHUSETTS

Ace Service Co. Inc.
Needham 781-449-4220

MICHIGAN

Bildons Appliance Service
Detroit 248-478-3320

Commercial Kitchen Service
Bay City 989-893-4561

Midwest Food Equip. Service
Grandville 616-261-2000

MISSOURI

General Parts
Kansas City 816-421-5400

Commercial Kitchen Services
St. Louis 314-890-0700

Kaemmerlen Parts & Service
St. Louis 314-535-2222

NEBRASKA

Anderson Electric
Omaha 402-341-1414

NEVADA

Burney's Commercial
Las Vegas 702-736-0006

Hi. Tech Commercial Service
N. Las Vegas 702-649-4616

NEW JERSEY

Jay Hill Repair
Fairfield 973-575-9145

Service Plus
Flanders 973-691-6300

NEW YORK

Alpro Service Co.
Maspeth 718-386-2515

Duffy's - AIS
Buffalo 716-884-7425

3Wire
Plattsburgh 800-634-5005

Duffy's - AIS
Sauquoit 800-836-1014

J.B. Brady, Inc.
Syracuse 315-422-9271

NORTH CAROLINA

Authorized Appliance
Charlotte 704-377-4501

OHIO

Akron/Canton Comm. Svc. Inc.
Akron 330-753-6634

Tech 24
Cincinnati 513-772-6600

Commercial Parts and Service
Columbus 614-221-0057

Electrical Appl. Repair Service
Brooklyn Heights 216-459-8700

E. A. Wichman Co.
Toledo 419-385-9121

OKLAHOMA

Hagar Rest. Service, Inc.
Oklahoma City 405-235-2184

OREGON

General Parts Group
Portland 503-624-0890

PENNSYLVANIA

Elmer Schultz Services
Philadelphia 215-627-5401

FAST Comm. Appl. Service
Philadelphia 215-288-4800

AIS Commercial Parts and Service
Pittsburgh 412-809-0244

K & D Service Co.
Harrisburg 717-236-9039

Electric Repair Co.
Reading 610-376-5444

RHODE ISLAND

Marshall Electric Co.
Providence 401-331-1163

SOUTH CAROLINA

Whaley Foodservice Repair
Lexington 803-996-9900

TENNESSEE

Camp Electric
Memphis 901-527-7543

TEXAS

Armstrong Repair Service
Houston 713-666-7100

Cooking Equipment Specialist
Mesquite 972-686-6666

Commercial Kitchen Repair Co.
San Antonio 210-735-2811

UTAH

La Monica's Rest. Equip. Service
Murray 801-263-3221

VIRGINIA

Daubers
Norfolk 757-855-4097

Daubers
Springfield 703-866-3600

WASHINGTON

3Wire
Seattle 800-207-3146

WISCONSIN

A.S.C., Inc.
Madison 608-246-3160

A.S.C., Inc.
Milwaukee 414-543-6460

CANADA

ALBERTA

Key Food Equipment Service
Edmonton 780-438-1690

BRITISH COLUMBIA

Key Food Equipment Service
Vancouver 604-433-4484

Key Food Equipment Service
Victoria 250-920-4888

MANITOBA

Air Rite, Inc.
Winnipeg 204-895-2300

NEW BRUNSWICK

EMR Services, Ltd.
Moncton 506-855-4228

ONTARIO

R.G. Henderson Ltd.
Toronto 416-422-5580

Choquette - CKS, Inc.
Ottawa 613-739-8458

QUÉBEC

Choquette - CKS, Inc.
Montreal 514-722-2000

Choquette - CKS, Inc.
Québec City 418-681-3944

UNITED KINGDOM

Marren Group
Northants +44(0)1933 665313

HATCO CORPORATION

P.O. Box 340500

Milwaukee, WI 53234-0500 U.S.A.

800-558-0607 414-671-6350

support@hatcocorp.com

www.hatcocorp.com

Register your unit online!

See IMPORTANT OWNER INFORMATION
section for details.

Enregistrez votre appareil en ligne !

Lisez la section INFORMATIONS IMPORTANTES POUR
LE PROPRIÉTAIRE pour plus d'informations.