

We reserve the right to change or revise specifications and product design in connection with any feature of our products. Such changes do not entitle the buyer to corresponding changes, improvements, additions or replacements for equipment previously sold or shipped.

Item	Part #	Description	Wiring Item #	Item	Part #	Description	Wiring Item #
FAN ASSEMBLIES AND THERMOSTATS				REFRIGERATION			
A.	4W Standard Energy Efficient <u>0477659</u>	Fan Assembly (1) Fan Motor, Evaporator – 208V/230V (MO.4410550)		K.	<u>0513597</u>	Condensing Unit Assembly 230V (EQ.4613775)	
	<u>0409511</u>	Fan Blade (FB. <u>0409511</u>)		L.	<u>0331344</u>	Sight Glass (GL.4974431)	
B.	<u>0510349</u>	Standard Adjustable Refrigeration Thermostat (CT.4441543)	(2)	M.	<u>0111482</u>	Drier (FI.4611727)	
HEATERS				N.	<u>0335537</u>	Crankcase Pressure Regulator (VR.4611761)	
C.	<u>0401609</u>	Nosing Anti-sweat Heater 220V (HE.4850472)	(3)	O.	<u>0417890</u>	TEV (VR.4611654)	
D.	<u>0322013</u>	Condensate Pan Heater 230V (HE.4850230)	(4)	LAMPS AND BALLASTS (IN OPTIONAL LIGHT BAR)			
E.	11584P	Condensate Pan (DP.4982972)		P.	<u>0466234</u>	Ballast, Electronic 2 lamps (BA.4480823)	(9)
CONTROL PANEL				Q.		Fluorescent Lamp <i>Replace with like fixtures</i>	(10)
F.	<u>0106236</u>	Defrost Timer (TC.4440604)	(5)				
G.	<u>0019187</u>	Disconnect Switch (SW.4440647)	(6)				
H.	<u>0138400</u>	Contactor (CN.4480909)	(7)				
I.	<u>0513693</u>	Pressure Control (CP.4482953)	(8)				
J.	<u>0513676</u>	Power Cord (EP.4482952)					

Note: Revision C updated to DOE 2017. Other changes marked by bar, underline or circle.

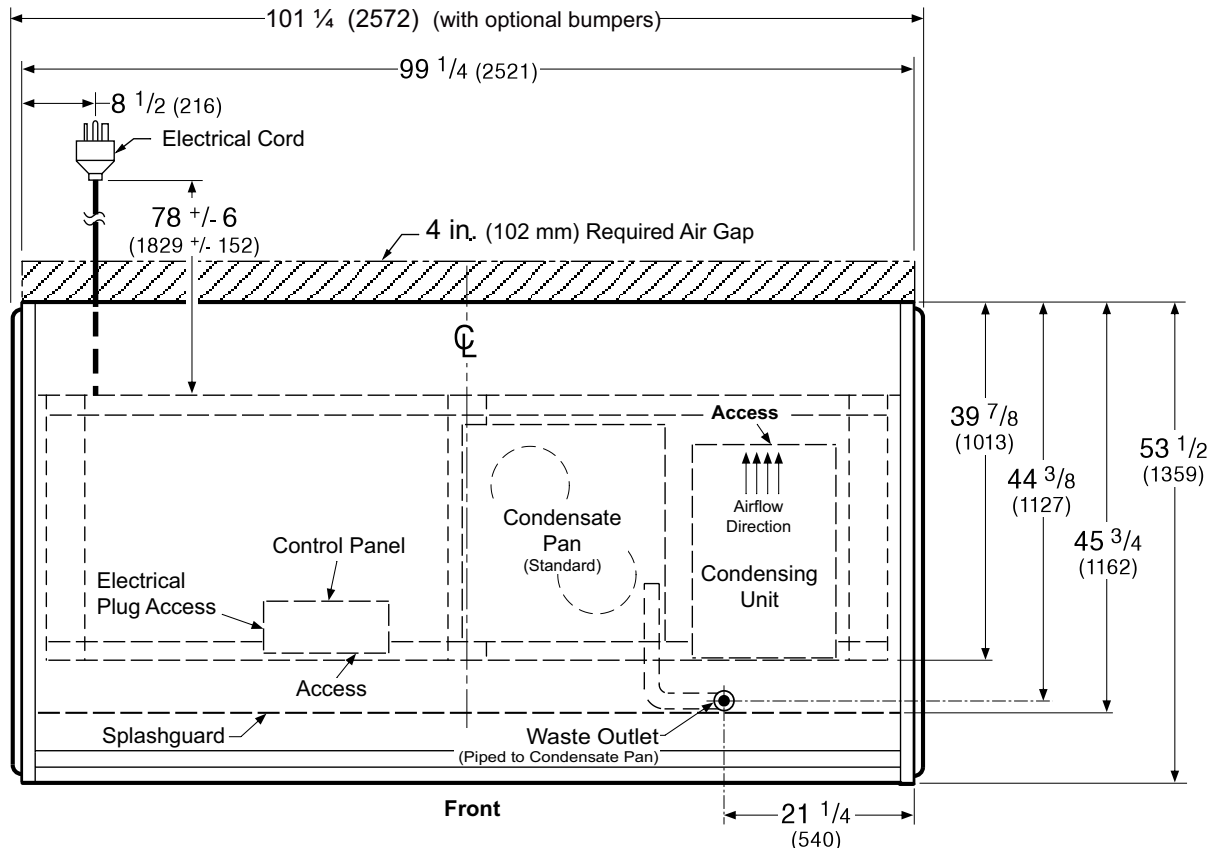
Engineering Plan Views

BEXD-8A

**Bakery,
Self-Contained**

Dimensions shown as inches and (mm).

11-2010



General	
Case Length (Note: Includes One Pair Ends)	99 1/4 (2521)
Optional End Bumpers (One Pair)	2 (51)
Maximum O/S dimension of case back to front (Note: Includes bumper)	53 1/2 (1359)
Back of case to front of splashguard	45 3/4 (1162)
Center of rear legs to center of front legs	25 (635)
Waste Outlet ●	
RH end of case (from outside of End Assembly) to center of waste outlet	21 1/4 (540)
Back of case to center of waste outlet	44 3/8 (1127)

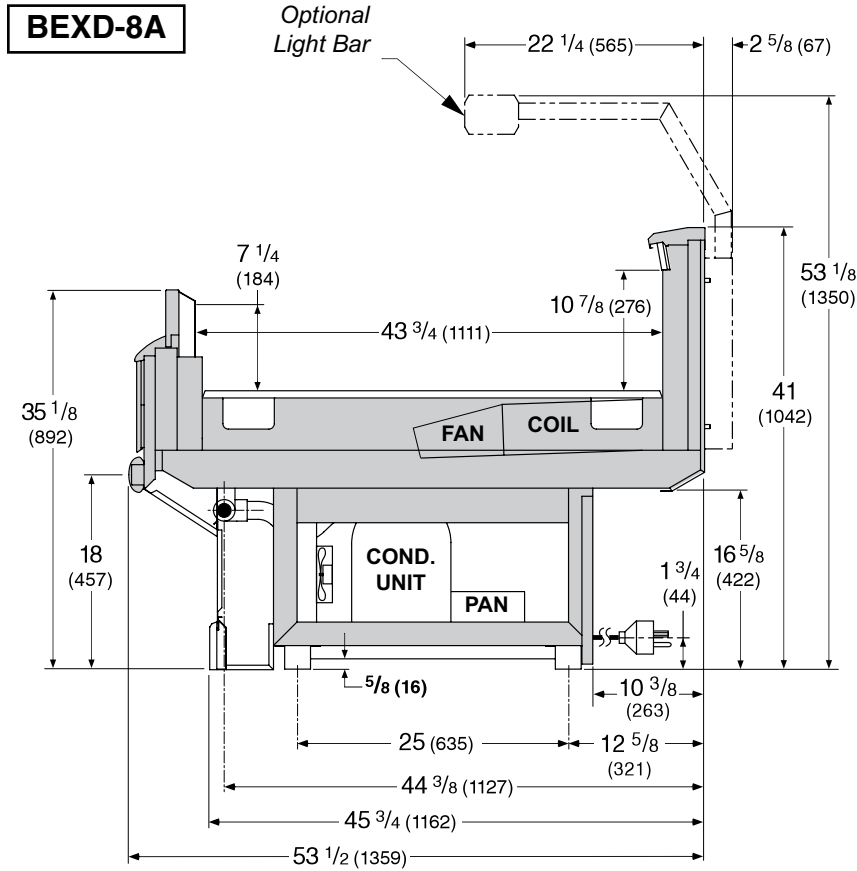


PLUG
NEMA 6-20P
20A 250V
UL/CSA



Husmann refrigerated merchandisers configured for sale for use in the United States meet or surpass the requirements of the DOE 2017 energy efficiency standards.

Dimensions shown as inches and (mm).



REFRIGERATION DATA

Note: This data is based on store temperature and humidity that does not exceed 75°F and 55% R.H. unless otherwise stated. Schedule defrost at night while lights are off.

	BEXD-8A
Thermostat Setting CI/CO (°F)	27 / 23
Condensing Unit (hp)	0.75
Condensing Unit Capacity (Btu/hr at std. rating conditions)	6590

DEFROST DATA

	BEXD-8A
Frequency (hr)	12
OFFTIME	
Failsafe (minutes)	70
Defrost Termination Pressure (psig)	100 (48°F)

CONVENTIONAL CONTROLS

	BEXD-8A
Low Pressure Backup Control	CI/CO
HPC (psig)	400/450
LPC (psig)	45/34

PHYSICAL DATA

			BEXD-8A
Refrigerant Charge	8 ft	4.4 lb	72 oz 2.0 kg

NSF Certification

This merchandiser model is manufactured to meet NSF/ANSI (National Sanitation Foundation) Standard #7 requirements for construction, materials & cleanability.

Excel BEXD-8A Bakery, Self-Contained

Electrical Data

Note: These are rated values for individual components and should not be added together to determine total merchandiser electrical load.

	8 ft	
Number of Fans – 4W	2	
	Amperes	Watts
	8 ft	8 ft
Evaporator Fans		
230V 60Hz Energy Efficient	0.12	16
Nosing Anti-sweat Heaters (220V)	0.36	80
Condensate Pan Heaters (230V)	4.0	920
Condensing Unit (208/230V, 1ph, 60Hz)		
Minimum Circuit Ampacity	12.3	
Compressor LRA	43.0	
Compressor RLA	9.0	
Lighting		
Standard	8 ft	8 ft
None	NA	NA
ONLY LIGHTING CONFIGURATIONS THAT ARE COMPLIANT WITH THE U.S. DEPT. OF ENERGY (DOE) 2017 REGULATION ARE AVAILABLE FOR SALE FOR USE IN THE U.S.A.		
Optional Light Bar		
1 Row Fluorescent Lamp	0.21	60
Circuit Amp Rating at Plug		
230V 1ph 60Hz Standard	13.5	
230V 1ph 60Hz Energy Efficient	13.4	
Add for Optional Light Bar	0.21	
Maximum Over Circuit Protection 208/230V	20	

Product Data

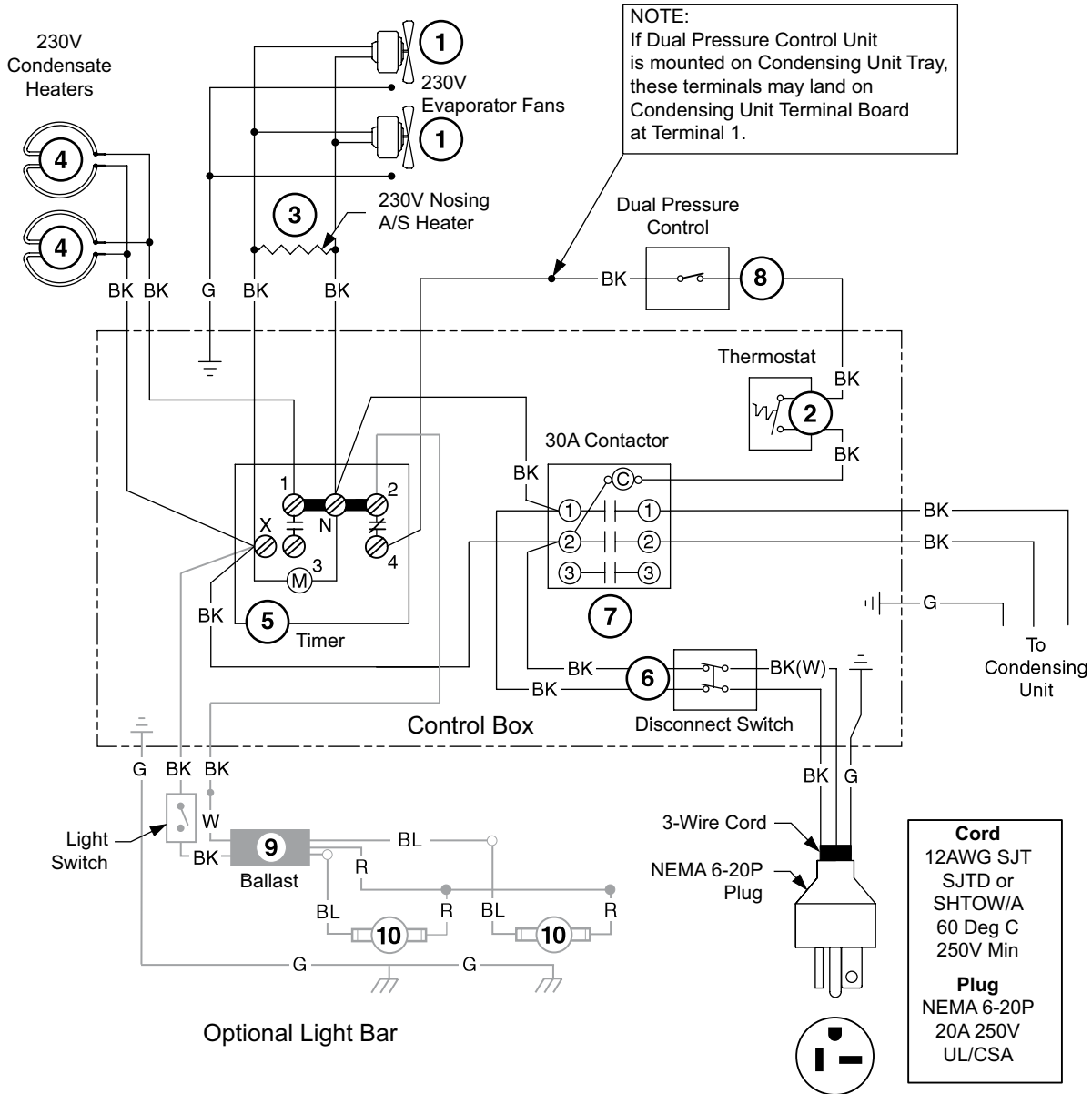
<i>Recommended Usable Cube</i> ¹ (Cu FtlCase)	22.77 ft ³ /case (0.64 m ³ /case)
<i>AHRI Total Display Area</i> ² (Sq FtlCase)	27.92 ft ² /case (2.59 m ² /case)
<i>Shelf Area</i> ³ (Sq FtlCase)	29.26 ft ² /case (2.72 m ² /case)

¹ AHRI Refrigerated Volume less shelving and other unusable space: Refrigerated Volume / Unit of Length, ft³/ft [m³/m]
² Computed using AHRI 1200 standard methodology: Total Display Area, ft² [m²] / Unit of Length, ft [m]
³ Shelf surface area is composed of bottom deck plus standard shelf complement, as shown in the Hussmann *Product Reference Guide*. The standard shelf complement for this model is NONE.

ESTIMATED SHIPPING WEIGHT ⁴		
Case	<i>8 ft</i>	<i>End</i>
lb (kg)	1027 (466)	Included
⁴ Actual weights will vary according to optional kits included.		

Excel BEXD-8A
Bakery, Self-Contained

Electrical Wiring



WARNING

All components must have mechanical ground, and the merchandiser must be grounded.

Circled numbers = Parts List Item Numbers

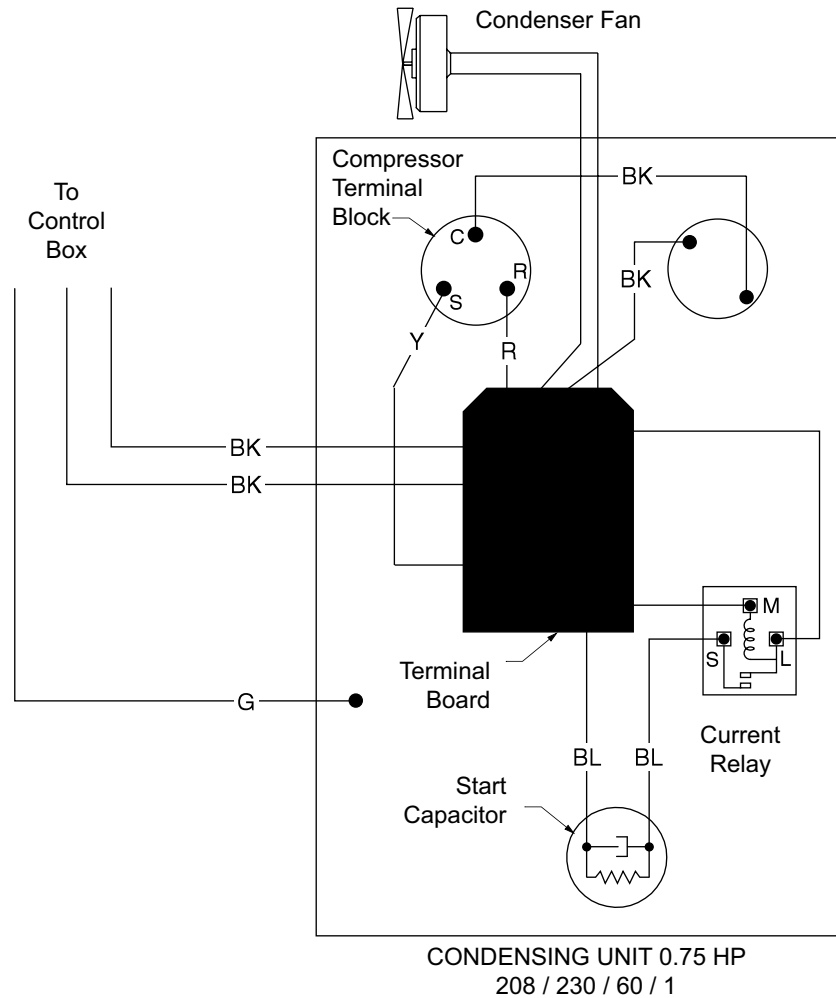
R = Red Y = Yellow G = Green BL = Blue BK = Black W = White

● = 120V POWER ○ = 120V NEUTRAL ⊥ = FIELD GROUND ≡ = CASE GROUND

Condensing Unit Terminal Board

Electrical Wiring

Typical – for information only



WARNING

All components must have mechanical ground, and the merchandiser must be grounded.
Circled numbers = Parts List Item Numbers

R = Red Y = Yellow G = Green BL = Blue BK = Black W = White
 ● = 120V POWER ○ = 120V NEUTRAL ⊥ = FIELD GROUND ≡ = CASE GROUND