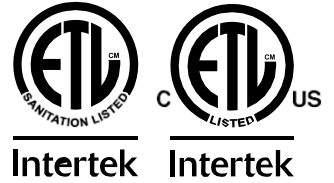


HUSSMANN®



ISLA IM-H

Multi-Deck Display

Hot Merchandisers



Installation & Operation Manual

Shipped with Technical Data Sheets

September 2025






BEFORE YOU BEGIN

Read these instructions completely and carefully.



ANSI Z535.5 DEFINITIONS

- 
 • **DANGER** – Indicate[s] a hazardous situation which, if not avoided, will result in death or serious injury.
- 
 • **WARNING** – Indicate[s] a hazardous situation which, if not avoided, could result in death or serious injury.
- 
 • **CAUTION** – Indicate[s] a hazardous situation which, if not avoided, could result in minor or moderate injury.
- **NOTICE** – Not related to personal injury – Indicates[s] situations, which if not avoided, could result in damage to equipment.

The information contained in this document is the property of Hussmann Corporation and shall not be used in whole or in part without written permission.

WARNING

PERSONAL PROTECTION EQUIPMENT (PPE)

Only qualified personnel should install and service this equipment. Personal Protection Equipment (PPE) is required whenever installing or servicing this equipment. Always wear appropriate PPE as required by OSHA regulations, as well as all other federal, state and local codes. PPE may include, but is not limited to, safety glasses, gloves, protective boots or shoes, long pants, and a long-sleeve shirt. Observe all precautions on tags, stickers, labels and literature attached to this equipment.

CAUTION

This manual was written in accordance with originally prescribed equipment that is subject to change. Hussmann reserves the right to change all or part of the equipment for future stores such as, but not limited to, controllers and electrical specifications.

WARNING

— LOCK OUT / TAG OUT —

To avoid serious injury or death from electrical shock, always disconnect the electrical power at the main disconnect when servicing or replacing any electrical component. This includes, but is not limited to, such items as controllers, electrical panels, condensers, lights, fans, and heaters.

WARNING

Proper Field Wiring and Grounding Required!
Failure to follow code could result in death or serious injury. All field wiring **MUST** be performed by qualified personnel. Improperly installed and grounded field wiring poses **FIRE** and **ELECTROCUTION** hazards. To avoid these hazards, you **MUST** follow requirements for field wiring installation and grounding as described in NEC and your local/state electrical codes.

Table of Contents

- 1. General Instructions 4**
 - Installation Tool List5
 - Cross Sections, Plan views, Data Sheets6-7
- 2. Installation 8**
 - Unloading Cases From Trailer.....8
 - Removing Shipping Skid And/Or Crate.....8
 - HUSSMANN and HATCO Serial Plate Locations8
 - Environmental Location.....9
 - Uncrating9
 - Exterior Loading.....9
 - Setting and Joining9
 - Leveling.....9
 - ISLA Body Panel Removal and Installation.....10
 - ISLA Lifting and Transport Instructions11-14
- 3. Electrical 15**
 - Wiring Color Code.....15
 - Electrical Circuit Identification.....15
 - Field Wiring and Serial Plate Amperage15
 - Ballast/LED Driver Location.....15
- 4. Operation 17**
 - Startup Instructions17
 - Holding Temperature Guide.....17
 - Holding Temperature Guidelines.....17
 - Instruction sheet for Heated Shelves.....18
- 5. Maintenance 19**
 - General.....19
 - General Cleaning Directions19
 - Cleaning Instructions19
 - Stainless Steel Cleaning and Care19
- 6. Electrical Wiring Diagrams 20-95**
- 7. Troubleshooting Guide..... 96-97**
- 8. Hatco Limited Warranty 98**
- 9. Hussmann Warranty 99**
- 10. Service Record 100**

IMPORTANT
KEEP THIS DOCUMENT IN YOUR STORE FOR FUTURE REFERENCE

Quality that sets industry standards!



12999 St. Charles Rock Road • Bridgeton, MO 63044-2483

U.S. & Canada 1-800-922-1919 • Mexico 800-890-2900

www.hussmann.com

© 2020 Hussmann Corporation

1. General Instructions

IMPORTANT

KEEP THIS DOCUMENT IN YOUR STORE FOR FUTURE REFERENCE

HUSSMANN®

13770 Ramona Avenue
Chino, California 91710
(909) 628-8942 FAX
(909) 590-4910

12999 St. Charles Rock Road
Bridgeton, MO 63044-2483
U.S. & Canada
1-800-922-1919

This Booklet Contains Information on: ISLA ADVANTAGE HOT MULTI-DECK CASES. Self Service Hot cases designed to fit within a line-up of multi-deck self service cases or at the end of a line-up.

Shipping Damage

All equipment should be thoroughly examined for shipping damage before and during unloading.

This equipment has been carefully inspected at our factory and the carrier has assumed responsibility for safe arrival. If damaged, either apparent or concealed, claim must be made to the carrier.

Apparent Loss or Damage

If there is an *obvious loss or damage*, it must be noted on the freight bill or express receipt and signed by the carrier's agent; otherwise, carrier may refuse claim. The carrier will supply necessary claim forms.

Concealed Loss or Damage

When loss or damage *is not apparent until after equipment is uncrated*, a claim for concealed damage is made. Make request in writing to carrier for inspection within 15 days, and retain all packaging. The carrier will supply inspection report and required claim forms.

Shortages

Check your shipment for any possible shortages of material. If a shortage should exist and is found to be the responsibility of Hussmann, *notify Hussmann*. If such a shortage involves the carrier, *notify the carrier immediately*, and request an inspection. Hussmann will acknowledge shortages within ten days from receipt of equipment.

Hussmann Product Control

The serial number and shipping date of all equipment has been recorded in Hussmann's files for warranty and replacement part purposes. All correspondence pertaining to warranty or parts ordering must include the serial number of each piece of equipment involved, in order to provide the customer with the correct parts.

Keep this booklet with the case at all times for future reference.

General Instructions Cont'd

REVISION HISTORY

REVISION B

Updated to new template based on s-Series model

Original Issue



INSTALLATION TOOL LIST



UNLOADING FROM TRAILER:

Lever Bar
*(also known as a Mule, Johnson Bar, J-bar, Lever Dolly,
 and pry lever)*
 Moving Dolly



SETTING CASE LINE-UP:

Level, 4 ft suggested
 Ratchet
 1/4 in. Socket
 5/16 in. Socket
 1/2 in. Socket
 Battery Drill/Screw Gun
 Caulking Gun
 10 in. Adjustable Crescent Wrench



This warning does not mean that Husmann products will cause cancer or reproductive harm, or is in violation of any product-safety standards or requirements. As clarified by the California State government, Proposition 65 can be considered more of a 'right to know' law than a pure product safety law. When used as designed, Husmann believes that our products are not harmful. We provide the Proposition 65 warning to stay in compliance with California State law. It is your responsibility to provide accurate Proposition 65 warning labels to your customers when necessary. For more information on Proposition 65, please visit the California State government website.

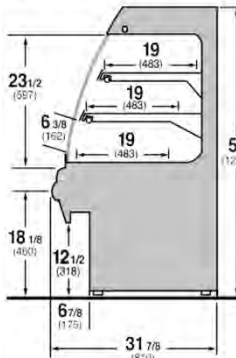
General Instructions Cont'd

CROSS SECTIONS, PLAN VIEWS, DATA SHEET

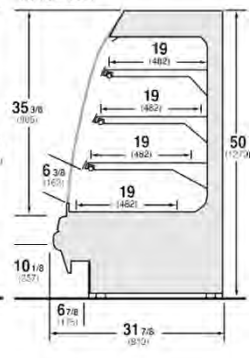


SELF SERVICE MULTI-DECK HOT CASE
 HUSSMANN - IM - 0(3, 4, 5) - (X)(3, 4, 5, 6) - H (CHINO)

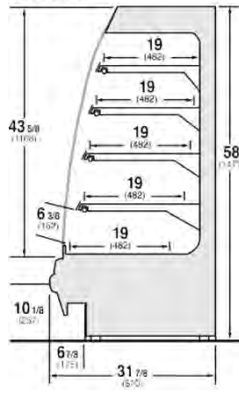
IM-03-H
Self service hot module



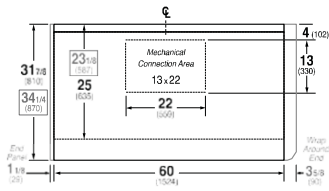
IM-04-H
Hot Multi-Deck



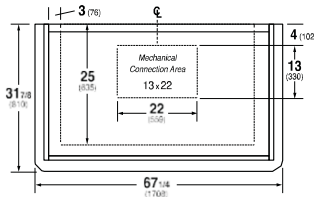
IM-05-H
Hot Multi-Deck



IM-C5-H Center Module | **IM-E5-H** End Module



IM-E5-H End Module



ELECTRICAL DATA:

208 VOLT MODELS *	VOLTS	PH	HZ	TOTAL HOT LEVELS ***	WATTS	AMPS	WIRES **	CANOPY LIGHTS		SHELF LIGHTS		OPTIONAL LEDGE LIGHTS		TOTAL LIGHTS		
								AMPS	WATTS	# ROWS	AMPS	WATTS	AMPS	WATTS	AMPS	WATTS
IM-03-X3-H208	208	1	60	3	1789	8.6	4	0.19	21	2	0.38	42	N/A	N/A	0.57	63
IM-03-X4-H208	208	1	60	3	2517	12.1	4	0.26	28	2	0.52	56	N/A	N/A	0.78	84
IM-03-X5-H208	208	1	60	3	3224	15.5	4	0.32	35	2	0.52	56	N/A	N/A	0.84	91
IM-03-X6-H208	208	1	60	3	3890	18.7	4	0.38	42	2	0.66	70	N/A	N/A	1.04	112
IM-03-X8-H208	208	1	60	3	5013	24.1	4	0.52	56	2	0.76	84	N/A	N/A	1.28	140
IM-04-X3-H208	208	1	60	4	2371	11.4	4	0.19	21	3	0.57	63	N/A	N/A	0.76	84
IM-04-X4-H208	208	1	60	4	3328	16	4	0.26	28	3	0.78	84	N/A	N/A	1.04	112
IM-04-X5-H208	208	1	60	4	4306	20.7	4	0.32	35	3	0.96	105	N/A	N/A	1.28	140
IM-04-X6-H208	208	1	60	4	5200	25	4	0.38	42	3	1.14	126	N/A	N/A	1.52	168
IM-04-X8-H208	208	1	60	4	6323	30.4	4	0.52	56	3	1.14	126	N/A	N/A	1.66	182
IM-05-X3-H208	208	1	60	5	2954	14.2	4	0.19	21	4	0.76	84	N/A	N/A	0.95	105
IM-05-X4-H208	208	1	60	5	4160	20	4	0.26	28	4	1.04	112	N/A	N/A	1.30	140
IM-05-X5-H208	208	1	60	5	5366	25.8	4	0.32	35	4	1.28	140	N/A	N/A	1.60	175
IM-05-X6-H208	208	1	60	5	6490	31.2	4	0.38	42	4	1.52	168	N/A	N/A	1.90	210
IM-05-X8-H208	208	1	60	5	8320	40	4	0.52	56	4	2.08	224	N/A	N/A	2.60	280

240 VOLT MODELS *	VOLTS	PH	HZ	TOTAL HOT LEVELS ***	WATTS	AMPS	WIRES **	CANOPY LIGHTS		SHELF LIGHTS		OPTIONAL LEDGE LIGHTS		TOTAL LIGHTS		
								AMPS	WATTS	# ROWS	AMPS	WATTS	AMPS	WATTS	AMPS	WATTS
IM-03-X3-H240	240	1	60	3	1800	7.5	4	0.19	21	2	0.38	42	N/A	N/A	0.57	63
IM-03-X4-H240	240	1	60	3	2528	10.5	4	0.26	28	2	0.52	56	N/A	N/A	0.78	84
IM-03-X5-H240	240	1	60	3	3216	13.4	4	0.32	35	2	0.64	70	N/A	N/A	0.96	105
IM-03-X6-H240	240	1	60	3	3888	16.2	4	0.38	42	2	0.76	84	N/A	N/A	1.14	126
IM-04-X3-H240	240	1	60	4	2376	9.9	4	0.19	21	3	0.57	63	N/A	N/A	0.76	84
IM-04-X4-H240	240	1	60	4	3336	13.9	4	0.26	28	3	0.78	84	N/A	N/A	1.04	112
IM-04-X5-H240	240	1	60	4	4296	17.9	4	0.32	35	3	0.96	105	N/A	N/A	1.28	140
IM-04-X6-H240	240	1	60	4	5208	21.7	4	0.38	42	3	1.14	126	N/A	N/A	1.52	168
IM-05-X3-H240	240	1	60	5	2952	12.3	4	0.19	21	4	0.76	84	N/A	N/A	0.95	105
IM-05-X4-H240	240	1	60	5	4176	17.4	4	0.26	28	4	1.04	112	N/A	N/A	1.30	140
IM-05-X5-H240	240	1	60	5	5376	22.4	4	0.32	35	4	1.28	140	N/A	N/A	1.60	175
IM-05-X6-H240	240	1	60	5	6480	27	4	0.38	42	4	1.52	168	N/A	N/A	1.90	210
IM-05-X8-H240	240	1	60	5	8352	34.8	4	0.52	56	4	2.08	224	N/A	N/A	2.60	280

LEGEND

N/A	-	NOT AVAILABLE
TBD	-	TO BE DETERMINED
SBO	-	SUPPLIED BY OTHERS
EXTERNAL END PANEL WIDTH KEY		
# OF END PNLs	END PNL WIDTH (IN)	TOTAL ADDED LENGTH (IN)
1	1.125	1.125
2	1.125	2.25

MODULE NOMENCLATURE KEY:

IM	=	ISLA MODULE
*** 03	=	3 HEATED LEVELS 50" HIGH W/ +8" BASE
*** 04	=	4 HEATED LEVELS 50" HIGH
*** 05	=	5 HEATED LEVELS; 58" HIGH
* C, E, I	=	CENTER, END or INLINE CASE
(#)	=	(MODULE LENGTH IN FEET)
H	=	HOT SELF SERVICE MULTIDECK
EXAMPLE	=	IM-04-ES-H = ISLA MODULE, 50" HIGH, END 5' WIDE, HOT SELF-SERVICE MULTI-DECK

* X = C, E, I C = CENTER, E = END, I = INLINE

** INCLUDES GROUND WIRE

*** TOTAL HEATED LEVELS = # ROWS OF SHELVES + BOTTOM WARMING SURFACE

OPTIONS/NOTES:

- NOTE: CASE WIDTH INCLUDES END PANELS WITH OPTIONAL INTERIOR END PANELS
- NOTE: CASES MUST BE GROUNDED
- NOTE: LED LIGHTS ARE NOT AVAILABLE ON HOT CASES AT THIS TIME.
- NOTE: FOR TOTAL ELECTRICAL LOADS ADD LIGHT AMPS HOT LEVEL AMPS.

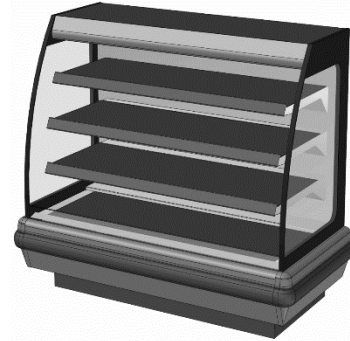
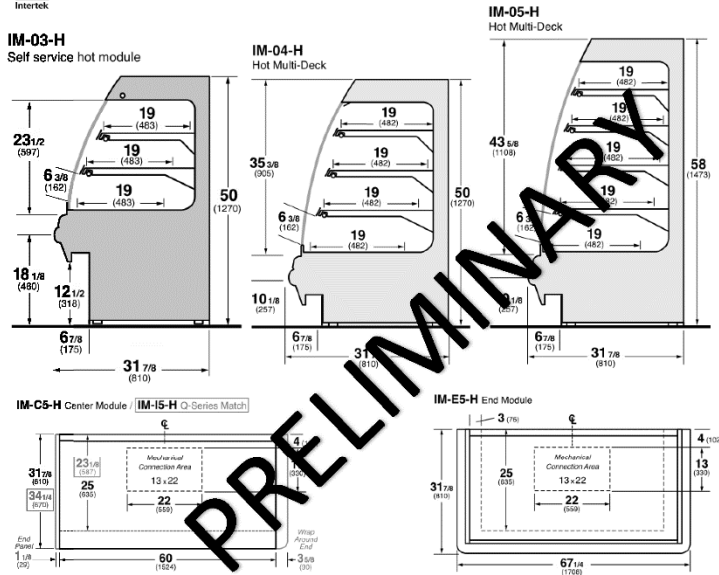
General Instructions Cont'd

CROSS SECTIONS, PLAN VIEWS, DATA SHEET W/LED'S



SELF SERVICE MULTI-DECK HOT CASE w/LED LIGHTS
 HUSSMANN - IM - 0(3, 4, 5) - (X*)(3, 4, 5, 6) - H (CHINO)

9/24/2025



PRELIMINARY

ELECTRICAL DATA:

208 VOLT MODELS *	VOLTS	PH	HZ	TOTAL HOT LEVELS ***	WATTS	AMPS	WIRES **	LED LIGHTS			NEMA PLUG
								# ROWS	AMPS	WATTS	
IM-03-X3-H208	208	1	60	3	1768	8.5	4	3	0.09	9	L14-20P
IM-03-X4-H208	208	1	60	3	2413	11.8	4	3	0.13	14	L14-20P
IM-03-X5-H208	208	1	60	3	N/A	N/A	4	3	N/A	N/A	N/A
IM-03-X6-H208	208	1	60	3	3723	17.9	4	3	0.19	21	L14-30P
IM-03-X8-H208	208	1	60	3	4805	23.1	4	3	0.26	28	L14-30P
IM-04-X2-H208	208	1	60	4	1519	7.3	4	4	0.07	7	L14-20P
IM-04-X3-H208	208	1	60	4	1686	8.1	4	4	0.10	11	L14-20P
IM-04-X4-H208	208	1	60	4	3328	16	4	4	0.38	41	L14-30P
IM-04-X5-H208	208	1	60	4	3349	16.1	4	4	0.23	25	L14-30P
IM-04-X6-H208	208	1	60	4	4971	23.9	4	4	0.25	28	CS-6365-C
IM-04-X8-H208	208	1	60	4	6392	30.7	4	4	0.33	36	CS-6365-C
IM-05-X3-H208	208	1	60	5	2122	10.2	4	5	0.13	14	L14-30P
IM-05-X4-H208	208	1	60	5	3994	19.2	4	5	0.20	22	L14-30P
IM-05-X5-H208	208	1	60	5	5137	24.7	4	5	0.28	31	CS-6365-C
IM-05-X6-H208	208	1	60	5	8323	30.4	4	5	0.32	34	CS-6365-C
IM-05-X8-H208	208	1	60	5	7988	38.4	4	5	N/A	N/A	CS-6365-C

240 VOLT MODELS *	VOLTS	PH	HZ	TOTAL HOT LEVELS ***	WATTS	AMPS	WIRES **	LED LIGHTS			NEMA PLUG
								# ROWS	AMPS	WATTS	
IM-03-X3-H240	240	1	60	3	2040	8.5	4	3	0.09	9	L14-20P
IM-03-X4-H240	240	1	60	3	2784	11.5	4	3	0.13	14	L14-20P
IM-03-X5-H240	240	1	60	3	2760	11.5	4	3	0.13	14	L14-20P
IM-03-X6-H240	240	1	60	3	4296	17.9	4	3	0.19	21	L14-30P
IM-03-X8-H240	240	1	60	3	5644	23.1	4	3	0.26	28	L14-30P
IM-04-X2-H240	240	1	60	4	1753	7.3	4	4	0.07	7	L14-20P
IM-04-X3-H240	240	1	60	4	1944	8.1	4	4	0.10	11	L14-20P
IM-04-X4-H240	240	1	60	4	3840	16	4	4	0.38	41	L14-30P
IM-04-X5-H240	240	1	60	4	3864	16.1	4	4	0.23	25	L14-30P
IM-04-X6-H240	240	1	60	4	5736	23.9	4	4	0.33	36	CS-6365-C
IM-04-X8-H240	240	1	60	4	7375	30.8	4	4	0.33	36	CS-6365-C
IM-05-X3-H240	240	1	60	5	2448	10.2	4	5	0.13	14	L14-30P
IM-05-X4-H240	240	1	60	5	4608	19.2	4	5	0.20	22	L14-30P
IM-05-X5-H240	240	1	60	5	5927	24.7	4	5	0.28	31	CS-6365-C
IM-05-X6-H240	240	1	60	5	7295	30.4	4	5	0.32	34	CS-6365-C
IM-05-X8-H240	240	1	60	5	9217	38.4	4	5	N/A	N/A	CS-6365-C

* X = C, E, I C = CENTER, E = END, I = INLINE
 ** INCLUDES GROUND WIRE
 *** TOTAL HEATED LEVELS = # ROWS OF SHELVES + BOTTOM WARMING SURFACE

LEGEND		
N/A -	NOT AVAILABLE	
TBD -	TO BE DETERMINED	
SBO -	SUPPLIED BY OTHERS	
EXTERNAL END PANEL WIDTH KEY		
# OF END PNLS	END PNL WIDTH (IN.)	TOTAL ADDED LENGTH
1	1.125	1.125
2	1.125	2.25

MODULE NOMENCLATURE KEY:		
IM =	ISLA MODULE	
*** 03 =	3 HEATED LEVELS HIGH W/ +8" BASE	60"
*** 04 =	4 HEATED LEVELS HIGH	50"
*** 05 =	5 HEATED LEVELS; HIGH	58"
* C, E, I =	CENTER, END or INLINE CASE	
(#) =	(MODULE LENGTH IN FEET)	
H =	HOT SELF SERVICE MULTIDECK	
EXAMPLE	IM-04-E5-H =	ISLA MODULE, 50" HIGH, END 5" WIDE, HOT SELF-SERVICE MULTI-DECK

- OPTIONS/NOTES:**
- NOTE: CASE WIDTH INCLUDES END PANELS WITH OPTIONAL INTERIOR END PANELS
 - NOTE: CASES MUST BE GROUNDED
 - NOTE: LED LIGHTS ARE NOT AVAILABLE ON HOT CASES AT THIS TIME.
 - NOTE: FOR TOTAL ELECTRICAL LOADS ADD LIGHT AMPS HOT LEVEL AMPS.

2. Installation

NOTE: READ ENTIRE INSTALLATION SECTION PRIOR TO BEGINNING INSTALL

UNLOADING CASES FROM TRAILER

To protect the case and its base from damage and make positioning the case easier, each merchandiser can be shipped differently, depending on the original order request. Your case(s) could be on a skid, rails, crated and skidded, or just blanket wrapped.

Improper handling may cause damage to the merchandiser when unloading. To avoid damage:

1. Do not drag the merchandiser out of the trailer. Use a Johnson bar (mule, aka J-bar), a dolly or a forklift.
2. Use one or two dollies depending on length of the case to remove the merchandiser from the trailer.
3. Use one to two dollies to relocate the merchandisers to the lineup.

NOTE:

When lifting case, be sure to lift case from a point on *case body*. Improper lifting may damage factory-installed end panels.

See Following Diagramed Pages

REMOVING SHIPPING SKID AND/OR CRATE

DO NOT TILT or LAY MERCHANDISER ON ITS SIDE.

1. Check floor where cases are to be set to see if it is a level area. Determine the highest part of the floor.
2. If the case is crated, unscrew/remove nails from **one (1) of the walls** of the crate, leaving three (3) sides and the top of the crate.
3. Then unscrew/remove the nails from around the base of the crate (frame), releasing it from the skid.

HUSSMANN CORPORATION • BRIDGETON, MO 63044-2483 U.S.A.

4. CAREFULLY remove/slide away the remaining 3 walls and top of the crate. (body panels should be on the case, but if they are not, carefully remove and set aside in safe place so as not to be damaged/scratched)
5. Remove any braces/L-brackets attaching the merchandiser to the skid.
6. Remove the merchandiser from skid, by lifting only at base of case, using the case's rails!
7. Once the case is removed from the skid, the merchandiser must be lifted **—NOT PUSHED—** to reposition.



HUSSMANN AND HATCO SERIAL PLATE LOCATIONS

DOCUMENT ALL SERIAL NUMBERS PRIOR TO HEATING!

Depending what type of case ordered (with or without rear doors on the back of the case), the Hussmann serial plate is either located:

1. (no rear on back) the top FRONT left-hand interior rear wall
2. (with rear loading doors) in the lower left corner on the BACK of the case.

Make note of the case's serial number in the area provided at the end of this guide.

HATCO serial numbers for each of the surface warmers are located under each warmer.

Document the serial numbers in the space provided at the end of this guide.

EXTERIOR INFORMATION

Do **NOT** walk on top of or inside of merchandisers or damage to the merchandisers and serious personal injury could occur. **They are not structurally designed to support excessive external loading such as the weight of a person.**

Do not place flammable materials or objects on top of the merchandiser.

Hot Merchandiser
ISLA IM-H

Installation (Cont'd)

ENVIRONMENTAL LOCATION

These merchandisers have been designed for use only in air conditioned stores where temperature and humidity are maintained at or below 75°F and 55% relative humidity. DO NOT allow air conditioning, electric fans, ovens, open doors or windows (etc.) to create air currents around the merchandiser, as this will impair its correct operation.

UNCRATING

Place the fixture as close to its permanent position as possible. Remove the top of the crate. Detach the walls from each other and remove from the skid. Unbolt the case from the skid. The fixture can now be lifted off the crate skid. Lift only at base of stand! (see following pages for details)

EXTERIOR LOADING

These models have not been structurally designed to support excessive external loading. Do not walk on their tops; This could cause serious personal injury and damage to the fixture.

SETTING AND JOINING

The sectional construction of these models enable them to be joined in line to give the effect of one continuous display. A joint trim kit is supplied with each joint.



**ATTENTION
INSTALLER**

It is the contractor's responsibility to install case(s) according to local construction and health codes.

LEVELING

IMPORTANT! IT IS IMPERATIVE THAT CASES BE LEVELED FROM FRONT TO BACK AND SIDE TO SIDE PRIOR TO JOINING. A LEVEL CASE IS NECESSARY TO INSURE PROPER OPERATION,

WATER DRAINAGE, GLASS ALIGNMENT AND OPERATION OF THE HINGES SUPPORTING THE GLASS. LEVELING THE CASE CORRECTLY WILL SOLVE MOST HINGE OPERATION PROBLEMS.

Note:

- A. To avoid removing concrete flooring, begin lineup leveling from the highest point of the store floor.
- B. When wedges are involved in a lineup, set them first.



TO AVOID REMOVING CONCRETE FLOORING, BEGIN LINEUP LEVELING FROM THE HIGHEST POINT OF THE STORE FLOOR.

Levelling/Joining Instructions

Check floor where cases are to be set to see if it's level. Determine where the highest part of the floor is. Cases will be shimmed off this point. Using case blueprints, measure off and mark on floor the exact dimensions of the case footprint. Snap chalk line for front and back position of base rail. Mark location of each joint front and back. Use a transit to find the highest point along both lines. Mark the difference, and place the appropriate number of shims.

FLOORS ARE NOT LEVEL!!!

When working with two or more merchandisers to be joined, the whole lineup must be leveled on the same plane, left to right and front to back. This means that the entire lineup must be brought up to the level of the highest case in the lineup.

Along the lines previously marked, find the highest point of the floor by:

- Walking the floor and noticing any dips or mounds;
- Using a string level; and
- Using a transit.

Installation (Cont'd)

ISLA BODY PANEL REMOVAL AND INSTALLATION

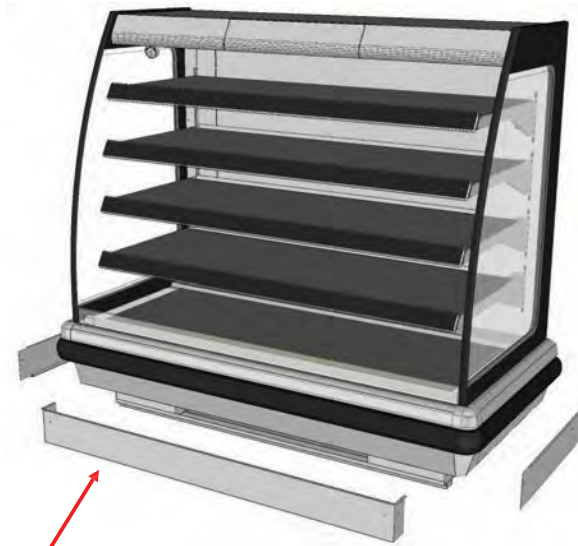
Transportation:

All Lower and Bottom Body panels on the ISLA should be removed for extended transportation (jacking, lifting, crating, etc.)

Service:

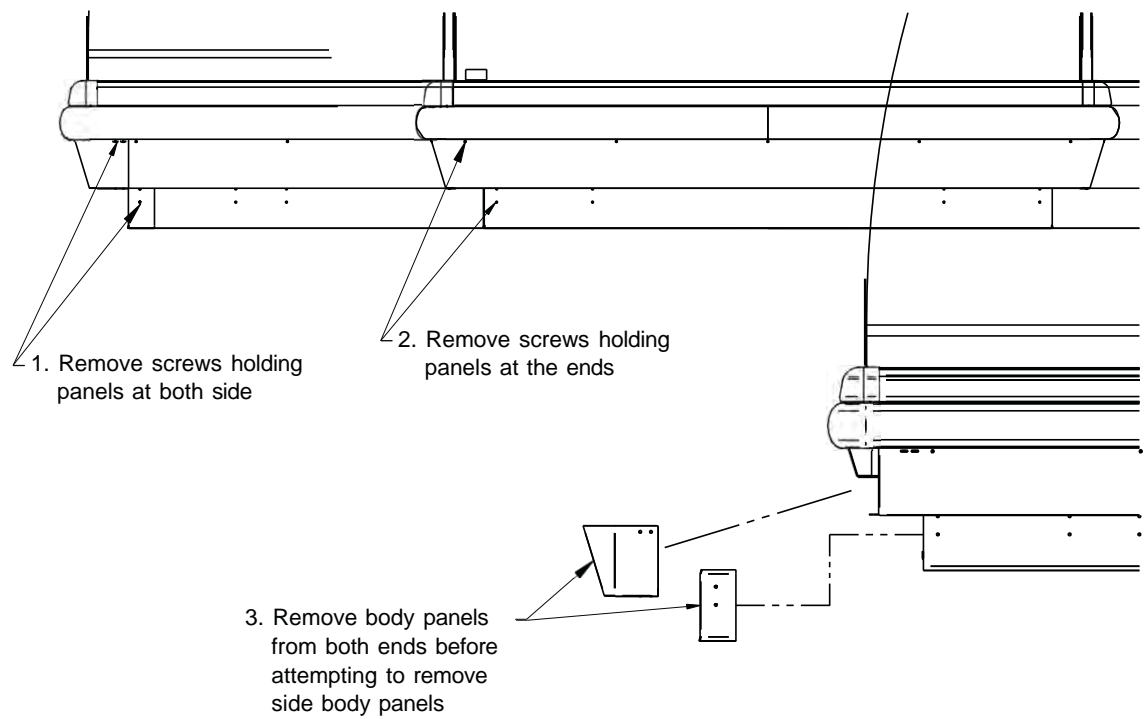
For most service applications (electrical), only the Bottom Body panels need removal. Removing both panels may be more convenient.

Note: The Bumper and Price Tag Extrusion should only be serviced by a trained installation professional. Incorrect servicing will result in damage.

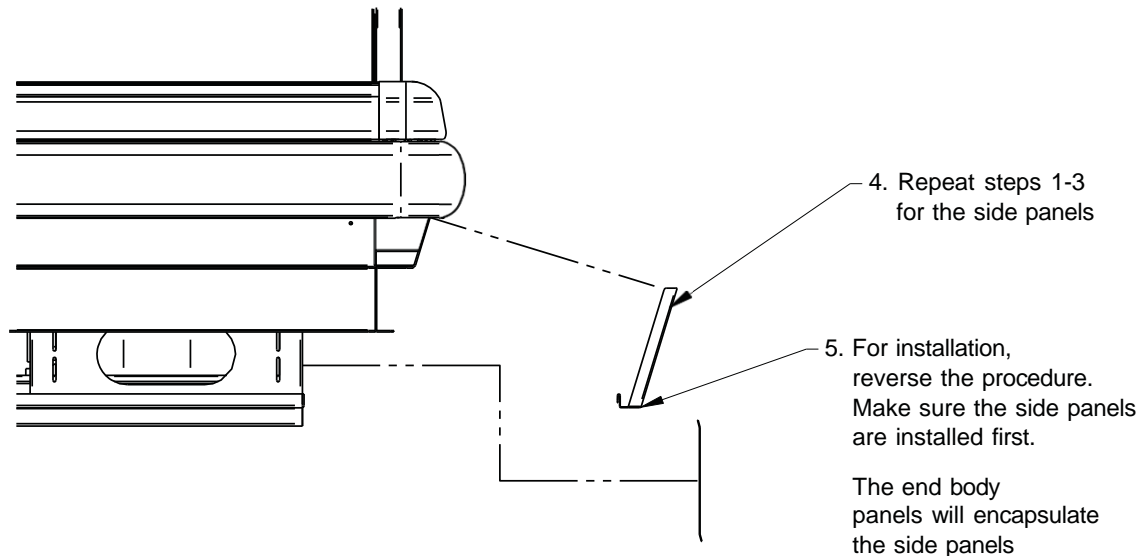


Close-offs are shipped loose and must be assembled by installer.

Installation (Cont'd)



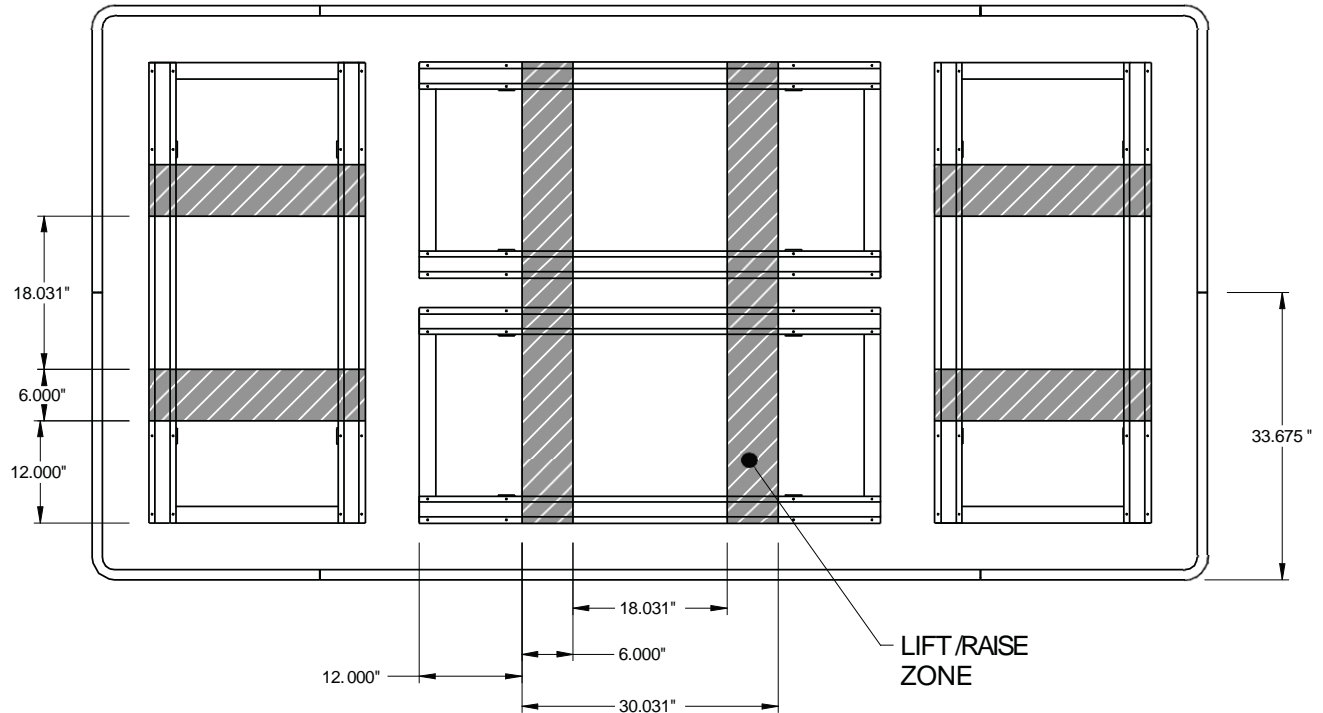
Note: The Lower and Bottom body panels can be removed independent of each other



Note that lower side of the lower body panels must be properly placed around mounting surface to ensure proper fit.

Installation (Cont'd)

ISLA LIFTING AND TRANSPORT INSTRUCTIONS



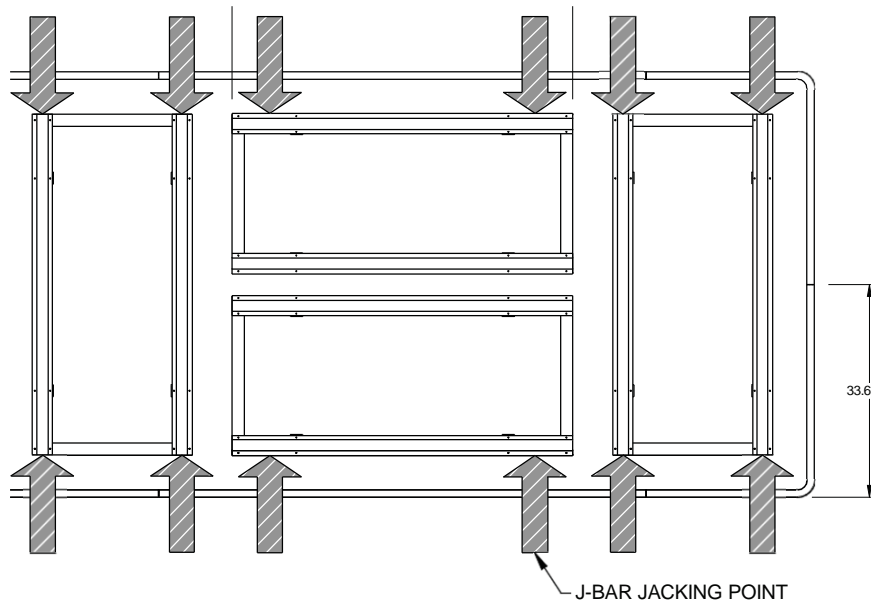
1. The ISLA can be lifted by a forklift only at the specified location in the diagram



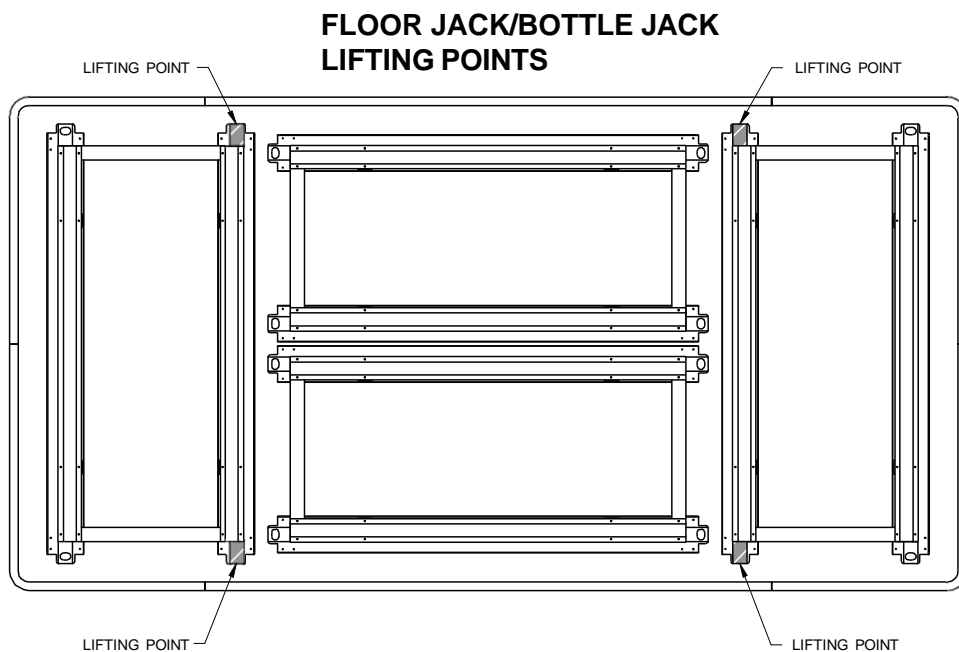
Improper placement of forks may damage items under the case. Use a spotter when placing forks. Make sure that electrical, etc. items will not be damaged. Use J-Bars or Jacks if Forks can not be used safely

2. Remove close-offs and lower body panels before lifting with a forklift. Serious damage will occur if the body panels are not removed.
 - Remove the end case lower and bottom panels first
 - Then remove the side case lower and bottom panels
 - A Phillips head screwdriver/drill is needed for lower and bottom panel removal
3. Make sure that fork spacing and width will not damage electrical lines
4. Be sure that the forks are long enough to support beyond the center of the case. Check for proper balance before moving. A minimum fork length of 36" is recommended for 68" wide cases
5. The ISLA can be raised at one end with a forklift to allow the placement of rollers or dollies. See figure on page next page for J-bar and jacking instructions
6. Never drag or push the ISLA by ANY COMPONENT including ANY GLASS COMPONENT. This will result in damage to the base, and possibly damage to other components
7. Evenly support the entire base structure on rollers or dollies before attempting to move.

Installation (Cont'd)



8. If using J-Bars, use the specified jacking points to raise the case
- Raise one side of the case first.
 - Use as many J-Bars as possible to lift from the base channels
 - A minimum of 2 J-Bars is required
 - Place Dollies and chock wheels before lifting the other side. Be sure that the dollies are evenly spaced to carry to weight of the case



9. If using Floor-jacks or Bottle-jacks, use the recommended lifting points located at the underside of the case
- These points will be visible channels
 - Lift simultaneously to place dollies or rolle

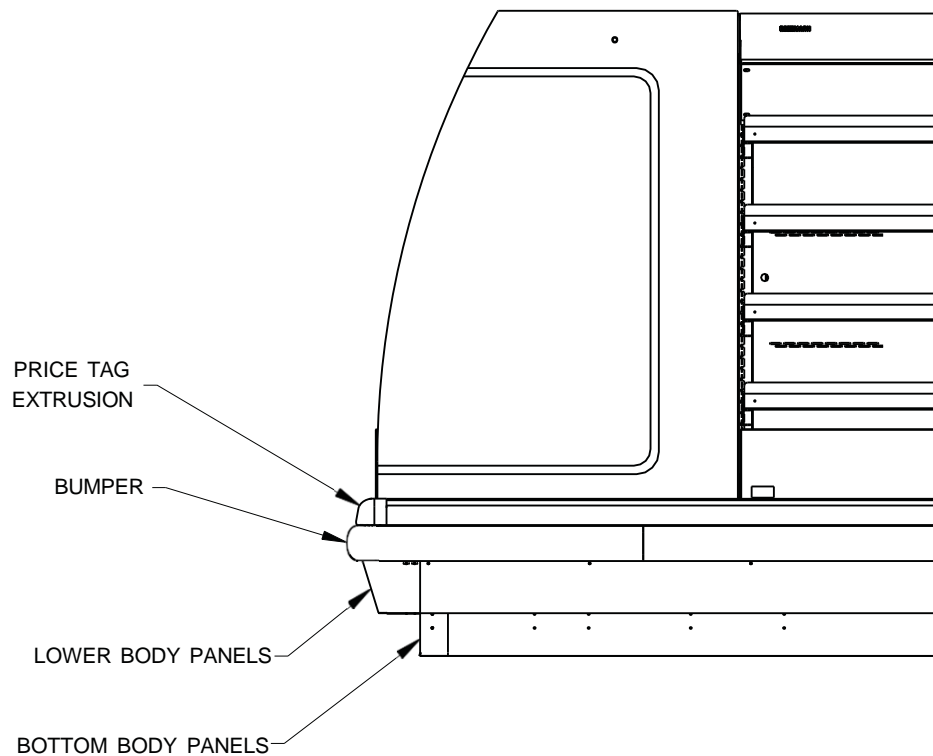
Installation (Cont'd)



1. Do Not Push, Pull, Adjust, or Manipulate the ISLA case by any glass component.
 - Doing so will result in severe damage to such components
 - Glass Breakage may result in serious injury
 - See lifting and transport instructions for proper moving technique
2. Never stand on the ISLA Top, Deck, or any Shelves for any reason.

These surfaces are not steps and are not designed to support such loads.

 - Misusing these surfaces as steps will result in damage to the case
 - Misusing these surfaces as steps may result in serious injury to the user
 - These surfaces are intended for the storage and merchandising of food products
 - Use a ladder or designed structure to work above the case




3. Electrical

WIRING COLOR CODE

<i>Standard Case Wire Color Code</i>	
<u>Color Description</u>	<u>Color</u>
■ Ground	Green
■ Anti-Sweat	Purple
■ Lights	Orange
■ Receptacles	Yellow
■ T-Stat/Solenoid 230VAC	Red/Black
■ T-Stat/Solenoid 115VAC	White/Black
■ T-Stat/Solenoid 24VAC	Red/White
■ Fan Motors	Brown
Blue Condensing Unit	

Use Copper Conductors Only
430-01-0338 R101003

CASE MUST BE GROUNDED



DANGER

**BEFORE SERVICING
ALWAYS DISCONNECT ELECTRICAL
POWER AT THE MAIN DISCONNECT
WHEN SERVICING OR REPLACING ANY
ELECTRICAL COMPONENT.**

This includes (but not limited to) Heaters and Lights.

ELECTRICAL CIRCUIT IDENTIFICATION

Standard lighting for all models will be full length fluorescent lamps located within the case. The switch controlling the lights is located at the top right of the case.

FIELD WIRING AND SERIAL PLATE AMPERAGE

Field Wiring must be sized for component amperes printed on the serial plate. Actual ampere draw may be less than specified. Most component amperes are listed in the "Wiring Diagram" section, but always check the serial plate.

BALLAST/LED DRIVER LOCATION

Ballasts/LED Drivers are located within the access panel that runs the length of the top of the case

Electrical (Cont'd)

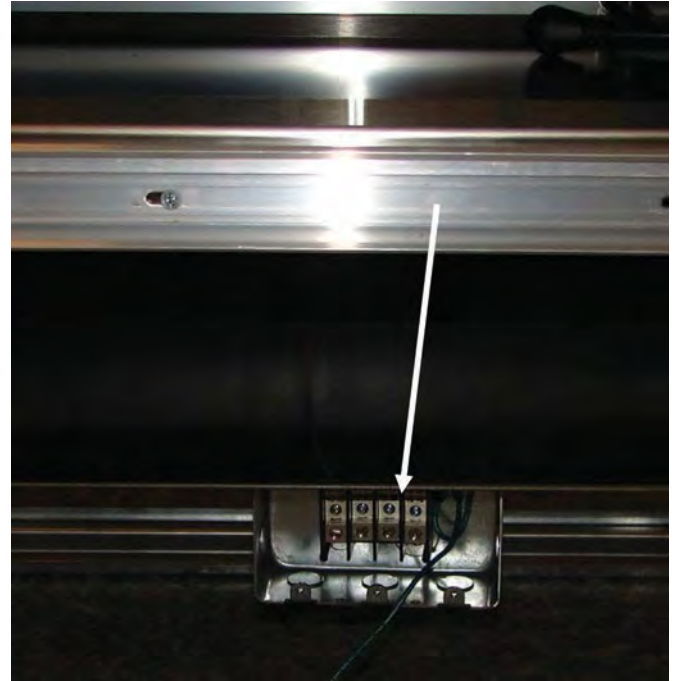
Shelf Connectors

LIGHT RECEPTACLE (LEFT SIDE OF CASE)

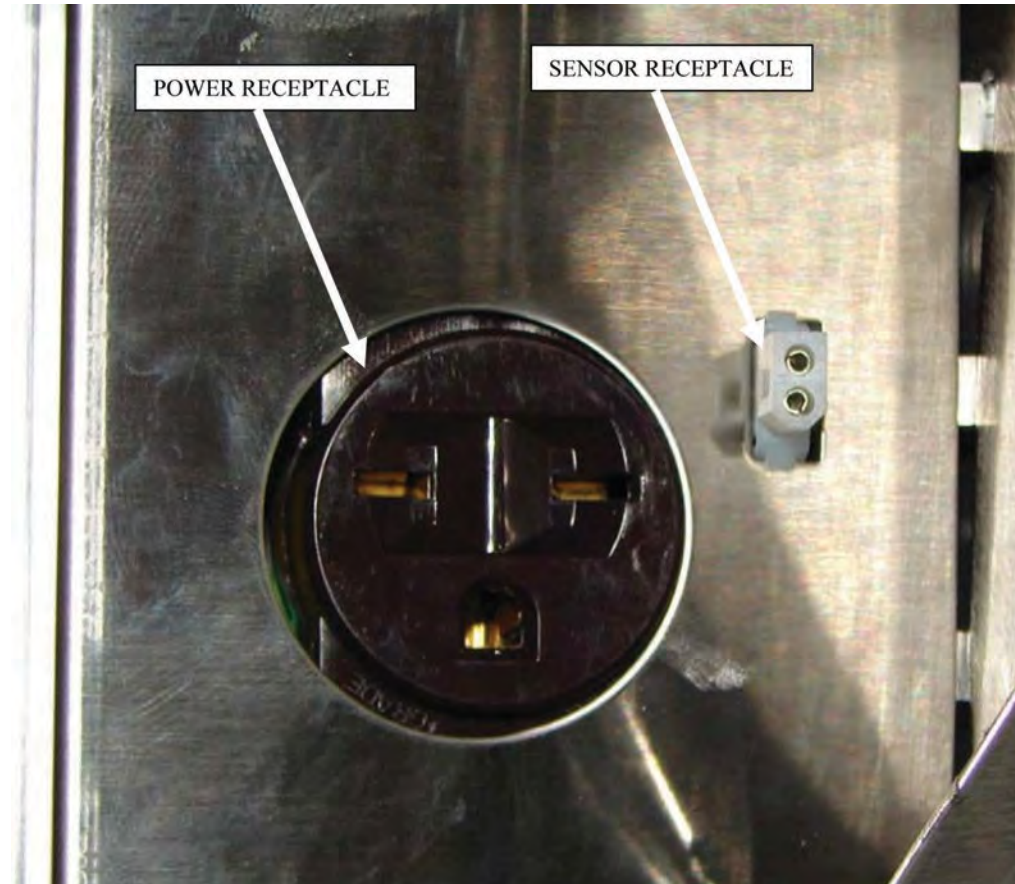


Junction Box Location

BOTTOM FRONT CENTER



POWER/SENSOR RECEPTACLES (RIGHT SIDE OF CASE)



4. Operation

STARTUP INSTRUCTIONS

1. Turn Power to ON
2. Preheat merchandiser for 10 minutes before loading.
3. Load fully cooked / heated foods only (internal product temperatures > 160°F). **Case is not designed to heat food.**
4. Use only approved hot food containers in direct contact with shelves; Do NOT stack containers.
5. Check internal product temperature periodically, using a pocket food thermometer.
6. Adjust *SHELF-Setpoint as needed to maintain ideal Internal Product Temperatures:
 - (1) Press SET key,
 - (2) Press UP ARROW / DOWN ARROW keys to change *SHELFSetpoint,
 - (3) Press SET key again.
 - When increasing *SHELF-temperatures, heat food in a separate cooking/warming oven, then reload.

- Adjust SHELF-Setpoint as needed to maintain ideal Internal Product Temperatures:
 - (1) Press SET key,
 - (2) Press UP ARROW / DOWN ARROW keys to change *SHELF-Setpoint,
 - (3) Press SET key again.
 - (4) When increasing SHELF-temperatures, heat food in a separate cooking/warming oven, then reload.
- Temperature controls should be adjusted to the lowest possible setting that will maintain proper internal product temperature.
- See troubleshooting guide if, after adjustment, pre-heated product does not maintain regulatory temperature.

NOTES:

- * **Controller temperature indicates SHELF-temperature only (not Internal product temperature).**
- **Shelves are pre-set to 185°F, suitable for many foods in approved containers. Do not overheat as containers may melt.**
- **Refer to Instruction Manual for detailed operating instructions.**
- **Refer to NSF- and local- regulations for internal product temperature requirements.**
- **SERVICE: Review the Trouble Shooting Guide in this manual. For heated component failures, contact HATCO Parts and Service at 800-558-0607.**

Operation

- Food must be preheated BEFORE loading; this case MUST NOT be used to cook or heat product.
- Check Internal Product Temperatures (IPTs) periodically with a portable food thermometer
- Do not stack containers.
- Be careful not to overheat as containers may melt.
- When restocking, rotate food products: oldest foods should be placed in front and served first.
- Wipe spills immediately to maintain product freshness, minimize odors, reduce end-of-day cleanup (See Maintenance Section).

Adjustment

- Use a pocket food thermometer regularly to check internal product temperatures.
- Before adjusting shelf temperatures, ensure only pre-heated foods are being loaded into the case.
- Shelves are pre-set to 185°F, suitable for many food and container types.

HOLDING TEMPERATURE GUIDE

- Food must be preheated **BEFORE** loading the case; the case must not be used to heat product.
- Always consult local health and sanitation regulations for internal product temperature and holding requirements.
- Holding Temperatures listed below are internal product temperatures, and are guidelines only.

HOLDING TEMPERATURE GUIDELINES	
* Internal Product Temperatures (IPT)	
MEAT	*IPT
STEAKS - Broiled/Fried	140° - 160°F
RIBS - Beef or Pork	160°F
VEAL	160° - 175°F
HAM	160° - 175°F
PORK	160° - 175°F
CHICKEN / POULTRY	160° - 175°F
TURKEY	160° - 175°F
FISH/SEAFOOD	
FISH - Baked/Fried	160° - 175°F
LOBSTER	160° - 175°F
SHRIMP - Fried	160° - 175°F
MISCELLANEOUS	
CASSEROLES	160° - 175°F
PASTA	160° - 180°F
PIZZA	160° - 180°F
POTATOES	180°F
PLATED MEALS	140° - 165°F
VEGETABLES	160° - 175°F

Operation Cont'd

INSTRUCTION SHEET FOR HEATED SHELVES

Use the instructions below to operate the controls for a unit with multiple heated shelves. The controls are located in a remote mounted control panel and consist of a Power ON/OFF switch and three, four, or five digital temperature controllers, depending on the number of heated shelves in the unit.

Operation

Use the following instructions to operate the controls on a multi-heated shelf control panel.

1. Move the Power ON/OFF switch to the ON position.
 - The digital temperature controllers will energize and the current temperature of each shelf will appear on the corresponding display.
 - The phrase "out 1" will appear in the upper left corner of each display to show that the shelves are in heat mode.



BURN HAZARD: Some exterior surfaces on unit will get hot. Use caution when touching these areas.

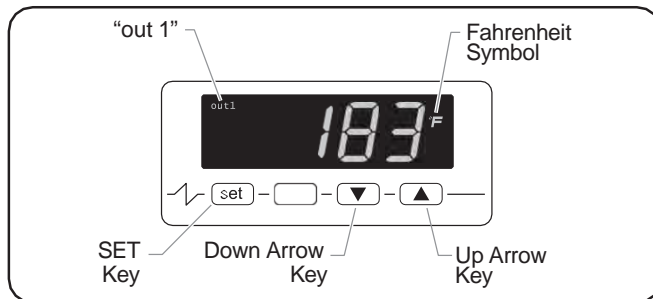


Figure 1. Digital Temperature Controller

2. On each digital temperature controller, press and release the **set** key to verify the setpoint temperatures.
 - The setpoint temperature will be shown for 15 seconds. After 15 seconds, the display will revert to the current temperature of the corresponding shelf. To change a setpoint temperature, refer to the "Changing the Setpoint Temperature" procedure.

NOTE: Once a setpoint temperature is changed, the new setpoint temperature will remain in memory until it is changed again.

3. Allow the heated shelves 10 minutes to reach operating temperature before loading preheated food product.

Changing the Setpoint Temperature

Use the following procedure to change the setpoint temperature on a digital temperature controller.

1. Press and release the **set** key. The current setpoint temperature will be shown on the display and "out 1" will flash in the upper left corner.
2. Press the **▲** key or **▼** key within 15 seconds to change the setpoint temperature. If no key is pressed within 15 seconds, the display will revert to the current temperature of the unit.
3. Press the **set** key or wait 15 seconds to lock in the new setpoint temperature.

Locking/Unlocking a Digital Temperature Controller

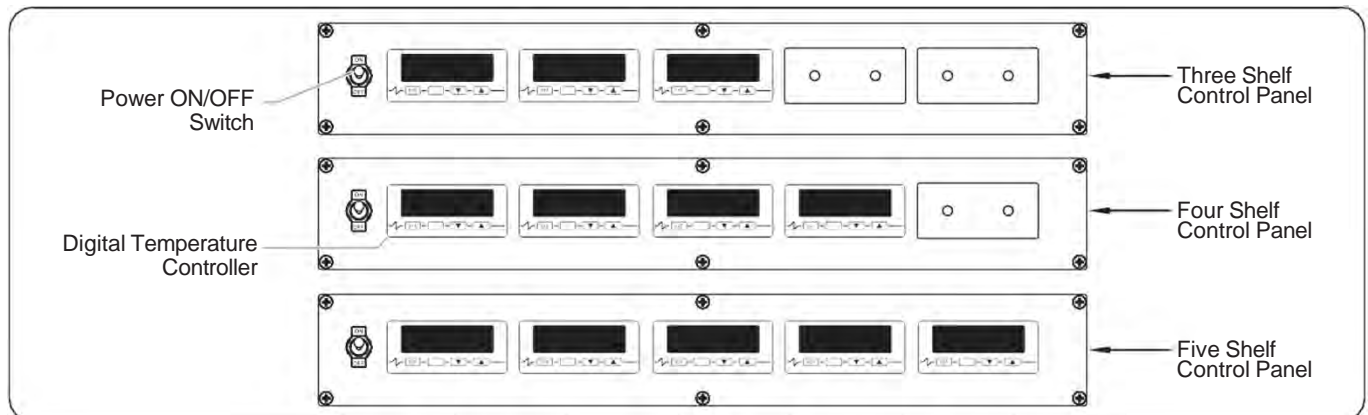
The keys on a digital temperature controller can be locked to prevent unauthorized changes to the settings.

To lock the keys of a digital temperature controller:

- Press and hold both the **set** key and **▼** key at the same time for over two seconds. The message "Loc" will appear on the display.

To unlock the keys of the digital temperature controller:

- Press and hold both the **set** key and **▼** key at the same time until the message "UnL" appears on the display.



Controller temperature indicates *SHELF-temperature only (not product temperature)

5. Maintenance

GENERAL

The Hatco surface warmers are designed for maximum durability and performance with minimum maintenance.



ELECTRIC SHOCK HAZARD:

Turn the power switch **OFF**, unplug the power cord, and allow the unit to cool before performing any maintenance or cleaning. **DO NOT** submerge or saturate with water. Unit is not waterproof. Do not operate if unit has been submerged or saturated with water

GENERAL CLEANING DIRECTIONS

To preserve the finish of the Hatco surface warmer, it is recommended that the surfaces **BE CLEANED A MINIMUM OF ONCE A DAY** - or per your company recommendations - which is typically more often than once a day.

NOTICE

Use non-abrasive cleaners only. Abrasive cleaners could scratch the finish of the unit, marring its appearance and making it susceptible to soil accumulation.

CLEANING INSTRUCTIONS

1. Turn temperature control knobs to **OFF** position.
2. **ALLOW SURFACES TO COOL BEFORE HANDLING.**
3. Using a soft cloth, clean with a **non-abrasive, food zone** safe cleaner. A mixture of 50% water and 50% white vinegar is recommended. Do not use flavored vinegar.
5. Difficult to reach areas should be cleaned with a small nylon brush and vinegar/water mixture.
4. **ALWAYS** Rinse with clean water and immediately dry after cleaning.
5. Clean frequently and regularly.
6. Remove surface spills immediately with a damp cloth.

STAINLESS STEEL CLEANING AND CARE

There are three basic things which can break down your stainless steel's passivity layer and allow corrosion.

AVOID the following:

1. Mechanical Abrasion

Mechanical abrasion means those things that will scratch the steel's surface. Steel pads, wire brushes, abrasive cleaners, and scrapers are prime examples.

2. Water

Water comes out of our tap in varying degrees of hardness. Depending on what part of the country you live in, you may have hard or soft water. Hard water may leave spots. Also, when heated, hard water leaves deposits behind that if left to sit, will break down the passive layer and rust your stainless steel. Never leave water on stainless steel surfaces.

Other deposits from food preparation and service must be properly removed.

3. Chlorides

Chlorides are found nearly everywhere. They are in water, food and table salt. One of the worst perpetrators of chlorides can come from household and industrial cleaners.

Don't Despair! Here are a few steps that can help prevent stainless steel rust.

1. Use the Proper Tools

When cleaning your stainless steel products, take care to use non-abrasive tools. Soft clothes and plastic scouring pads will **NOT** harm the steel's passive layer.

Again, we recommend using a mixture of 50% water and 50% white vinegar (do not use flavored vinegar) and a soft cloth. Rinse with water and immediately dry with soft cloth.

2. Clean With the Polish Lines

Some stainless steels come with visible polishing lines or "grain". When visible lines are present, you should **ALWAYS** wipe in a motion that is parallel to them. When the grain cannot be seen, play it safe and use a soft cloth or plastic scouring pad.

3. Use Alkaline or Non-Chloride Cleaners

While many traditional cleaners are loaded with chlorides, the industry is providing an ever increasing choice of non-chloride cleaners. If you are not sure of your cleaner's chloride content, contact your cleaner supplier. If they tell you that your present cleaner contains chlorides, ask for an alternative. Also, avoid cleaners containing 'quaternary salts' as they also can attack stainless steel & cause pitting and rusting.

continued on next page....

Maintenance (Cont'd)

continued from previous page....

6. RINSE, RINSE, RINSE

If chlorinated cleaners are used you must rinse, rinse, rinse and wipe dry immediately. The sooner you wipe off standing water, especially when it contains cleaning agents, the better. After wiping the equipment down, allow it to air dry, as oxygen helps maintain the stainless steel's passivity film.

7. Never Use Hydrochloric Acid (Muriatic Acid) on Stainless Steel

CAUTION

CLEANING PRECAUTIONS

- When cleaning:**
- Do not use high pressure water hoses
 - Do not introduce water faster than waste outlet can drain
 - NEVER INTRODUCE WATER ON SELF CONTAINED UNIT WITH AN EVPORATOR FAN
 - NEVER USE A CLEANING OR SANITIZING SOLUTION THAT HAS AN OIL BASE (these will dissolve the butyl sealants) or an AMMONA BASE (this will corrode the copper components of the case)
 - TO PRESERVE THE ATTRACTIVE FINISH:
 - DO USE WATER AND A MILD DETERGENT FOR THE EXTERIOR ONLY
 - DO NOT USE A CHLORINATED CLEANER ON ANY SURFACE
 - DO NOT USE ABRASIVES OR STEEL WOOL SCOURING PADS (these will mar the finish)

6. Electrical Wiring Diagrams (With T5 Lights)

ISLA HOT	IM-03	IM-03-I3-H 208V/240V	3'	W6600037
		IM-03-4-H 208V	4'	W6600014
		IM-03-I4-H (With 30 AMP cord)	4'	W6600011
		IM-03-5-H	5'	W6600028
		IM-03-6-H 240V	6'	W6600013
		IM-03-6-H 208V	6'	W6600009
		IM-03-8-H	8'	W6600039
	IM-04	IM-04-I3-H	4'	W6600061
		IM-04-C4-H	4'	W6600001
		IM-04-4-H (With 30 AMP cord)	4'	W6600007
		IM-04-I5-H 3-PHASE	5'	W6600053
		IM-04-E5-H 230/1/60	5'	W6600005
	IM-05	IM-05-I3-H	3'	W6600036
		IM-05-E5-H	5'	W6600002
		IM-05-C4-H	4'	W6600004
		IM-05-C4-H (With 30 AMP cord)	4'	W6600006
		IM-05-C4-H 3-PHASE	4'	W6600045
	IM-04	IM-04-I6-H	6'	W6600012
	IM-05	IM-05-C6-H	6'	W6600003

CIRCUIT #1

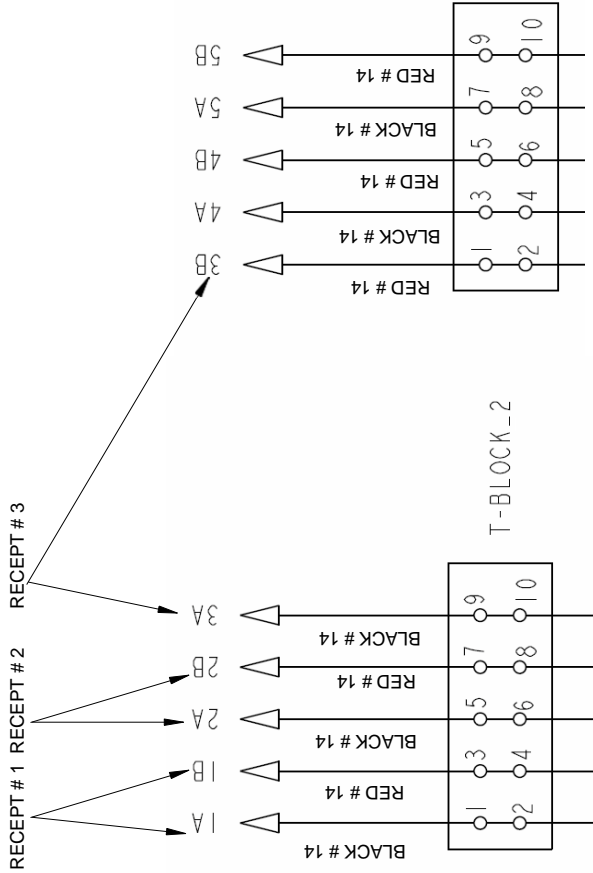
LOADING
208 V
L1 8.5
L2 8.1

NOTE: CASE MUST BE GROUNDED

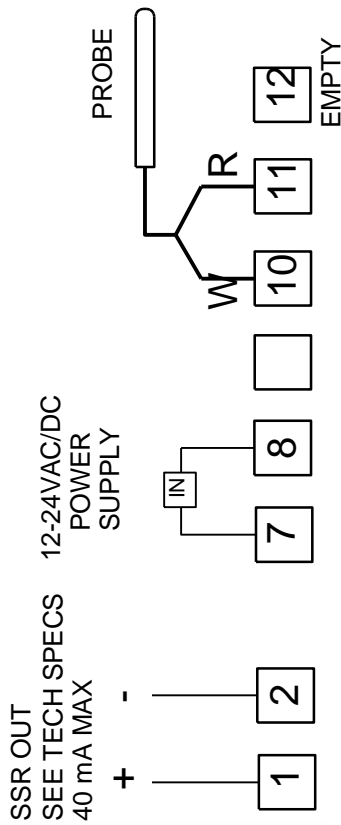
CIRCUIT #1 CONTINUE D

1768W @ 208VAC

HEATER RECEPTACLE WIRING CONTROL PANEL



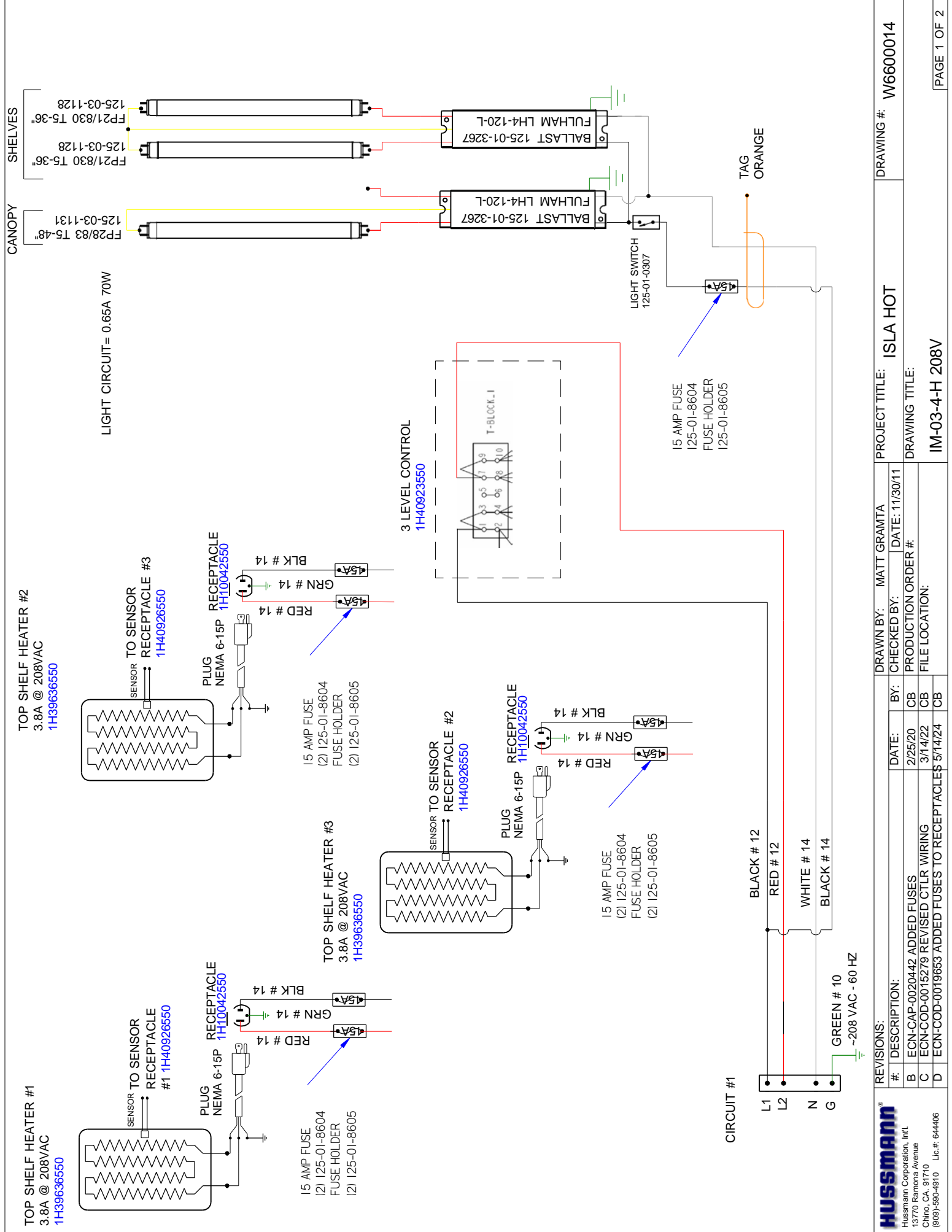
SENSOR RECEPTACLE WIRING CONTROL PANEL



REVISIONS:

#	DESCRIPTION:	DATE:	BY:
D	ECN-COD-0015279 REVISED CTLR WIRING	3/14/22	CB
E	ECN-COD-0016847 REVISED LOADS	12/17/22	CB
F	ECN-COD-0019652 ADDED FUSES TO RECEPT.	5-7-24	CB

DRAWN BY: CRAIG BOOREY	PROJECT TITLE: ISLA HOT	DRAWING #: W6600037
CHECKED BY:	DATE: 6/28/12	
PRODUCTION ORDER #:		
FILE LOCATION:		
	IM-03-13-H 240V	



LIGHT CIRCUIT= 0.65A 70W

TOP SHELF HEATER #2
3.8A @ 208VAC
1H39636550

TOP SHELF HEATER #1
3.8A @ 208VAC
1H39636550

TOP SHELF HEATER #3
3.8A @ 208VAC
1H39636550

15 AMP FUSE
(2) 125-01-8604
FUSE HOLDER
(2) 125-01-8605

15 AMP FUSE
(2) 125-01-8604
FUSE HOLDER
(2) 125-01-8605

15 AMP FUSE
(2) 125-01-8604
FUSE HOLDER
(2) 125-01-8605

3 LEVEL CONTROL
1H40923650

15 AMP FUSE
125-01-8604
FUSE HOLDER
125-01-8605

LIGHT SWITCH
125-01-0307

CIRCUIT #1

BLACK # 12
RED # 12
WHITE # 14
BLACK # 14
GREEN # 10
~208 VAC - 60 HZ

<p>HUSSMANN Hussmann Corporation, Int'l. 13770 Ramona Avenue Chino, CA. 91710 (909)-590-4910 Lic.#: 644406</p>		<p>REVISIONS:</p> <table border="1"> <tr> <th>#</th> <th>DESCRIPTION:</th> <th>DATE:</th> <th>BY:</th> </tr> <tr> <td>B</td> <td>ECN-CAP-0020442 ADDED FUSES</td> <td>2/25/20</td> <td>CB</td> </tr> <tr> <td>C</td> <td>ECN-COD-0015279 REVISED CTRL WIRING</td> <td>3/14/22</td> <td>CB</td> </tr> <tr> <td>D</td> <td>ECN-COD-0019653 ADDED FUSES TO RECEPTACLES</td> <td>5/14/24</td> <td>CB</td> </tr> </table>	#	DESCRIPTION:	DATE:	BY:	B	ECN-CAP-0020442 ADDED FUSES	2/25/20	CB	C	ECN-COD-0015279 REVISED CTRL WIRING	3/14/22	CB	D	ECN-COD-0019653 ADDED FUSES TO RECEPTACLES	5/14/24	CB	<p>DRAWN BY: MATT GRAMTA CHECKED BY: DATE: 11/30/11 PRODUCTION ORDER #: FILE LOCATION:</p>	<p>PROJECT TITLE: ISLA HOT DRAWING TITLE: IM-03-4-H 208V</p>	<p>DRAWING #: W6600014</p>
#	DESCRIPTION:	DATE:	BY:																		
B	ECN-CAP-0020442 ADDED FUSES	2/25/20	CB																		
C	ECN-COD-0015279 REVISED CTRL WIRING	3/14/22	CB																		
D	ECN-COD-0019653 ADDED FUSES TO RECEPTACLES	5/14/24	CB																		

CIRCUIT #1

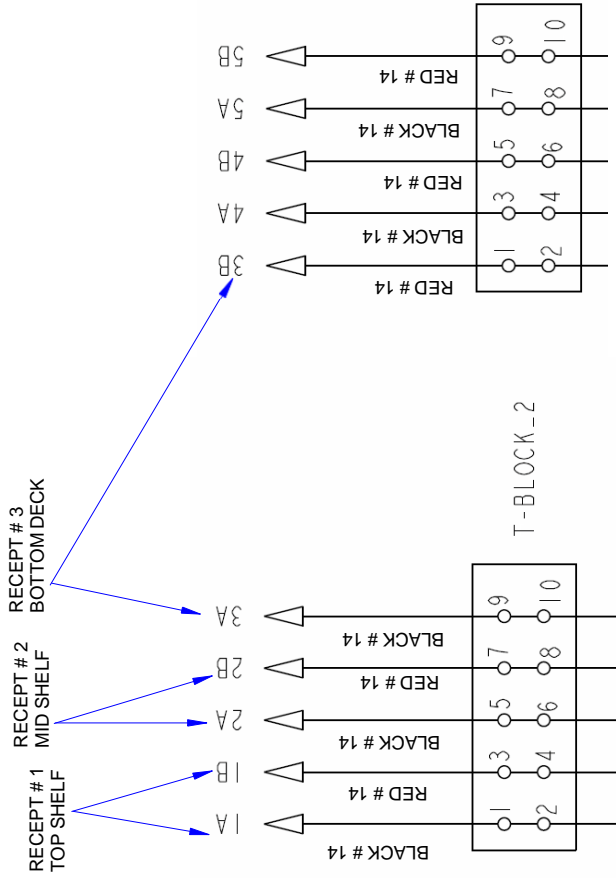
LOADING	
208 V	
L1	12.1
L2	11.4

**CIRCUIT # 1
CONTINUE
D**

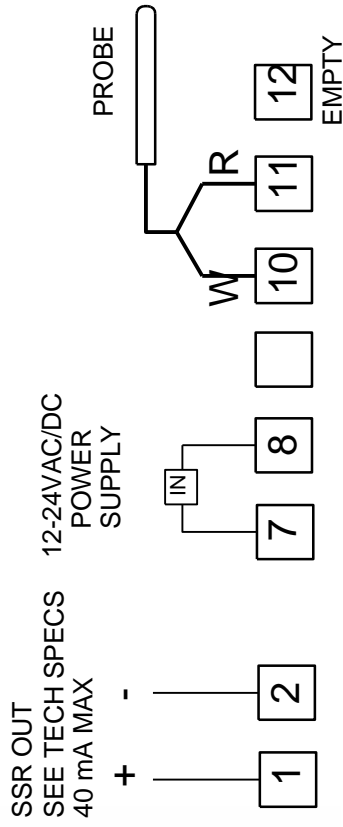
2441W @ 208VAC

**NOTE: CASE MUST
BE GROUNDED**

**HEATER RECEPTACLE WIRING
CONTROL PANEL**



**SENSOR RECEPTACLE WIRING
CONTROL PANEL**



REVISIONS:

#	DESCRIPTION:	DATE:	BY:
B	ECN-CAP-0020442 ADDED FUSES	2/25/20	CB
C	ECN-COD-0015279 REVISED CTRLR WIRING	3/14/22	CB
D	ECN-COD-0019653 ADDED FUSES TO RECEPTACLES	5/14/24	CB

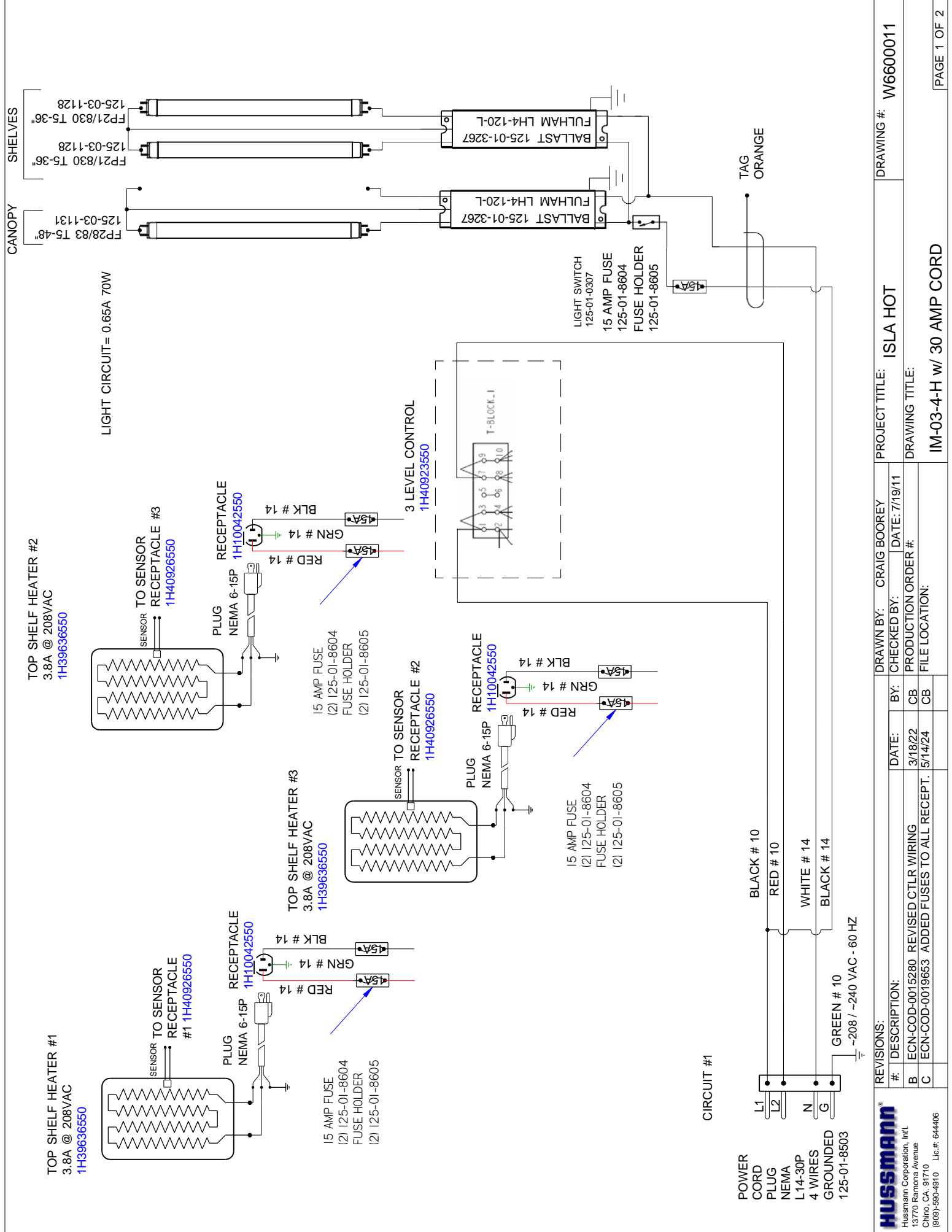
DRAWN BY: MATT GRAMTA

CHECKED BY: DATE: 11/30/11

PRODUCTION ORDER #: FILE LOCATION:

PROJECT TITLE: ISLA HOT

DRAWING TITLE: IM-03-4-H 208V



HUSMANN Husmann Corporation, Intl. 13770 Ramona Avenue Chino, CA. 91710 (909)-590-4910 Lic.#: 644406		REVISIONS:	
#	DESCRIPTION:	DATE:	BY:
B	ECN-COD-0015280 REVISED CTLR WIRING	3/18/22	CB
C	ECN-COD-0019653 ADDED FUSES TO ALL RECEPT.	5/14/24	CB
PROJECT TITLE: ISLA HOT		DRAWN BY: CRAIG BOOREY	
DRAWING TITLE: IM-03-4-H w/ 30 AMP CORD		CHECKED BY:	
DRAWING #: W6600011		DATE: 7/19/11	
FILE LOCATION:		PRODUCTION ORDER #:	
PAGE 1 OF 2		DATE: 5/14/24	

CIRCUIT #1

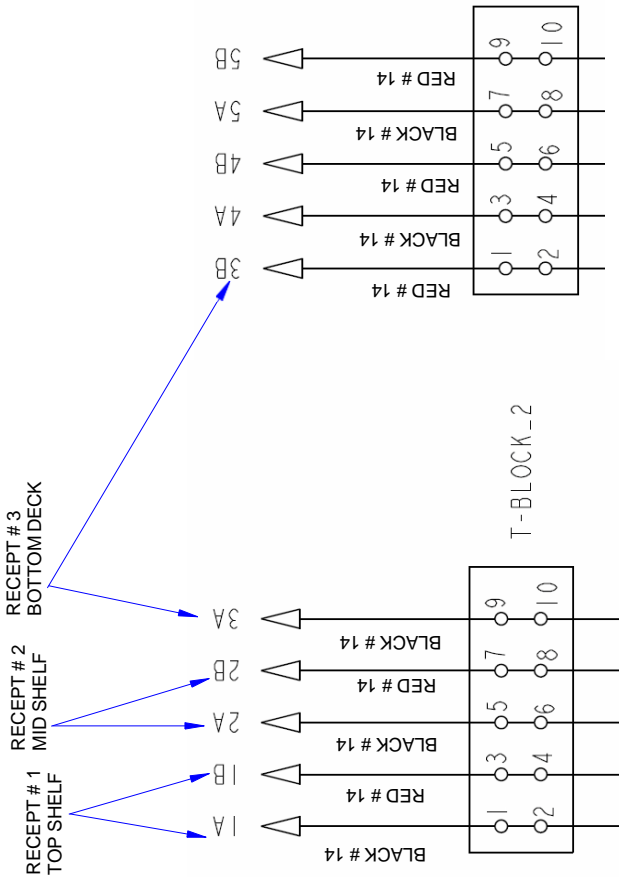
LOADING	
208 V	
L1	12.1
L2	11.4

**CIRCUIT #1
CONTINUE
D**

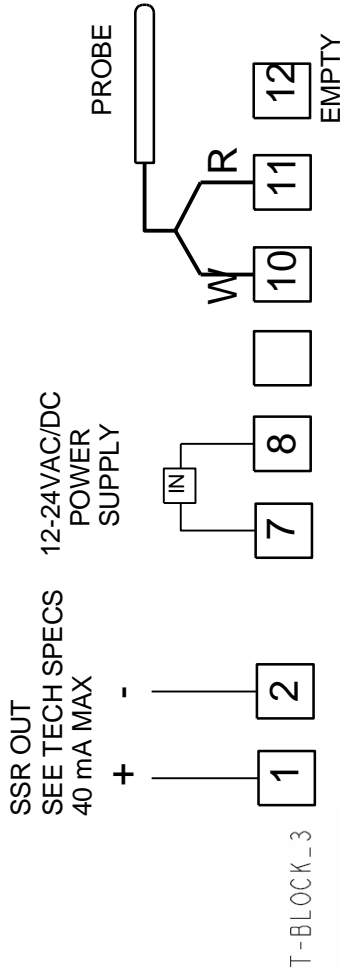
3328W @ 208VAC

**NOTE: CASE MUST
BE GROUNDED**

**HEATER RECEPTACLE WIRING
CONTROL PANEL**



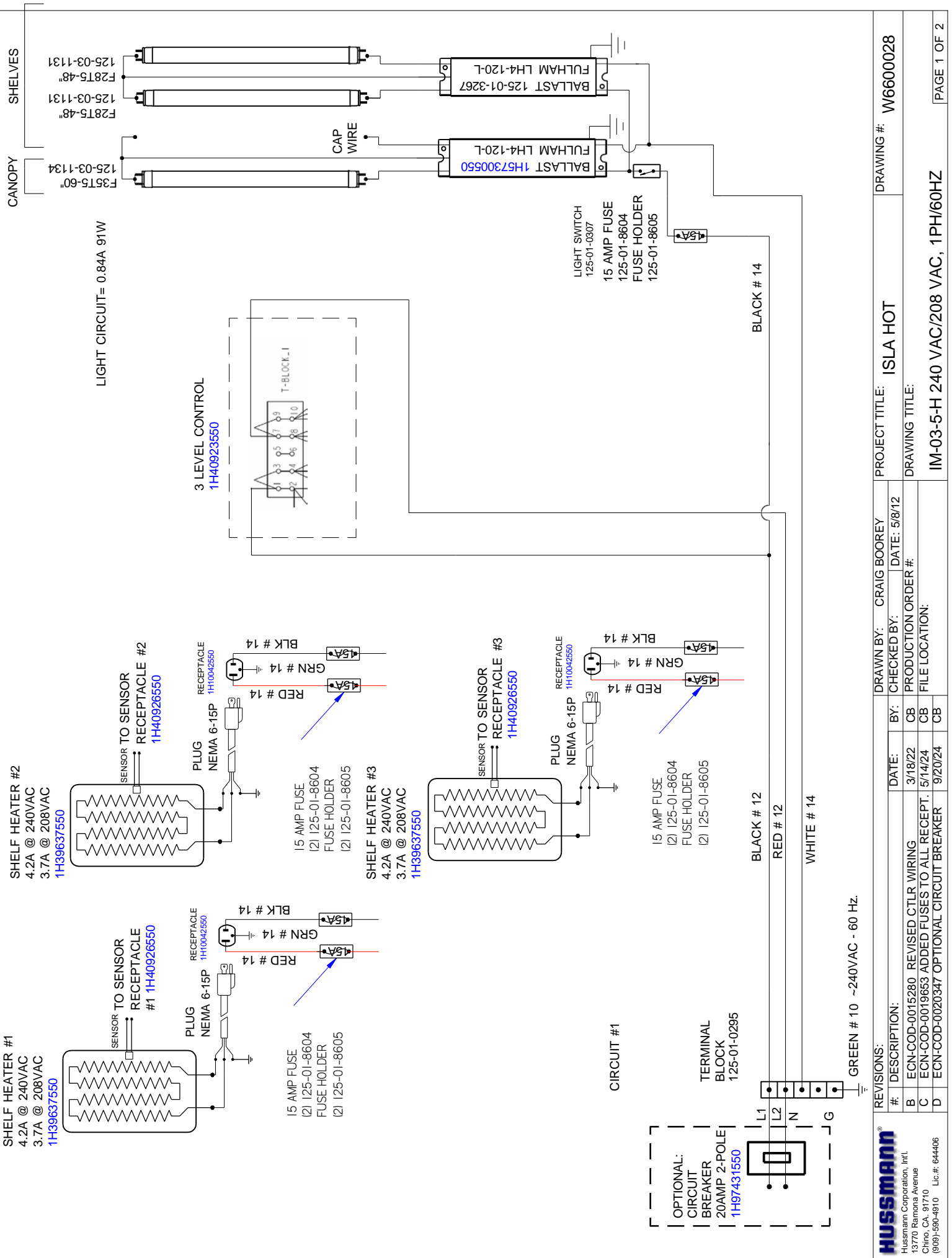
**SENSOR RECEPTACLE WIRING
CONTROL PANEL**



REVISIONS:

#	DESCRIPTION:	DATE:	BY:
B	ECN-COD-0015280 REVISED CTRLR WIRING	3/18/22	CB
C	ECN-COD-0019653 ADDED FUSES TO ALL RECEPT.	5/14/24	CB

DRAWN BY: CRAIG BOOREY	PROJECT TITLE: ISLA HOT	DRAWING #: W6600011
CHECKED BY:	DATE: 7/19/11	
PRODUCTION ORDER #:		
FILE LOCATION:	IM-03-4-H W/ 30AMP CORD.	



SHELF HEATER #1
4.2A @ 240VAC
3.7A @ 208VAC
1H39637550

SHELF HEATER #2
4.2A @ 240VAC
3.7A @ 208VAC
1H39637550

SHELF HEATER #3
4.2A @ 240VAC
3.7A @ 208VAC
1H39637550

LIGHT CIRCUIT= 0.84A 91W

3 LEVEL CONTROL
1H40923550

SENSOR TO SENSOR RECEPTACLE #1
1H40926550

SENSOR TO SENSOR RECEPTACLE #2
1H40926550

SENSOR TO SENSOR RECEPTACLE #3
1H40926550

15 AMP FUSE
(2) 125-01-8604
FUSE HOLDER
(2) 125-01-8605

15 AMP FUSE
(2) 125-01-8604
FUSE HOLDER
(2) 125-01-8605

15 AMP FUSE
(2) 125-01-8604
FUSE HOLDER
(2) 125-01-8605

CIRCUIT #1

TERMINAL BLOCK
125-01-0295

OPTIONAL:
CIRCUIT BREAKER
20AMP 2-POLE
1H97431550

BLACK # 12
RED # 12
WHITE # 14

BLACK # 14

GREEN # 10 ~240VAC - 60 Hz.

DRAWN BY: CRAIG BOOREY		PROJECT TITLE: ISLA HOT		DRAWING #: W6600028	
CHECKED BY:		DATE: 5/8/12			
BY: CB		DATE: 3/18/22		PRODUCTION ORDER #:	
CB		5/14/24		FILE LOCATION:	
CB		9/20/24		IM-03-5-H 240 VAC/208 VAC, 1PH/60HZ	

CIRCUIT #1

LOADING	
208 V	240V
L1	11.6
L2	10.9
	12.6

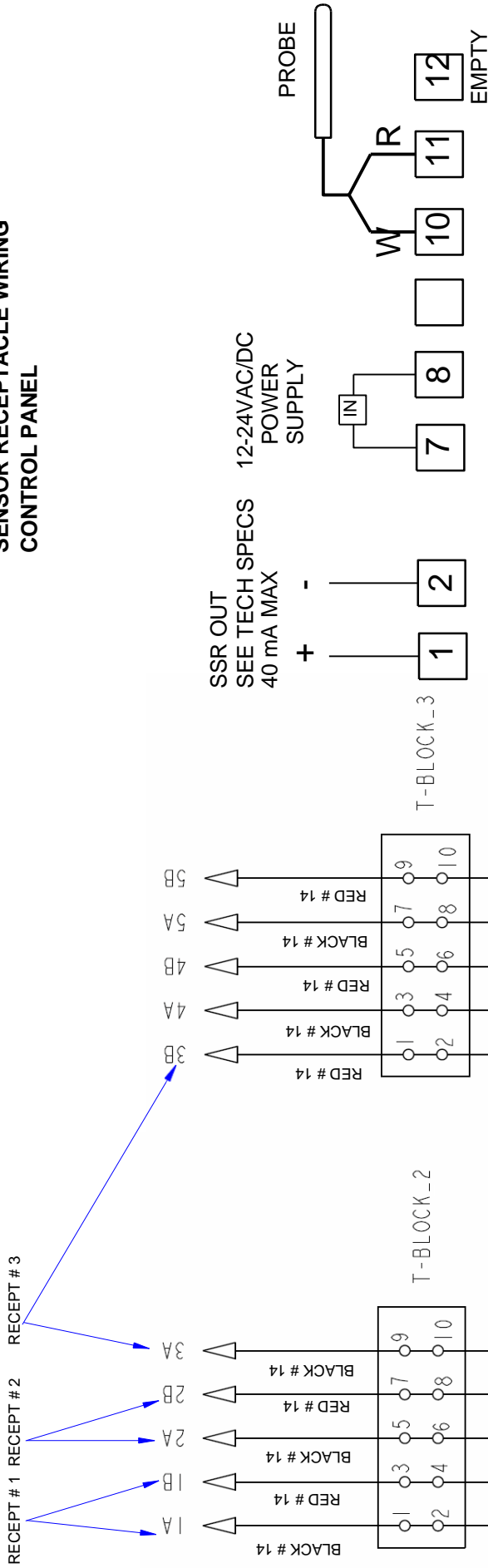
**CIRCUIT #1
CONTINUE
D**

**2413W @ 208VAC
3216W @ 240VAC**

**NOTE: CASE MUST
BE GROUNDED**

**HEATER RECEPTACLE WIRING
CONTROL PANEL**

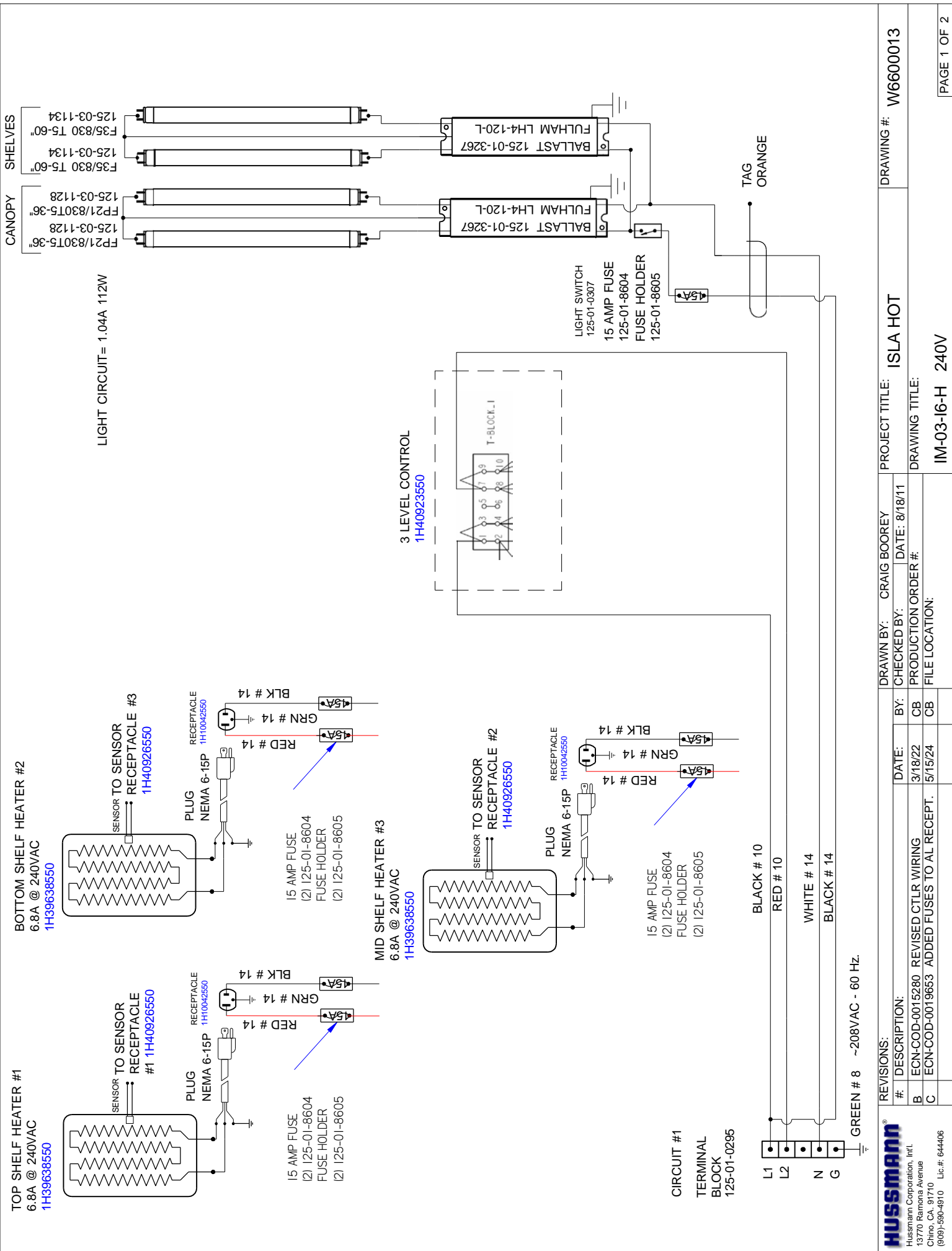
**SENSOR RECEPTACLE WIRING
CONTROL PANEL**



REVISIONS:

#	DESCRIPTION:	DATE:	BY:
B	ECN-COD-0015280 REVISED CTRLR WIRING	3/18/22	CB
C	ECN-COD-0019653 ADDED FUSES TO ALL RECEPT.	5/14/24	CB
D	ECN-COD-0020347 OPTIONAL CIRCUIT BREAKER	9/20/24	CB

DRAWN BY: CRAIG BOOREY	PROJECT TITLE: ISLA HOT	DRAWING #: W6600028
CHECKED BY:	DATE: 5/8/12	
PRODUCTION ORDER #:		
FILE LOCATION:		



DRAWN BY: CRAIG BOOREY		PROJECT TITLE: ISLA HOT		DRAWING #: W6600013	
BY: CHECKED BY:	DATE: 8/18/11	DRAWING TITLE: IM-03-16-H 240V		FILE LOCATION:	
3/18/22	CB	PRODUCTION ORDER #:		IM-03-16-H 240V	
5/15/24	CB	REVISIONS:		DRAWING TITLE: ISLA HOT	
B ECN-COD-0015280 REVISED CTR WIRING		C ECN-COD-0019653 ADDED FUSES TO AL RECEPT.		DRAWING TITLE: ISLA HOT	
HUSMANN Corporation, Int'l 13770 Ramona Avenue Chino, CA, 91710 (909)-590-4910 Lic.#: 644406		HUSMANN		DRAWING #: W6600013	
PAGE 1 OF 2					

CIRCUIT #1

LOADING	
240 V	
L1	21.4
L2	20.3

**CIRCUIT #1
CONTINUE
D**

5136W @ 240VAC

**NOTE: CASE MUST
BE GROUNDED**

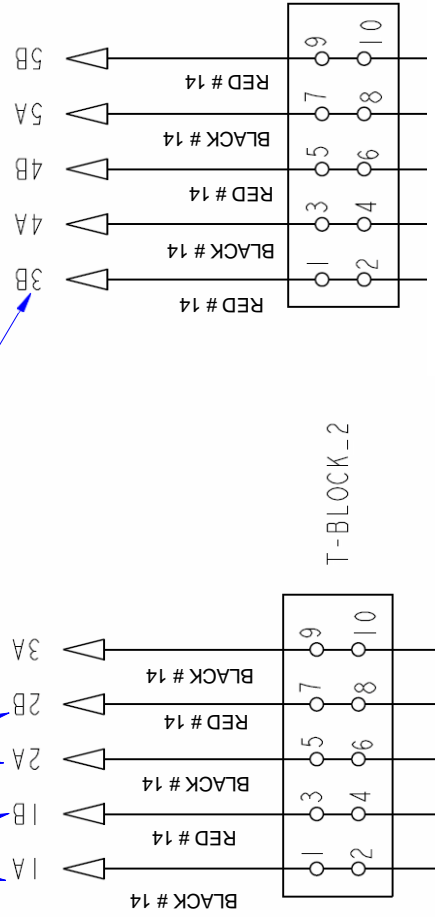
RECEPT #1
TOP SHELF

RECEPT #2
MID SHELF

RECEPT #3
BOTTOM DECK

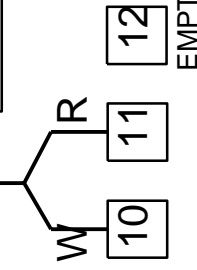
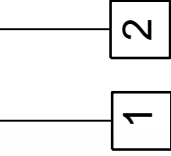
**HEATER RECEPTACLE WIRING
CONTROL PANEL**

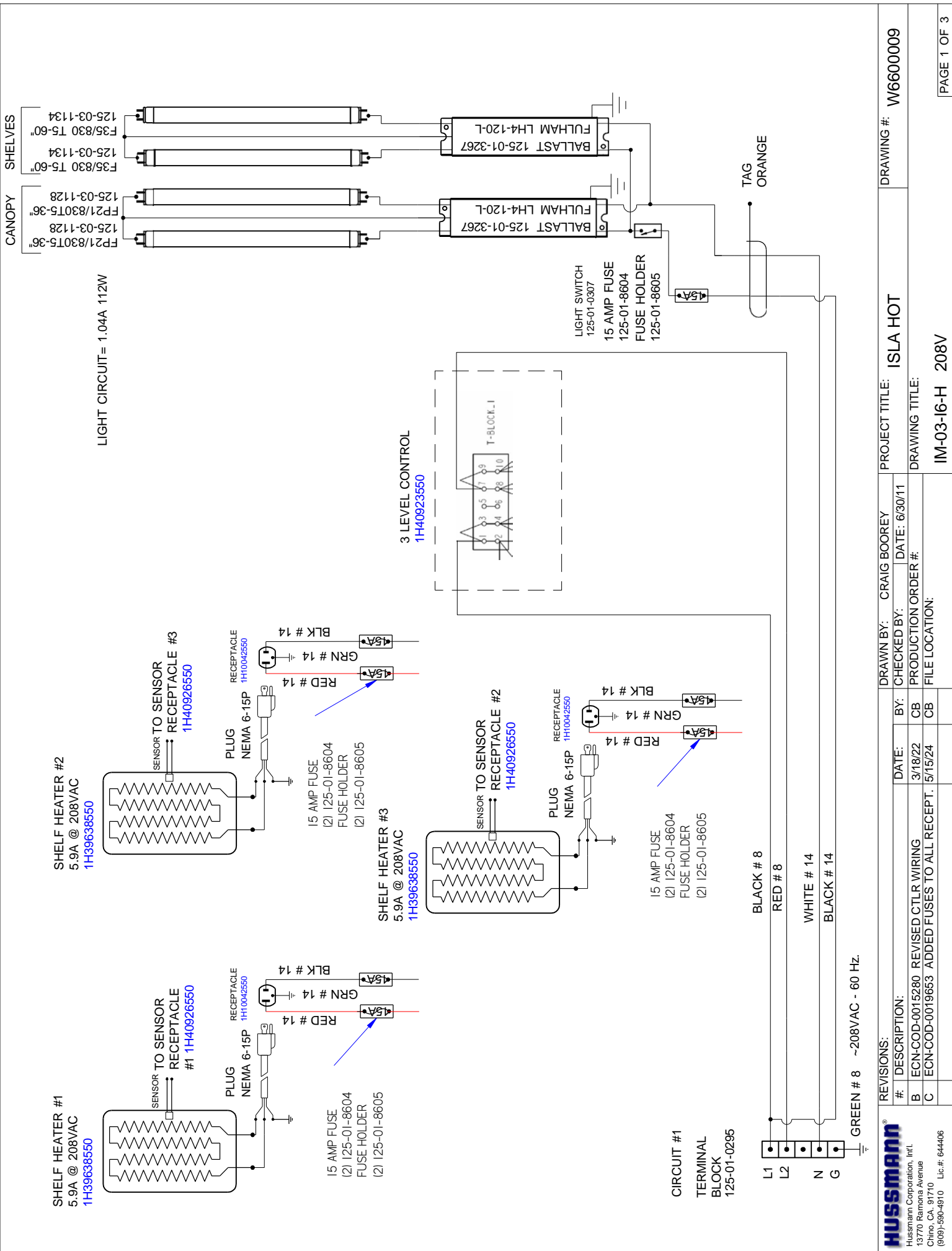
**SENSOR RECEPTACLE WIRING
CONTROL PANEL**



SSR OUT
SEE TECH SPECS
40 mA MAX

12-24VAC/DC
POWER
SUPPLY





DRAWN BY: CRAIG BOOREY		PROJECT TITLE: ISLA HOT		DRAWING #: W6600009	
DATE: 6/30/11	BY: CHECKED BY:	DATE: 3/18/22	CB	PRODUCTION ORDER #:	
B	ECN-COD-0015280	REVISED CTLR WIRING	CB	FILE LOCATION:	IM-03-16-H 208V
C	ECN-COD-0019653	ADDED FUSES TO ALL RECEPT.	CB		

CIRCUIT #1

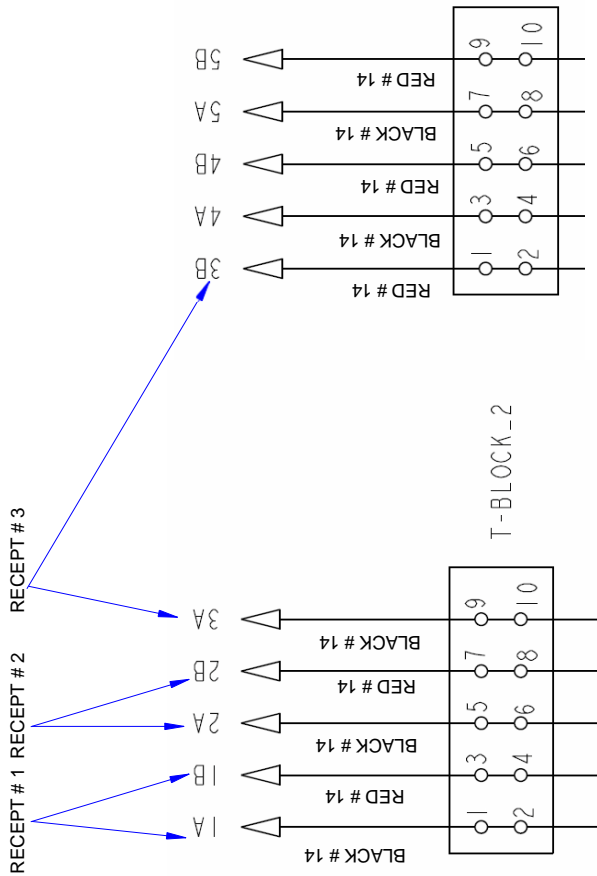
LOADING
208 V
L1 18.7
L2 17.7

**CIRCUIT # 1
CONTINUE
D**

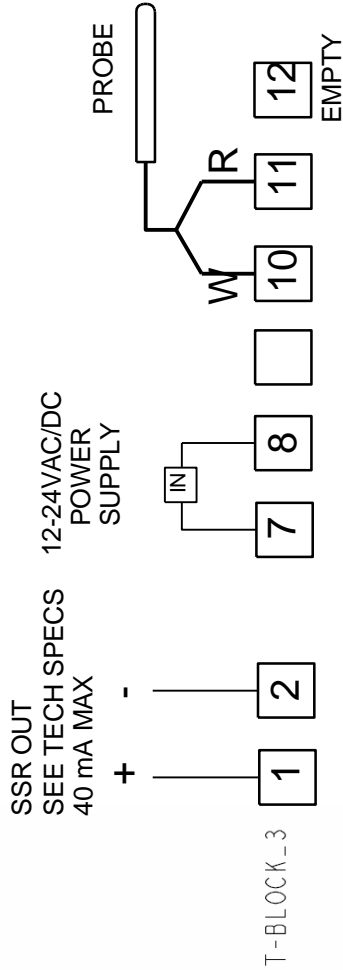
3890W @ 208VAC

**NOTE: CASE MUST
BE GROUNDED**

**HEATER RECEPTACLE WIRING
CONTROL PANEL**



**SENSOR RECEPTACLE WIRING
CONTROL PANEL**



REVISIONS:

#	DESCRIPTION:	DATE:	BY:
B	ECN-COD-0015280 REVISED CTRLR WIRING	3/18/22	CB
C	ECN-COD-0019653 ADDED FUSES TO ALL RECEPT.	5/15/24	CB

DRAWN BY: CRAIG BOOREY
CHECKED BY: DATE: 6/30/11
PRODUCTION ORDER #:
FILE LOCATION:

PROJECT TITLE: ISLA HOT
DRAWING TITLE: IM-03-16-H 208V

CIRCUIT #1

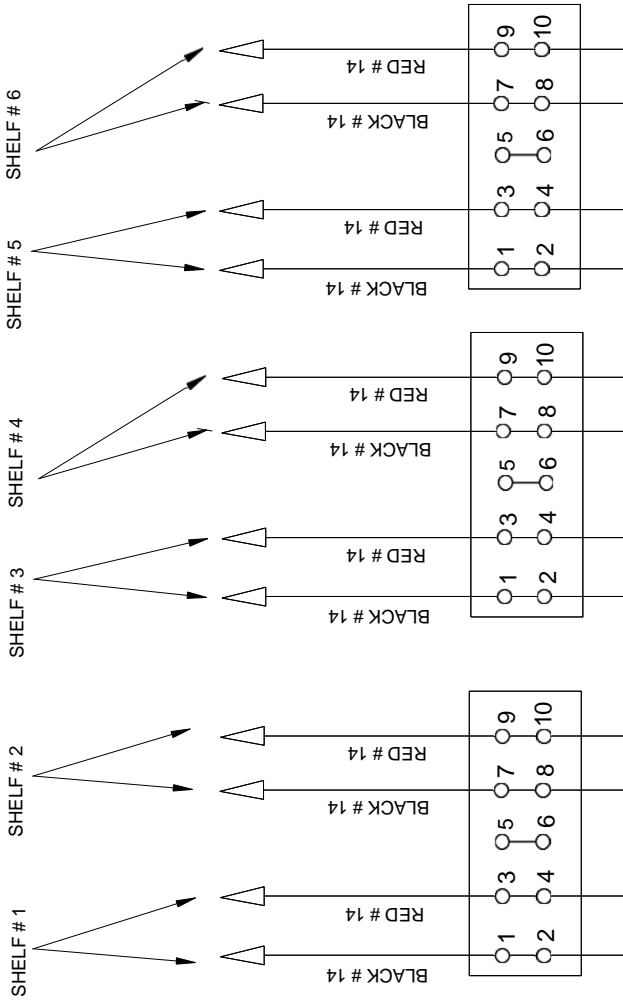
LOADING	
208 V	240V
L1	24.1 27.7
L2	22.8 26.4

5013W @ 208VAC
6648W @240VAC

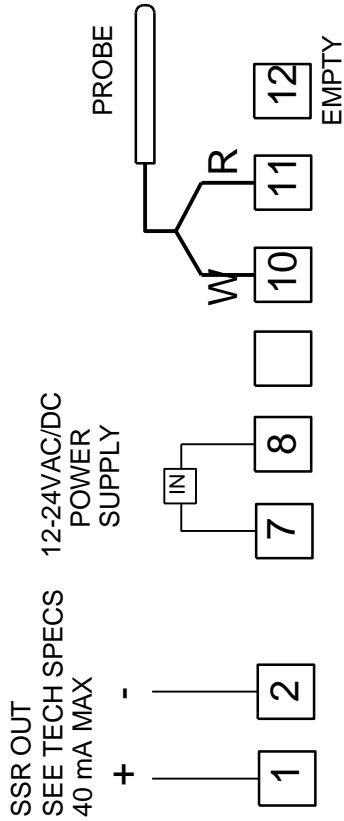
NOTE: CASE MUST BE GROUNDED

CIRCUIT # 1 CONTINUE
D

HEATER RECEPTACLE WIRING CONTROL PANEL



SENSOR RECEPTACLE WIRING CONTROL PANEL



REVISIONS:

#	DESCRIPTION:	DATE:	BY:
C	CN#951945 CHANGED TERMINAL BLOCK	11/5/14	CB
D	ECN-COD-0015280 REVISED CTRLR WIRING	3/18/22	CB
E	ECN-COD-019653 ADDED FUSES TO ALL RECEPT.	5/15/24	CB

DRAWN BY: CRAIG BOOREY
 CHECKED BY: DATE: 7/2/12
 PRODUCTION ORDER #:
 FILE LOCATION:

CIRCUIT #1

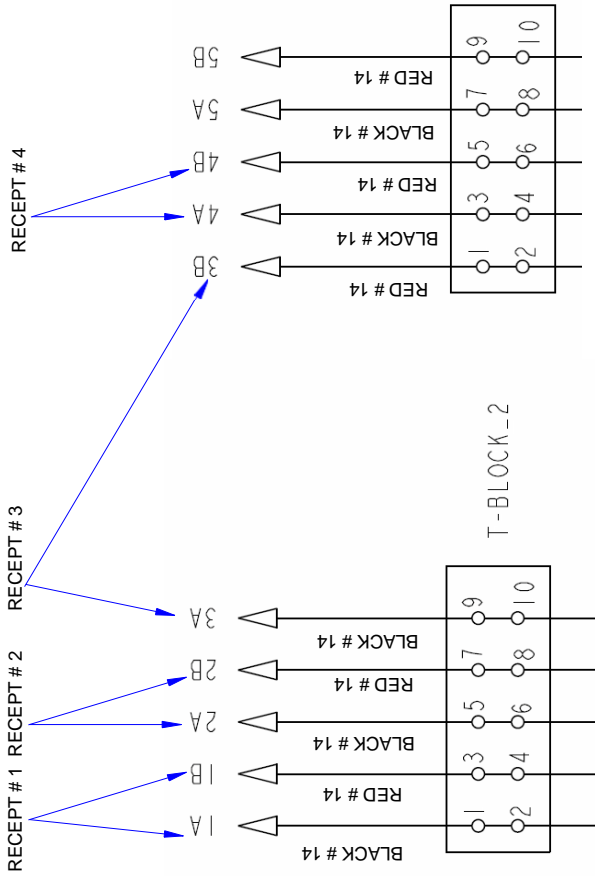
LOADING	208 V	240V
L1	8.4	9.7
L2	8.0	9.2

NOTE: CASE MUST BE GROUNDED

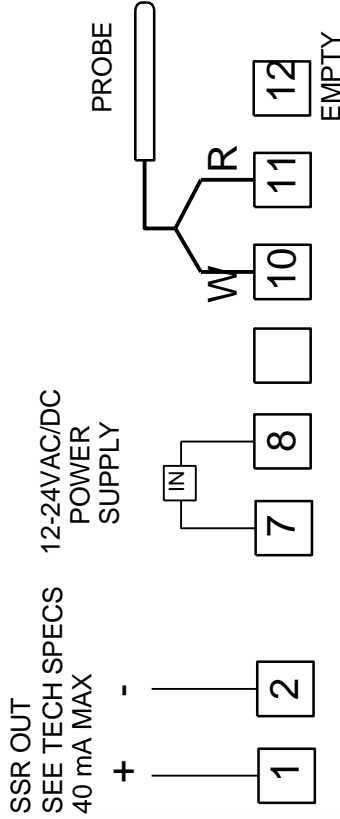
CIRCUIT # 1 CONTINUE
D

1747W @ 208VAC
2328W @240VAC

HEATER RECEPTACLE WIRING CONTROL PANEL



SENSOR RECEPTACLE WIRING CONTROL PANEL



REVISIONS:

#	DESCRIPTION:
A	CN#649548
B	ECN-COD-0015280 REVISED CTR WIRING
C	ECN-COD-0019653 ADDED FUSES TO ALL RECEPT.

DATE:	BY:	FILE LOCATION:
10/29/12	CB	CB
3/18/22	CB	CB
5/15/24	CB	CB

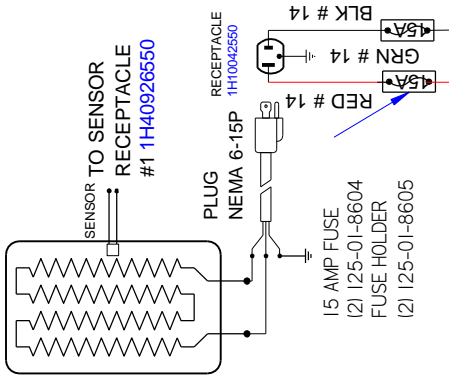
DATE:	DATE:
10/29/12	10/29/12

DRAWN BY: CRAIG BOOREY
CHECKED BY:
PRODUCTION ORDER #:
FILE LOCATION:

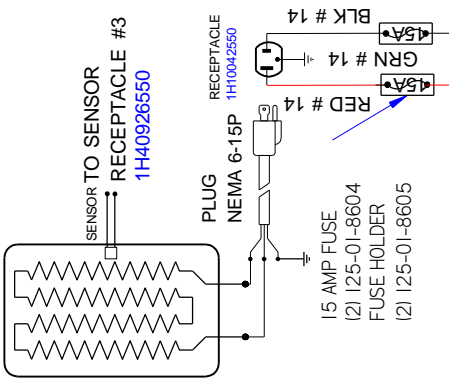
PROJECT TITLE: ISLA HOT
DRAWING TITLE: IM-04-13-H

DRAWING #: W6600061
PAGE 2 OF 2

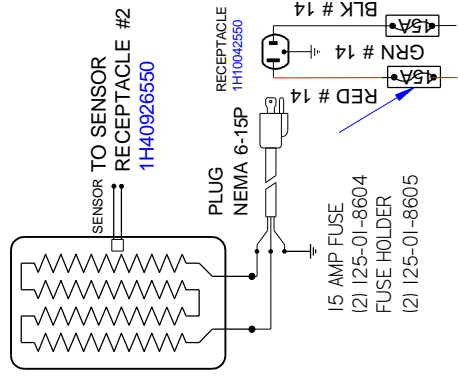
SHELF HEATER #1
3.8A @ 208VAC
1H39636550



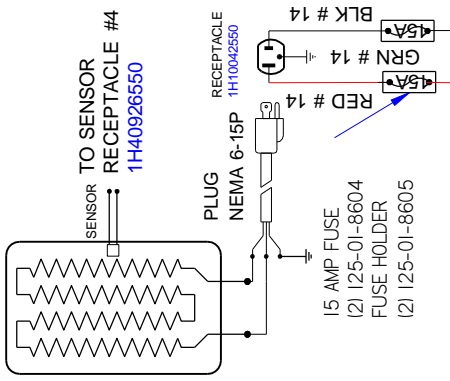
SHELF HEATER #3
3.8A @ 208VAC
1H39636550



SHELF HEATER #2
3.8A @ 208VAC
1H39636550



SHELF HEATER #4
3.8A @ 208VAC
1H39636550



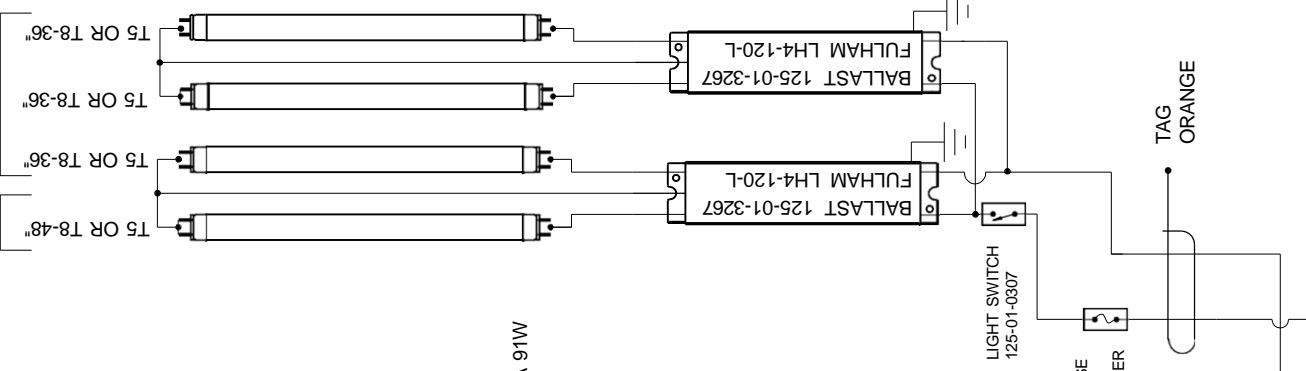
CIRCUIT #1

LOADING
208 V 240V
L1 16.0 18.5
L2 15.2 17.5

3328W @ 208VAC
4440W @ 240VAC

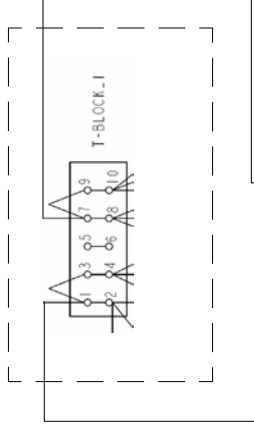
NOTE: CASE MUST BE GROUNDED

CANOPY SHELVES



LIGHT CIRCUIT= .84A 91W

4 LEVEL CONTROL
1H40924550



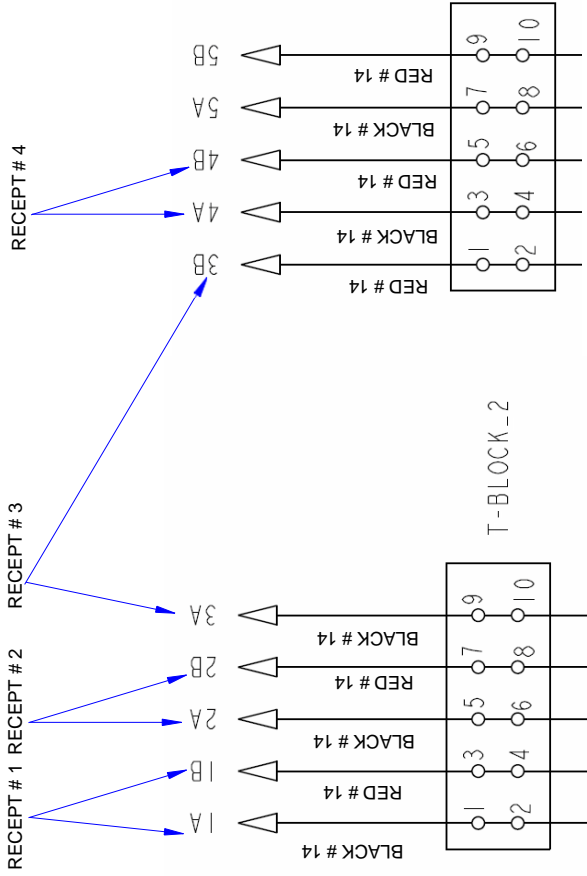
TERMINAL BLOCK
125-01-0295

BLACK # 12
RED # 12
WHITE # 14
BLACK # 14

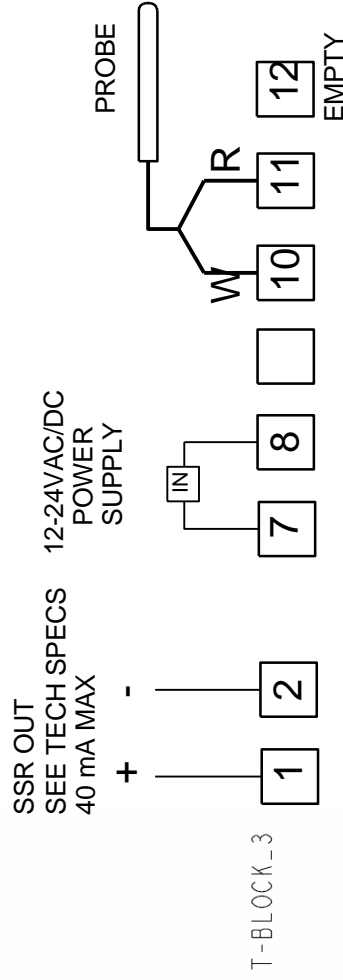
GREEN # 12 ~208VAC - 60 Hz.

**CIRCUIT #1
CONTINUE
D**

**HEATER RECEPTACLE WIRING
CONTROL PANEL**



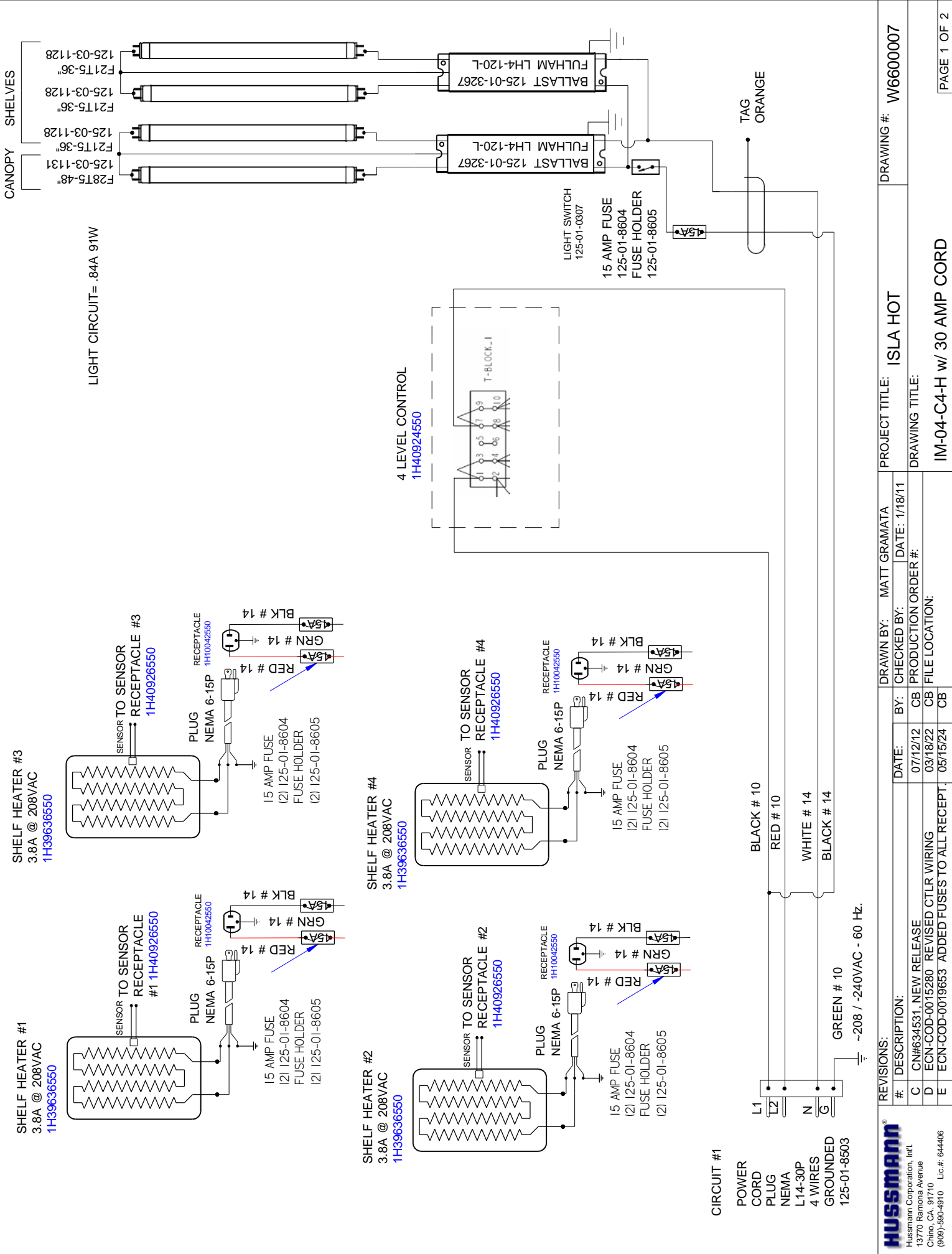
**SENSOR RECEPTACLE WIRING
CONTROL PANEL**



REVISIONS:

#	DESCRIPTION:	DATE:	BY:	CHECKED BY:
C	ECN-CAP-0020444 Revised Light Description	3/4/20	CB	PRODUCTION ORDER #:
D	ECN-COD-0015280 Revised C.TLR Wiring	3/18/22	CB	FILE LOCATION:
E	ECN-COD-0019653 ADDED FUSES TO ALL RECEPT	5/15/24	CB	

DRAWN BY: JESSE RIOS	PROJECT TITLE: ISLA HOT	DRAWING #: W6600001
CHECKED BY:	DATE: 7/7/10	
PRODUCTION ORDER #:		
FILE LOCATION:		



DRAWN BY: MATT GRAMATA		PROJECT TITLE: ISLA HOT		DRAWING #: W6600007	
DATE: 07/12/12	BY: CHECKED BY:	DATE: 1/18/11	DRAWING TITLE: IM-04-C4-H w/ 30 AMP CORD		
03/18/22	CB	05/15/24	FILE LOCATION: CB		
05/15/24	CB		PAGE 1 OF 2		
REVISIONS: # DESCRIPTION: C CN#634531, NEW RELEASE D ECN-COD-0015280 REVISED CTLR WIRING E ECN-COD-0019853 ADDED FUSES TO ALL RECEPT.					
HUSSMANN Hussmann Corporation, Intl. 13770 Ramona Avenue Chino, CA, 91710 (909)-590-4910 Lic.#: 644406					

CIRCUIT #1

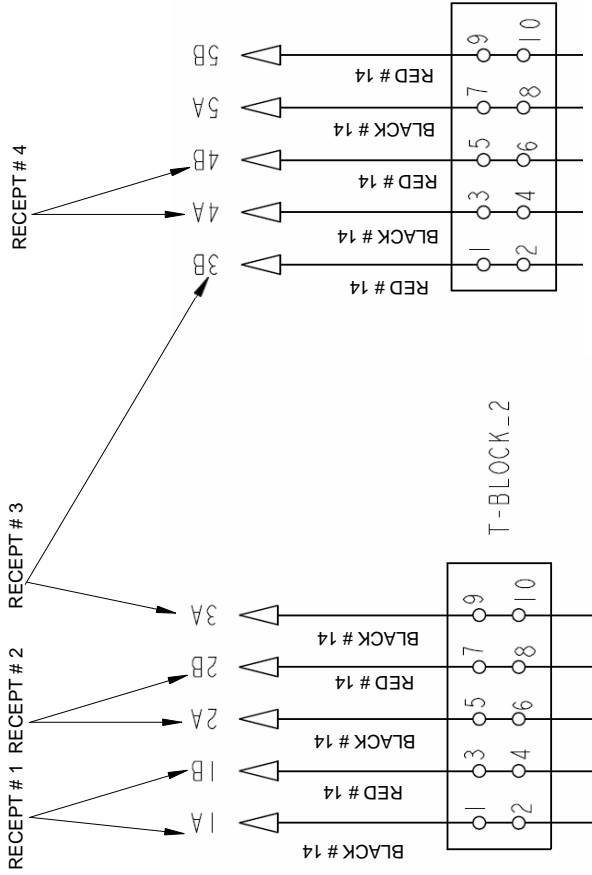
LOADING	
208 V	
L1	16.0
L2	15.2

**CIRCUIT #1
CONTINUE
D**

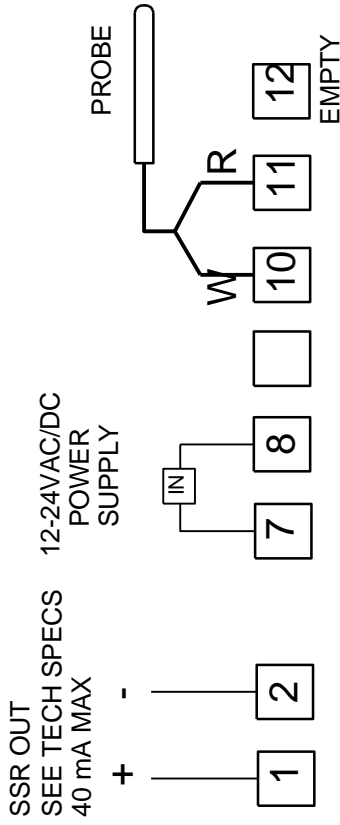
3328W @ 208VAC

**NOTE: CASE MUST
BE GROUNDED**

**HEATER RECEPTACLE WIRING
CONTROL PANEL**



**SENSOR RECEPTACLE WIRING
CONTROL PANEL**



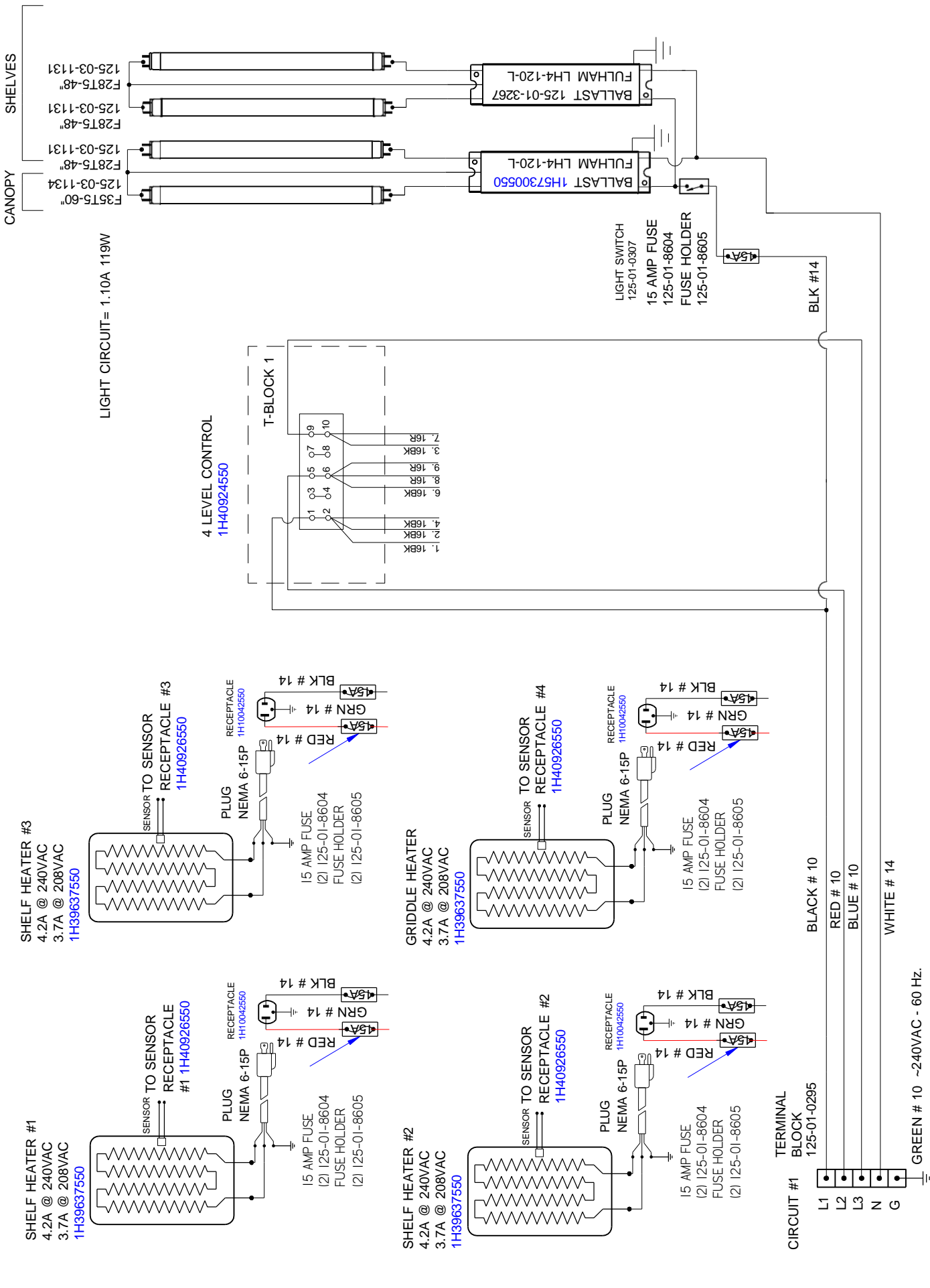
REVISIONS:

#	DESCRIPTION:	DATE:	BY:	CHECKED BY:
C	CN#634531, NEW RELEASE	07/12/12	CB	PRODUCTION ORDER #:
D	ECN-COD-0015280 REVISED CTLR WIRING	03/18/22	CB	FILE LOCATION:
E	ECN-COD-0019853 ADDED FUSES TO ALL RECEPT.	05/15/24	CB	

DRAWN BY: MATT GRAMATA
DATE: 1/18/11

PROJECT TITLE: ISLA HOT
DRAWING TITLE: IM-04-C4-H

DRAWING #: W6600007
PAGE 2 OF 2



LIGHT CIRCUIT= 1.10A 119W

HUSSMANN Hussmann Corporation, Intl. 13770 Ramona Avenue Chino, CA. 91710 (909)-590-4910 Lic.#: 644406		REVISIONS: # DESCRIPTION: A CN#649548 B ECN-COD-0015280 REVISED CTRLR WIRING C ECN-COD-0019653 ADDED FUSES TO AL RECEPT.	DRAWN BY: CRAIG BOOREY CHECKED BY: _____ DATE: 9/25/12 PRODUCTION ORDER #: _____ FILE LOCATION:	PROJECT TITLE: ISLA HOT DRAWING #: W66000553
DRAWING TITLE: IM-04-5-H 208, 3-PH/60HZ		PAGE 1 OF 3		

CIRCUIT #1

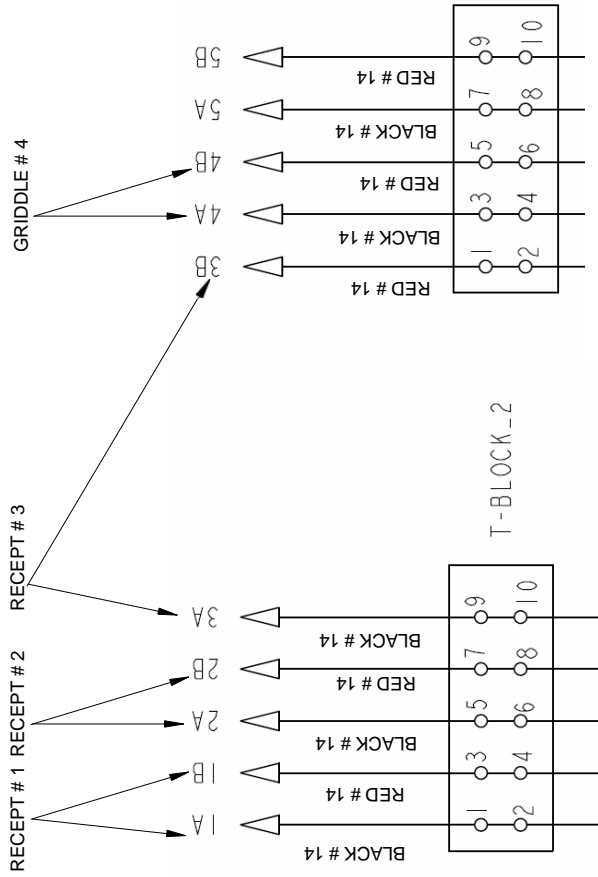
LOADING	
208 V	240V
L1	12.2
L2	11.1
L3	7.4

**CIRCUIT #1
CONTINUE
D**

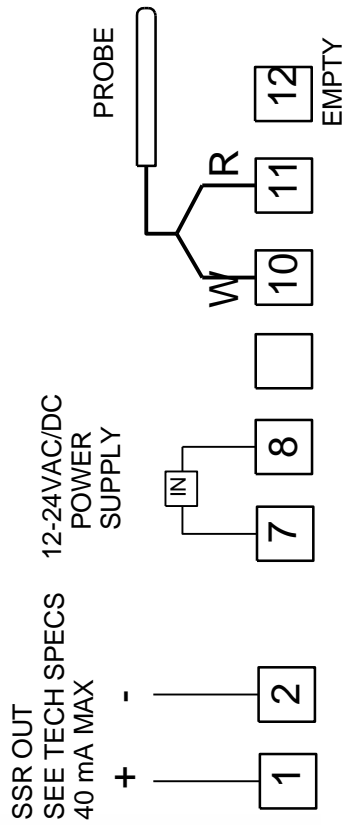
3687W @ 208VAC

**NOTE: CASE MUST
BE GROUNDED**

**HEATER RECEPTACLE WIRING
CONTROL PANEL**



**SENSOR RECEPTACLE WIRING
CONTROL PANEL**



REVISIONS:

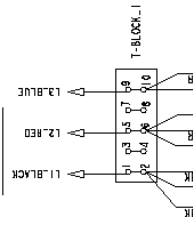
#	DESCRIPTION:	DATE:	BY:
A	CN#649548	9/25/12	CB
B	ECN-COD-0015280 REVISED CTR WIRING	3/18/22	CB
C	ECN-COD-0019653 ADDED FUSES TO AL RECEPT.	5/15/24	CB

DRAWN BY: CRAIG BOOREY
CHECKED BY: DATE: 9/25/12
PRODUCTION ORDER #:
FILE LOCATION:

**CIRCUIT # 1
CONTINUE
D**

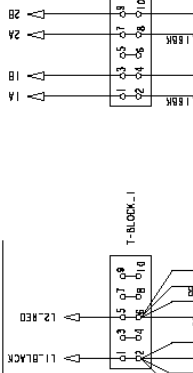
NOTE: ALL WIRES IN T-BLOCK_1 MUST BE LABELED WITH WIRE NUMBERS

POWER INPUT
3 PHASE



TO CONVERT WIRING TO 3 PHASE:
1) MOVE WIRE #7 FROM L2 TO L3
2) MOVE WIRE #3 FROM L1 TO L3

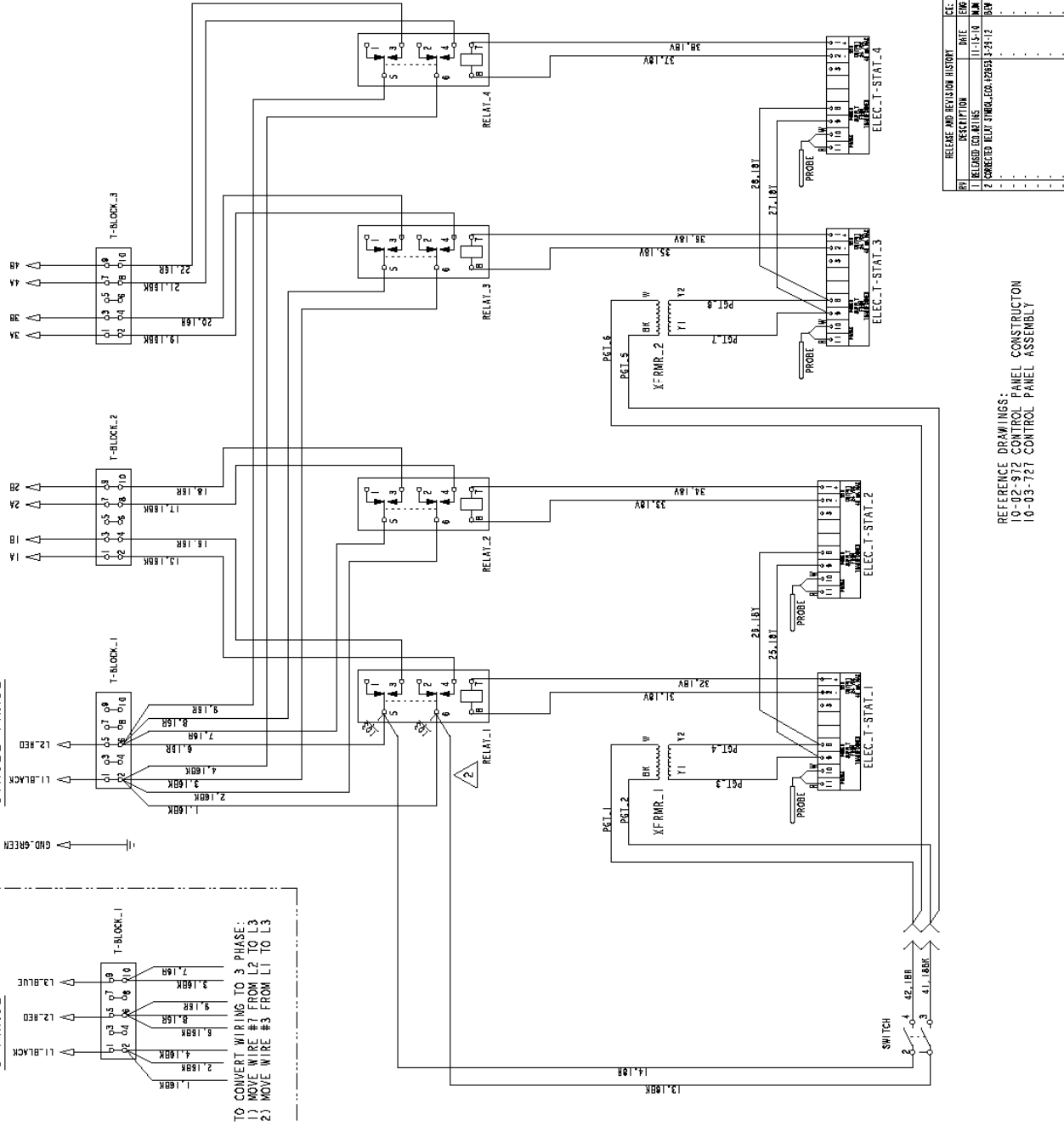
POWER INPUT
SINGLE PHASE



TERMINAL BLOCK CONNECTIONS	
POWER INPUT	HEATED SHELF
L1	SHELF #1 1A, 1B
L2	SHELF #2 2A, 2B
L3	SHELF #3 3A, 3B
	SHELF #4 4A, 4B

POWER INPUT (MAX)	208 VOLTS	240 VOLTS
4 SHELF CONTROLLER	4920W 23.9A	4920W 20.4A
POWER INPUT (MAX)	208 VOLTS	240 VOLTS
4 SHELF CONTROLLER	4920W 18.2A	4920W 14.0A
POWER OUTPUT (MAX)		
SHELF#1 (1A, 1B)	208 VOLTS	240 VOLTS
SHELF#2 (2A, 2B)	1230W 5.9A	1230W 5.1A
SHELF#3 (3A, 3B)	1230W 5.9A	1230W 5.1A
SHELF#4 (4A, 4B)	1230W 5.9A	1230W 5.1A

WIRE NAME	SPOOL PART NO.	END 1	END 2	NOMINAL LENGTH
1	0.00	538	538	6
2	0.00	024	538	8
3	0.00	024	538	9
4	0.00	024	538	12
6	0.01	538	538	4
7	0.01	024	538	4
8	0.01	024	538	7
9	0.01	024	538	8
13	0.25	072	538	9
14	0.26	072	538	10
15	0.40	024	538	3
16	0.41	024	538	3
17	0.40	024	538	4
18	0.41	024	538	4
19	0.40	024	538	4
20	0.41	024	538	3
21	0.40	024	538	5
22	0.41	024	538	4
25	0.29	514	512	5
26	0.29	514	512	5
27	0.29	514	514	5
28	0.29	514	514	5
31	0.04	039	514	8
32	0.04	039	514	8
33	0.04	039	514	7
34	0.04	039	514	8
35	0.04	039	514	8
36	0.04	039	514	7
37	0.04	039	514	8
38	0.04	039	514	7
41	0.26	072	538	7
42	0.25	072	538	7



REFERENCE DRAWINGS:
10-02-972 CONTROL PANEL CONSTRUCTION
10-03-727 CONTROL PANEL ASSEMBLY

RELEASE AND REVISION HISTORY	ICE
1 RELEASED FOR REVIEWS	DATE: 11-15-10
2 CORRECTED RELAY SYMBOLS TO 3-24-12	DATE: 03-24-12

DESCRIPTION	DATE	BY	APP'D												
UNLESS OTHERWISE SPECIFIED DIMS ARE IN INCHES															
2. ALL DIMENSIONS SHALL BE TO CENTER UNLESS OTHERWISE SPECIFIED															
3. THIS PRINT IS NOT TO BE REPRODUCED WITHOUT PERMISSION OF HATCO CORP.															
<table border="0"> <tr> <td>HATCO CORP., MILWAUKEE, WI</td> <td>DESCRIPTION</td> <td>WIRING DIAGRAM, 4 SHELF ELECTRONIC CONTROL</td> </tr> <tr> <td>SCALE: 1/8" = 1"</td> <td>DRAWING NUMBER</td> <td>10-01-960</td> </tr> <tr> <td>PROJECT: #9002</td> <td>REV</td> <td>2</td> </tr> <tr> <td></td> <td>SHEET 1 OF 1</td> <td></td> </tr> </table>				HATCO CORP., MILWAUKEE, WI	DESCRIPTION	WIRING DIAGRAM, 4 SHELF ELECTRONIC CONTROL	SCALE: 1/8" = 1"	DRAWING NUMBER	10-01-960	PROJECT: #9002	REV	2		SHEET 1 OF 1	
HATCO CORP., MILWAUKEE, WI	DESCRIPTION	WIRING DIAGRAM, 4 SHELF ELECTRONIC CONTROL													
SCALE: 1/8" = 1"	DRAWING NUMBER	10-01-960													
PROJECT: #9002	REV	2													
	SHEET 1 OF 1														

HUSSMANN
Hussmann Corporation, Inc.
13770 Ramona Avenue
Chino, CA, 91710
(909)-590-4910 Lic.#: 644406

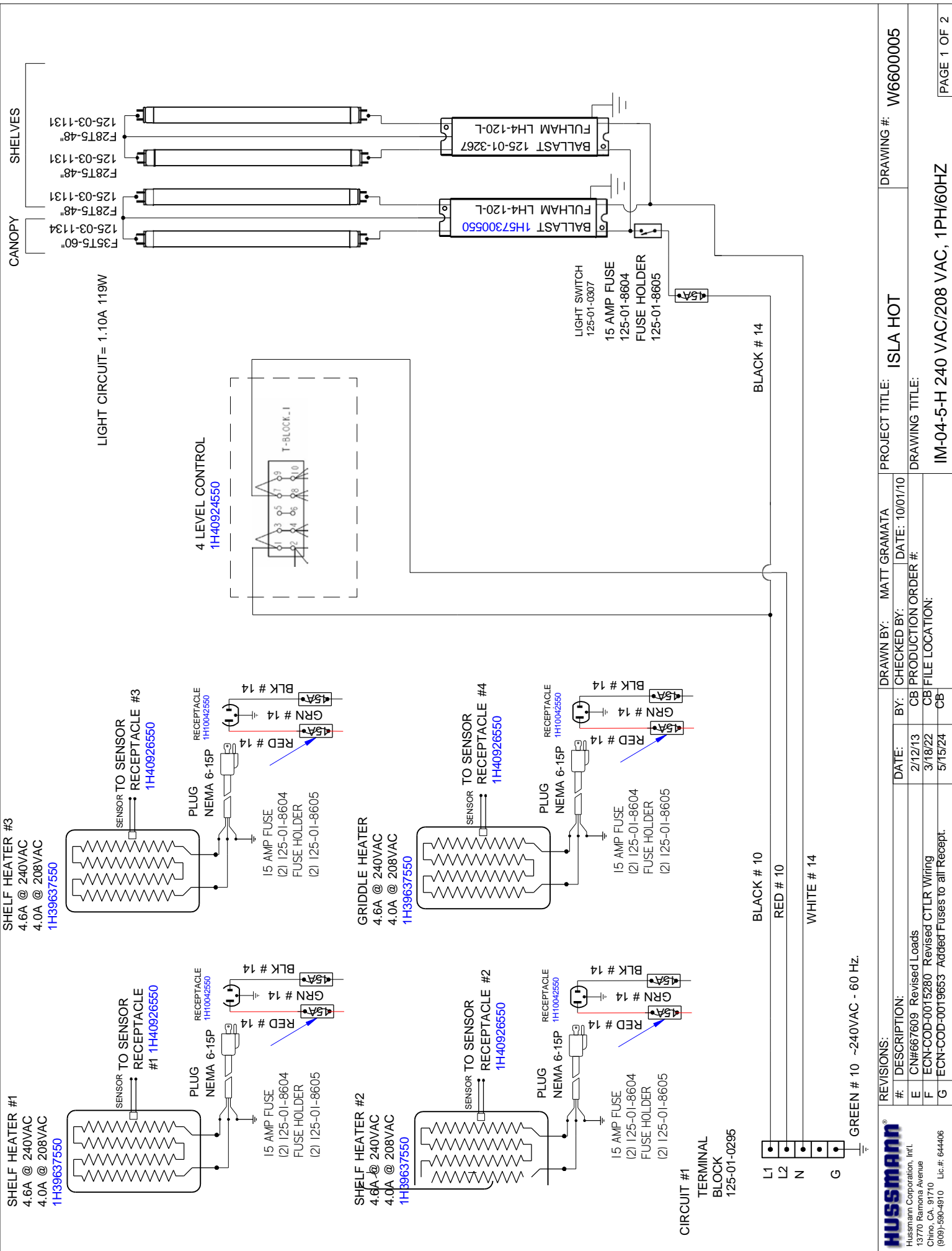
REVISIONS:
DESCRIPTION: DATE: BY: CB

A	CN#649548	9/25/12	CB
B	ECN-COD-00119280 REVISED CTR WIRING	3/18/22	CB
C	ECN-COD-0019653 ADDED FUSES TO AL RECEIPT.	5/15/24	CB

DRAWN BY: CRAIG BOOREY
CHECKED BY: DATE: 9/25/12
PROJECT TITLE: ISLA HOT
DRAWING ORDER #: PRODUCTION ORDER #:
FILE LOCATION: IM-04-E5-H, 208 3-PH/60HZ

DRAWING #: W6600053

PAGE 3 OF 3



DRAWN BY: MATT GRAMATA		PROJECT TITLE: ISLA HOT		DRAWING #: W6600005	
DATE: 10/01/10	BY: CHECKED BY:	DATE: 2/12/13	CB	PRODUCTION ORDER #:	
3/18/22	CB	5/15/24	CB	FILE LOCATION:	
IM-04-5-H 240 VAC/208 VAC, 1PH/60HZ					
 Hussmann Corporation, Intl. 13770 Ramona Avenue Chino, CA. 91710 (909)-590-4910 Lic.#: 644406					

CIRCUIT #1

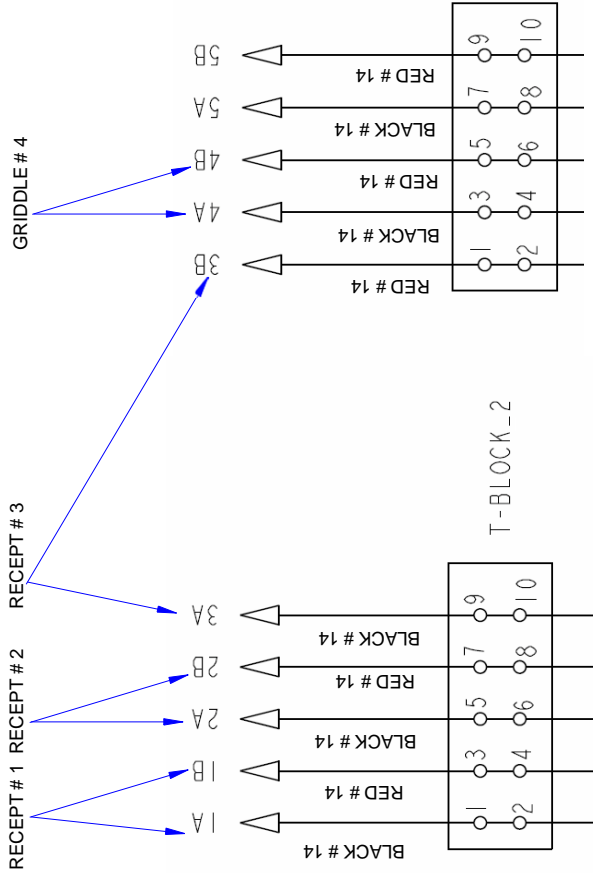
LOADING	
208 V	240V
L1	16.9
L2	15.9
	18.4

**CIRCUIT # 1
CONTINUE
D**

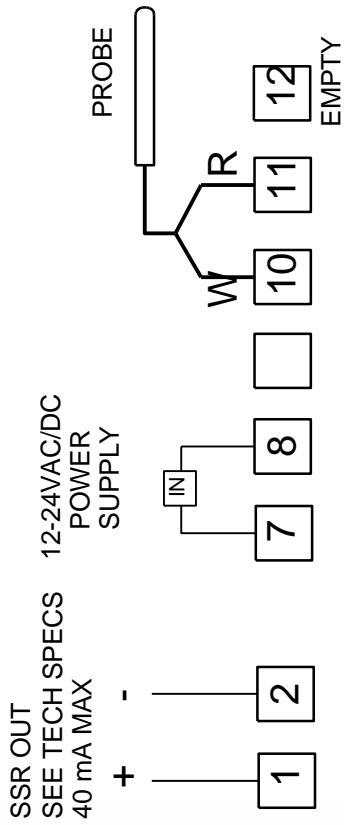
**3307W @ 208VAC
4296W @ 240VAC**

**NOTE: CASE MUST
BE GROUNDED**

**HEATER RECEPTACLE WIRING
CONTROL PANEL**



**SENSOR RECEPTACLE WIRING
CONTROL PANEL**

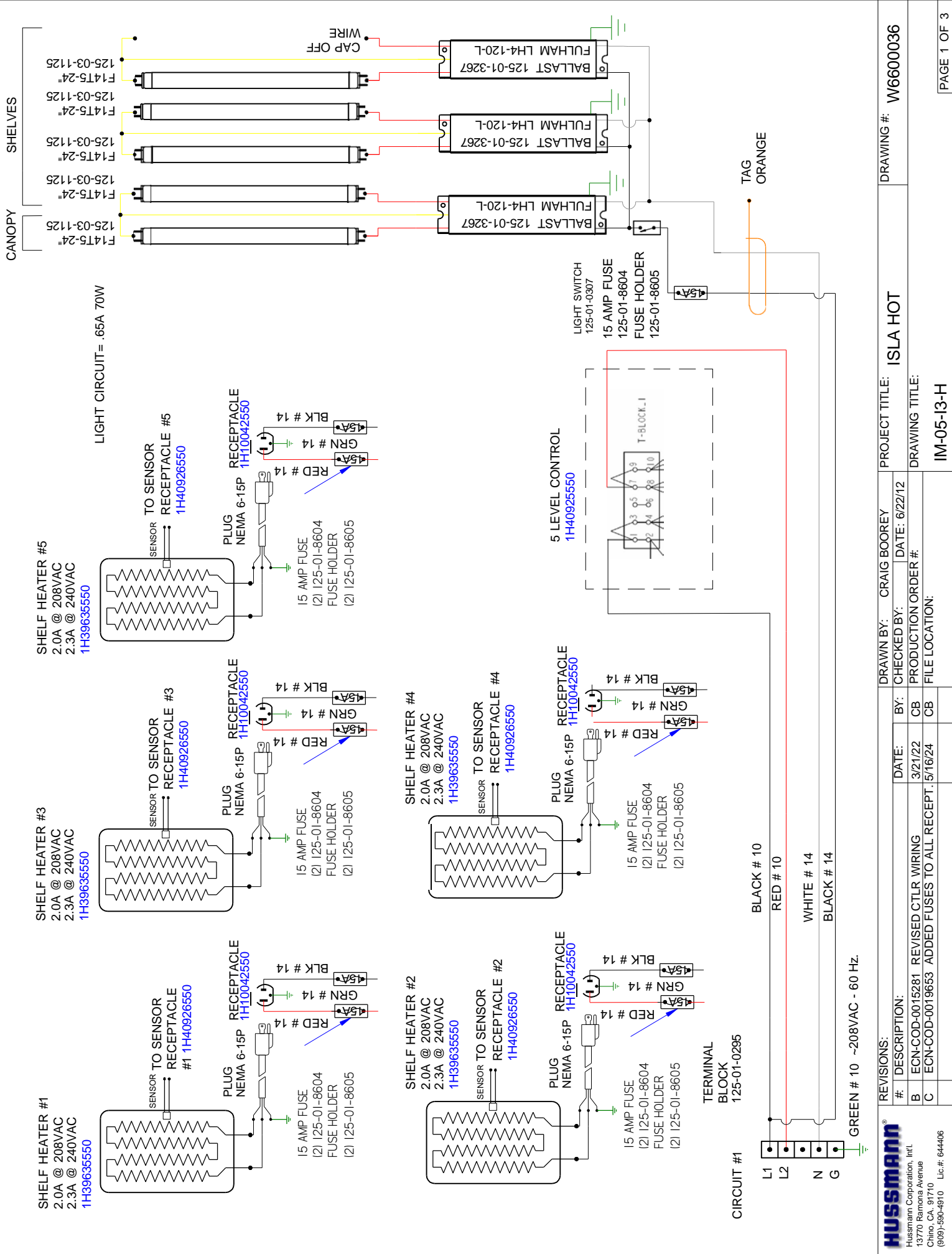


REVISIONS:

#	DESCRIPTION:	DATE:	BY:	CHECKED BY:
E	CNF#667609 Revised Loads	2/12/13	CB	PRODUCTION ORDER #:
F	ECN-COD-0015280 Revised CTLR Wiring	3/18/22	CB	FILE LOCATION:
G	ECN-COD-0019653 Added Fuses to all Recept.	5/15/24	CB	

DRAWN BY: MATT GRAMATA	PROJECT TITLE: ISLA HOT	DRAWING #: W6600005
CHECKED BY:	DATE: 10/01/10	
PRODUCTION ORDER #:		
FILE LOCATION:		

IM-04-E5-H 240 VAC, 208VAC 1PH/60HZ



DRAWN BY: CRAIG BOOREY		PROJECT TITLE: ISLA HOT		DRAWING #: W6600036	
DATE: 6/22/12	CHECKED BY:	DATE: 3/21/22	BY: CB	PRODUCTION ORDER #:	
ECN-COD-0015281	REVISD CTLR WIRING	ECN-COD-0019653	ADDED FUSES TO ALL RECEPT.	FILE LOCATION:	IM-05-13-H
Hussmann Corporation, Intl. 13770 Ramona Avenue Chino, CA. 91710 (909)-590-4910 Lic.#: 644406					

CIRCUIT #1

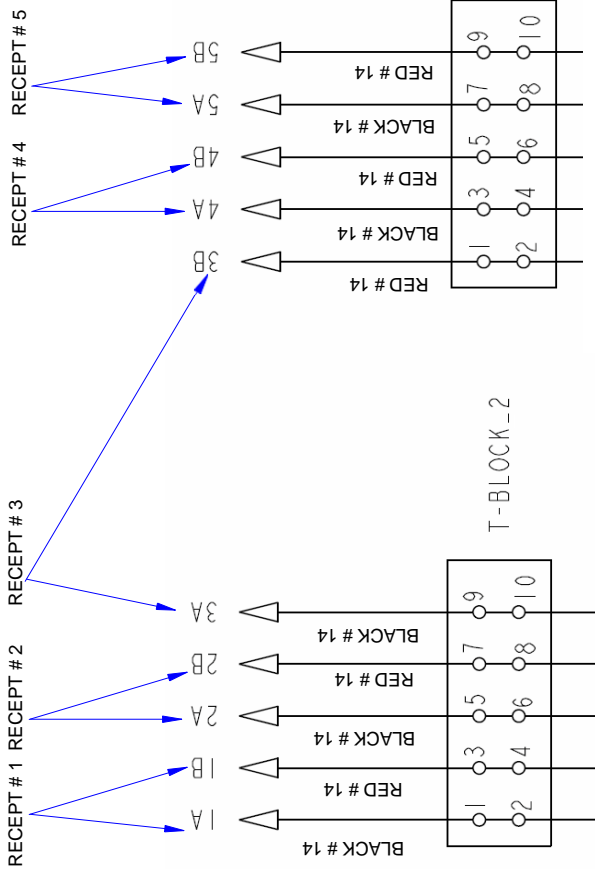
LOADING
208 V 240V
L1 10.7 12.2
L2 10.0 11.5

NOTE: CASE MUST BE GROUNDED

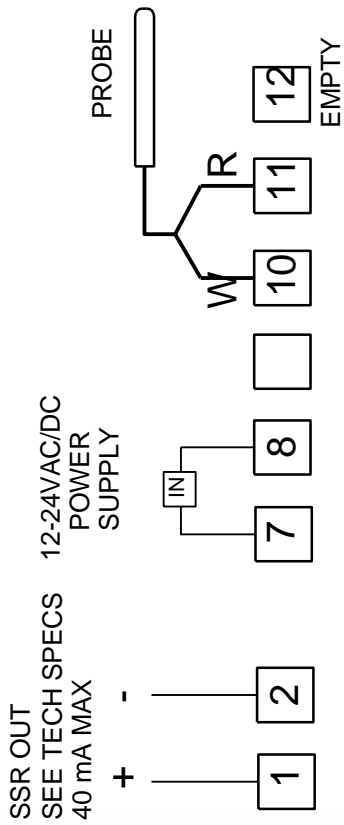
CIRCUIT #1 CONTINUE D

**4037W @ 208VAC
5392W@240VAC**

HEATER RECEPTACLE WIRING CONTROL PANEL



SENSOR RECEPTACLE WIRING CONTROL PANEL



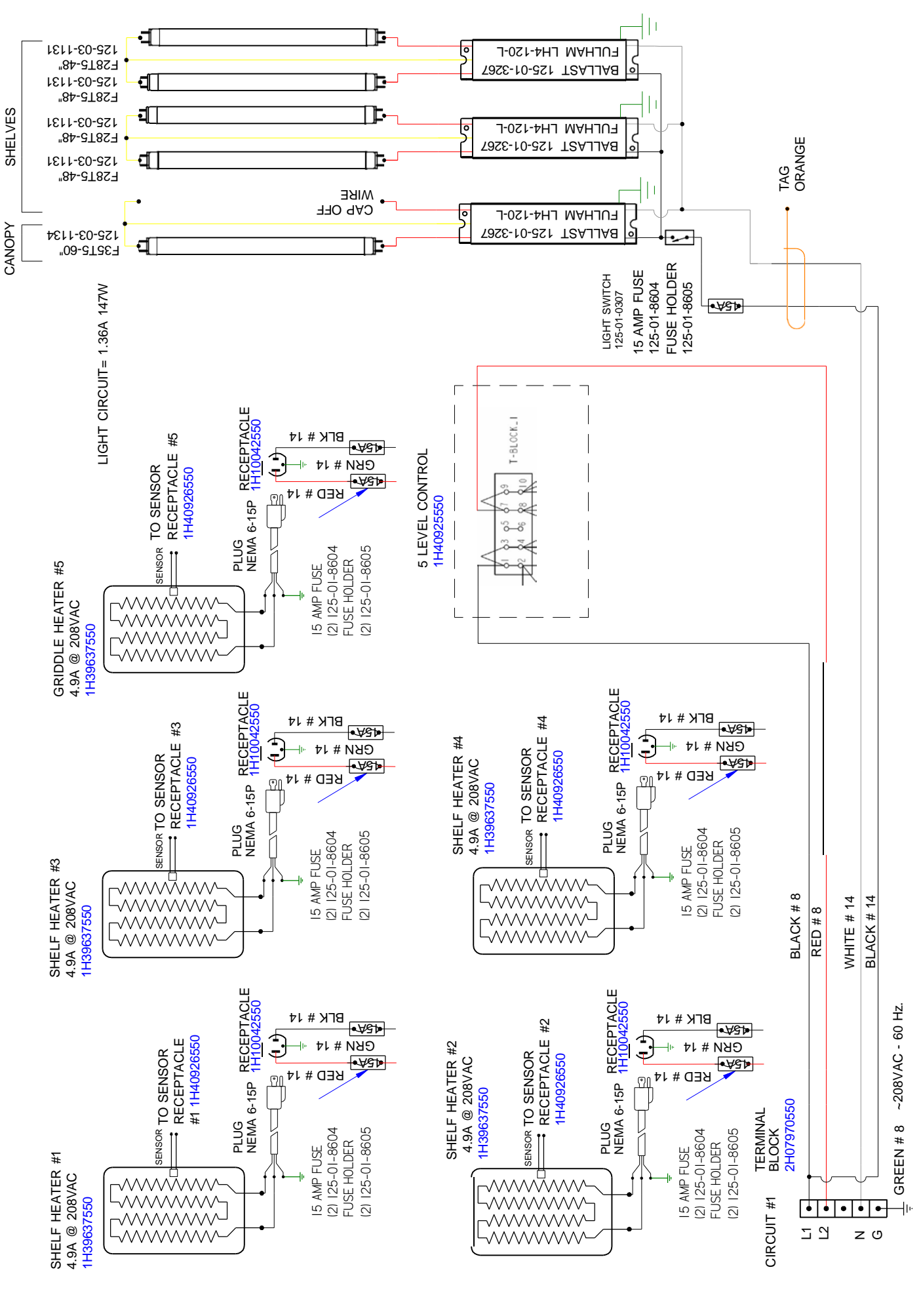
REVISIONS:

#	DESCRIPTION:	DATE:	BY:
B	ECN-COD-0015281 REVISED CTLR WIRING	3/21/22	CB
C	ECN-COD-0019653 ADDED FUSES TO ALL RECEPT.	5/16/24	CB

DRAWN BY: CRAIG BOOREY	PROJECT TITLE: ISLA HOT	DRAWING #: W6600036
------------------------	-------------------------	---------------------

CHECKED BY:	DATE: 6/22/12
PRODUCTION ORDER #:	
FILE LOCATION:	IM-05-13-H

SSR OUT SEE TECH SPECS 40 mA MAX	12-24VAC/DC POWER SUPPLY
--	--------------------------------



REVISIONS: # DESCRIPTION:		DRAWN BY: JESSE RIOS CHECKED BY:	PROJECT TITLE: ISLA HOT DRAWING #: W6600002
F	CN#951945 CHANGED TERMINAL BLOCK	DATE: 11/5/14	DATE: 6/25/10
G	ECN-COD-0015281 REVISED CTR WIRING	CB 3/21/22	CB PRODUCTION ORDER #:
H	ECN-COD-0019653 ADDED FUSES TO ALL RECEPT.	CB 5/16/24	CB FILE LOCATION:
HUSMANN Hussmann Corporation, Intl. 13770 Ramona Avenue Chino, CA. 91710 (909)-590-4910 Lic.#: 644406		IM-05-E5-H PAGE 1 OF 2	

CIRCUIT #1

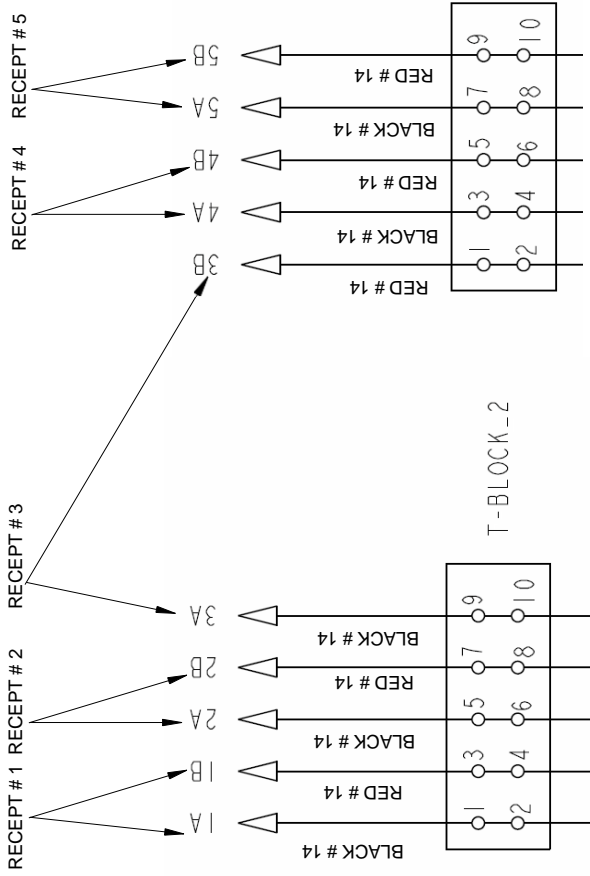
LOADING	
208 V	240V
L1	25.8 29.6
L2	24.5 28.3

**CIRCUIT # 1
CONTINUE
D**

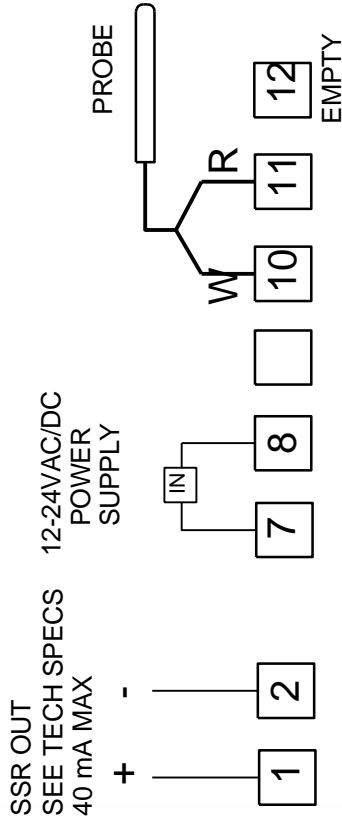
5366W @ 208VAC

**NOTE: CASE MUST
BE GROUNDED**

**HEATER RECEPTACLE WIRING
CONTROL PANEL**



**SENSOR RECEPTACLE WIRING
CONTROL PANEL**

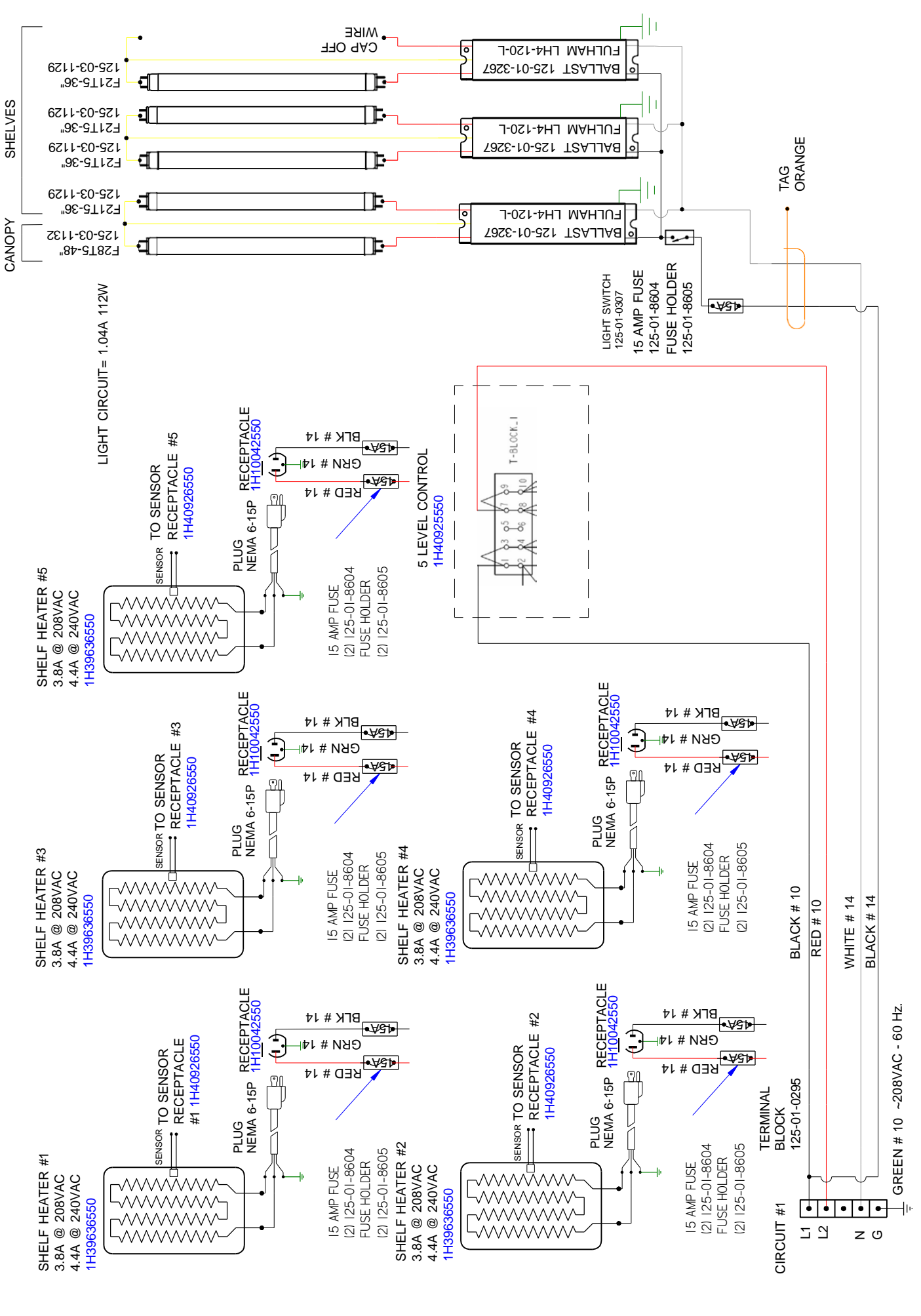


REVISIONS:

#	DESCRIPTION:	DATE:	BY:	CB
F	CN#951945 CHANGED TERMINAL BLOCK	11/5/14	CB	CB
G	ECN-COD-0015281 REVISED C.TLR WIRING	3/21/22	CB	CB
H	ECN-COD-0019653 ADDED FUSES TO ALL RECEPT.	5/16/24	CB	CB

DRAWN BY:	JESSE RIOS
CHECKED BY:	
DATE:	6/25/10
PRODUCTION ORDER #:	
FILE LOCATION:	

PROJECT TITLE:	ISLA HOT
DRAWING TITLE:	IM-05-E5-H
DRAWING #:	W6600002



DRAWN BY: JESSE RIOS		PROJECT TITLE: ISLA HOT		DRAWING #: W6600004	
DATE: 7/19/10	CHECKED BY:	PRODUCTION ORDER #:	DRAWING TITLE:		
7/6/16	CB	3/21/22	IM-05-C4-H		
5/17/24	CB	5/17/24	FILE LOCATION:		
REVISIONS:		ADDED FUSES TO ALL RECEPTACLES			
#	DESCRIPTION:				
D	ECN-CAP-0002614 Match TC Revision				
E	ECN-COD-0015281 Revised CTLR Wiring				
F	ECN-COD-0019654				

CIRCUIT #1

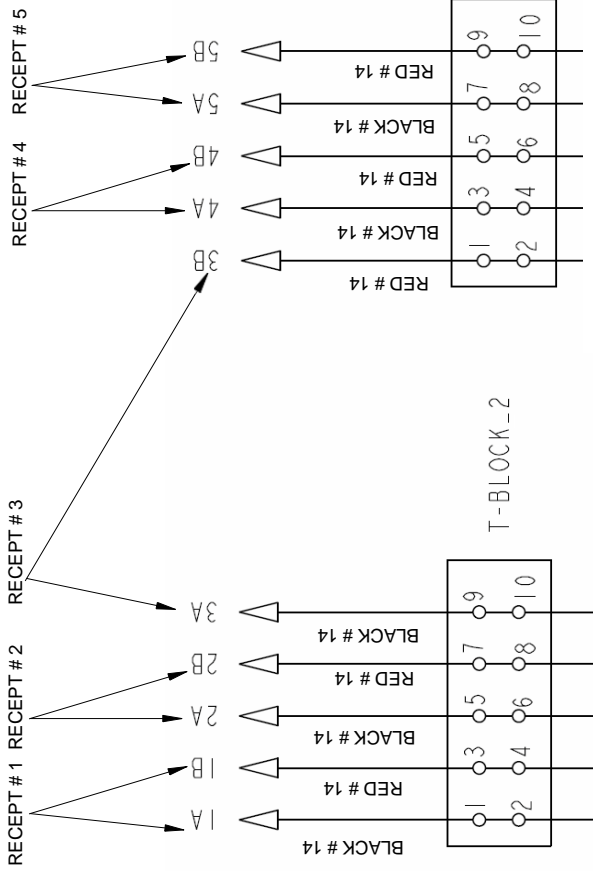
LOADING	208 V	240V
L1	20.0	23.0
L2	19.0	22.0

NOTE: CASE MUST BE GROUNDED

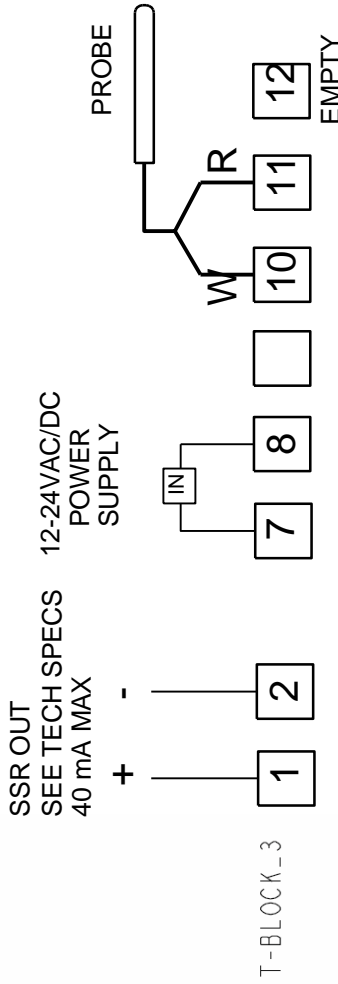
CIRCUIT # 1 CONTINUE D

**4037W @ 208VAC
5392W @ 240VAC**

HEATER RECEPTACLE WIRING CONTROL PANEL



SENSOR RECEPTACLE WIRING CONTROL PANEL

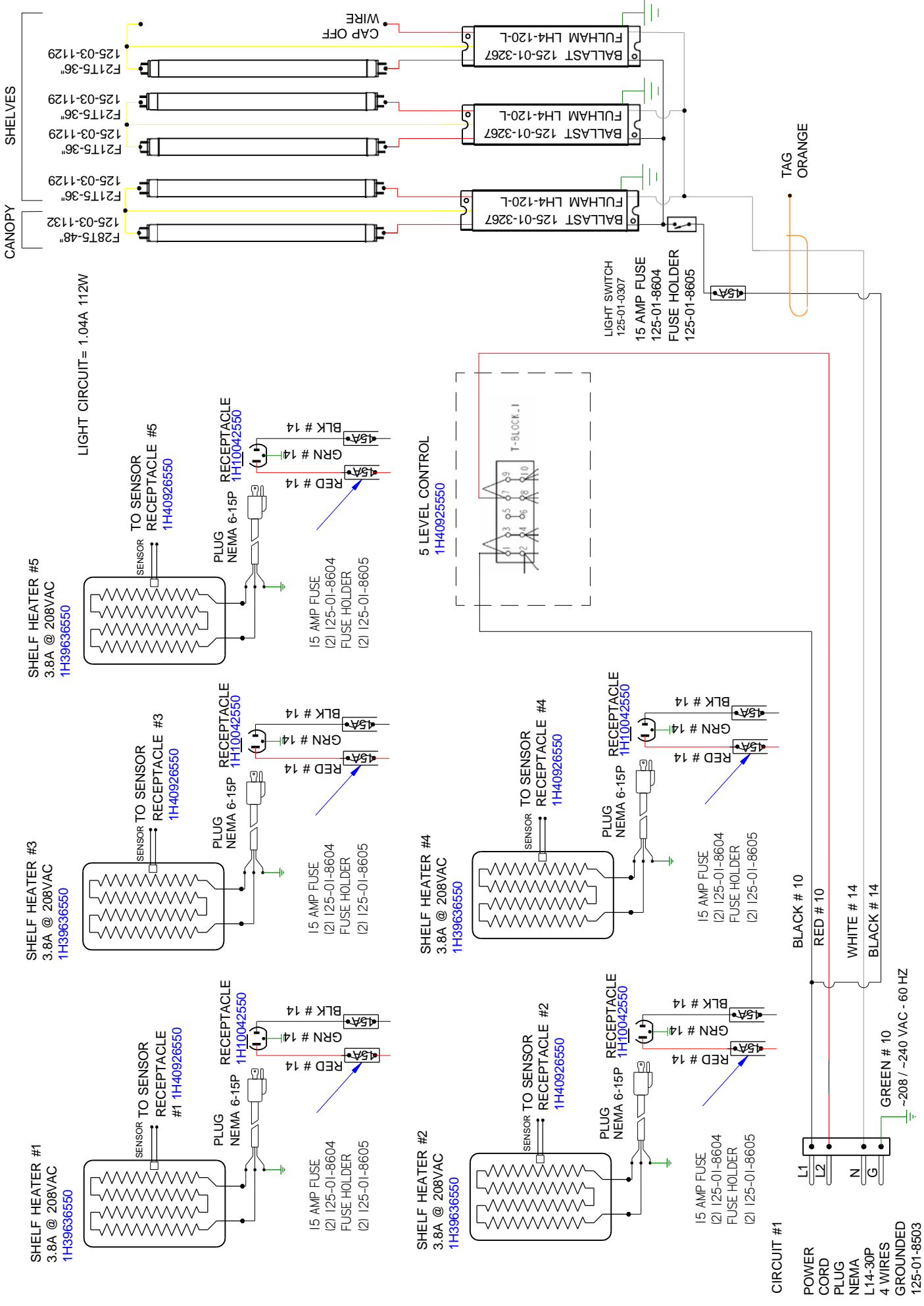


REVISIONS:

#	DESCRIPTION:	DATE:	BY:
D	ECN-CAP-0002614 Match TC Revision	7/6/16	CB
E	ECN-COD-0015281 Revised C/TLR Wiring	3/21/22	CB
F	ECN-COD-0019654 Added Fuses To All Receptacles	5/17/24	CB

DRAWN BY: JESSE RIOS
CHECKED BY: DATE: 7/19/10
PRODUCTION ORDER #:
FILE LOCATION:

PROJECT TITLE: ISLA HOT
DRAWING TITLE: IM-05-C4-H



DRAWN BY: A. MCGOWAN		PROJECT TITLE: ISLA HOT		DRAWING #: W6600006									
DATE: 12/09/10	CHECKED BY:	DATE: 7/6/16	BY: CB	PRODUCTION ORDER #:									
3/22/22	CB	5/22/24	CB	FILE LOCATION:	IM-05-C4-H w/ 30 AMP CORD								
<p>REVISIONS:</p> <table border="1"> <tr> <th>#</th> <th>DESCRIPTION:</th> </tr> <tr> <td>C</td> <td>ECN-CAP-0002614 Matched TC Revision</td> </tr> <tr> <td>D</td> <td>ECN-COD-0015281 Revised CTR Wiring</td> </tr> <tr> <td>E</td> <td>ECN-COD-0019654 Added Fuses To All Receptacles</td> </tr> </table>						#	DESCRIPTION:	C	ECN-CAP-0002614 Matched TC Revision	D	ECN-COD-0015281 Revised CTR Wiring	E	ECN-COD-0019654 Added Fuses To All Receptacles
#	DESCRIPTION:												
C	ECN-CAP-0002614 Matched TC Revision												
D	ECN-COD-0015281 Revised CTR Wiring												
E	ECN-COD-0019654 Added Fuses To All Receptacles												
<p>HUSSMANN Hussmann Corporation, Intl. 13770 Ramona Avenue Chino, CA. 91710 (909)-590-4910 Lic.#: 644406</p>													
PAGE 1 OF 3													

CIRCUIT #1

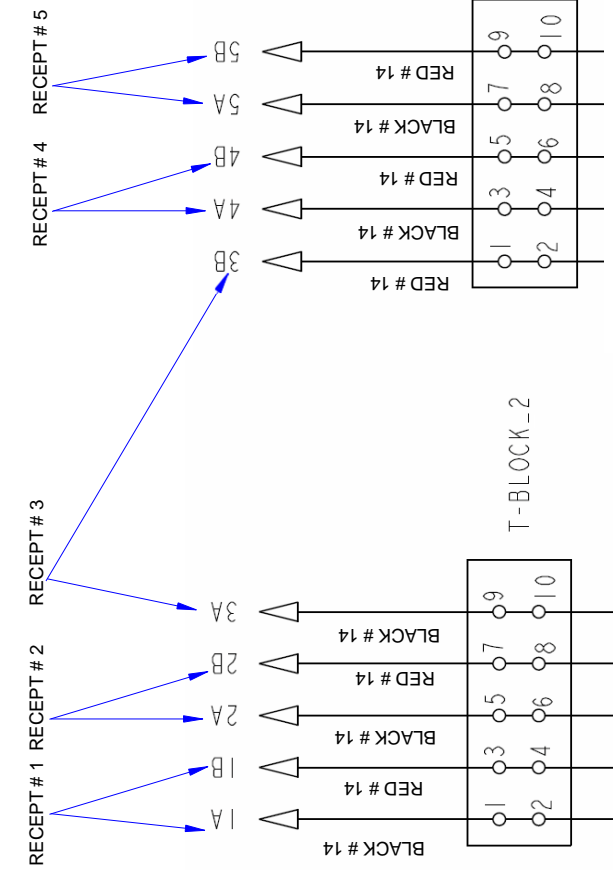
LOADING	
208 V	
L1	20.0
L2	19.0

**CIRCUIT # 1
CONTINUE
D**

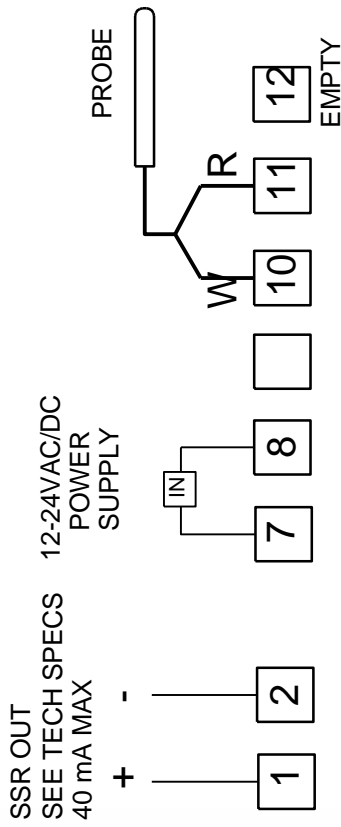
4160W @ 208VAC

**NOTE: CASE MUST
BE GROUNDED**

**HEATER RECEPTACLE WIRING
CONTROL PANEL**



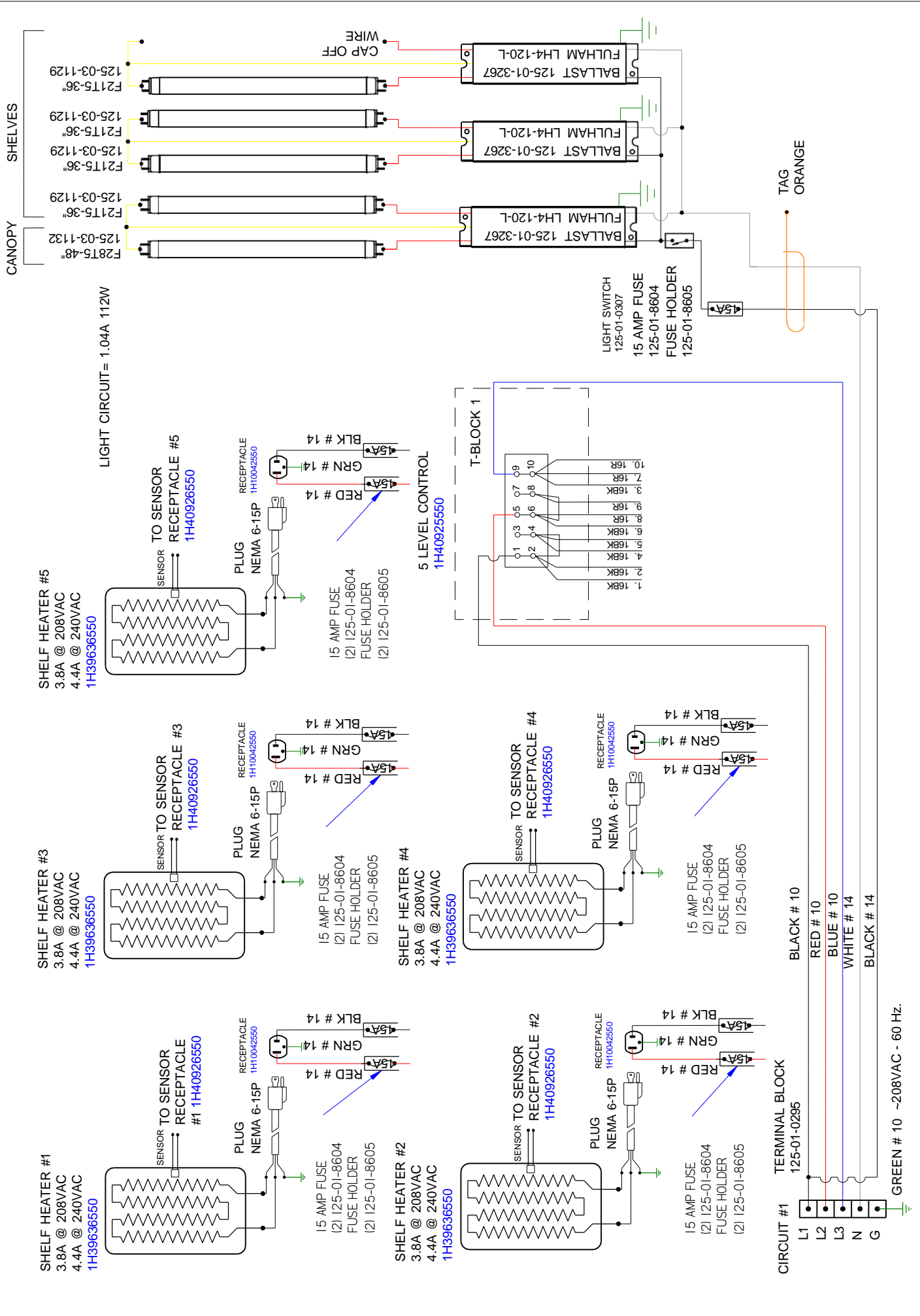
**SENSOR RECEPTACLE WIRING
CONTROL PANEL**



REVISIONS:

#	DESCRIPTION:	DATE:	BY:
C	ECN-CAP-0002614 Matched TC Revision	7/6/16	CB
D	ECN-COD-0015281 Revised CTR Wiring	3/22/22	CB
E	ECN-COD-0019654 Added Fuses To All Receptacles	5/22/24	CB

DRAWN BY: A. MCGOWAN
CHECKED BY: DATE: 7/19/10
PRODUCTION ORDER #:
FILE LOCATION:



DRAWN BY: CRAIG BOOREY		PROJECT TITLE: ISLA HOT		DRAWING #: W6600045	
DATE: 8/9/12	BY: CB	DATE: 8/9/12	CB	DATE: 8/9/12	CB
8/9/12	CB	3/23/22	CB	5/22/24	CB
DESCRIPTION: A CN#634531		REVISIONS:		DRAWING TITLE: IM-05-C4-H 3-PHASE	
B ECN-COD-0015281 REVISED CTRL WIRING		C ECN-COD-0019654 ADDED FUSES TO ALL RECEPT.		FILE LOCATION:	
C		Lic. #: 644406		PAGE 1 OF 3	
Hussmann Corporation, Intl. 13770 Ramona Avenue Chino, CA, 91710 (909)-590-4910		Hussmann®			

CIRCUIT #1

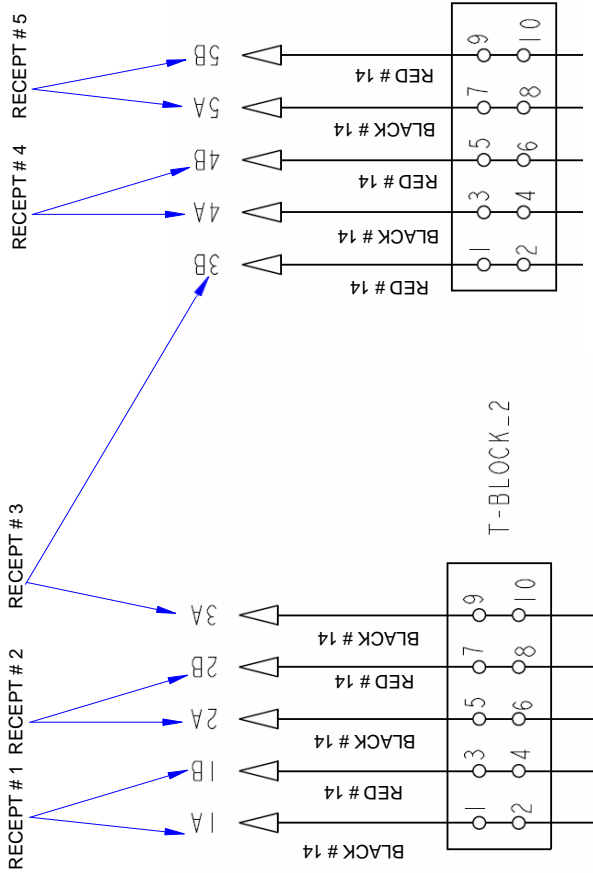
LOADING	
208 V	
L1	12.4
L2	15.2
L3	11.4

NOTE: CASE MUST BE GROUNDED

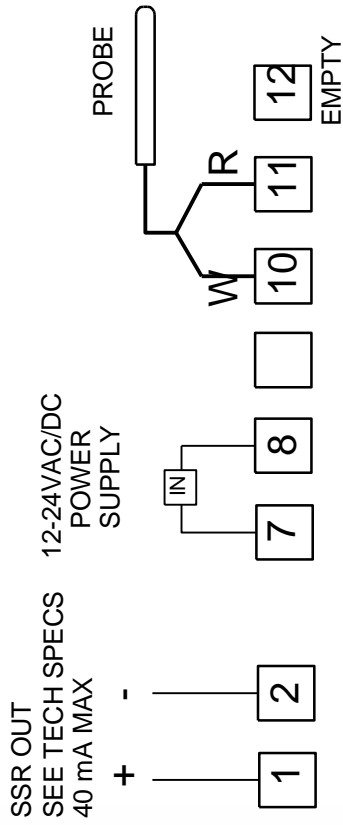
CIRCUIT # 1 CONTINUE D

4683W @ 208VAC

HEATER RECEPTACLE WIRING CONTROL PANEL



SENSOR RECEPTACLE WIRING CONTROL PANEL



REVISIONS:

#	DESCRIPTION:	DATE:	BY:
A	CN#634531	8/9/12	CB
B	ECN-COD-0015281 REVISED CTLR WIRING	3/23/22	CB
C	ECN-COD-0019654 ADDED FUSES TO ALL RECEPT.	5/22/24	CB

DRAWN BY: CRAIG BOOREY
 CHECKED BY: _____
 DATE: 8/9/12
 PRODUCTION ORDER #:
 FILE LOCATION:

PROJECT TITLE: ISLA HOT
 DRAWING TITLE:
 IM-05-C4-H 3-PHASE

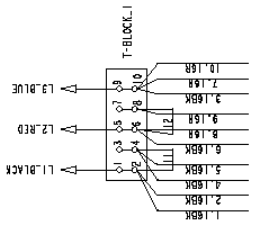
**CIRCUIT # 1
CONTINUE
D**

TERMINAL BLOCK CONNECTIONS

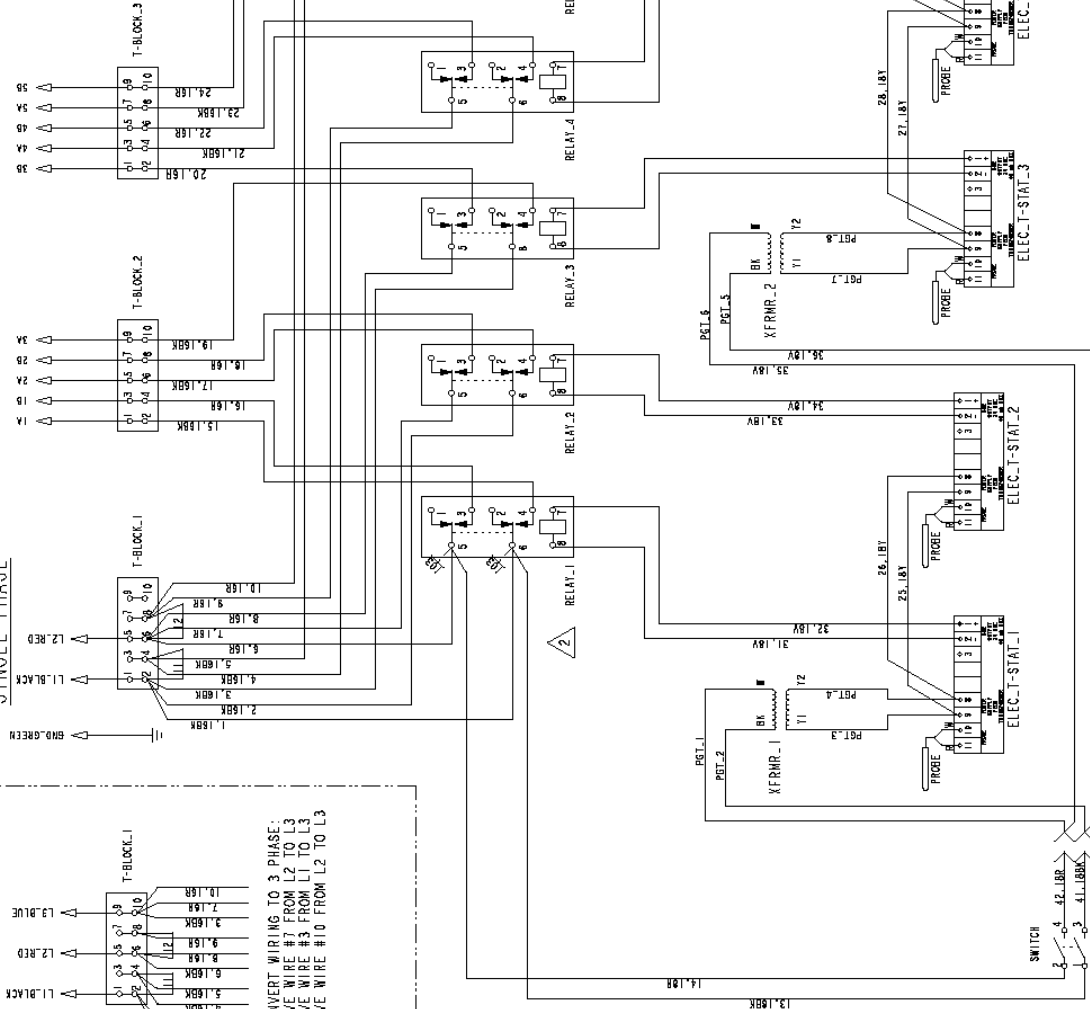
POWER INPUT	SHELF #	WIRE NO.
L1, BLACK	41	1A, 1B
L2, RED	42	2A, 2B
L3, BLACK	43	3A, 3B
NEUTRAL	44	4A, 4B
GROUND	45	5A, 5B

NOTE: ALL WIRES IN T-BLOCK_1 MUST BE LABELED WITH WIRE NUMBERS

POWER INPUT
SINGLE PHASE



TO CONVERT WIRING TO 3 PHASE:
1) MOVE WIRE #7 FROM L2 TO L3
2) MOVE WIRE #3 FROM L1 TO L3
3) MOVE WIRE #10 FROM L2 TO L3



POWER INPUT (Ø) (MAX)	208 VOLTS	240 VOLTS
5 SHELF CONTROLLER	6.150W 29.5A	6.150W 25.5A
POWER INPUT (Ø) (MAX)	208 VOLTS	240 VOLTS
5 SHELF CONTROLLER	6.150W 20.5A	6.150W 17.7A
POWER OUTPUT (MAX)	208 VOLTS	240 VOLTS
SHELF#1 (1A, 1B)	1230W 5.9A	1230W 5.1A
SHELF#2 (2A, 2B)	1230W 5.9A	1230W 5.1A
SHELF#3 (3A, 3B)	1230W 5.9A	1230W 5.1A
SHELF#4 (4A, 4B)	1230W 5.9A	1230W 5.1A
SHELF#5 (5A, 5B)	1230W 5.9A	1230W 5.1A

WIRE NUMBER	SPOOL PART NO.	END 1	END 2	WIRE LENGTH
1	040	538	538	6
2	040	024	538	8
3	040	024	538	9
4	040	024	538	12
5	040	024	538	14
6	041	538	538	4
7	041	024	538	4
8	041	024	538	7
9	041	024	538	8
10	041	024	538	11
11	024	538	538	3
12	024	538	538	3
13	025	072	538	9
14	025	072	538	10
15	040	024	538	3
16	041	024	538	3
17	040	024	538	4
18	041	024	538	3
19	040	024	538	4
20	041	024	538	3
21	040	024	538	5
22	041	024	538	4
23	040	024	538	6
24	041	024	538	5
25	028	514	512	5
26	028	512	512	5
27	028	514	514	5
28	028	514	514	5
29	028	514	514	5
30	028	514	514	5
31	084	038	514	8
32	084	038	514	8
33	084	038	514	7
34	084	038	514	8
35	084	038	514	8
36	084	038	514	7
37	084	038	514	8
38	084	038	514	7
39	084	038	514	9
40	084	038	514	8
41	025	072	538	7
42	025	072	538	7

REV	DESCRIPTION	DATE	BY	CHK
1	RELEASE COUPLERS	11-15-10	MM	MM
2	CONNECTED RELAY SYMBOL, USE SYMBOLS	12-24-12	MM	MM

RELEASE AND REVISION HISTORY

UNLESS OTHERWISE SPECIFIED	HATCO CORP., MILWAUKEE, WI
2 P. 25 OF 3 P. 25 OF 3 P.	WIRING DIAGRAM, 5 SHELF ELECTRONIC CONTROL
DATE: 11/15/10	BY: MM
SCALE: N/A	PROJECT: 990002
SHEET 1 OF 1	

REFERENCE DRAWINGS:
10-02-872 CONTROL PANEL CONSTRUCTION
10-03-727 CONTROL PANEL ASSEMBLY

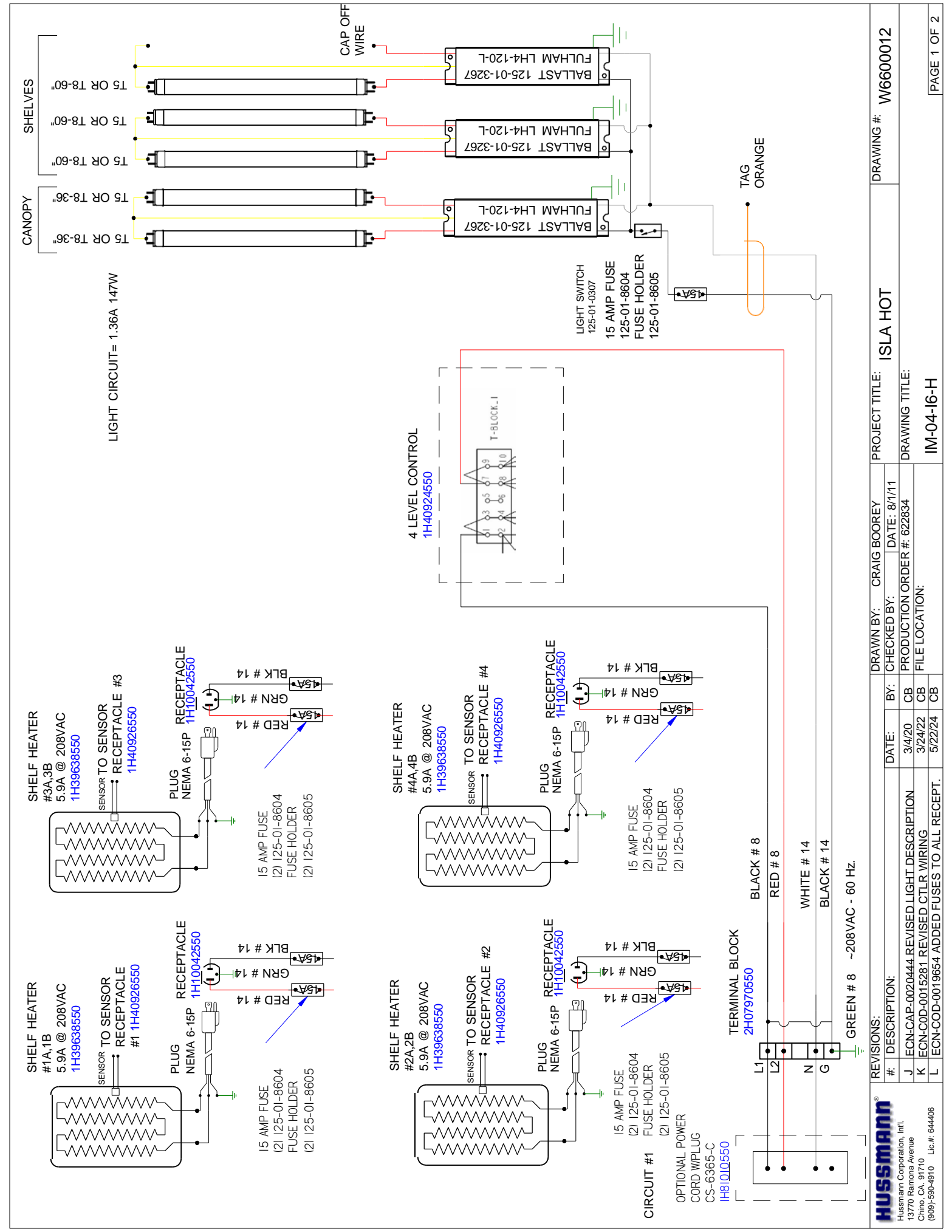
HUSSMANN
Hussmann Corporation, Int'l
13770 Ramona Avenue
Chino, CA, 91710
(909)-590-4910 Lic.#: 644406

REVISIONS:
DESCRIPTION: DATE: BY: CB
A CN#634531 8/9/12 CB
B ECN-COD-0015281 REVISED CTR WIRING 3/23/22 CB
C ECN-COD-0019654 ADDED FUSES TO ALL RECEP. 5/22/24 CB

DRAWN BY: CRAIG BOOREY
CHECKED BY: DATE: 8/9/12
PROJECT TITLE: ISLA HOT
DRAWING ORDER #:
FILE LOCATION:
IM-05-C4-H 3-PHASE

DRAWING #: W6600045

PAGE 3 OF 3



REVISIONS:		DRAWN BY: CRAIG BOOREY	PROJECT TITLE: ISLA HOT	DRAWING #: W6600012
#	DESCRIPTION:	BY:	DATE:	CHECKED BY:
J	ECN-CAP-0020444 REVISED LIGHT DESCRIPTION	CB	3/4/20	DATE: 8/1/11
K	ECN-COD-0015281 REVISED CTRL WIRING	CB	3/24/22	PRODUCTION ORDER #: 622834
L	ECN-COD-0019654 ADDED FUSES TO ALL RECEPT.	CB	5/22/24	FILE LOCATION: IM-04-16-H

CIRCUIT #1

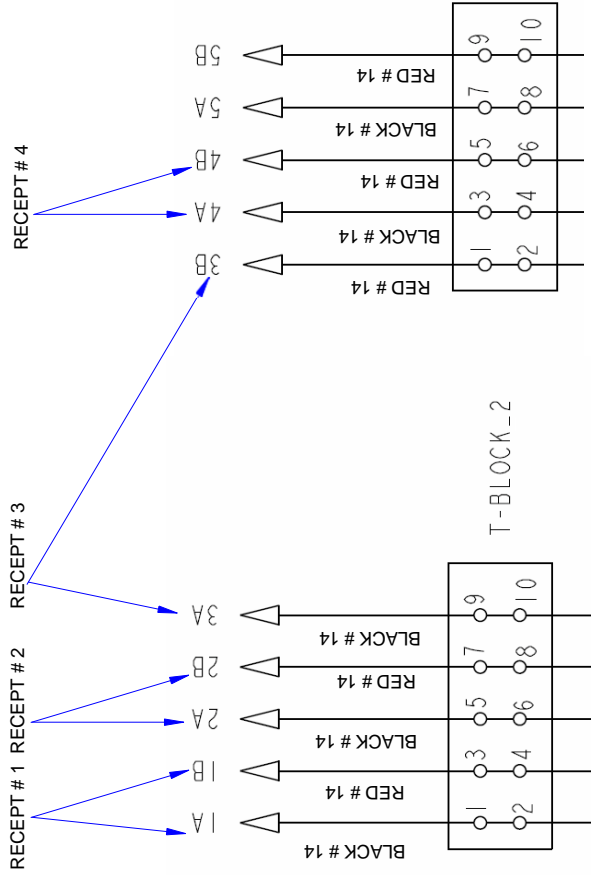
LOADING	
208 V	240V
L1	25.0 28.6
L2	23.6 27.2

**CIRCUIT # 1
CONTINUE
D**

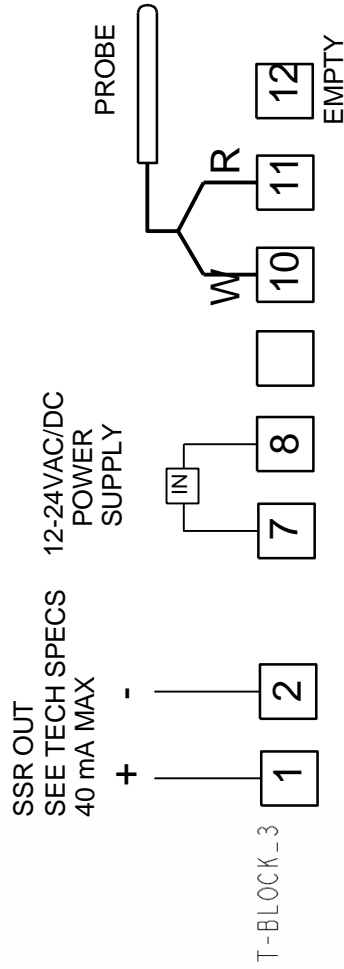
**5200W @ 208VAC
6864W @ 240VAC**

**NOTE: CASE MUST
BE GROUNDED**

**HEATER RECEPTACLE WIRING
CONTROL PANEL**



**SENSOR RECEPTACLE WIRING
CONTROL PANEL**



REVISIONS:

#	DESCRIPTION:	DATE:	BY:
J	ECN-CAP-0020444 REVISED LIGHT DESCRIPTION	3/4/20	CB
K	ECN-COD-0015281 REVISED CTLR WIRING	3/24/22	CB
L	ECN-COD-0019654 ADDED FUSES TO ALL RECEPT.	5/22/24	CB

DRAWN BY: CRAIG BOOREY
CHECKED BY: []
DATE: 8/1/11
PRODUCTION ORDER #: 622834
FILE LOCATION:

PROJECT TITLE: ISLA HOT
DRAWING TITLE:
IM-04-16-H

CIRCUIT #1

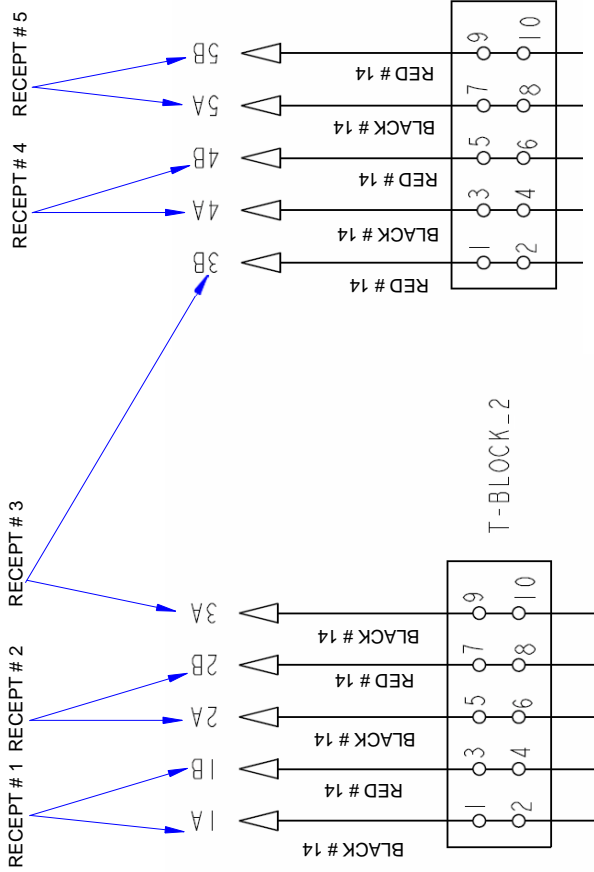
LOADING	
208 V	
L1	31.2
L2	29.5

**CIRCUIT # 1
CONTINUE
D**

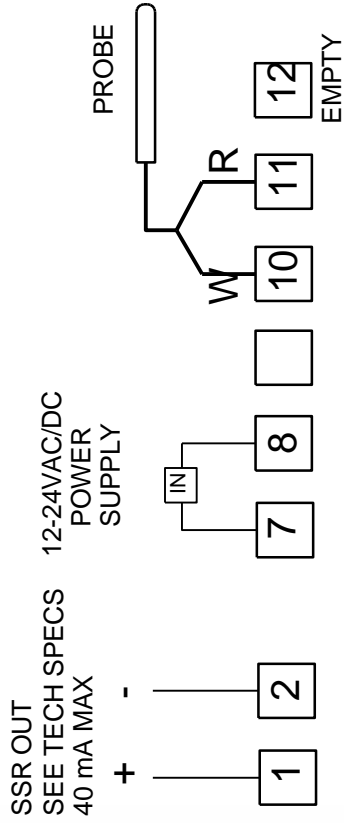
6490W @ 208VAC

**NOTE: CASE MUST
BE GROUNDED**

**HEATER RECEPTACLE WIRING
CONTROL PANEL**



**SENSOR RECEPTACLE WIRING
CONTROL PANEL**



REVISIONS:

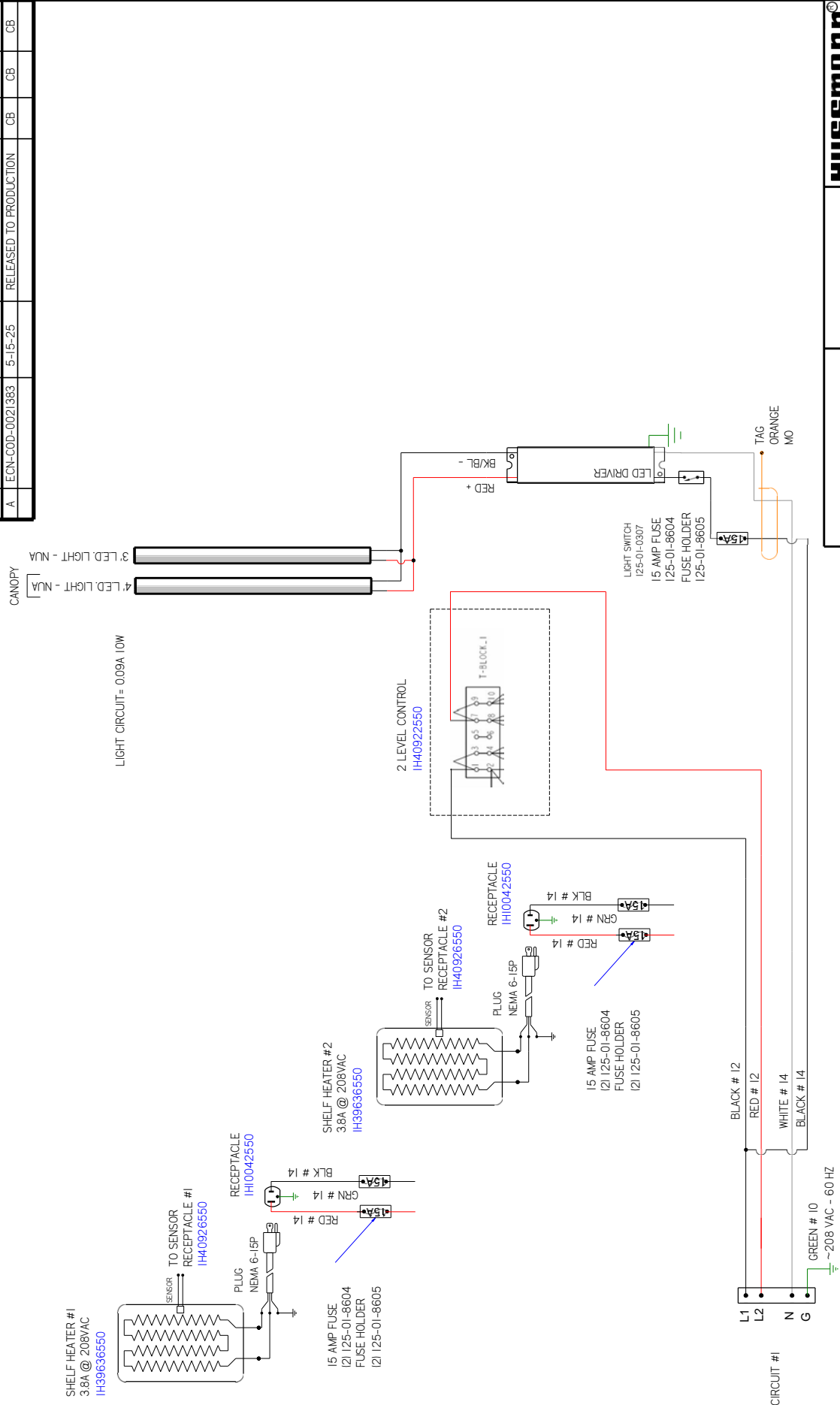
#	DESCRIPTION:	DATE:	BY:
C	CN#951945 Changed Terminal Block	11/5/14	CB
D	ECN-COD-0015281 Revised CTLR Wiring	3/24/22	CB
E	ECN-COD-0019654 Added Fuses To All Receptacles	5/22/24	CB

DRAWN BY: JESSE RIOS	PROJECT TITLE: ISLA HOT
CHECKED BY:	DRAWING TITLE: IM-05-C6-H
DATE: 7/16/10	PRODUCTION ORDER #:
FILE LOCATION:	

Electrical Wiring Diagrams (With LED Lights)

W/LED LIGHTS	IM-02-I4-H208 W/LED LIGHTS	4'	W6601059
	IM-02-I12-H208 W/LED LIGHTS	12'	W6601060
	IM-03-I3-H208 W/LED LIGHTS	3'	W6601061
	IM-03-I4-H208 W/LED LIGHTS	4'	W6601055
	IM-03-I6-H208 W/LED LIGHTS	6'	W6601056
	IM-03-I8-H208 W/LED LIGHTS	8'	W6601062
	IM-04-I2-H208 W/LED LIGHTS	2'	W6601063
	IM-04-I3-H208 W/LED LIGHTS	3'	W6601041
	IM-04-I4-H208 W/LED LIGHTS	4'	W6601044
	IM-04-I5-H208 W/LED LIGHTS	5'	W6601039
	IM-04-I6-H208 W/LED LIGHTS	6'	W6601042
	IM-04-I8-H208 W/LED LIGHTS	8'	W6601040
	IM-05-I3-H208 W/LED LIGHTS	3'	W6601058
	IM-05-C4-H208 W/LED LIGHTS	4'	W6601054
	IM-05-C5-H208 W/LED LIGHTS	5'	W6601053
	IM-05-I6-H208 W/LED LIGHTS	6'	W6601049
	IM-08-I3-H208 W/LED LIGHTS	3'	W6601057

REVISION HISTORY			
REV	ECN	DATE	REVISION DESCRIPTION
A	ECN-COD-0021383	5-15-25	RELEASED TO PRODUCTION
			REV BY (CHKD BY) APPR BY
			CB CB CB



FACTORY 14GA WIRE	
FACTORY 10GA WIRE	---
FIELD WIRE	---

UL COLOR CODES / ABBREVIATIONS	
RED = RD	WHITE = WT
BLACK = BK	GREEN = GN
BLUE = BL	BROWN = BN
YELLOW = YL	ORANGE = OR
GRAY = GR	OR VIOLET = VT

WIRE MARKER COLORS/ABBREVIATIONS	
BLACK = MBK	MAROON = MRO
BLUE = MBL	MMR ORANGE = MMR OR
BROWN = MBR	MO PINK = MPI
DARK BLUE = MDB	PURPLE = MP
GREEN = MG	RED = MR
LIGHT BLUE = MLB	YELLOW = MYL

DO NOT SCALE DRAWING
SHEET 1 OF 2

NOTES:
1. PRINTED DOCUMENT REQUIRED SETTING: ALL COLORS BLACK & WHITE
2. CASE & ANY REMOVABLE PANEL WITH ELECTRICAL PARTS MUST BE GROUNDED.
3. WHEN PASSING WIRES THROUGH METAL HOLES A GROMMET MUST BE USED

CIRCUIT #1

LOADING
208
L1 7.7
L2 7.6

1602W @ 208VAC

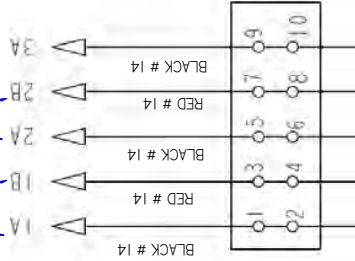
CIRCUIT #1
CONTINUED

HEATER RECEPTACLE WIRING
CONTROL PANEL

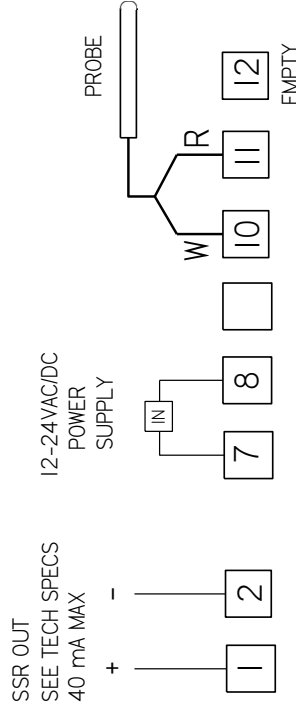
NOTE: CASE MUST BE
GROUNDED

RECEPT #1
TOP SHELF

RECEPT #2
BTM SHELF



SENSOR RECEPTACLE WIRING
CONTROL PANEL



- NOTES:
1. PRINTED DOCUMENT REQUIRED SETTING: ALL COLORS BLACK & WHITE
 2. CASE & ANY REMOVABLE PANEL WITH ELECTRICAL PARTS MUST BE GROUNDED.
 3. WHEN PASSING WIRES THROUGH METAL HOLES A GROMMET MUST BE USED

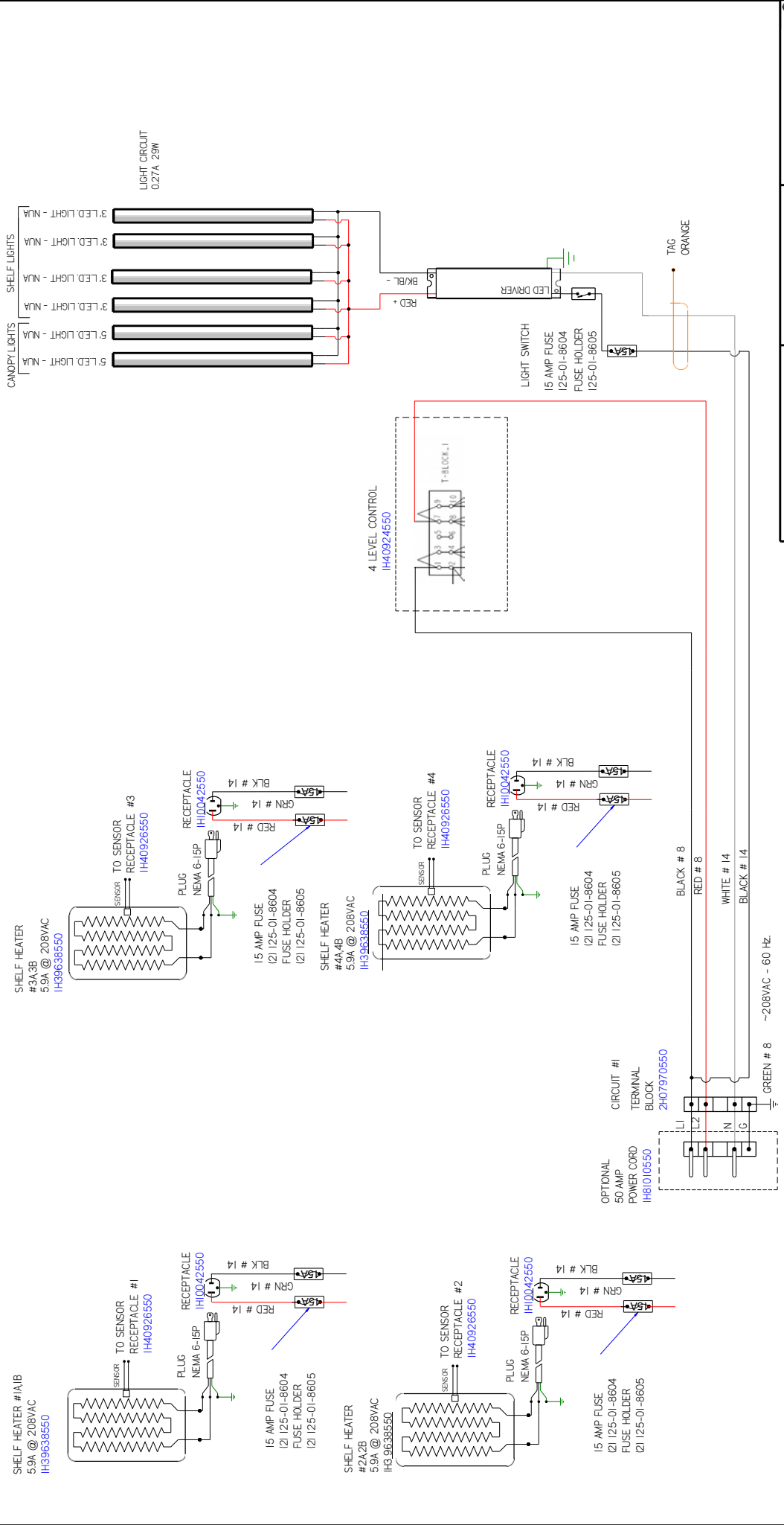
WIRE MARKER COLORS/ABBREVIATIONS:

BLACK = MBK	MAROON =
BLUE = MBL	MMR ORANGE =
BROWN = MBR	MO PINK = MPI
DARK BLUE = MDB	PURPLE = MP
GREEN = MG	RED = MR
LIGHT BLUE = MLB	YELLOW = MYL

UL COLOR CODES / ABBREVIATIONS:

RED = RD	WHITE = WT
BLACK = BK	GREEN = GN
BLUE = BL	BROWN = BN
YELLOW = YL	ORANGE =
YL GRAY =	OR VIOLET =
GY	VT

REVISION HISTORY			
REV	ECN	DATE	REVISION DESCRIPTION
A	ECN-COD-0021383	5-15-25	RELEASED TO PRODUCTION
			REV BY CHKD BY APPR BY
			CB CB CB CB



HUSSMANN
DIAGRAM-IM-02-112-H208 WLED LIGHTS

FACTORY 14GA WIRE
FACTORY 10GA WIRE
FIELD WIRE
DO NOT SCALE DRAWING
SHEET 1 OF 2

- NOTES:**
1. PRINTED DOCUMENT REQUIRED SETTING: ALL COLORS BLACK & WHITE
 2. CASE & ANY REMOVABLE PANEL WITH ELECTRICAL PARTS MUST BE GROUNDED.
 3. WHEN PASSING WIRES THROUGH METAL HOLES A GROMMET MUST BE USED

CIRCUIT #1

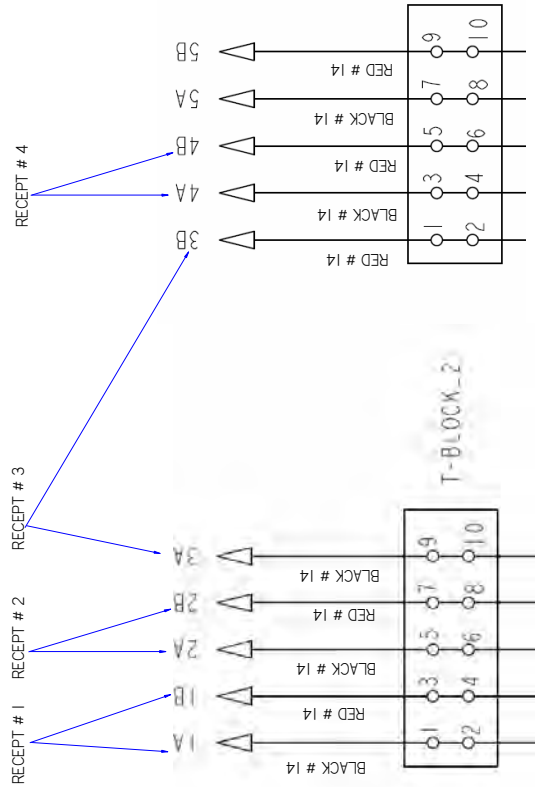
LOADING
208
L1 239
L V23

4971W @208VAC

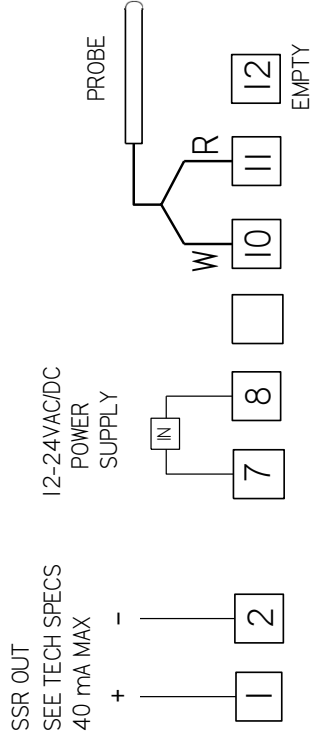
NOTE: CASE MUST BE GROUNDED

CIRCUIT #1
CONTINUED

HEATER RECEPTACLE WIRING
CONTROL PANEL



SENSOR RECEPTACLE WIRING
CONTROL PANEL



WIRE MARKER COLORS/ABBREVIATIONS:

BLACK = MBK	MAROON =
BLUE = MBL	MNR ORANGE =
BROWN = MBR	MO PINK = MPI
DARK BLUE = MDB	PURPLE = MP
GREEN = MG	RED = MR
LIGHT BLUE = MLB	YELLOW = MYL

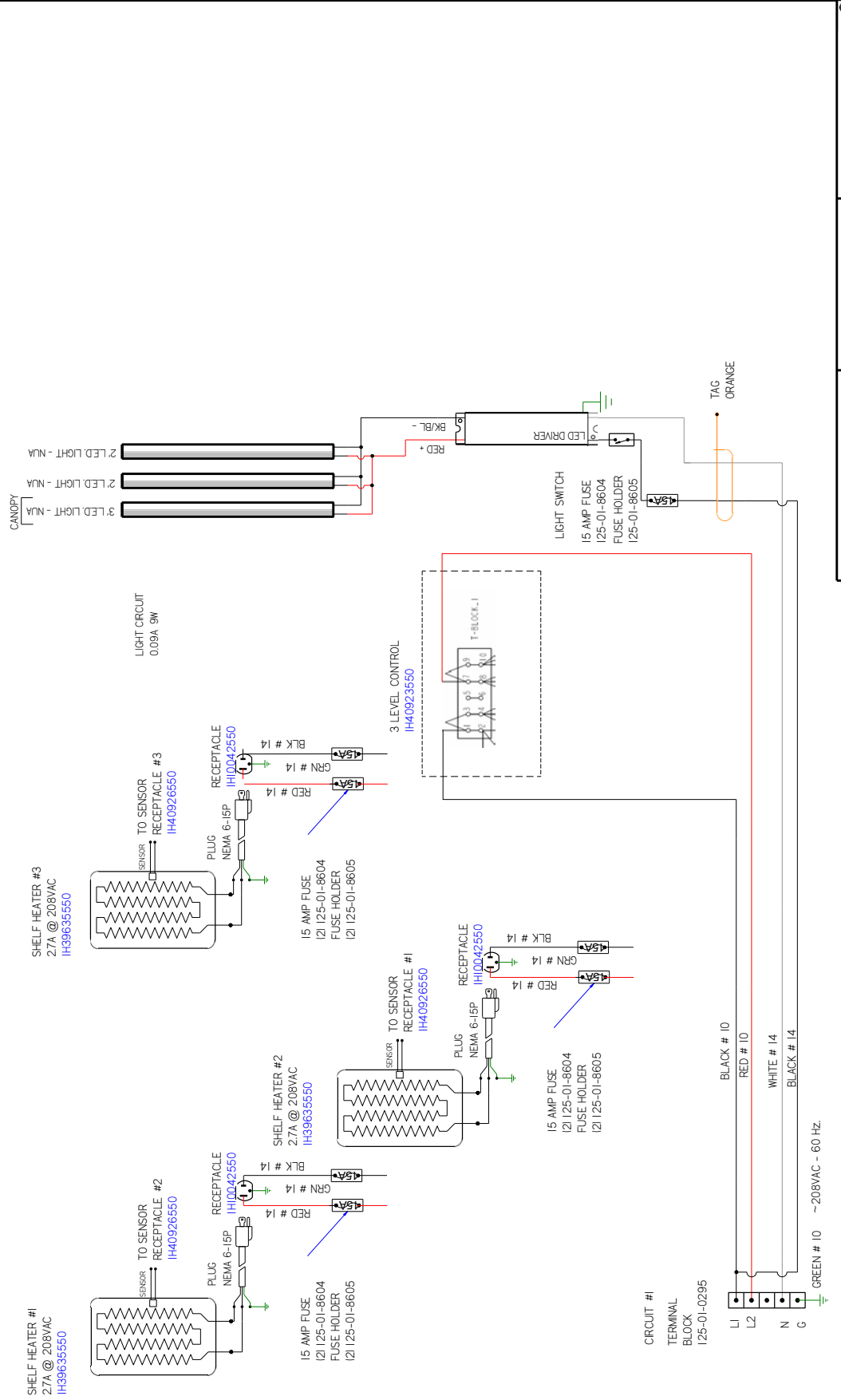
UL COLOR CODES / ABBREVIATIONS:

RED = RD	WHITE = WT
BLACK = BK	GREEN = GN
BLUE = BL	BROWN = BN
YELLOW =	ORANGE =
YL GRAY =	OR VIOLET =
GY	VT

HUSSMANN
DIAGRAM-IM-02-I12-
H208 WILED LIGHTS
DO NOT SCALE DRAWING
SHEET 2 OF 2

- NOTES:
1. PRINTED DOCUMENT REQUIRED SETTING: ALL COLORS BLACK & WHITE
 2. CASE & ANY REMOVABLE PANEL WITH ELECTRICAL PARTS MUST BE GROUNDED.
 3. WHEN PASSING WIRES THROUGH METAL HOLES A GROMMET MUST BE USED

REVISION HISTORY			
REV	ECN	DATE	REVISION DESCRIPTION
A	ECN-COD-0021383	5-16-25	RELEASED TO PRODUCTION
			REV BY CHKD BY APPR BY
			CB CB CB



UL COLOR CODES / ABBREVIATIONS	
RED = RD	WHITE = WT
BLACK = BK	GREEN = GN
BLUE = BL	BROWN = BN
YELLOW = YL	ORANGE = OR
YL GRAY = GY	OR VIOLET = VT

WIRE MARKER COLORS/ABBREVIATIONS	
BLACK = MBK	MAROON =
BLUE = MBL	MMR ORANGE =
BROWN = MBR	MO PINK = MPI
DARK BLUE = MDB	PURPLE = MP
GREEN = MG	RED = MR
LIGHT BLUE = MLB	YELLOW = MYL

FACTORY 14GA WIRE	
FACTORY 14GA WIRE	---
FIELD WIRE	---

DO NOT SCALE DRAWING	
SHEET 1 OF 2	

HUSSMANN
DIAGRAM-IM-03-13-H
208 WLED LIGHTS

NOTES:
 1. PRINTED DOCUMENT REQUIRED SETTING: ALL COLORS BLACK & WHITE
 2. CASE & ANY REMOVABLE PANEL WITH ELECTRICAL PARTS MUST BE GROUNDED.
 3. WHEN PASSING WIRES THROUGH METAL HOLES A GROMMET MUST BE USED

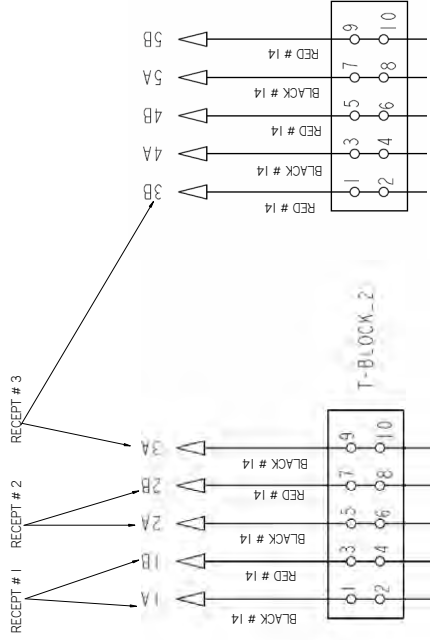
CIRCUIT #1	LOADING
	208
L1	85
L	V8T

NOTE: CASE MUST BE GROUND

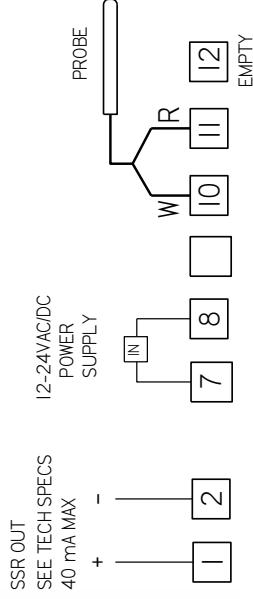
CIRCUIT # 1 CONTINUED

17B8W @ 208VAC

HEATER RECEPTACLE WIRING CONTROL PANEL



SENSOR RECEPTACLE WIRING CONTROL PANEL



WIRE MARKER COLORS/ABBREVIATIONS:

BLACK = MBK	MAROON =
BLUE = MBL	MMR ORANGE =
BROWN = MBR	MO PINK = MPI
DARK BLUE = MDB	PURPLE = MP
GREEN = MG	RED = MR
LIGHT BLUE = MLB	YELLOW = MYL

UL COLOR CODES / ABBREVIATIONS:

RED = RD	WHITE = WT
BLACK = BK	GREEN = GN
BLUE = BL	BROWN = BN
YELLOW =	ORANGE =
YL GRAY =	OR VIOLET =
GY	VT

- NOTES:
1. PRINTED DOCUMENT REQUIRED SETTING: ALL COLORS BLACK & WHITE
 2. CASE & ANY REMOVABLE PANEL WITH ELECTRICAL PARTS MUST BE GROUND.
 3. WHEN PASSING WIRES THROUGH METAL HOLES A GROMMET MUST BE USED

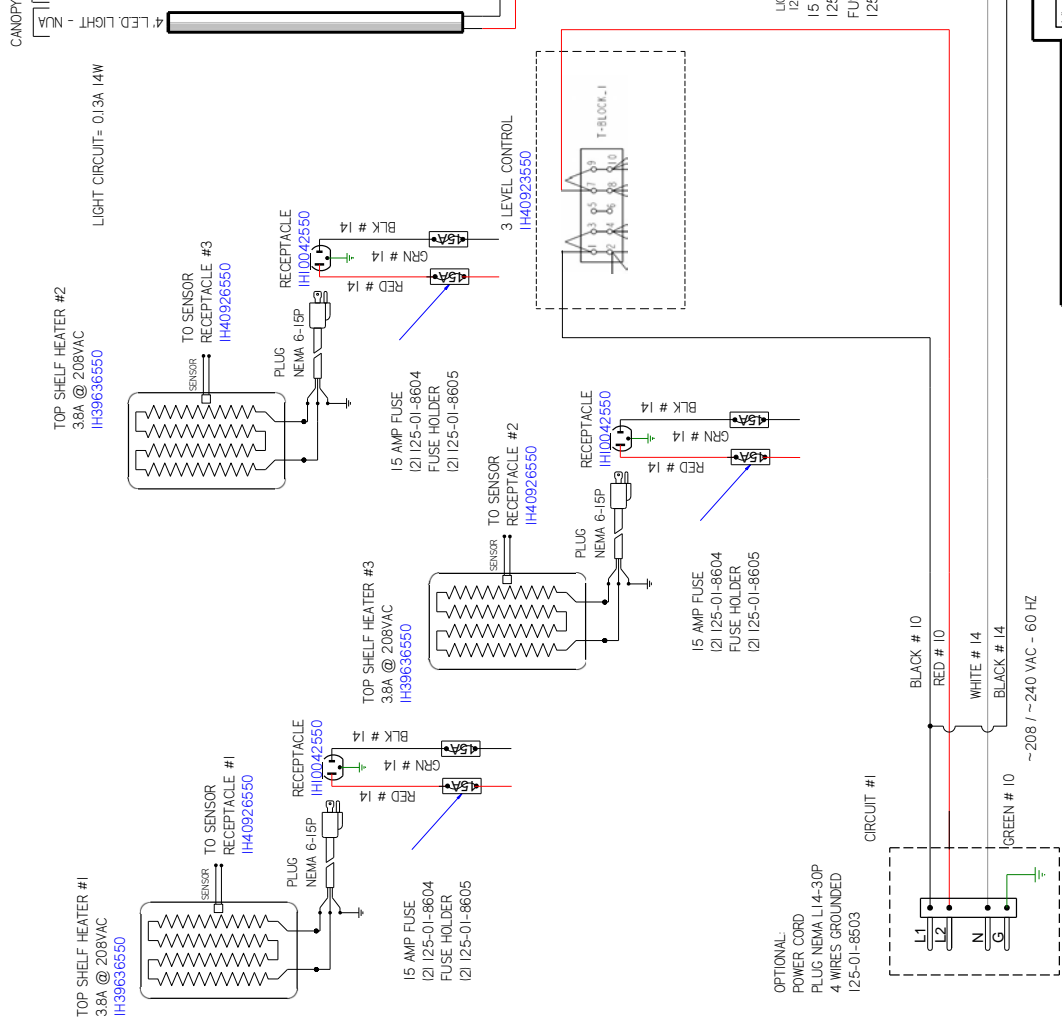
FACTORY 14GA WIRE
 _FACTORY 10GA WIRE
 _ _ _ _ _ FIELD WIRE - - -
 DO NOT SCALE DRAWING
 SHEET 2 OF 2

W6601061

A

REVISION HISTORY			
REV	ECN	DATE	DESCRIPTION
A	ECN-COD-0021382	5-14-25	RELEASED TO PRODUCTION
B	ECN-COD-0021383	5-15-25	REVISED MODEL NAME

REV	CHKD BY	APPR BY
CB	CB	CB
CB	CB	CB
CB	CB	CB



HUSSMANN

DIAGRAM-IM-03-14-H
208 WIRED LIGHTS

FACTORY 14GA WIRE

FACTORY 10GA WIRE

FIELD WIRE

DO NOT SCALE DRAWING

SHEET 1 OF 2

W6601055

W6601055

UL COLOR CODES / ABBREVIATIONS

RED = RD	WHITE = WT
BLACK = BK	BROWN = BN
BLUE = BL	ORANGE = OR
YELLOW = YL	GRAY = GR
OR VIOLET =	VIOLET = VT

WIRE MARKER COLORS/ABBREVIATIONS

MAROON =	ORANGE =
MNR ORANGE =	GN
MO PINK = MPI	BL
DARK BLUE = MDB	MP
GREEN = MG	MR
LIGHT BLUE = MLB	MYL

NOTES:

1. PRINTED DOCUMENT REQUIRED SETTING: ALL COLORS BLACK & WHITE
2. CASE & ANY REMOVABLE PANEL WITH ELECTRICAL PARTS MUST BE GROUNDED.
3. WHEN PASSING WIRES THROUGH METAL HOLES A GROMMET MUST BE USED

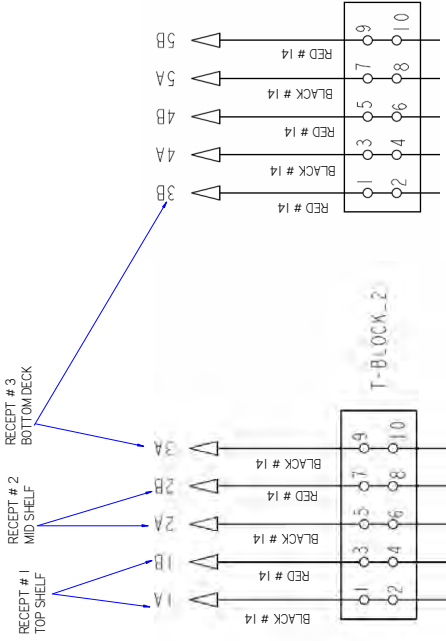
CIRCUIT #1	LOADING
208	
116	
114	

CIRCUIT # 1
CONTINUED

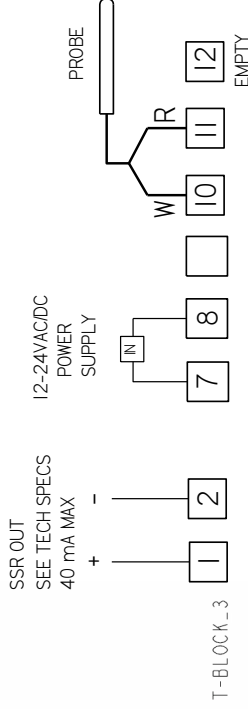
2Ø13W @ 208VAC

NOTE: CASE MUST BE
GROUNDED

HEATER RECEPTACLE WIRING
CONTROL PANEL



SENSOR RECEPTACLE WIRING
CONTROL PANEL



- NOTES:
1. PRINTED DOCUMENT REQUIRED SETTING: ALL COLORS BLACK & WHITE
 2. CASE & ANY REMOVABLE PANEL WITH ELECTRICAL PARTS MUST BE GROUNDED.
 3. WHEN PASSING WIRES THROUGH METAL HOLES A GROMMET MUST BE USED

WIRE MARKER COLORS/ABBREVIATIONS:

BLACK = MBK	MAROON =
BLUE = MBL	MMR ORANGE =
BROWN = MBR	MO PINK = MPI
DARK BLUE = MDB	PURPLE = MP
GREEN = MG	RED = MR
LIGHT BLUE = MLB	YELLOW = MYL

UL COLOR CODES / ABBREVIATIONS:

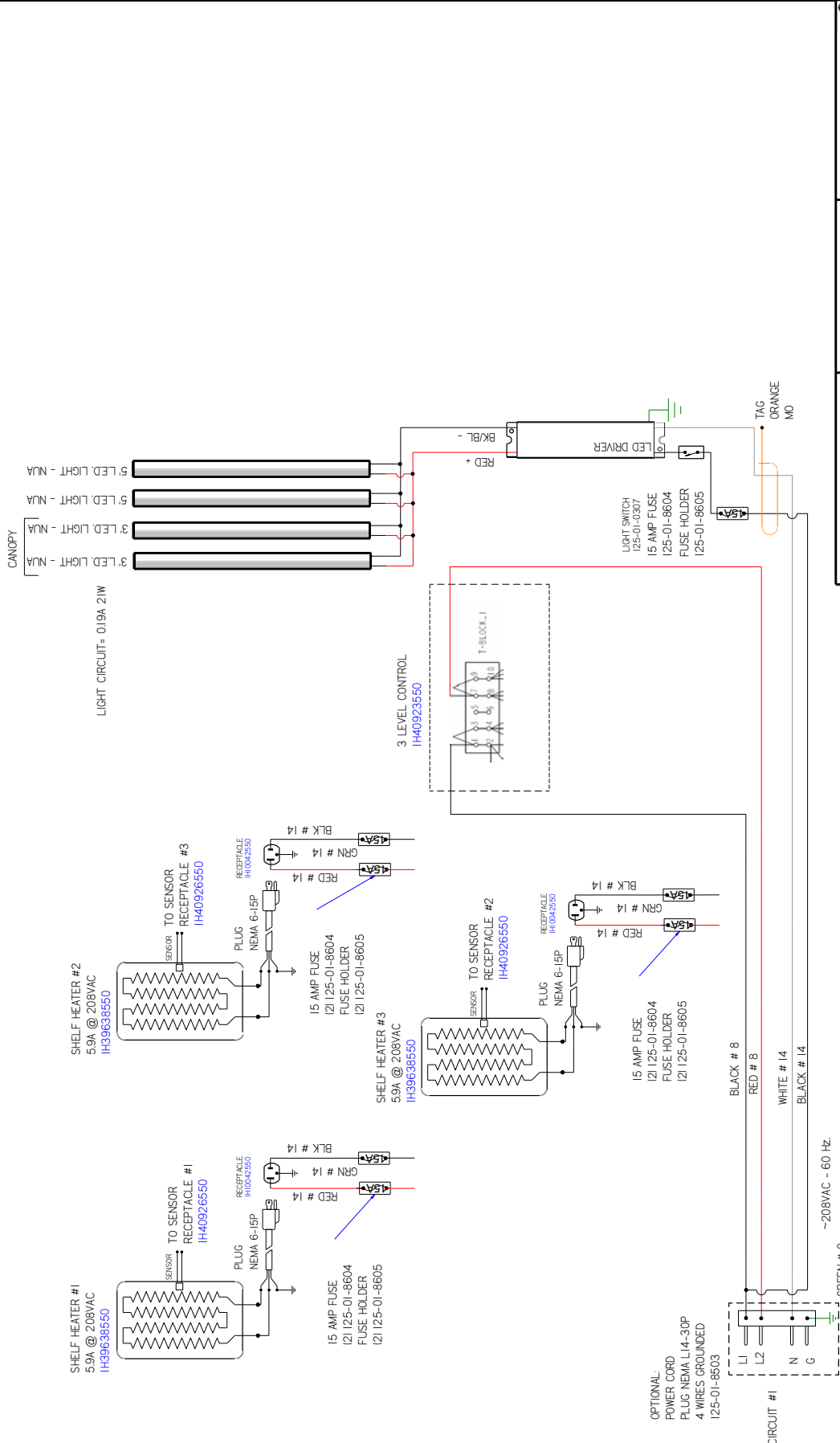
RED = RD	WHITE = WT
BLACK = BK	GREEN = GN
BLUE = BL	BROWN = BN
YELLOW = YL	ORANGE =
YL GRAY =	OR VIOLET =
GY	VT

HUSSMANN
DIAGRAM-IM-03-14-H
208 WIRED LIGHTS

W6601055 | B

FACTORY 14GA WIRE
_FACTORY 10GA WIRE
_ _ _ _ _ FIELD WIRE
DO NOT SCALE DRAWING
SHEET 2 OF 2

REVISION HISTORY			
REV	ECN	DATE	REVISION DESCRIPTION
A	ECN-COD-0021382	5-15-25	RELEASED TO PRODUCTION
			REV BY CHKD BY APPR BY
			CB CB CB CB



UL COLOR CODES / ABBREVIATIONS	
RED = RD	WHITE = WT
BLACK = BK	GREEN = GN
BLUE = BL	BROWN = BN
YELLOW = YL	ORANGE = OR
GRAY = GR	OR VIOLET = VT

WIRE MARKER COLORS/ABBREVIATIONS	
BLACK = MBK	MAROON =
BLUE = MBL	MMR ORANGE =
BROWN = MBR	MO PINK = MPI
DARK BLUE = MDB	PURPLE = MP
GREEN = MG	RED = MR
LIGHT BLUE = MLB	YELLOW = MYL

FACTORY 14GA WIRE	
FACTORY LOGGA WIRE	---
FIELD WIRE	---

DO NOT SCALE DRAWING	
SHEET 1 OF 2	

HUSSMANN
DIAGRAM-IM-03-16-H
208 WIRED LIGHTS

W6601056
 137

- NOTES:
1. PRINTED DOCUMENT REQUIRED SETTING: ALL COLORS BLACK & WHITE
 2. CASE & ANY REMOVABLE PANEL WITH ELECTRICAL PARTS MUST BE GROUNDED.
 3. WHEN PASSING WIRES THROUGH METAL HOLES A GROMMET MUST BE USED

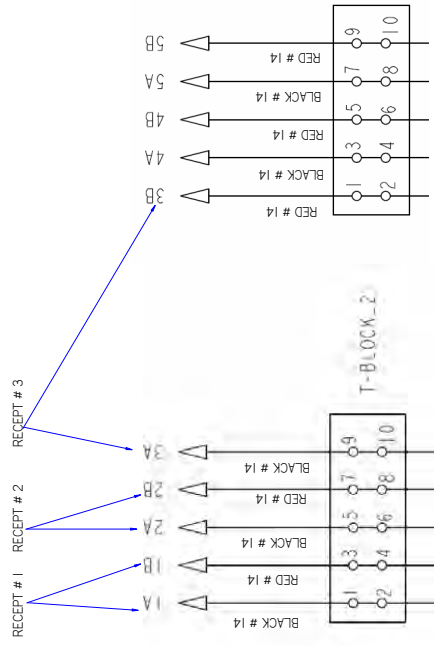
CIRCUIT #1	LOADING
208	
L1	17.9
L2	17.7

CIRCUIT #1
CONTINUED

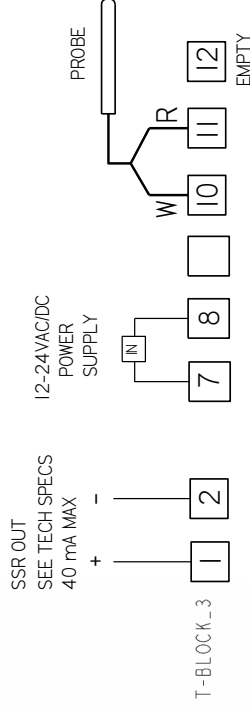
3723W @ 208VAC

NOTE: CASE MUST BE
GROUNDED

HEATER RECEPTACLE WIRING
CONTROL PANEL



SENSOR RECEPTACLE WIRING
CONTROL PANEL



- NOTES:
1. PRINTED DOCUMENT REQUIRED SETTING: ALL COLORS BLACK & WHITE
 2. CASE & ANY REMOVABLE PANEL WITH ELECTRICAL PARTS MUST BE GROUNDED.
 3. WHEN PASSING WIRES THROUGH METAL HOLES A GROMMET MUST BE USED

WIRE MARKER COLORS/ABBREVIATIONS:

BLACK = MBK	MAROON =
BLUE = MBL	MMR ORANGE =
BROWN = MBR	MO PINK = MPI
DARK BLUE = MDB	PURPLE = MP
GREEN = MG	RED = MR
LIGHT BLUE = MLB	YELLOW = MYL

UL COLOR CODES / ABBREVIATIONS:

RED = RD	WHITE = WT
BLACK = BK	GREEN = GN
BLUE = BL	BROWN = BN
YELLOW =	ORANGE =
YL GRAY =	OR VIOLET =
GY	VT

FACTORY 14GA WIRE
_FACTORY 10GA WIRE
--- FIELD WIRE ---
DO NOT SCALE DRAWING
SHEET 2 OF 2

HUSSMANN
DIAGRAM-IM-03-16-H
208 WIRED LIGHTS
W6601056
A

CIRCUIT

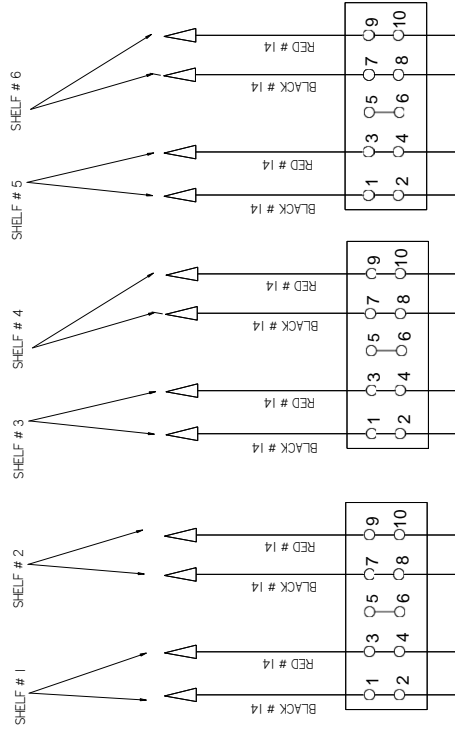
LOADING	
208	240V
L1	231 26.7
L	228 26.4

NOTE: CASE MUST BE GROUNDED

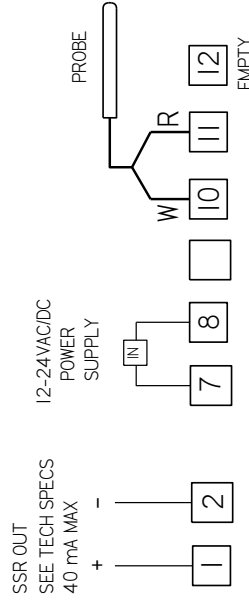
CIRCUIT # 1
CONTINUED

4805W @ 208VAC
6408W @ 240VAC

HEATER RECEPTACLE WIRING
CONTROL PANEL



SENSOR RECEPTACLE WIRING
CONTROL PANEL



NOTES:
1. PRINTED DOCUMENT REQUIRED SETTING: ALL COLORS BLACK & WHITE
2. CASE & ANY REMOVABLE PANEL WITH ELECTRICAL PARTS MUST BE GROUNDED.
3. WHEN PASSING WIRES THROUGH METAL HOLES A GROMMET MUST BE USED

WIRE MARKER COLORS/ABBREVIATIONS:

BLACK = MBK	MAROON =
BLUE = MBL	MNR ORANGE =
BROWN = MBR	MO PINK = MPI
DARK BLUE = MDB	PURPLE = MP
GREEN = MG	RED = MR
LIGHT BLUE = MLB	YELLOW = MYL

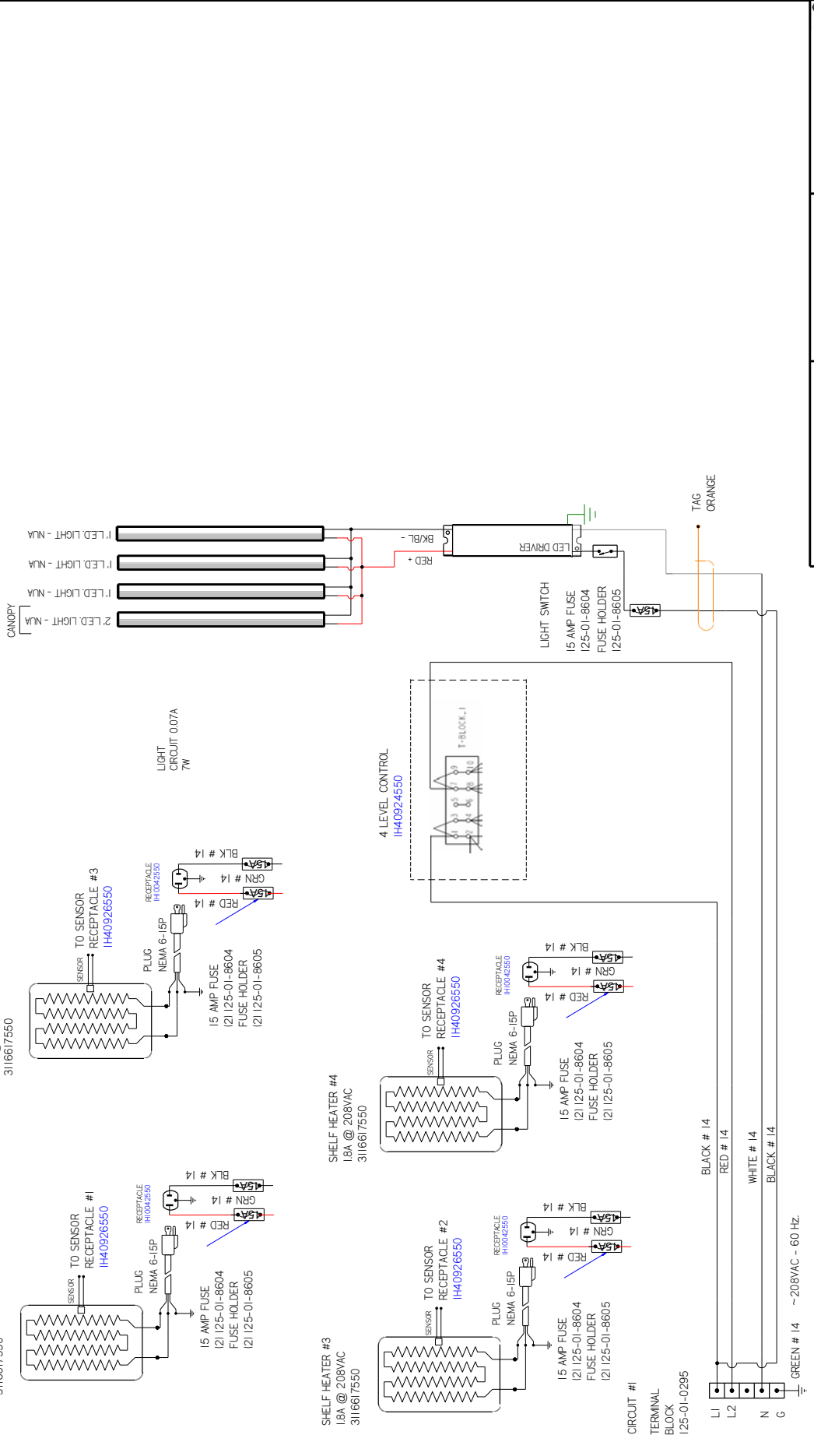
UL COLOR CODES / ABBREVIATIONS:

RED = RD	WHITE = WT
BLACK = BK	GREEN = GN
BLUE = BL	BROWN = BN
YELLOW = YL	ORANGE =
GRAY = GY	OR VIOLET =
	VT

FACTORY 14GA WIRE

FACTORY 14GA WIRE
FIELD WIRE
DO NOT SCALE DRAWING
SHEET 2 OF 2

REVISION HISTORY			
REV	ECN	DATE	REVISION DESCRIPTION
A	ECN-COD-0021385	5-21-25	RELEASED TO PRODUCTION
			REV BY CHKD BY APPR BY
			CB CB CB



UL COLOR CODES / ABBREVIATIONS	
RED = RD	WHITE = WT
BLACK = BK	GREEN = GN
BLUE = BL	BROWN = BN
YELLOW = YL	ORANGE = OR
GRAY = GR	OR VIOLET = VT

WIRE MARKER COLORS/ABBREVIATIONS	
BLACK = MBK	MAROON = MR
BLUE = MBL	MMR ORANGE = MO
BROWN = MBR	MO PINK = MPI
DARK BLUE = MDB	PURPLE = MP
GREEN = MG	RED = MR
LIGHT BLUE = MLB	YELLOW = MYL

FACTORY 14GA WIRE	
FACTORY 14GA WIRE	---
FIELD WIRE	---

DO NOT SCALE DRAWING	
SHEET 1 OF 2	

NOTES:
 1. PRINTED DOCUMENT REQUIRED SETTING: ALL COLORS BLACK & WHITE
 2. CASE & ANY REMOVABLE PANEL WITH ELECTRICAL PARTS MUST BE GROUNDED.
 3. WHEN PASSING WIRES THROUGH METAL HOLES A GROMMET MUST BE USED

CIRCUIT

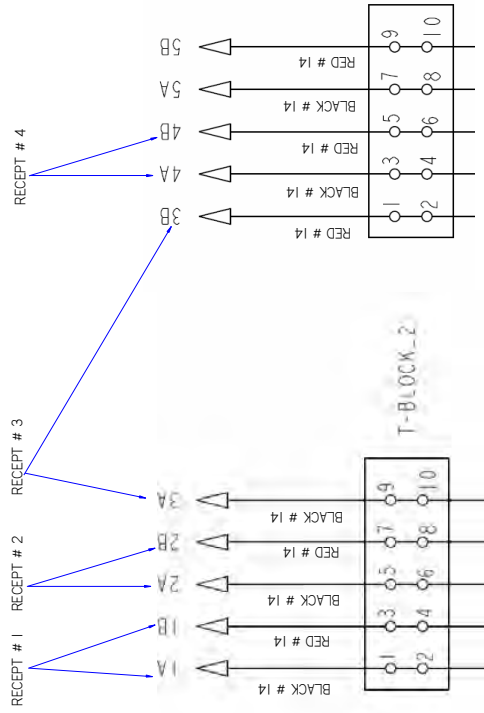
1	LOADING
208	
L1	7.3
L	V7.2

NOTE: CASE MUST BE GROUNDED

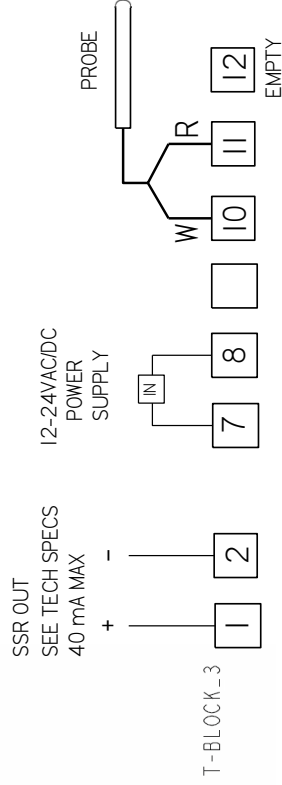
CIRCUIT #1 CONTINUED

1519W @ 208VAC

HEATER RECEPTACLE WIRING CONTROL PANEL



SENSOR RECEPTACLE WIRING CONTROL PANEL



- NOTES:
1. PRINTED DOCUMENT REQUIRED SETTING: ALL COLORS BLACK & WHITE
 2. CASE & ANY REMOVABLE PANEL WITH ELECTRICAL PARTS MUST BE GROUNDED.
 3. WHEN PASSING WIRES THROUGH METAL HOLES A GROMMET MUST BE USED

WIRE MARKER COLORS/ABBREVIATIONS:

BLACK = MBK	MAROON =
BLUE = MBL	MNR ORANGE =
BROWN = MBR	MO PINK = MPI
DARK BLUE = MDB	PURPLE = MP
GREEN = MG	RED = MR
LIGHT BLUE = MLB	YELLOW = MYL

UL COLOR CODES / ABBREVIATIONS:

RED = RD	WHITE = WT
BLACK = BK	GREEN = GN
BLUE = BL	BROWN = BN
YELLOW = YL	ORANGE =
YL GRAY =	OR VIOLET =
GY	VT

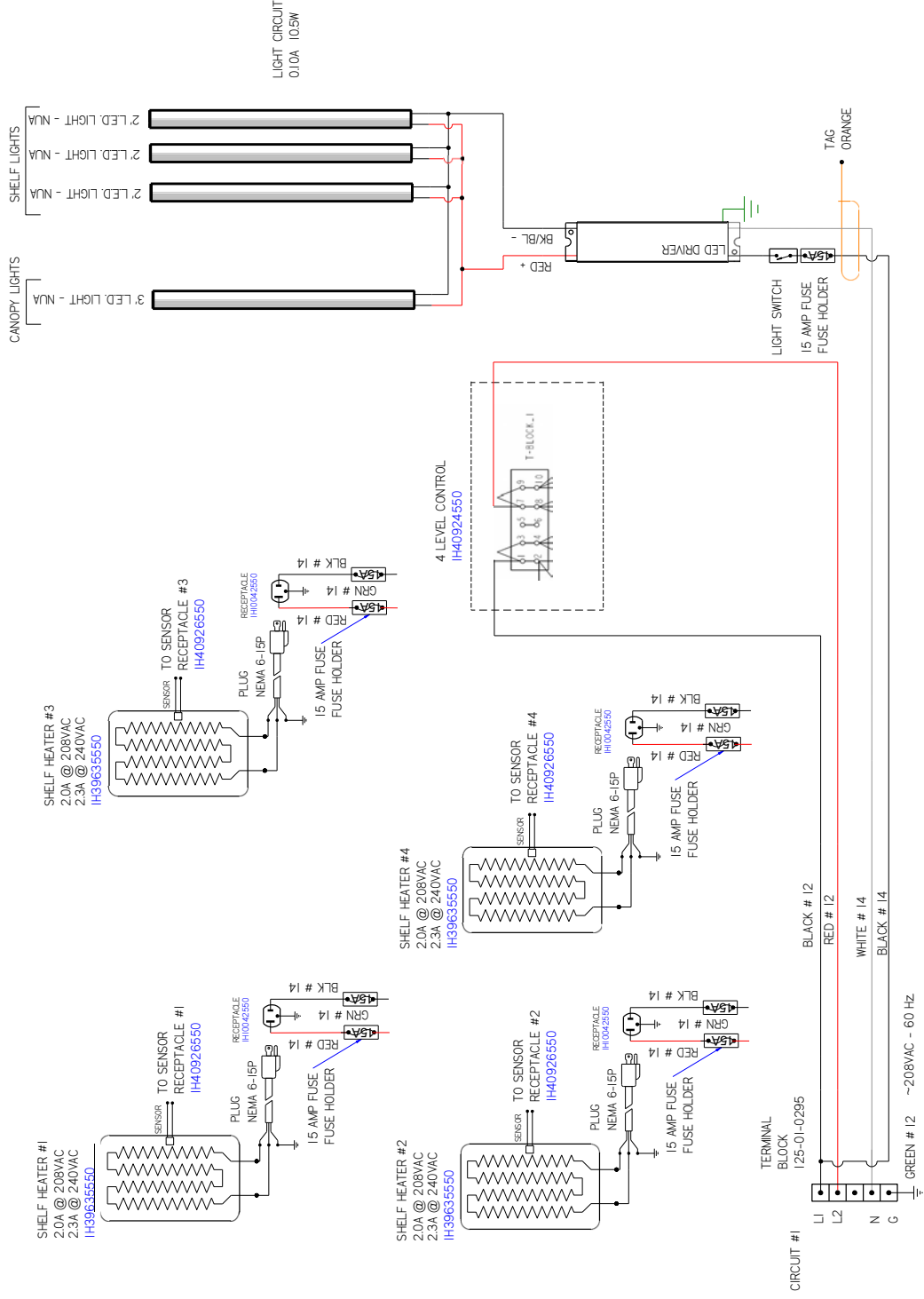
HUSSMANN
 DIAGRAM-IM-04-12-H
 208 WIRED LIGHTS

DO NOT SCALE DRAWING
 SHEET 2 OF 2

W6601063 | A

FACTORY 14GA WIRE
 _FACTORY 10GA WIRE
 _ _ _ _ _ FIELD WIRE - - - - -

REVISION HISTORY			
REV	ECN	DATE	REVISION DESCRIPTION
A	ECN-C00-0021380	4-24-25	RELEASED TO PRODUCTION
			REV BY CHKD BY APPR BY
			CB CB CB



HUSSMANN	
DIAGRAM-IM-04-13-H	
208 WIRED LIGHTS	
FACTORY 14GA WIRE	FACTORY 10GA WIRE
FIELD WIRE	---
DO NOT SCALE DRAWING	
SHEET 1 OF 2	

UL COLOR CODES / ABBREVIATIONS	
RED = RD	WHITE = WT
BLACK = BK	GREEN = GN
BLUE = BL	BROWN = BN
YELLOW = YL	ORANGE = OR
GRAY = GR	PURPLE = PL
	OR VIOLET = V

WIRE MARKER COLORS/ABBREVIATIONS	
BLACK = MBK	MAROON = M
BLUE = MBL	MMR ORANGE = MO
BROWN = MBR	M/PINK = MPI
DARK BLUE = MDB	PURPLE = MP
GREEN = MG	RED = MR
LIGHT BLUE = MLB	YELLOW = MYL

NOTES:
 1. PRINTED DOCUMENT REQUIRED SETTING: ALL COLORS BLACK & WHITE
 2. CASE & ANY REMOVABLE PANEL WITH ELECTRICAL PARTS MUST BE GROUNDED.
 3. WHEN PASSING WIRES THROUGH METAL HOLES A GROMMET MUST BE USED

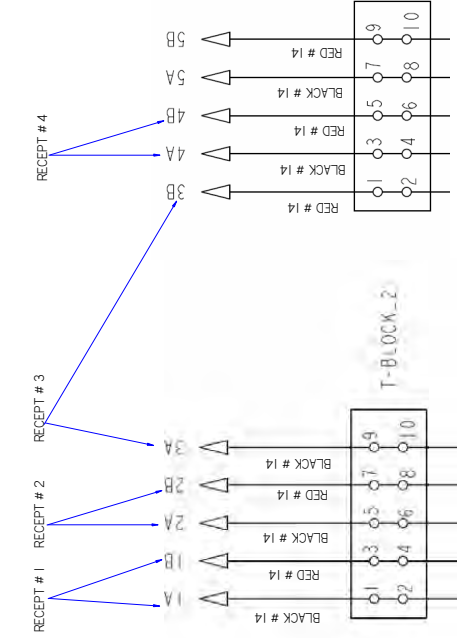
CIRCUIT #1	LOADING
	208 240V
L1	8.1 9.3
L2	6.0 9.2

NOTE: CASE MUST BE GROUNDED

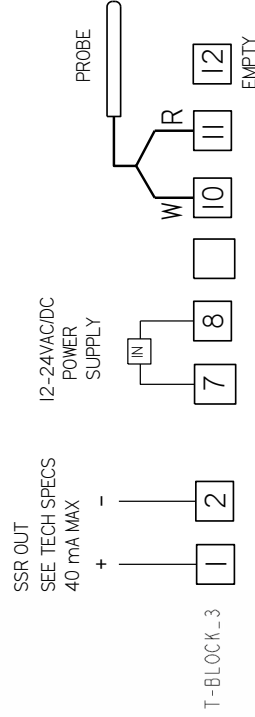
CIRCUIT #1 CONTINUED

1685W @ 208VAC
2232W@240VAC

HEATER RECEPTACLE WIRING CONTROL PANEL



SENSOR RECEPTACLE WIRING CONTROL PANEL



- NOTES:
1. PRINTED DOCUMENT REQUIRED SETTING: ALL COLORS BLACK & WHITE
 2. CASE & ANY REMOVABLE PANEL WITH ELECTRICAL PARTS MUST BE GROUNDED.
 3. WHEN PASSING WIRES THROUGH METAL HOLES A GROMMET MUST BE USED

WIRE MARKER COLORS/ABBREVIATIONS:

BLACK = MBK	MAROON =
BLUE = MBL	MMR ORANGE =
BROWN = MBR	MO PINK = MFI
DARK BLUE = MDB	PURPLE = MP
GREEN = MG	RED = MR
LIGHT BLUE = MLB	YELLOW = MYL

UL COLOR CODES / ABBREVIATIONS:

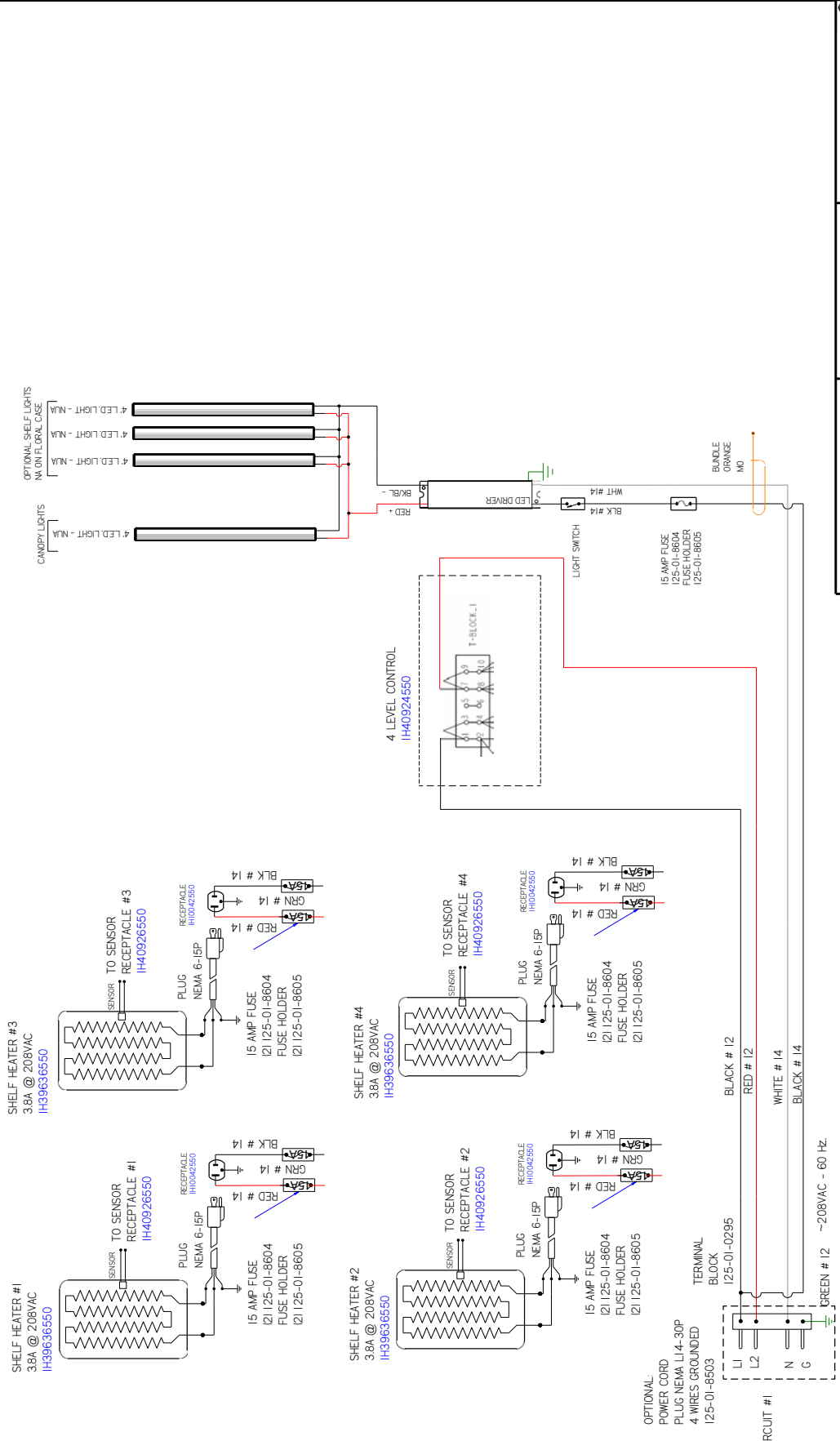
RED = RD	WHITE = WT
BLACK = BK	GREEN = GN
BLUE = BL	BROWN = BN
YELLOW = YL	ORANGE =
YL GRAY =	OR VIOLET =
GY	VT

HUSSMANN
DIAGRAM-IM-04-13-H
208 WILED LIGHTS

FACTORY 14GA WIRE
 _FACTORY 10GA WIRE
 _ _ _ _ _ FIELD WIRE
 - - - - - DO NOT SCALE DRAWING

W6601041 | A
 SHEET 2 OF 2

REVISION HISTORY			
REV	ECN	DATE	REVISION DESCRIPTION
A	ECN-000-0021381	5-5-25	RELEASED TO PRODUCTION
B	FCN-000-0021382	5-15-25	ADDED OPTIONAL POWER CORD



HUSSMANN	FACTORY 14GA WIRE
DIAGRAM-IM-04-14-H	FACTORY 10GA WIRE
208 WILED LIGHTS	FIELD WIRE - - -
DO NOT SCALE DRAWING	DO NOT SCALE DRAWING
SHEET 1 OF 2	SHEET 1 OF 2

UL COLOR CODES / ABBREVIATIONS	
RED = RD	WHITE = WT
BLACK = BK	GREEN = GN
BLUE = BL	BROWN = BN
YELLOW = YL	ORANGE = OR
GRAY = GR	OR VIOLET = VT

WIRE MARKER COLORS/ABBREVIATIONS	
BLACK = MBK	MAROON =
BLUE = MBL	MMR ORANGE =
BROWN = MBR	MO PINK = MPI
DARK BLUE = MDB	PURPLE = MP
GREEN = MG	RED = MR
LIGHT BLUE = MLB	YELLOW = MYL

NOTES:
 1. PRINTED DOCUMENT REQUIRED SETTING: ALL COLORS BLACK & WHITE
 2. CASE & ANY REMOVABLE PANEL WITH ELECTRICAL PARTS MUST BE GROUNDED.
 3. WHEN PASSING WIRES THROUGH METAL HOLES A GROMMET MUST BE USED

CIRCUIT

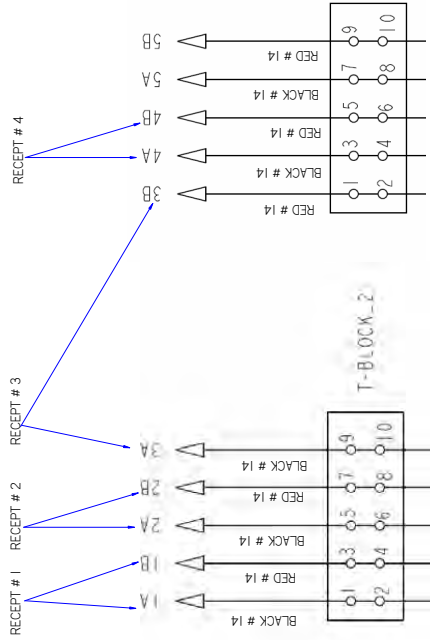
LOADING	
208	240V
L1	16.0
L	15.2
	17.5

CIRCUIT # 1
CONTINUED

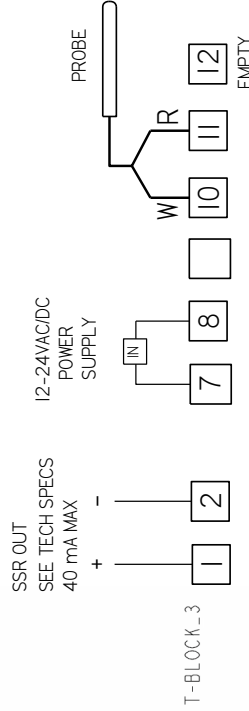
3328W @ 208VAC
4440W @ 240VAC

NOTE: CASE MUST BE
GROUNDED

HEATER RECEPTACLE WIRING
CONTROL PANEL



SENSOR RECEPTACLE WIRING
CONTROL PANEL



- NOTES:
1. PRINTED DOCUMENT REQUIRED SETTING: ALL COLORS BLACK & WHITE
 2. CASE & ANY REMOVABLE PANEL WITH ELECTRICAL PARTS MUST BE GROUNDED.
 3. WHEN PASSING WIRES THROUGH METAL HOLES A GROMMET MUST BE USED

WIRE MARKER COLORS/ABBREVIATIONS:

BLACK = MBK	MAROON =
BLUE = MBL	MMR ORANGE =
BROWN = MBR	MO PINK = MPI
DARK BLUE = MDB	PURPLE = MP
GREEN = MG	RED = MR
LIGHT BLUE = MLB	YELLOW = MYL

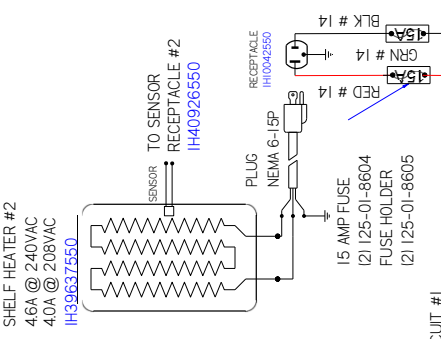
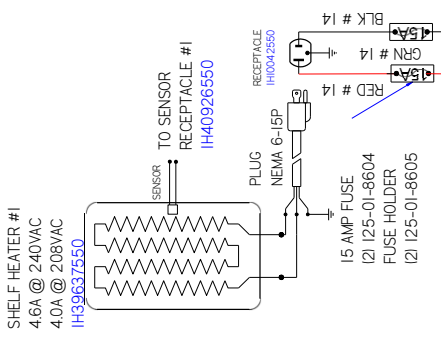
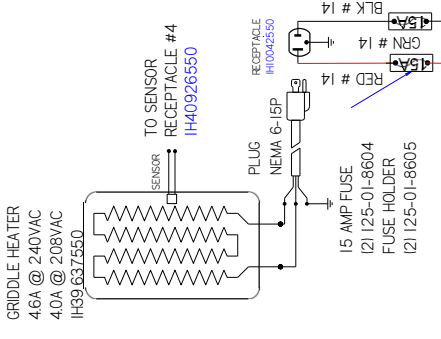
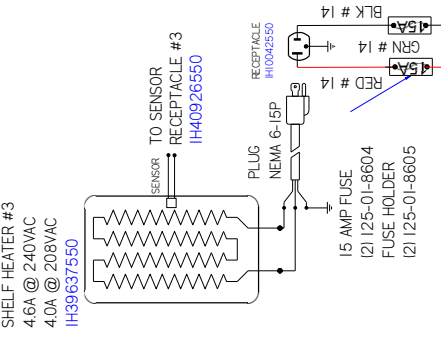
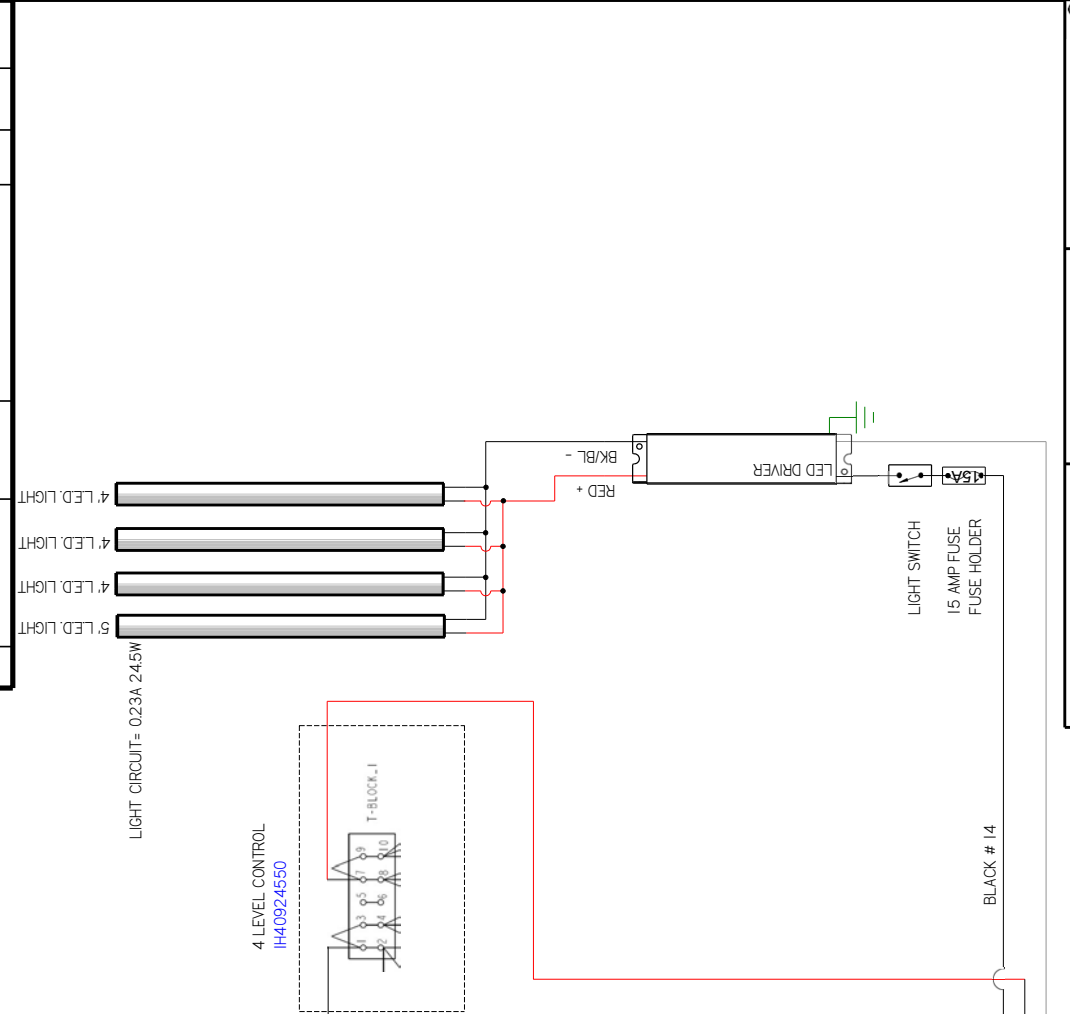
UL COLOR CODES / ABBREVIATIONS:

RED = RD	WHITE = WT
BLACK = BK	GREEN = GN
BLUE = BL	BROWN = BN
YELLOW =	ORANGE =
YL GRAY =	OR VIOLET =
GY	VT

HUSSMANN
DIAGRAM-IM-04-14-H
208 WIRED LIGHTS
W6601044 | B

FACTORY 14GA WIRE
_FACTORY 10GA WIRE
_ _FIELD WIRE - - -
DO NOT SCALE DRAWING
SHEET 2 OF 2

REVISION HISTORY			
REV	ECN	DATE	REVISION DESCRIPTION
A	ECN-C00-0021380	4-23-25	RELEASED TO PRODUCTION
		CB	CB
		CB	CB



UL COLOR CODES / ABBREVIATIONS	
RED = RD	WHITE = WT
BLACK = BK	GREEN = GN
BLUE = BL	BROWN = BN
YELLOW = YL	ORANGE = OR
GRAY = GR	OR VIOLET = VT

WIRE MARKER COLORS/ABBREVIATIONS	
BLACK = MBK	MAROON =
BLUE = MBL	MNR ORANGE =
BROWN = MBR	MOPINK = MPI
DARK BLUE = MDB	PURPLE = MP
GREEN = MG	RED = MR
LIGHT BLUE = MLB	YELLOW = MYL

FACTORY 14GA WIRE	
FACTORY 14GA WIRE	
FIELD WIRE	
DO NOT SCALE DRAWING	

SHEET 1 OF 2

HUSSMANN
DIAGRAM-IM-04-15-H
WIRED LIGHTS

W6601039

NOTES:
1. PRINTED DOCUMENT REQUIRED SETTING: ALL COLORS BLACK & WHITE
2. CASE & ANY REMOVABLE PANEL WITH ELECTRICAL PARTS MUST BE GROUNDED.
3. WHEN PASSING WIRES THROUGH METAL HOLES A GROMMET MUST BE USED

CIRCUIT #1

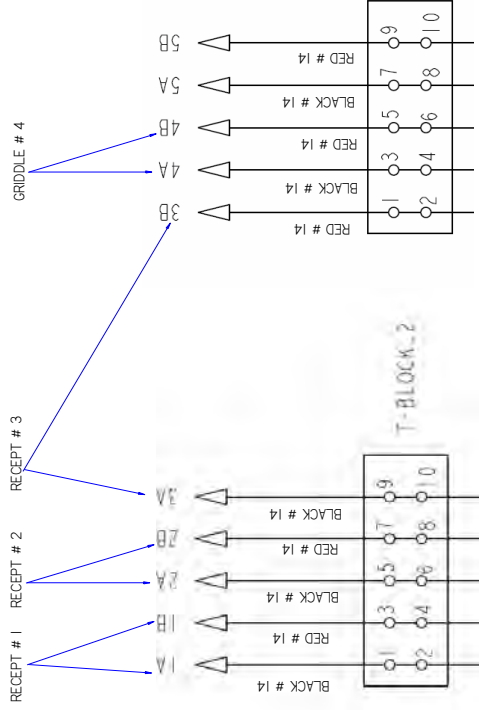
LOADING
208 240V
L1 16.1 18.2
L 15.9 18.4

CIRCUIT # 1
CONTINUED

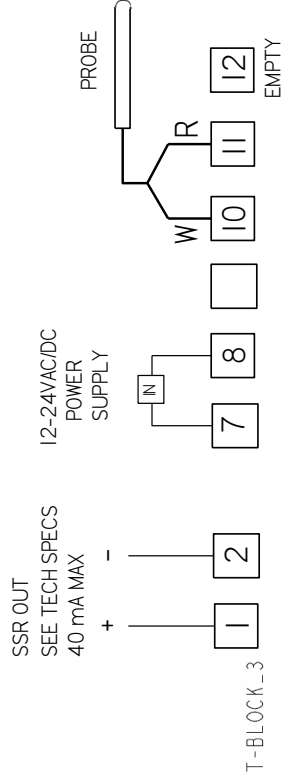
3349W @ 208VAC
4368W @ 240VAC

NOTE: CASE MUST BE
GROUNDED

HEATER RECEPTACLE WIRING
CONTROL PANEL



SENSOR RECEPTACLE WIRING
CONTROL PANEL



- NOTES:
1. PRINTED DOCUMENT REQUIRED SETTING: ALL COLORS BLACK & WHITE
 2. CASE & ANY REMOVABLE PANEL WITH ELECTRICAL PARTS MUST BE GROUNDED.
 3. WHEN PASSING WIRES THROUGH METAL HOLES A GROMMET MUST BE USED

WIRE MARKER COLORS/ABBREVIATIONS:

BLACK = MBK	MAROON =
BLUE = MBL	MNR ORANGE =
BROWN = MBR	MO PINK = MPI
DARK BLUE = MDB	PURPLE = MP
GREEN = MG	RED = MR
LIGHT BLUE = MLB	YELLOW = MYL

UL COLOR CODES / ABBREVIATIONS:

RED = RD	WHITE = WT
BLACK = BK	GREEN = GN
BLUE = BL	BROWN = BN
YELLOW =	ORANGE =
YL GRAY =	OR VIOLET =
GY	VT

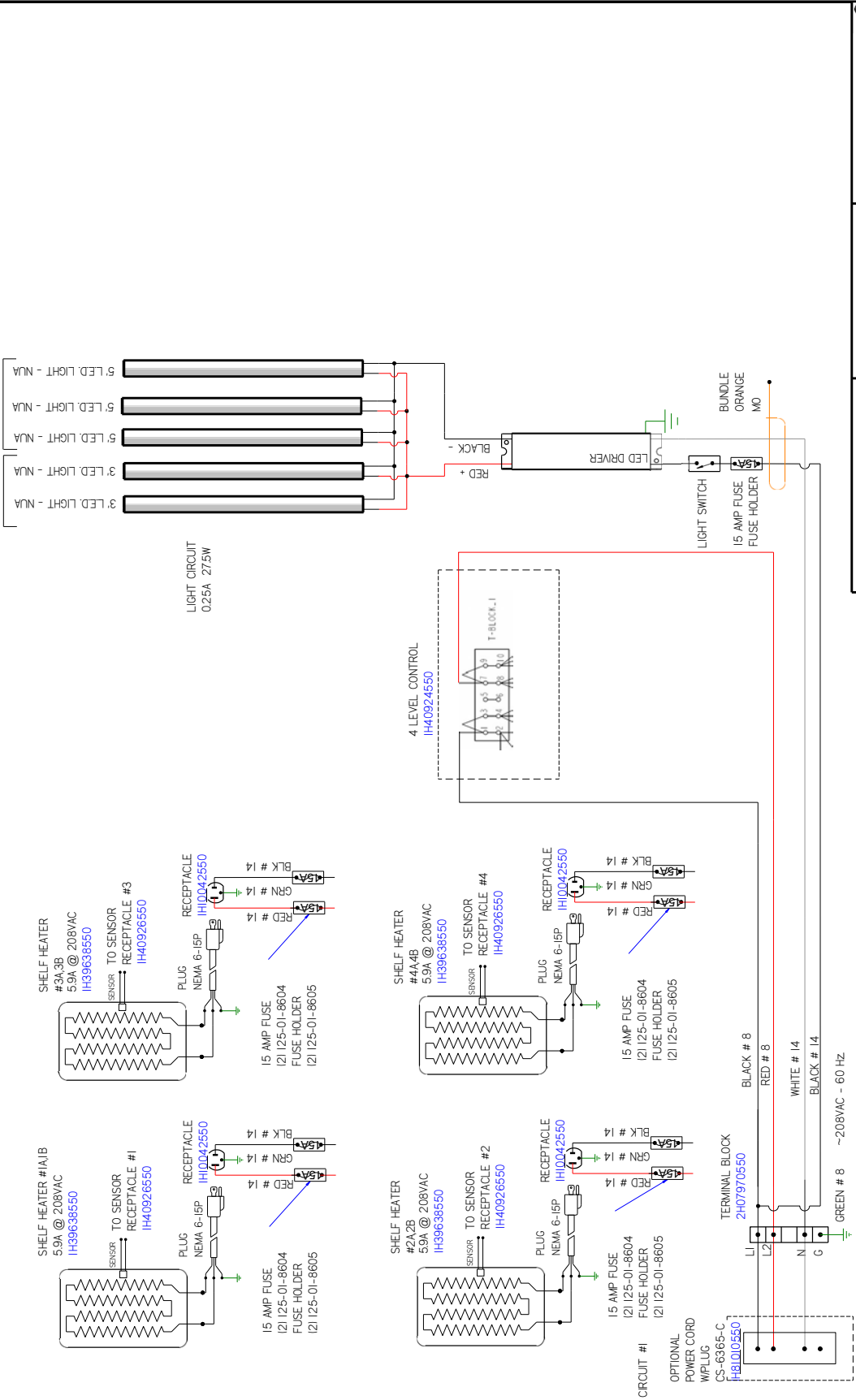
HUSSMANN
DIAGRAM-IM-04-15-H
WILED LIGHTS

FACTORY 14GA WIRE
_FACTORY 10GA WIRE
--- FIELD WIRE ---

DO NOT SCALE DRAWING
SHEET 2 OF 2

W6601039
A

REVISION HISTORY						
REV	ECN	DATE	REVISION DESCRIPTION	REV BY	CHKD BY	APPR BY
A	ECN-C00-0021380	4-24-25	RELEASED TO PRODUCTION	CB	CB	CB



UL COLOR CODES / ABBREVIATIONS	
RED = RD	WHITE = WT
BLACK = BK	GREEN = GN
BLUE = BL	BROWN = BN
YELLOW = YL	ORANGE = OR
GRAY = GR	OR VIOLET = VT

WIRE MARKER COLORS/ABBREVIATIONS	
BLACK = MBK	MAROON = MR
BLUE = MBL	MNR ORANGE = MO
BROWN = MBR	MO PINK = MPI
DARK BLUE = MDB	PURPLE = MP
GREEN = MG	RED = MR
LIGHT BLUE = MLB	YELLOW = MYL

FACTORY 14GA WIRE	
FACTORY 14GA WIRE	---
FIELD WIRE	---

DO NOT SCALE DRAWING
SHEET 1 OF 2

HUSSMANN
DIAGRAM-IM-04-16-H
208 WIRED LIGHTS

NOTES:
1. PRINTED DOCUMENT REQUIRED SETTING: ALL COLORS BLACK & WHITE
2. CASE & ANY REMOVABLE PANEL WITH ELECTRICAL PARTS MUST BE GROUNDED.
3. WHEN PASSING WIRES THROUGH METAL HOLES A GROMMET MUST BE USED

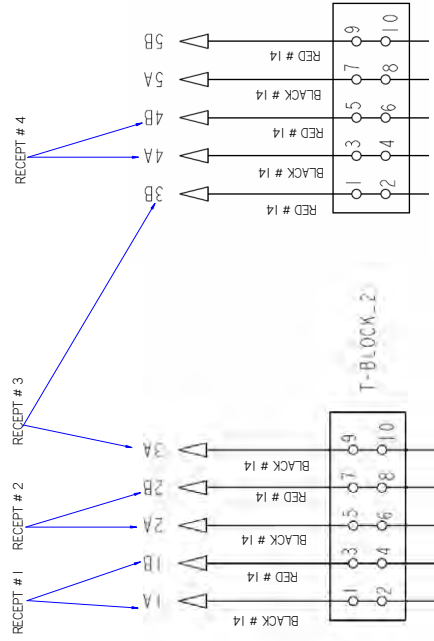
CIRCUIT #1	LOADING
	208
	L1
	V239
	V236

CIRCUIT #1
CONTINUED

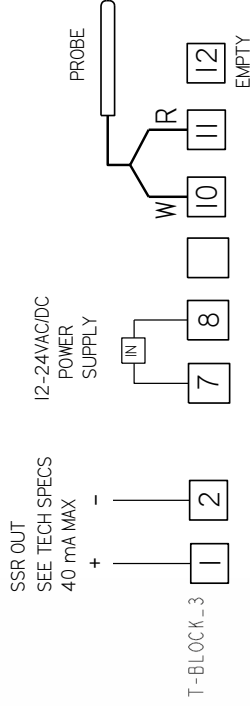
4Ø71W @ 208VAC

NOTE: CASE MUST BE
GROUNDED

HEATER RECEPTACLE WIRING
CONTROL PANEL



SENSOR RECEPTACLE WIRING
CONTROL PANEL



- NOTES:
1. PRINTED DOCUMENT REQUIRED SETTING: ALL COLORS BLACK & WHITE
 2. CASE & ANY REMOVABLE PANEL WITH ELECTRICAL PARTS MUST BE GROUNDED.
 3. WHEN PASSING WIRES THROUGH METAL HOLES A GROMMET MUST BE USED

WIRE MARKER COLORS/ABBREVIATIONS:

BLACK = MBK	MAROON =
BLUE = MBL	MMR ORANGE =
BROWN = MBR	MO PINK = MPI
DARK BLUE = MDB	PURPLE = MP
GREEN = MG	RED = MR
LIGHT BLUE = MLB	YELLOW = MYL

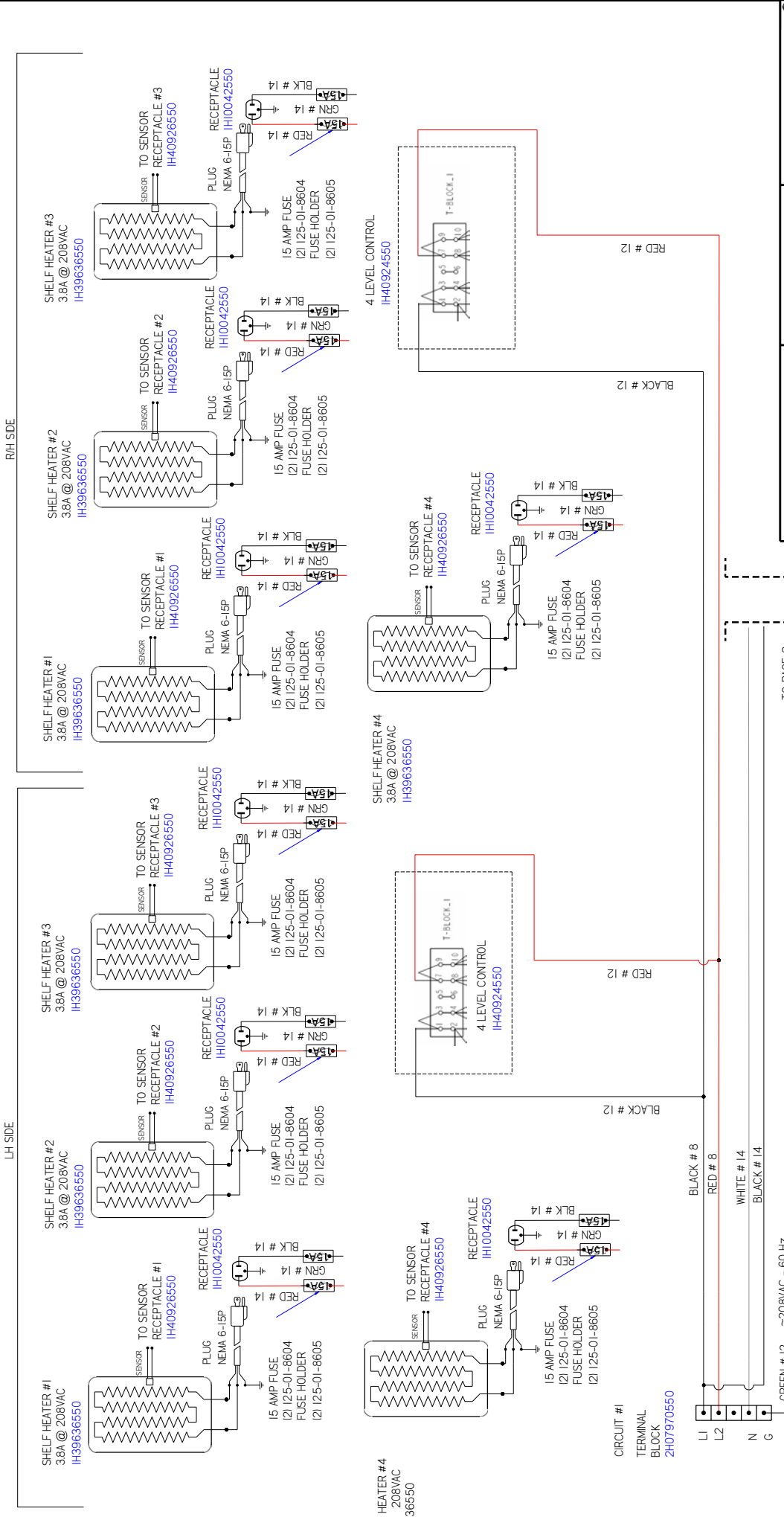
UL COLOR CODES / ABBREVIATIONS:

RED = RD	WHITE = WT
BLACK = BK	GREEN = GN
BLUE = BL	BROWN = BN
YELLOW =	ORANGE =
YL GRAY =	OR VIOLET =
GY	VT

FACTORY 14GA WIRE
 _FACTORY 10GA WIRE
 _ _ _ _ _ FIELD WIRE
 _ _ _ _ _ DO NOT SCALE DRAWING
 SHEET 2 OF 2

HUSSMANN
 DIAGRAM-IM-04-16-H
 208 WIRED LIGHTS
 W6601042 | A

REVISION HISTORY		REV BY	CHKD BY	APPR BY
REV	ECN	DATE	REVISION DESCRIPTION	REV BY
A	ECN-C00-0021380	4-24-25	RELEASED TO PRODUCTION	CB
				CB
				CB



HUSSMANN
DIAGRAM-IM-04-18-H
208 WIRED LIGHTS

FACTORY 14GA WIRE
 _FACTORY LOGGA WIRE
 _ _ _ FIELD WIRE _ _ _
 _ _ _ _ _ DO NOT SCALE DRAWING _ _ _
 SHEET 1 OF 2

UL COLOR CODES / ABBREVIATIONS	
RED = RD	WHITE = WT
BLACK = BK	GREEN = GN
BLUE = BL	BROWN = BN
YELLOW = YL	ORANGE = OR
GRAY = GR	VIOLET = VT

WIRE MARKER COLORS/ABBREVIATIONS	
BLACK = MBK	MAROON =
BLUE = MBL	MMR ORANGE =
BROWN = MBR	MO PINK = MPI
DARK BLUE = MDB	PURPLE = MP
GREEN = MG	RED = MR
LIGHT BLUE = MLB	YELLOW = MYL

TO PAGE-2

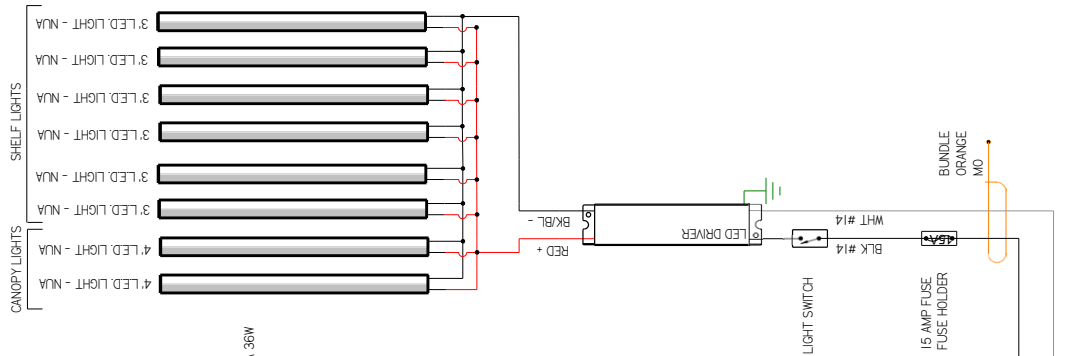
NOTES:
 1. PRINTED DOCUMENT REQUIRED SETTING: ALL COLORS BLACK & WHITE
 2. CASE & ANY REMOVABLE PANEL WITH ELECTRICAL PARTS MUST BE GROUNDED.
 3. WHEN PASSING WIRES THROUGH METAL HOLES A GROMMET MUST BE USED

CIRCUIT #1

LOADING
208
L1 30.7
L 1 V30.

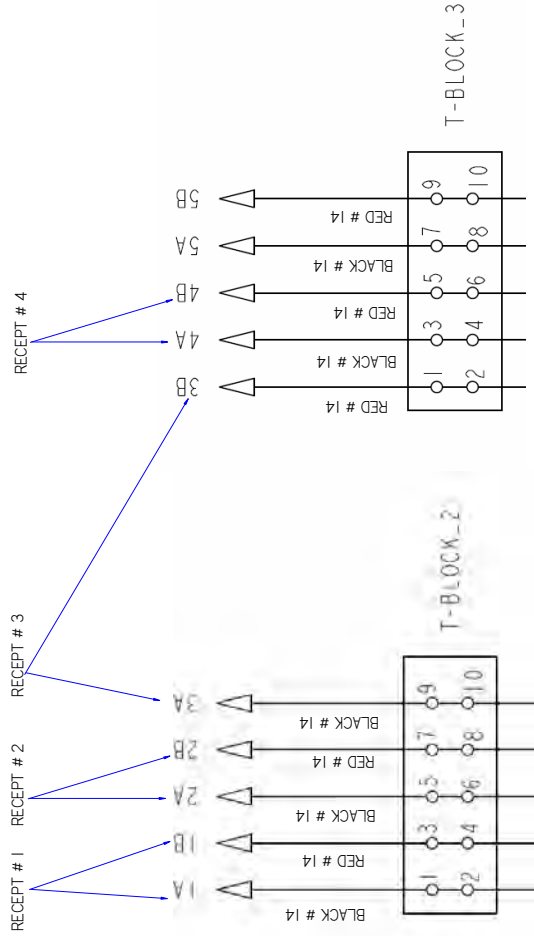
6392W @ 208VAC

LIGHT CIRCUIT 0.33A 36W



FROM PAGE-2

HEATER RECEPTACLE WIRING
CONTROL PANEL FOR BOTH

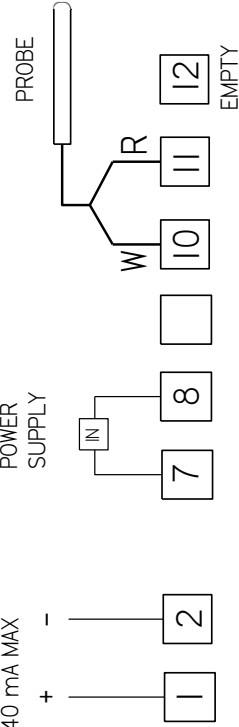


SENSOR RECEPTACLE WIRING
CONTROL PANEL

SENSOR RECEPTACLE WIRING
CONTROL PANEL

SSR OUT
SEE TECH SPECS
40 mA MAX

12-24VAC/DC
POWER
SUPPLY

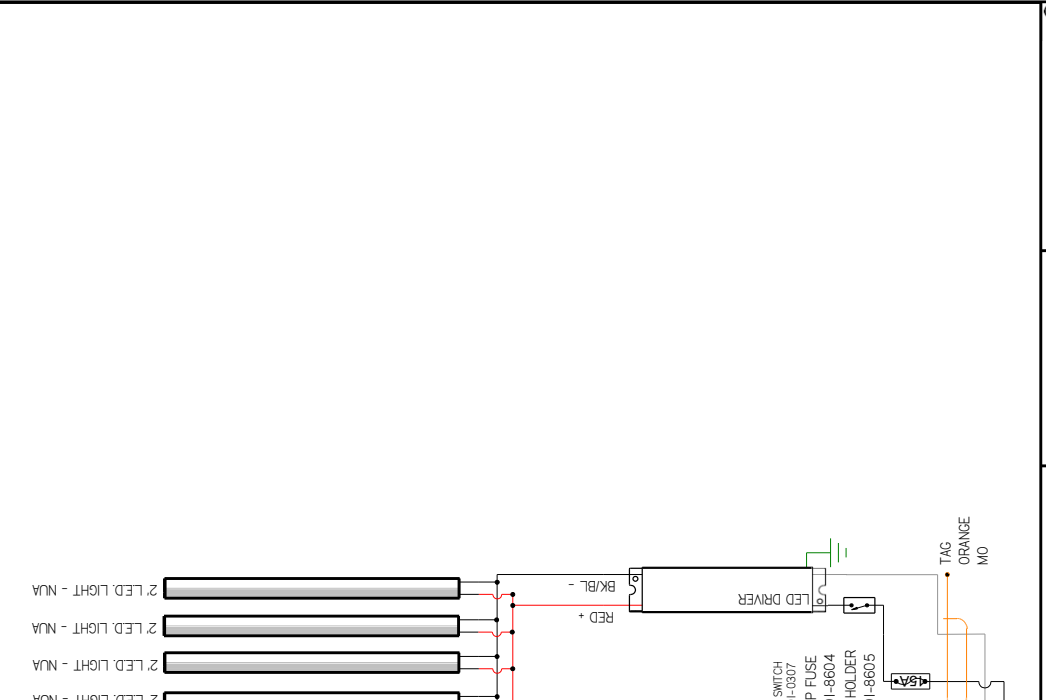


- NOTES:
1. PRINTED DOCUMENT REQUIRED SETTING: ALL COLORS BLACK & WHITE
 2. CASE & ANY REMOVABLE PANEL WITH ELECTRICAL PARTS MUST BE GROUNDED.
 3. WHEN PASSING WIRES THROUGH METAL HOLES A GROMMET MUST BE USED

HUSSMANN DIAGRAM-IM-04-18-H 208 WILED LIGHTS	
UL COLOR CODES / ABBREVIATIONS RED = RD BLACK = BK BLUE = BL BROWN = BR DARK BLUE = MDB GREEN = MG LIGHT BLUE = MLB MAROON = MMR ORANGE = MO PINK = MPI PURPLE = MP RED = MR YELLOW = MYL	UL COLOR CODES / ABBREVIATIONS WHITE = WT GREEN = GN BROWN = BN ORANGE = OR VIOLET = VT CY
WIRE MARKER COLORS/ABBREVIATIONS MAROON = MMR ORANGE = MO PINK = MPI PURPLE = MP RED = MR YELLOW = MYL	WIRE MARKER COLORS/ABBREVIATIONS WHITE = WT GREEN = GN BROWN = BN ORANGE = OR VIOLET = VT CY
FACTORY 14GA WIRE _FACTORY 10GA WIRE _ _FIELD WIRE - - -	DO NOT SCALE DRAWING SHEET 2 OF 2

W6601040 | A

REVISION HISTORY		
REV	ECN	DATE
A	ECN-COD-0021382	5-15-25
REVISION DESCRIPTION		REV BY (CHKD BY) APPR BY
RELEASED TO PRODUCTION		CB CB CB



UL COLOR CODES / ABBREVIATIONS	
RED = RD	WHITE = WT
BLACK = BK	GREEN = GN
BLUE = BL	BROWN = BN
YELLOW = YL	ORANGE = OR
GRAY = GR	OR VIOLET = OV

WIRE MARKER COLORS / ABBREVIATIONS	
BLACK = MBK	MAROON = MR
BLUE = MBL	MMR ORANGE = MO
BROWN = MBR	MO PINK = MPI
DARK BLUE = MDB	PURPLE = MP
GREEN = MG	RED = MR
LIGHT BLUE = MLB	YELLOW = MYL

FACTORY 14GA WIRE	
FACTORY LOGA WIRE	---
FIELD WIRE	---

DO NOT SCALE DRAWING	
SHEET 1 OF 2	

HUSMANN	
DIAGRAM-IM-05-13-H	
208 WILED LIGHTS	

W6601058	
SHEET 1 OF 2	

NOTES:
 1. PRINTED DOCUMENT REQUIRED SETTING: ALL COLORS BLACK & WHITE
 2. CASE & ANY REMOVABLE PANEL WITH ELECTRICAL PARTS MUST BE GROUNDED.
 3. WHEN PASSING WIRES THROUGH METAL HOLES A GROMMET MUST BE USED

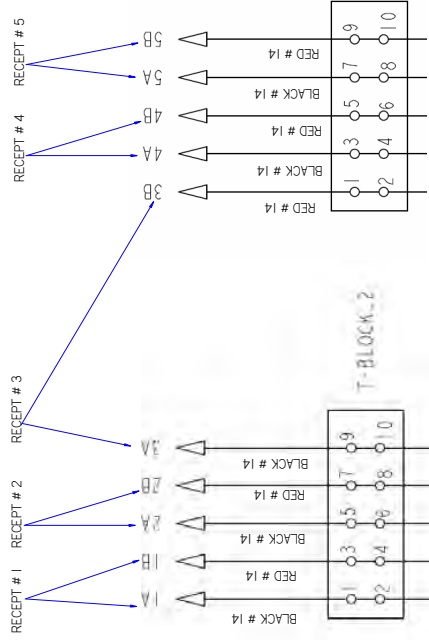
CIRCUIT #1	LOADING
208	240V
11	10.2 11.7
L	V100 11.5

NOTE: CASE MUST BE GROUNDED

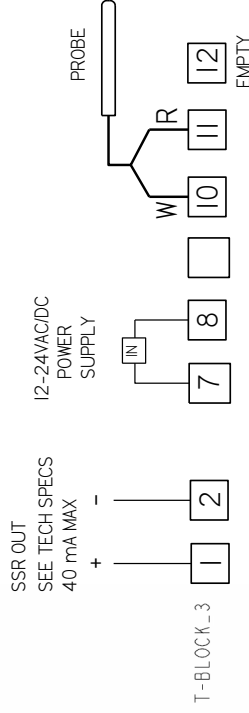
CIRCUIT #1 CONTINUED

2Ø22W @ 208VAC
2808W@240VAC

HEATER RECEPTACLE WIRING CONTROL PANEL



SENSOR RECEPTACLE WIRING CONTROL PANEL



WIRE MARKER COLORS/ABBREVIATIONS:

BLACK = MBK	MAROON =
BLUE = MBL	MNR ORANGE =
BROWN = MBR	MO PINK = MPI
DARK BLUE = MDB	PURPLE = MP
GREEN = MG	RED = MR
LIGHT BLUE = MLB	YELLOW = MYL

UL COLOR CODES / ABBREVIATIONS:

RED = RD	WHITE = WT
BLACK = BK	GREEN = GN
BLUE = BL	BROWN = BN
YELLOW = YL	ORANGE =
YL GRAY =	OR VIOLET =
GY	VT

HUSSMANN
DIAGRAM-IM-05-13-H
208 WIRED LIGHTS
W6601058
SHEET 2 OF 2

- NOTES:
1. PRINTED DOCUMENT REQUIRED SETTING: ALL COLORS BLACK & WHITE
 2. CASE & ANY REMOVABLE PANEL WITH ELECTRICAL PARTS MUST BE GROUNDED.
 3. WHEN PASSING WIRES THROUGH METAL HOLES A GROMMET MUST BE USED

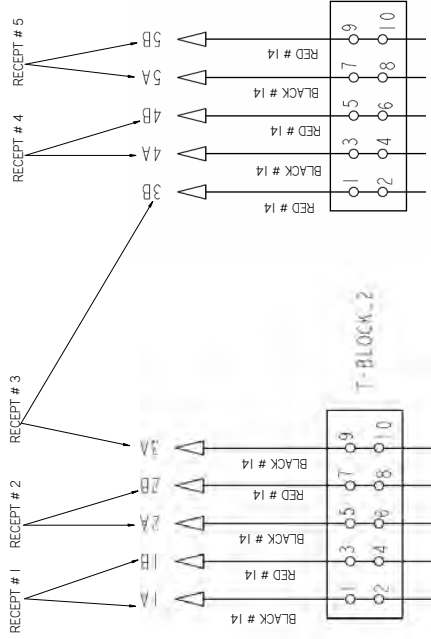
CIRCUIT #1	LOADING
208	240V
192	222
190	220

NOTE: CASE MUST BE GROUNDED

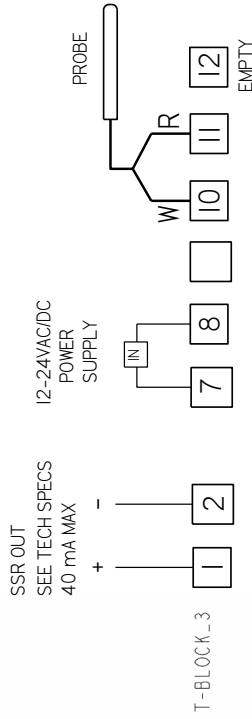
CIRCUIT #1 CONTINUED

3994W @ 208VAC
5328W @ 240VAC

HEATER RECEPTACLE WIRING CONTROL PANEL



SENSOR RECEPTACLE WIRING CONTROL PANEL



WIRE MARKER COLORS/ABBREVIATIONS:

BLACK	=	MBK
BLUE	=	MBL
BROWN	=	MBR
DARK BLUE	=	MDB
GREEN	=	MGB
LIGHT BLUE	=	MLB
MAROON	=	MMR
MAR ORANGE	=	MOR
MO PINK	=	MPI
PURPLE	=	MP
RED	=	MR
YELLOW	=	MYL

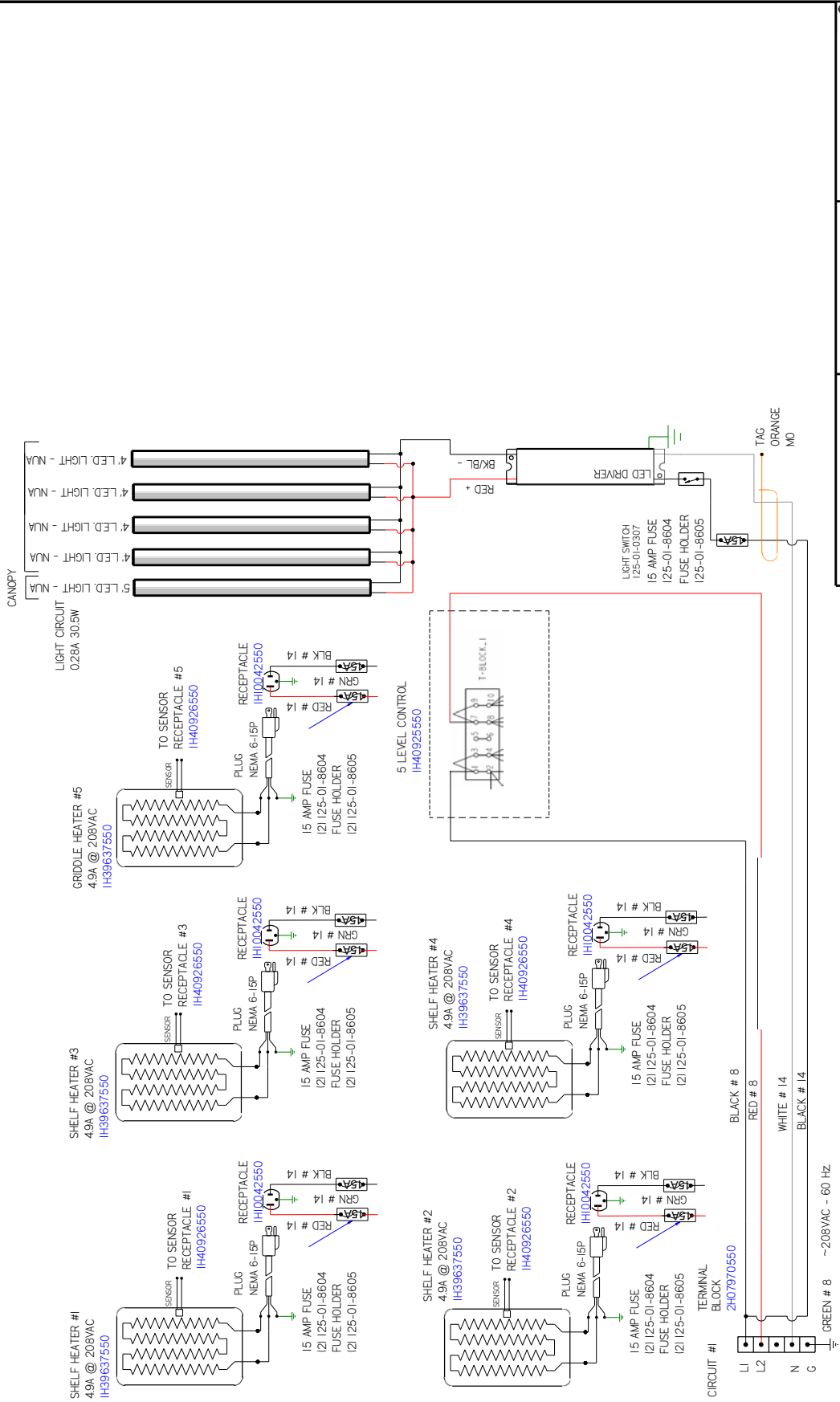
UL COLOR CODES / ABBREVIATIONS:

RED	=	RD
BLACK	=	BK
BLUE	=	BL
YELLOW	=	YL
GRAY	=	GY
WHITE	=	WT
GREEN	=	GN
BROWN	=	BN
ORANGE	=	OR
OR VIOLET	=	VT

HUSSMANN
DIAGRAM-IM-05-C4-
H208 WILED LIGHTS
DO NOT SCALE DRAWING
SHEET 2 OF 2

- NOTES:
1. PRINTED DOCUMENT REQUIRED SETTING: ALL COLORS BLACK & WHITE
 2. CASE & ANY REMOVABLE PANEL WITH ELECTRICAL PARTS MUST BE GROUNDED.
 3. WHEN PASSING WIRES THROUGH METAL HOLES A GROMMET MUST BE USED

REVISION HISTORY			
REV	ECN	DATE	REVISION DESCRIPTION
A	ECN-COD-0021382	5-12-25	RELEASED TO PRODUCTION
			REV BY (CHKD BY) APPR BY
			CB CB CB



UL COLOR CODES / ABBREVIATIONS	
RED = RD	WHITE = WT
BLACK = BK	GREEN = GN
BLUE = BL	BROWN = BN
YELLOW = YL	ORANGE = OR
GRAY = GR	OR VIOLET = VT

WIRE MARKER COLORS/ABBREVIATIONS	
BLACK = MBK	MAROON =
BLUE = MBL	MMR ORANGE =
BROWN = MBR	MO PINK = MPI
DARK BLUE = MDB	PURPLE = MP
GREEN = MG	RED = MR
LIGHT BLUE = MLB	YELLOW = MYL

FACTORY 14GA WIRE	
FACTORY 14GA WIRE	
FIELD WIRE	

DO NOT SCALE DRAWING
SHEET 1 OF 2

HUSSMANN
DIAGRAM-IM-05-C5-
H208 WILED LIGHTS
W6601053 | A

- NOTES:
1. PRINTED DOCUMENT REQUIRED SETTING: ALL COLORS BLACK & WHITE
 2. CASE & ANY REMOVABLE PANEL WITH ELECTRICAL PARTS MUST BE GROUNDED.
 3. WHEN PASSING WIRES THROUGH METAL HOLES A GROMMET MUST BE USED

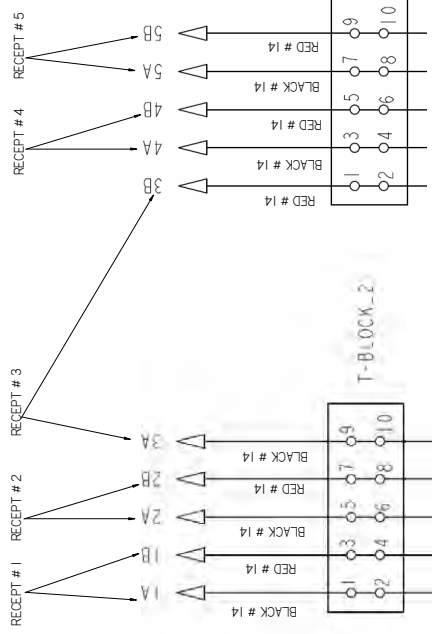
CIRCUIT #1	LOADING
	268 240
L1	24.7 28.5
L	24.5 28.3

CIRCUIT #1
CONTINUED

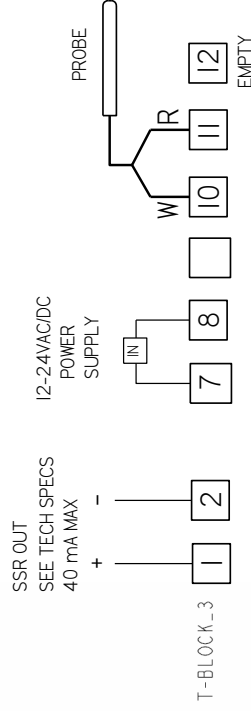
5837W @ 208VAC

NOTE: CASE MUST BE
GROUNDED

HEATER RECEPTACLE WIRING
CONTROL PANEL



SENSOR RECEPTACLE WIRING
CONTROL PANEL



HUSSMANN
DIAGRAM-IM-05-C5-
H208 WILED LIGHTS

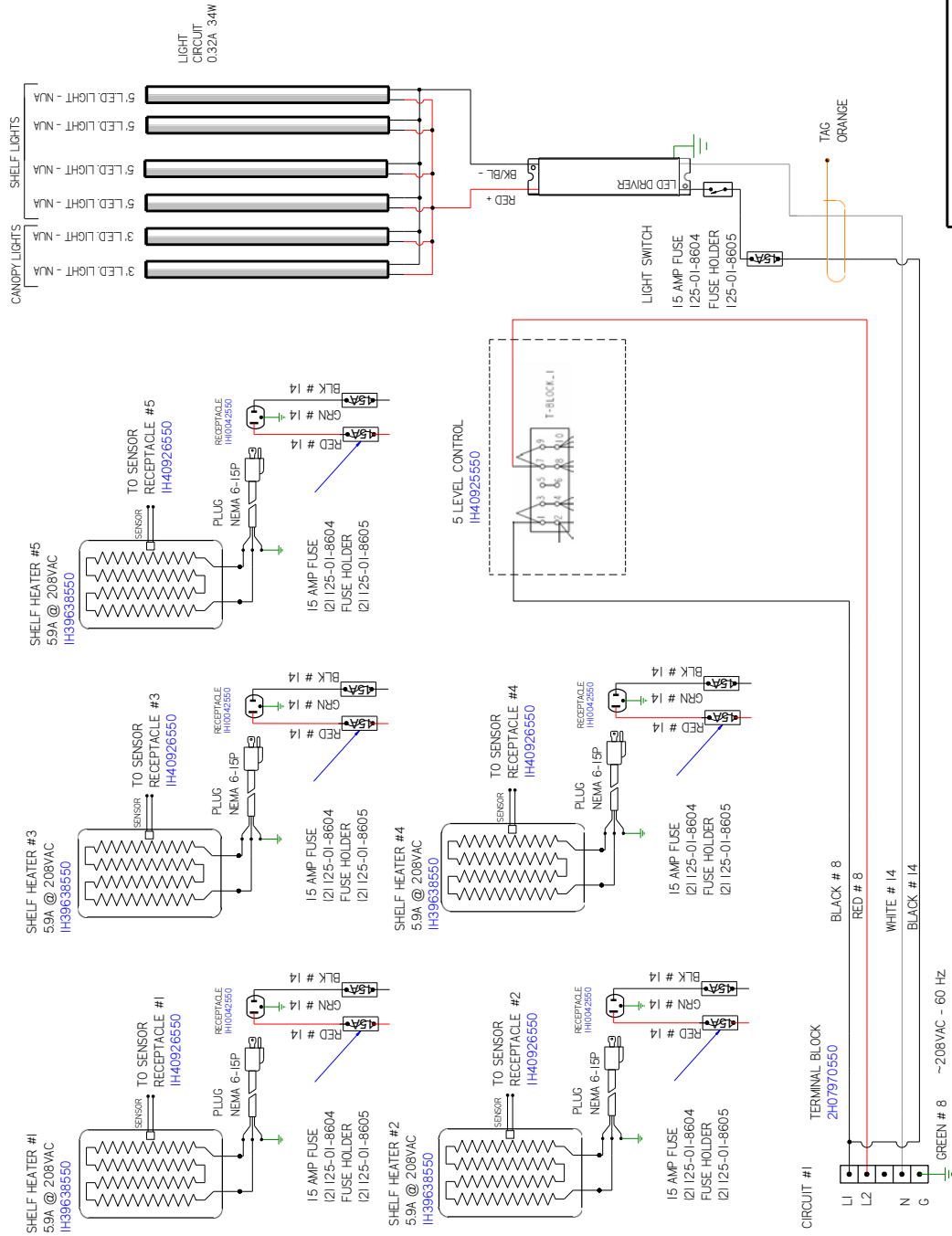
FACTORY 14GA WIRE	FACTORY 10GA WIRE
FIELD WIRE	FIELD WIRE
DO NOT SCALE DRAWING	SHEET 2 OF 2

UL COLOR CODES / ABBREVIATIONS	
RED = RD	WHITE = WT
BLACK = BK	GREEN = GN
BLUE = BL	BROWN = BN
YELLOW = YL	ORANGE = OR
GRAY = GR	OR VIOLET = VT

WIRE MARKER COLORS/ABBREVIATIONS	
BLACK = MBK	MAROON =
BLUE = MBL	MMR ORANGE =
BROWN = MBR	MO PINK = MPI
DARK BLUE = MDB	PURPLE = MP
GREEN = MG	RED = MR
LIGHT BLUE = MLB	YELLOW = MYL

- NOTES:
1. PRINTED DOCUMENT REQUIRED SETTING: ALL COLORS BLACK & WHITE
 2. CASE & ANY REMOVABLE PANEL WITH ELECTRICAL PARTS MUST BE GROUNDED.
 3. WHEN PASSING WIRES THROUGH METAL HOLES A GROMMET MUST BE USED

REVISION HISTORY			
REV	ECN	DATE	REVISION DESCRIPTION
A	ECN-COD-0021381	5-6-25	RELEASED TO PRODUCTION
			REV BY CHKD BY APPR BY
			CB CB CB



UL COLOR CODES / ABBREVIATIONS	
RED = RD	WHITE = WT
BLACK = BK	GREEN = GN
BLUE = BL	BROWN = BN
YELLOW = YL	ORANGE = OR
GRAY = GR	OR VIOLET = OV

WIRE MARKER COLORS/ABBREVIATIONS	
BLACK = MBK	MAROON = MR
BLUE = MBL	MMR ORANGE = MO
BROWN = MBR	MO PINK = MPI
DARK BLUE = MDB	PURPLE = MP
GREEN = MG	RED = MR
LIGHT BLUE = MLB	YELLOW = MYL

FACTORY 14GA WIRE	
FACTORY 14GA WIRE	---
FIELD WIRE	---

DO NOT SCALE DRAWING	
SHEET 1 OF 2	

HUSSMANN	
DIAGRAM-IM-05-16-H	
208 WIRED LIGHTS	

W6601049	

NOTES:
 1. PRINTED DOCUMENT REQUIRED SETTING: ALL COLORS BLACK & WHITE
 2. CASE & ANY REMOVABLE PANEL WITH ELECTRICAL PARTS MUST BE GROUNDED.
 3. WHEN PASSING WIRES THROUGH METAL HOLES A GROMMET MUST BE USED

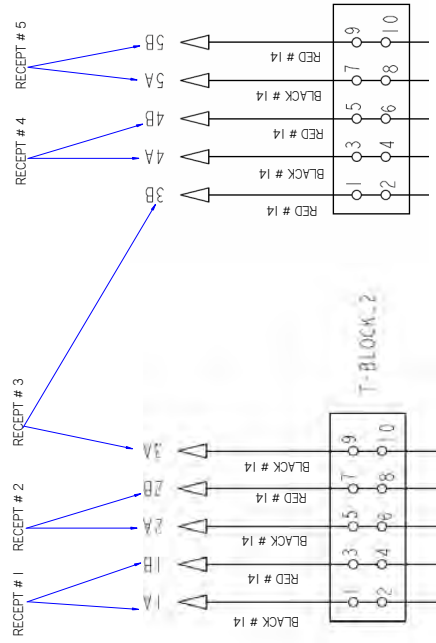
CIRCUIT #	LOADING
1	208
2	30
3	29.5
4	

CIRCUIT # 1
CONTINUED

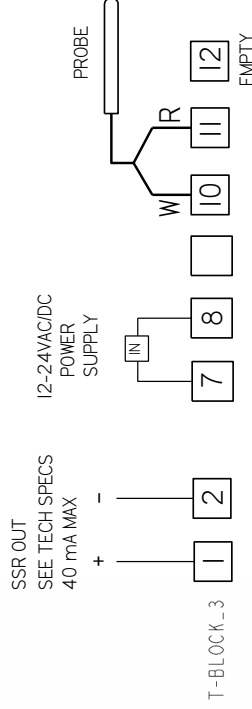
6323W @ 208VAC

NOTE: CASE MUST BE
GROUNDED

HEATER RECEPTACLE WIRING
CONTROL PANEL



SENSOR RECEPTACLE WIRING
CONTROL PANEL



WIRE MARKER COLORS/ABBREVIATIONS

BLACK = MBK	MAROON =
BLUE = MBL	MMR ORANGE =
BROWN = MBR	MO PINK = MPI
DARK BLUE = MDB	PURPLE = MP
GREEN = MG	RED = MR
LIGHT BLUE = MLB	YELLOW = MYL

UL COLOR CODES / ABBREVIATIONS

RED = RD	WHITE = WT
BLACK = BK	GREEN = GN
BLUE = BL	BROWN = BN
YELLOW = YL	ORANGE =
YL GRAY =	OR VIOLET =
GY	VT

HUSSMANN
DIAGRAM-IM-05-16-H
208 WIRED LIGHTS
DO NOT SCALE DRAWING
SHEET 2 OF 2

- NOTES:
1. PRINTED DOCUMENT REQUIRED SETTING: ALL COLORS BLACK & WHITE
 2. CASE & ANY REMOVABLE PANEL WITH ELECTRICAL PARTS MUST BE GROUNDED.
 3. WHEN PASSING WIRES THROUGH METAL HOLES A GROMMET MUST BE USED

7. Troubleshooting Guide



HUSSMANN Tech Support: 866-785-8499

HATCO TECH SUPPORT: 800-558-0607

INFORMATION REQUIRED WHEN CALLING FOR ASSISTANCE	Hatco Model Number	Store Contact Phone Number
	Hatco Serial Number	Complaint/issue
	Store Location	

HEATED SHELVES

Symptom	Probable Cause	Corrective Action
Product not holding temperature	Ambient conditions may be affecting the case operation.	Check case position in store. Is the case located near an open door, window, electric fan or air conditioning vent that may cause air currents? Case must be located minimum of 15 Ft away from doors or windows. Cases are designed to operate at 55% Relative Humidity and a temperature of 75°F.
	Heat settings too low.	Adjust shelf control setting.
	Product not hot when placed in case.	"Place prepackaged hot food in case. Measure food temperature when placed in case. Internal product temperature must be 160°F or greater when placed in case."
	Incorrect product packaging.	Some product packaging may impact the ability to hold product temperature. Use only approved containers.
	Product not placed correctly in case.	Load product in single layer, in direct contact with shelves.
	Unit not preheated.	Preheat case before loading product.
	Low voltage.	Dispatch Hatco authorized service agent
	Product held too long	Hold product for recommended time.
No shelf heat	Faulty shelf heater.	Dispatch Hatco authorized service agent
	Faulty control.	Dispatch Hatco authorized service agent
	Loose wiring on heater.	Dispatch Hatco authorized service agent
	Temperature setting turned "Off".	Increase shelf heat setting.
Main power switch on, but case is inoperative	Open circuit.	Check to see that cord is plugged in if plug is provided.
		Dispatch Hatco authorized service agent
		Dispatch Hatco authorized service agent
		Dispatch Hatco authorized service agent

continued on next page...

Trouble Shooting Guide Cont'd

HEATED SHELVES		
Symptom	Probable Cause	Corrective Action
Controller flashes a "PR1" error code	Shelf not installed or unplugged	If all shelves are installed, but LED controller light is flashing 'PR1' for that shelf, check the connection inside the case; insure it is plugged in securely. If the LED controller continues to flash, dispatch Hatco authorized service agent. <i>(When a heated shelf is removed/not plugged in, the controller will flash a "PR1" error code. If this a shelf was removed at the factory (requested by customer), a static cling label "NOT IN USE" should have been placed over the flashing controller.)</i>
Lights do not come on.*	Ballast/light socket wiring.	Dispatch Hatco authorized service agent
	Ballast needs to be replaced.	Dispatch Hatco authorized service agent
	Lamp socket needs to be replaced.	Dispatch Hatco authorized service agent
	Lamp needs to be replaced.	See Maintenance Section of Installation and Operation Manual.
	Light Switch needs to be replaced.	Dispatch Hatco authorized service agent

** Only Florescent Lights on shelves - O/H heating lamps not used with Heated Shelves*

8. Hatco Limited Warranty

1. PRODUCT WARRANTY

Hatco warrants the products that it manufactures (the "Products") to be free from defects in materials and workmanship, under normal use and service, for a period of one (1) year from the date of purchase when installed and maintained in accordance with Hatco's written instructions or 18 months from the date of shipment from Hatco. Buyer must establish the Product's purchase date by returning Hatco's Warranty Registration Card or by other means satisfactory to Hatco in its sole discretion.

Hatco warrants the following Product components to be free from defects in materials and workmanship from the date of purchase (subject to the foregoing conditions) for the period(s) of time and on the conditions listed below:

- a) **One (1) Year Parts and Labor PLUS One (1) Additional Year Parts-Only Warranty:**
 Conveyor Toaster Elements (metal sheathed)
 Drawer Warmer Elements (metal sheathed)
 Drawer Warmer Drawer Rollers and Slides
 Food Warmer Elements (metal sheathed)
 Display Warmer Elements (metal sheathed air heating)
 Holding Cabinet Elements (metal sheathed air heating)
 Built-In Heated Well Elements — HWB and HWBI Series (metal sheathed)
- b) **One (1) Year Parts and Labor PLUS Four (4) Years Parts-Only Warranty on pro-rated terms that Hatco will explain at Buyer's request:**
 3CS and FR Tanks
- c) **One (1) Year Parts and Labor PLUS Nine (9) Years Parts-Only Warranty on:**
 Electric Booster Heater Tanks
 Gas Booster Heater Tanks
- d) **Ninety (90) Day Parts-Only Warranty:**
 Replacement Parts

All Hatco products are assigned a ten digit serial number at the time of manufacture. This serial number is shown on the product specification label that is attached to the unit. **When contacting Hatco for assistance, it is very important and helpful that the serial number be provided.**

The last four digits of a Hatco serial number are the manufacturing date code:

Example = Serial number 9625060951 has a date code of "0951" which indicates the following:

0951
 └── Week Fifty-One
 └── Year 2009

In addition to the date code, a complete serial number provides a link to other specific unit information. **Please provide the unit serial number when contacting Hatco for assistance.**

THE FOREGOING WARRANTIES ARE EXCLUSIVE AND IN LIEU OF ANY OTHER WARRANTY, EXPRESSED OR IMPLIED, INCLUDING BUT NOT LIMITED TO ANY IMPLIED WARRANTY OF MERCHANTABILITY OR FITNESS FOR A PARTICULAR PURPOSE OR PATENT OR OTHER INTELLECTUAL PROPERTY RIGHT INFRINGEMENT. Without limiting the generality of the foregoing, SUCH WARRANTIES DO NOT COVER: Coated incandescent light bulbs, fluorescent lights, heat lamp bulbs, coated halogen light bulbs, halogen heat lamp bulbs, glass components, and fuses; Product failure in booster tank, fin tube heat exchanger, or other water heating equipment caused by liming, sediment buildup, chemical attack, or freezing; or Product misuse, tampering or misapplication, improper installation, or application of improper voltage.

2. LIMITATION OF REMEDIES AND DAMAGES

Hatco's liability and Buyer's exclusive remedy hereunder will be limited solely, at Hatco's option, to repair or replacement using new or refurbished parts or Product by Hatco or a Hatco-authorized service agency (other than where Buyer is located outside of the United States, Canada, United Kingdom, or Australia, in which case Hatco's liability and Buyer's exclusive remedy hereunder will be limited solely to replacement of part under warranty) with respect to any claim made within the applicable warranty period referred to above. Hatco reserves the right to accept or reject any such claim in whole or in part. In the context of this Limited Warranty, "refurbished" means a part or Product that has been returned to its original specifications by Hatco or a Hatco-authorized service agency. Hatco will not accept the return of any Product without prior written approval from Hatco, and all such approved returns shall be made at Buyer's sole expense. HATCO WILL NOT BE LIABLE, UNDER ANY CIRCUMSTANCES, FOR CONSEQUENTIAL OR INCIDENTAL DAMAGES, INCLUDING BUT NOT LIMITED TO LABOR COSTS OR LOST PROFITS RESULTING FROM THE USE OF OR INABILITY TO USE THE PRODUCTS OR FROM THE PRODUCTS BEING INCORPORATED IN OR BECOMING A COMPONENT OF ANY OTHER PRODUCT OR GOODS.

HATCO CORPORATION

P.O. Box 340500

Milwaukee, WI 53234-0500 U.S.A.

(800) 558-0607 (414) 671-6350
 Parts and Service Fax (800) 690-2966

International Fax (414) 671-3976

partsandservice@hatcocorp.com

www.hatcocorp.com

9. Hussmann Warranty



HUSSmann®

To obtain warranty information
or other support, contact your
Hussmann representative.
Please include the model and
serial number of the product.

Hussmann Corporation, Corporate Headquarters: Bridgeton, Missouri, U.S.A. 63044-2483 01 October 2012

10. Service Record

Last service date: By:

_____	_____
_____	_____
_____	_____
_____	_____
_____	_____
_____	_____
_____	_____
_____	_____

HUSSMANN®

Additional copies of this publication may be obtained by contacting:
Hussmann® Chino or going to our website

13770 Ramona Avenue • Chino, California 91710
(909) 628-8942 FAX
(909) 590-4910
(800) 395-9229

Hussmann Corporation
12999 St. Charles Rock Road
Bridgeton, MO 63044-2483
(800) 922-1919

www.hussmann.com

The *MODEL NAME* and *SERIAL NUMBER* is required in order to provide you with the correct parts and information for your particular unit.
They can be found on a small metal plate on the unit.
Please note them below for future reference.

MODEL: _____

SERIAL NUMBER: _____

HATCO SERIAL No: _____
