

# Little Buddy™ Mobile Wand

Operators  
Manual



**MODEL:**  
LBF128-169

# HYDRA RINSE®

CLEANS SIMPLE. SAFE. QUICK.



MODEL: LBF128-169

Complete for service reference information regarding your Hydra Rinse® product:

Model Number: \_\_\_\_\_

Serial Number: \_\_\_\_\_

(Optional) Soft Serve Machine Model Number: \_\_\_\_\_

© 2020 HYDRA RINSE, LLC | all rights reserved

LBF128-169 Little Buddy Mobile Wand

NSF Listed as LBF128-169 under Hydra Rinse, LLC

Any unauthorized reproduction, disclosure or distribution of copies by anyone unaffiliated with HYDRA RINSE, LLC relating to any portion of this work may be a violation of Copyright Law of the United States of America and other countries. Statutory Damages of up to \$150,000 (17 USC 504) could result for infringement, which could also lead to consequent civil and criminal penalties. All rights reserved

HYDRA RINSE, LLC 7870 Lehigh Crossing Suite 1, Victor New York 14564

Toll Free: 844-233-6349

## Table of Contents

	Page
Section 1: Installation Guidelines.....	1
Section 2: Operator Introduction.....	2
Section 3: Safety .....	3
Section 4: Product Introduction.....	4
Section 5: Referenced Components .....	5
Section 6: Installation .....	6
Section 7: Wand Functions/Operation .....	7
Section 8: Mobile/Stationary Dispensing.....	8
Section 9: Application of LEXX™ .....	9
Section 10: Cleaning and Periodic Maintenance.....	10
Section 11: Storage.....	13
Section 12: Troubleshooting Guide .....	14
Section 13: Replacement Components.....	17
Section 14: Warranty.....	18
Section 15: Appendix A.....	19
● LEXX™ pH Solution Measurement	
● LEXX™ Total Acid Concentration	

## Section 1: Installation Guidelines

The information provided is to ensure that your LBF128-169 Little Buddy™ Mobile Wand meets factory tested performance.

### Requirements



Care should be taken when operating your LBF128-169 to ensure proper performance and operation.

- Only Individuals who have fully read these instructions should install and operate this device.
- Only Authorized Service personnel should make any necessary repairs.

**Note:** *The LBF128-169 Little Buddy™ Mobile Wand was engineered to work exclusively with LEXX™ Liquid Sanitizer and Cleaner Concentrate, i.e. concentration level, specific viscosity, density properties.*

### Protective Measures



Never operate the LBF128-169 Little Buddy™ Mobile Wand separated from the cart. The wand system is designed to specifically function with the on-board 12VDC diaphragm pump.

### Freshwater Supply



Water supply must have a sanitary pH value of ~7.0-8.0, with a water hardness of <180 ppm.

### Water Temperature



Recommended water temperature greater than 55°F (12.7°C) but less than 120°F (48.9°C); Default: 78°F (25.5°C).

**Note:** Sustained operating temperatures equal to or greater than 120°F (48.9°C) can damage the unit.

We recommend using a **Water Softener** to minimize hard water impact on the entire Hydra Rinse® Eco System.

## Section 2: Operator Introduction

The following Hydra Rinse® product: LBF128-169 Little Buddy™ Mobile Wand has been carefully engineered and manufactured to give you consistent operation.

More importantly, the LBF128-169 Little Buddy™ Mobile Wand enables “REPEATABLE” dispensing of LEXX™ concentrate without manual mixing. This manual pertains to the following Hydra Rinse® Models:

- LBF128-169 Little Buddy™ Mobile Wand

### To the Operator

Careful maintenance and operation of this unit will ensure product quality and consistent performance (**Refer to Section 10 Cleaning & Storage**)

Please take care in understanding the outlined procedures in this manual.



Read this Operator’s Manual in its entirety before operating or performing any service on this device.

Remember, if you should ever need any technical assistance, always remember to first contact your local authorized LBF128-169 Little Buddy™ Mobile Wand Dealer/Reseller.

### State Considerations:

**(Included)** with every LBF128-169 Little Buddy™ Mobile Wand is a LEXX™ pH Test Strip Kit. The test strip is used for measuring the acceptable range of pH for proper sanitization (strip should indicate less than 3.5pH).

For States requiring a total citric acid concentration (grams/Liter) semi-quantitative measurement (**Sold separately**). Use QUANTOFIX® Total acid part no. 91353 (Strip should indicate between 2.0-2.5 g/L)

**Note:** *Warranty is valid if authorized LBF128-169 Little Buddy™ Mobile Wand parts are acquired from an authorized Distributor/Reseller, along with any service work being performed by an authorized service technician. Hydra Rinse® reserves any right to deny warranty claims on device or parts if unofficial components were installed in the unit. This also applies to any modifications that fall out of the scope of factory recommendations, apparent abuse or neglect.*

**Note:** *LBF128-169 Little Buddy™ Mobile Wand is under continuous research and engineering; any improvements to our product will lead to information changes within this manual and are subject to change without notice.*

## Section 3: Safety

Implementation with any one of our products requires a thorough understanding of factory recommendations; complete knowledge of this Operator's Manual is recommended.

### Important Message



Failures to adhere to the listed safety precautions may result in severe personal injury or even death. Personal, unauthorized service or repairs to this unit may result in inadvertent damages, and excessive service repair expense.

### Visual Inspection of all Components



As a good practice, please take time to periodically inspect LBF128-169 Little Buddy™ Mobile Wand for unforeseeable issues that may arise due to worn or damaged components (e.g. water lines, supply hoses). Hoses can be an obstacle resulting in tripping and/or falling hazards that result in injury. Always work carefully around hoses avoiding injury to anyone within direct and/or indirect contact.

Water can wreak havoc with compromised systems, especially with unprotected surroundings like electrical receptacles that are unprotected by ground fault circuit interruption (GFCI). Worn out extension cords can lead to electrical shock when exposed to water.

Water and electricity do not mix. When working with the LBF128-169 Little Buddy™ Mobile Wand, please never take anything for granted with your work environment. If floors become extremely wet, remember to always mop before leaving the workspace; a proactive approach is the only way to stay safe.

### Water Temperature



Operating the LBF128-169 Little Buddy™ Mobile Wand with water temperatures above 120°F (48.9°C) is not recommended; burns will occur from over exposure.

### Wand



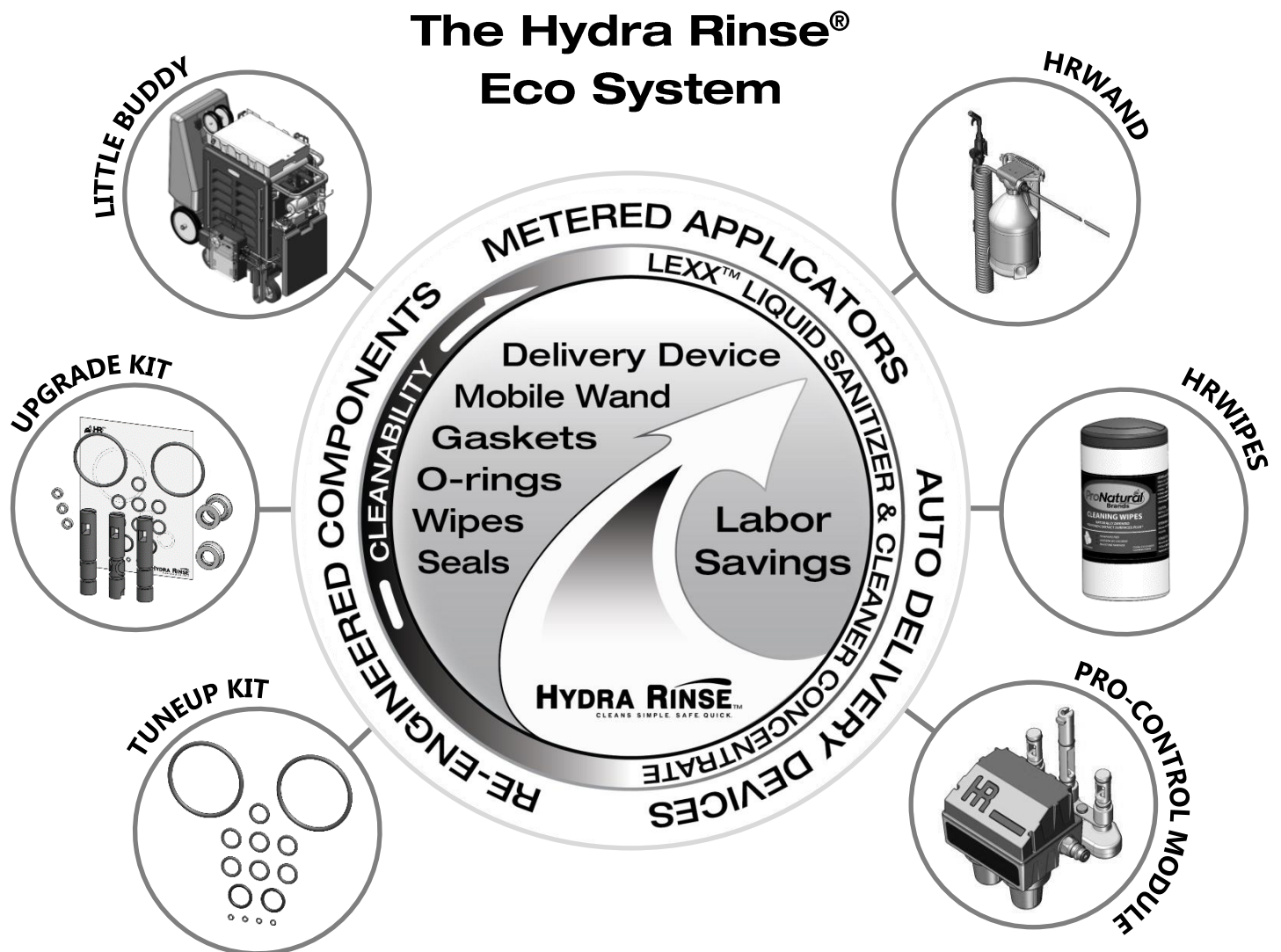
Never directly point the Wand at anyone, for any reason. Never insert the Wand Tip into any orifice of any food dispensing device and/or electrically powered food equipment that may allow access to electrical circuitry/components. When possible, always power off equipment before servicing to avoid electrocution/ damage to device.

**Note:** *Though our devices are engineered to the highest standard, it is recommended at the end of every day that the water source supplied to the LBF128-169 Little Buddy™ Mobile Wand is turned off; connections are not intended for permanent installation. Leaving the devices under constant static pressure could result in unwanted water damage or flooding.*

## Section 4: Product Introduction

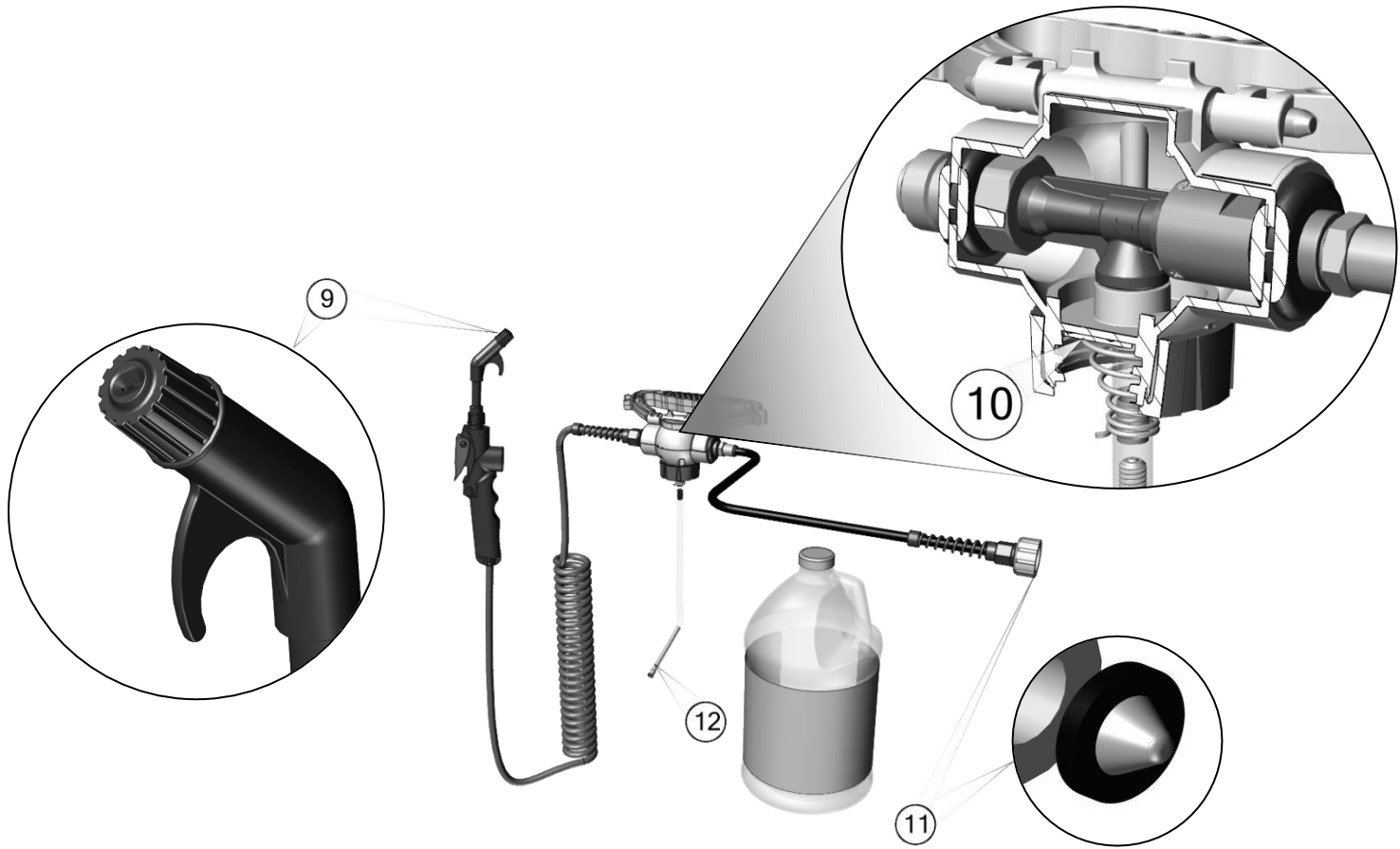
The Hydra Rinse® Eco System is comprised of a plurality of Hydra Rinse® products designed to work exclusively with ProNatural® Brands naturally derived LEXX™ Liquid Sanitizer and Cleaner Concentrate (LEXX™). The Hydra Rinse® Eco System was designed for cleaning food dispensing equipment i.e. soft serve ice cream machines.

When you bring more components of The Hydra Rinse® Eco System into your cleaning process, the more time and money you begin to save while promoting a standardized cleaning solution for end users.



Ask your participating Distributor/Reseller for more information about Hydra Rinse® products and their applications.

## Section 5: Referenced Components



The following items will be used in the text of this manual:

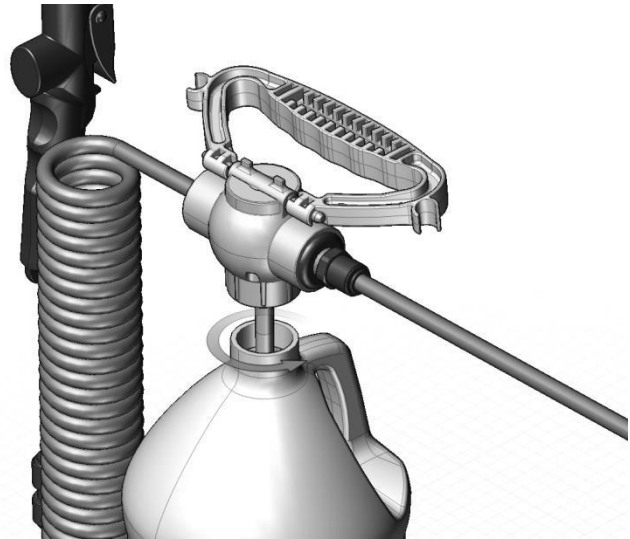
Item:	Description:
09	Wand Tip
10	Jug Breather Vent
11	Inlet Water Filter
12	Solution Draw Tube

## Section 6: Installation

● Fully remove the Cap & Thermal Foil Protective Seal from the “LEXX™ Liquid Sanitizer and Cleaner Concentrate” gallon Jug.

● While carefully working the Solution Draw Tube into the gallon, secure the “**METERING ASSEMBLY**” by rotating the Jug counterclockwise until snug.

*(Do not over tighten; failure to do so will prematurely wear out Jug Breather Vent or worse crack the metering assembly).*

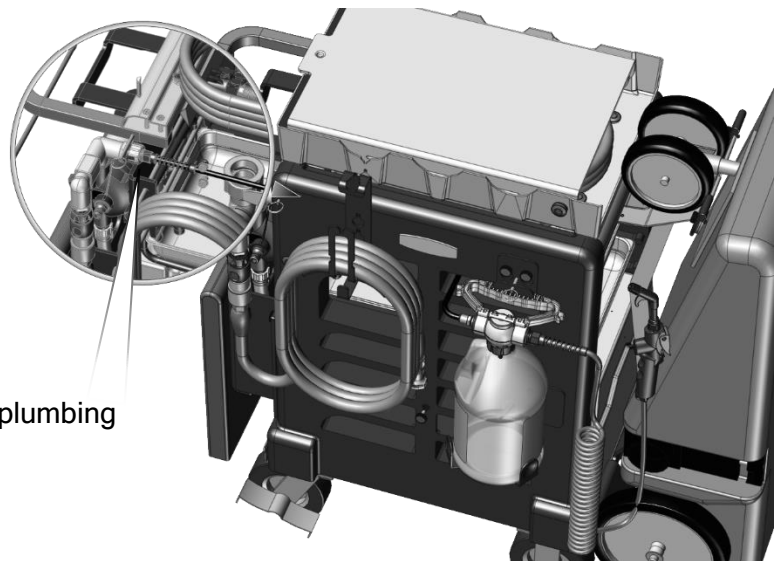


**Note:** If LEXX™ reaches temperatures below 45°F (7.2°C): Warm up to room temperature 60 - 75°F (15.6-23.9°C), and then thoroughly mix or shake prior to use.

● Connect the “**3’ Wand Supply Hose**” directly to the ¾ MGHF fitting on the plumbing assembly. Once snug, continue to rotate clockwise for an additional 90-110° (quarter turn) to insure a good tight water seal.

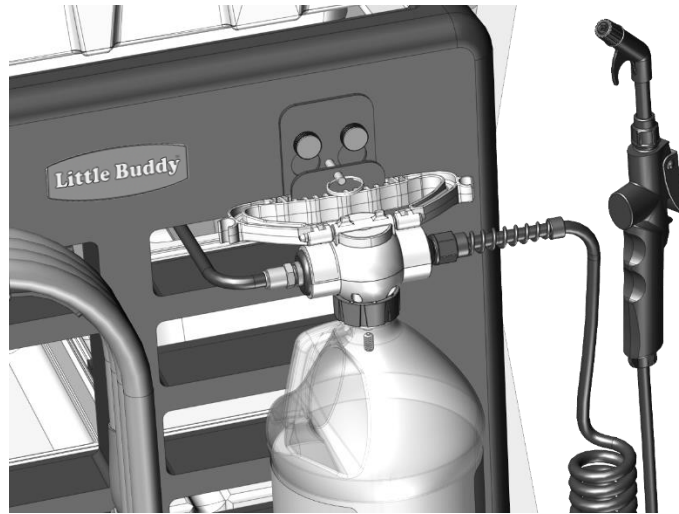
**Note:** Hand tight only, do not over tighten.

connect to plumbing assembly



## Section 7: Wand Functions/Operation

● The “**Wand Assembly**” is intentionally made of plastic to keep from inadvertently scratching any type of surface substrate during usage. The Actuating Trigger has two settings: Simply press down and release for momentary usage or press down and then slide the trigger forward to temporarily lock the trigger into the dispensing position until desired usage; simply slide back while pressing downward to release.



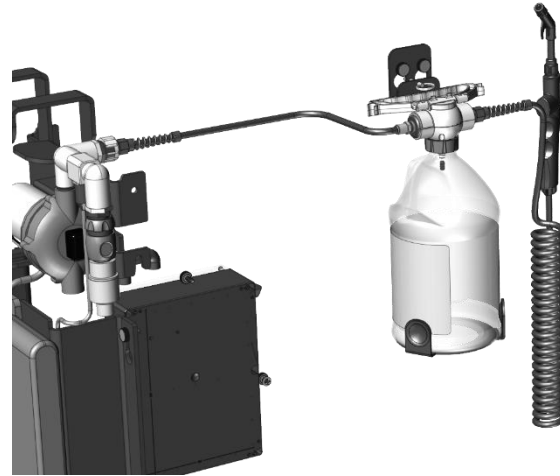
● You have some control as to positioning the output spray fan from vertical to horizontal and vice versa by manually rotating the Wand Tip.



## Section 8: Mobile/Stationary Dispensing

● The “**Mounting Bracket**” performs two simple features:

1. It provides a sturdy nesting place for the LBF128-169 Little Buddy™ Mobile Wand.
2. It’s designed to be easily removed without tools.



● By simply pulling out the quick release pin, the carry handle becomes free, making the wand completely accessible.



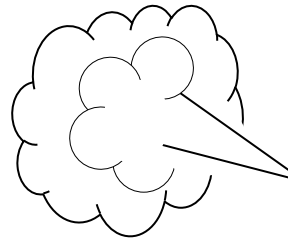
## Section 9: Application of LEXX™

LEXX™ as a soil remover:

- Apply solution directly to hard non-porous food contact related surfaces you want to address. Follow with a mechanical scrubbing to remove soil from surface; wipe clean or rinse with water.

LEXX™ as a surface treatment:

- After the surface is deemed clean, reapply another application of LEXX™ and wipe solution to evenly distribute. Let stand for at least 1 minute to allow solution to effectively treat surface; **Drain/wipe away any excess solution. DO NOT RINSE.**



### TESTING SOLUTION WITH pH TEST STRIP:

Dispense ~8 fl. oz. of LEXX™ using wand into a cup for submersing test strip (~ 2 inches in length from roll):  $\leq 3.5\text{pH}$  is a good reading when testing with LEXX™ pH test strips.



For more efficacy data and usage, please visit:

<http://pronaturalbrands.com>

### Independent Third-Party Sanitizer Efficacy Validation:

As part of the EPA registration, the efficacy of the LEXX™ at killing two common food-borne pathogens (Staphylococcus aureus and Escherichia coli) was tested according to an EPA-required test protocol (AOAC Germicidal and Detergent Sanitizing Action of Disinfectants) under strict Good Laboratory Practices (GLP) by an independent third party laboratory. Three separate batches of LEXX™, all formulated with citric acid (the active ingredient) below the lower certified limit, were tested to confirm reproducibility of the testing. LEXX™ was manually diluted 1:128 in hard water (i.e., 1 part of LEXX™ with 127 parts of 300 ppm hard water) and bacteria were exposed to the diluted LEXX™ for 30 seconds. An aliquot was removed, neutralized, and viable bacteria cultured. The following table summarizes the results of the testing:

Test Microorganism	Test Substance	Test Substance Lot Number	Contact Time	CFU/ml	Percent Reduction to Initial #'s Control	Log Reduction Compared to Initial #'s Control
E. coli (ATCC 11229)	LEXX™ Diluted 1:128 in 300 ppm Hard Water	1001-EF1	30 seconds	<2.27	>99.9999985%	>7.83
		1002-EF2		<2.27	>99.9999985%	>7.83
		1003-EF3		<2.27	>99.9999985%	>7.83
S. aureus (ATCC 6538)	LEXX™ Diluted 1:128 in 300 ppm Hard Water	1001-EF1	30 seconds	<2.27	>99.9999986%	>7.87
		1002-EF2		<2.27	>99.9999986%	>7.87
		1003-EF3		<2.27	>99.9999986%	>7.87

Test Results now include: Salmonella enterica (30 sec. contact time with >99.999999% reduction of live pathogens). Campyobacter jejuni (30 sec. contact time with >99.999999% reduction of live pathogens). Listeria monocytogenes (30 sec. contact time with > 999.999999% reduction of live pathogens).

## Section 9: Application of LEXX™

### Independent Third-Party Sanitizer Efficacy Validation:

#### NOTES:

- CFU = colony forming units
  - The limit of detection (LOD) was 2.27 CFU/ml. Results below the LOD are noted as <2.27
- In conclusion, LEXX exhibited very potent sanitizing efficacy in the EPA-approved and GLP-compliant study. For the two organisms and three batches of product that were tested, no growth of the organisms was noted demonstrating strong sanitizing efficacy of LEXX when diluted 1:128 in 300 ppm hard water.

## Section 10: Cleaning and Periodic Maintenance

- Visual gross food residue should be removed from exposed surfaces of the LBF128-169 Little Buddy™ Mobile Wand on a regular basis using a clean/non-abrasive towel/brush and/or applicator that has been wetted with LEXX™. Simply wipe down until visibly clean.

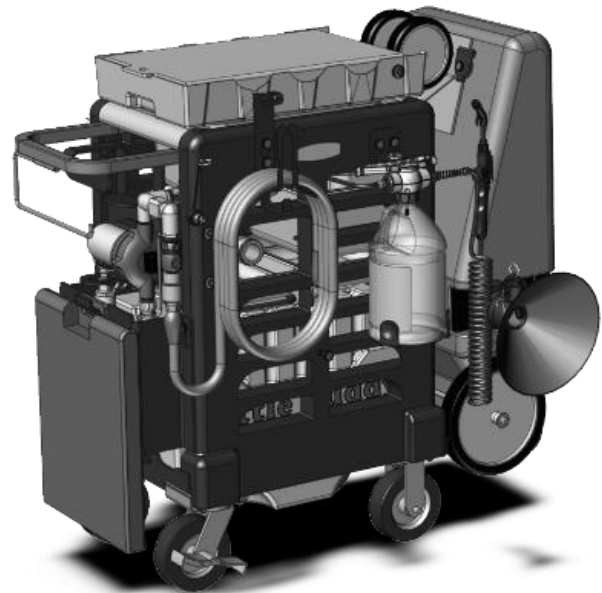


It's imperative after every bottle of consumed LEXX™ that the Wand itself is disassembled and inspected for sedimentation (page 12).

If your water supply is not treated with a water softener, the amount of deposit buildup will vary.

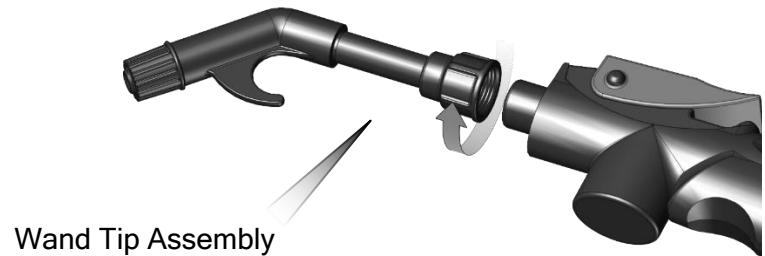
Proper maintenance of the Wand ensures that the product solution will be dispensed at the proper consistency.

**Note:** *If you notice a reduction in the amount of foam dispensed refer to troubleshooting guide Section 12.*

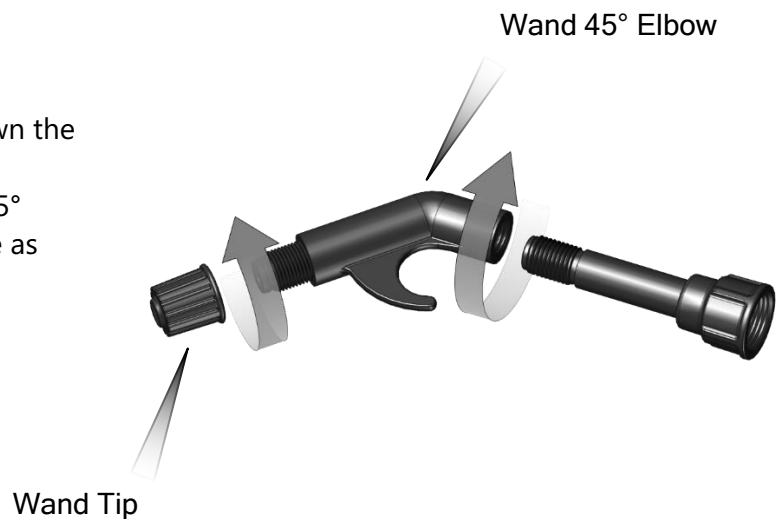


## Section 10: Cleaning and Periodic Maintenance

● The Wand was designed for easy disassembly for quick serviceability. Disconnect the Wand Tip Assembly by rotating counterclockwise as illustrated.



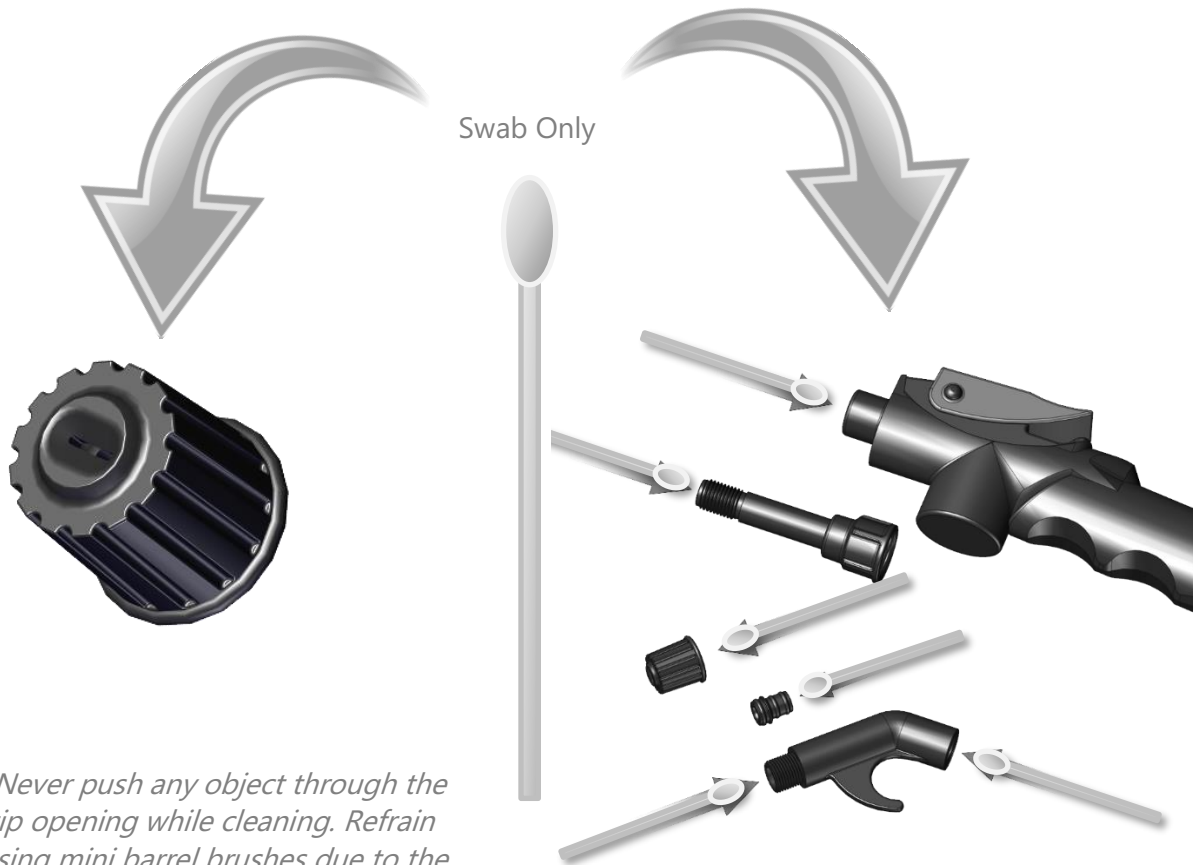
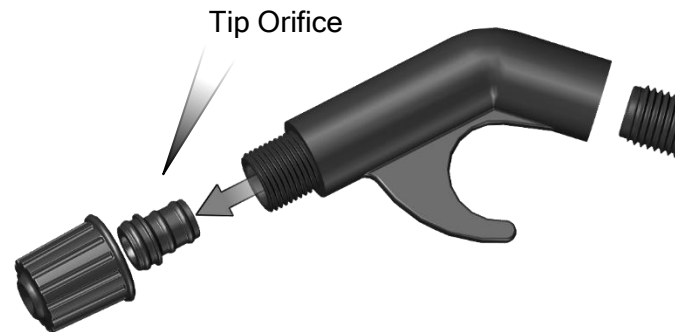
● Next, continue to further breakdown the wand tip assembly into individual components. Rotate both the Wand 45° Elbow and Wand Tip counterclockwise as illustrated.



## Section 10: Cleaning and Periodic Maintenance

● Residing beneath the Wand Tip is the Tip Orifice. To remove, slightly twist while pulling on the Tip Orifice. Removing the Tip Orifice provides for necessary access to the wand's 45° elbow inner passageways.

● Keep all sharp objects away from all wand components while cleaning. We recommend using a Swab Applicator (Q-tip Swabs with wooden handles approximately 6 inches in length). Rinse with warm water.



**Note:** *Never push any object through the wand tip opening while cleaning. Refrain from using mini barrel brushes due to the potential of unintentional scratching of surfaces.*

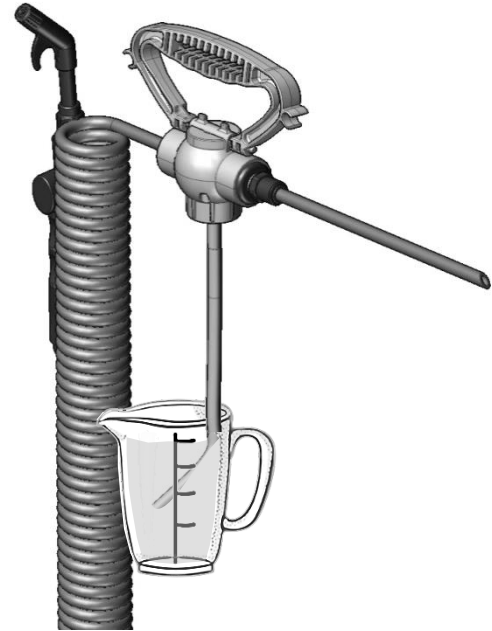
## Section 11: Storage

● For long term inactivity (>1 month):  
Perform the Wand Tip Assembly Cleaning  
Process.

To avoid any impact to performance,  
simply remove the 1 US Gallon jug of LEXX™  
from the metering assembly and continue to  
dispense until the Solution Draw Tube is  
mostly free from product. Next, placing the  
solution draw tube into a cup that is filled  
with 4-8 fl. oz. of lukewarm water. While  
dispensing from the wand (must be  
connected to a water source), observe that at  
least 4 fl. oz. of water are drawn from the cup  
up through the wand.

Remove the solution draw tube from  
the cup and continue to dispense until the  
solution draw tube is mostly empty. Turn off  
the main water supply while continuing to  
hold down the Wand Actuating Trigger.

After spray begins to diminish, release  
the wand actuating trigger (this sequence  
removes any remaining pressure from the  
system); reattach the “**METERING  
ASSEMBLY**” to the 1 US Gallon Jug before  
storing.



***(Do not over tighten; failure to do so will  
prematurely wear out Jug Breather Vent  
or worse crack the metering assembly).***

**Note:** *The wand has a locking feature for the  
actuating trigger, this would allow for  
unattended dispensing for the pre-storage  
process.*

## Section 12: Troubleshooting Guide 1 of 3

● Due to the sensitive nature of LBF128-169 Little Buddy™ Mobile Wand: always consult your local authorized Dealer/Reseller when a problem is unresolved.

Things to observe: If the “**Wand Assembly**” begins to sputter, check the 1 US Gallon jug to see if solution is still present; if empty simply replace with a new gallon of LEXX™.

As available solution becomes less than 2/3 full in the 1 US Gallon jug, as an operator you will need to keep the LBF128-169 Little Buddy™ Mobile Wand vertical, not allowing the possibility of the device to operate while laying on its side, especially during dispensing; this can cause intermittent solution disbursements.



Problem:	Potential Cause:	Potential Solution:
No spray	<ul style="list-style-type: none"> <li>• No/low water pressure</li> <li>• Plugged Inlet Water Filter</li> <li>• Reversed inlet/outlet hoses</li> <li>• Stuck Inlet Check Valve</li> </ul>	<ul style="list-style-type: none"> <li>• Turn on water source. Loose filter cap inside freshwater tank. Water pump is taking in air due to loose-fitting(s)/O-ring worn/nicked on pump inlet adaptor</li> <li>• Check and clean if required</li> <li>• Swap hose locations</li> <li>• Contact Dealer/Reseller</li> </ul>
No bubbles/ foam	<ul style="list-style-type: none"> <li>• Out of LEXX™</li> <li>• Plugged/clogged Solution Draw Tube, Wand deposits</li> <li>• Coil Hose buildup</li> </ul>	<ul style="list-style-type: none"> <li>• Install a new bottle of LEXX™</li> <li>• Contact Authorized Dealer</li> <li>• Perform Wand Cleaning <b>Section 10</b></li> <li>• Clean/replace if required</li> </ul>
Leaks	<ul style="list-style-type: none"> <li>• Improper engagement of push-to-connect to hose</li> <li>• Loosely connected fittings</li> </ul>	<ul style="list-style-type: none"> <li>• Check and push hose into leaking fitting</li> <li>• Tighten leaking fitting by rotating an additional 90-110° rotation</li> </ul>
Difficulty in squeezing Wand Trigger	<ul style="list-style-type: none"> <li>• Defective Wand</li> </ul>	<ul style="list-style-type: none"> <li>• Replace Wand Assembly</li> </ul>

TABLE CONTINUED →

## Section 12: Troubleshooting Guide 2 of 3

Problem:	Potential Cause:	Potential Solution:
Jug collapses on itself	• Jug Breather Vent clogged	• Loosen Metering Assembly and then re-tighten with less force • Replace Jug Breather Vent
Metering Assembly is leaking	• Worn or damaged components	• Contact Authorized Dealer for replacement of Check Valve
Wand Trigger Delays in closing/Sticky	• Lubrication of Wand Valve has diminished over time/usage	• Remove Wand Valve and Lubricate with High performance Food Safe Lubricant. See Steps below.

### Steps for re-lubrication of Wand Actuation Trigger:



1.) Remove Wand Actuation Trigger Handle. Using a flat head screwdriver, carefully wedge the flat head between the wand actuation trigger handle and the wand body to separate from mounting bosses.



2.) Remove Wand Valve Nut by rotating counterclockwise. Press down on the exposed valve stem to remove the valve spring.



3.) Next, completely remove the Wand Valve, and lubricate both valve O-rings with high performance food safe lubricant. Do not leave large clumps of lubrication on any surface (may clog tip); a light even coat will suffice.

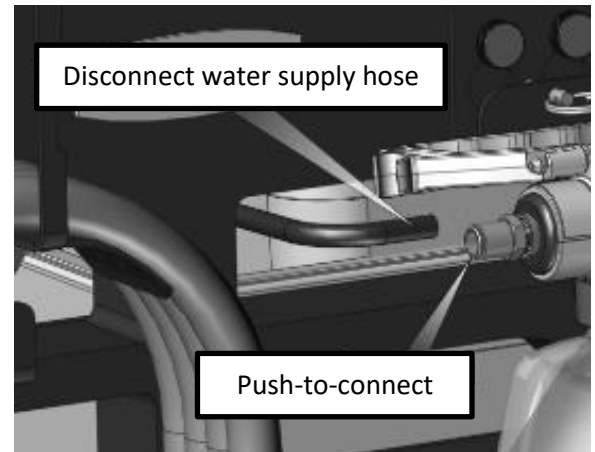


4.) Re-assemble in reverse order. This process may be required once a year based on usage.

## Section 12: Troubleshooting Guide 3 of 3

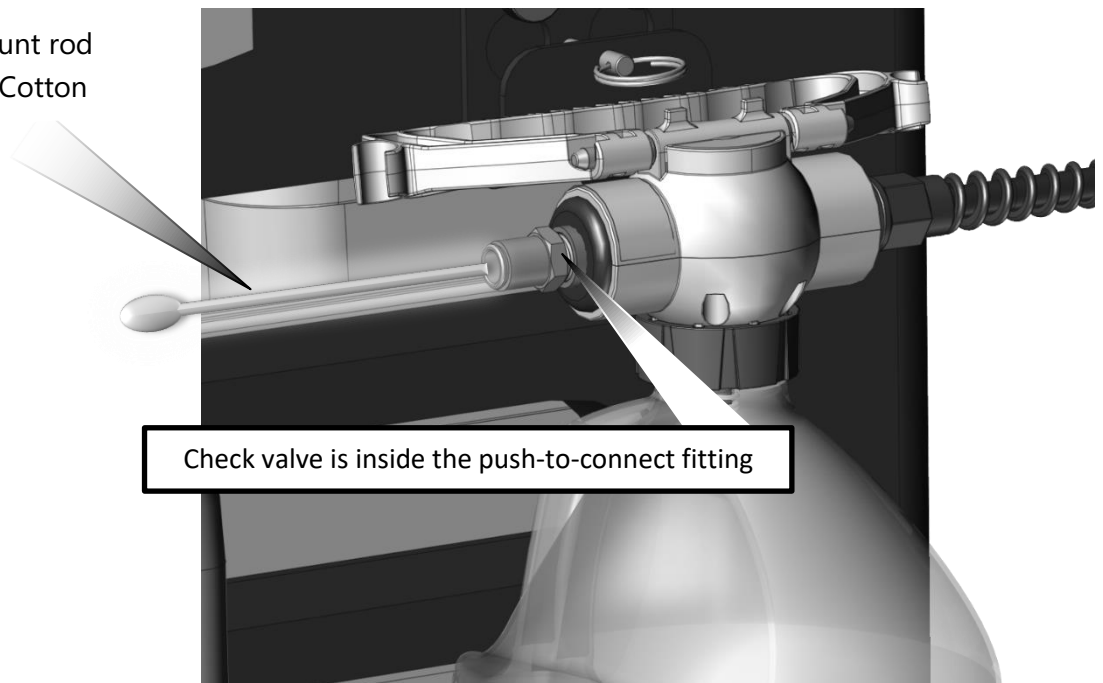
If the wand has gone for an extended period of time without use, it's possible that the inlet water supply "CHECK VALVE" has become stuck in the closed position. If you are actuating the wand handle, and the water supply/pump is turned on, but no solution is flowing through the wand tip, you'll need to "UNSTICK" the inlet check valve.

- Remove the inlet water supply hose by pressing in on the "PUSH-TO-CONNECT" while pulling outward on the water supply hose.
- Use a blunt dowel ~2mm in diameter, and gently press inward on the check valve i.e. you'll be pressing on the check valve ceramic ball located in the middle of the check valve, breaking it free from any residue that has dried out over time.



Re-install the inlet water supply hose, turn on the water supply/pump and pull the trigger on the wand handle; if no flow, repeat the process making sure you are pressing in on the check valve ceramic ball.

~2mm diameter blunt rod  
(e.g. Q-Tips Wood Cotton Swabs)



## Section 13: Replacement Components

FOR REPLACEMENT COMPONENTS, ADDITIONAL  
INFORMATION, SUPPORT, AND VIDEOS FOR YOUR  
HYDRA RINSE® PRODUCTS PLEASE VISIT

[WWW.HYDRARINSE.COM](http://WWW.HYDRARINSE.COM)

OR CONTACT YOUR LOCAL HYDRA RINSE® DEALER



## Section 14: Warranty

The Seller warrants the LBF128-169 Little Buddy™ Mobile Wand will operate or substantially perform within the published specifications and be free from material and workmanship defects, when subjected to normal, proper and intended usage by properly trained personnel. Please visit [www.hydrarinse.com](http://www.hydrarinse.com) for warranty registration.

Seller agrees during the Warranty Period, to repair or replace, at Seller's option, defective item(s) to allow the LBF128-169 Little Buddy™ Mobile Wand to operate or substantially perform within the published specifications; provided the Buyer (a) promptly notifies the Seller in writing when the defect is discovered, and provides Seller the product model, serial number and details of the warranty claim; and (b) after Seller's review, Seller will provide Buyer with service data and/or a Return Merchandise Authorization ("RMA"), which may include product-specific handling instructions. At that time, the Buyer may return the defective item(s) to Seller with all return shipping costs paid by Seller. The Seller has the option to use new or refurbished replacement parts for warranty work. All replaced parts become the property of Seller. Shipment to Buyer of repaired or replacement parts/equipment will be made in accordance with the Seller's delivery policy.

The Seller has no obligation to make repairs, replacements or corrections, in whole or in part, as the result of: (i) normal wear and tear; (ii) accident, disaster or force majeure; (iii) the Buyer's misuse of the LBF128-169 Little Buddy™ Mobile Wand or the Buyer's negligence; (iv) use of the LBF128-169 Little Buddy™ Mobile Wand in a manner for which it was not designed or intended; (v) external causes such as, but not limited to, power failure or electrical power surges; (vi) improper storage or handling of the LBF128-169 Little Buddy™ Mobile Wand by Buyer; or (vii) use of the LBF128-169 Little Buddy™ Mobile Wand in combination with equipment not purchased directly from the Seller.

Any installation, maintenance, repair, service, relocation or alteration, or other tampering with, the LBF128-169 Little Buddy™ Mobile Wand performed by any individual or entity other than the Seller, without Seller's prior written approval, or any use of replacement parts not supplied by Seller, shall immediately void and cancel this warranty. This warranty entitles to you specific rights, and you may also have other rights, which differ from state to state. No other warranties shall apply.

## Section 15: Appendix A

### LEXX™ pH Solution Measurement ProNatural® Brands pH Test Strip (HR-KT-0054)

#### Inspection Process:

##### 1. Creating Test Solution:

###### Hydra Rinse® Pro-control:

After the completion of the Hydra Rinse® Pro-control cycle, drain LEXX™ solution from machine into a clean emptied catch bucket for collecting test solution (do not add used LEXX™ Cups to the drained solution in catch bucket)

###### Wand:

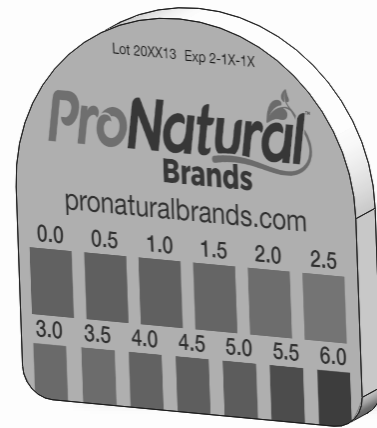
Allow solution to freely dispense into a catch bucket for a minimum of 30 seconds. Next collect at least 8 fl. oz. of solution into a clean emptied cup for collecting test solution.

##### 2. Taking Measurement:

Submerge test strip (~2 inches in length from roll) in solution for 2 seconds. Compare wetted test strip immediately to the color scale.

##### 3. Results:

Test strip should indicate  $\leq 3.5$ pH for an acceptable reading when testing with a LEXX™ pH Test Strip.



## Section 15: Appendix A

### LEXX™ Total Acid Concentration (grams/Liter) Semi-quantitative Measurement (Sold separately)

### QUANTOFIX® Total acid (Part no. 91353)

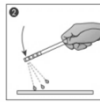
#### Inspection Process



#### 1. Creating Test Solution:

##### Hydra Rinse® Pro-control:

After the completion of the Hydra Rinse® Pro-control cycle, drain LEXX™ solution from machine into a clean emptied catch bucket for collecting test solution (do not add used LEXX™ Cups to the drained solution in catch bucket)



##### Wand:

Allow solution to freely dispense into a catch bucket for a minimum of 30 seconds. Next collect at least 8 fl. oz. of solution into a clean emptied cup for collecting test solution.



#### 2. Taking Measurement:

Follow the instructions supplied with the QUANTOFIX® product to obtain the semi-quantitative total acid content.

#### 3. Results:

Test strip should indicate between:  
2.0-2.5 g/L



#### QUANTOFIX® Total acid

en

**Description:**  
QUANTOFIX® Total acid are test strips for semi-quantitative determination of the total acid content. The total acid content is expressed as g of citric acid per L. QUANTOFIX® Total acid test strips are also suitable for reflectometric evaluation using the QUANTOFIX® Relax (REF 913 46).

**Pack content:**  
1 aluminium can with 100 test strips

##### Measurement range

Visually

2-5 g/L citric acid

Color gradations:

0 - 2.0 - 2.5 - 3.0 - 3.5

General indicator:

Always with drawal. D

Instru

1. D

2. T

3. T

7

Reflectometrically



Consult your local and state health codes for your requirements

\*Recommend purchasing from CTL Scientific. Toll-Free: 888-686-3454

# Intentionally Blank

101-9750 B

# HYDRA RINSE®

## Standardizing Innovation

Thank You for your

LBF128-169 Little Buddy™ Mobile Wand

purchase!

# HYDRA RINSE®

**Standardizing Innovation**

101-9750 B