

Ice-O-Matic®

Ice. Pure and Simple™

SERVICE PARTS MANUAL CIM 22 INCH WIDE SERIES CIM0320, CIM326, CIM0520, CIM526 CIM0325 and CIM0525



This parts list contains the service parts available for the following CIM Series.

CIM0320 115/60/1

CIM0325 220-240/50/1

CIM0326 208-230/60/1

CIM0520 115/60/1

CIM0526 208-230/60/1

CIM0525 220-240/50/1

Model Number Example

CIM0320HA

CIM = **C**uber **I**ce **M**achine

03 = 300 lb, in 24 hours capacity

2 = 22 inch wide cabinet

0 = 115 Volt, **5** = 220-240/50/1 **6** = 208-230/60/1 Volt

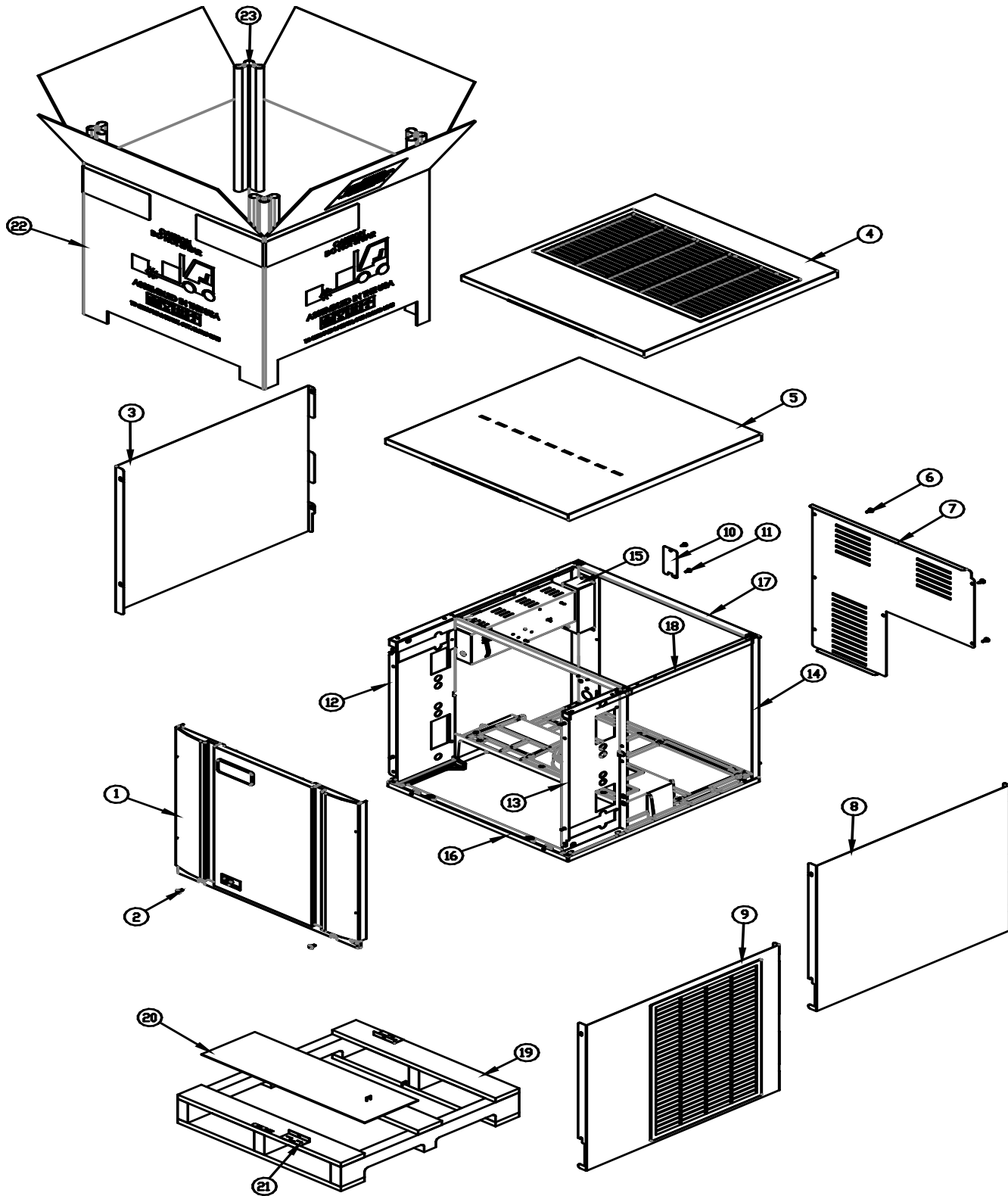
H = Half Cube Size, **F** = Full Cube Size

A = Air Cooled Condenser, **W** = Water Cooled Condenser

Check the model number on the data plate and refer to the correct listing for the specific component.

Check carefully that the correct part is identified and ordered.

Table of Contents	Page 1
Cabinet	Page 2-3
Water System	Page 4-5
Air Cooled Condenser	Page 6-7
Water Cooled Condenser	Page 8-9
Remote Condenser	Page 10-11
Electrical	Page 12-13



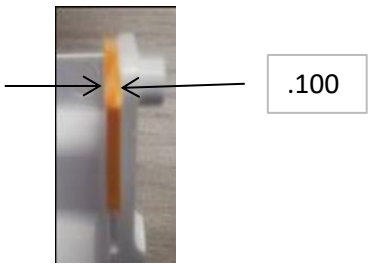
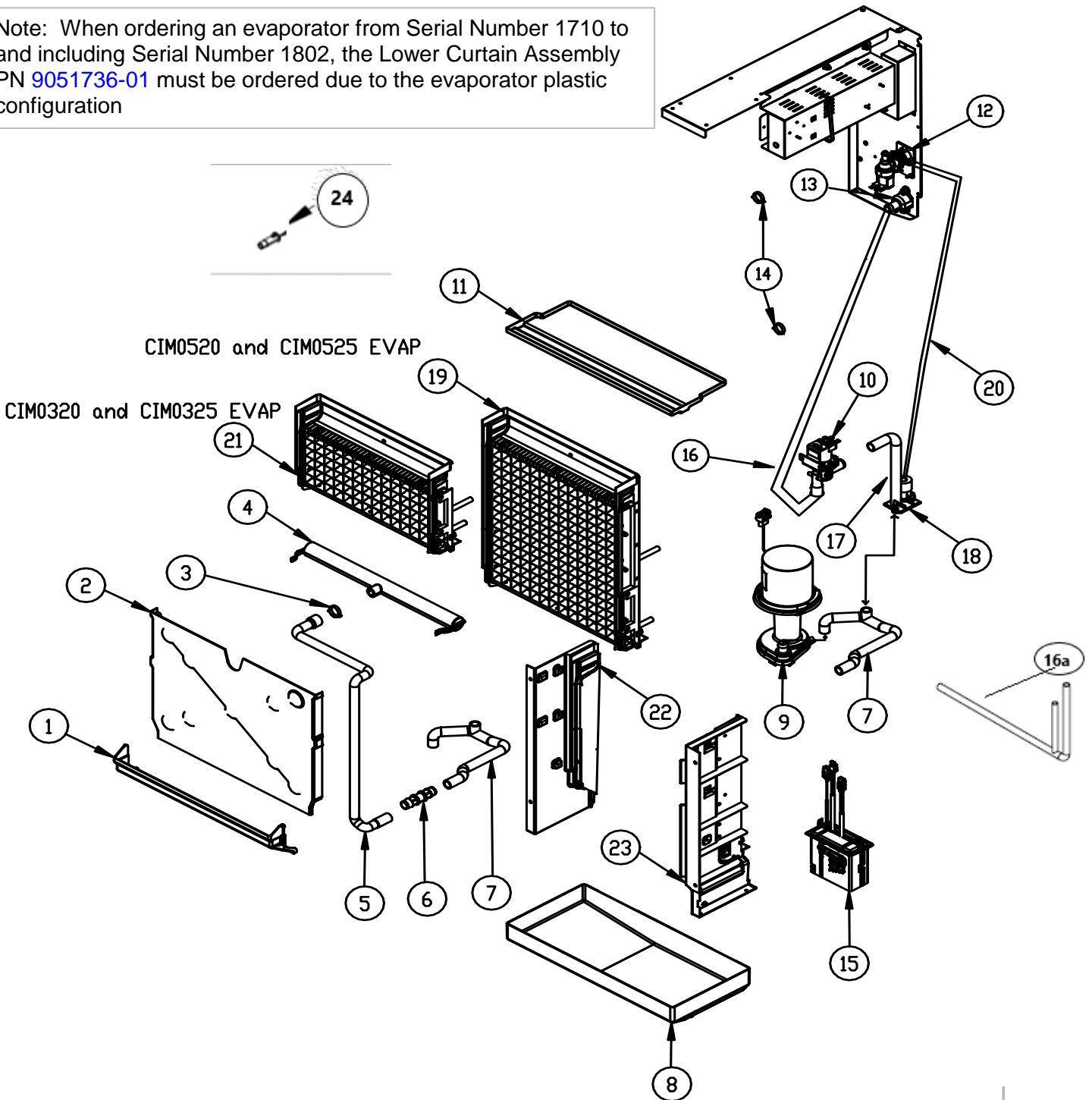
CIM Service Parts

Cabinet

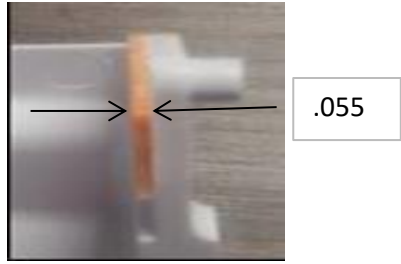
Item No.	Model Number				Description	
	CIM0320	CIM0326		CIM0520		CIM0526
1	2031543-01S	2031543-01S		2031543-01S	2031543-01S	Front Panel
2	9031237-01P	9031237-01P		9031237-01P	9031237-01P	Front Panel Screws
3	3022007-02	3022007-02		3022007-02	3022007-02	Left Side Side Panel
4	3022012-07	3022012-07		3022012-07	3022012-07	Top Panel-Air Cooled
5	3022012-01	3022012-01		3022012-01	3022012-01	Top Panel- Water Cooled
6	9031046-01P	9031046-01P		9031046-01P	9031046-01P	Rear Cover Screws
7	3013634-01	3013634-01		3013634-01	3013634-01	Rear Cover
8	3022007-03	3022007-03		3022007-03	3022007-03	Right Side Panel-Water Cooled
9	3022007-08	3022007-08		3022007-08	3022007-08	Right Side Panel-Air Cooled
10	3013674-01	3013674-01		3013674-01	3013674-01	Junction Box Cover
11	9031046-01	9031046-01		9031046-01	9031046-01	Junction Box Screw
12	2021784-01	2021784-01		2021784-01	2021784-01	Front Left Brace
13	2021785-01	2021785-01		2021785-01	2021785-01	Front Right Brace
14	2021782-01	2021782-01		2021782-01	2021782-01	Right Side Rear Corner
15	2101494-01	2101494-01		2101494-01	2101494-01	Junction Box
16	9051725-01	9051725-01		9051725-01	9051725-01	Base
17	3013636-01	3013636-01		3013636-01	3013636-01	Rear Brace
18	3013691-01	3013691-01		3013691-01	3013691-01	Top Right Framework
19	9011369-03	9011369-03		9011369-03	9011369-03	Elevation Skid 22 Inch
20	9011378-02	9011378-02		9011378-02	9011378-02	Carton Liner 22 Inch
21	9051765-01	9051765-01		9051765-01	9051765-01	Shipping Bracket 2 Req. (Field Installed)
22	9011374-01	9011374-01		9011374-01	9011374-01	Carton, Elevation 22 Inch
23	9011320-15	9011320-15		9011320-15	9011320-15	Corner Post (Each), Elevation, (4 Required)
	9031026-04P	9031026-04P		9031026-04P	9031026-04P	Pop Rivets Not Shown (Package of 10)
	115/60/1	208-230/60/1		115/60/1	208-230/60/1	← Voltage

Item No.	Model Number				Description
	CIM0335			CIM0535	
1	2031543-01S			2031543-01S	Front Panel
2	9031237-01P			9031237-01P	Front Panel Screws
3	3022007-02			3022007-02	Left Side Side Panel
4	3022012-07			3022012-07	Top Panel-Air Cooled
5	NA			3022012-01	Top Panel- Water Cooled
6	9031046-01P			9031046-01P	Rear Cover Screws
7	3013634-01			3013634-01	Rear Cover
8	3022007-03			3022007-03	Right Side Panel-Water Cooled
9	3022007-08			3022007-08	Right Side Panel-Air Cooled
10	3013674-01			3013674-01	Junction Box Cover
11	9031046-01			9031046-01	Junction Box Screw
12	2021784-01			2021784-01	Front Left Brace
13	2021785-01			2021785-01	Front Right Brace
14	2021782-01			2021782-01	Right Side Rear Corner
15	2101494-02			2101494-02	Junction Box
16	9051725-01			9051725-01	Base
17	3013636-01			3013636-01	Rear Brace
18	3013691-01			3013691-01	Top Right Framework
19	9011369-03			9011369-03	Elevation Skid 22 Inch
20	9011378-02			9011378-02	Carton Liner 22 Inch
21	9051765-01			9051765-01	Shipping Bracket 2 Req. (Field Installed)
22	9011374-01			9011374-01	Carton, Elevation 22 Inch
23	9011320-15			9011320-15	Corner Post (Each), Elevation, (4 Required)
24	9031026-04P			9031026-04P	Pop Rivets Not Shown (Package of 10)
	220-240/50/1			220-240/50/1	← Voltage

Note: When ordering an evaporator from Serial Number 1710 to and including Serial Number 1802, the Lower Curtain Assembly PN 9051736-01 must be ordered due to the evaporator plastic configuration

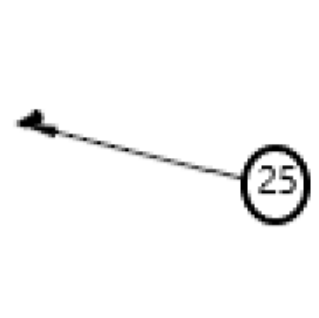


1051225-01



1051225-02

Lower Curtain Dimensions



25

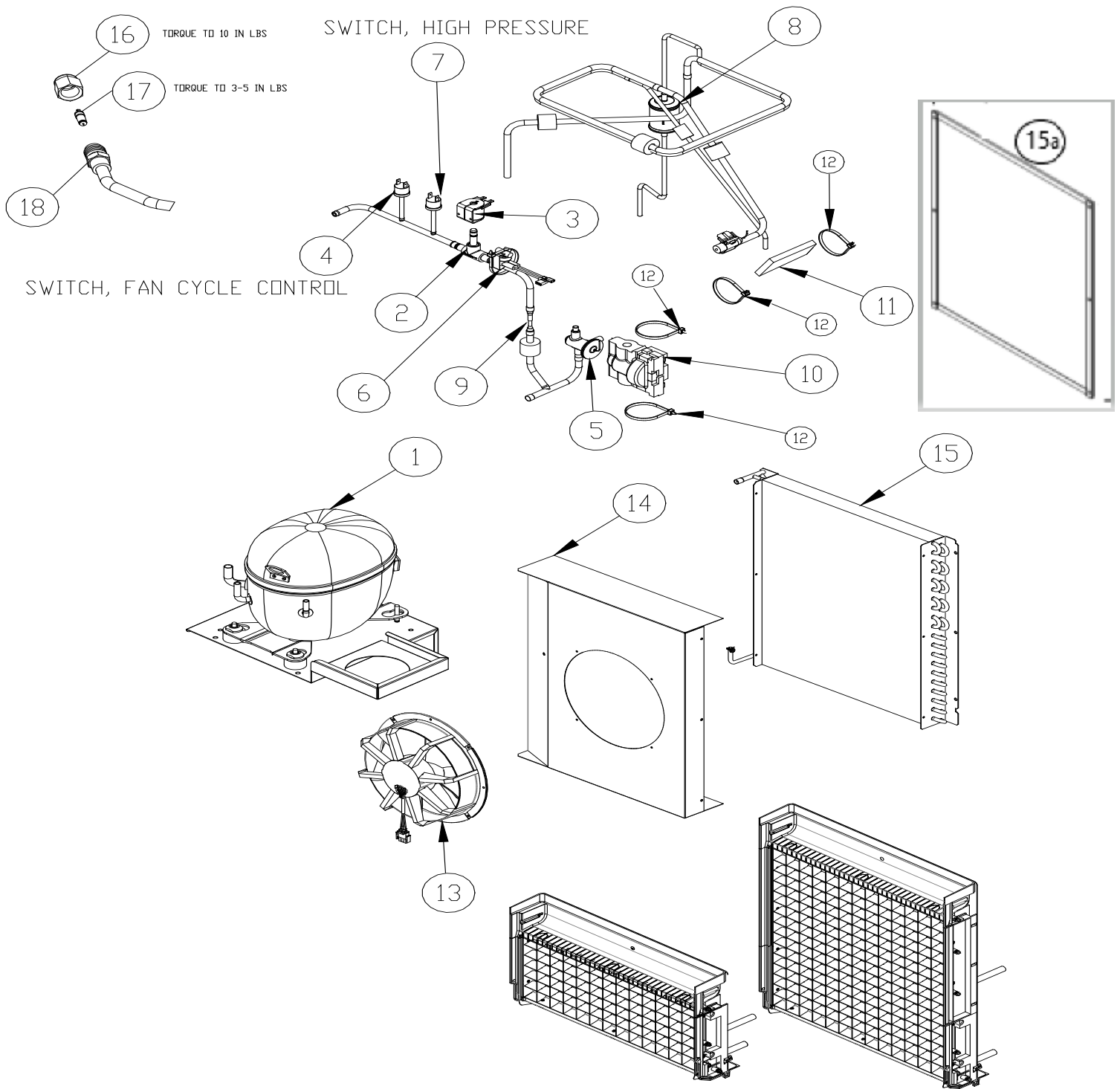
CIM Service Parts

Water System

Important-Check the CIM Model Number and Serial Number when ordering the Lower Curtain

Item No.	Model Number				Description
	CIM0320	CIM0326	CIM0520	CIM0526	
1	9051823-01S	9051823-01S	9051823-01S	9051823-01S	Lower Curtain Assembly From SN 1803
1	1051225-02	1051225-02	1051225-02	1051225-02	Lower Curtain Assembly From SN 1801 to 1802
1	1051225-01	1051225-01	1051225-01	1051225-01	Lower Curtain Assembly From SN 1710 to 1712
2	9051726-01	9051726-01	9051726-02	9051726-02	Evaporator Cover
3	9021010-05	9021010-05	9021010-05	9021010-05	Hose Clamp, Plastic
4	9051766-01	9051766-01	9051766-01	9051766-01	Water Distribution Tube Assembly
5	9051749-01	9051749-01	9051749-02	9051749-02	Water Tube, Upper
6	9091177-01	9091177-01	9091177-01	9091177-01	Coupler, Straight, 5/8 I.D. Tubing
7	9051748-01	9051748-01	9051748-01	9051748-01	Water Tube, Sump
8	9051737-01	9051737-01	9051737-01	9051737-01	Sump/Water Trough
9	2062336-01S	2062336-02S	2062336-01S	2062336-02S	Water Pump
10	9041105-04	9041105-05	9041105-04	9041105-05	Purge Valve
11	9051738-01	9051738-01	9051738-01	9051738-01	Top Cover
12	9041108-01	9041108-02	9041108-01	9041108-02	Water Inlet Valve
13	9091140-01	9091140-01	9091140-01	9091140-01	Drain Fitting
14	9021010-04	9021010-04	9021010-04	9021010-04	Hose Clamp, Plastic
15	1051224-01	1051224-01	1051224-01	1051224-01	Float Switch Assembly (Includes Instructions)
16	9051781-31	9051781-31	9051781-31	9051781-31	Purge Valve Tubing to Drain
16a	9051856-01	9051856-01	9051856-01	9051856-01	Purge Valve Tubing to Drain (Rev 5 & Up)
17	9051541-01	9051541-01	9051541-01	9051541-01	Purge Valve Tube to Inlet Outlet Bracket
18	9051739-01	9051739-01	9051739-01	9051739-01	Inlet Outlet Bracket
19/21	1051320-01A	1051320-01A	1051340-01A	1051340-01A	Evaporator-FULL Cube = 7/8 x 7/8 x 7/8
19/21	1051320-02A	1051320-02A	1051340-02A	1051340-02A	Evaporator-HALF Cube = 3/8 x 7/8 x 7/8
20	9051782-36	9051782-36	9051782-36	9051782-36	Water Inlet Valve to Inlet Outlet Bracket Tube
22	9051729-01	9051729-01	9051729-01	9051729-01	Evaporator Support Left Hand
23	9051730-01	9051730-01	9051730-01	9051730-01	Evaporator Support Right Hand
24	9051744-01	9051744-01	9051744-01	9051744-01	Harvest Assist Guide (for unit S/Ns before #2102)
24	9051001-02	9051001-02	9051001-02	9051001-02	Harvest Assist Guide (for unit S/Ns 2102 & above)
25	9051840-01	9051840-01	9051840-01	9051840-01	Poppet Valve (for the Evaporator Sump)
	2021776-01S	2021776-01S	2021776-01S	2021776-01S	Compressor Base (Not Shown)
	115/60/1	208-230/60/1	115/60/1	208-230/60/1	Machine Voltage

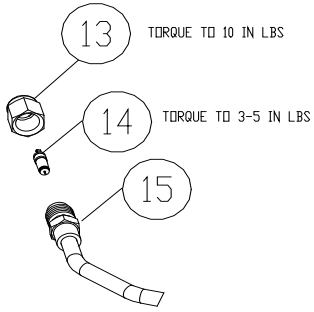
Item No.	Model Number				Description
	CIM0325			CIM0525	
1	9051823-01			9051823-01	Lower Curtain Assembly From SN 1803
1	1051225-02			1051225-02	Lower Curtain Assembly From SN 1801 to 1802
1	1051225-01			1051225-01	Lower Curtain Assembly From SN 1710 to 1712
2	9051726-01			9051726-02	Evaporator Cover
3	9021010-05			9021010-05	Hose Clamp, Plastic
4	9051766-01			9051766-01	Water Distribution Tube Assembly
5	9051749-01			9051749-02	Water Tube, Upper
6	9091177-01			9091177-01	Coupler, Straight, 5/8 I.D. Tubing
7	9051748-01			9051748-01	Water Tube, Sump
8	9051737-01			9051737-01	Sump/Water Trough
9	2062336-03S			2062336-03S	Water Pump Assembly
10	9041105-05			9041105-05	Purge Valve
11	9051738-01			9051738-01	Top Cover
12	9041108-01			9041108-02	Water Inlet Valve
13	9091140-01			9091140-01	Drain Fitting
14	9021010-04			9021010-04	Hose Clamp, Plastic
15	1051224-01			1051224-01	Float Switch Assembly (Includes Instructions)
16	9051781-31			9051781-31	Purge Valve Tubing to Drain
16a	9051856-01			9051856-01	Purge Valve Tubing to Drain (Rev 5 & Up)
17	9051541-01			9051541-01	Purge Valve Tube to Inlet Outlet Bracket
18	9051739-01			9051739-01	Inlet Outlet Bracket
19/21	1051320-01A			1051340-01A	Evaporator-FULL Cube = 7/8 x 7/8 x 7/8
19/21	1051320-02A			1051340-02A	Evaporator-HALF Cube = 3/8 x 7/8 x 7/8
20	9051782-36			9051782-36	Water Inlet Valve to Inlet Outlet Bracket Tube
22	9051729-01			9051729-01	Evaporator Support Left Hand
23	9051730-01			9051730-01	Evaporator Support Right Hand
24	9051744-01			9051744-01	Harvest Assist Guide (for unit S/Ns before #2102)
24	9051744-01			9051744-01	Harvest Assist Guide (for unit S/Ns 2102 & above)
25	9051840-01			9051840-01	Poppet Valve (for the Evaporator Sump)
	2021776-01S			2021776-01S	Compressor Base (Not Shown)
	220/50/1			220/50/1	Machine Voltage



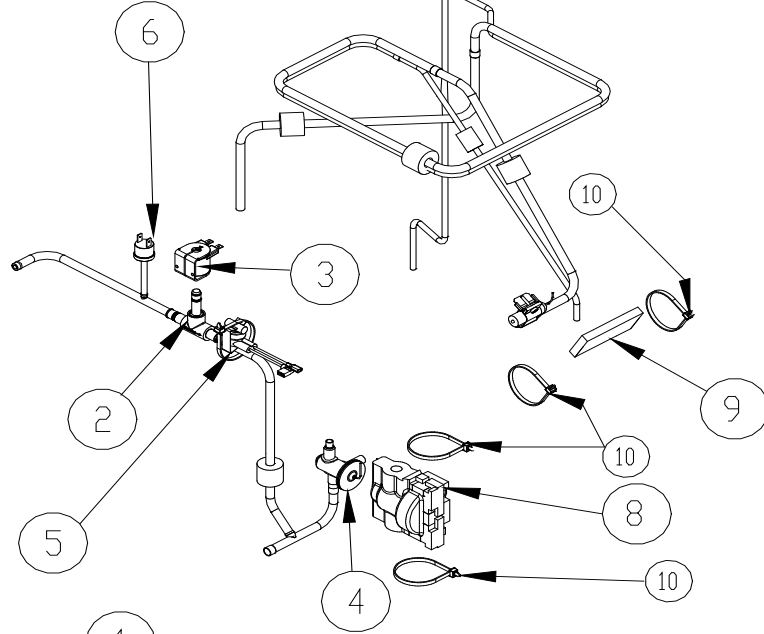
REFERENCE PAGE 4 AND 5 FOR EVAPORATOR

Item No.	Model Number				Description	
	CIM0320A	CIM0326A		CIM0520A		CIM0526A
1	9181163-101	9181164-101		9181137-11B	9181138-11	Compressor Kit
2	9151192-03	9151192-03		9151192-01	9151192-01	Hot Gas Valve Body
3	9151193-01	9151193-02		9151193-01	9151193-02	Hot Gas Valve Coil
4	9041106-01	9041106-01		9041106-01	9041106-01	Switch, Fan Cycle
5	9151154-101	9151149-101		9151149-101	9151149-101	TXV
6	9041098-02	9041098-02		9041098-02	9041098-02	High Temp Switch
7	9041111-01	9041111-01		9041111-01	9041111-01	Switch, High Pressure
8	9151163-01	9151163-01		9151163-01	9151163-01	Drier (Included in Compressor Kit)
9	9091179-01	9091179-01		9091179-01	Not Used	Restrictor
10	9131544-01	9131544-01		9131544-01	9131544-01	Insulation, TXV
11	9131143-07	9131143-07		9131143-07	9131143-07	Insulation, Bulb
12	9021021-01	9021021-01		9021021-01	9021021-01	Cable Tie-For TXV and Bulb Insulation
13	9161135-01	9161135-02		9161135-01	9161135-02	Fan Motor Assembly
14	3013639-01	3013639-01		3013639-01	3013639-01	Fan Shroud
15	9141152-01	9141152-01		9141152-01	9141152-01	Condenser
15a	9131574-01	9131574-01		9131574-01	9131574-01	Air Filter
16	9091086-03	9091086-03		9091086-03	9091086-03	Service Valve Cap
17	9091086-02	9091086-02		9091086-02	9091086-02	Service Valve Core
18	9091086-01	9091086-01		9091086-01	9091086-01	Service Valve Stem
	115/60/1	208-230/60/1		115/60/1	208-230/60/1	Machine Voltage
	CIM0330A	CIM0326A		CIM0520A	CIM0526A	Starting Components (Included in Comp Kit)
	9181163-101	9181164-101		9181137-11B	9181138-11	Compressor Kit
	9181003-50	9181003-26		9181003-50	9181003-32	Start Capacitor
	9181009-25	9181009-08		9181009-25	9181009-26	Run Capacitor
	9181010-33	9181010-27		9181010-14	9101010-32	Compressor Relay
	9181005-49	9181005-50		9181005-45	9181005-46	Overload

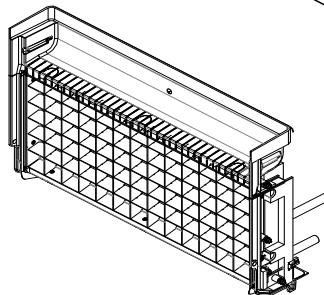
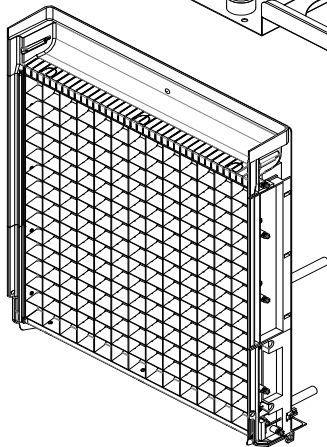
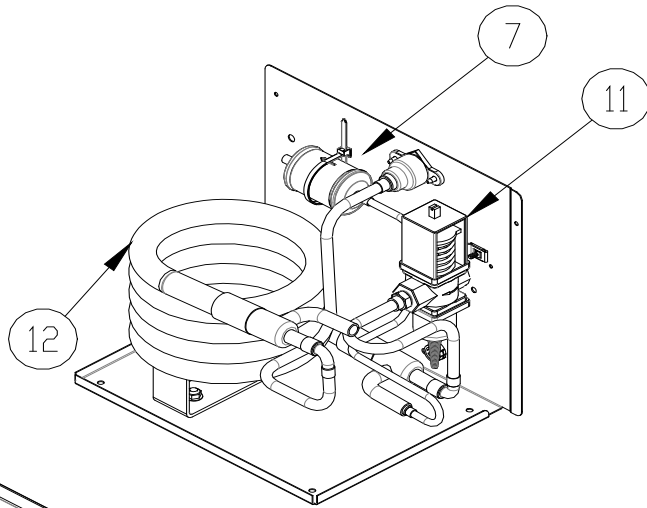
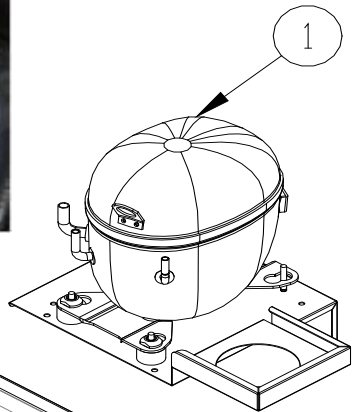
Item No.	Model Number				Description
	CIM0325A			CIM0525A	
1	9181165-101			9181166-11	Compressor Kit
2	9151192-03			9151192-01	Hot Gas Valve Body
3	9151193-02			9151193-02	Hot Gas Valve Coil
4	9041106-01			9041106-01	Switch, Fan Cycle
5	9151154-101			9151149-101	TXV
5	9151205-01			9151205-01	TXV - R449A UNITS
6	9041098-02			9041098-02	High Temp Switch
7	9041111-01			9041111-01	Switch, High Pressure
8	9151163-01			9151163-01	Drier (Included in Compressor Kit)
9	9091179-01			9091179-01	Restrictor
10	9131544-01			9131544-01	Insulation, TXV
11	9131143-07			9131143-07	Insulation, Bulb
12	9021021-01			9021021-01	Cable Tie-For TXV and Bulb Insulation
13	9161135-02			9161135-02	Fan Motor Assembly
14	3013639-01			3013639-01	Fan Shroud
15	9141152-01			9141152-01	Condenser
15a	9131574-01			9131574-01	Air Filter
16	9091086-03			9091086-03	Service Valve Cap
17	9091086-02			9091086-02	Service Valve Core
18	9091086-01			9091086-01	Service Valve Stem
	220/50/1			220/50/1	Machine Voltage
	CIM0325A			CIM0525A	Starting Components (Included in Comp Kit)
	9181165-101			9181166-11	Compressor Kit
	9181003-54			9181003-32	Start Capacitor
	9181009-26			9181009-28	Run Capacitor
	9181010-27			9181010-34	Compressor Relay
	9181005-50			9181005-51	Overload



SWITCH, HIGH PRESSURE



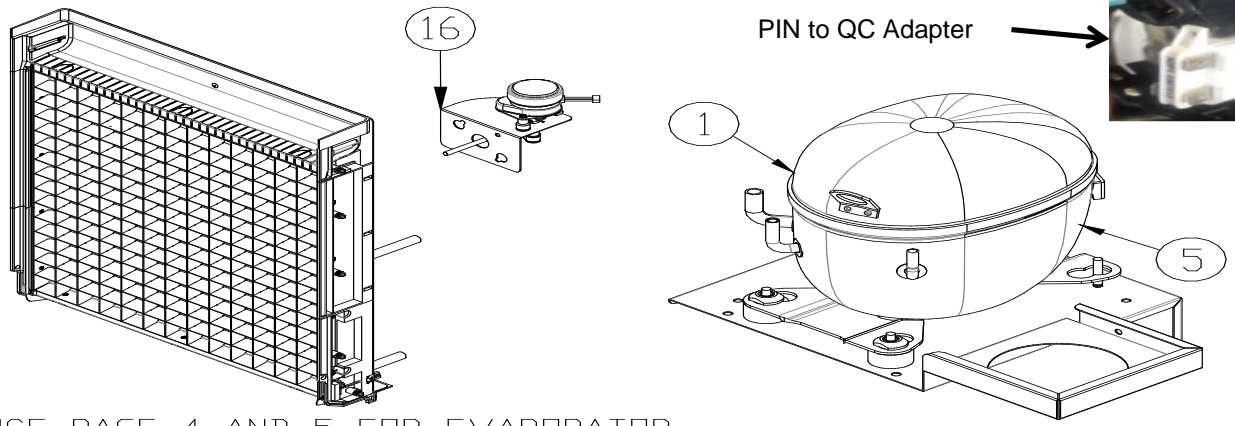
PIN to QC Adapter



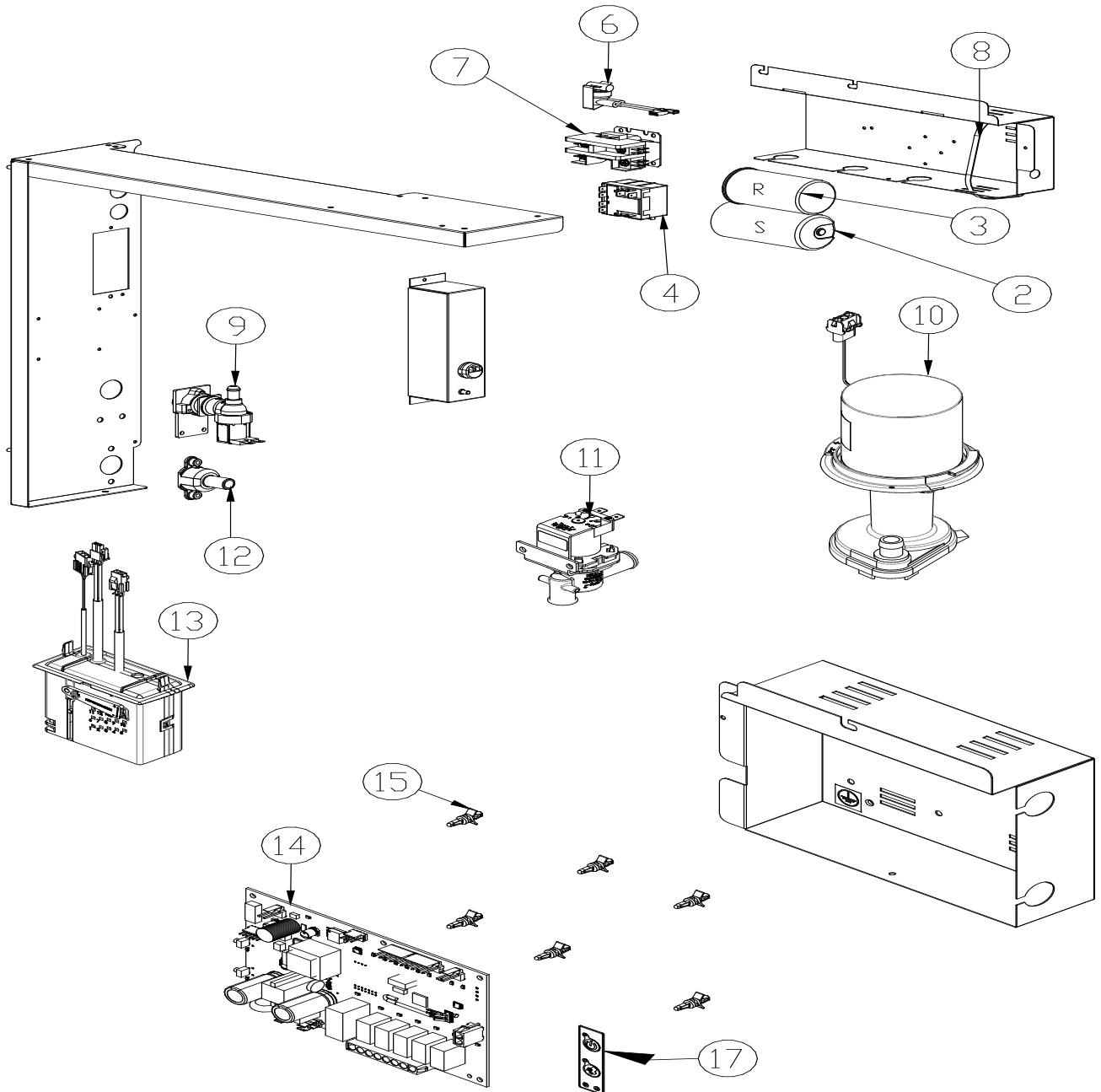
REFERENCE PAGE 4 AND 5 FOR EVAPORATOR

Item No.	Model Number			Description
	CIM0320W		CIM0520W	
1	9181163-101		9181137-11C	Compressor Kit
2	9151192-03		9151192-03	Hot Gas Valve Body
3	9151193-01		9151193-01	Hot Gas Valve Coil
4	9151154-101		9151149-101	TXV
5	9041098-02		9041098-02	High Temp Switch
6	9041111-01		9041111-01	Switch, High Pressure
7	9151163-01		9151163-01	Drier (Included in Compressor Kit)
8	9131544-01		9131544-01	Insulation, TXV
9	9131143-07		9131143-07	Insulation, Bulb
10	9021021-01		9021021-01	Cable Tie-For TXV and Bulb Insulation
11	9051104-01		9051104-01	Water Regulator
12	9141156-01		9141156-01	Condenser
13	9091086-03		9091086-03	Service Valve Cap
14	9091086-02		9091086-02	Service Valve Core
15	9091086-01		9091086-01	Service Valve Stem
	115/60/1		115/60/1	← Machine Voltage
	CIM0320A		CIM0520A	Starting Components (Included in Comp Kit)
	9181163-101		9181137-11B	Compressor Kit
	9181003-50		9181003-50	Start Capacitor
	9181009-25		9181009-25	Run Capacitor
	9181010-33		9181010-14	Compressor Relay
	9181005-49		9181005-45	Overload
	9181195-01			PIN to QC Adapter

Item No.	Model Number			Description
	CIM0325		CIM0535W	
1	9181165-11		9181166-11	Compressor Kit
2	9151192-03		9151192-03	Hot Gas Valve Body
3	9151193-02		9151193-02	Hot Gas Valve Coil
4	9151154-101		9151149-101	TXV
5	9041098-02		9041098-02	High Temp Switch
6	9041111-01		9041111-01	Switch, High Pressure
7	9151163-01		9151163-01	Drier (Included in Compressor Kit)
8	9131544-01		9131544-01	Insulation, TXV
9	9131143-07		9131143-07	Insulation, Bulb
10	9021021-01		9021021-01	Cable Tie-For TXV and Bulb Insulation
11	9051104-01		9051104-01	Water Regulator
12	9141156-01		9141156-01	Condenser
13	9091086-03		9091086-03	Service Valve Cap
14	9091086-02		9091086-02	Service Valve Core
15	9091086-01		9091086-01	Service Valve Stem
	220/50/1		220/50/1	← Machine Voltage
			CIM0535A	Starting Components (Included in Comp Kit)
	9181165-101		9181166-11	Compressor Kit
	9181003-54		9181003-32	Start Capacitor
	9181009-26		9181009-28	Run Capacitor
	9181010-27		9181010-34	Compressor Relay
	9181005-50		9181005-51	Overload



REFERENCE PAGE 4 AND 5 FOR EVAPORATOR



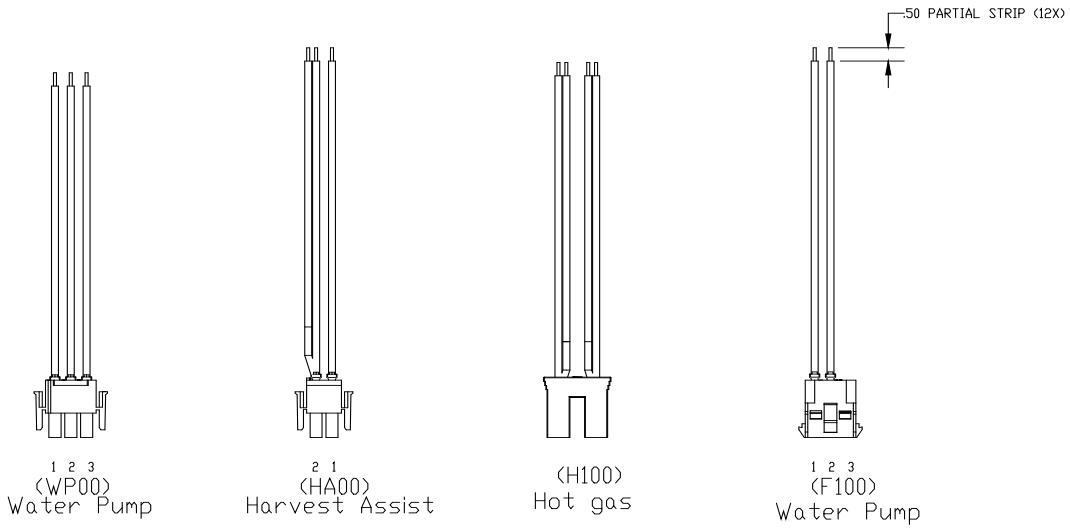
Item No.	Model Number				Description	
	CIM0320A	CIM0326A		CIM0520A		CIM0526A
1	9181163-101	9181164-101		9181137-11C	9181138-11	Compressor
2	9181003-50	9181003-26		9181003-50	9181003-32	Start Capacitor
3	9181009-25	9181009-08		9181009-25	9181009-26	Run Capacitor
4	9181010-33	9181010-27		9181010-14	9101010-32	Potential Relay
5	9181005-49	9181005-50		9181005-45	9181005-46	Overload
	9181195-01					PIN to QC Adapter
6	9041098-02	9041098-02		9041098-02	9041098-02	Switch, High Temp
7	9101002-07	9101002-06		9101002-07	9101002-06	Contactora
8	9021096-01	9021096-01		9021096-01	9021096-01	Cable Tie, Metal
9	9041108-01	9041108-02		9041108-01	9041108-02	Valve, Water Inlet
10	2062336-01	2062336-02		2062336-01	2062336-02	Water Pump
11	9041105-04	9041105-05		9041105-04	9041105-05	Purge Valve
12	9091140-01	9091140-01		9091140-01	9091140-01	Purge Drain
13	1051224-01	1051224-01		1051224-01	1051224-01	Float Switch Assembly (Includes Instructions)
14	9101414-01	9101414-01		9101414-01	9101414-01	Board Dual Voltage
15	9051698-01P	9051698-01P		9051698-01P	9051698-01P	Plastic Standoff, Control Board (Pkg of 10)
16	9161134-01	9161134-02		9161134-01	9161134-02	Harvest Assist
17	9101394-01	9101394-01		9101394-01	9101394-01	Membrane Switch (Includes Cable)
18	9101379-01	9101379-01		9101379-01	9101379-01	Switch, Magnetic Reed (Bin Control On Evap)
	115/60/1	208-230/60/1		115/60/1	208-230/60/1	← Machine Voltage

Item No.	Model Number				Description
	CIM0325A			CIM0525A/W	
1	9181165-101			9181166-11	Compressor Kit
2	9181003-54			9181003-32	Start Capacitor
3	9181009-26			9181009-28	Run Capacitor
4	9181010-27			9181010-34	Compressor Relay
5	9181005-50			9181005-51	Overload
6	9041098-02			9041098-02	Switch, High Temp
7	9101002-06			9101002-06	Contactora
8	9021096-01			9021096-01	Cable Tie, Metal
9	9041108-02			9041108-02	Valve, Water Inlet
10	2062336-03S			2062336-03S	Water Pump
11	9041105-05			9041105-05	Purge Valve
12	9091140-01			9091140-01	Purge Drain
13	1051224-01			1051224-01	Float Switch Assembly (Includes Instructions)
14	9101414-01			9101414-01	Board Dual Voltage
15	9051698-01P			9051698-01P	Plastic Standoff, Control Board (Pkg of 10)
16	9161134-02			9161134-02	Harvest Assist
17	9101394-01			9101394-01	Membrane Switch (Includes Cable)
18	9101379-01			9101379-01	Switch, Magnetic Reed (Bin Control On Evap)
	220/50/1			220/50/1	← Machine Voltage

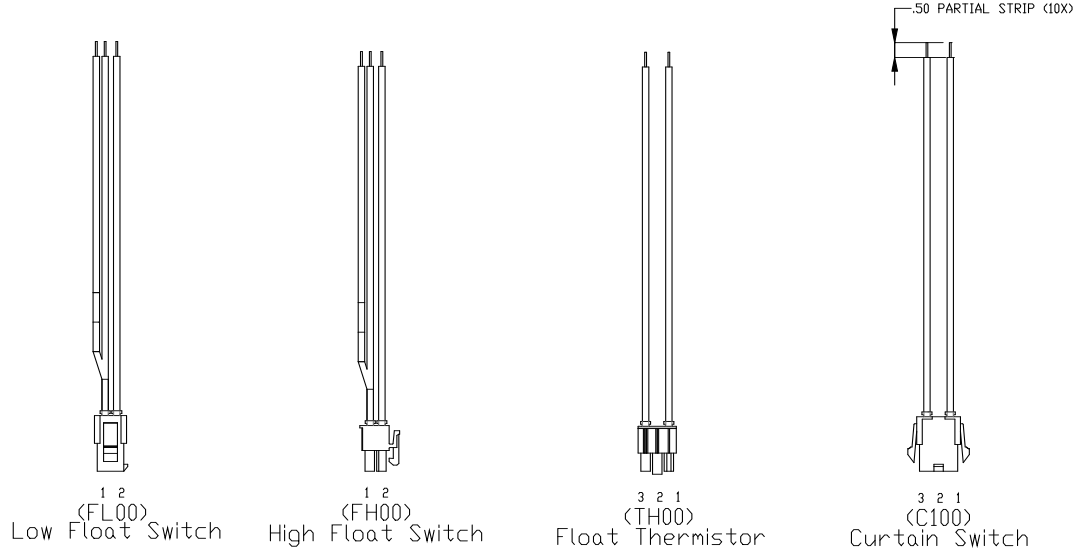
CIM units mounted on a Dispenser require a Bin Thermostat Kit [KCUBEDISP](#) installed. See page 12. Replacement Bin Thermostat is a [9041097-01](#).

Wiring harness service kits are now available to provide a specific connector to be replaced due to a damaged connector or wire.

<u>Kit Part Number</u>	<u>Components Serviced</u>	<u>Voltage</u>
1051237-01	Water Pump, Harvest Assist, Hot Gas Valve, Fan Motor	115 or 230
1051237-02	Low Float Switch, High Float Switch, Thermistor, Curtain Switch	12 Volt D.C.



KIT, WIRING HARNESS, LINE VOLTAGE
1051237-01



KIT, WIRING HARNESS, SIGNAL VOLTAGE
1051237-02

Item	Part Number	Description
1	2021787-02S	Deflector
2	9101423-01	Wire Assembly
3	3013572-01	Bin Stat Tube Bracket
4	3033768-01	Bin Stat Tube
5	6021018-03	Tubing PVC Insulation (For Bin Stat Cap Tube)
6	9041097-01	Bin Thermostat
7	9101395-01	Wiring Harness, Bin Stat (CIM Units)

