

Ice-O-Matic

Ice. Pure and Simple™

**SERVICE PARTS MANUAL
ELEVATION SERIES CIM CUBER
CIM0330, CIM0430, CIM0436, CIM0530 and CIM0636
CIM0335, CIM0435, CIM0535 and CIM0635**



This parts list contains the Service Parts available for the following CIM Series.

CIM0330	115/60/1	CIM0335	220-240/50/1
CIM0430	115/60/1		
CIM0436	208-230/60/1	CIM0435	220-240/50/1
CIM0530	115/60/1	CIM0535	220-240/50/1
CIM0636	208-230/60/1	CIM0635	220-240/50/1

Model Number Example

CIM0330HA

CIM = Cuber Ice Machine

03 = 300 lb, in 24 hours capacity

3 = 30 inch wide cabinet

0 = 115 Volt, 5 = 220-240/50/1 6 = 208-230/60/1 Volt

H = Half Cube Size, F = Full Cube Size

A = Air Cooled Condenser, W = Water Cooled Condenser R=Remote Condenser

Check the model number on the data plate and refer to the correct listing for the specific component.

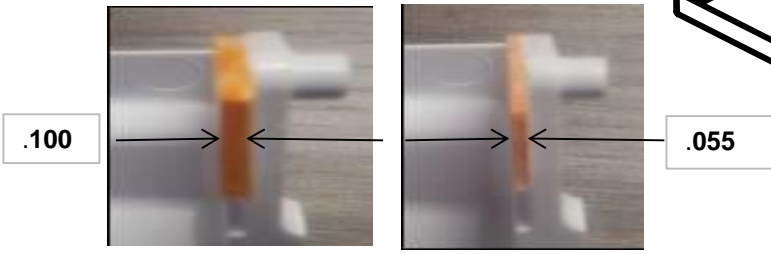
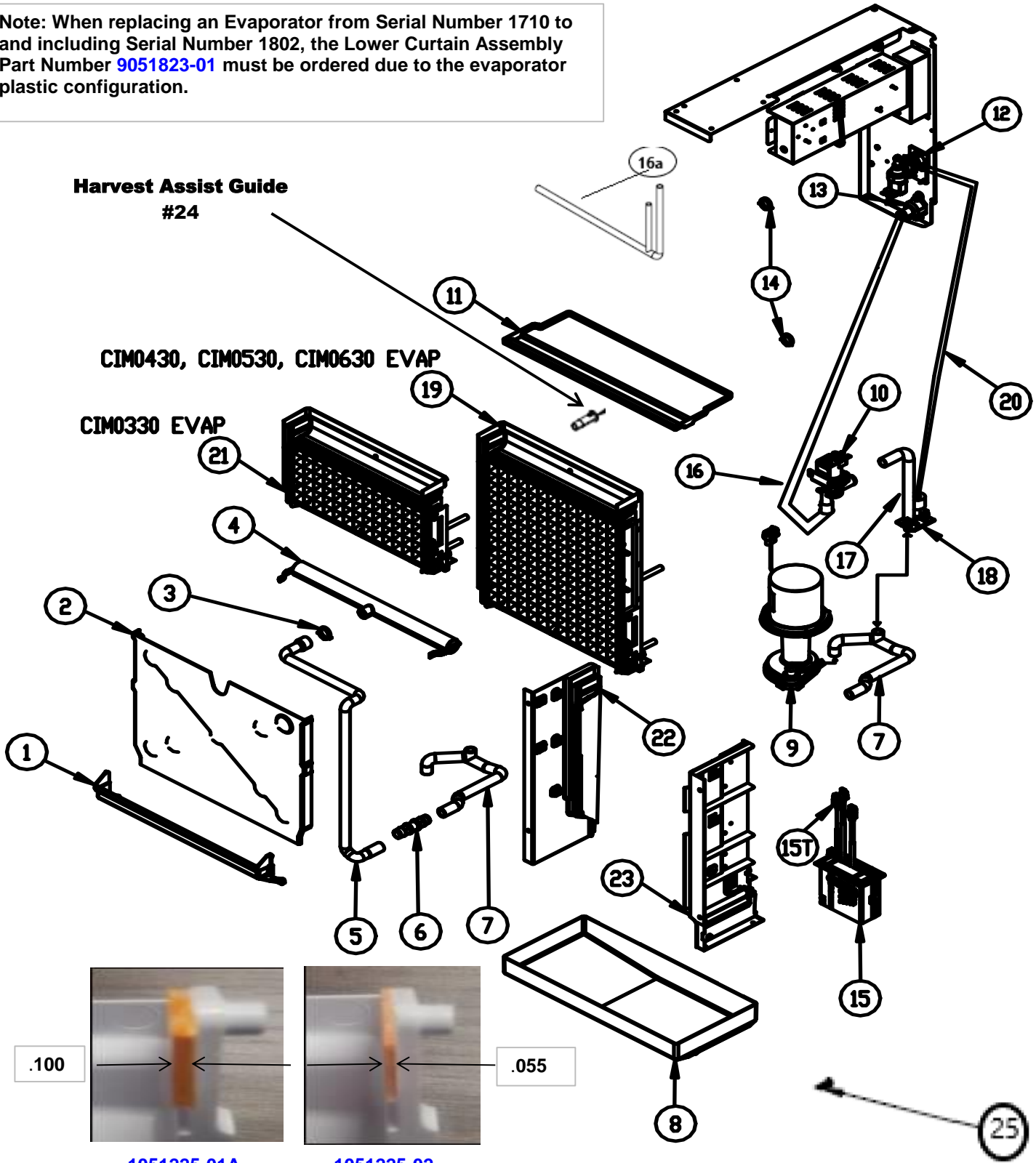
Check carefully that the correct part is identified and ordered.

Table of Contents	Page 1
Cabinet	Page 2-3
Water System	Page 4-5
Air Cooled Condenser	Page 6-7
Water Cooled Condenser	Page 8-9
Remote Condenser	Page 10-11
Electrical	Page 12-13
KCUBEDISP	Page 14
REMOTE CONDENSERS	Page 15-16

Item No.	Model Number					Description
	CIM0330	CIM0430	CIM0436	CIM0530	CIM0636	
1	2031540-01S	2031540-01S	2031540-01S	2031540-01S	2031540-01S	Front Panel
2	9031237-01	9031237-01	9031237-01	9031237-01	9031237-01	Front Panel Screws
3	3022007-02	3022007-02	3022007-02	3022007-02	3022007-02	Left Side Side Panel
4	3022012-08	3022012-08	3022012-08	3022012-08	3022012-08	Top Panel-Air Cooled
5	3022012-03	3022012-03	3022012-03	3022012-03	3022012-03	Top Panel-Remote and Water Cooled
6	9031046-01	9031046-01	9031046-01	9031046-01	9031046-01	Rear Cover Screws
7	3013634-01	3013634-01	3013634-01	3013634-01	3013634-01	Rear Cover
8	3022007-03	3022007-03	3022007-03	3022007-03	3022007-03	Right Side Panel-Remote and Water Cooled
9	3022007-08	3022007-08	3022007-08	3022007-08	3022007-08	Right Side Panel-Air Cooled
10	3013674-01	3013674-01	3013674-01	3013674-01	3013674-01	Junction Box Cover
11	9031046-01	9031046-01	9031046-01	9031046-01	9031046-01	Junction Box Screw
12	2021786-01	2021786-01	2021786-01	2021786-01	2021786-01	Left Front Corner Post
13	2021786-02	2021786-02	2021786-02	2021786-02	2021786-02	Right Front Corner post
14	3013637-02	3013637-02	3013637-02	3013637-02	3013637-02	Brace 30 Inch
15	3013636-01	3013636-01	3013636-01	3013636-01	3013636-01	Rear Brace
16	9051725-02	9051725-02	9051725-02	9051725-02	9051725-02	Base
17	2021784-01	2021784-01	2021784-01	2021784-01	2021784-01	Front Left Brace
18	2021785-01	2021785-01	2021785-01	2021785-01	2021785-01	Front Right Brace
19	2021780-01	2021780-01	2021780-01	2021780-01	2021780-01	Right Side Framework 30"Assembly
20	2021781-01	2021781-01	2021781-01	2021781-01	2021781-01	Left Side Framework 30"Assembly
21	9011369-02	9011369-02	9011369-02	9011369-02	9011369-02	Elevation Skid 30 Inch
22	9011378-01	9011378-01	9011378-01	9011378-01	9011378-01	Carton Liner 30 Inch
23	9051765-01	9051765-01	9051765-01	9051765-01	9051765-01	Shipping Bracket 2 Req. (Field Installed)
24	9011374-02	9011374-02	9011374-02	9011374-02	9011374-02	Carton, Elevation 30 Inch
25	9011320-15	9011320-15	9011320-15	9011320-15	9011320-15	Corner Post (Each), Elevation, (4 Required)
	9031026-04P	9031026-04P	9031026-04P	9031026-04P	9031026-04P	Pop Rivets Not Shown (Package of 10)

Item No.	Model Number					Description
	CIM0335		CIM0435	CIM0535	CIM0635	
1	2031540-01S		2031540-01S	2031540-01S	2031540-01S	Front Panel
2	9031237-01		9031237-01	9031237-01	9031237-01	Front Panel Screws
3	3022007-02		3022007-02	3022007-02	3022007-02	Left Side Side Panel
4	3022012-08		3022012-08	3022012-08	3022012-08	Top Panel-Air Cooled
5	Not Used		Not Used	3022012-03	3022012-03	Top Panel-Remote and Water Cooled
6	9031046-01		9031046-01	9031046-01	9031046-01	Rear Cover Screws
7	3013634-01		3013634-01	3013634-01	3013634-01	Rear Cover
8	Not Used		Not Used	3022007-03	3022007-03	Right Side Panel-Remote and Water Cooled
9	3022007-08		3022007-08	3022007-08	3022007-08	Right Side Panel-Air Cooled
10	3013674-01		3013674-01	3013674-01	3013674-01	Junction Box Cover
11	9031046-01		9031046-01	9031046-01	9031046-01	Junction Box Screw
12	2021786-01		2021786-01	2021786-01	2021786-01	Left Front Corner Post
13	2021786-02		2021786-02	2021786-02	2021786-02	Right Front Corner post
14	3013637-02		3013637-02	3013637-02	3013637-02	Brace 30 Inch
15	3013636-01		3013636-01	3013636-01	3013636-01	Rear Brace
16	9051725-02		9051725-02	9051725-02	9051725-02	Base
17	2021784-01		2021784-01	2021784-01	2021784-01	Front Left Brace
18	2021785-01		2021785-01	2021785-01	2021785-01	Front Right Brace
19	2021780-01		2021780-01	2021780-01	2021780-01	Right Side Framework 30"Assembly
20	2021781-01		2021781-01	2021781-01	2021781-01	Left Side Framework 30"Assembly
21	9011369-02		9011369-02	9011369-02	9011369-02	Elevation Skid 30 Inch
22	9011378-01		9011378-01	9011378-01	9011378-01	Carton Liner 30 Inch
23	9051765-01		9051765-01	9051765-01	9051765-01	Shipping Bracket 2 Req. (Field Installed)
24	9011374-02		9011374-02	9011374-02	9011374-02	Carton, Elevation 30 Inch
25	9011320-15		9011320-15	9011320-15	9011320-15	Corner Post (Each), Elevation, (4 Required)
	9031026-04P		9031026-04P	9031026-04P	9031026-04P	Pop Rivets Not Shown (Package of 10)

Note: When replacing an Evaporator from Serial Number 1710 to and including Serial Number 1802, the Lower Curtain Assembly Part Number 9051823-01 must be ordered due to the evaporator plastic configuration.



1051225-01A

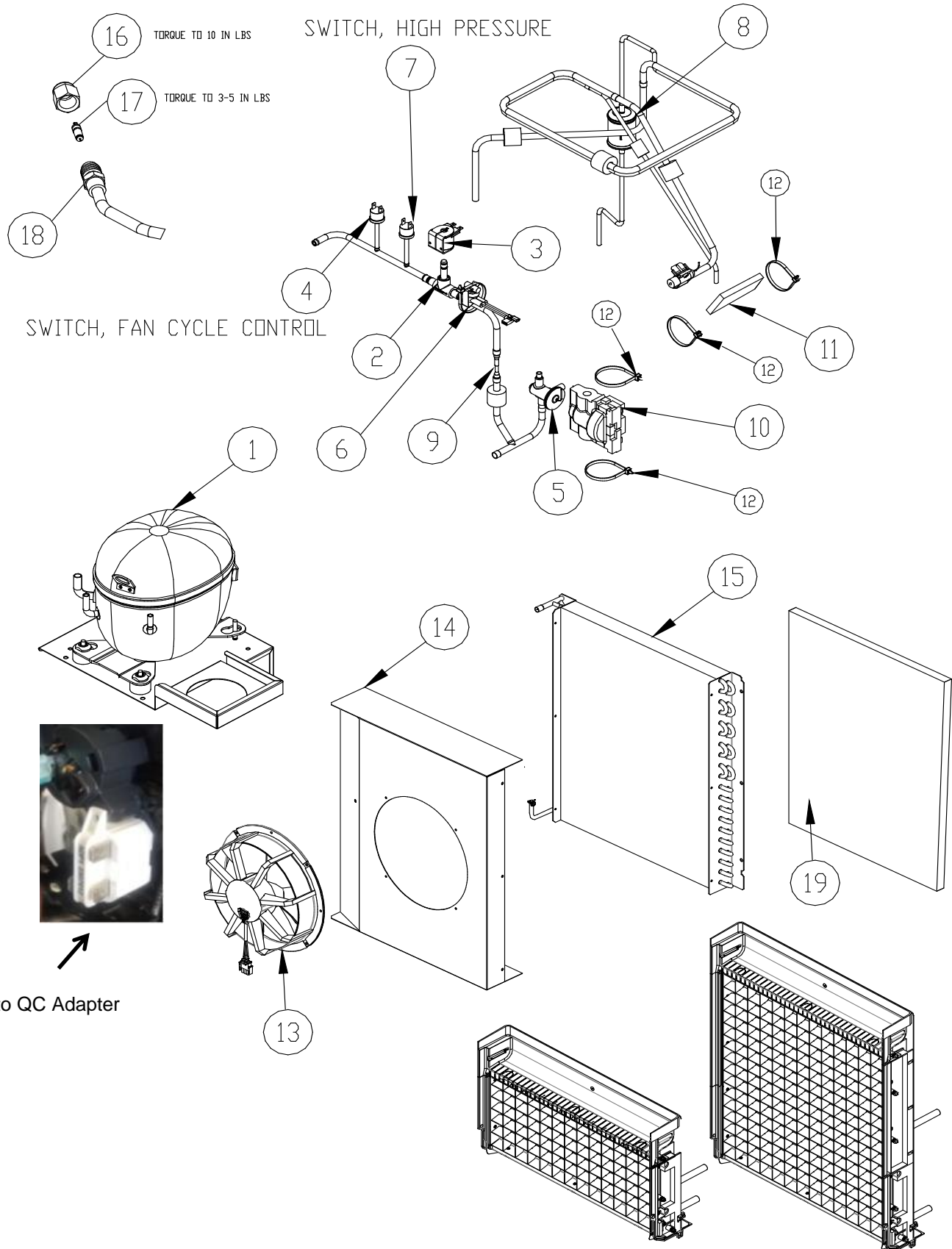
1051225-02

Lower Curtain Dimensions

Important-Check the CIM Model Number and Serial Number when ordering the Lower Curtain

Item No.	Model Number					Description
	CIM0330	CIM0430	CIM0436	CIM0530	CIM0636	
1	9051823-01S	9051823-01S	9051823-01S	9051823-01S	9051823-01S	Lower Curtain Assembly From SN 1803
	1051225-02	1051225-02	1051225-02	1051225-02	1051225-02	Lower Curtain Assembly From SN 1801 to 1802
	1051225-01	1051225-01	1051225-01	1051225-01	1051225-01	Lower Curtain Assembly From SN 1710 to1712
2	9051726-01	9051726-02	9051726-02	9051726-02	9051726-02	Evaporator Cover
3	9021010-05	9021010-05	9021010-05	9021010-05	9021010-05	Hose Clamp, Plastic
4	9051766-01	9051766-01	9051766-01	9051766-01	9051766-01	Water Distribution Tube Assembly
5	9051749-01	9051749-02	9051749-02	9051749-02	9051749-02	Water Tube, Upper
6	9091177-01	9091177-01	9091177-01	9091177-01	9091177-01	Coupler, Straight, 5/8 I.D. Tubing
7	9051748-01	9051748-01	9051748-01	9051748-01	9051748-01	Water Tube, Sump
8	9051737-01	9051737-01	9051737-01	9051737-01	9051737-01	Sump/Water Trough
9	2062336-01S	2062336-01S	2062336-02S	2062336-01S	2062336-02S	Water Pump
10	9041105-04	9041105-04	9041105-05	9041105-04	9041105-05	Purge Valve
11	9051738-01	9051738-01	9051738-01	9051738-01	9051738-01	Top Cover
12	9041108-01	9041108-01	9041108-02	9041108-01	9041108-02	Water Inlet Valve
13	9091140-01	9091140-01	9091140-01	9091140-01	9091140-01	Drain Fitting
14	9021010-04	9021010-04	9021010-04	9021010-04	9021010-04	Hose Clamp, Plastic
15	1051224-01	1051224-01	1051224-01	1051224-01	1051224-01	Float Switch Assembly (Includes Instructions)
16	9051781-31	9051781-31	9051781-31	9051781-31	9051781-31	Purge Valve Tubing to Drain
16a	9051856-01	9051856-01	9051856-01	9051856-01	9051856-01	Purge Valve Tubing to Drain (Rev 5 & Up)
17	9051541-01	9051541-01	9051541-01	9051541-01	9051541-01	Purge Valve Tube to Inlet Outlet Bracket
18	9051739-01	9051739-01	9051739-01	9051739-01	9051739-01	Inlet Outlet Bracket
19/21	1051320-01A	1051340-01A	1051340-01A	1051340-01A	1051340-01A	Evaporator-FULL Cube = 7/8 x 7/8 x 7/8
19/21	1051320-02A	1051340-02A	1051340-02A	1051340-02A	1051340-02A	Evaporator-HALF Cube = 3/8 x 7/8 x 7/8
20	9051782-36	9051782-36	9051782-36	9051782-36	9051782-36	Water Inlet Valve to Inlet Outlet Bracket Tube
22	9051729-01	9051729-01	9051729-01	9051729-01	9051729-01	Evaporator Support Left Hand Side
23	9051730-01	9051730-01	9051730-01	9051730-01	9051730-01	Evaporator Support Right Hand Side
24	9051744-01	9051744-01	9051744-01	9051744-01	9051744-01	Harvest Assist Guide (for unit S/Ns before #2102)
24	9051001-02	9051001-02	9051001-02	9051001-02	9051001-02	Harvest Assist Guide (for unit S/Ns 2102 & above)
25	9051840-01	9051840-01	9051840-01	9051840-01	9051840-01	Poppet Valve (for the Evaporator Sump)
	2021776-01S	2021776-01S	2021776-01S	2021776-01S	2021776-01S	Compressor Base (Not Shown)
	115/60/1	115/60/1	208-230/60/1	115/60/1	208-230/60/1	← Machine Voltage

Item No.	Model Number					Description
	CIM0335		CIM0435	CIM0535	CIM0635	
1	9051823-01S		9051823-01S	9051823-01S	9051823-01S	Lower Curtain Assembly From SN 1803
	1051225-02		1051225-02	1051225-02	1051225-02	Lower Curtain Assembly From SN 1801 to 1802
	1051225-01		1051225-01	1051225-01	1051225-01	Lower Curtain Assembly From SN 1710 to1712
2	9051726-01		9051726-02	9051726-02	9051726-02	Evaporator Cover
3	9021010-05		9021010-05	9021010-05	9021010-05	Hose Clamp, Plastic
4	9051766-01		9051766-01	9051766-01	9051766-01	Water Distribution Tube Assembly
5	9051749-01		9051749-02	9051749-02	9051749-02	Water Tube, Upper
6	9091177-01		9091177-01	9091177-01	9091177-01	Coupler, Straight, 5/8 I.D. Tubing
7	9051748-01		9051748-01	9051748-01	9051748-01	Water Tube, Sump
8	9051737-01		9051737-01	9051737-01	9051737-01	Sump/Water Trough
9	2062336-03S		2062336-03S	2062336-03S	2062336-03S	Water Pump, Includes Brackets
10	9041105-05		9041105-05	9041105-05	9041105-05	Purge Valve
11	9051738-01		9051738-01	9051738-01	9051738-01	Top Cover
12	9041108-01		9041108-02	9041108-01	9041108-02	Water Inlet Valve
13	9091140-01		9091140-01	9091140-01	9091140-01	Drain Fitting
14	9021010-04		9021010-04	9021010-04	9021010-04	Hose Clamp, Plastic
15	1051224-01		1051224-01	1051224-01	1051224-01	Float Switch Assembly (Includes Instructions)
16	9051781-31		9051781-31	9051781-31	9051781-31	Purge Valve Tubing to Drain
16a	9051856-01		9051856-01	9051856-01	9051856-01	Purge Valve Tubing to Drain (Rev 5 & Up)
17	9051541-01		9051541-01	9051541-01	9051541-01	Purge Valve Tube to Inlet Outlet Bracket
18	9051739-01		9051739-01	9051739-01	9051739-01	Inlet Outlet Bracket
19/21	1051320-01A		1051340-01A	1051340-01A	1051340-01A	Evaporator-FULL Cube = 7/8 x 7/8 x 7/8
19/21	1051320-02A		1051340-02A	1051340-02A	1051340-02A	Evaporator-HALF Cube = 3/8 x 7/8 x 7/8
20	9051782-36		9051782-36	9051782-36	9051782-36	Water Inlet Valve to Inlet Outlet Bracket Tube
22	9051729-01		9051729-01	9051729-01	9051729-01	Evaporator Support Left Hand Side
23	9051730-01		9051730-01	9051730-01	9051730-01	Evaporator Support Right Hand Side
24	9051744-01		9051744-01	9051744-01	9051744-01	Harvest Assist Guide (for unit S/Ns before #2102)
24	9051001-02		9051001-02	9051001-02	9051001-02	Harvest Assist Guide (for unit S/Ns 2102 & above)
25	9051840-01		9051840-01	9051840-01	9051840-01	Poppet Valve (for the Evaporator Sump)
	2021776-01S		2021776-01S	2021776-01S	2021776-01S	Compressor Base (Not Shown)
	220-240/50/1		220-240/50/1	220-240/50/1	220-240/50/1	← Machine Voltage

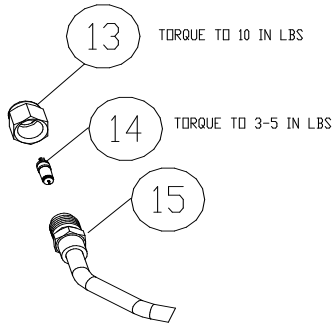


CIM Service Parts

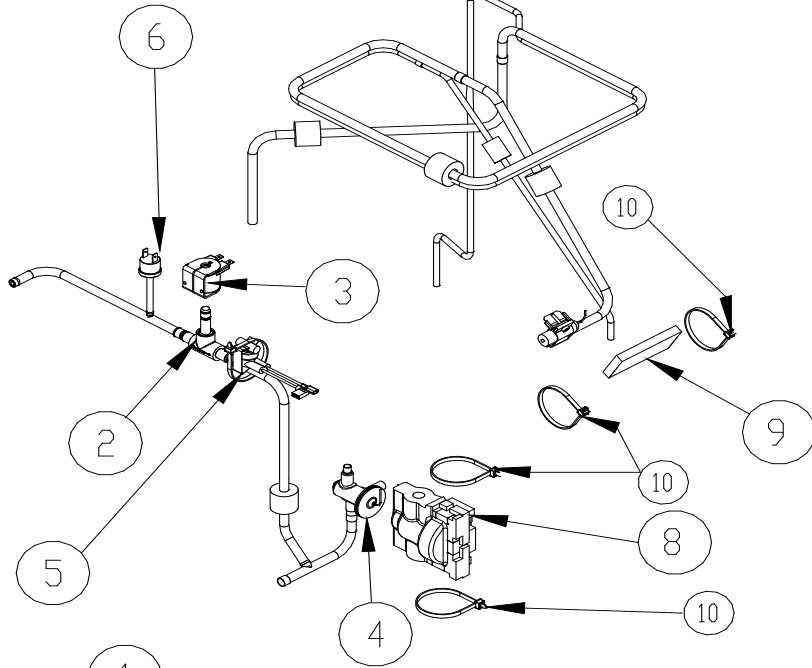
Air Cooled

Item No.	Model Number					Description
	CIM0330A	CIM0430A	CIM0436A	CIM0530A	CIM0636A	
1	9181163-101	9181163-101	9181164-101	9181137-11C	9181145-11A	Compressor Kit
2	9151192-03	9151192-03	9151192-03	9151192-01	9151192-01	Hot Gas Valve Body
3	9151193-01	9151193-01	9151193-02	9151193-01	9151193-02	Hot Gas Valve Coil
4	9041106-01	9041106-01	9041106-01	9041106-01	9041106-01	Switch, Fan Cycle
5	9151154-101	9151149-101	9151149-101	9151149-101	9151149-101	TXV
6	9041098-02	9041098-02	9041098-02	9041098-02	9041098-02	High Temp Switch
7	9041111-01	9041111-01	9041111-01	9041111-01	9041111-01	Switch, High Pressure
8	9151163-01	9151163-01	9151163-01	9151163-01	9151163-01	Drier (Included in Compressor Kit)
9	9091179-01	9091179-01	9091179-01	9091179-01	Not Used	Restrictor
10	9131544-01	9131544-01	9131544-01	9131544-01	9131544-01	Insulation, TXV
11	9131143-07	9131143-07	9131143-07	9131143-07	9131143-07	Insulation, Bulb
12	9021021-01	9021021-01	9021021-01	9021021-01	9021021-01	Cable Tie-For TXV and Bulb Insulation
13	9161135-01	9161135-01	9161135-02	9161135-01	9161135-02	Fan Motor Assembly
14	3013639-01	3013639-01	3013639-01	3013639-01	3013639-01	Fan Shroud
15	9141152-01	9141152-01	9141152-01	9141152-01	9141152-01	Condenser
16	9091086-03	9091086-03	9091086-03	9091086-03	9091086-03	Service Valve Cap
17	9091086-02	9091086-02	9091086-02	9091086-02	9091086-02	Service Valve Core
18	9091086-01	9091086-01	9091086-01	9091086-01	9091086-01	Service Valve Stem
19	9131574-01	9131574-01	9131574-01	9131574-01	9131574-01	Air Filter
	115/60/1	115/60/1	208-230/60/1	115/60/1	208-230/60/1	← Machine Voltage
	CIM0330A	CIM0430A	CIM0436A	CIM0530A	CIM0636A	Starting Components (Included in Comp Kit)
	9181163-101	9181163-101	9181164-101	9181137-11B	9181145-11A	Compressor Kit
	9181003-50	9181003-50	9181003-26	9181003-50	9181003-52	Start Capacitor
	9181009-25	9181009-25	9181009-08	9181009-25	9181009-19	Run Capacitor
	9181010-33	9181010-33	9181010-27	9181010-14	9181010-27	Compressor Relay
	9181005-49	9181005-49	9181005-50	9181005-45	Internal	Overload
	9181195-01	9181195-01				Pin to QC Adapter

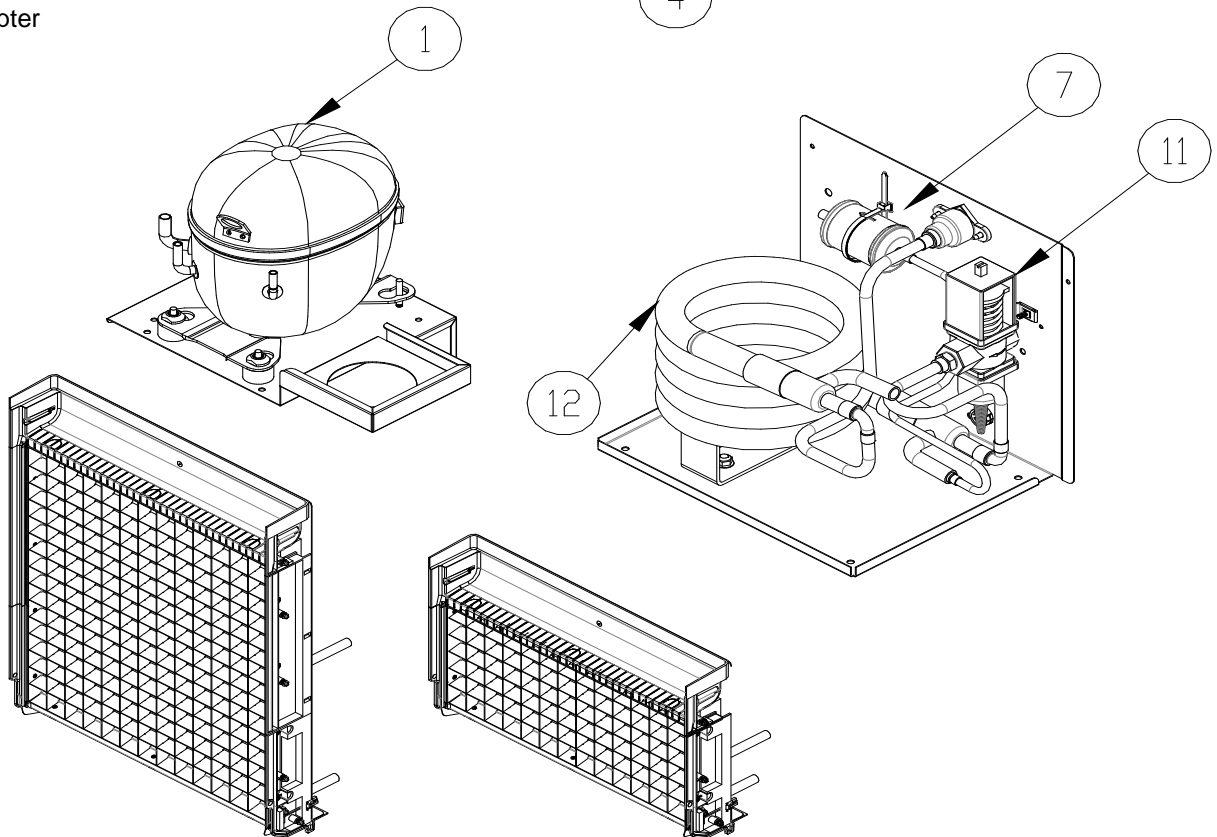
Item No.	Model Number					Description
	CIM0335A		CIM0435A	CIM0535A	CIM0635A	
1	9181165-101		9181138-11A	9181166-11	9181147-11	Compressor Kit
2	9151192-03		9151192-03	9151192-01	9151192-01	Hot Gas Valve Body
3	9151193-02		9151193-02	9151193-02	9151193-02	Hot Gas Valve Coil
4	9041106-01		9041106-01	9041106-01	9041106-01	Switch, Fan Cycle
5	9151154-101		9151149-101	9151149-101	9151149-101	TXV
6	9041098-02		9041098-02	9041098-02	9041098-02	High Temp Switch
7	9041111-01		9041111-01	9041111-01	9041111-01	Switch, High Pressure
8	9151163-01		9151163-01	9151163-01	9151163-01	Drier (Included in Compressor Kit)
9	9091179-01		9091179-01	9091179-01	Not Used	Restrictor
10	9131544-01		9131544-01	9131544-01	9131544-01	Insulation, TXV
11	9131143-07		9131143-07	9131143-07	9131143-07	Insulation, Bulb
12	9021021-01		9021021-01	9021021-01	9021021-01	Cable Tie-For TXV and Bulb Insulation
13	9161135-02		9161135-02	9161135-02	9161135-02	Fan Motor Assembly
14	3013639-01		3013639-01	3013639-01	3013639-01	Fan Shroud
15	9141152-01		9141152-01	9141152-01	9141152-01	Condenser
16	9091086-03		9091086-03	9091086-03	9091086-03	Service Valve Cap
17	9091086-02		9091086-02	9091086-02	9091086-02	Service Valve Core
18	9091086-01		9091086-01	9091086-01	9091086-01	Service Valve Stem
19	9131574-01		9131574-01	9131574-01	9131574-01	Air Filter
	220-240/50/1		220-240/50/1	220-240/50/1	220-240/50/1	← Machine Voltage
	CIM0335A		CIM0435A	CIM0535A	CIM0635A	Starting Components (Included in Comp Kit)
	9181165-101		9181138-11A	9181166-11	9181147-11	Compressor Kit
	9181003-54		9181003-32	9181003-32	9181003-54	Start Capacitor
	9181009-26		9181009-26	9181009-28	9181009-17	Run Capacitor
	9181010-27		9181010-32	9181010-34	9181010-01	Compressor Relay
	9181005-50		9181005-46	9181005-51	Internal	Overload



SWITCH, HIGH PRESSURE



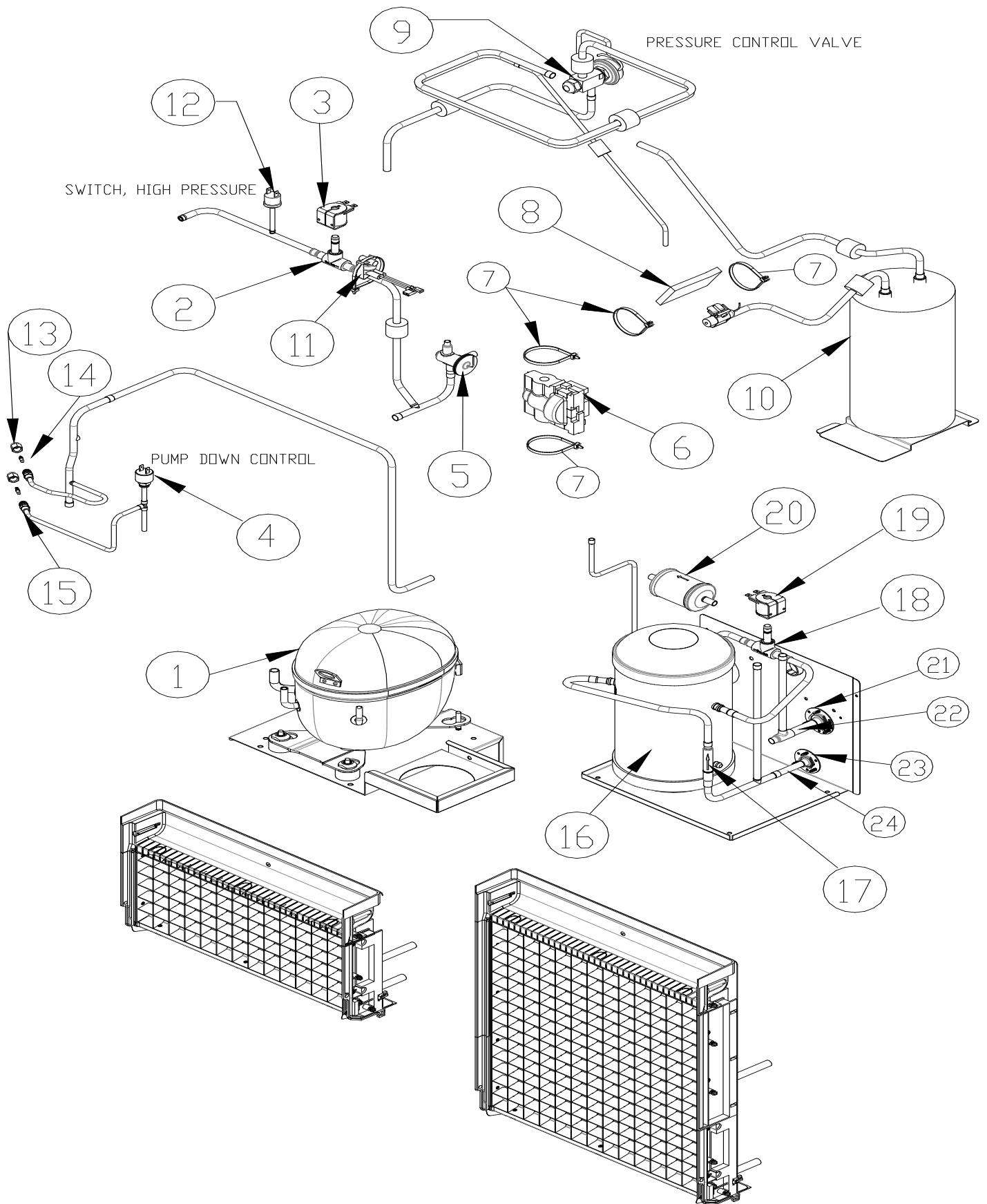
Pin to QC Adapter



REFERENCE PAGE 4 AND 5 FOR EVAPORATOR

Item No.	Model Number					Description
	CIM0330W	CIM0430W	CIM0436W	CIM0530W	CIM0636W	
1	9181163-101	9181163-101	9181164-101	9181137-11C	9181145-11A	Compressor Kit
2	9151192-03	9151192-03	9151192-03	9151192-03	9151192-03	Hot Gas Valve Body
3	9151193-01	9151193-01	9151193-02	9151193-01	9151193-02	Hot Gas Valve Coil
4	9151154-101	9151149-101	9151149-101	9151149-101	9151149-101	TXV
5	9041098-02	9041098-02	9041098-02	9041098-02	9041098-02	High Temp Switch
6	9041111-01	9041111-01	9041111-01	9041111-01	9041111-01	Switch, High Pressure
7	9151163-01	9151163-01	9151163-01	9151163-01	9151163-01	Drier (Included in Compressor Kit)
8	9131544-01	9131544-01	9131544-01	9131544-01	9131544-01	Insulation, TXV
9	9131143-07	9131143-07	9131143-07	9131143-07	9131143-07	Insulation, Bulb
10	9021021-01	9021021-01	9021021-01	9021021-01	9021021-01	Cable Tie-For TXV and Bulb Insulation
11	9041059-01	9041059-01	9041059-01	9041059-01	9041059-01	Water Regulator
12	9141156-01	9141156-01	9141156-01	9141156-01	9141156-01	Condenser
13	9091086-03	9091086-03	9091086-03	9091086-03	9091086-03	Service Valve Cap
14	9091086-02	9091086-02	9091086-02	9091086-02	9091086-02	Service Valve Core
15	9091086-01	9091086-01	9091086-01	9091086-01	9091086-01	Service Valve Stem
	115/60/1	115/60/1	208-230/60/1	115/60/1	208-230/60/1	← Machine Voltage
	CIM0330A	CIM0430A	CIM0436A	CIM0530A	CIM0636A	Starting Components (Included in Comp Kit)
	9181163-101	9181163-101	9181164-101	9181137-11B	9181145-11A	Compressor Kit
	9181003-50	9181003-50	9181003-26	9181003-50	9181003-52	Start Capacitor
	9181009-25	9181009-25	9181009-08	9181009-25	9181009-19	Run Capacitor
	9181010-33	9181010-33	9181010-27	9181010-14	9181010-27	Compressor Relay
	9181005-49	9181005-49	9181005-50	9181005-45	Internal	Overload
	9181195-01	9181195-01				Pin to QC Adapter

Item No.	Model Number					Description
				CIM0535W	CIM0635W	
1				9181166-11	9181147-11	Compressor Kit
2				9151192-03	9151192-03	Hot Gas Valve Body
3				9151193-02	9151193-02	Hot Gas Valve Coil
4				9151149-101	9151149-101	TXV
5				9041098-02	9041098-02	High Temp Switch
6				9041111-01	9041111-01	Switch, High Pressure
7				9151163-01	9151163-01	Drier (Included in Compressor Kit)
8				9131544-01	9131544-01	Insulation, TXV
9				9131143-07	9131143-07	Insulation, Bulb
10				9021021-01	9021021-01	Cable Tie-For TXV and Bulb Insulation
11				9041059-01	9041059-01	Water Regulator
12				9141156-01	9141156-01	Condenser
13				9091086-03	9091086-03	Service Valve Cap
14				9091086-02	9091086-02	Service Valve Core
15				9091086-01	9091086-01	Service Valve Stem
				220-240/50/1	220-240/50/1	← Machine Voltage
				CIM0535A	CIM0635A	Starting Components (Included in Comp Kit)
				9181166-11	9181147-11	Compressor Kit
				9181003-32	9181003-54	Start Capacitor
				9181009-28	9181009-17	Run Capacitor
				9181010-34	9181010-01	Compressor Relay
				9181005-51	Internal	Overload



REFERENCE PAGE 4 AND 5 FOR EVAPORATOR

Item No.	Model Number			Description
	CIM0530R	CIM0535R	CIM0636R	
1	9181137-11C	9181166-11	9181145-11A	Compressor Kit
2	9151192-01	9151192-01	9151192-01	Hot Gas Valve Body
3	9151193-01	9151193-02	9151193-02	Hot Gas Valve Coil
4	9041092-02	9041092-02	9041092-02	Pump Down Control
5	9151149-101	9151149-101	9151149-101	TXV
6	9131544-01	9131544-01	9131544-01	Insulation, TXV
7	9021025-01	9021025-01	9021025-01	Cable Tie-For TXV and Bulb Insulation
8	9131143-07	9131143-07	9131143-07	Insulation, TXV Bulb
9	9151146-01	9151146-01	Not Used	Pressure Control Valve
10	9151071-01	9151071-01	Not Used	Accumulator
11	9041098-02	9041098-02	9041098-02	High Temp Switch
12	9041111-01	9041111-01	9041111-01	Switch, High Pressure
13	9091086-03	9091086-03	9091086-03	Service Valve Cap
14	9091086-02	9091086-02	9091086-02	Service Valve Core
15	9091086-01	9091086-01	9091086-01	Service Valve Stem
16	9151074-01	9151074-01	9151074-01	Receiver
17	9151139-01	9151139-01	9151139-01	Check Valve
18	9151192-02	9151192-02	9151192-02	Liquid Line Solenoid
19	9151193-01	9151193-02	9151193-02	Liquid Line Coil
20	9151163-03	9151163-03	9151163-03	Drier (Included in Compressor Kit)
21	9091001-09	9091001-09	9091001-09	1/2 Inch Coupling Flange (Large)
22	9091001-12	9091001-12	9091001-12	1/2 Inch Coupling (Large)
23	9091001-03	9091001-03	9091001-03	3/8 Inch Coupling Flange (Small)
24	9091001-11	9091001-11	9091001-11	3/8 Inch Coupling (Small)

CIM0530R	CIM0535A	CIM0636R	Starting Components (Included in Comp Kit)
9181137-11B	9181166-11	9181145-11A	Compressor Kit
9181003-50	9181003-32	9181003-52	Start Capacitor
9181009-25	9181009-28	9181009-19	Run Capacitor
9181010-14	9181010-34	9181010-27	Potential Relay
9181005-45	9181005-51	Internal	Overload
115/60/1	220-240/50/1	208-230/60/1	← Machine Voltage

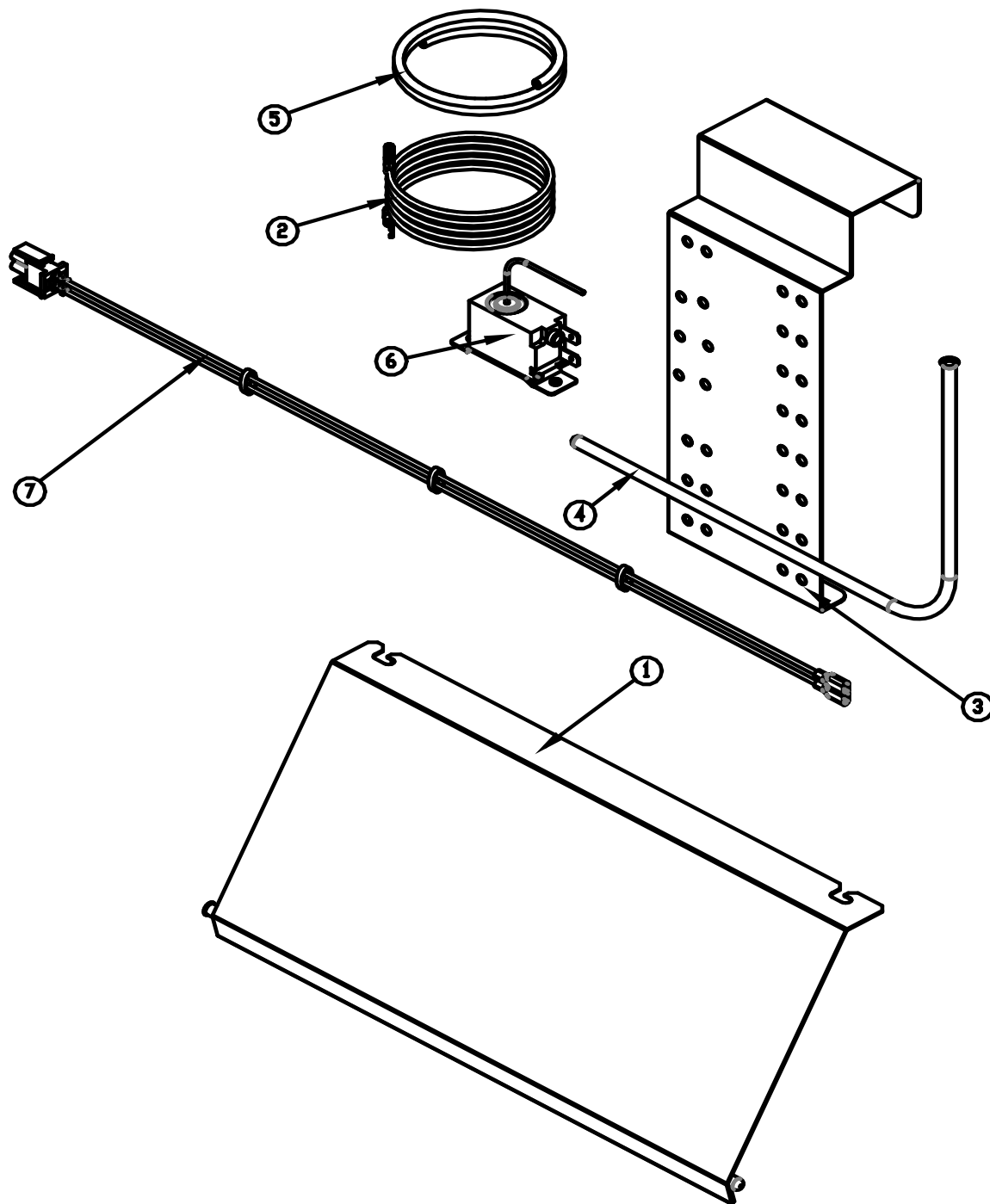
CIM Service Parts

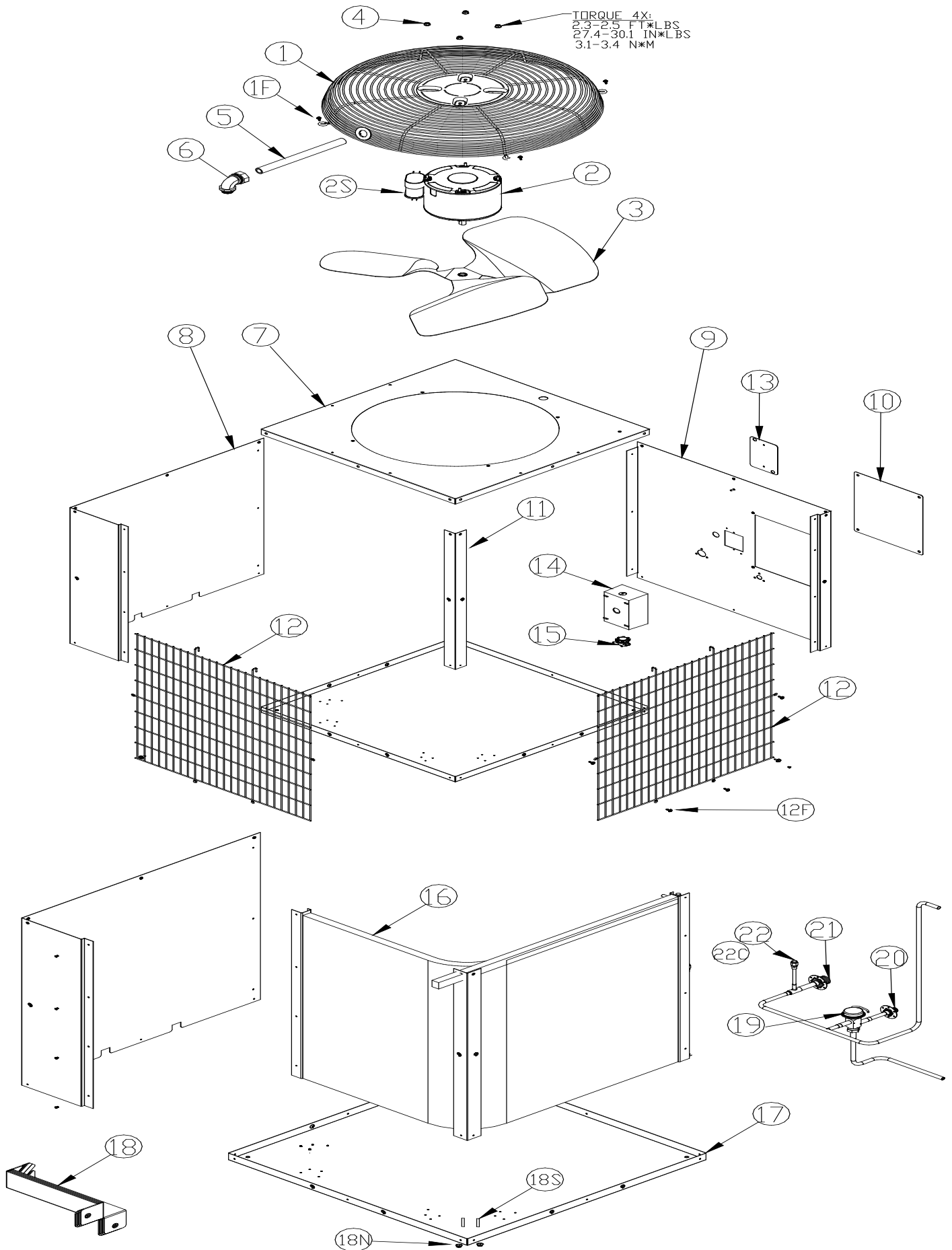
Electrical

Item No.	Model Number					Description
	CIM0330	CIM0430	CIM0436	CIM0530	CIM0636	
1	9181163-101	9181163-101	9181164-101	9181137-11C	9181145-11A	Compressor
2	9181003-50	9181003-50	9181003-26	9181003-50	9181003-52	Start Capacitor
3	9181009-25	9181009-25	9181009-08	9181009-25	9181009-19	Run Capacitor
4	9181010-33	9181010-33	9181010-27	9181010-14	9181010-27	Potential Relay
5	9181005-49	9181005-49	9181005-50	9181005-45	Internal	Overload
6	9041098-02	9041098-02	9041098-02	9041098-02	9041098-02	Switch, High Temp
7	9101002-07	9101002-07	9101002-06	9101002-07	9101002-06	Contactactor
8	9021096-01	9021096-01	9021096-01	9021096-01	9021096-01	Cable Tie, Metal
9	9041108-01	9041108-01	9041108-02	9041108-01	9041108-02	Valve, Water Inlet
10	2062336-01	2062336-01	2062336-02	2062336-01	2062336-02	Water Pump
11	9041105-04	9041105-04	9041105-05	9041105-04	9041105-05	Purge Valve
12	9091140-01	9091140-01	9091140-01	9091140-01	9091140-01	Purge Drain
13	1051224-01	1051224-01	1051224-01	1051224-01	1051224-01	Float Switch Assembly (Includes Instructions)
13T	9041112-01	9041112-01	9041112-01	9041112-01	9041112-01	Thermister in Float Housing
14	9101414-01	9101414-01	9101414-01	9101414-01	9101414-01	Board Dual Voltage
15	9051698-01P	9051698-01P	9051698-01P	9051698-01P	9051698-01P	Plastic Standoff, Control Board (Pkg of 10)
16	9161134-01	9161134-01	9161134-02	9161134-01	9161134-02	Harvest Assist
17	9101394-01	9101394-01	9101394-01	9101394-01	9101394-01	Membrane Switch (ON-OFF) (Includes Cable)
18	9101379-01	9101379-01	9101379-01	9101379-01	9101379-01	Switch, Magnetic Reed (Bin Control On Evap)
	9101380-01	9101380-01	9101380-01	9101380-01	9101380-01	Wiring Harness - LINE VOLTAGE AIR COOLED
	9101380-03	9101380-03	9101380-03	9101380-03	9101380-03	Wiring Harness - LINE VOLTAGE WATER COOLED
				9101380-04	9101380-04	Wiring Harness - LINE VOLTAGE REMOTE
	9101381-01	9101381-01	9101381-01	9101381-01	9101381-01	Wiring Harness - LOW VOLTAGE AIR & WATER
				9101381-02	9101381-02	Wiring Harness - LOW VOLTAGE REMOTE
	115/60/1	115/60/1	208-230/60/1	115/60/1	208-230/60/1	← Machine Voltage

Item No.	Model Number					Description
	CIM0335A		CIM0435A	CIM0535A	CIM0635A	
1	9181165-101		9181138-11A	9181166-11	9181147-11	Compressor Kit
2	9181003-54		9181003-32	9181003-32	9181003-54	Start Capacitor
3	9181009-26		9181009-26	9181009-28	9181009-17	Run Capacitor
4	9181010-27		9181010-32	9181010-34	9181010-01	Compressor Relay
5	9181005-50		9181005-46	9181005-51	Internal	Overload
6	9041098-02		9041098-02	9041098-02	9041098-02	Switch, High Temp
7	9101002-06		9101002-06	9101002-06	9101002-06	Contactactor
8	9021096-01		9021096-01	9021096-01	9021096-01	Cable Tie, Metal
9	9041108-02		9041108-02	9041108-02	9041108-02	Valve, Water Inlet
10	2062336-03S		2062336-03S	2062336-03S	2062336-03S	Water Pump
11	9041105-05		9041105-05	9041105-05	9041105-05	Purge Valve
12	9091140-01		9091140-01	9091140-01	9091140-01	Purge Drain
13	1051224-01		1051224-01	1051224-01	1051224-01	Float Switch Assembly (Includes Instructions)
13T	9041112-01		9041112-01	9041112-01	9041112-01	Thermister in Float Housing
14	9101414-01		9101414-01	9101414-01	9101414-01	Board Dual Voltage
15	9051698-01P		9051698-01P	9051698-01P	9051698-01P	Plastic Standoff, Control Board (Pkg of 10)
16	9161134-02		9161134-02	9161134-02	9161134-02	Harvest Assist
17	9101394-01		9101394-01	9101394-01	9101394-01	Membrane Switch (ON-OFF) (Includes Cable)
18	9101379-01		9101379-01	9101379-01	9101379-01	Switch, Magnetic Reed (Bin Control On Evap)
	9101380-01		9101380-01	9101380-01	9101380-01	Wiring Harness - LINE VOLTAGE AIR COOLED
	9101380-03		9101380-03	9101380-03	9101380-03	Wiring Harness - LINE VOLTAGE WATER COOLED
				9101380-04	9101380-04	Wiring Harness - LINE VOLTAGE REMOTE
	9101381-01		9101381-01	9101381-01	9101381-01	Wiring Harness - LOW VOLTAGE AIR & WATER
				9101381-02	9101381-02	Wiring Harness - LOW VOLTAGE REMOTE
	220-240/50/1		220-240/50/1	220-240/50/1	220-240/50/1	← Machine Voltage

Item	Part Number	Description
1	2021787-02S	Deflector
2	9101423-01	Wire Assembly
3	3013572-01	Bin Stat Tube Bracket
4	3033768-01	Bin Stat Tube
5	6021018-03	Tubing PVC Insulation (For Bin Stat Cap Tube)
6	9041097-01	Bin Thermostat
7	9101395-01	Wiring Harness, Bin Stat (CIM Units)





RCA-RGA Service Parts

Remote Condenser

Item No.	Model Number					Description
	RCA0501	RCA1001	RCA1061	RGA1001	RGA1061	
1	9131553-01	9131553-01	9131553-01	9131553-01	9131553-01	Fan Guard
1F	9031019-04	9031019-04	9031019-04	9031019-04	9031019-04	Fan Guard Fasteners (Guard to Top Panel)
2	9161142-01	9161142-01	9161142-02	9161142-01	9161142-02	Fan Motor
	See Below	See Below	See Below	See Below	See Below	Fan Motor Start Cap
3	9131555-01	9131555-01	9131555-01	9131555-01	9131555-01	Fan Blade
4	9031118-04	9031118-04	9031118-04	9031118-04	9031118-04	Fan Motor Flanged Lock Nut 8-32
5	9051753-01	9051753-01	9051753-01	9051753-01	9051753-01	Conduit
6	9091178-01	9091178-01	9091178-01	9091178-01	9091178-01	Elbow, Conduit Fitting
7	3022002-01	3022002-01	3022002-01	3022002-01	3022002-01	Top Panel
8	3022004-01	3022004-01	3022004-01	3022004-01	3022004-01	Side Panel
9	2021792-01	2021792-01	2021792-01	2021792-01	2021792-01	Control Panel/Front Panel
10	3022015-01	3022015-01	3022015-01	3022015-01	3022015-01	Remote Condenser Access Panel
11	3022006-01	3022006-01	3022006-01	3022006-01	3022006-01	Corner Post
12K	GRILL10	GRILL10	GRILL10	GRILL10	GRILL10	Grill Kit, Includes Item 12 and 12F*
12	9131546-01	9131546-01	9131546-01	9131546-01	9131546-01	Grill Only
12F	9031182-01	9031182-01	9031182-01	9031182-01	9031182-01	Grill Fasteners (4 each per Grill)
13	3013632-01	3013632-01	3013632-01	3013632-01	3013632-01	J Box Cover
14	9101397-01	9101397-01	9101397-01	9101397-01	9101397-01	Weather Proof J Box
15	9101008-01	9101008-01	9101008-01	9101008-01	9101008-01	BX Connector
16	9141165-01	9141148-02	9141148-02	9141148-02	9141148-02	Condenser, Remote
17	2021789-01	2021789-01	2021789-01	2021789-01	2021789-01	Remote Condenser Base Assembly
18	3022010-01	3022010-01	3022010-01	3022010-01	3022010-01	Leg, Remote Condenser (Sold each, 4 required)
18S	9031153-03	9031153-03	9031153-03	9031153-03	9031153-03	Leg Stud (Leg requires 2 each-8 total) 1/4-20 X 1/2
18N	9031118-02	9031118-02	9031118-02	9031118-02	9031118-02	Leg Nut, Flanged Lock Nut, 1/4-20
19	9151027-07	9151027-07	9151027-07	N/A	N/A	Head Pressure Control Valve/Mixing Valve
20	9091001-11	9091001-11	9091001-11	9091001-11	9091001-11	3/8 Coupling (Small on Condenser)
21	9091001-12	9091001-12	9091001-12	9091001-12	9091001-12	1/2 Coupling (Large on Condenser)
22	9091086-03	9091086-03	9091086-03	9091086-03	9091086-03	Service Valve Cap
22C	9091086-02	9091086-02	9091086-02	9091086-02	9091086-02	Service Valve Core
	1051226-01	1051226-01	1051226-01	1051226-01	1051226-01	Kit, Fan Control, (Cold Ambient Fan Control)

*The RCA and RGA Remote Condensers DO NOT include grills, they can be ordered as a field installed kit.