

Ice-O-Matic[®]

SERVICE PARTS MANUAL
The EF Series Flaker
MODEL-EF250, EF450, EF800



EF Series Flaker Service Parts

This parts list contains the service parts available for the EF Series Flaker icemakers.

EF250

EF450

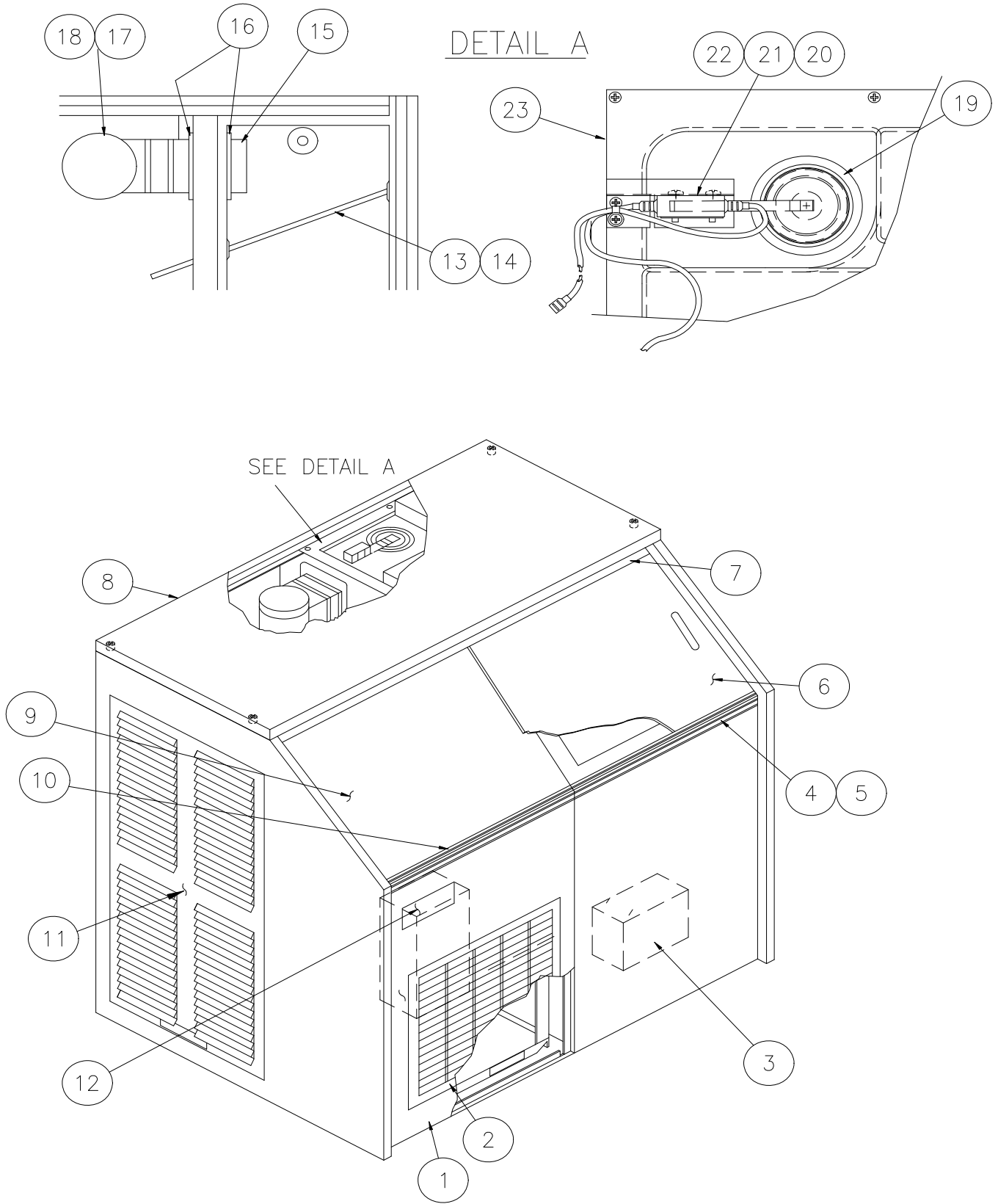
EF800

Check the model number on the data plate and refer to the correct listing for the specific component.

Check carefully that the correct part is identified and ordered.

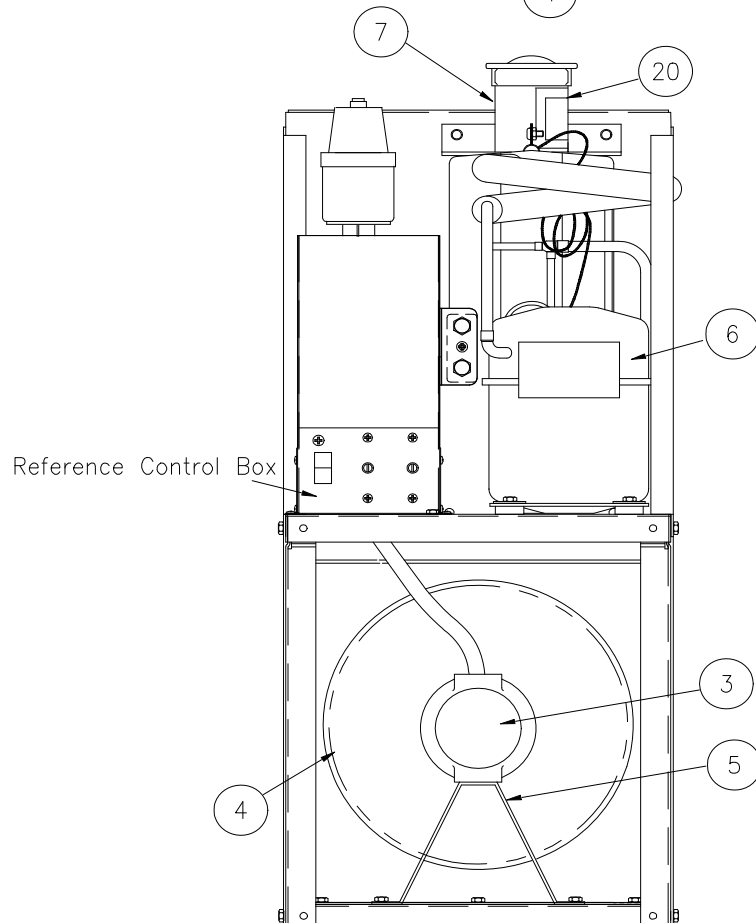
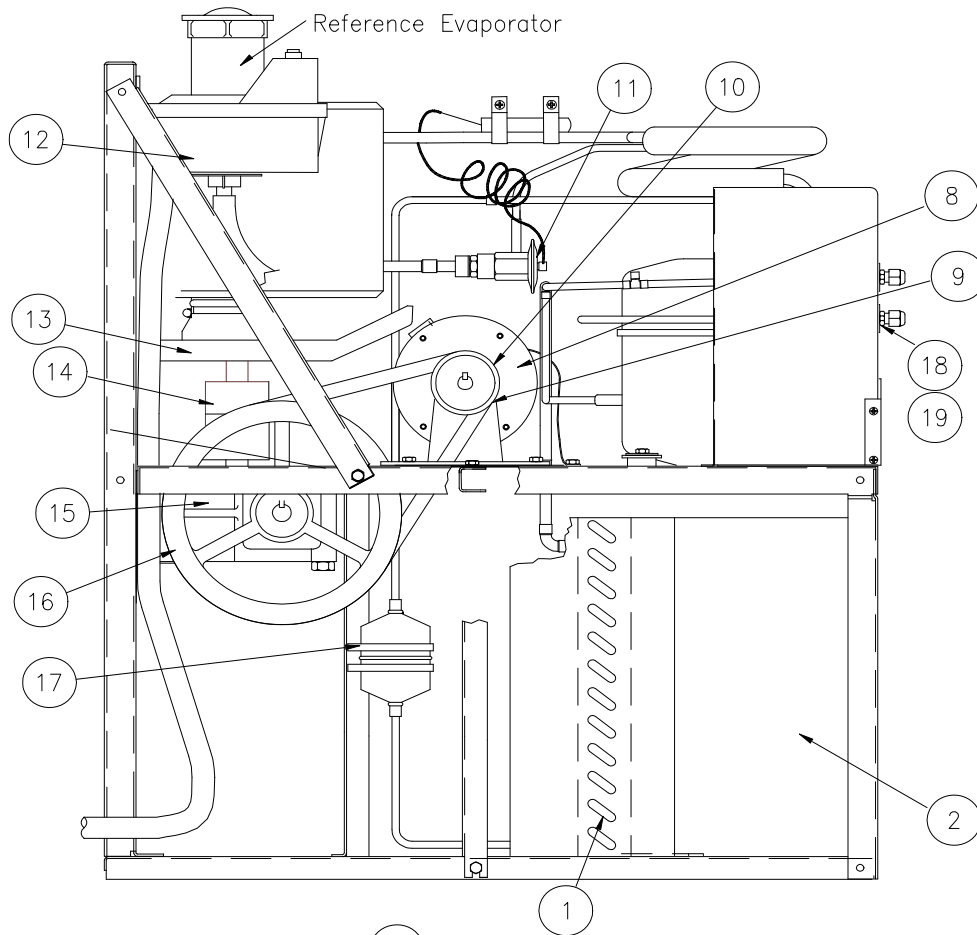
Table of Contents	Page 1
Cabinet	Page 2 - 3
Refrigeration System	Page 4 - 5
Evaporator	Page 6 - 7
Control Box	Page 8

Ice-O-Matic
11100 East 45th Ave.
Denver Co. 80239
800-423-3367



Item	EF250	EF450	EF800	Description
1	2031474-01S	2031474-01S	2031474-01S	Left Hand Front Panel Assembly
2	9051464-01	9051464-01	9051464-01	Louver Panel (Included in 2031474-01)
	9031133-02P	9031133-02P	9031133-02P	Push Nut (Secures Louver Panel)
3	9021002-04	9021002-04	9021002-04	Leg Set (4 Legs)
4	9061034-01	9061034-01	9061034-01	Bottom R/H Door Frame Ext. 32" Cabinet NLA-NR
4	9061035-01	9061035-01	9061035-01	Bottom R/H Door Frame Ext. 38" Cabinet NLA-NR
4	9061036-01	9061036-01	9061036-01	Bottom R/H Door Frame Ext. 48" Cabinet NLA-NR
5	6061001-01	6061001-01	6061001-01	Decorative Trim 32" Cabinet-30.5 Inches NLA-NR
5	6061001-01	6061001-01	6061001-01	Decorative Trim 38" Cabinet-36.5 Inches NLA-NR
5	6061001-01	6061001-01	6061001-01	Decorative Trim 48" Cabinet-46.5 Inches NLA-NR
6	9051093-01	9051093-01	9051093-01	Door Panel 32" Cabinet
6	9051093-03	9051093-03	9051093-03	Door Panel 38" Cabinet
6	9051093-07	9051093-07	9051093-07	Door Panel 48" Cabinet
7	9061029-01	9061029-01	9061029-01	Top Door Frame Extrusion 32" Cabinet NLA-NR
7	9061027-01	9061027-01	9061027-01	Top Door Frame Extrusion 38" Cabinet NLA-NR
7	9061028-01	9061028-01	9061028-01	Top Door Frame Extrusion 48" Cabinet NLA-NR
8	3021252-02	3021252-02	3021252-02	Top Panel 32" Cabinet NLA-NR
8	3021230-02	3021230-02	3021230-02	Top Panel 38" Cabinet NLA-NR
8	3021272-02	3021272-02	3021272-02	Top Panel 48" Cabinet NLA-NR
9	3021232-02	3021232-02	3021232-02	Top L/H Front Panel
10	9061033-01	9061033-01	9061033-01	Bottom L/H Door Frame Ext.
11	3021359-02	3021359-02	3021359-02	Left Hand Access Panel
12	3011795-01	3011795-01	3011795-01	Control Box Cover NLA-NR
13	3031209-02	3031209-02	3031209-02	Bin Control Rod 32" Cabinet NLA-NR
13	3031209-03	3031209-03	3031209-03	Bin Control Rod 38" Cabinet NLA-NR
13	3031209-04	3031209-04	3031209-04	Bin Control Rod 48" Cabinet NLA-NR
14	9051002-10	9051002-10	9051002-10	Rubber Grommet NLA-NR
15	2021164-01	2021164-01	2021164-01	Ice Chute NLA-NR
16	9051239-01	9051239-01	9051239-01	Ice Chute Grommet
17	2991006-01	2991006-01	2991006-01	Legionaire Cap (Insulation) NLA-NR
18	9051011-01	9051011-01	9051011-01	Evaporator Gasket (Chute Gasket)
19	9051206-01	9051206-01	9051206-01	Diaphragm (Secondary Bin Switch)
20	9101338-01P	9101338-01P	9101338-01P	Secondary Bin Switch
21	9031011-01P	9031011-01P	9031011-01P	Twin Speed Nut
22	9031008-29	9031008-29	9031008-29	Machine Screw 6-32 x 7/8
23	9051322-01	9051322-01	9051322-01	Bin Liner Cover 32" Cabinet
23	9051323-01	9051323-01	9051323-01	Bin Liner Cover 38" Cabinet NLA-NR
23	9051324-01	9051324-01	9051324-01	Bin Liner Cover 48" Cabinet

NLA-NR=No Longer Available-No Replacement



Item	EF250	EF450	EF800	Description
1	9141054-01	9141002-01	9141125-01	Air Condenser NLA-NR
2	2021476-01	2021476-01	3013166-01	Fan Shroud NLA-NR
3	9161112-01	9161112-01	9161112-01	Fan Motor (Replaces 9161045-01)
4	9131133-02	9131133-02	9131384-08	Fan Blade
5	9131054-01	9131054-01	9131054-01	Fan Motor Bracket
6	9181098-11	9181095-11		Compressor
			1051217-01*	Compressor Kit (9181086-11 is NLA)
7	See page 7	See page 7	See page 7	Evaporator Assembly (See Page 7)
8	9161093-01	9161093-01	9161093-01	Auger Motor
9	9111001-01	9111001-01	9111001-11	V-Belt
10	9111002-29	9111002-29	9111002-05	Auger Motor Pulley
	9021028-01	9021028-01	9021028-01	Auger Motor Pulley Key
11	9151134-11	9151134-11	9151134-09	Expansion Valve
12	9131032-01	9131032-01	9131032-01	Float (Includes Float and Reservoir)
13	9051007-01	9051007-01	9051007-01	Drip Boot
14	2081012-02	2081012-02	2081012-02	Coupling Assembly (5/8 x 3/4)
	9021028-01	9021028-01	9021028-01	Auger or Gear Reducer Output Key
	9111012-91	9111012-91	9111012-91	Upper Coupler Half (5/8)
	9111004-91	9111004-91	9111004-91	Spyder
	9111004-92	9111004-92	9111004-92	Lower Coupler Half (3/4)
15	9171010-03	9171010-03	9171010-03	Gear Reducer
16	9111002-08	9111002-08	9111002-26	Gear Reducer Pulley
	9021028-02	9021028-02	9021028-02	Gear Reducer Pulley Key NLA-NR
17	9151163-01	9151163-01	9151163-01	Drier (Replaces 9151004-02)
18	9091086-02	9091086-02	9091086-02	Service Valve Core
19	9091086-03	9091086-03	9091086-03	Service Valve Cap
20	9051011-01	9051011-01	9051011-01	Evaporator Gasket (Chute Gasket)

NLA-NR=No Longer Available-No Replacement

Compressor Components

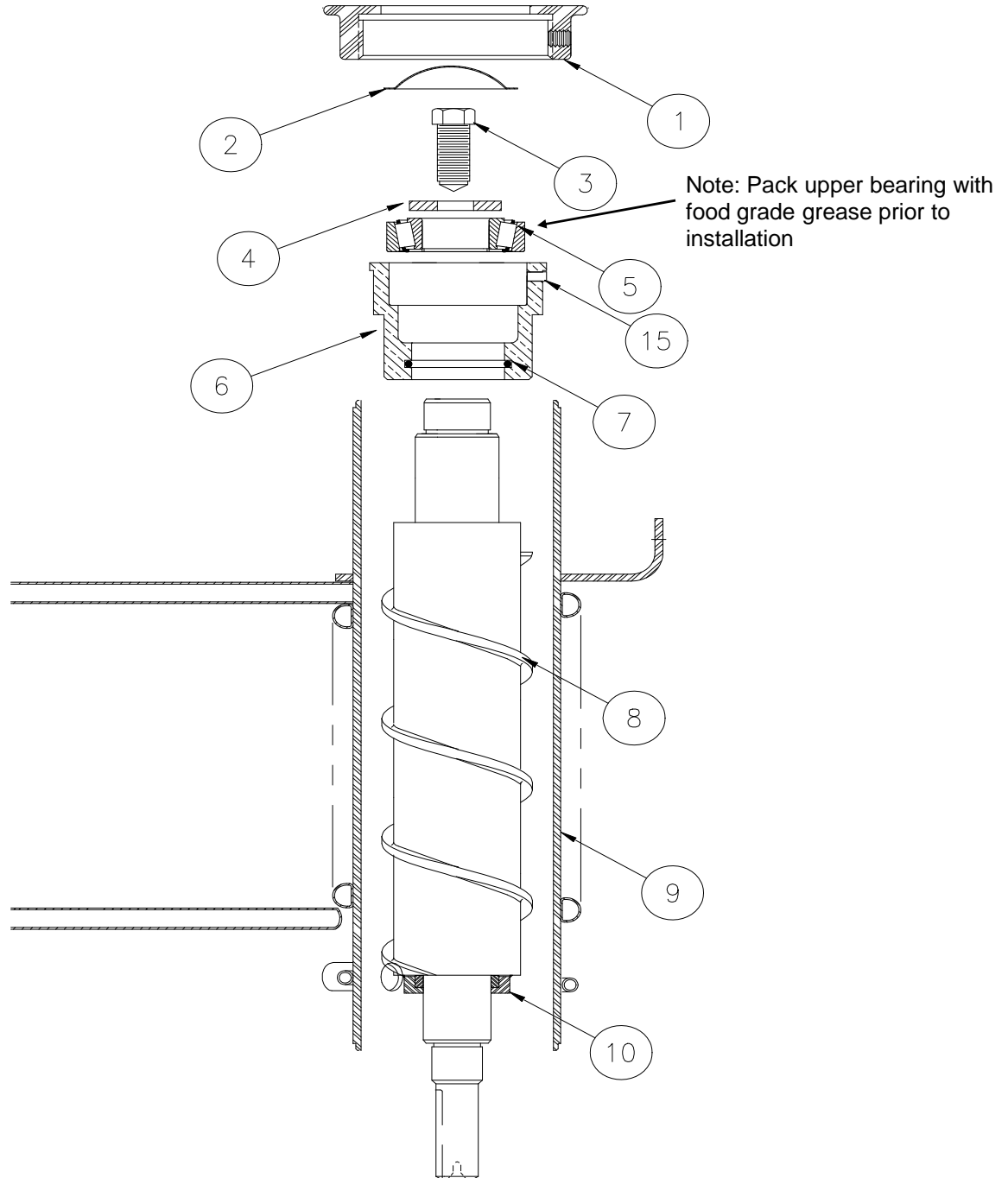
EF250	EF450	EF800	Description
9181098-11	9181095-11	9181086-11	Compressor = RS43C2E-IAA-214
9181004-25	9181004-22	9181010-14	Compressor Relay
9181005-34	9181005-31	9181005-12	Overload
N/A	N/A	N/A	Run Capacitor
9181003-38	9181003-03	9181003-17	Start Capacitor

9181086-11 is NLA, Replaced by 1051217-01

***1051217-01 Kit Includes the 9181136-11 Compressor**

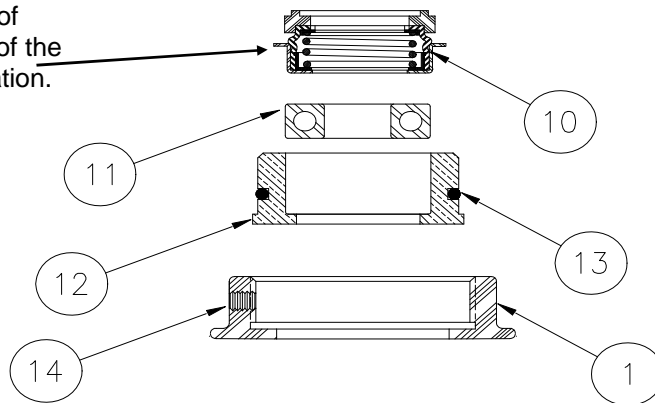
EF800	Description
9181136-11	Compressor = RST45C1E-IAA
9181004-31	Compressor Current Relay
9181005-47	Overload
N/A	Run Capacitor
9181003-55	Start Capacitor

Check the EF800 Compressor Model Number before specifying starting components



Note: Pack upper bearing with food grade grease prior to installation

Note: Apply a small bead of silicone on the underside of the seal flange prior to installation.



Item	EF250	EF450	EF800	Description
1	9131207-01	9131207-01	9131207-01	Nut-Retaining
2	3011011-01	3011011-01	3011011-01	Evaporator Cap
3	9031001-01	9031001-01	9031001-01	Hex Bolt 1/2-20 x 1"
4	9031004-09	9031004-09	9031004-09	Washer
5	9121039-02	9121039-02	9121039-02	Upper Bearing
6	9131219-01	9131219-01	9131219-01	Upper Bearing Housing
7	9131009-03	9131009-03	9131009-03	O-Ring-Upper
8	9131012-01	9131012-01	9131012-01	Auger
9	2051172-91	2051172-91	2051172-91	Evaporator Assembly (Complete)
	2051171-91	2051171-91	2051171-91	Evaporator Barrel Only (No Internal Components)
10	9121026-91	9121026-91	9121026-91	Seal (Includes Upper and Lower)
11	9121001-06	9121001-06	9121001-06	Lower Bearing
12	9131220-01	9131220-01	9131220-01	Lower Bearing Housing
13	9131009-08	9131009-08	9131009-08	O-Ring-Lower
14	9031033-03	9031033-03	9031033-03	Set Screw 1/4-20
15	9131010-01	9131010-01	9131010-01	Locating Pin
	1051111-02	1051111-02	1051111-02	Rebuild Kit (Includes Items 1, 5, 7, 10, 11, 13)

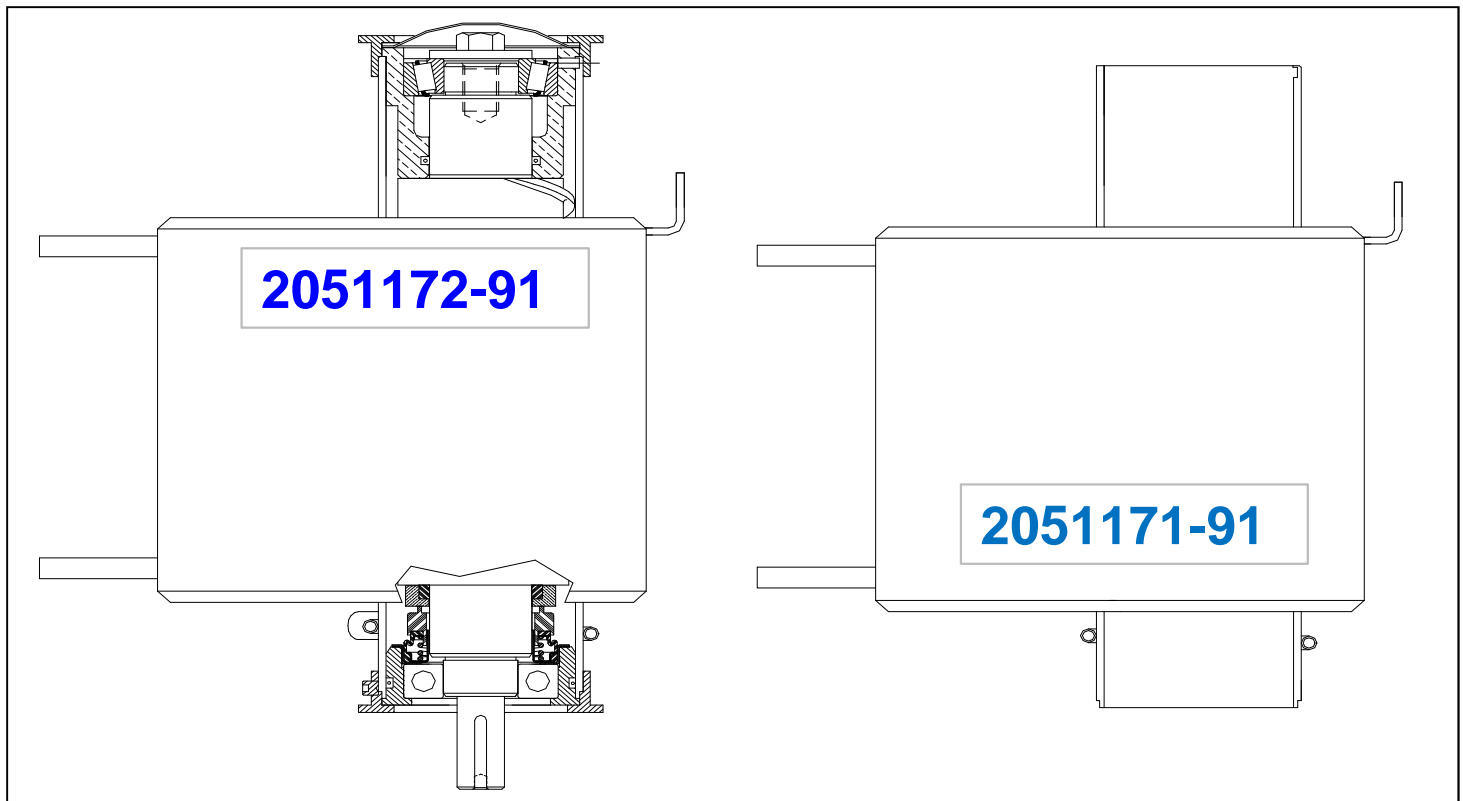
Note: The Evaporator Assembly includes all internal components.

Upper Bearing, Housing and O-Ring

Auger and Seal

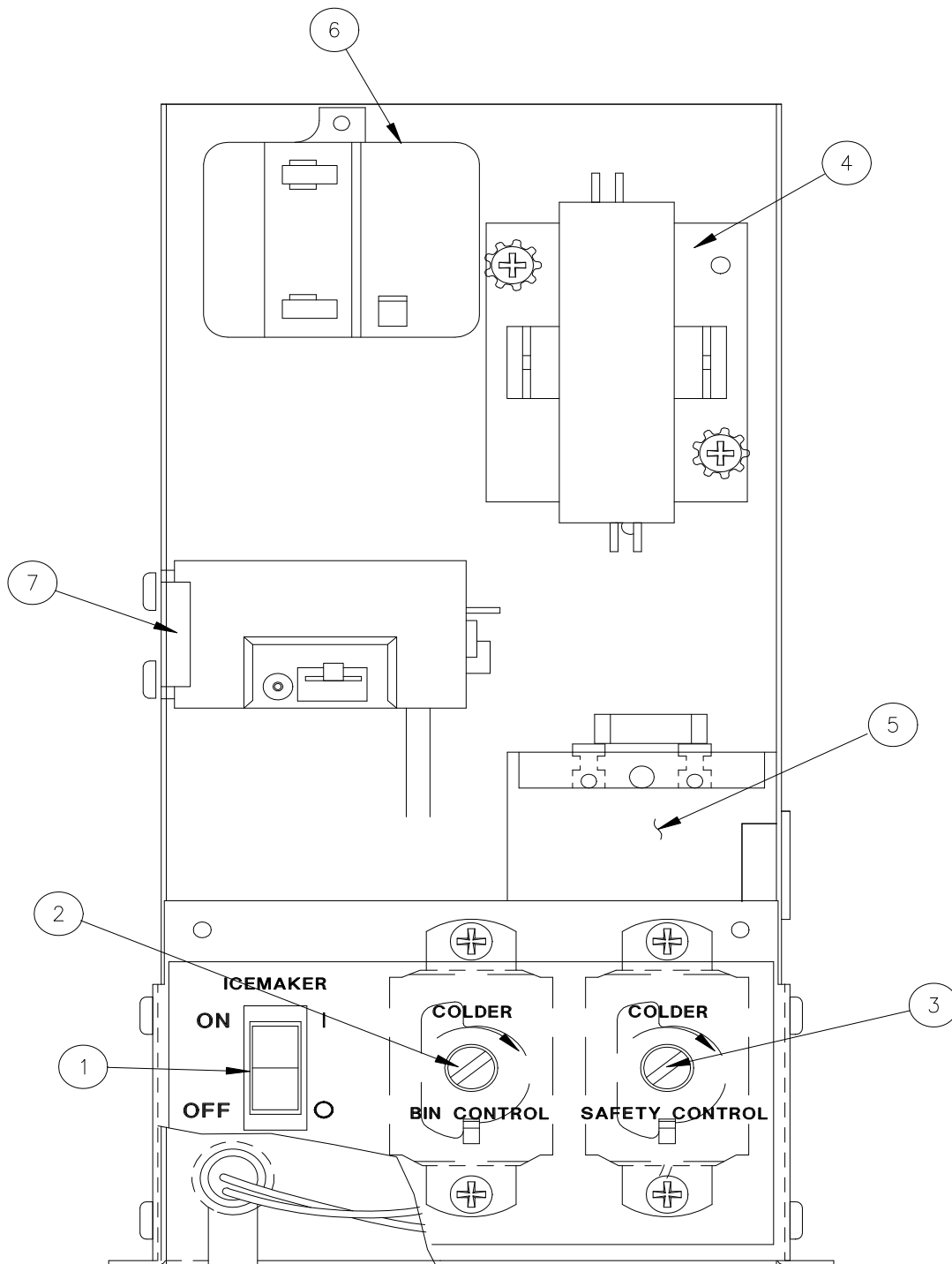
Lower Bearing, Housing, Water Seal and O-Ring

Retaining Nuts



Evaporator Assembly

Evaporator Barrel Only



Item	EF250	EF450	EF800	Description
1	9101139-04	9101139-04	9101139-04	Rocker Switch (On-Off)
2	9041004-02	9041004-02	9041004-02	Bin Control Thermostat
3	9041002-01	9041002-01	9041002-01	Low Temp Safety Thermostat
4	9101002-07	9101002-07	9101002-07	Contactor (9101002-03 is NLA)
5	See Page 5	See Page 5	See Page 5	Start Capacitor
6	See Page 5	See Page 5	See Page 5	Potential Relay
7	9041095-01	N/A	N/A	High Pressure Control
8	3011795-01	3011795-01	3011795-01	Control Box Cover-Not Shown NLA-NR

NLA-NR=No Longer Available-No Replacement