



**SERVICE PARTS MANUAL  
FLAKER DISPENSER  
MODEL-EFD270**



**Mile High Equipment  
11100 East 45th Ave  
Denver, Colorado 80239**

**Part Number 9081321-01**

**Print Date 4/04**



# EFD270 Service Parts

This is the list of service parts for the EFD270 ice maker dispenser.

Always have the model and serial number available when looking for a part number as changes do occur and the change may reference the model and/or serial number.

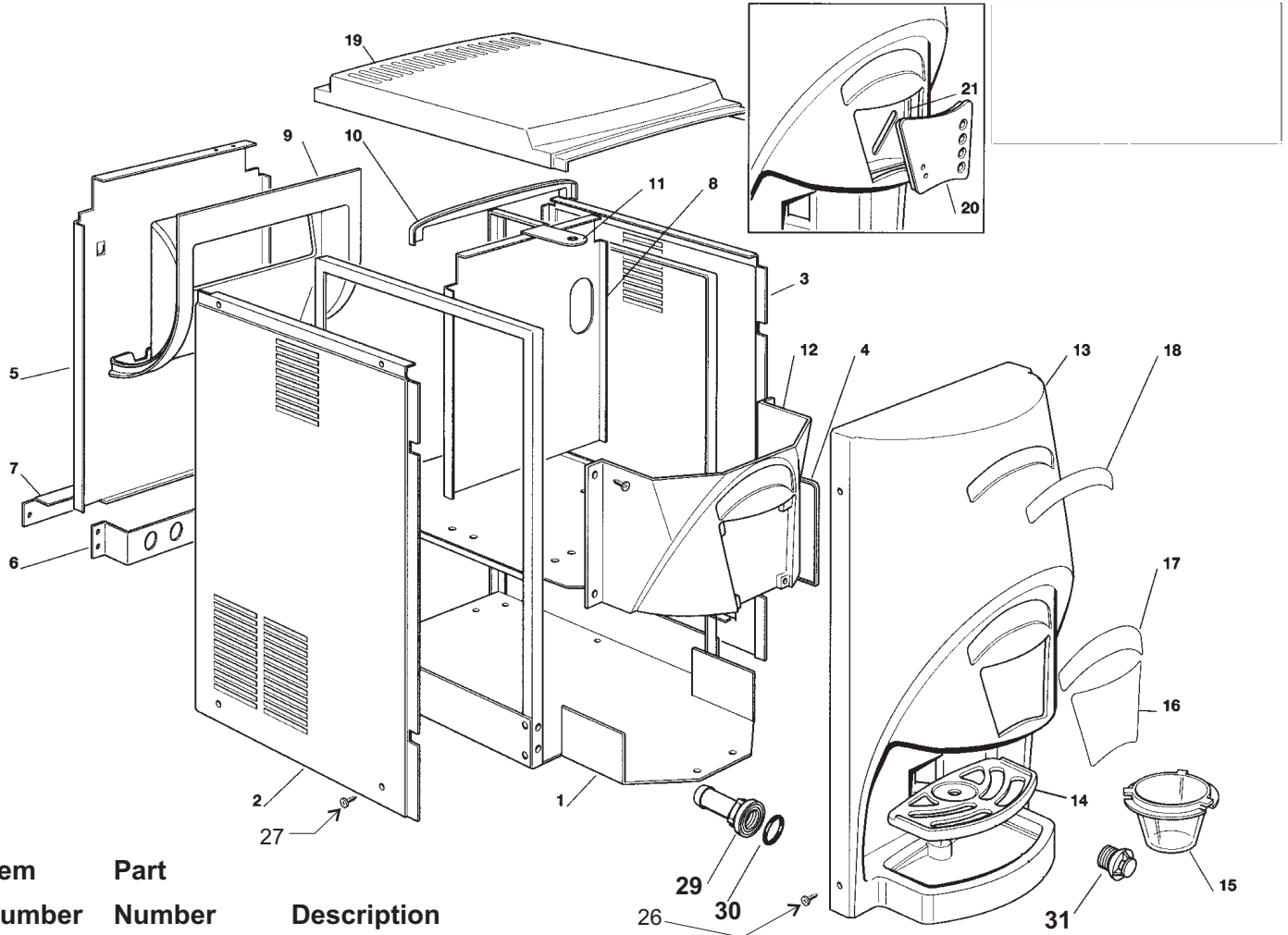
## Table of Contents

Cabinet . . . . .	Page 2
Condensing System . . . . .	Page 3
Water and Dispensing . . . . .	Page 4
Water and Dispensing Part Numbers . . . . .	Page 5
Auger Drive and Evaporator . . . . .	Page 6
Auger Drive and Evaporator Part Numbers . . . . .	Page 7
Control System . . . . .	Page 8
Wiring Diagram . . . . .	Page 9

ICE-O-Matic  
11100 East 45th Ave.  
Denver, CO 80239  
  
(800) 423-3367

# EFD270 Service Parts

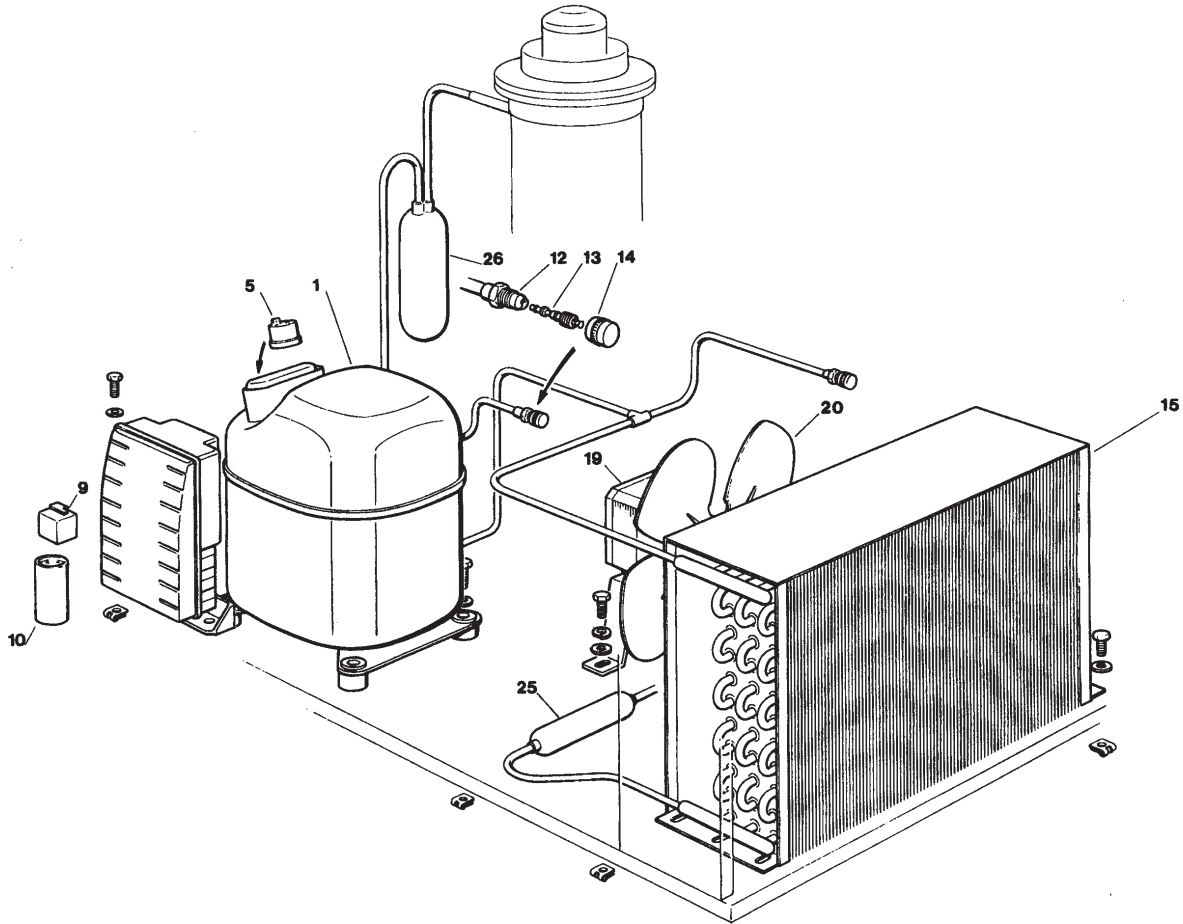
## Cabinet



Item Number	Part Number	Description	Item Number	Part Number	Description
1	****	Unit Frame	14	1011357-77	Grill:Sink
2	1011357-112	Left Side Panel	15	1011357-97	Dispensing Spout
3	1011357-113	Right Side Panel	16	1011357-84	Label - Ice & Water
4	1011357-114	R Pcb Service Panel	17	1011357-83	Label
5	1011357-108	Rear Panel	18	1011357-82	ICE-O-Matic Logo
6	1011357-107	Metal Bracket For Fitting	19	1011357-80	Top Panel
7	1011357-109	Cover For Fitting Bracket	20	1011357-99	PCB housing
8	1011357-106	Metal Divider	21	1011357-101	PCB cover
9	1011357-93	Condenser Shroud	26	1011357-25	Screw
10	1011357-96	Plastic Bracket		1011357-78	Cap for screw
11	1011357-110	Ice Spout Bracket		1011357-79	Washer for screw
12	1011357-95	Dispensing Board Frame	27	1011357-26	Side panel screw
13	1011357-10	Front Panel, incl. items 16, 17, 18	28	1011357-27	Back panel screw
			29	1011357-87	Drain fitting
			30	1011357-62	O-ring
			31	1011357-86	Drain top

# EFD270 Service Parts

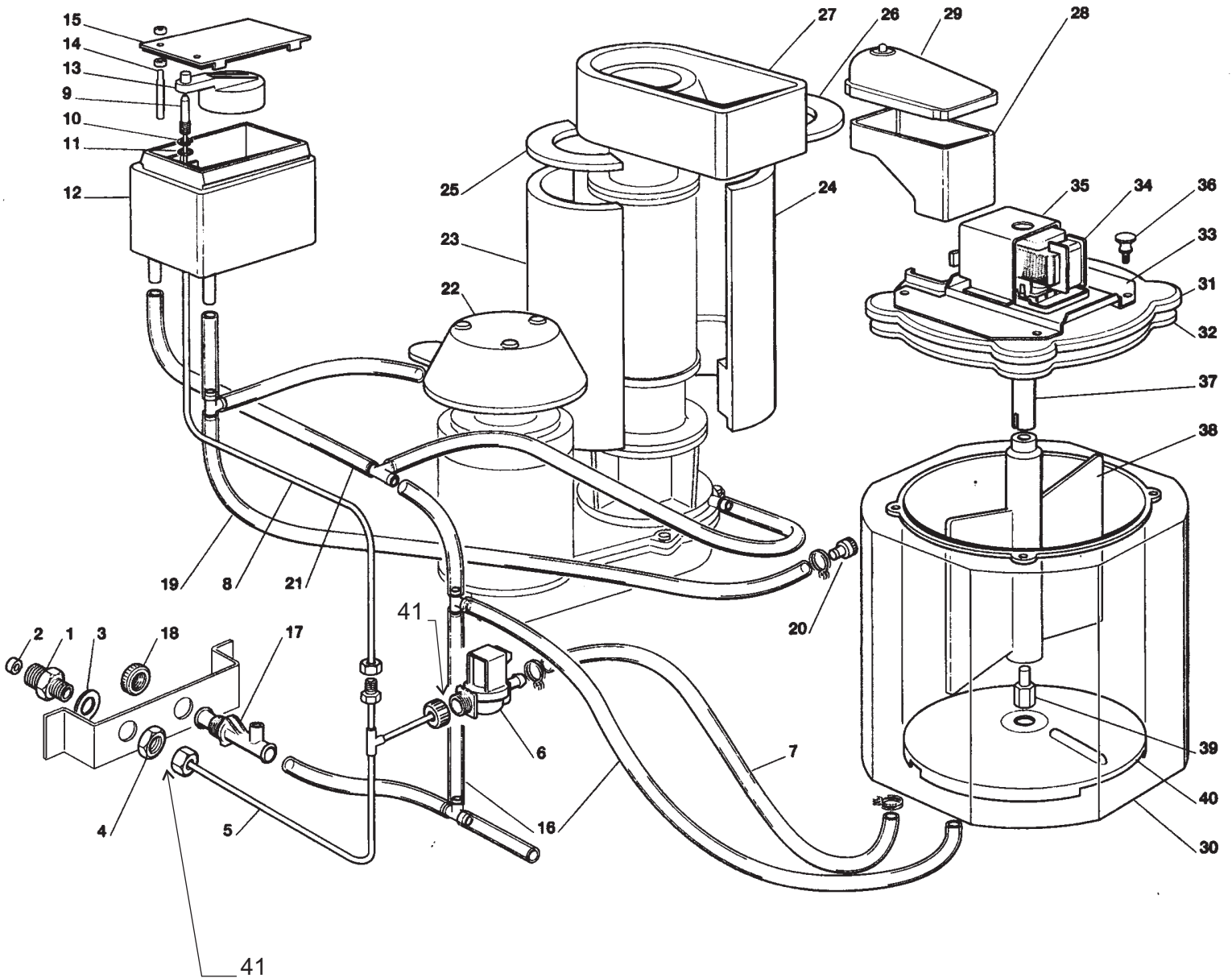
## Condensing System



Item Number	Part Number	Description
1	<a href="#">1011357-105</a>	Compressor assy
5	<a href="#">1011357-34</a>	Protector
9	<a href="#">1011357-33</a>	Start Relay
10	<a href="#">1011357-35</a>	Start Capacitor (315 mfd)
12	<a href="#">1011357-67</a>	Valve Body
13	<a href="#">1011357-103</a>	Valve Piston
14	<a href="#">1011357-65</a>	Valve Cap
15	<a href="#">1011357-44</a>	Air Cooled Condenser
19	<a href="#">1011357-42</a>	Fan Motor
20	<a href="#">1011357-43</a>	Fan Blade
25	<a href="#">1011357-49</a>	Drier
26	<a href="#">1011357-121</a>	R Suction Line/Accumulator

# EFD 270 Service Parts

## Water and Dispensing



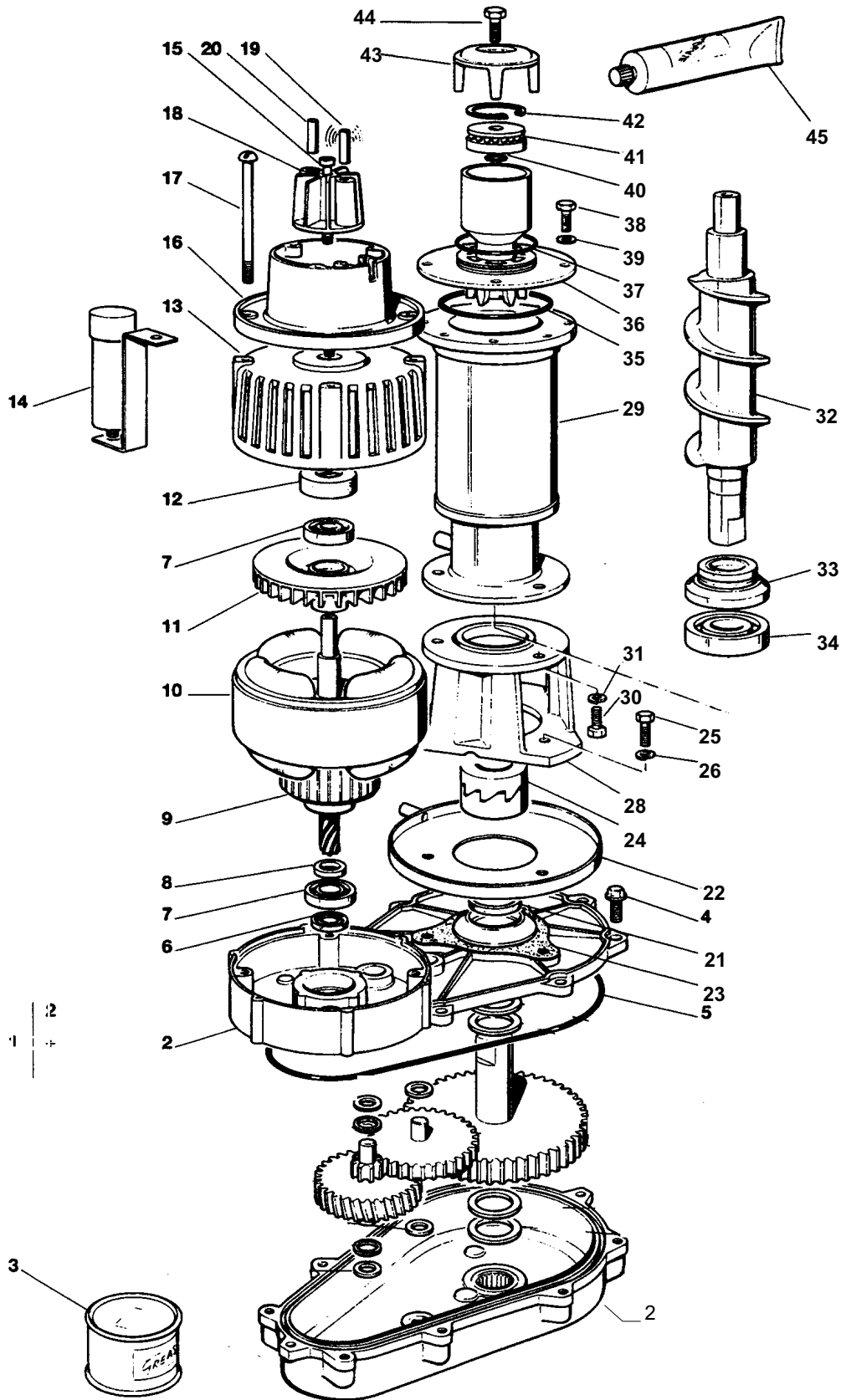
# EFD 270 Service Parts

## Water and Dispensing Part Numbers

Item Number	Part Number	Description	Item Number	Part Number	Description
1	1011357-116	Water Inlet Fitting	34	1011357-11	Dispensing Motor
2	1011357-63	Strainer	35	1011357-111	Cover, Dispensing Motor
3	1011357-13	Fiber Washer	36	1011357-04	Screw
4	1011357-14	Nut	37	1011357-03	Shaft
5	No Number	Copper Water Inlet Tube	38	1011357-129	Ice Agitator
6	1011357-64	Water Inlet Valve	39	1011357-02	Pin, Vane
7	1011357-32	Plastic Tube	40	1011357-128	Bin Bottom
8	No Number	Copper Water Inlet Tube	41	1011357-57	Rubber washer
9	1011357-119	Nozzle			
10	1011357-24	Clip Ring			
11	1311357-61	O Ring			
12	1011357-124	Water Reservoir assy			
13	1011357-91	Float Valve assy			
14	1011357-115	Water Level Metal Pin			
15	1011357-89	Water Reservoir Cover			
16	1011357-30	Plastic Tube			
17	1011357-88	Water Drain Fitting			
18	1011357-90	Plastic Ring Nut			
19	1011357-29	Plastic Tube			
20	1011357-66	Valve Cap			
	1011357-68	Valve Body			
21	1011357-31	Plastic Tube			
22	1011357-94	Gear Motor Plastic Cover			
23-24	1011357-09	Insulation			
25-26	1011357-73	Insulation			
27	1011357-72	Spout Insulation			
28	1011357-98	Ice Spout			
29	1011357-132	Ice Spout Cover			
30	1011357-131	Storage Bin			
31	1011357-81	Insulation, Storage Bin Cover			
32	1011357-92	Cover, Storage Bin			
33	1011357-130	Bracket, Dispensing Motor			

# EFD 270 Service Parts

## Auger Drive and Evaporator



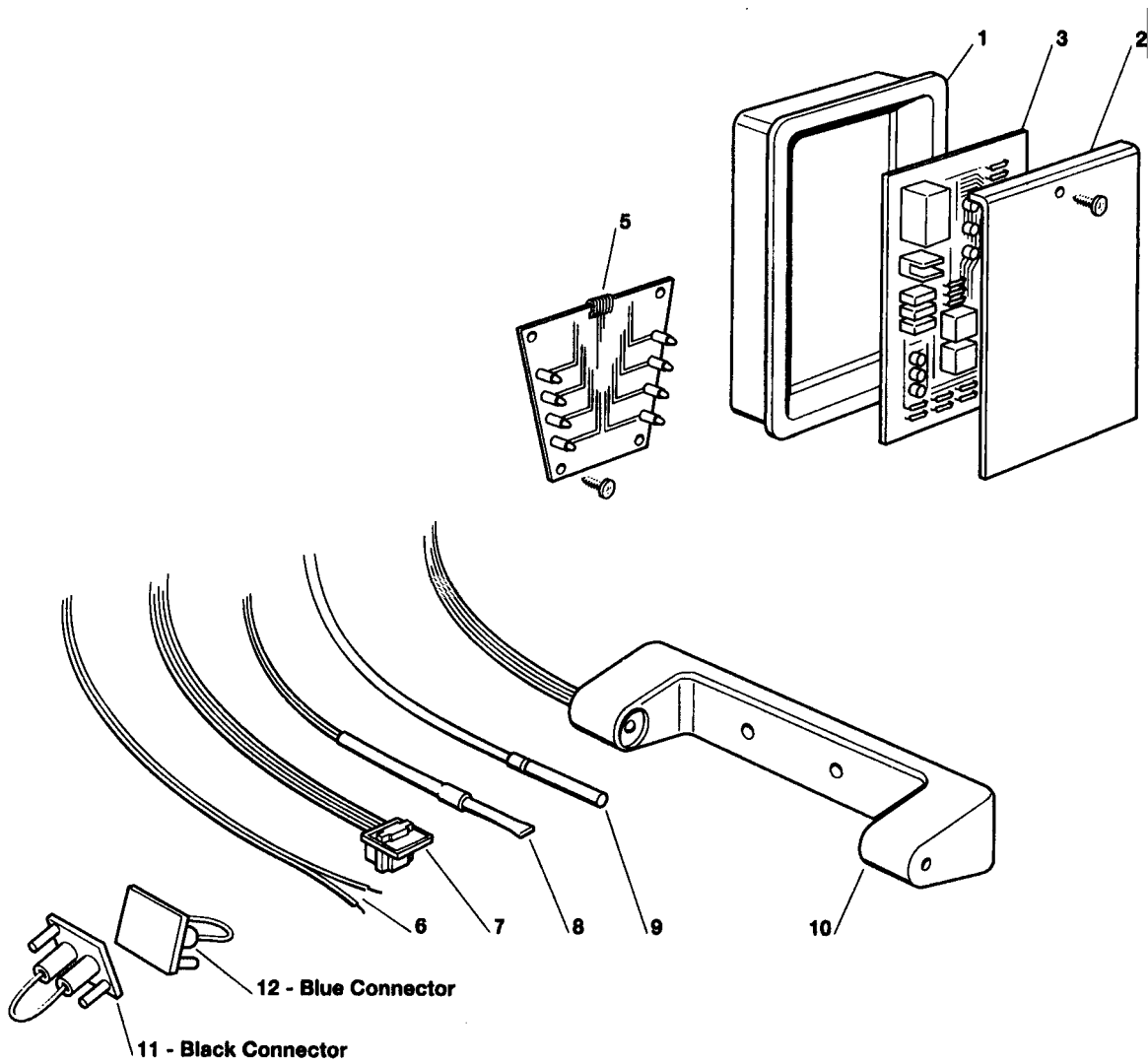
# EFD 270 Service Parts

## Auger Drive and Evaporator Part Numbers

Item Number	Part Number	Description	Item Number	Part Number	Description
1	1011357-126	Gear Reducer assy	36	1011357-75	Ice Breaker
2	1011357-01	Gear Case assy			Does <b>not</b> include Bearing or O-Ring
3	1011357-07	Grease (1 Kg)	37	1011357-54	O Ring
4	1011357-05	Screw	38	1011357-15	Screw
5	1011357-59	O Ring	39	1011357-22	Washer
6	1011357-58	Grease Seal	40	1011357-53	O Ring
7	1011357-85	Bearing	41	1011357-104	Top Bearing
8	1011357-23	Trust Washer	42	1011357-69	Clip Ring
9	1011357-125	R Rotor assy	43	1011357-74	Ice Sweep
10	1011357-37	Stator assy	44	1011357-16	Screw
11	1011357-117	Fan Blade	45	1011357-12	Water Proof Grease
12	1011357-60	Rubber Insert			
13	1011357-127	Drive Motor Cover			
14	1011357-36	Capacitor			
15	1011357-06	Screw			
16	1011357-70	Plastic Housing			
17	1011357-19	Screw			
18-19-20	1011357-123	Magneto Holder assy			
21	1011357-51	Grease Seal			
22	1011357-120	Drip Tray			
23	1011357-56	Gasket			
24	1011357-08	Coupling			
25	1011357-17	Screw			
26	1011357-20	Washer			
27	NO NUMBER	Freezer assy			
28	1011357-118	Aluminum Adapter			
29	1011357-122	Evaporator			
30	1011357-18	Screw			
31	1011357-21	Washer			
32	1011357-76	Auger			
33	1011357-195	Water Seal			
34	1011357-102	Lower Bearing			
35	1011357-55	O Ring			

# EFD 270 Service Parts

## Control System



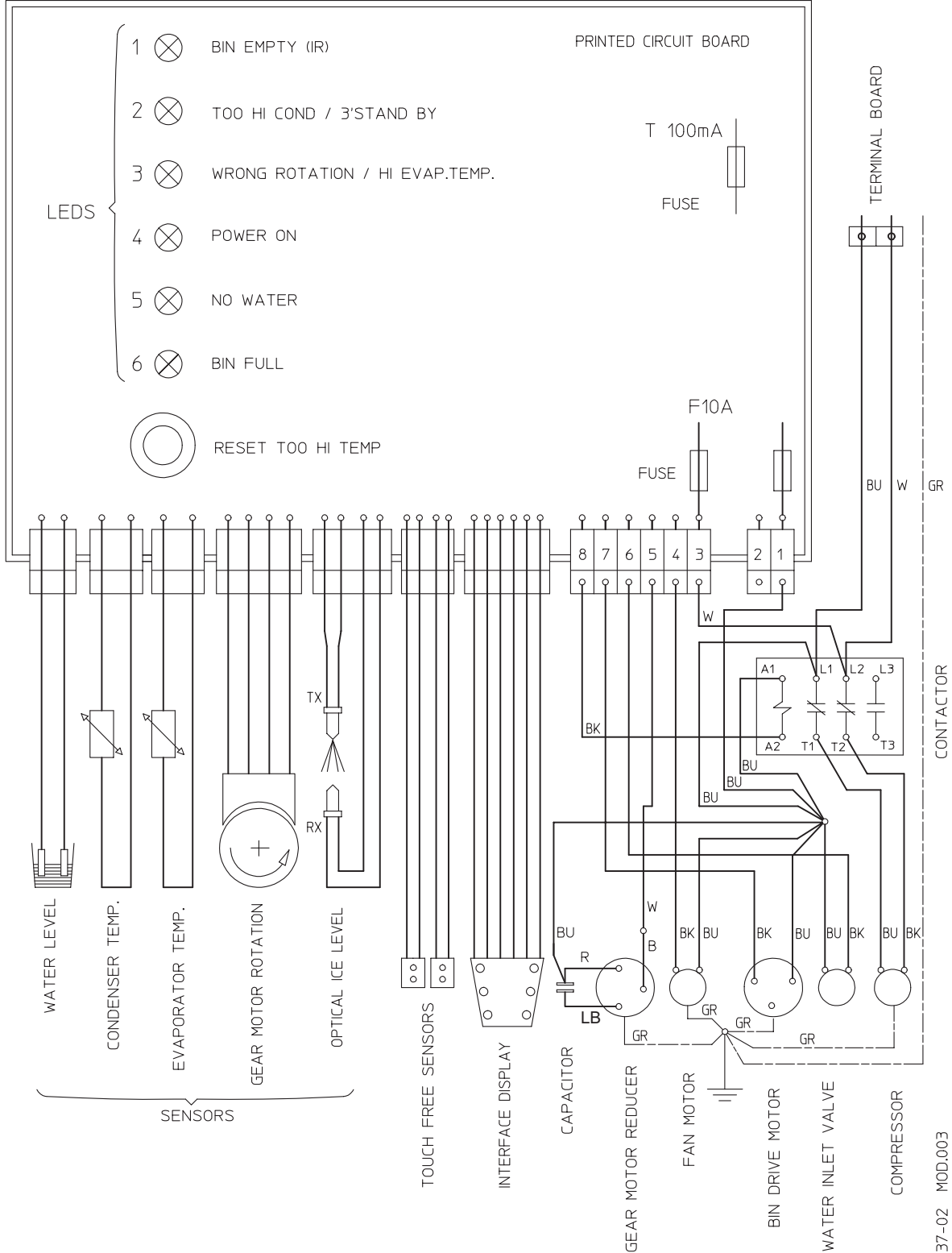
Item Number	Part Number	Description
1-2-3	<a href="#">1011357-48</a>	P.C. Board & Box assy
5	<a href="#">1011357-45</a>	Dispensing P.C.B.
6	<a href="#">1011357-41</a>	Water Level Sensor
7	<a href="#">1011357-39</a>	Hall Effect Sensor
8	<a href="#">1011357-38</a>	Condenser Temp. Sensor
9	<a href="#">1011357-40</a>	Evaporator Temp. Sensor
10	<a href="#">1011357-71</a>	Ice Level Control Assy
11	<a href="#">1011357-47</a>	Dispensing Sensor Tx (Black)
12	<a href="#">1011357-46</a>	Dispensing Sensor rx (Blue)
13	<a href="#">1011357-28</a>	Harness for dispensing sensor
14	<a href="#">1011357-50</a>	Contactor (not shown)

# EFD 270 Service Parts

## Wiring Diagram

WIRING DIAGRAM (MACHINE OPERATING)

BU - BLUE  
 W - WHITE  
 BK - BLACK  
 GR - GREEN  
 R - RED  
 B - BROWN  
 LB - Light Blue



050537-02 MOD.003