

Ice-O-Matic[®]

SERVICE PARTS MANUAL COUNTER TOP FLAKER DISPENSER MODEL-EFD300A



**Mile High Equipment
11100 East 45th Ave
Denver, Colorado 80239**

Print Date: 3/03

EFD300A Counter Top Flaker Dispenser

Service Parts

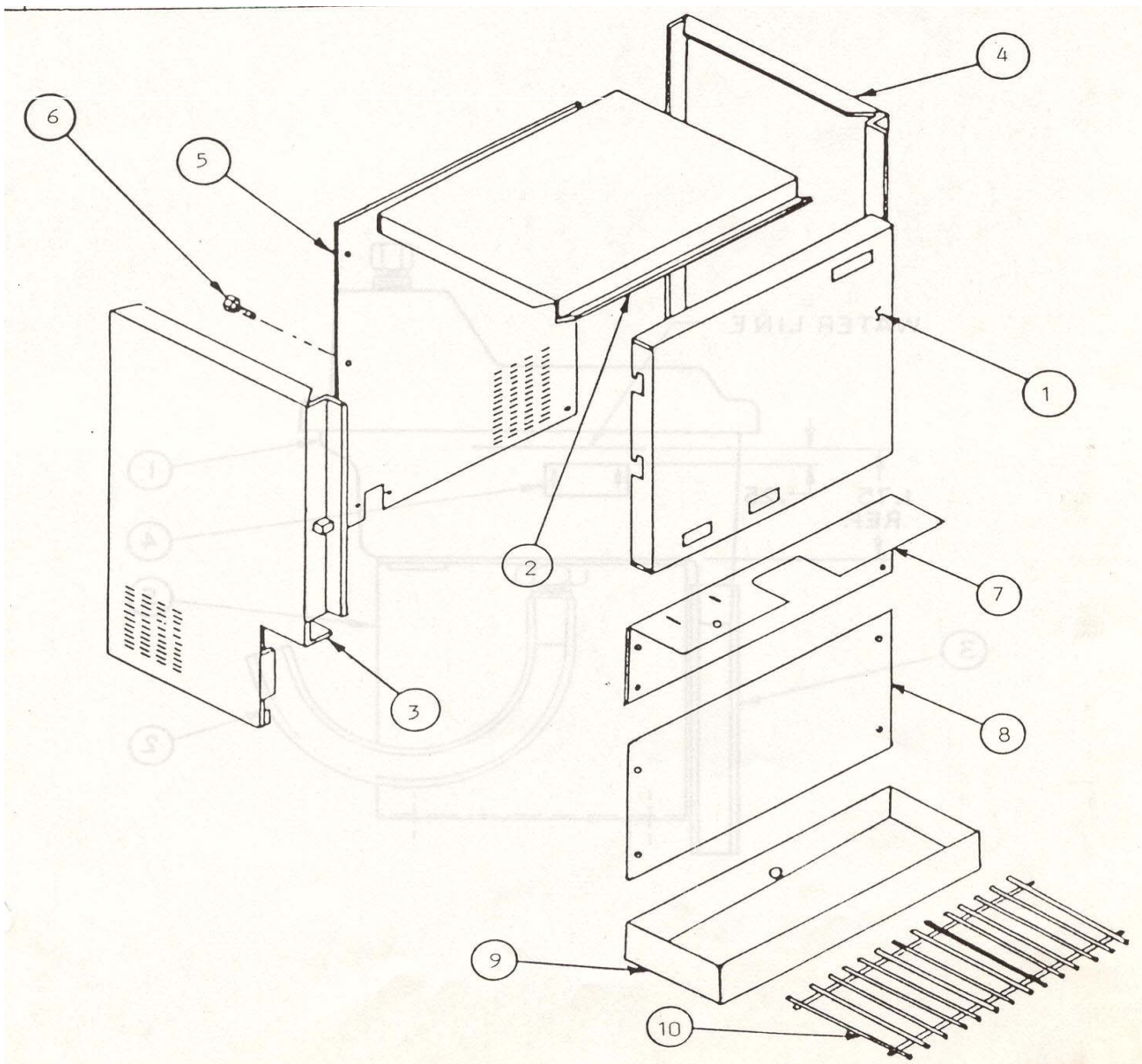
This parts list contains the service parts available for the EFD300A Counter Top Flaker Dispenser. Check the model number on the data plate and refer to the correct listing for the specific component. Check carefully that the correct part is identified and ordered.

Table of Contents

Section	Page
Exterior Panels	2 - 3
Float Valve Assembly	4
Water Supply to Station	5
Gear Motor and Evaporator Assembly	6-7
Bin and Dispenser Assembly	8 - 9
Control Box Assembly	10-11
Compressor and Refrigerant Controls	12
Condenser and Fan Motor Assembly	13

**EFD300A Counter Top Flaker
Dispenser Service Parts**

Exterior Panels



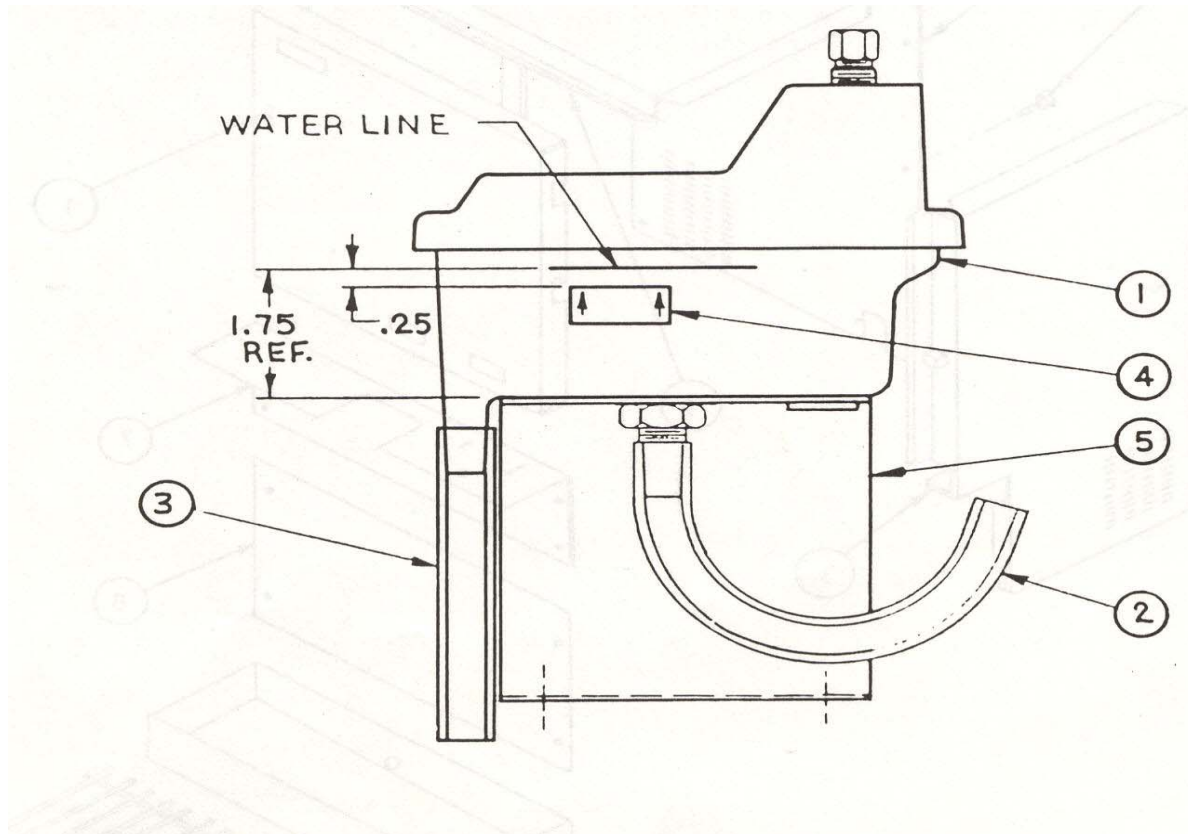
**EFD300A Counter Top Flaker
Dispenser Service Parts**

Exterior Panels

Item Number	Description	Part number
1	Panel, Front	2101294-01
2	Panel, Top	3021834-01
3	Panel, Left Side	3021832-01
4	Panel, Right Side	3021833-01
5	Panel, Rear	3021835-01
6	Rear Panel Screws	9031046-17
7	Panel, Back Splash, Upper	3013010-01
8	Panel, Back Splash, Lower	3013011-01
9	Drain Tray	2021553-01
10	Drain Rack	3013013-01

**EFD300A Counter Top Flaker
Dispenser Service Parts**

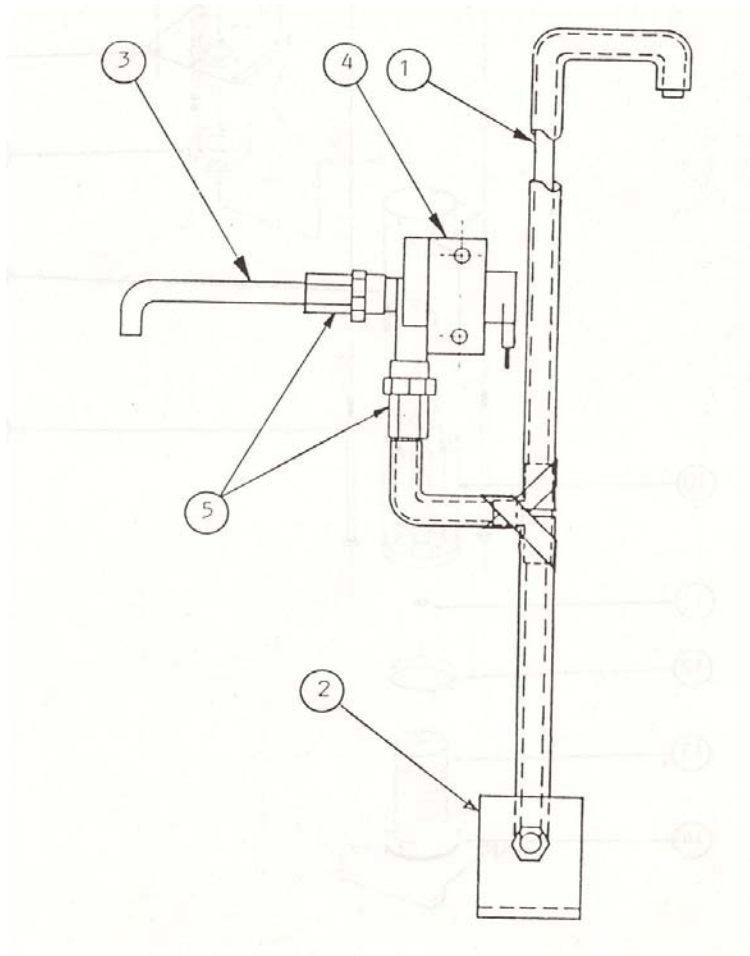
Float Valve Assembly



Item Number	Description	Part number
1	Float Assembly	9131032-01
2	Evaporator Inlet Tube (25.0 Inches Required)	6021015-08
3	Overflow Tube (26.0 Inches Required)	6021015-08
4	Decal, Float Adjustment	9071990-01
5	Bracket, Float Assembly	3012996-01

**EFD300A Counter Top Flaker
Dispenser Service Parts**

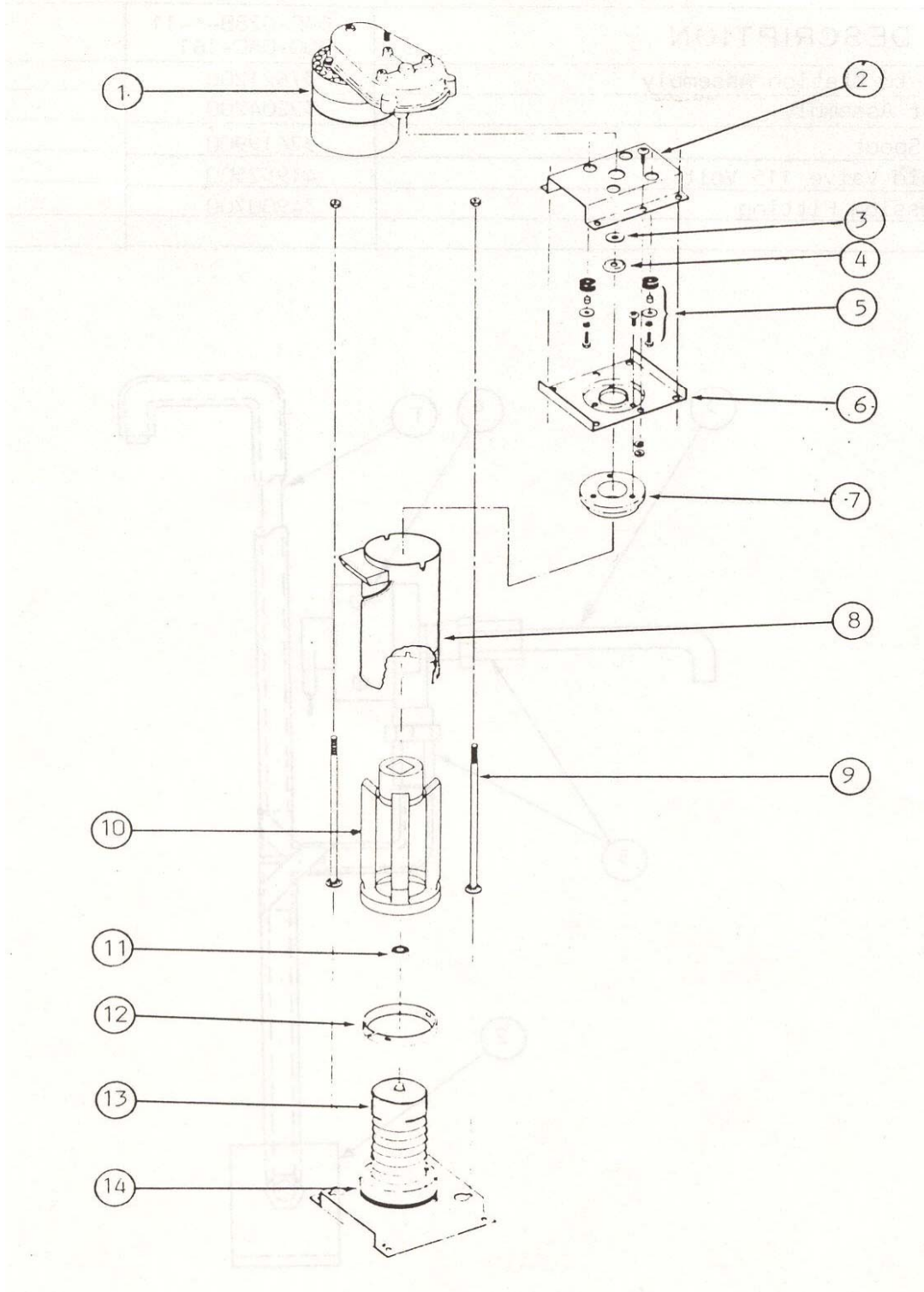
Water Supply to Station



Item Number	Description	Part number
1	Tube Assembly, Supply To Station	2041746-01
2	Water Inlet Mounting Plate	3013006-01
3	Water Spout	3032801-01
4	Valve, Solenoid	9041089-01
5	Fittings, Compression	9091124-01

**EFD300A Counter Top Flaker
Dispenser Service Parts**

**Gearmotor and
Evaporator Assmbly**



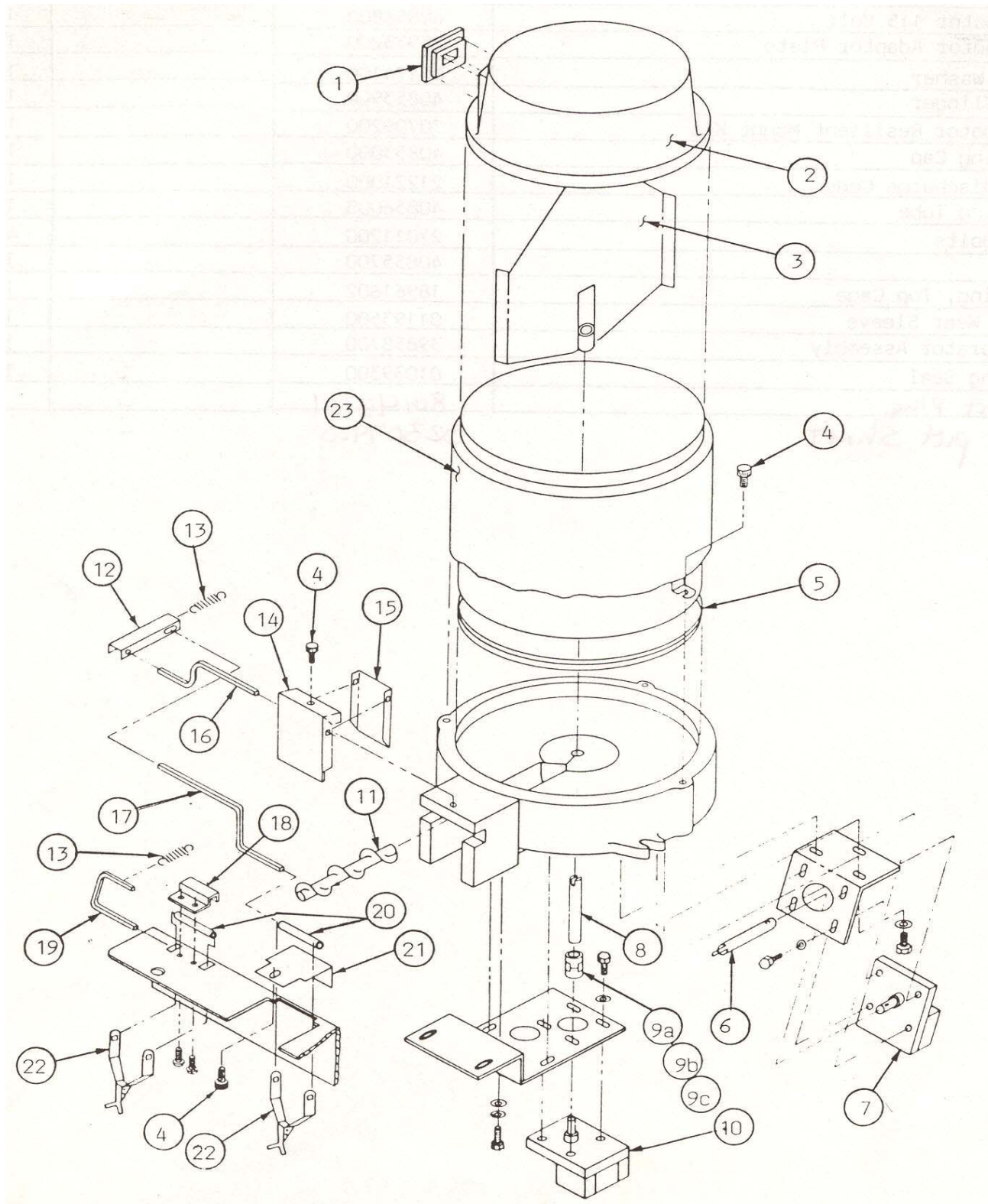
**EFD300A Counter Top Flaker
Dispenser Service Parts**

**Gearmotor and
Evaporator Assmby**

Item Number	Description	Part number	
1	Gearmotor Assembly	9161115-01	
2	Gearmotor Support Bracket	9201073-01	
4	Oil Slinger	9131388-01	
5	Gearmotor Mounting Fastners		
	Bolt, 1/4-20 x 7/8	9031001-38	(Qty 4)
	Lockwasher, 1/4 External Tooth	9031042-06	(Qty 4)
	Nut, 1/4 Self-Lock Flanged	9031005-01	(Qty 4)
	Spacer, Brass	9121046-01	(Qty 4)
	Grommet, 3/8	9051002-15	(Qty 4)
	Washer, .255 ID x 1.000 OD	9031004-02	(Qty 4)
6	Housing Cap	2051217-01	
7	Ice Discharge Cone	9051480-01	
8	Housing Tube	2101336-01	
9	Brace, Evaporator Side (Tie Bolts)	3013022-01	
10	Cage	2051218-01	
11	Bearing, Top Cage	9121001-08	
12	Cage Wear Sleeve (Lower)	9121044-01	
13	Evaporator Assembly	9131390-91	
14	O-Ring Seal	9131009-14	

EFD300A Counter Top Flaker Dispenser Service Parts

Bin and Dispenser Assembly



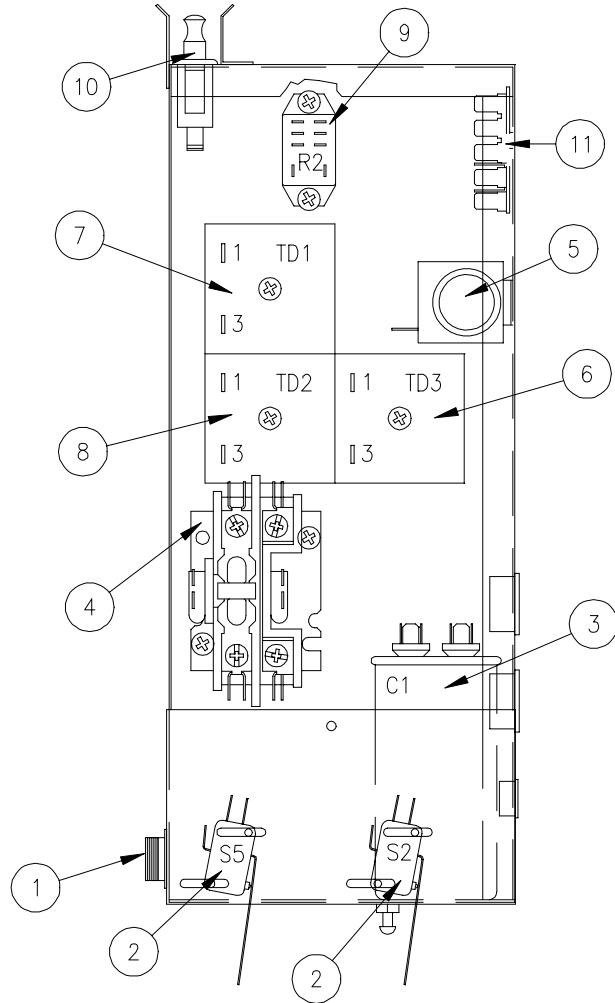
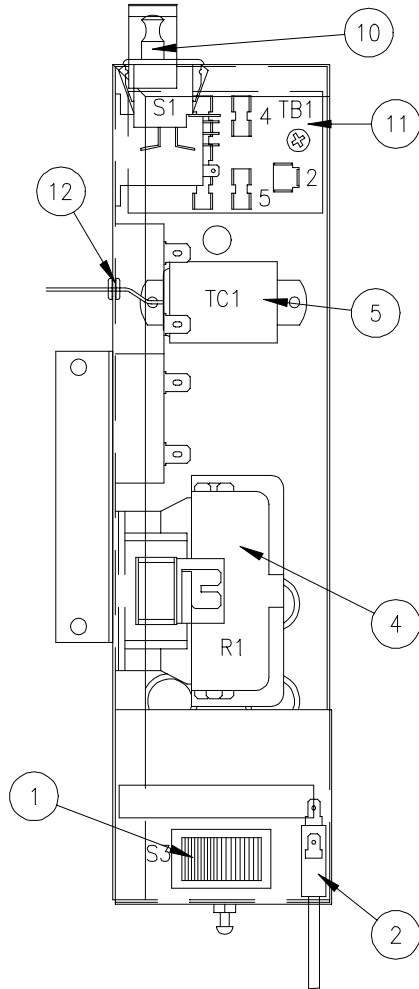
**EFD300A Counter Top Flaker
Dispenser Service Parts**

Bin and Dispenser Assembly

Item Number	Description	Part number
1	Adapter, Ice Chute	9051488-01
2	Cover, Bin Top	9051486-01
3	Agitator Blade Assembly	2021557-01
4	Thumbscrew	9031156-01
5	Bin Band	9051482-02
6	Auger Shaft	9131392-01
	Cotter Pin (Not Shown)	9031159-01
7	Auger Motor	9161113-01
8	Agitator Shaft	9131393-01
9a	Coupling Body (Upper)	9131398-01
9b	Coupling Spider	9131397-01
9c	Coupling Body (Lower)	9131399-01
10	Agitator Motor	9161114-01
11	Auger	9051487-01
12	Actuator Link	3013018-01
13	Spring, Extension	9021061-05
14	Spout Cover	3013013-01
15	Spout Closeout	3013000-01
16	Spout Closeout Rod	9131396-01
17	Actuating Rod	9131395-01
18	Actuator Clamp	3013001-01
19	Actuator Rod	9131394-01
20	Actuator Tube (.21 ft)	6021002-01
21	Actuator Clamp	3013012-01
22	Actuator Arm Assembly	2101296-01
23	Bin Insulation	2021556-01

EFD300A Counter Top Flaker Dispenser Service Parts

Control Box



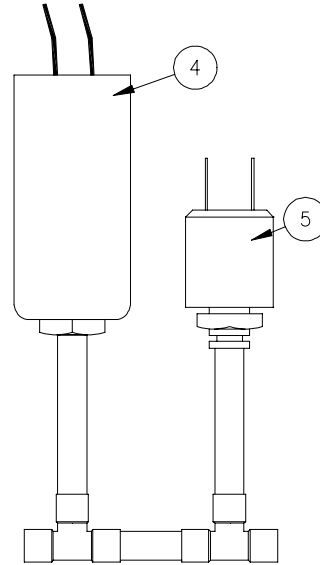
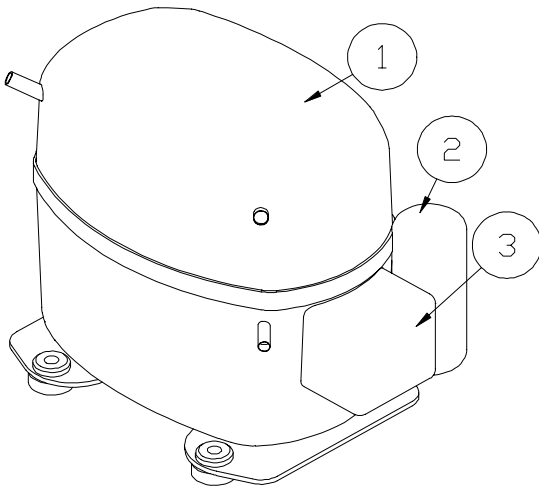
**EFD300A Counter Top Flaker
Dispenser Service Parts**

Control Box

Item Number	Description	Part number
1	Switch, Manual	9101139-04
2	Switch, Micro	9101145-04
3	Capacitor, Gearmotor	9101036-09
4	Contactor, Single Pole	9101002-07
5	Bin Control Thermostat	9041004-08
6	Timer, Delay 80 Second	9101298-01
7	Timer, Delay 10 Second	9101298-03
8	Timer, Delay 20 Second	9101298-05
9	Relay, Control	9101305-02
10	Switch, Interlock	9101303-01
11	Terminal Board	9101304-01
12	Grommet, .125 ID	9051002-14

EFD300A Counter Top Flaker Dispenser Service Parts

Compressor and Refrigerant Controls

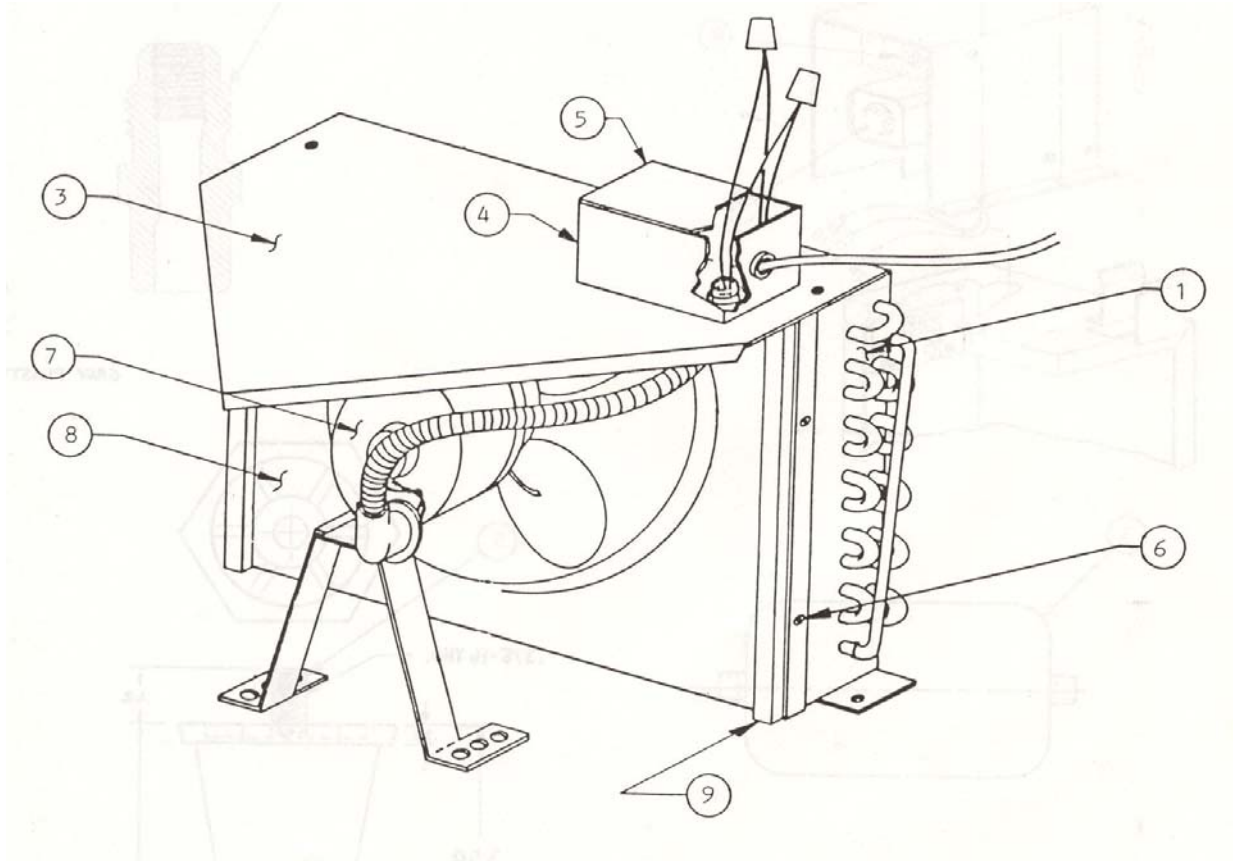


Item Number	Description	Part number
1	Compressor Kit	9181118-11
2	Start Capacitor	9181003-24
3	Compressor Relay	9181004-18
4	Fan Cycle Control	9041090-02
5	High Pressure Safety Control	9041091-03
	Filter Drier (Not Shown)	9151004-02
	Hot Gas Valve Body (Not Shown)	9151115-02
	Hot Gas Valve Coil (Not Shown)	9151116-01

Note: The Compressor Kit includes the compressor, filter drier, compressor relay and compressor start capacitor.

**EFD300A Counter Top Flaker
Dispenser Service Parts**

**Condenser and
Fan Motor Assembly**



Item Number	Description	Part number
1	Condenser	9141115-01
3	Coil Block Off	3013017-01
4	Junction Box	9021002-03
5	Junction Box Cover	9021002-04
6	Screw #10 x 1/2	9031046-01
7	Fan Motor	9161112-01
	Fan Blade	9131384-04
8	Fan Shroud	9201074-01
9	Gasket (24 Inches)	6041019-03