

16.0 UNDERCOUNTER CUBERS EUC150B2 EUC200B3-EUC200-UC20B-UC20 AIR AND WATER COOLED

Item Code	Part Description	Part Number	GRP	EUC 150	EUC 200B3	EUC 200	EUC 206	UC 20B	UC 20
AIR COOLED									
5	Air Condenser	9141081-01	AC	X	X	X	X		
5	Air Condenser	9141051-01	AC					X	X
10	Fan Blade	NLA	AC			X	X	X	
10	Fan Blade (50 Degree Pitch) (After 3-1-99)	9131370-01	AC		X				
10	Fan Blade	NLA	AC						
15	Fan Motor 115V	9161028-01	AC	X		X		X	X
15	Fan Motor 115V (After 3-1-99)	9161112-01	AC		X				
15	Fan Motor 230V	9161104-01	AC				X		
15	Fan Motor 230V (After 3-1-99)	9161112-02	AC				X		
20	Fan Bracket	9131054-02	AC			X	X	X	
20	Fan Bracket (After 3-1-99)	3012869-01	AC	X	X		X		
25	Fan Shroud	NLA	AC			X	X	X	
25	Fan Shroud	NLA	AC	X	X		X		
30	High Pressure Safety Control	9041095-01	AC	X	X				
30	High Pressure Safety Control (350 PSI)	9041095-02	AC			X	X	X	X
COMPRESSOR AND COMPONENTS (*Kit Includes Drier and Start Components)									
100	*Compressor Kit - DANFOSS 115V	9181084-11	C			X			
100	*Compressor Kit - DANFOSS 230V	9181084-13	C				X		
100	*Compressor Kit - DANFOSS 115V	NLA	C					X	X
100	*Compressor Kit - TECUMSEH 115V	9181113-11	C		X				
100	Compressor	9181115-01	C	X					
	Overload	9181005-29	C		X				
	Overload	9181005-33	C	X					
110	Start Capacitor 230V	9181003-27	C				X		
110	Start Capacitor 115V	9181003-24	C			X		X	
110	Start Capacitor 115V	9181003-35	C		X				
110	Start Capacitor 115V	9181003-36	C	X					
115	Start Relay 115V	9181004-22	C		X				
115	Start Relay 115V	9181004-18	C			X			
115	Start Relay 115V	9181004-24	C	X					
115	Start Relay 230V	9181004-15	C				X		
115	Start Relay 115V	9181004-08	C					X	X
ELECTRICAL									
205	Bin Control Thermostat	9041097-01	E	X	X	X	X	X	X
215	Terminal Board	9101037-01	E	X	X	X	X	X	
220	High Temp Safety Thermo Disk	9041087-03	E	X	X	X	X	X	X
225	Relay 115V	9101084-01	E	X	X	X		X	X
225	Relay 230V	9101084-02	E				X		
230	Relay Socket	9101083-01	E	X	X	X	X	X	X
245	Switch - On/Off/Wash (Toggle)	9101086-01	E					X	X
245	Switch - On/Off/Wash (Rocker)	9101195-01	E	X	X	X	X	X	
250	Switch - Purge (Metal)	9101056-02	E					X	X
250	Switch - Purge (Plastic Push Button)	9101125-01	E					X	X
250	Switch - Purge (Rocker)	9101139-03	E	X	X	X	X	X	
255	Timing Module	9101148-01	E	X	X	X	X	X	X
EVAPORATOR									
300	Evaporator Plastic Bottom	9051135-04	EV	X	X	X	X	X	X
305	Evaporator Plastic Side Panel LH	9051136-07	EV	X	X	X	X	X	X
310	Evaporator Plastic Side Panel RH	9051136-08	EV	X	X	X	X	X	X
315	Evaporator Plastic Top - Spillway	NLA	EV						X
315	Evaporator Plastic Top - Spillway	9051135-05	EV	X	X	X	X	X	
320	Evaporator Plate Assy - Full Cube	2051157-81	EV	X	X	X	X	X	X

15.0 UNDERCOUNTER CUBERS EUC150B2 EUC200B3-EUC200-UC20B-UC20 AIR AND WATER COOLED

Item Code	Part Description	Part Number	GRP	EUC 150	EUC 200B3	EUC 200	EUC 206	UC 20B	UC 20
EVAPORATOR (Continued)									
320	Evaporator Plate Assy - Half Cube	2051157-82	EV	X	X	X	X	X	X
HARVEST MOTOR ASSEMBLY									
900	Bushing - Large	9051001-13	HA	X	X	X	X	X	
900	Bushing - Small	NLA	HA					X	X
905	Clutch (Cam) 160 degree	9131190-01	HA	X	X	X	X	X	X
910	Connecting Rod	9051057-01	HA	X	X	X	X	X	X
915	Drip Shield	3012280-01	HA			X	X	X	
920	Harvest Motor Assy w/ .219 Shaft 115V	2061962-01S	HA	X	X	X		X	
920	Harvest Motor Assy w/ .219 Shaft 230V	2061962-02S	HA				X		
925	Hex Nut #10 (For 9131189-01)	9031005-03	HA	X	X	X	X	X	
925	Hex Nut (Swivel/Plastic Tip Shaft)	9031005-09	HA					X	X
930	Probe Motor 115V	9161030-01	HA	X	X	X		X	X
930	Probe Motor 230V	9161031-01	HA				X		
935	Probe Shaft 4.5 x .125 (PLASTIC TIP)	9021053-02	HA					X	X
935	Probe Shaft 4.5 x .219 Stainless Steel	9131189-01	HA	X	X	X	X	X	
935	Probe Shaft for 2061962-01S and -02S	9021102-01	HA	X	X	X	X	X	
940	Screw Shoulder - Rod/Clutch	9031119-01	HA	X	X	X	X	X	X
945	Screw #4 - 40 x 3/4 (Switch)	9031008-16	HA	X	X	X	X	X	
950	Screw #6 - 32 x 1/2 (Motor)	9031019-08	HA	X	X	X	X	X	
955	Speed Nut Plate	9031120-01	HA	X	X	X	X	X	
960	Switch Insulator (Micro)	3051145-01	HA	X	X	X	X	X	
965	Switch - Cam (Large)	9101023-01	HA					X	X
965	Switch - Cam (Micro)	9101160-01	HA	X	X	X	X	X	
970	Swivel for 9021053-02	9021017-01	HA					X	X
970	Swivel for 9131189-01	9021017-02	HA	X	X	X	X	X	
975	Washer - Clutch Plain #10	9031003-03	HA	X	X	X	X	X	X
MISCELLANEOUS									
435	Screw Retainer (Rubber Washer)	9031004-19	M	X	X	X	X	X	
440	Screw (Water Trough)	9031122-02	M	X	X	X	X		
445	Screw (Water Tube Assy)	9031122-01	M	X	X	X	X		
460	Ice Scoop - Large w/ Ice-O-Matic Logo	9051127-01	M	X	X			X	
460	Ice Scoop - Small w/ Ice-O-Matic Logo	9051127-02	M	X	X	X	X	X	
460	Ice Scoop - Small w/o Logo	NLA	M	X	X		X		
465	Legs - Set of Four 6"	9021001-03	M	X	X	X	X	X	
470	Water Tube Mounting Brackets	3011874-01	M			X	X	X	
PANELS									
	Paint Beige Touch-up (Spray Can)	NLA	P					X	X
	Paint Grey Touch-up (Spray Can)	NLA	P	X	X	X	X	X	
536	Top Panel, Stainless	2101408-01S	P	X	X	X	X	X	X
542	Rear Access Panel, Grey	NLA	P	X	X	X	X	X	
545	Bin Assembly w/ Drain	2101275-01S	P	X	X	X	X	X	X
550	Bin Door, Black	9051310-01	P	X	X	X	X	X	
550	Bin Door, Black (Must Replace Top Panel)	9051310-01	P						X
560	Front Grille	9051515-01	P	X	X	X	X	X	
570	Panel Insulation (Top Panel)	NLA	P			X	X	X	X
REFRIGERATION									
610	Expansion Valve (R134)	9151006-10	REF			X	X		
610	Expansion Valve (R-12)	9151020-01	REF					X	X
610	Expansion Valve (R404)	9151006-16	REF	X	X				
615	Drier-Filter	9151004-02	REF	X	X	X	X	X	X
625	Hot Gas Valve Body - ALCO	9151123-01	REF	X	X	X	X	X	X
630	Hot Gas Solenoid Coil - ALCO 115V	9151123-03	REF	X	X	X		X	X

17.0 UNDERCOUNTER CUBERS EUC150B2 EUC200B3-EUC200-UC20B-UC20 AIR AND WATER COOLED

Item Code	Part Description	Part Number	GRP	EUC 150	EUC 200B3	EUC 200	EUC 206	UC 20B	UC 20
REFRIGERATION (Continued)									
630	Hot Gas Solenoid Coil - ALCO 230V	9151123-04	REF				X		
635	Low Pressure Timer Initiate	9041094-101	REF	X	X	X	X	X	X
640	Service Valve Assy	2101160-01	REF			X	X	X	
WATER COOLED									
790	Water Condenser	9141022-01	WC	X	X	X	X	X	X
791	Water Condenser Drain Assy	NLA	WC			X	X	X	
791	Water Condenser Drain Fitting	NLA	WC	X	X				
792	High Pressure Safety Control (250 psi)	9041001-01	WC			X	X	X	X
792	High Pressure Safety Control	9041095-01	WC	X	X				
795	Water Regulator Valve	9041010-01	WC						X
795	Water Regulator Valve	9041059-01	WC	X	X	X	X	X	
WATER DISTRIBUTION									
800	Bin Drain Tube (.93 Ft Req)	6021015-07	WD			X	X	X	
800	Bin Drain Tube (1.125 Ft Req)	6021015-06	WD	X	X		X		
810	Drain Fitting Assy-Bin Drain	NLA	WD			X	X	X	
810	Drain Fitting -Bin Drain (After 3-1-99)	NLA	WD		X		X		
812	Drain Fitting Assy-Purge	NLA	WD			X	X	X	
812	Drain Fitting -Purge (After 3-1-99)	NLA	WD		X		X		
814	Drain Tray (Bin Drain)	NLA	WD					X	X
815	Purge Drain Tube (Valve To Fitting)	NLA	WD			X	X	X	
815	Purge Drain Tube (After 3-1-99)	9051280-05	WD		X		X		
820	Water Dist. Tube Assy.	NLA	WD				X	X	
820	Water Dist. Tube Assy. (After 3-1-99)	2041338-01	WD	X	X	X	X		
825	Water Pump Tube	9051142-02	WD			X	X	X	
830	Water Purge Drain Tube (3.5 ft. required)	6021015-06	WD			X	X	X	
835	Water Trough (With Thermal well)	2101151-01	WD	X	X	X	X	X	X
WATER FLOAT									
845	Water Float Assy w/ Fittings & Tube	NLA	WF			X	X	X	
	Tube Polyethylene .92 Ft (After 3-1-99)	6021032-01	WF	X	X		X		
	Drop Adapter Fitting (After 3-1-99)	9091074-01	WF		X		X		
	Water Inlet Fitting (After 3-1-99)	9091083-01	WF	X	X		X		
846	Water Float Valve Assy	9131153-01	WF			X	X	X	X
846	Water Float Valve Assy (After 3-1-99)	9131111-01	WF	X	X		X		
850	Water Float Deflector Cap	9131026-02	WF	X	X	X	X	X	
WATER PUMP									
875	Water Pump 115V	9161076-01	WP	X	X	X		X	X
875	Water Pump 230V	9161076-02	WP				X		
WATER PURGE VALVE									
880	Water Purge Valve Assy 70025-64	NLA	WPV					X	X
880	Water Purge Valve Assy 70025-67	9041014-08	WPV	X	X	X		X	X
880	Water Purge Valve Assy 70025-68	9041014-09	WPV				X		
880	Water Purge Valve Assy 70024-60	9041053-01	WPV					X	
890	Water Purge Valve Coil 115V	9041014-90	WPV			X		X	X
890	Water Purge Valve Coil 230V	9041014-91	WPV				X		

REFRIGERANT CHARGE		
MODEL	REF TYPE	OZ.
UC20 AIR	R12	14
UC20 WATER	R12	13
EUC200 AIR	R134a	14
EUC200 WATER	R134a	11
EUC150 AIR	R404a	13
EUC150 WATER	R404a	10
EUC200 AIR	R404a	13
EUC200 WATER	R404a	9

PRESSURES		
LP	DP	HP
15		350
15	125	250
15		350
15	125	250
46		450
46	250	450
42		450
40	250	450

LP=LOW PRESSURE/TIMER INITIATE CONTROL SETTING

DP=DISCHARGE PRESSURE SETTING/WATER COOLED CUBERS

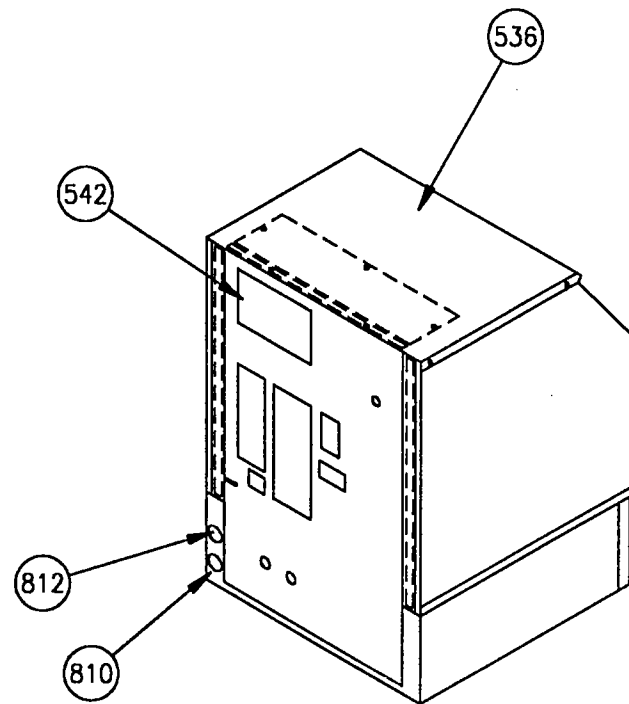
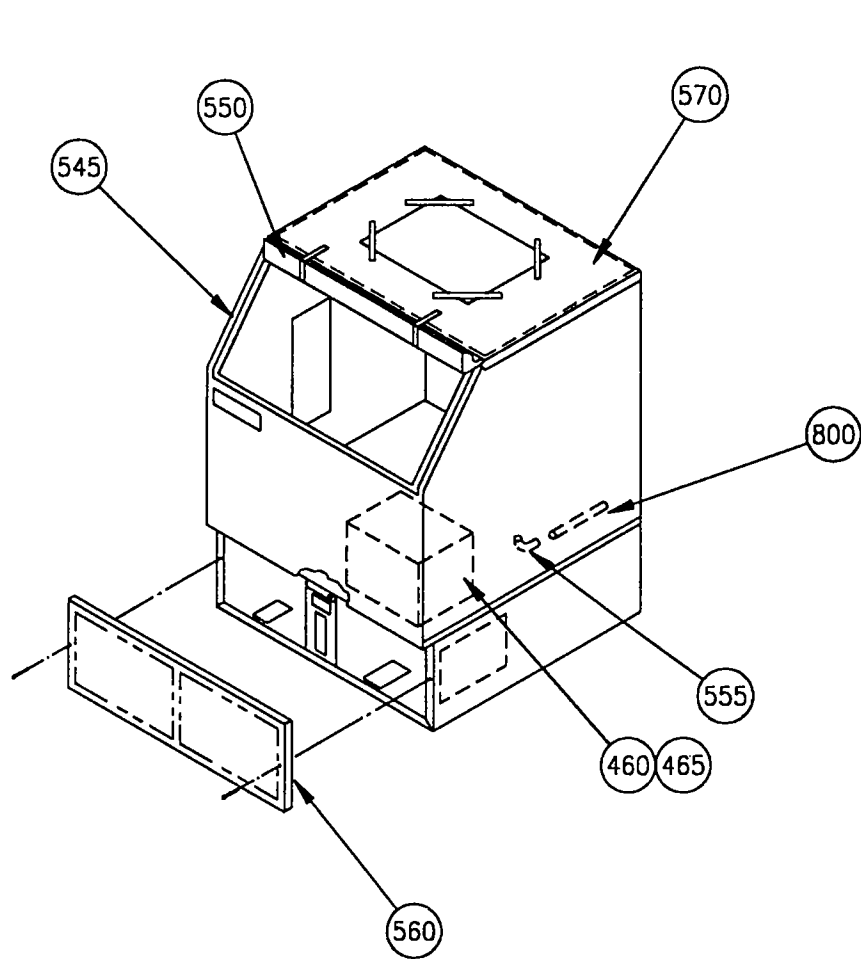
HP=HIGH PRESSURE SAFETY CONTROL SETTING

16.1 UNDERCOUNTER CUBERS EUC205-UC25B-UC25 AIR AND WATER COOLED

Item Code	Part Description	Part Number	GRP	EUC 205	UC 25B	UC 25
Shaded Item Code indicates updated information						
AIR COOLED						
15	Fan Motor 230V (After 3-1-99)	9161112-02	AC	X		
15	Fan Motor 230V	9161104-01	AC	X	X	X
COMPRESSOR AND COMPONENTS (*Kit Includes Drier and Start Components)						
100	*Compressor Kit - DANFOSS 230V	9181084-12	C	X		
100	*Compressor Kit- DANFOSS 230V	NLA	C		X	X
100	*Compressor Kit- (After 3-1-99)	9181084-13	C	X		
110	Start Capacitor 230V	9181003-27	C	X		
110	Start Capacitor 230V	NLA	C		X	X
110	Start Capacitor 230V (After 3-1-99)	9181003-27	C	X		
115	Start Relay 230V (After 3-1-99)	9181004-15	C	X		
115	Start Relay 230V	NLA	C	X		
115	Start Relay 230V	NLA	C		X	X
ELECTRICAL						
225	Relay 230V	9101084-02	E	X	X	X
HARVEST MOTOR ASSEMBLY						
920	Harvest Motor Assy w/ .219 Shaft 230V	2061962-02S	HA	X	X	
930	Probe Motor 230V	9161031-01	HA	X	X	X
REFRIGERATION						
625	Hot Gas Valve Body - ALCO	9151123-01	REF	X	X	X
630	Hot Gas Solenoid Coil - ALCO 230V	9151123-04	REF	X	X	X
WATER PUMP						
875	Water Pump 230V	9161076-02	WP	X	X	X
WATER PURGE VALVE						
880	Water Purge Valve Assy 70025-65	NLA	WPV		X	X
880	Water Purge Valve Assy 70025-68	9041014-09	WPV	X	X	X
880	Water Purge Valve Assy 70024-61	9041053-02	WPV		X	
890	Water Purge Valve Coil 230V	9041014-91	WPV	X	X	X

REFRIGERANT CHARGE			PRESSURES		
MODEL	REF TYPE	OZ.	LP	DP	HP
UC25 AIR	R12	14	13		350
UC25 WATER	R12	13	13	125	250
EUC205 AIR	R134a	12	15		350
EUC205 WATER	R134a	11	15	125	250

LP=LOW PRESSURE/TIMER INITIATE CONTROL SETTING
 DP=DISCHARGE PRESSURE SETTING/WATER COOLED CUBERS
 HP=HIGH PRESSURE SAFETY CONTROL SETTING

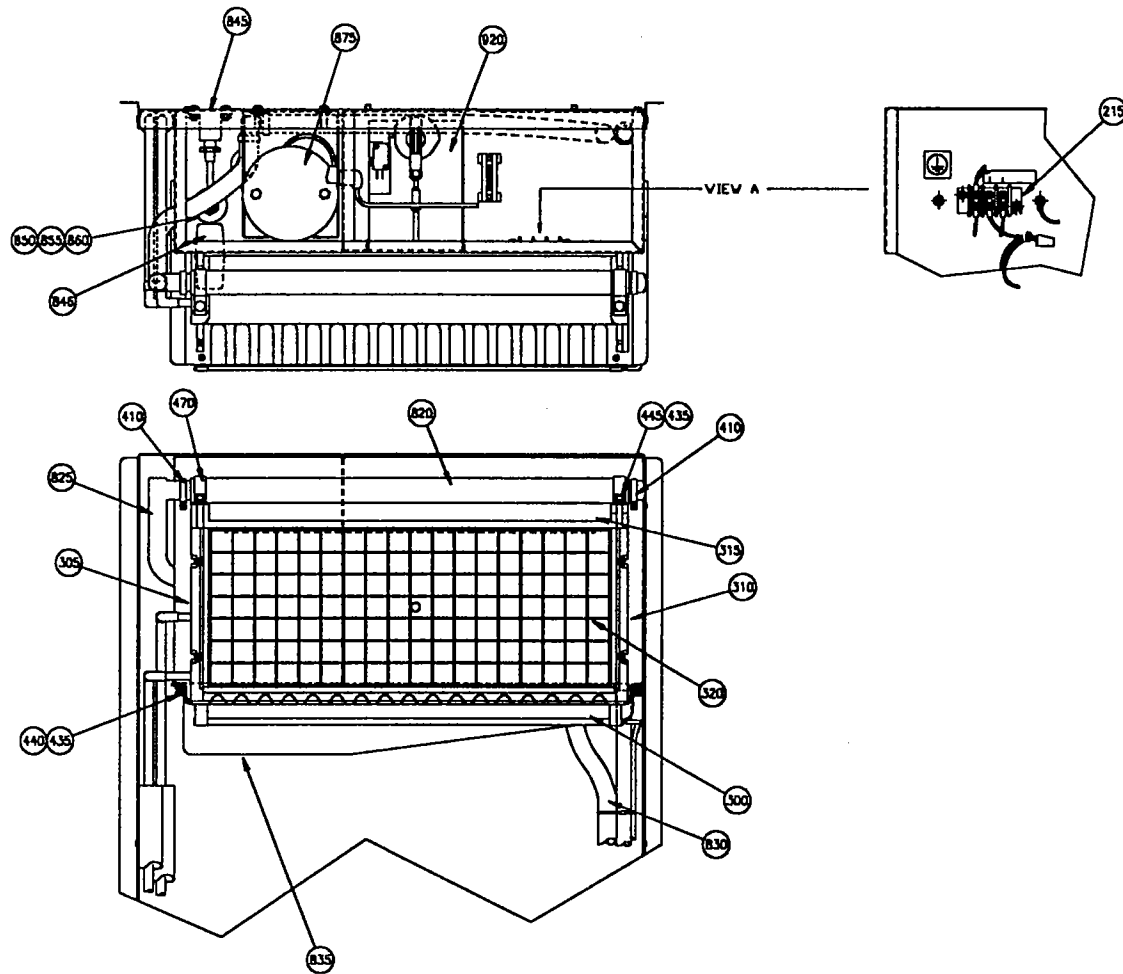


MODEL: EUC200 A/W/R STARBUCKS
 RESISTED CONFIDENTIAL DOCUMENT
 This drawing and all information herein are the property of the
 ICE-O-MATIC COMPANY and are not to be
 reproduced in any form without the written
 consent of ICE-O-MATIC COMPANY. The
 drawings are for reference only and do not
 constitute a contract. The manufacturer
 reserves the right to change the design
 without notice.
 ICE-O-MATIC COMPANY
 10000 W. 10th Ave. Denver, CO 80202
 (303) 751-1000

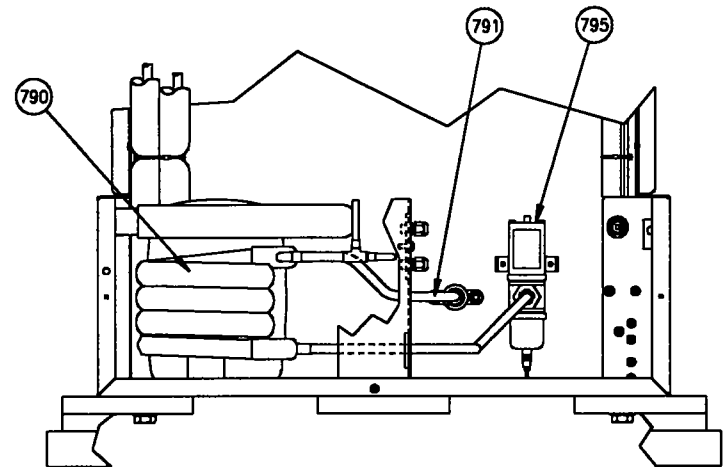
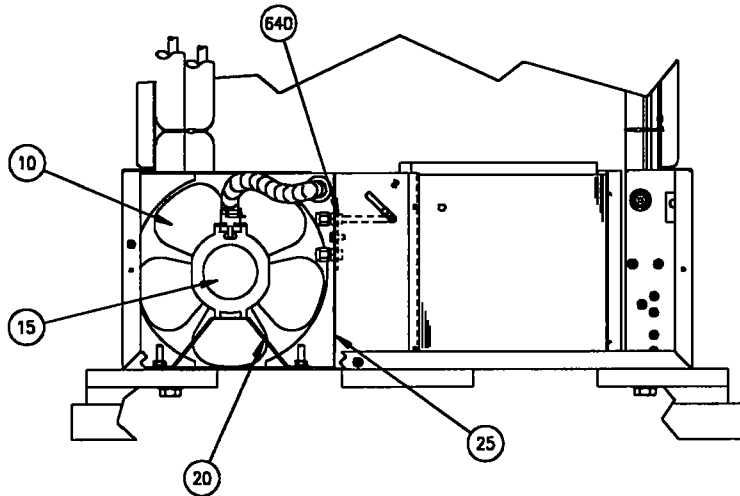
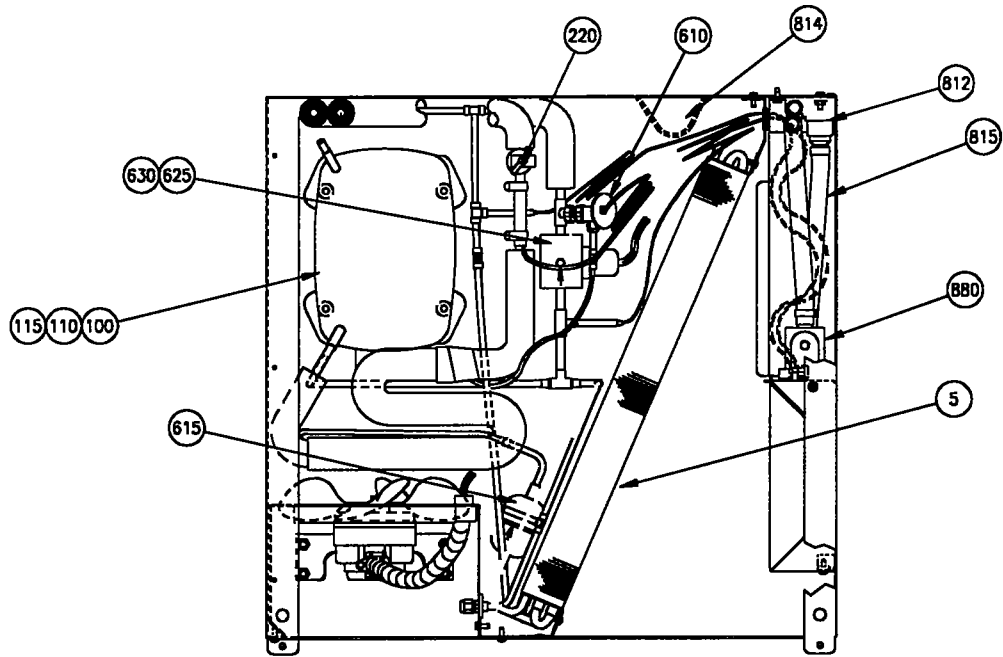
ICE-O-MATIC
 A ZEPHYRUS COMPANY

TYPE: PANEL ASSEMBLY

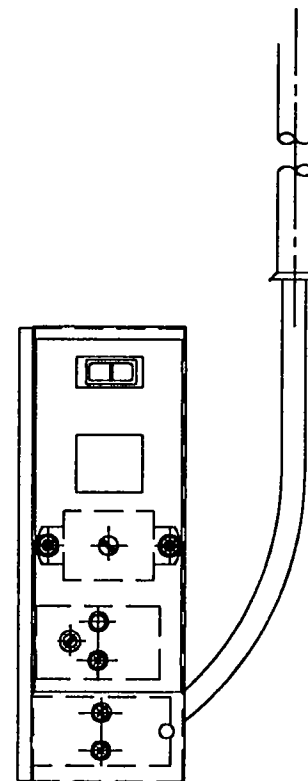
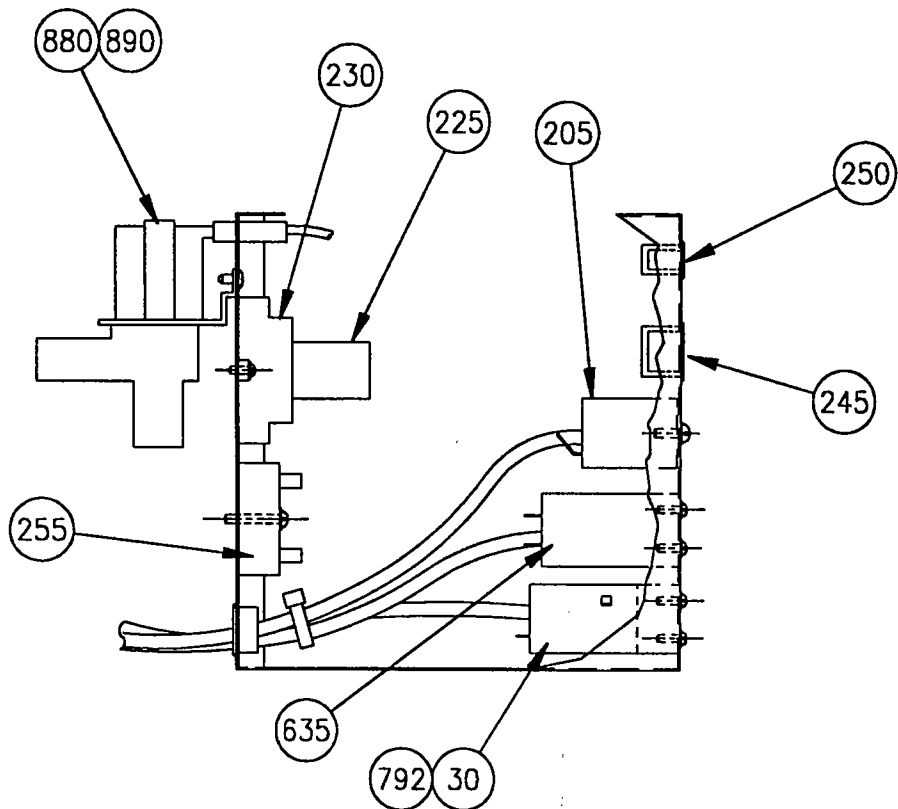
SCALE: 1=1
 DATE: 11/94
 DRAWN BY: DJE
 EUC200-1



MODEL: EUC200 A/W RESTRICTED, CONFIDENTIAL DOCUMENT <small>This drawing and all information thereon are the exclusive property of the ICI Corporation. No part of this drawing may be reproduced or transmitted in any form or by any means, electronic or mechanical, including photocopying, recording, or by any information storage and retrieval system, without the prior written permission of ICI Corporation. For more information, contact ICI Corporation, P.O. Box 1000, Wilmington, Delaware 19880.</small>		ICE-O-MATIC <small>ICE-O-MATIC Division</small> CHASSIS ASSEMBLY
1 of 1 1 of 1	EUC200-2	



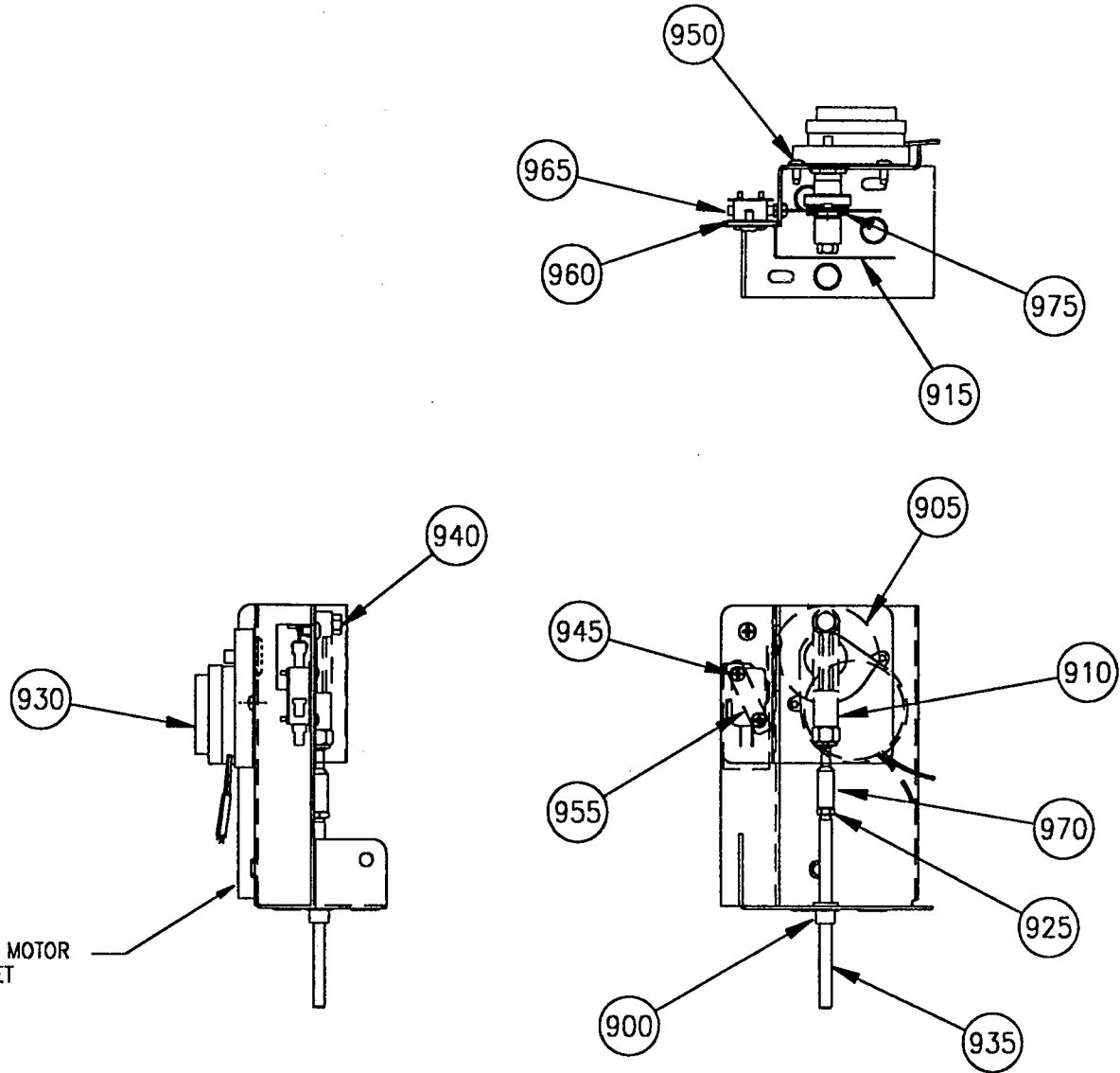
MODEL: EUC200 A/E
 RESTRICTED, CONFIDENTIAL DOCUMENT
 This drawing and all information shown herein are the exclusive property of the Ice-O-Matic Company and its subsidiaries. It is to be used only for the purpose of manufacturing and to reproduce the product in relation to this model or its derivatives. It is not to be used for any other purpose without the written consent of the Ice-O-Matic Company.
ICE-O-MATIC
 A KAMAY COMPANY
 TITLE: CHASSIS ASSEMBLY
 SCALE: 1" = 1" (1/8")
 SHEET NO.: 1 OF 1
 DATE: 10/78
 EUC200-2



CONTROL BOX ASSEMBLY

MODEL: EUC200 A/W STAIRBUCKS	
RESTRICTED, CONFIDENTIAL DOCUMENT	
<small>This drawing and all information shown hereon are the exclusive property of the ICI, Inc. and its subsidiaries and are not to be used for any other purpose without the written consent of the ICI, Inc. and its subsidiaries. This drawing is to be used only as a guide for the construction of the product and does not constitute a contract. The manufacturer of the product shall be responsible for the accuracy of the information shown hereon and for the proper interpretation of the drawing. The ICI, Inc. and its subsidiaries assume no liability for any errors or omissions in this drawing or for any damage or loss resulting from the use of this drawing.</small>	
ICE-O-MATIC	
A PARKWAY COMPANY	
DETAIL ASSEMBLIES	
SCALE: 1-1	DATE: 4-6-4 1964
EUC200-3	

PROBE MOTOR
BRACKET



HARVEST PROBE ASSEMBLY

<small>NOTES: REFER TO COMPONENTS SECTION This drawing and all information contained herein are the property of the Ice-O-Matic Corporation and are not to be reproduced or transmitted in any form or by any means without the written permission of the Ice-O-Matic Corporation. All rights reserved. © 1978 Ice-O-Matic Corporation, Probasco, Inc.</small>		ICE-O-MATIC A Division of PROBASCO, INC.
PROBE ASSEMBLY		
1-1	10/1/78	PROBASCO