

30 F/MF SERIES FLAKERS MF400-MF700-MF1006 AIR, WATER AND REMOTE

Item Code	Part Description	Part No.	GRP	F/MF	F/MF	F/MF
				400	700	1006
AIR COOLED						
5	Air Condenser	9141017-01	AC		X	
5	Air Condenser	9141046-01	AC			X
5	Air Condenser	NLA	AC	X		
10	Fan Blade	9131133-01	AC	X	X	
10	Fan Blade	9131204-01	AC			X
15	Fan Motor Bracket	9131054-01	AC	X	X	X
20	Fan Motor	9161027-01	AC			X
20	Fan Motor	9161045-04	AC	X	X	
25	Fan Shroud	NLA	AC	X	X	
25	Fan Shroud (After 10/92)	NLA	AC			X
25	Fan Shroud (Before 10/92)	NLA	AC			X
30	Fan Shroud -Push Rivet	NLA	AC	X	X	X
AUGER MOTOR KITS						
100	Auger Motor 1/2" Shaft (Replaced by Kit)	1051068-03	AMK	X		
100	Auger Motor 1/2" Shaft (Replaced by Kit)	1051068-05	AMK		X	
100	Auger Motor 1/2" Shaft (Replaced by Kit)	1051068-07	AMK			X
KIT INCLUDES AUGER MOTOR WITH 5/8 KEYED SHAFT-PULLEY AND KEY						
AUGER MOTOR						
105	Key - Motor 5/8" Shaft	9021028-01	AM	X	X	X
110	Auger Motor 5/8" Shaft	9161093-01	AM	X	X	
110	Auger Motor 5/8" Shaft	9161096-01	AM			X
110	Auger Motor 1/2" Shaft	USE KITS	AM	X	X	X
COUPLER						
115	Coupler Assy (5/8 x 5/8) (ED 13 Gearbox)	2081012-03	CLP	X	X	
115	Coupler Assy (3/4 x 3/4) (ED 18 Gearbox)	2081012-05	CLP			X
120	Coupler Lower Half (ED 13 Gear Reducer)	9111012-91	CLP	X		
120	Coupler Lower Half (ED 18 Gear Reducer)	9111004-92	CLP		X	X
125	Coupler Upper Half (Keyed Auger)	9111004-92	CLP			X
125	Coupler Upper Half (Keyed Auger)	9111012-91	CLP	X	X	
125	Coupler Upper Half (Double D)	9111004-90	CLP			X
130	Coupler - Spyder Gear	9111004-91	CLP	X	X	X
135	Set Screw - Coupler	9031033-09	CLP	X	X	X
COMPRESSOR AND COMPONENTS (*Kit Includes Drier and Start Components)						
200	*Compressor Kit - COPE RSU5-0050-IAA	NLA	C		X	
200	*Compressor Kit - COPE RSN4-0075-CAV	NLA	C			X
200	*Compressor Kit - TECU 115V	9181062-11	C	X		
205	Overload	9181005-12	C		X	
205	Overload COPELAND 071-0329-16	NLA	C			X
205	Overload TECUMSEH 8300MRD88	NLA	C	X		
205	Overload TECUMSEH 8300MSPD91	NLA	C			
210	Run Capacitor	9181009-08	C			X
210	Run Capacitor	9181009-09	C			
215	Start Capacitor	9181003-08	C			X
215	Start Capacitor COPE 270-324@110V	NLA	C		X	
215	Start Capacitor	9181003-15	C	X		
215	Start Capacitor	9181003-16	C			
220	Start Relay	9181004-10	C	X		
220	Start Relay	9181004-03	C		X	
220	Start Relay	9181010-04	C			X
220	Start Relay	9181004-11	C			

30 F/MF SERIES FLAKERS MF400-MF700-MF1006 AIR, WATER AND REMOTE

Item Code	Part Description	Part No.	GRP	F/MF	F/MF	F/MF
				400	700	1006
MF DOWN CHUTE-STAINLESS STEEL SQUARE FOAMED						
405	Down Chute Assy (Square Foamed)	NLA	DC	X	X	X
410	Down Chute	NLA	DC	X	X	X
415	Damper Door	NLA	DC	X	X	X
420	Damper Door Cover	NLA	DC	X	X	X
425	Switch Mounting Plate	NLA	DC	X	X	X
430	Switch Mounting Plate Insulator	3051131-01	DC	X	X	X
435	Switch Insulator	3051130-01	DC	X	X	X
440	Switch	9101114-01	DC	X	X	X
445	Switch Actuator Blade	9101114-02	DC	X	X	X
450	Screw-Switch Mounting 6-32 x 7/8	9031008-29	DC	X	X	X
ELECTRICAL						
230	Low Temp Safety Control	9041002-01	E	X	X	X
	Bin Thermostat - F Series	9041004-01	E	X	X	X
	Bin Thermostat - MF Series	9041004-02	E	X	X	X
240	Switch Toggle - On/Off	9101001-02	E	X	X	X
245	Contactora - 1 Pole 115V	9101002-03	E	X	X	
245	Contactora - 1 Pole 230V	9101002-04	E			X
250	Terminal Board - A & W	9101037-01	E	X	X	X
260	Timer Delay Module 115V	9101148-01	E		X	
260	Timer Delay Module 230V	9101148-01	E			X
265	Relay-Auger Motor 115V	9101170-01	E	X	X	
265	Relay-Auger Motor 230V	9101170-02	E			X
EVAPORATOR REPLACEMENT KITS 2.5 INCH						
326	Service Kit-Barrel Assy Replacement*	1051046-02	EVK	X		
325	Service Kit-Evap Assy Replacement**	1051047-02	EVK	X		
326	Service Kit-Barrel Assy Replacement*	1051047-02	EVK		X	
325	Service Kit-Evap Assy Replacement**	1051046-02	EVK		X	
	*Includes TXV, Tubing & Wrapped Evap Barrel Without Auger/Housing Assy					
	**Includes TXV, Tubing & Wrapped Evap Assy With Auger/Housing Assy					
EVAPORATOR 2.5 INCH						
	Bearings, Water Seal, Nut and O-Ring Kit	1051111-02	EV	X	X	
300	Auger	9131012-01	EV	X	X	
305	Bearing & Housing Assembly - Lower	2051028-01	EV	X	X	
310	Bearing & Housing Assembly - Upper	2051160-01	EV	X	X	
315	Bearing - Lower	9121001-06	EV	X	X	
320	Bearing-Upper (Tapered Roller-In Kit)	9121039-02	EV	X	X	
321	Upper Bearing Replacement Kit (Tapered)	1051039-02	EV	X	X	
322	Bearing Spacer (In Kit)	9031117-02	EV	X	X	
326	Evaporator Barrel With Expansion Valve*	Use Service Kit	EV	X	X	
325	Evaporator Assy With Expansion Valve**	Use Service Kit	EV	X	X	
325	Evaporator Assy With AXV	1051046-02	EV		X	
325	Evaporator Assy With AXV	1051054-01	EV	X		
326	Evaporator Barrel With AXV	1051047-02	EV		X	
326	Evaporator Barrel With AXV	1051053-01	EV	X		
335	Evaporator Cap	3011011-01	EV	X	X	
340	Gasket-Evaporator To Ice Chute	9051011-01	EV	X	X	
345	Hex Bolt	9031001-01	EV	X	X	
350	Housing - Lower Bearing	9131220-01	EV	X	X	
355	Housing - Upper Bearing	9131219-01	EV	X	X	
360	Locating Pin (Upper Housing)	9131010-01	EV	X	X	
365	O-Ring - Lower Housing	9131009-08	EV	X	X	
370	O-Ring - Upper Housing	9131009-03	EV	X	X	

30 F/MF SERIES FLAKERS MF400-MF700-MF1006 AIR, WATER AND REMOTE

Item Code	Part Description	Part No.	GRP	F/MF	F/MF	F/MF
				400	700	1006
EVAPORATOR 2.5 INCH (Continued)						
375	Retaining Nut - Upper or Lower	9131207-01	EV	X	X	
380	Set Screw (Lower Nut)	9031033-03	EV	X	X	
395	Washer	9031004-09	EV	X	X	
390	Water Seal & Face Assy	9121026-91	EV	X	X	
EVAPORATOR REPLACEMENT KITS 3 INCH						
326	Service Kit-Barrel Assy Replacement*	1051047-01	EVK			X
325	Service Kit-Evap Assy Replacement**	1051046-01	EVK			X
*Includes TXV, Tubing & Wrapped Evap Barrel Without Auger/Housing Assy						
**Includes TXV, Tubing & Wrapped Evap Assy With Auger/Housing Assy						
EVAPORATOR 3 INCH						
	Bearings, Water Seal, Nut and O-Ring Kit	1051111-01	EV			X
300	Auger (Keyed)	9131283-01	EV			X
300	Auger Kit (KEYED AUGER AND COUPLER)	1051071-01	EV			X
305	Bearing Housing Assembly Lower	2051029-01	EV			X
310	Bearing Housing Assembly Upper	2051159-01	EV			X
315	Bearing - Lower	9121001-05	EV			X
320	Bearing-Upper (Tapered Roller)	9121039-01	EV			X
321	Upper Bearing Replacement Kit (Tapered)	1051039-01	EV			X
322	Bearing Spacer (In Kit)	9031117-01	EV			X
326	Evaporator Barrel With Expansion Valve*	Use Service Kit	EV			X
325	Evaporator With Expansion Valve**	Use Service Kit	EV			X
325	Evaporator Assy With AXV	Use Service Kit	EV			X
326	Evaporator Barrel With AXV	2051163-91	EV			X
335	Evaporator Cap	3011012-01	EV			X
340	Gasket-Evaporator To Ice Chute	9051012-01	EV			X
345	Hex Bolt	9031001-01	EV			X
350	Housing - Lower Bearing	9131218-01	EV			X
355	Housing - Upper Bearing	9131217-01	EV			X
360	Locating Pin (Upper Housing)	9131010-02	EV			X
365	O-Ring - Lower Housing	9131009-01	EV			X
370	O-Ring - Upper Housing	9131009-02	EV			X
375	Retaining Nut - Upper or Lower	9131206-01	EV			X
380	Set Screw (Lower Nut)	9031033-03	EV			X
385	Washer	9031004-09	EV			X
390	Water Seal & Face Assembly	9121025-91	EV			X
GEAR REDUCER ED13						
	Gear Oil for Baldor	6051041-03	GR	X	X	X
140	Gear Reducer (Kit)*	1051070-01	GR	X	X	
*Kit Includes Keyed Gear Reducer, Keyed Pulley and Key						
GEAR REDUCER ED 18						
140	BALDOR Gear Reducer	9171010-03	GR	X	X	X
	Oil for BALDOR Gear Reducer	6051041-03	GR	X	X	X
Internal Parts for BALDOR Gearbox are not available.						
Internal Parts for MORRIS Gearbox are not available.						
ICE CHUTE MF						
480	Ice Chute w/ Single Strap	2021070-01	IC			X
480	Ice Chute w/ Single Strap	2021322-02	IC		X	
480	Ice Chute w/ Single Strap	2021322-01	IC	X		
485	Gasket-Ice Chute To Down Chute	9051239-01	IC	X	X	
485	Gasket-Ice Chute To Down Chute	9051240-01	IC			X

32 F/MF SERIES FLAKERS MF400-MF700-MF1006 AIR, WATER AND REMOTE

Item Code	Part Description	Part No.	GRP	F/MF	F/MF	F/MF
				400	700	1006
MISCELLANEOUS						
490	Drip Boot	9051007-01	M	X	X	
490	Drip Boot	9051006-01	M			X
492	Sweat Cap (Legionnaires)	2991006-01	M	X	X	
492	Sweat Cap (Legionnaires)	2991005-01	M			X
495	Drain T (Drip Boot To Cabinet Rear)	9091073-01	M	X	X	X
PANELS						
500	Front Panel, Beige	NLA	P	X	X	X
500	Front Panel, Grey	NLA	P	X	X	X
500	Front Panel, Stainless	3021002-02	P	X	X	X
	Paint Beige Touch-up (Spray Can)	NLA	P	X	X	X
	Paint Grey Touch-up (Spray Can)	5011077-20	P	X	X	X
505	Screw #6 - 32 x 3/8	9031046-11	P	X	X	X
510	Screw #8 - 18 x 1-1/2	9031074-02	P	X	X	X
510	Screw #8 - 18 x 1-1/2, Stainless	9031046-18	P	X	X	X
515	Screw #8 - 18 x 3/8, Grey	NLA	P	X	X	X
520	Side Panels LH & RH, Beige	NLA	P	X	X	X
520	Side Panels LH & RH, Grey	NLA	P	X	X	X
520	Side Panels LH & RH, Stainless	3021003-02	P	X	X	X
530	Top Panel, Beige	NLA	P	X	X	X
530	Top Panel, Grey	NLA	P	X	X	X
530	Top Panel, Stainless	3021004-02	P	X	X	X
535	Rear Panel Stiffener	3011334-01	P	X	X	X
540	Gear Reducer Mounting Bracket	3011786-01	P	X		
PULLEY						
185	Pulley - Gear Box (Keyed)	9111002-08	PUL	X		
185	Pulley - Gear Box	9111002-15	PUL			X
185	Pulley - Gear Box	9111002-26	PUL		X	
185	Pulley - Gear Box (Flat)	9111002-22	PUL	X		
190	Pulley - Auger Motor 5/8" (Keyed)	9111002-28	PUL			X
190	Pulley - Auger Motor 5/8" (Keyed)	9111002-05	PUL		X	
190	Pulley - Auger Motor 5/8" (Keyed)	9111002-29	PUL	X		
190	Pulley - Auger Motor 1/2" (Flat)	9111002-17	PUL			X
190	Pulley - Auger Motor 1/2" (Flat)	9111002-16	PUL		X	
190	Pulley - Auger Motor 1/2" (Flat)	9111002-21	PUL	X		
REFRIGERATION						
600	Drier	9151004-05	REF	X	X	X
605	Expansion Valve - Thermostatic	9151006-06	REF		X	X
605	Expansion Valve - Thermostatic	9151020-01	REF	X		
605	Expansion Valve - Automatic	9151056-01	REF	X	X	
605	Expansion Valve - Automatic	9151056-02	REF			X
610	High Pressure Safety Control	9041001-02	REF		X	X
610	High Pressure Safety Control	9041001-01	REF	X		
610	High Pressure Safety Control	9041001-03	REF		X	
615	Service Valve Assy	2101160-01	REF	X	X	X
620	Service Valve Cap	9091086-03	REF	X	X	X
625	Service Valve Core	9091086-02	REF	X	X	X

32 F/MF SERIES FLAKERS MF400-MF700-MF1006 AIR, WATER AND REMOTE

Item Code	Part Description	Part No.	GRP	F/MF	F/MF	F/MF
				400	700	1006
REMOTE						
700	Head Pressure Regulator (192 PSI)	9151027-02	REM		X	X
705	High Pressure Safety Control	9041095-02	REM			X
705	High Pressure Safety Control	9041001-03	REM		X	
710	Liquid Line Solenoid Body - ALCO	9151123-02	REM		X	
715	Liquid Line Solenoid Coil - ALCO 115V	9151123-03	REM		X	
715	Liquid Line Solenoid Coil - ALCO 230V	9151123-04	REM			X
720	Pump Down Control	9041040-01	REM		X	X
725	Receiver	9151074-01	REM		X	X
730	Receiver Bracket	3011318-01	REM		X	X
735	Refrig In/Out Bracket	3011587-01	REM		X	X
736	Relay 115V	9101084-01	REM		X	
736	Relay 230V	9101084-02	REM			X
737	Relay Socket	9101083-01	REM		X	X
738	Terminal Board - Remote	9101037-02	REM		X	X
739	Terminal Dual Adapter	9101041-01	REM		X	X
REMOTE CONDENSOR						
740	Coupling Half Bulkhead 1/2	9091001-12	RC		X	X
745	Coupling Half Bulkhead 3/8	9091001-11	RC		X	X
750	Coupling Half Lineset 1/2	9091001-08	RC		X	X
755	Coupling Half Lineset 1/2 (With Port)	9091001-10	RC		X	X
760	Coupling Half Lineset 3/8	9091001-02	RC		X	X
765	Coupling Half Lineset 3/8 (With Port)	9091001-04	RC		X	X
766	Coupling Half Mounting Flange 1/2	9091001-09	RC		X	X
767	Coupling Half Mounting Flange 3/8	9091001-03	RC		X	X
780	Fan Blade (LARKIN)	1011179-98	RC		X	X
770	Fan Motor (115 VOLT) (LARKIN)	1011180-99	RC		X	
770	Fan Motor (230 VOLT) (LARKIN)	1011179-99	RC			X
775	Fan Shroud (LARKIN)	1011179-97	RC		X	X
V-BELT						
195	V-Belt	9111001-10	V		X	
195	V-Belt	9111001-11	V			X
195	V-Belt	9111001-14	V	X		
WATER COOLED						
800	Water Regulator Valve	9041010-01	WC	X	X	X
805	Water Condenser	9141022-01	WC	X		
805	Water Condenser	9141023-01	WC		X	
805	Water Condenser	9141024-01	WC			X
WATER FLOAT						
810	Water Float Inlet Line Assy	NLA	WF	X	X	X
815	Water Float & Tank Assembly	9131032-01	WF	X	X	X
820	Water Valve And Float Only	9131111-01	WF	X	X	X
825	Water Float Bracket	NLA	WF	X	X	X

REFRIGERANT CHARGE			PRESSURES		
MODEL	REF TYPE	OZ.	SP	DP	HP
MF400 AIR	R12	18	17	125	250
MF400 WATER	R12	12	17	125	250
MF700 AIR	R502	24	39	225	400
MF700 WATER	R502	18	39	225	400
MF700 REMOTE	R502	140	39	225	400
MF1006 AIR	R502	35	39	225	400
MF1006 WATER	R502	22	39	225	400
MF1006 REMOTE	R502	140	39	225	400

SP=SUCTION PRESSURE

DP=DISCHARGE PRESSURE SETTING/WATER COOLED UNITS

HP=HIGH PRESSURE SAFETY CONTROL SETTING

30.1 MF SERIES FLAKERS MF405-MF705-MF1005 AIR, WATER AND REMOTE

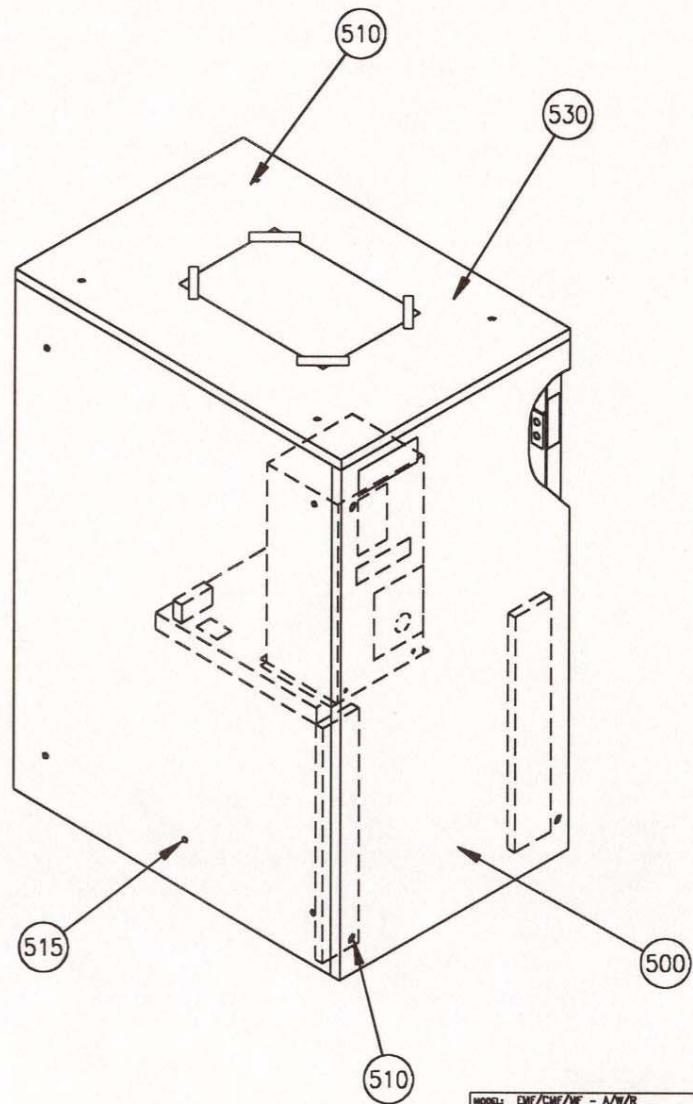
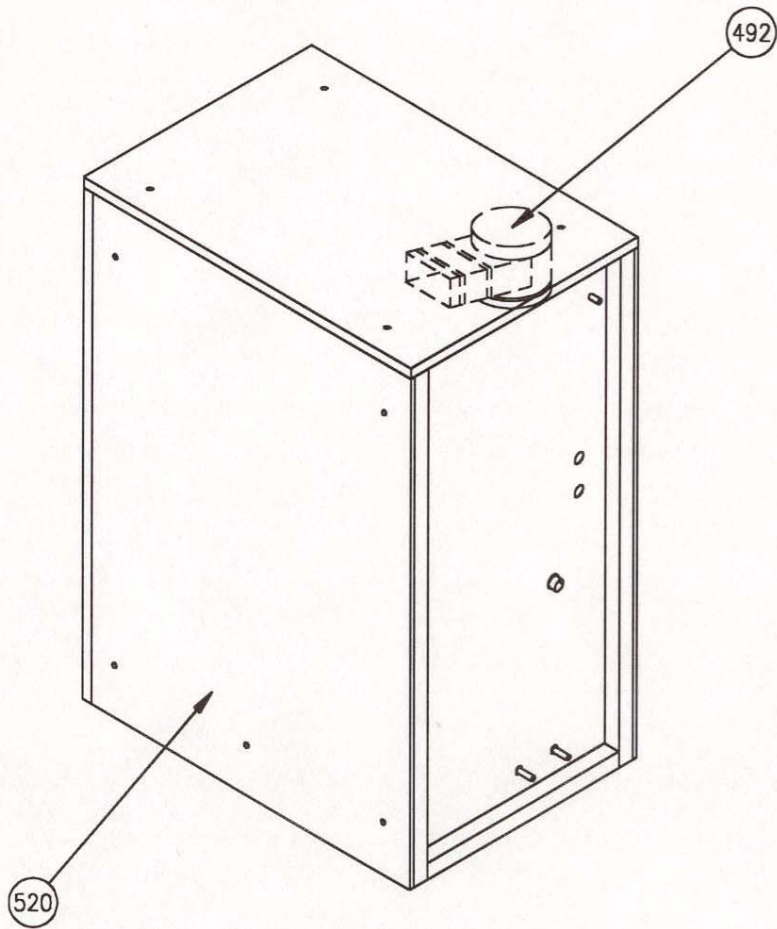
Item Code	Part Description	Part No.	GRP	MF	MF	MF
				405	705	1005
AIR COOLED						
20	Fan Motor	9161045-06	AC	X	X	
20	Fan Motor	9161059-01	AC			X
AUGER MOTOR KITS						
100	Auger Motor 1/2" Shaft (Replaced by Kit)	1051068-04	AMK	X		
100	Auger Motor 1/2" Shaft (Replaced by Kit)	1051068-06	AMK		X	
100	Auger Motor 1/2" Shaft (Replaced by Kit)	1051068-08	AMK			X
KIT INCLUDES AUGER MOTOR WITH 5/8 KEYED SHAFT-PULLEY AND KEY						
AUGER MOTOR						
105	Key - Motor 5/8" Shaft	9021028-01	AM	X	X	X
110	Auger Motor 5/8" Shaft (50HZ)	9161094-01	AM	X	X	
110	Auger Motor 5/8" Shaft (50HZ)	9161095-01	AM			X
110	Auger Motor 1/2" Shaft	USE KITS	AM	X	X	X
COMPRESSOR AND COMPONENTS (*Kit Includes Drier and Start Components)						
200	*Compressor Kit - COPELAND 230V	9181054-12	C		X	X
200	*Compressor Kit- TECU 230V	9181062-12	C	X		
205	Overload	9181005-14	C		X	X
205	Overload	9181005-16	C	X		
210	Run Capacitor	9181009-09	C		X	X
215	Start Capacitor	9181003-08	C			X
215	Start Capacitor	9181003-16	C	X		
215	Start Capacitor	9181003-08	C		X	
220	Start Relay	9181004-11	C	X		
220	Start Relay	9181010-09	C		X	X
ELECTRICAL						
245	Contactora - 1 Pole 230V	9101002-04	E	X	X	X
265	Relay-Auger Motor 230V	9101170-02	E	X	X	X
REMOTE						
710	Liquid Line Solenoid Body - ALCO	9151123-02	REM		X	X
715	Liquid Line Solenoid Coil - ALCO 230V	9151123-04	REM		X	X
736	Relay 230V	9101084-02	REM		X	X
REMOTE CONDENSOR						
770	Fan Motor (230 VOLT) (LARKIN)	1011179-99	RC			X

REFRIGERANT CHARGE			PRESSURES		
MODEL	REF TYPE	OZ.	SP	DP	HP
MF400-405 AIR	R12	18	17	125	250
MF400-405 WATER	R12	12	17	125	250
MF700-705 AIR	R502	24	39	225	400
MF700-705 WATER	R502	18	39	225	400
MF700-705 REMOTE	R502	140	39	225	400
MF1006-1005 AIR	R502	35	39	225	400
MF1006-1005 WATER	R502	22	39	225	400
MF1006-1005 REMOTE	R502	140	39	225	400

SP=SUCTION PRESSURE

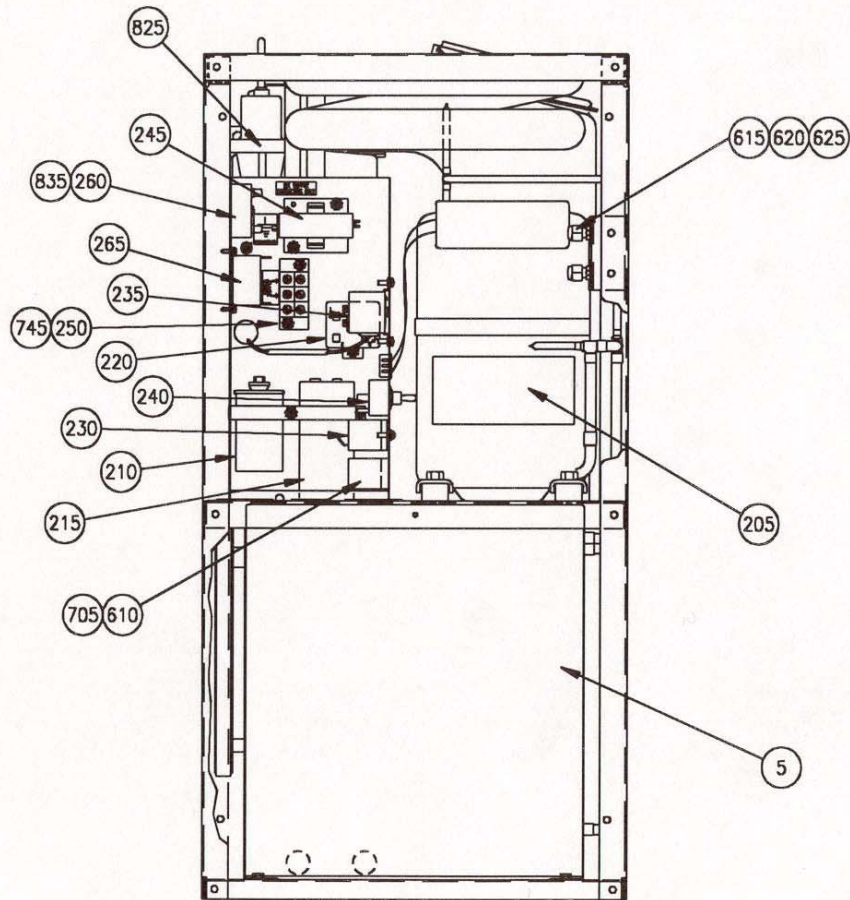
DP=DISCHARGE PRESSURE SETTING/WATER COOLED UNITS

HP=HIGH PRESSURE SAFETY CONTROL SETTING

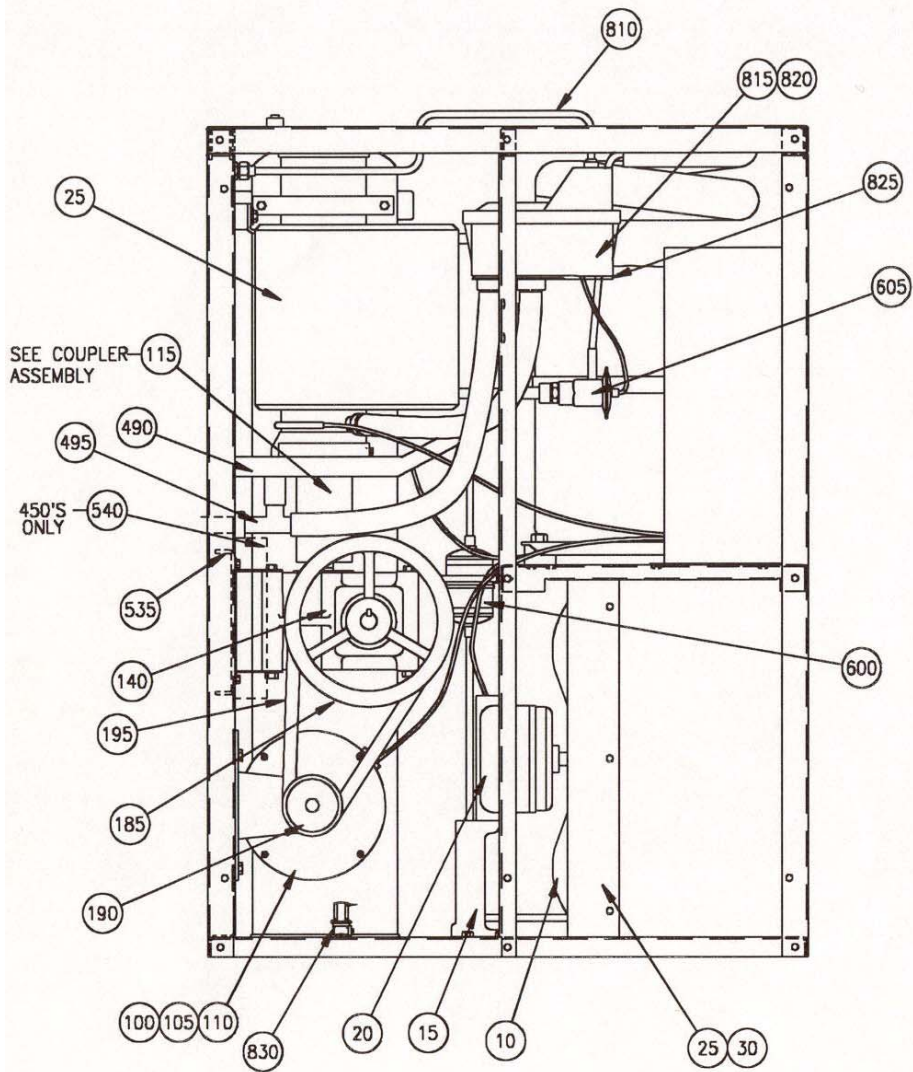


MODEL: DM/CNF/MF - A/W/R
 RESTRICTED, CONFIDENTIAL DOCUMENT
 This drawing and all information shown hereon are the exclusive property of the High Equipment Company and are not to be used in any way without the express written consent of the company. Any reproduction of this drawing or the information shown hereon is prohibited.

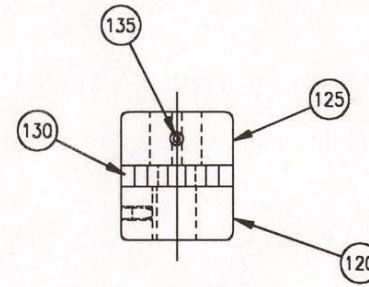
ICE-O-MATIC
 A HIGH-EQUIPMENT COMPANY
 TITLE: PANEL ASSEMBLY



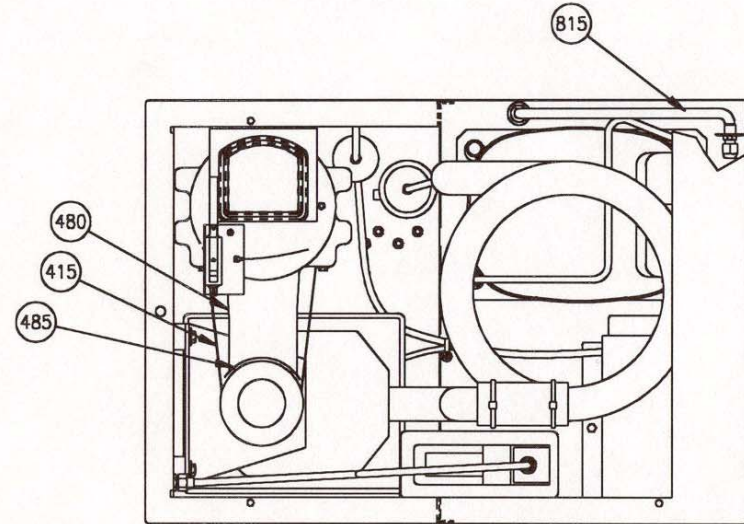
MODEL: MF/CMF/DMF - A/R/R
 RESTRICTED, CONFIDENTIAL DOCUMENT
 This drawing and all information shown herein are the exclusive property of the High Equipment Company, and are submitted only on a confidential basis. The recipient agrees not to reproduce the drawing, to make it open source, and that no disclosure of the drawing or the information shown herein will be made to a third party without prior written consent from the High Equipment Company.
ICE-O-MATIC
 A PERKINS COMPANY
 TITLE: CHASSIS ASSEMBLY
 SCALE: 1:100
 DATE: 10/10/68



FRONT VIEW

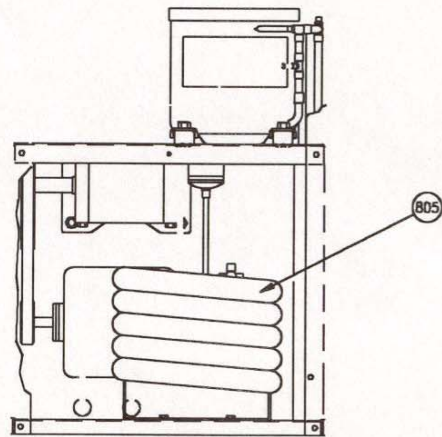
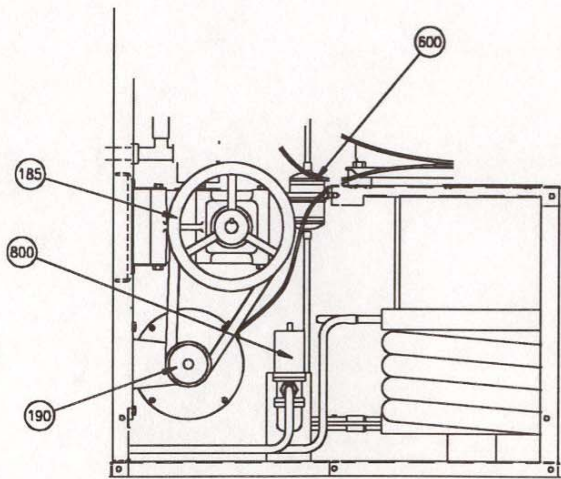
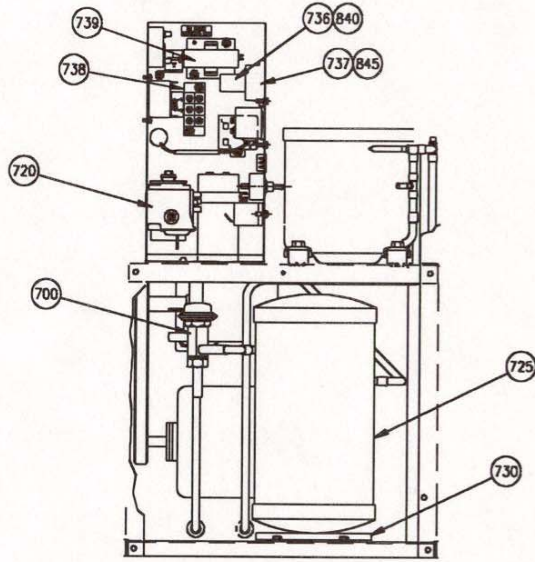
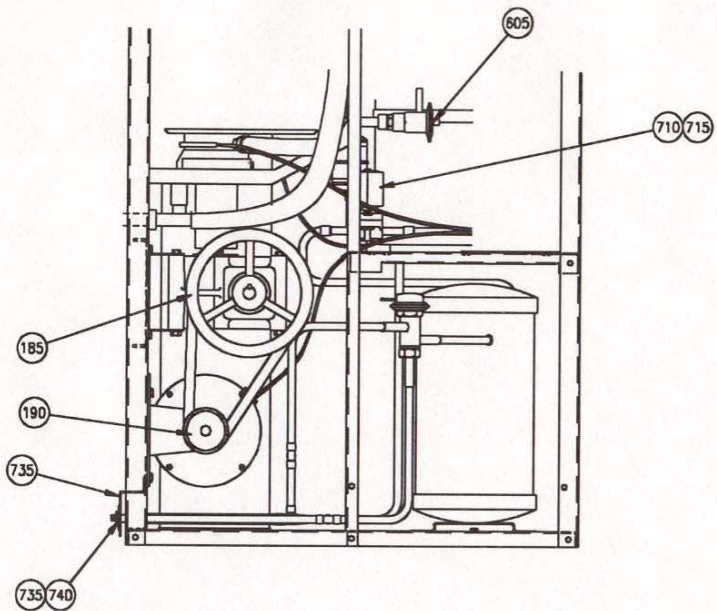


COUPLER DETAIL

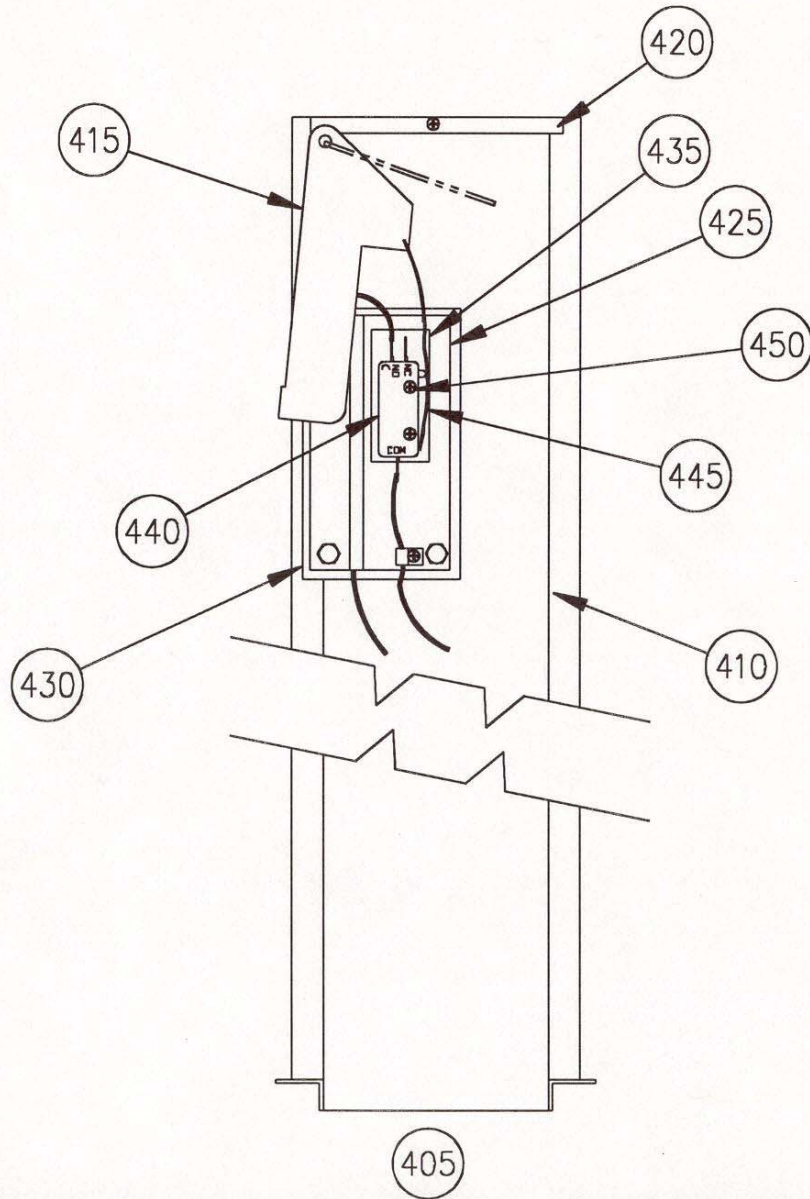


TOP VIEW

MODEL: MF/CMF/EMF - A/W/R	ICE-O-MATIC <small>A WALKER COMPANY</small>
<small>RESTRICTED, CONFIDENTIAL DOCUMENT</small> <small>This drawing and all information shown herein are the exclusive property of the High Equipment Company, and are restricted only on a confidential basis. The recipient agrees not to reproduce the drawing, to return it upon request, and that no disclosure of the drawing or the information shown herein will be made to a third party without prior written consent from the High Equipment Company.</small>	
TITLE	CHASSIS ASSEMBLY
SCALE	1:1
DATE	1954
DESIGNER	MF1000-2



MODEL: MF, CMF, CMF 1000 A/W/R
 RESTRICTED, CONFIDENTIAL DOCUMENT
 This drawing and all information appearing here are the exclusive property of the High Equipment Company and are not to be used, copied, or reproduced in any form, in whole or in part, without the written consent of the High Equipment Company.
ICE-O-MATIC
 A WHIRLPOOL Company
 TITLE: ASSEMBLIES CONDENSER
 SCALE: 1=1
 SHEET: 1 OF 1
 DATE: 1958
 MF1000-3

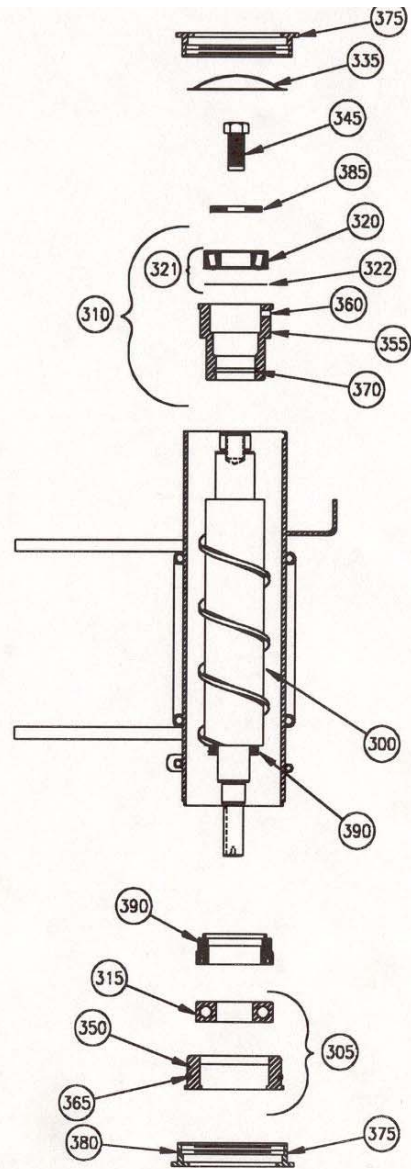


MODEL:
 RESTRICTED, CONFIDENTIAL DOCUMENT
 This drawing and all information herein are the exclusive property of the High Lockmaster Company and are restricted only on a confidential basis. The recipient agrees not to reproduce the drawing, to retain it upon request, and that no disclosure of the drawing or the information shown herein will be made to a third party without prior written consent from the High Lockmaster Company.

ICE-O-MATIC
 A FERRIS COMPANY

FILE
 (STEEL) DOWN CHUTE
 ASSEMBLY

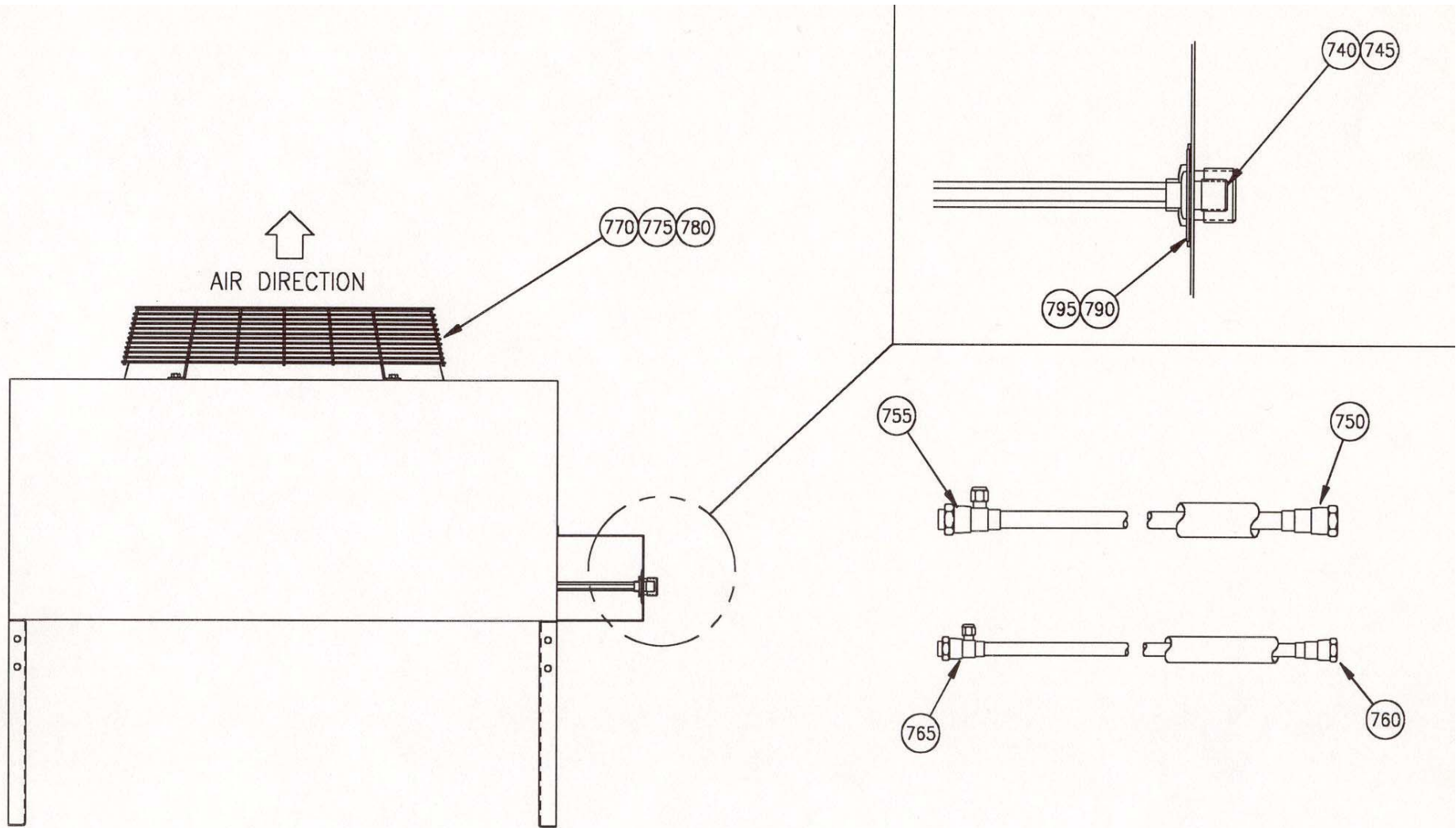
SCALE: 1" = 1'-0" PART: 1561 STD CHUTE



RESTRICTED, CONFIDENTIAL DOCUMENT
 *This drawing and all information shown hereon are the exclusive property of the High Equipment Company and are restricted only on a confidential basis. The recipient agrees not to reproduce the drawing, to make it open to any other person, to disclose the contents of the information shown hereon or to use it in any way without prior written consent from the High Equipment Company.

ICE-O-MATIC,
 A ZEPHYRUS COMPANY

TITLE: EVAPORATOR ASSEMBLY
 SCALE: 1 INCH = 1 INCH



MODEL: "B" SERIES AIR/WATER/REMOTE
 RESTRICTED, CONFIDENTIAL DOCUMENT
 This drawing and all information shown hereon are the exclusive property of the Heat Equipment Company and are not to be used in any way without the written consent of the Heat Equipment Company. In the event of any dispute, the user shall be held responsible for the accuracy of the drawing or the information shown hereon.

ICE-O-MATIC.
 A HEAT-EQUIPMENT COMPANY

TITLE: REMOTE CONDENSOR