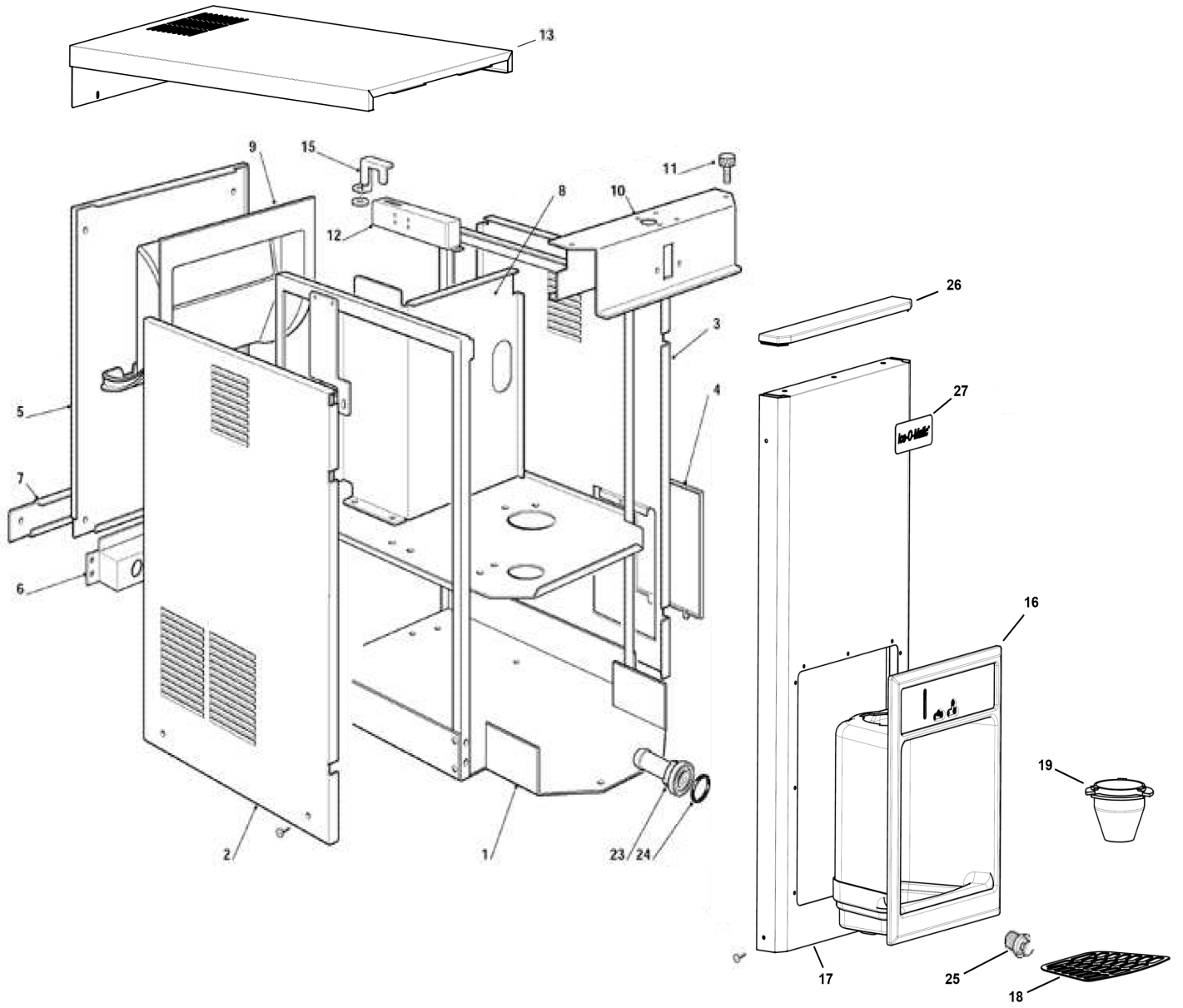




GEMD 270A2

SPARE PARTS LIST

UNIT PANELS



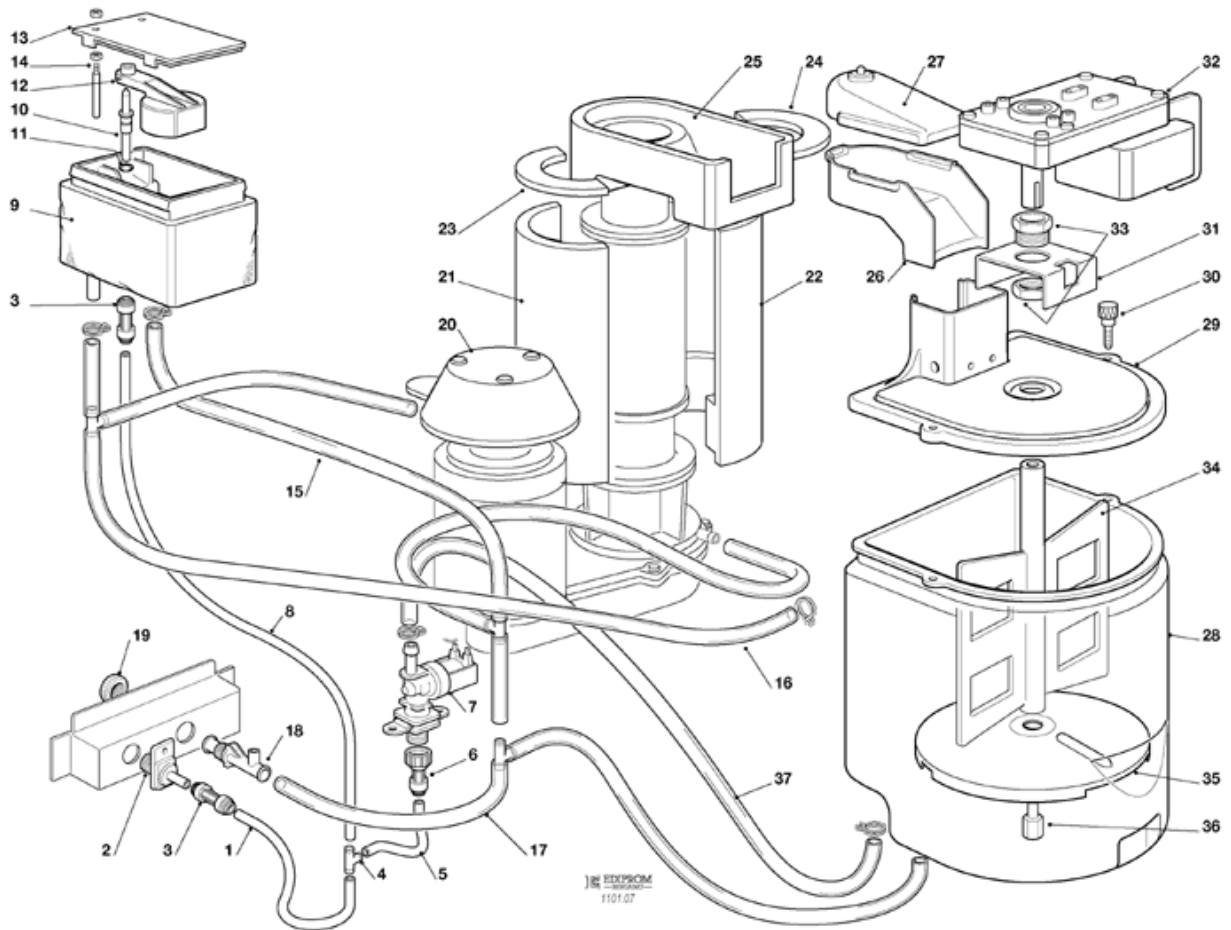
UNIT PANELS

Pos	Code	Description
1	SC704428-00	UNIT BASE ONLY
2	Check S/N	LEFT SIDE PANEL
	SC726038-00	GEMD270A2 w Serial number BEFORE 171895 (4/14/2021)
	SC726076-00	GEMD270A2 w Serial number AFTER 171895 (4/14/2021)
	SC726059-00	GEMD275A2 w Serial number BEFORE (4/14/2021)
	SC726074-00	GEMD270A2 w Serial number AFTER (4/14/2021)
3	Check S/N	PANEL, RIGHT SIDE
	SC726037-00	GEMD270A2 w Serial number BEFORE 171895 (4/14/2021)
	SC726075-00	GEMD270A2 w Serial number AFTER 171895 (4/14/2021)
	SC726058-00	GEMD275A2 w Serial number BEFORE (4/14/2021)
	SC726073-00	GEMD270A2 w Serial number AFTER (4/14/2021)
4	SC721763-00	PCB SERVICE PANEL
5	SC724430-00	REAR PANEL
6	SC702259-01	METAL BRACKET
7	SC702269-00	COVER FOR FITTING BRACKET
8	SC702502-00	SEPARATORE
9	SC660895-00	CONVOGLIATORE
10	SC724426-00	METAL BRACKET
11	SC650806-02	METAL PIN
12	SC705234-00	SAFETY SWITCH HOUSING
13	Check S/N	TOP PANEL
	SC726030-00	GEMD270A2 w Serial number BEFORE 171895 (4/14/2021)
	SC726030-00	GEMD270A2 w Serial number AFTER 171895 (4/14/2021)
	SC726060-00	GEMD275A2 w Serial number BEFORE (4/14/2021)
	SC726060-00	GEMD270A2 w Serial number AFTER (4/14/2021)
14	SC650806-06	THUMB SCREW
15	SC724404-00	SAFETY SWITCH PUSHER
16	SC781593-00	DISPENSER FRAME
17	Check S/N	FRONT PANEL
	SC726031-00	GEMD270A2 w Serial number BEFORE 171895 (4/14/2021)
	SC726077-00	GEMD270A2 w Serial number AFTER 171895 (4/14/2021)
	SC726031-00	GEMD275A2 w Serial number BEFORE (4/14/2021)
	SC726077-00	GEMD270A2 w Serial number AFTER (4/14/2021)
18	SC723365-00	GRID
19	SC660675-00	ICE CHUTE
20	SC650753-00	LABEL
21	SC650753-01	LABEL
22	SC650730-00	COVER
23	SC660219-01	BIN DRAIN
24	SC640134-00	O RING
25	SC660211-03	DRAIN FILTER
26	SC661278-00	TOP TRIM STRIP
27	SC651742-00	LABEL
29	SC060636-00	PUSH BUTTON SWITCH KIT

REFRIGERANT SYSTEM AIR COOLED

Pos	Code	Description
0001	SC670100-24	COMPRESSOR CUBIGEL GPY12RD 115/60/1 V
0001	SC670106-06	COM.AE4450Y-FZ1C 220-240/50/1 V
0005	SCCUB-102198	PROTECTOR 115/60 V
0005	SC620478-19	PROTECTOR 220-240/50/1
0009	SCCUB-405182	RELAY 115/60/1 V
0009	SC620057-79	RELAY 230/50/1
0010	SCCUB-102663	START.CAP. 115/60/1 V
0010	SC620167-30	START.CAP. 230/50/1 V
0012	SC650109-00	VALVE BODY
0013	SC670012-00	VALVE CORE
0014	SC650106-00	CAP
0015	SC620439-00	AIR COOLED CONDENSER
0019	SC620419-02	FAN MOTOR ATEX 230/50/1 V
0019	SC620419-03	FAN MOTOR ATEX 115/60/1 V
0020	SC620419-33	BLADE
0025	SC630003-03	FILTER
0026	SC784840-03	SUCTION LINE

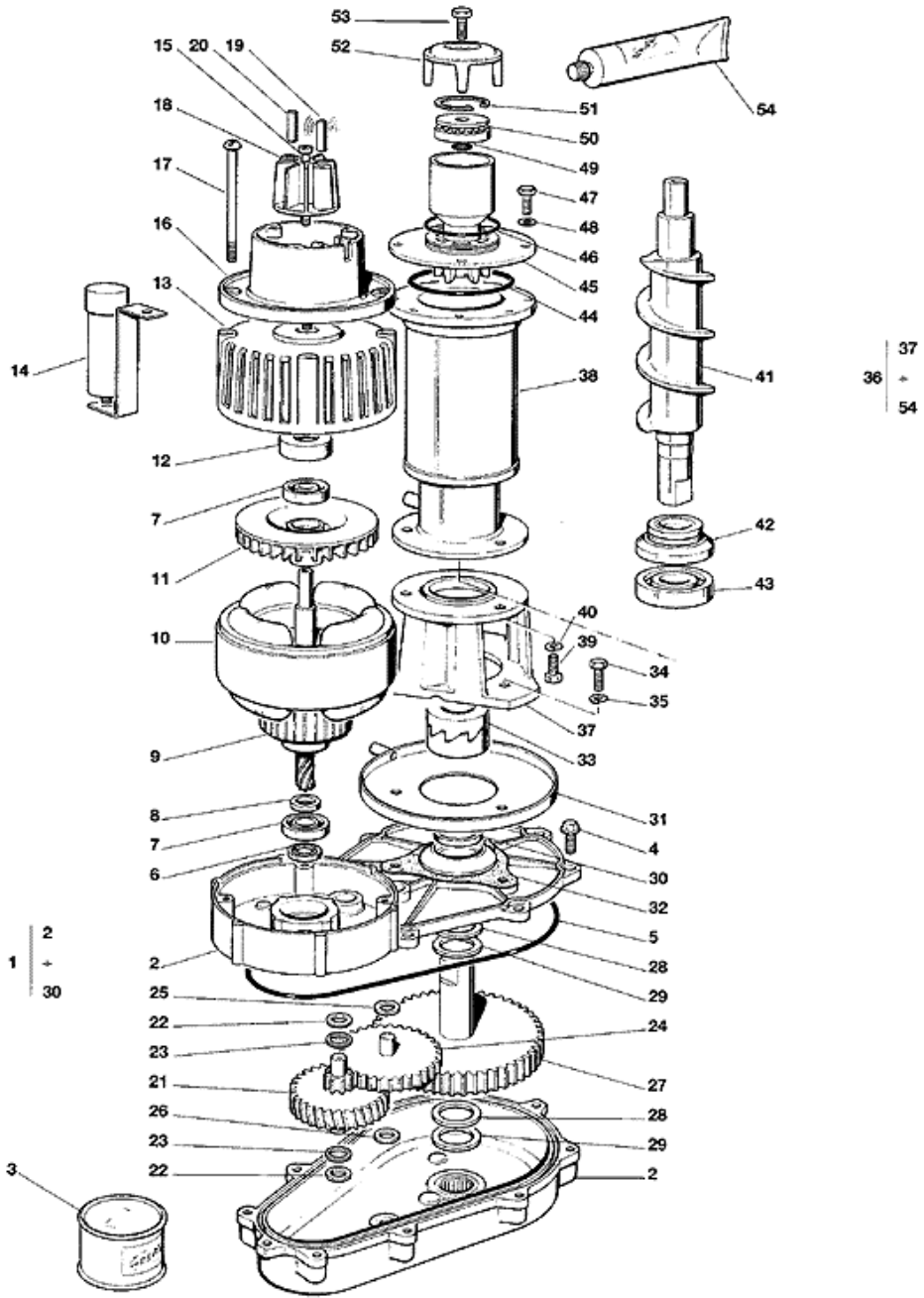
WATER AND DISPENSING SYSTEM



WATER AND DISPENSING SYSTEM

Pos	Code	Description
0001	SC651206-02	1/4 OD NYLON TUBE
0002	SC660956-00	WATER IN PLASTIC FITTING
0003	SC651224-04	1/4 F-5/16F CONNECTOR
0004	SC651224-02	T FITTING
0005	SC651206-02	1/4 OD NYLON TUBE
0006	SC651224-01	WATER INLET FITTING
0007	SC650105-52	WATER INLET VALVE
0007	SC650105-55	WATER INLET VALVE
0008	SC651206-02	1/4 OD NYLON TUBE
0009	SC660459-00	WATER RESERVOIR
0010	SC660957-00	PLASTIC NOZZLE
0011	SC640100-00	O RING OR 2025 (WRAS-FDA)
0012	SC660585-00	FLOAT VALVE
0013	SC660363-00	COVER
0014	SC724215-06	WATER LEVEL METAL PIN
0015	SC610194-02	PLASTIC TUBE
0016	SC610194-04	DRAIN HOSE ASSY
0017	SC610194-01	PLASTIC TUBE
0018	SC660224-00	TEE TUBE
0019	SC660535-00	PLASTIC NUT
0020	SC660670-00	PLASTIC COVER
0021	SC060551-04	KIT INSULATION, FREEZER
0022	SC060551-04	KIT INSULATION, FREEZER
0023	SC650723-01	INSULATION
0024	SC650723-01	INSULATION
0025	SC650827-00	ISOLAMENTO BOCCA USC.GHI.
0026	SC660695-00	ICE SPOUT
0027	SC660694-00	ICE SPOUT COVER
0028	SC792054-02R	INSULATED STORAGE BIN
0029	SC650997-00	INSULATION
0029	SC650997-01	INSULATION
0030	SC650806-06	THUMB SCREW
0031	SC724387-00	METAL PLATE
0032	SC12001610-01	MOTOR & GEARS 115/60/1
0032	SC12001610-06	MOTOR & GEARS 50 HZ
0032	SC650881-00	SHAFT
0033	SC02003238-01	BUSHING
0033	SC02003239-01	NUT
0034	SC724508-00	METAL COVER
0034	SC781525-00R	DISPENSING VANE - SMALL
0035	SC0A038272-01	USE 781486 01
0036	SC733223-00	STUD
0037	SC281900-01	TUBE 16X10

FREEZER AND GEAR REDUCER ASSY



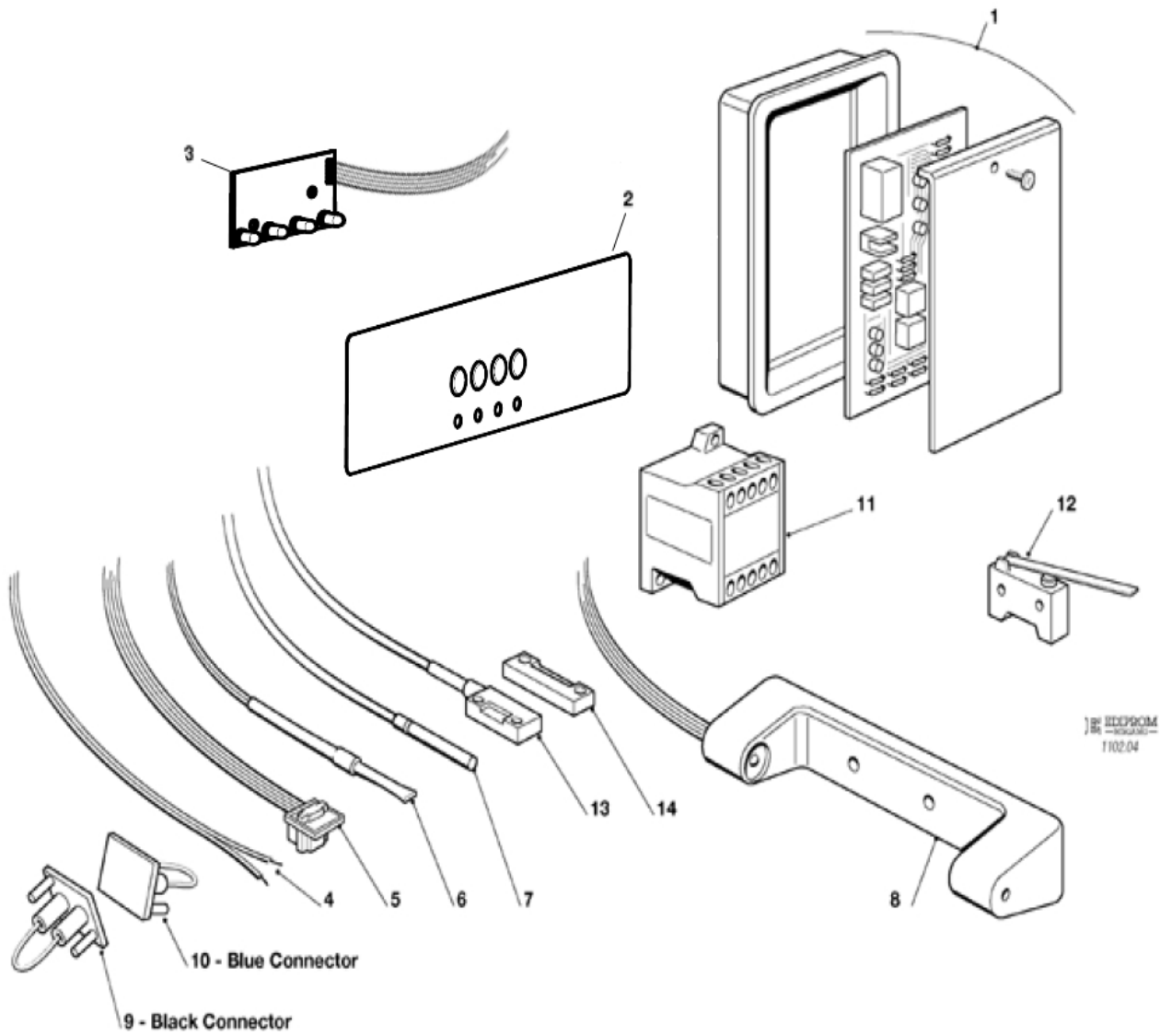
FREEZER AND GEAR REDUCER ASSY

Pos	Code	Description
0001	SC794225-19R	GEAR REDUCER ASSY - 230/50-60 (SC794225 21 at 155/60/1 V)
0002	SC001015-01	GEAR CASE KIT
0003	SC060294-04	GEAR REDUCER GREASE 0,5KG
0004	SC03001251-01	FLANGE SCREW
0004	SC429852-00	SCREW
0005	SC640084-00	O RING
0006	SC640083-00	GREASE SEAL
0007	SC651056-00	BEARING
0008	SC441800-09	SPECIAL WASHER
0009	SC794123-03R	ROTOR ASSY
0010	SC620521-00	STATOR 230V
0010	SC620521-01	STATOR 115V
0011	SC764001-01	BLADE
0012	SC640095-00	RUBBER INSERT
0013	SC794226-01R	MOTOR HOUSING
0014	SC620520-00	CAPACITOR 12,5 MFD - 115/60
0014	SC620520-03	CAPACITOR 4 MFD - 230/60
0015	SC03001403-77	PANHEAD MACHINE SCREW
0016	SC650515-01	MOTOR COVER
0017	SC423872-02	SCREW
0018	SC784476-01	MGT BRACKET ASSY
0019	SC784476-01	MGT BRACKET ASSY
0020	SC784476-01	MGT BRACKET ASSY
0021	SC651160-00	GEAR
0022	SC441800-06	WASHER
0023	SC441800-05	WASHER
0024	SC651161-00	GEAR AND PINION
0025	SC441800-08	WASHER
0026	SC441800-07	WASHER
0027	SC651162-01	3RD GEAR & PINION
0028	SC441808-00	WASHER
0029	SC441808-00	WASHER
0030	SC640019-01	GASKET SMIM 2232/5.5
0031	SC660756-00	WATER DRIP TRAY
0032	SC640041-36	O RING OR 6200 (WRAS-FDA)
0033	SC060359-00	KIT COUPLING AF
0034	SC03001405-38	SCREW
0034	SC420019-00	SCREW
0036	SC794300-04R	FREEZER ASSY
0037	SC764010-00	FREEZER BRACKET
0038	SC784541-07	ASSY EV.TORN.AFC134/TC180
0039	SC03001405-38	SCREW
0039	SC420019-00	SCREW
0041	SC640041-40	O RING OR 3068 (WRAS-FDA)
0041	SC650727-00	AUGER
0042	SC640040-00	WATER SEAL
0043	SC670011-01	BEARING
0044	SC640041-28	O RING OR 168 (WRAS-FDA)
0045	SC060661-00	ICE BREAKER KIT
0046	SC640041-27	O RING OR 2237 (WRAS-FDA)

FREEZER AND GEAR REDUCER ASSY

Pos	Code	Description
0047	SC420019-00	SCREW
0049	SC640041-25	O RING OR 3087 (WRAS-FDA)
0050	SC060661-00	ICE BREAKER KIT
0051	SC650297-00	SNAP RING
0052	SC650725-00	ICE SWEEP - HARD PLASTIC
0052	SC660980-00	PLASTIC RING
0053	SC420030-00	SCREW
0054	SC263612-00	GREASE FOODLUBE UNIVERSAL 2,0 & 000

P.C. BOARD AND SENSORS ASSY



P.C. BOARD AND SENSORS ASSY

Pos	Code	Description
0001	SC620448-09	PC BOARD 115/60/1 V
0001	SC620448-08	PC BOARD 230/50/1 V
0002	SC620483-04	LED MONITORING PANEL
0003	SC620483-03	DISPLAY BOARD
0004	SC620519-02	WATER SENSOR HARNESS-NTC
0005	SC620404-03	HALL SENSOR
0006	SC620519-04	CONDENSER SENSOR NTC
0007	SC620519-01	EVAPORATOR SENSOR NTC
0008	SC650674-02	ICE LEVEL CTRL-3 MTRS
0009	SC620448-03	OPTICAL CONTROL T
0009	SC620448-04	CABLE
0010	SC620448-02	OPTICAL CONTROL R
0010	SC620448-04	CABLE
0011	SC630119-04	CONTACTOR 115/60/1
0012	SC620486-00	MICROSWITCH
0013	SCCM332100-19	MGT SWITCH
0014	SCCM193550-07	MGT