

# *Ice-O-Matic*<sup>®</sup>

## SERVICE PARTS MANUAL

The HISU Series Undercounter Cubers

MODEL-HISU050, HISU055, HISU056

MODEL-HISU070, HISU075, HISU076

MODEL-HISU090, HISU095, HISU096





# HISU Service Parts

---

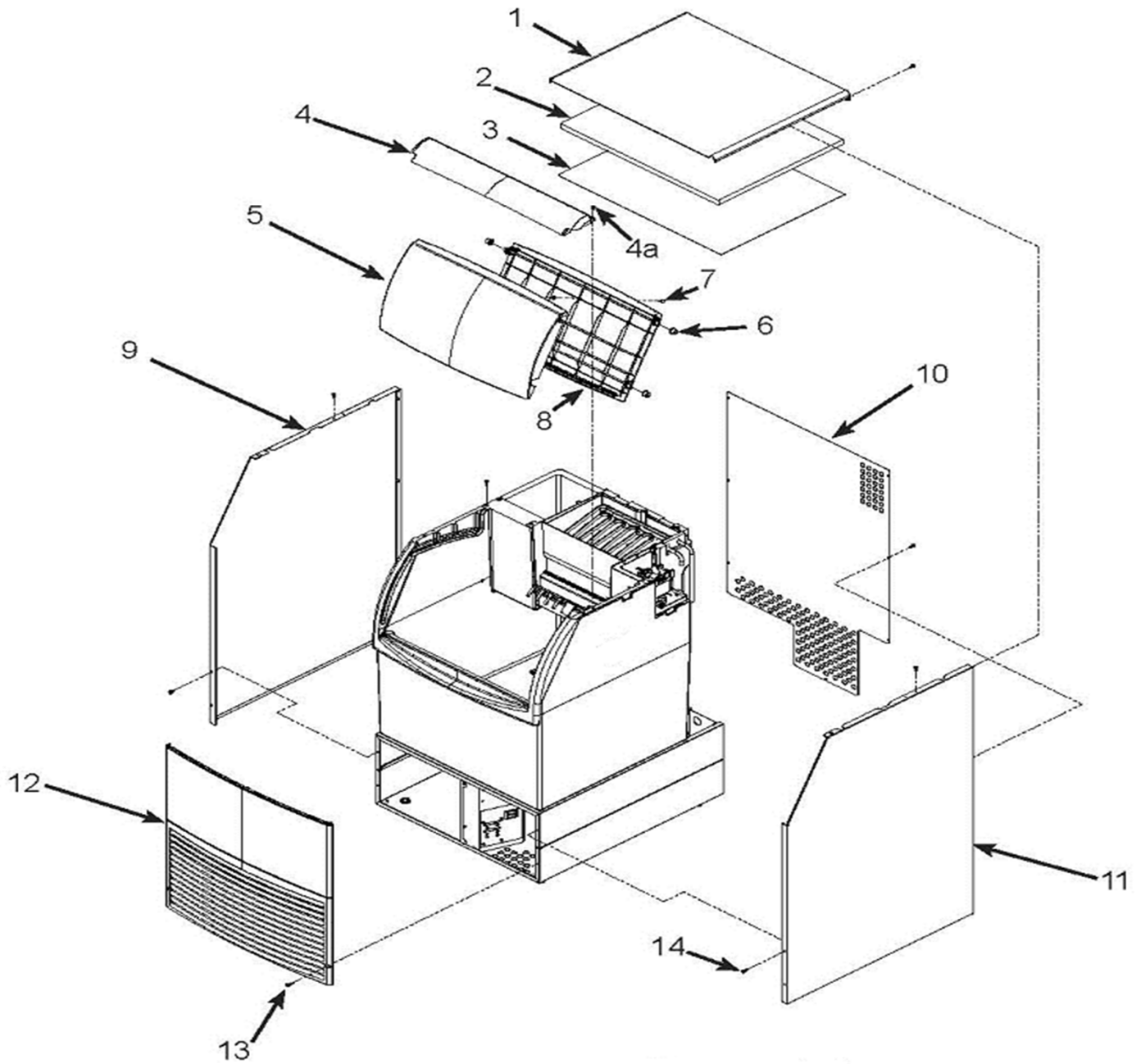
## Contents

Cabinet-HISU050, HISU055, HISU056, HISU070, HISU075 and HISU076	Page 2
Cabinet-HISU090, HISU095 and HISU096	Page 3
Under Bin Parts	Page 4
Bin and Insulation	Page 5
Refrigeration System HISU050, HISU055, HISU056, HISU070, HISU075 and HISU076	Page 6
Refrigeration System HISU090, HISU095 and HISU096	Page 7
Water System	Page 8
Controls and Electrical	Page 9

## Model Number Specifics

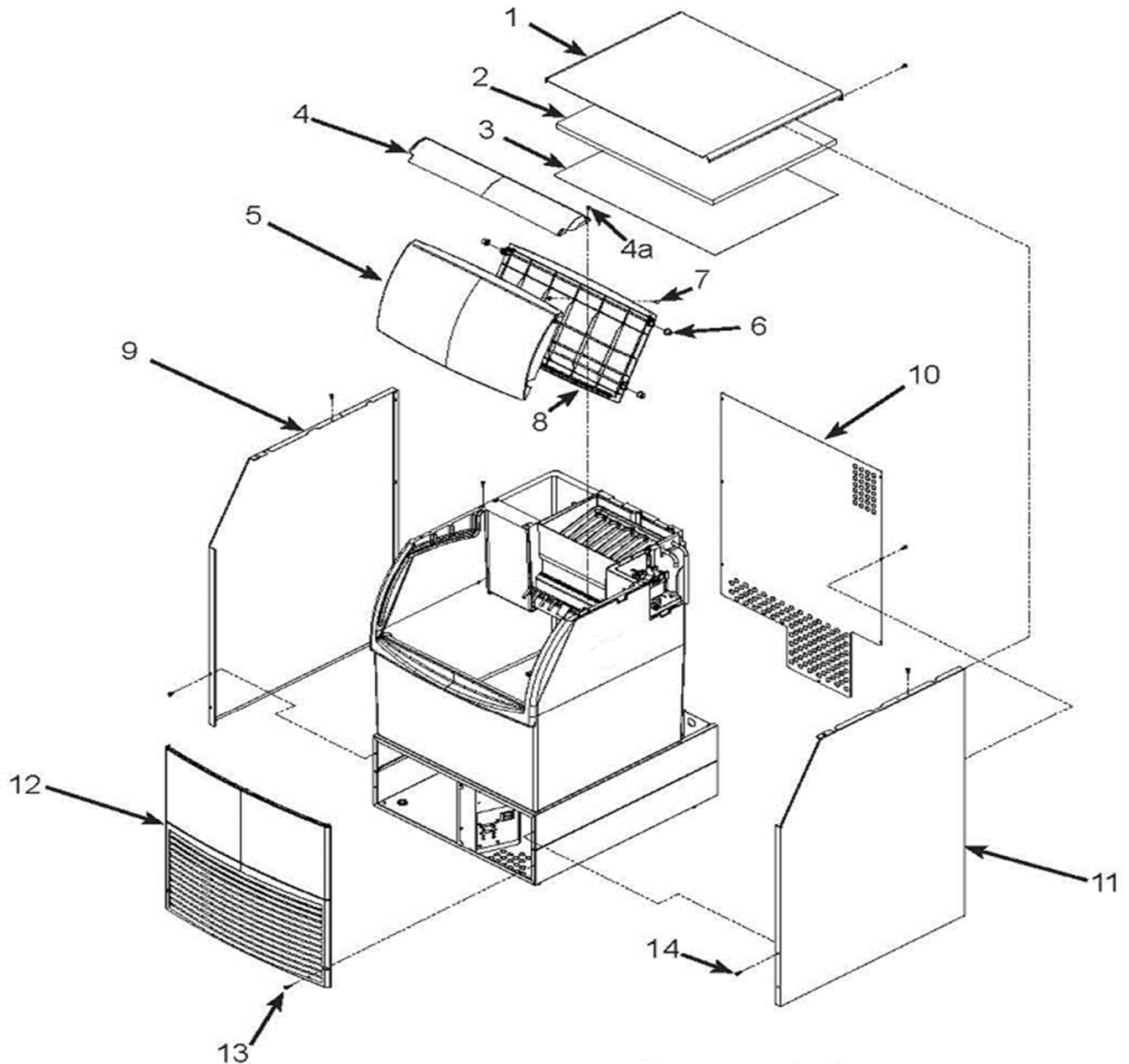
<b>Model</b>	<b>Voltage/Hz./Phase</b>	<b>Cabinet Width</b>	<b>Capacity</b>
HISU050	115/60/1	15 Inches Wide	50 lb.
HISU055	230/50/1	15 Inches Wide	50 lb.
HISU056	230/60/1	15 Inches Wide	50 lb.
HISU070	115/60/1	15 Inches Wide	70 lb.
HISU075	230/50/1	15 Inches Wide	70 lb.
HISU076	230/60/1	15 Inches Wide	70 lb.
HISU090	115/60/1	20 Inches Wide	90 lb.
HISU095	230/50/1	20 Inches Wide	90 lb.
HISU096	230/60/1	20 Inches Wide	90 lb.

Models HISU050, HISU055, HISU056, HISU070, HISU075 and HISU076

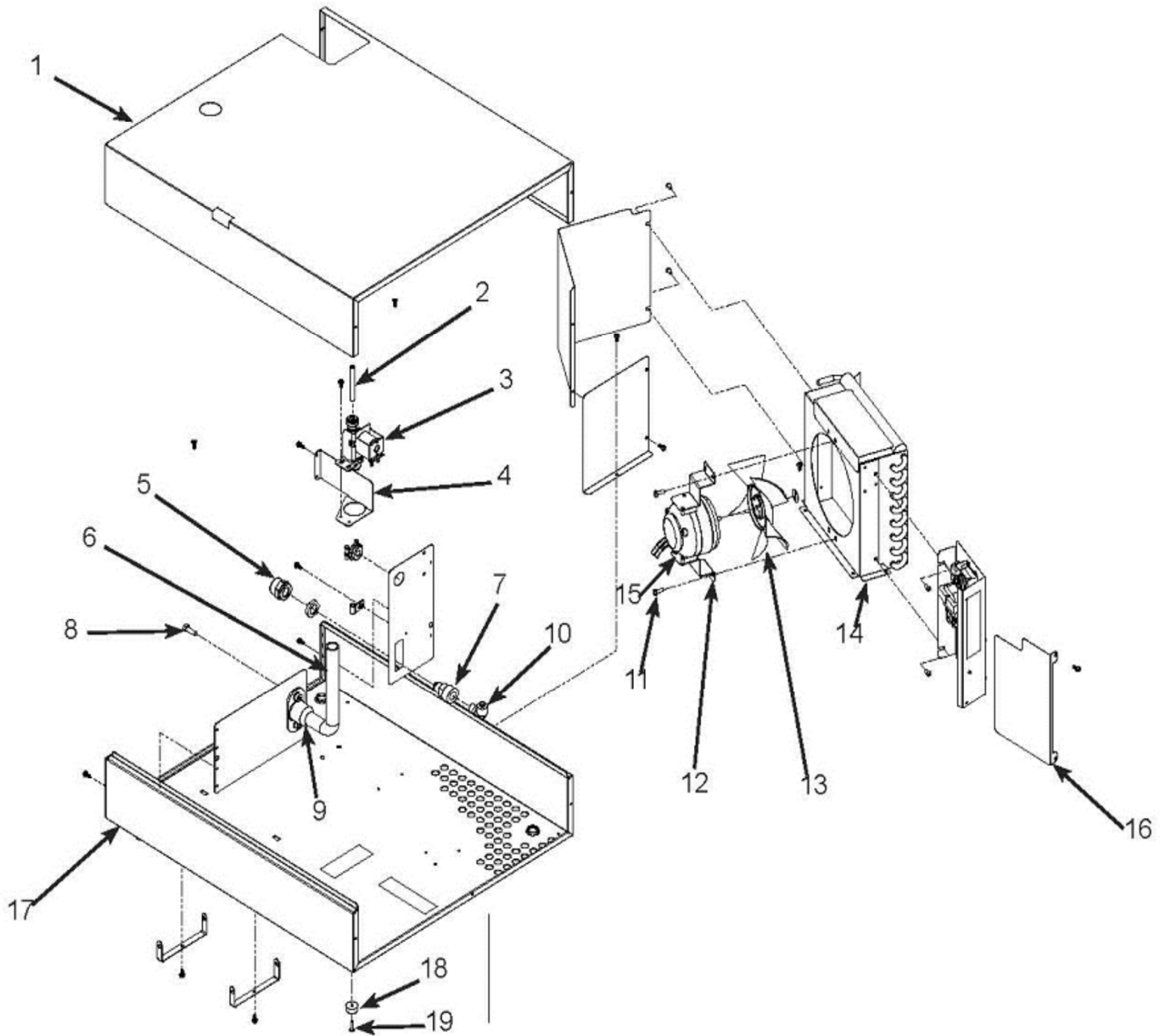


Item	Part Number	Description	Item	Part Number	Description
1	<a href="#">1011514-01</a>	Top Panel, 15 Inch	9	<a href="#">1011514-10</a>	Left Side Panel
2	1011514-02	Insulation	10	1011514-11	Back Panel, 15 inch
3	1011514-03	Inner Top Panel, 15 Inch	11	<a href="#">1011514-12</a>	Right Side Panel
4	<a href="#">1011514-04</a>	Top Frame, 15 Inch	12	1011514-13	Front Panel, 15 Inch
4a	<a href="#">1011514-05</a>	Screw	13	9031113-14	Screw
5	1011514-06	Door, Outer, 15 Inch	14	<a href="#">1011514-14</a>	Screw
6	1011514-07	Bumper	15	<a href="#">1011339-143</a>	Leg Set (4 ea.)
7	<a href="#">1011514-08</a>	Screw	16	<a href="#">1011514-15</a>	Scoop
8	1011514-09	Door Liner, 15 Inch	17	<a href="#">1011514-16</a>	Bin Thermostat Tube, 15 Inch

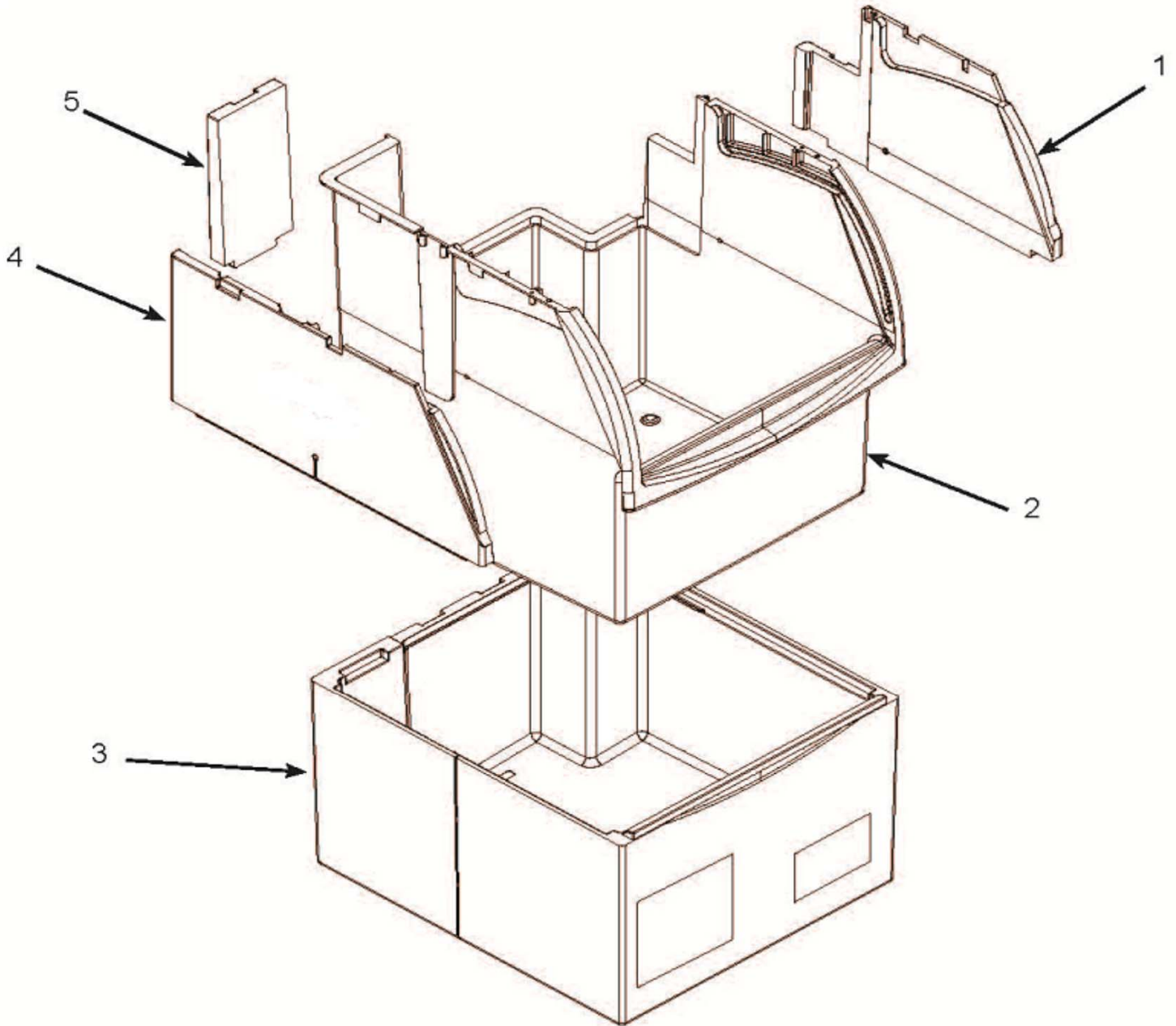
Models HISU090, HISU095 and HISU096



Item	Part Number	Description	Item	Part Number	Description
1	<a href="#">1011514-17</a>	Top Panel, 20 Inch	9	<a href="#">1011514-10</a>	Left Side Panel
2	<a href="#">1011514-18</a>	Insulation, 20 Inch	10	<a href="#">1011514-23</a>	Back Panel, 20 inch
3	<a href="#">1011514-19</a>	Inner Top Panel, 20 Inch	11	<a href="#">1011514-12</a>	Right Side Panel
4	<a href="#">1011514-20</a>	Top Frame, 20 Inch	12	<a href="#">1011514-24</a>	Front Panel, 20 Inch
4a	<a href="#">1011514-05</a>	Screw	13	<a href="#">9031113-14</a>	Screw
5	<a href="#">1011514-21</a>	Door, Outer, 20 Inch	14	<a href="#">1011514-14</a>	Screw
6	<a href="#">1011514-07</a>	Bumper	15	<a href="#">1011339-143</a>	Leg Set (4 ea.)
7	<a href="#">1011514-08</a>	Screw	16	<a href="#">1011514-15</a>	Scoop
8	<a href="#">1011514-22</a>	Door Liner, 20 Inch	17	<a href="#">1011514-86</a>	Bin Thermostat Tube, 20 Inch



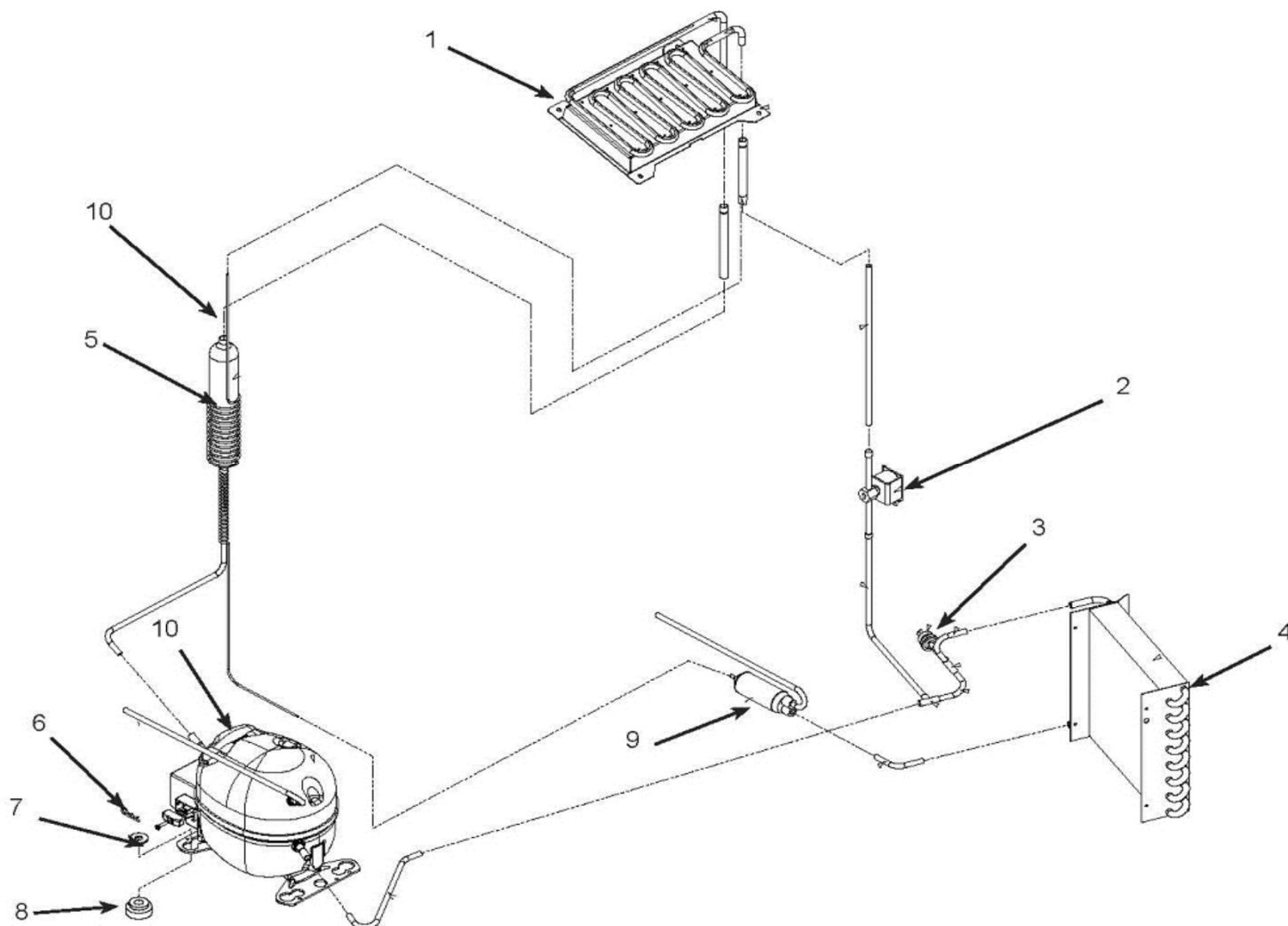
Item	Part Number	Description	Item	Part Number	Description
1	1011514-87	Chassis Cover, 15 Inch	15	1011448-75	Fan Motor 50/70-115V
	1011514-88	Chassis Cover, 20 Inch		1011514-25	Fan Motor 90-115V
2	1011514-89	Hose, Requires 22 Inches		1011514-26	Fan Motor 55/56 230V
3	1011514-90	Inlet Water Sol. Valve 115 Volt		1011514-26	Fan Motor 75/76 230V
	1011514-91	Inlet Water Sol. Valve 230 Volt		1011514-27	Fan Motor 95/96 230V
4	1011514-92	Bracket	16	1011514-28	Cover
5	1011514-93	Adapter For 230 Volt Models	17	1011514-29	Base, 15 Inch
6	1011514-94	Drain Hose		1011514-30	Base, 20 Inch
7	1011351-74	Hose Fitting, 230 Volt Models	18	1011514-07	Bumper
8	1011351-30	Screw For Drain Fitting	19	1011339-71	Screw
9	1011447-23	Drain Fitting Kit			
10	1011514-95	Elbow, 230 Volt Models			
11	1011514-96	Screw			
12	1011448-74	Fan Motor Bracket			
13	1011448-76	Fan Blade			
14	1011448-71	Fan Shroud			



Item	Part Number	Description
1	<a href="#">1011514-31</a>	Right Side Insulation
2	<a href="#">1011514-32*</a>	Bin Liner, 15 Inch
	<a href="#">1011514-33**</a>	Bin Liner, 20 Inch
3	<a href="#">1011514-34</a>	Insulation, 15 Inch Bin
	<a href="#">1011514-35</a>	Insulation, 20 Inch Bin
4	<a href="#">1011514-36</a>	Left Side Insulation
5	<a href="#">1011514-37</a>	Insulation Filler

\* Note: When ordering [1011514-32](#) you must order [1011514-31](#), [1011514-34](#), [1011514-36](#) and [1011514-37](#)

\*\* Note: When ordering [1011514-34](#) you must order [1011514-31](#), [1011514-35](#), [1011514-36](#) and [1011514-37](#)



Item	Part Number	Description
1	<a href="#">1011514-38</a>	Evaporator
2	<a href="#">1011514-39</a>	Hot Gas Valve, 115 Volt
	<a href="#">1011514-40</a>	Hot Gas Valve Coil, 115 Volt
	<a href="#">1011514-41</a>	Hot Gas Valve, 230 Volt
3	<a href="#">1011514-42</a>	Fan Motor Pressure Switch
4	<a href="#">1011448-66</a>	Condenser

Item	Part Number	Description
5	<a href="#">1011514-43</a>	Suction Assy, 505 LB 230 Volt
	<a href="#">1011514-44</a>	Suction Assy, 50 LB 115 Volt
	<a href="#">1011514-44</a>	Suction Assy, 70 LB
6	<a href="#">1011448-68</a>	Clip
7	<a href="#">1011448-69</a>	Washer
8	<a href="#">1011514-45</a>	Grommet
9	<a href="#">1011448-67</a>	Drier
10	<a href="#">1011514-46</a>	Thermister Clip

11 Compressor and Starting Components

11 Compressor and Starting Components

**Compressor Description and Part Number Underlined and Bold Include The Starting Components**

**Model Number HISU050**

**Model Number HISU070**

Part Number	Compressor HISU050
<a href="#">1011514-470</a>	Relay HISU050
<a href="#">1011514-471</a>	Start Capacitor HISU050
<a href="#">1011514-472</a>	Overload HISU050
<a href="#">1011514-473</a>	

Part Number	Compressor HISU070
<a href="#">1011514-490</a>	Relay HISU070
<a href="#">1011514-491</a>	Start Capacitor HISU070
<a href="#">1011514-492</a>	Overload HISU070
<a href="#">1011514-493</a>	

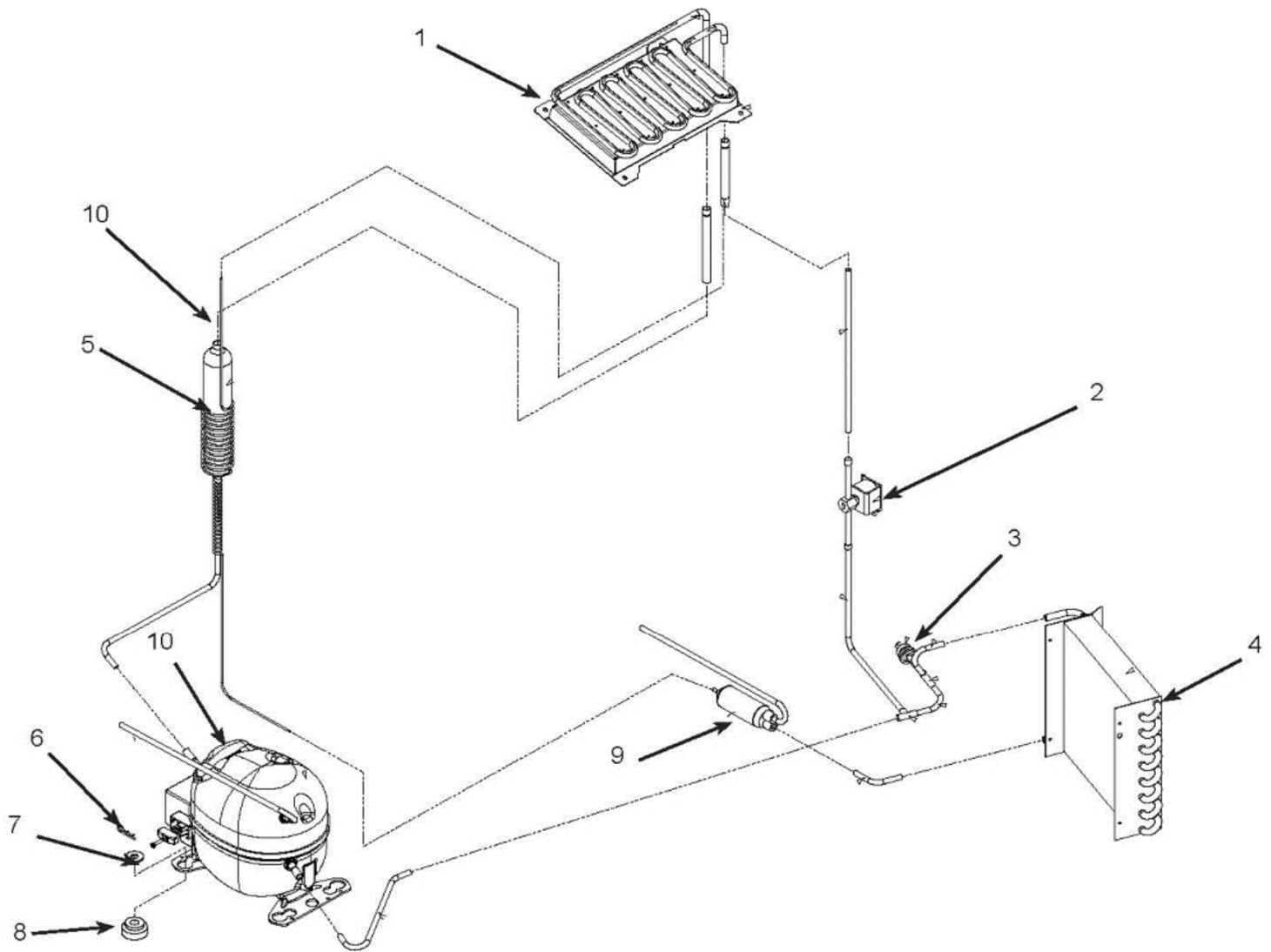
**Model Number HISU055, HISU056**

**Model Number HISU075, HISU076**

Part Number	Compressor HISU055/056
<a href="#">1011514-480</a>	Relay HISU055/056
<a href="#">1011514-481</a>	Start Capacitor HISU055/056
<a href="#">1011514-482</a>	Overload HISU055/056
<a href="#">1011514-483</a>	

Part Number	Compressor HISU075, HISU076
<a href="#">1011514-500</a>	Relay HISU075, HISU076
<a href="#">1011514-501</a>	Start Cap. HISU075, HISU076
<a href="#">1011514-502</a>	Overload HISU075, HISU076
<a href="#">1011514-503</a>	

**Models HISU090, HISU 095 and HISU096**



Item	Part Number	Description
1	1011514-38	Evaporator
2	1011514-39	Hot Gas Valve, 115 Volt
	1011514-40	Hot Gas Valve Coil, 115 Volt
	1011514-41	Hot Gas Valve, 230 Volt
3	1011514-42	Fan Motor Pressure Switch
4	1011448-66	Condenser

Item	Part Number	Description
5	1011514-51	Suction Assy, 90 LB.
6	1011448-68	Clip
7	1011448-69	Washer
8	1011514-45	Grommet
9	1011448-67	Drier
10	1011514-46	Thermister Clip

**11 Compressor and Starting Components**

**11 Compressor and Starting Components**

**Model Number HISU090**

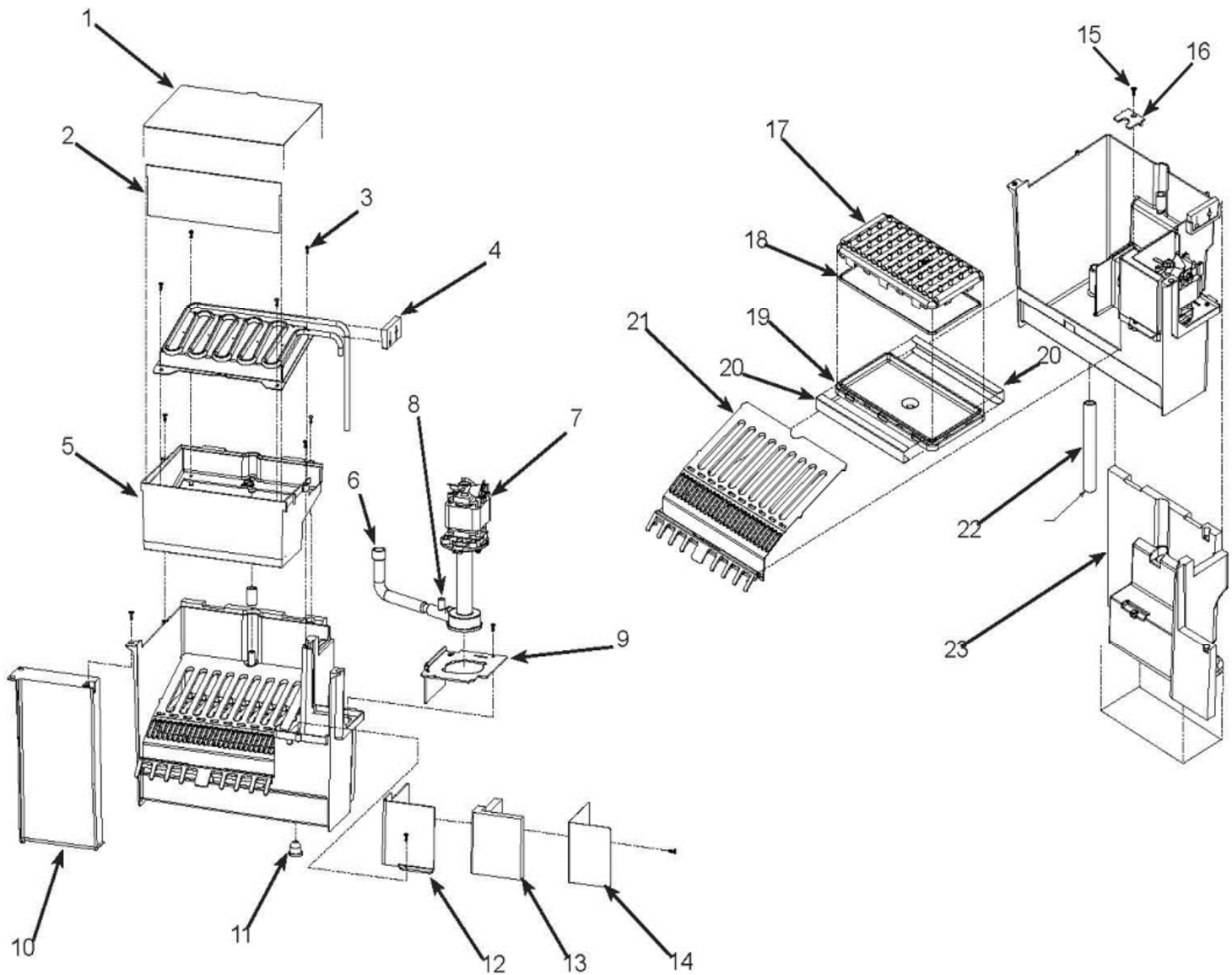
1011514-520	Compressor HISU090
1011514-521	Relay HISU090
1011514-522	Start Capacitor HISU090
1011514-523	Overload HISU090

**Model Number HISU095**

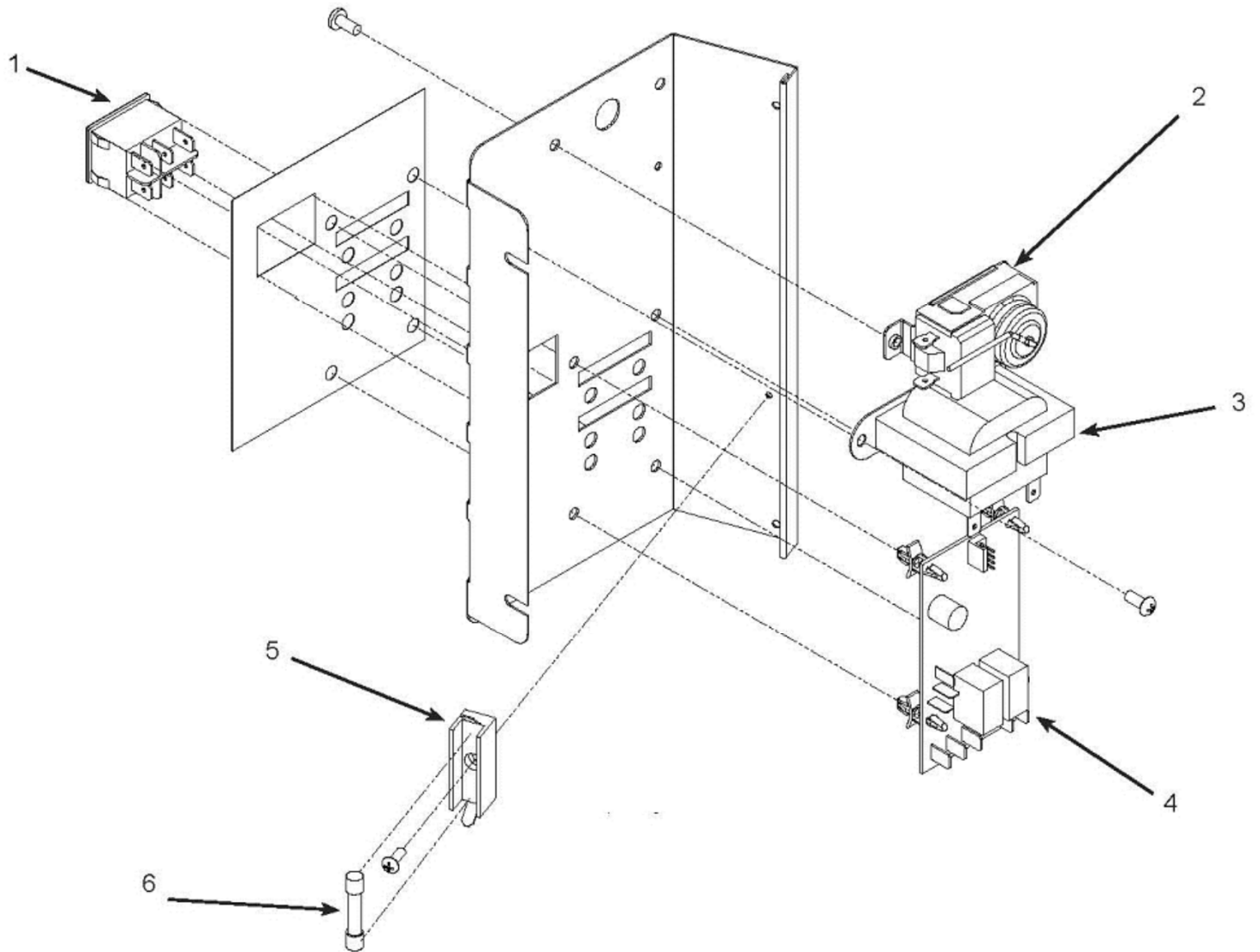
1011514-540	Compressor HISU095
1011514-541	Relay HISU095
1011514-542	Start Capacitor HISU095
1011514-543	Overload HISU095

**Model Number HISU096**

1011514-530	Compressor HISU096
1011514-531	Relay HISU096
1011514-532	Start Capacitor HISU096
1011514-533	Overload HISU096



Item	Part Number	Description	Item	Part Number	Description
1	<a href="#">1011514-55</a>	Evaporator Cover	13	<a href="#">1011514-67</a>	Insulation
2	<a href="#">1011514-56</a>	Curtain	14	<a href="#">1011514-68</a>	Motor Barrier
3	<a href="#">1011514-05</a>	Screw	15	<a href="#">1011514-08</a>	Screw
4	<a href="#">1011514-57</a>	Grommet	16	<a href="#">1011514-69</a>	Clip
5	<a href="#">1011514-58</a>	Evaporator Frame	17	<a href="#">1011514-70</a>	Water Header Top
6	<a href="#">1011514-59</a>	Pump Hose, 60 HZ. Models	18	<a href="#">1011514-71</a>	Gasket
	<a href="#">1011514-60</a>	Pump Hose, 50 HZ. Models	19	<a href="#">1011514-72</a>	Water Header Pan
7	<a href="#">1011514-61</a>	Water Pump, 115 V Models	20	<a href="#">1011514-73</a>	Water Header Clip
	<a href="#">1011514-62</a>	Water Pump, 230 V Models	21	<a href="#">1011514-74</a>	Cube Deflector
8	<a href="#">1011514-63</a>	Thermister, Short Wire to Hose	22	<a href="#">1011447-64</a>	Hose, 11.25 Inches Required
9	<a href="#">1011514-64</a>	Pump Bracket	23	<a href="#">1011514-75</a>	Insulation
10	<a href="#">1011514-65</a>	Support			
11	<a href="#">9051610-01</a>	Drain Plug			
12	<a href="#">1011514-66</a>	Pump Cover			



Item	Part Number	Description
1	1011514-76	Master Switch
2	1011514-77	Bin Thermostat
3	1011448-107	Transformer 115V to 12 V
	1011514-78	Transformer 230 V to 12 V
4	1011514-79	Controller
5	1011514-80	Fuse Block, 50 HZ Only
6	1011514-81	Fuse, 50 HZ Only
7	1011514-82	Wire harness, Fits All Models
8	1011514-83	Power Cord, 115 Volt Models
	1011514-84	Power Cord, 230 Volt, 50 HZ.
	1011514-85	Power Cord, 230 Volt, 60 HZ.