

Ice-O-Matic[®]

SERVICE PARTS MANUAL 22 INCH WIDE ICE SERIES CUBERS MODEL-ICE0320A4/W4 and ICE0520A4/W4

Includes 50Hz. Units



Ice-O-Matic
11100 East 45th Ave
Denver, Colorado 80239
Part Number 9081356-02

Date 9/12

This parts list contains the service parts available for the following icemakers:

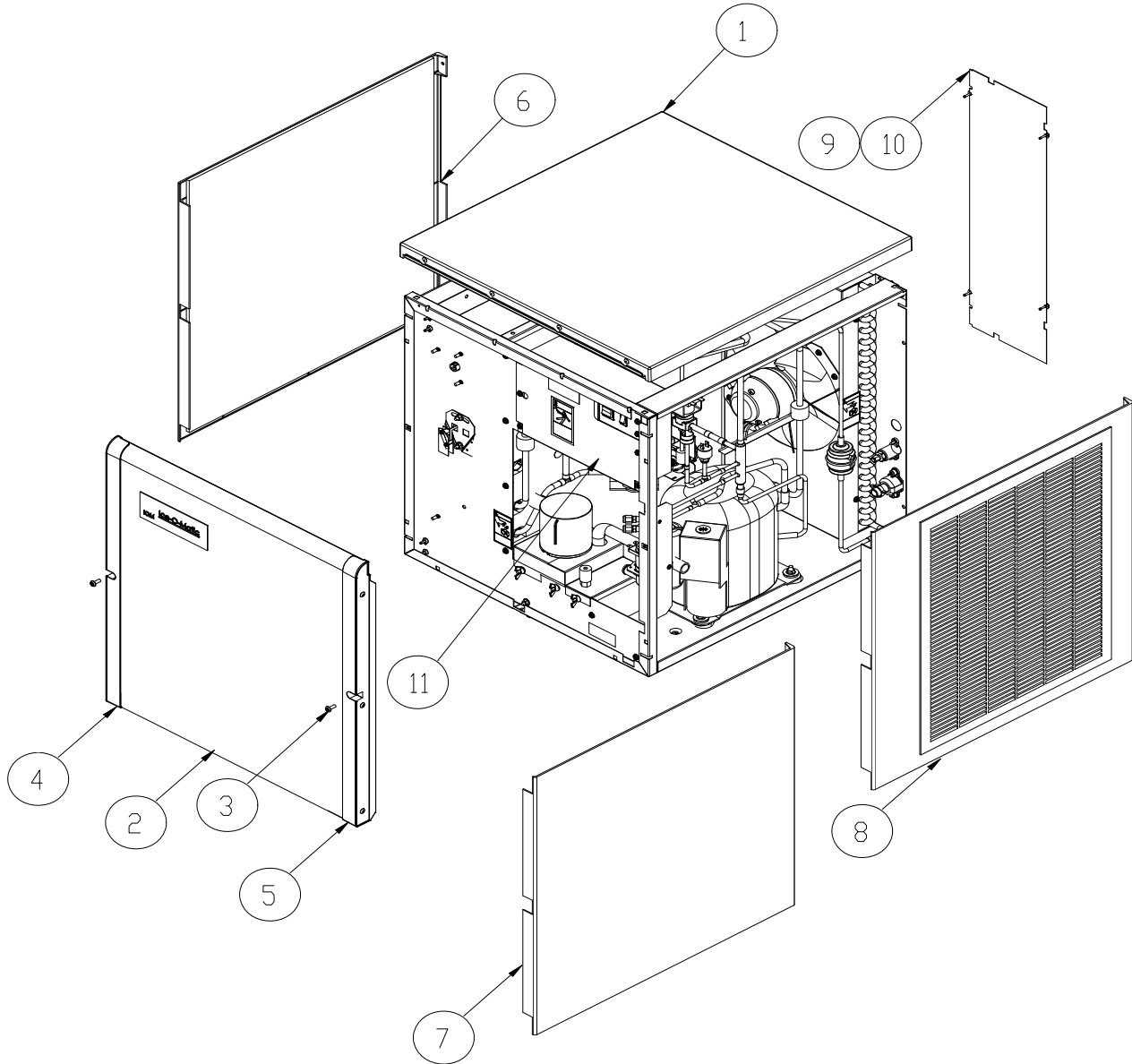
ICE0320*A4
ICE0320*W4
ICE0325*A4
ICE0520*A4
ICE0520*W4
ICE0525*A4

Check the model number on the data plate and refer to the correct listing for the specific component.

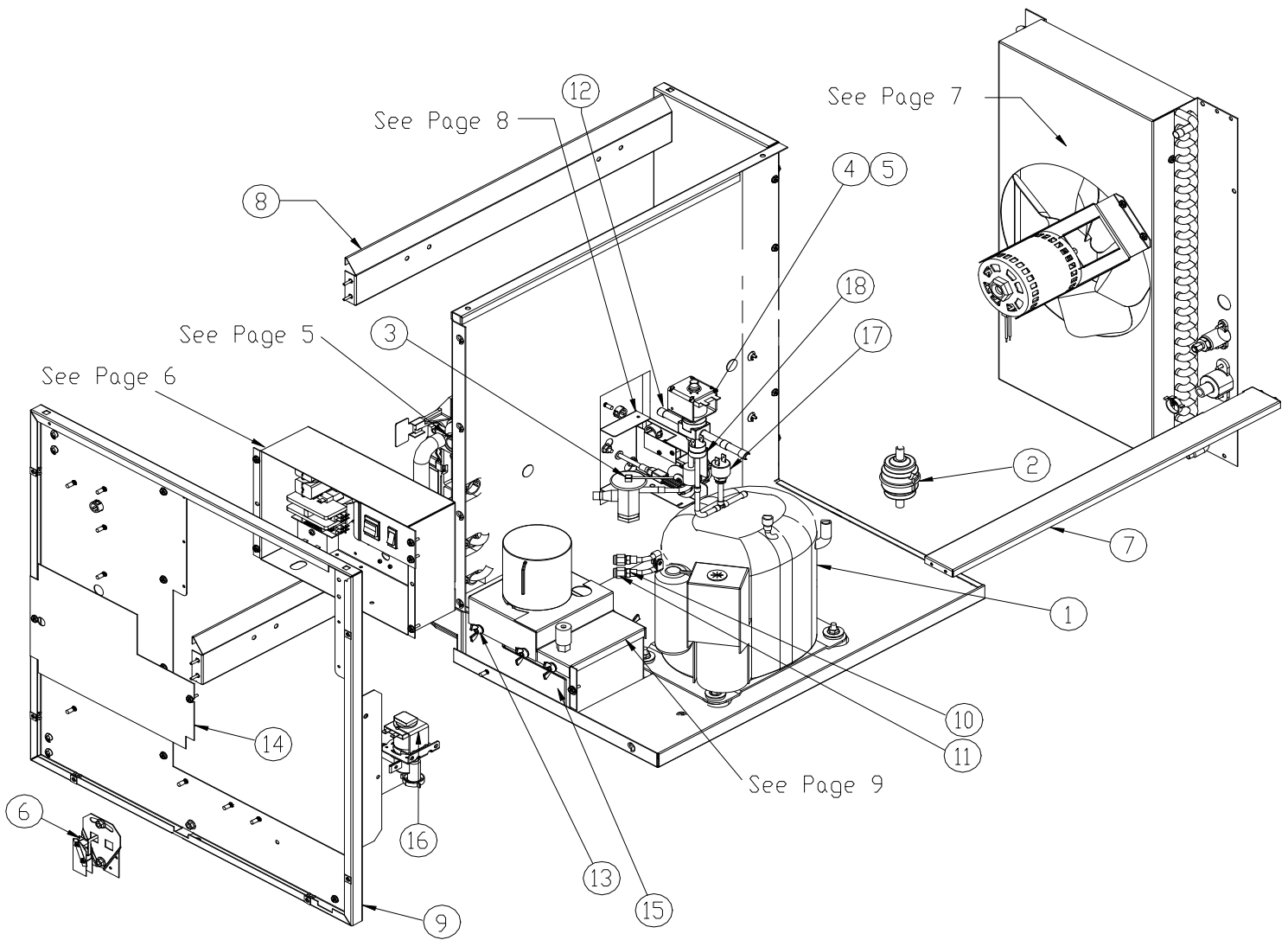
Check carefully that the correct part is identified and ordered.

Table of Contents	Page 1
Cabinet Exterior	Page 2
ICE0320/ICE0520 Air Cooled	Page 3
ICE0320/ICE0520 Water Cooled	Page 4
Evaporator	Page 5
Control Box	Page 6
Fan Assemblies	Page 7
Harvest Assist Components	Page 8
Water Pump/Float	Page 9

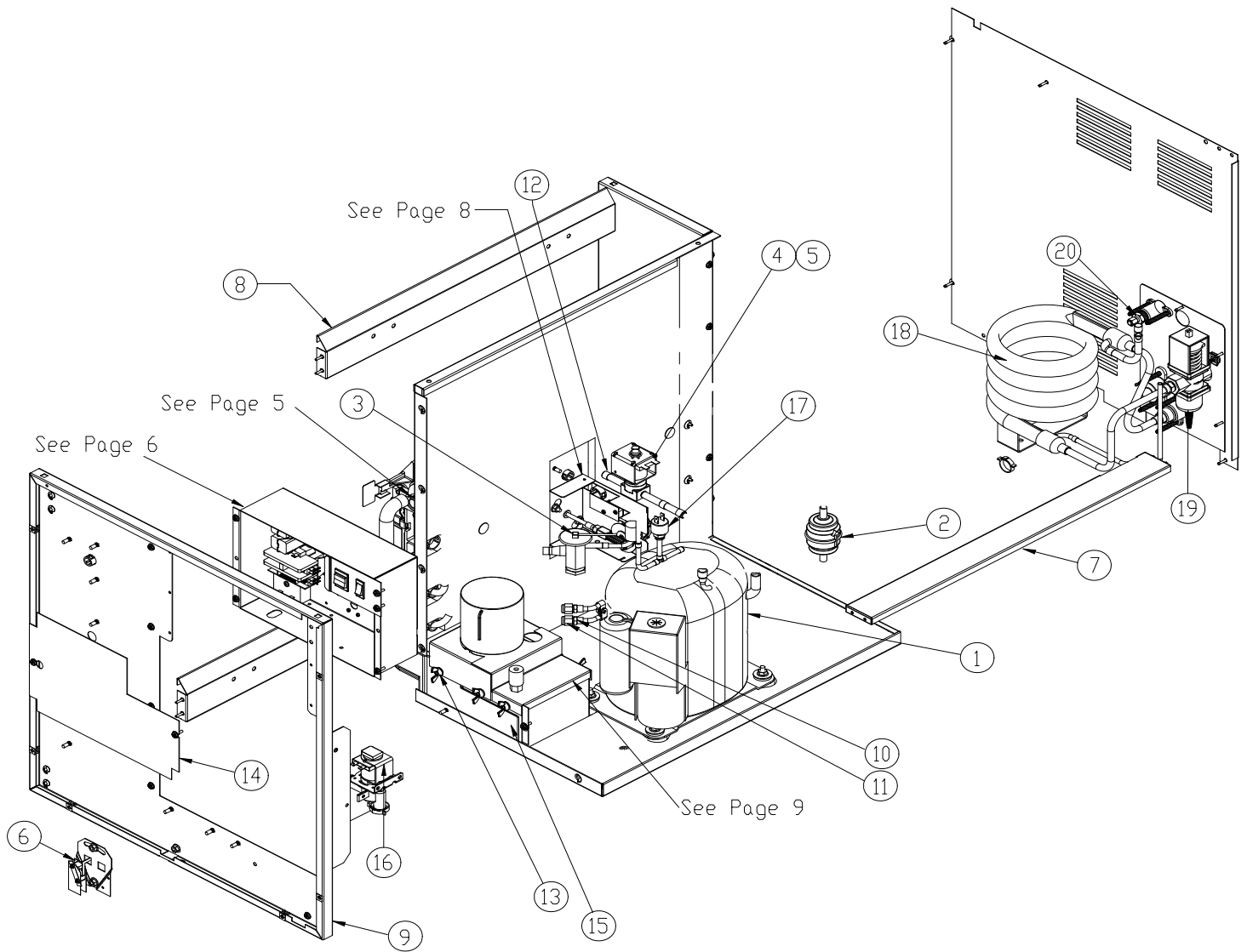
Ice-O-Matic
11100 East 45th Ave.
Denver Co. 80239
800-423-3367



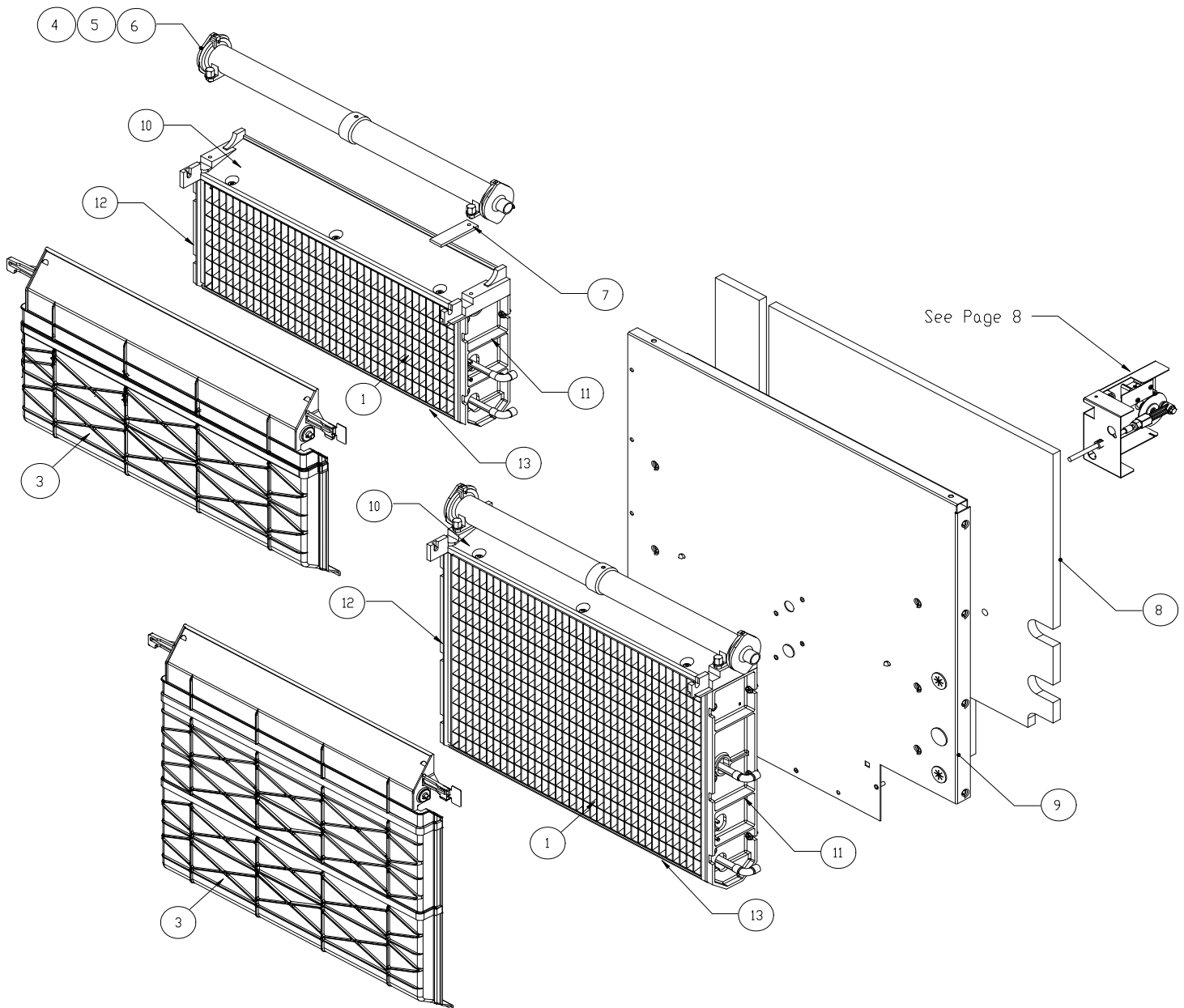
Item No.	Model Number				Description
	ICE0320	ICE0325	ICE0520	ICE0525	
1	2101431-01S	2101431-01S	2101431-01S	2101431-01S	Top Panel
2	2031511-04S	2031511-04S	2031511-04S	2031511-04S	Front Panel
3	9031098-04	9031098-04	9031098-04	9031098-04	Front Panel Screw
4	9051562-06	9051562-06	9051562-06	9051562-06	Front Panel End Cap Left Side
5	9051562-05	9051562-05	9051562-05	9051562-05	Front Panel End Cap Right Side
6	2101436-01	2101436-01	2101436-01	2101436-01	Left Hand Side Panel
7	9051565-06	N/A	9051565-06	N/A	Right Hand Side Panel (Non-Louvered, Water Cooled)
8	2101428-03	2101428-03	2101428-03	2101428-03	Right Hand Side Panel (Louvered, Air Cooled)
9	3021942-01	3021942-01	3021942-01	3021942-01	Rear Panel (Air Cooled)
9	3021943-01	3021943-01	3021943-01	3021943-01	Rear Panel (Water Cooled)
10	9031046-01	9031046-01	9031046-01	9031046-01	Rear Panel Screws
11	3012974-01	3012974-01	3012974-01	3012974-01	Control Box Cover
12	N/A	3013107-01	N/A	3013107-01	Access Panel (50 hz. Only, Not Shown)



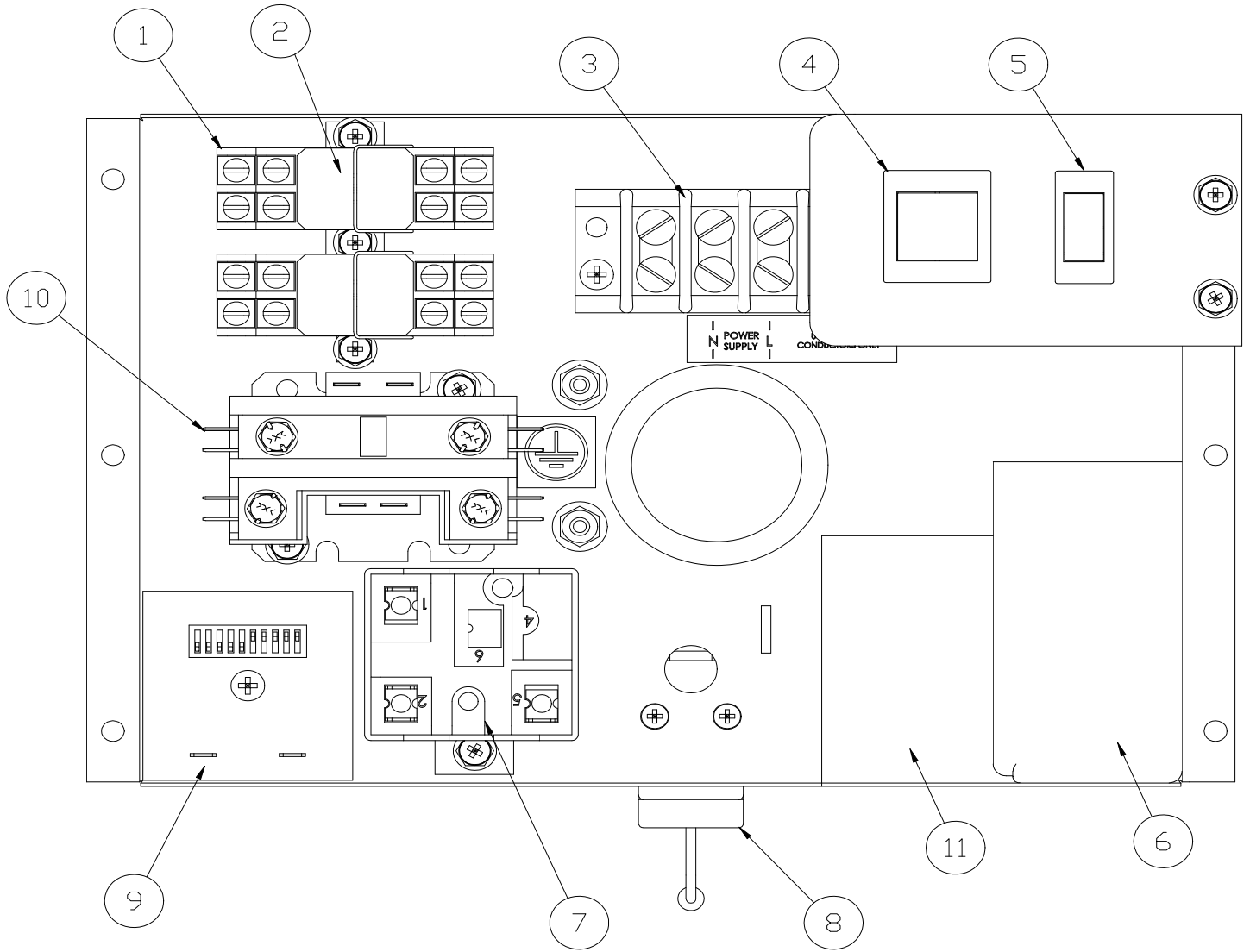
Item No.	Model Number				Description
	ICE0320	ICE0325	ICE0520	ICE0525	
1	9181121-11	9181122-11	9181121-11	9181127-11	Compressor Kit-- See page 6 for Compressor Components
2	9151163-01	9151163-01	9151163-01	9151163-01	Filter Drier (Replaces 9151004-02)
3	9151154-01	9151154-01	9151149-01	9151149-01	Expansion Valve
4	9151123-01	9151123-01	9151123-01	9151123-01	Hot Gas Valve Body
5	9151123-03	9151123-04	9151123-03	9151123-04	Hot Gas Valve Coil
6	9101124-02	9101124-02	9101124-02	9101124-02	Bin Switch
7	2021684-01	2021684-01	2021684-01	2021684-01	Side Brace
8	3013355-01	3013355-01	3013355-01	3013355-01	Ice Deflector
9	2021690-01	2021690-01	2021690-01	2021690-01	Front Frame Panel
10	9091086-03	9091086-03	9091086-03	9091086-03	Service Valve Cap
11	9091086-02	9091086-02	9091086-02	9091086-02	Service Valve Core
12	9041098-01	9041098-01	9041098-01	9041098-01	High Temperature Safety Control
13	9031161-01	9031161-01	9031161-01	9031161-01	Nylon Wing Nut
14	3012974-01	3012974-01	3012974-01	3012974-01	Control Box Cover
15	9051478-01	9051478-01	9051478-01	9051478-01	Water Pan
16	9041086-04	9041086-05	9041086-04	9041086-05	Purge Valve
17	9041091-01	9041091-01	9041091-01	9041091-01	High Pressure Control
18	9041096-01	9041096-01	9041096-01	9041096-01	Fan Cycle Control



Item No.	Model Number				Description
	ICE0320	ICE0325	ICE0520	ICE0525	
1	9181121-11	N/A	9181121-11	N/A	Compressor Kit-- See page 6 for Compressor Components
2	9151163-01	N/A	9151163-01	N/A	Filter Drier (Replaces 9151004-02)
3	9151154-01	N/A	9151149-01	N/A	Expansion Valve
4	9151123-01	N/A	9151123-01	N/A	Hot Gas Valve Body
5	9151123-03	N/A	9151123-03	N/A	Hot Gas Valve Coil
6	9101124-02	N/A	9101124-02	N/A	Bin Switch
7	2021684-01	N/A	2021684-01	N/A	Side Brace
8	3013355-01	N/A	3013355-01	N/A	Ice Deflector
9	2021690-01	N/A	2021690-01	N/A	Front Frame panel
10	9091086-03	N/A	9091086-03	N/A	Service Valve Cap
11	9091086-02	N/A	9091086-02	N/A	Service Valve Core
12	9041098-01	N/A	9041098-01	N/A	High Temperature Safety Control
13	9031161-01	N/A	9031161-01	N/A	Nylon Wing Nut
14	3012974-01	N/A	3012974-01	N/A	Control Box Cover
15	9051478-01	N/A	9051478-01	N/A	Water Pan
16	9041086-04	N/A	9041086-04	N/A	Purge Valve
17	9041091-01	N/A	9041091-01	N/A	High Pressure Control
18	9141121-01	N/A	9141121-01	N/A	Water Cooled Condenser
19	9041059-01	N/A	9041059-01	N/A	Water Regulating Valve



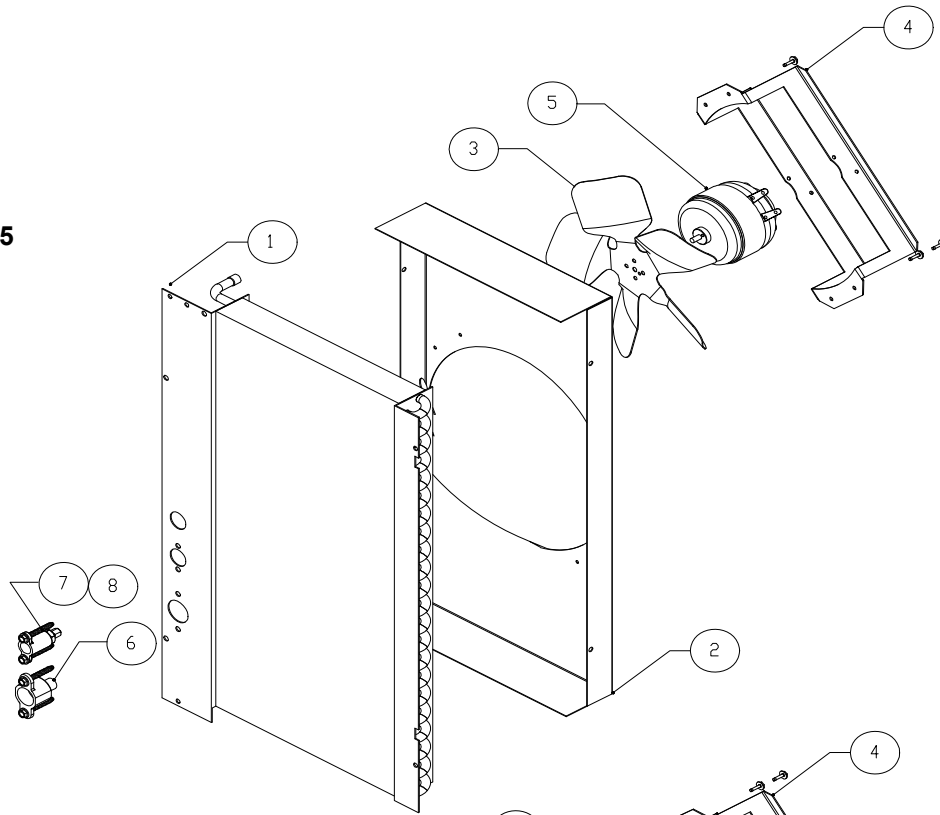
Item No.	Model Number				Description
	ICE0320	ICE0325	ICE0520	ICE0525	
1	2051222-01S	2051222-01S	2051232-81	2051232-81	Evaporator-Full Cube
1	2051222-02S	2051222-02S	2051232-82	2051232-82	Evaporator-Half Cube
3	2101387-01S	2101387-01S	2101355-04S	2101355-04S	Curtain
4	2041338-02	2041338-02	2041338-02	2041338-02	Water Distribution Tube
5	9031122-01	9031122-01	9031122-01	9031122-01	Thumb Screw
6	9031004-19	9031004-19	9031004-19	9031004-19	Washer
7	3012747-01	3012747-01	N/A	N/A	Curtain Stopper Clip
8	9131413-01	9131413-01	9131413-01	9131413-01	Insulation
9	2021651-01	2021651-01	2021651-01	2021651-01	Divider Panel
10	9051135-05	9051135-05	9051135-05	9051135-05	Evaporator Spillway
11	9051136-08	9051136-08	9051136-06	9051136-06	Evaporator Right Side Mounting Panel
12	9051136-07	9051136-07	9161136-05	9161136-05	Evaporator Left Side Mounting Panel
13	9051135-04	9051135-04	9051135-04	9051135-04	Evaporator Water Return



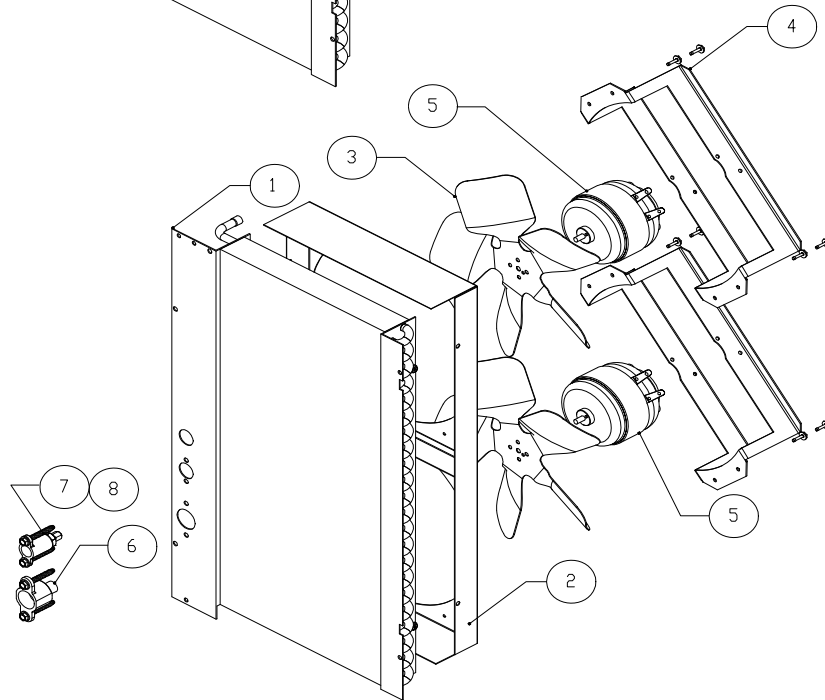
Item No.	Model Number				Description
	ICE0320	ICE0325	ICE0520	ICE0525	
1	9101083-01	9101083-01	9101083-01	9101083-01	Relay Socket
2	9101084-01	9101084-02	9101084-01	9101084-02	Relay
3	9101037-01	9101037-01	9101037-01	9101037-01	Terminal Board
4	9101195-01	9101195-01	9101195-01	9101195-01	On-Off Wash Switch
5	9101139-03	9101139-03	9101139-03	9101139-03	Purge Switch
6	9181003-39	9181003-40	9181003-39	9181003-45	Start Capacitor
7	9181004-27	9181010-26	9181004-27	9181010-30	Compressor Relay
8	9041094-01	9041094-01	9041094-01	9041094-01	Low Pressure Control
9	9101148-01	9101148-01	9101148-01	9101148-01	Timer
10	9101002-07	9101002-06	9101002-07	9101002-06	Contactor
11	N/A	9181009-08	N/A	9181009-08	Run Capacitor
12	9041098-01	9041098-01	9041098-01	9041098-01	High Temp Safety (Not Shown)
13	9101218-11	9101218-11	9101218-11	9101218-11	Water Pump Cord (Not Shown)

Specific Compressor Components				
ICE0320	ICE0325	ICE0520	ICE0525	
9181121-01	9181122-01	9181121-01	9181127-01	Compressor
9181003-39	9181003-40	9181003-39	9181003-45	Start Capacitor
N/A	9181009-08	N/A	9181009-08	Run Capacitor
9181004-27	9181010-26	9181004-27	9181010-30	Relay
9181005-37	9181005-39	9181005-37	9181005-44	Overload

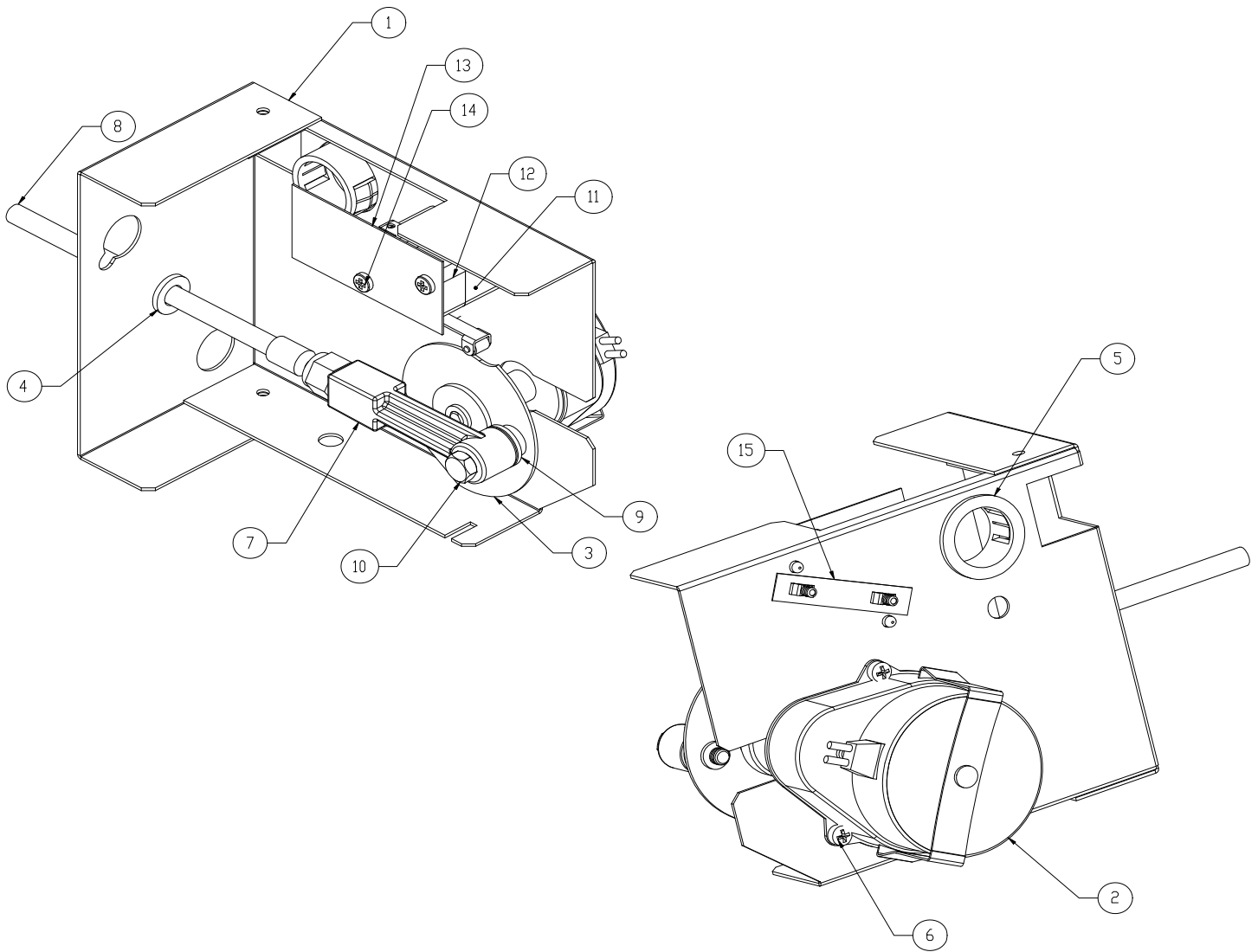
ICE0320/0325



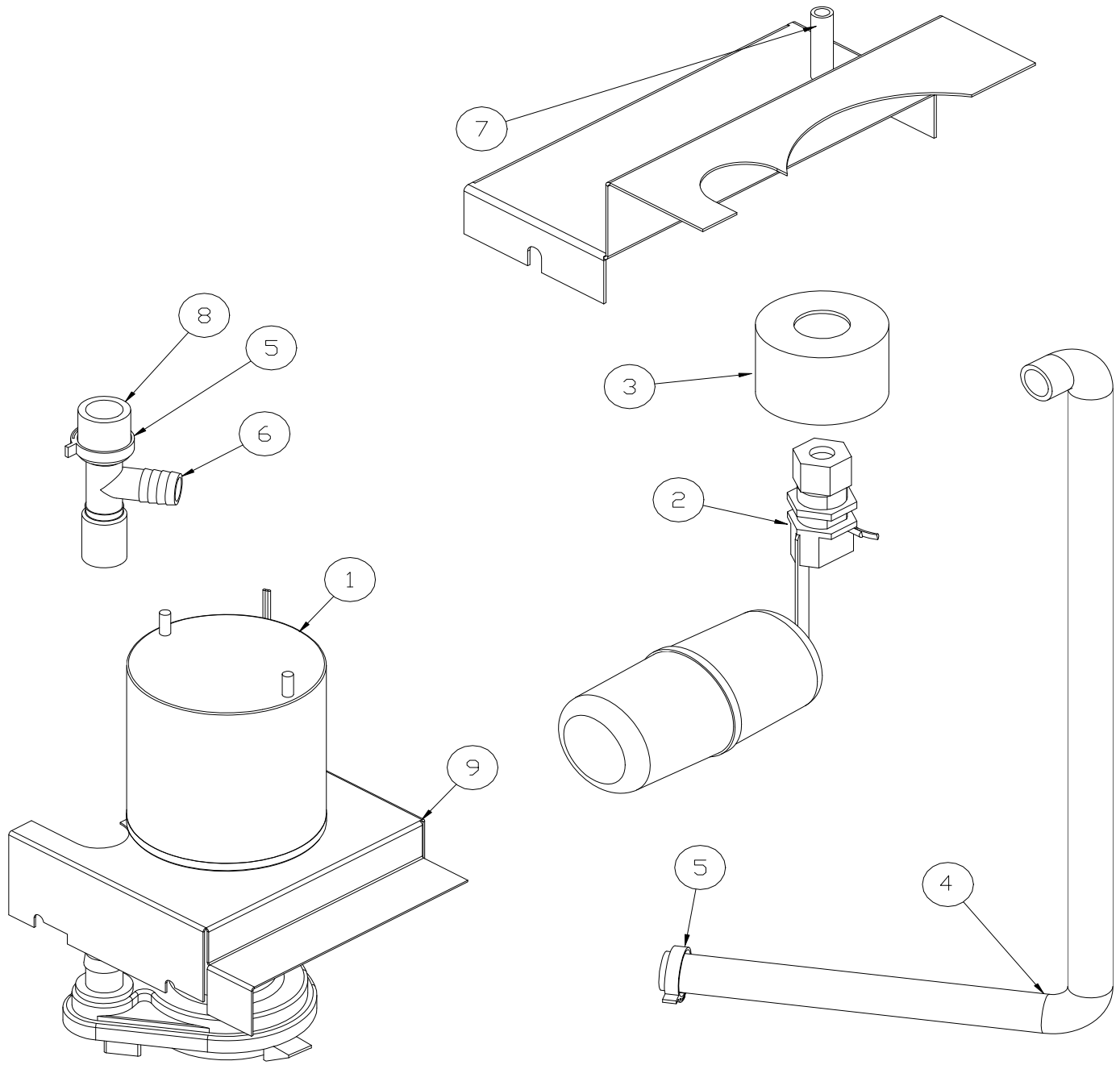
ICE0520/0525



Item No.	Model Number				Description
	ICE0320	ICE0325	ICE0520	ICE0525	
1	9141118-01	9141118-01	9141118-01	9141118-01	Air Condenser
2	3013111-01	3013111-01	2021613-01	2021613-01	Fan Shroud
3	9131384-08	9131384-04	9131384-04	9131384-04	Fan Blade
4	3013252-01	3013252-01	3013252-01	3013252-01	Fan Motor Bracket
5	9161078-01	9161078-02	9161112-01	9161078-02	Fan Motor
6	9091140-01	9091140-01	9091140-01	9091140-01	Drain Fitting
7	9091074-01	9091074-01	9091074-01	9091074-01	Drop Adapter
8	9091083-01	9091083-01	9091083-01	9091083-01	Water Inlet Fitting



Item No.	Model Number				Description
	ICE0320	ICE0325	ICE0520	ICE0525	
1	3013170-01	3013170-01	3013170-01	3013170-01	Bracket, Probe Motor
2	9161030-01	9161031-01	9161030-01	9161031-01	Gear Motor
3	9131190-01	9131190-01	9131190-01	9131190-01	Clutch Assembly 180 Degree
4	9051001-13	9051001-13	9051001-13	9051001-13	Snap Bushing
5	9051001-03	9051001-03	9051001-03	9051001-03	Snap Bushing
6	9031019-08	9031019-08	9031019-08	9031019-08	#6-32 x 1/2 Fillister Head Screw
7	9051057-01	9051057-01	9051057-01	9051057-01	Connecting Rod
8	9021102-01	9021102-01	9021102-01	9021102-01	Probe, Single Length
9	9031003-03	9031003-03	9031003-03	9031003-03	Plain Flat Washer
10	9031119-01	9031119-01	9031119-01	9031119-01	Shoulder Screw
11	9051519-01	9051519-01	9051519-01	9051519-01	Spacer, Cam Switch
12	9101160-01	9101160-01	9101160-01	9101160-01	Cam Switch
13	9131500-01	9131500-01	9131500-01	9131500-01	Insulator, Switch
14	9031008-44	9031008-44	9031008-44	9031008-44	Pan Head Machine Screw
15	9031120-01	9031120-01	9031120-01	9031120-01	Speed Nut Plate
	2061962-01S	2061962-02S	2061962-01S	2061962-02S	Complete Assembly



Item No.	Model Number				Description
	ICE0320	ICE0325	ICE0520	ICE0525	
1	9161076-01	9161076-02	9161076-01	9161076-02	Water Pump
2	9131111-01	9131111-01	9131111-01	9131111-01	Float Assembly
3	9131026-02	9131026-02	9131026-02	9131026-02	Float Splash Shield
4	9051506-02	9051506-02	9051506-01	9051506-01	Water Pump Tube
5	9021010-04	9021010-04	9021010-04	9021010-04	Plastic Clamp
6	9091024-01	9091024-01	9091024-01	9091024-01	Barbed Tee
7	3032898-24	3032898-24	3032898-24	3032898-24	Water Inlet Tube, 1/4 Inch x 24 Inch
8	3051223-10	3051223-10	3051223-10	3051223-10	5/8 Inch ID x 10 Inch Long Tube
9	3013076-01	3013076-01	3013076-01	3013076-01	Water Pump Bracket