

# ***Ice-O-Matic***<sup>®</sup>

## **SERVICE PARTS MANUAL 22 INCH WIDE ICE SERIES CUBERS MODEL-ICE0726R and ICE0926R**



Ice-O-Matic  
11100 East 45th Ave  
Denver, Colorado 80239  
14-1031

Date 9/21/15

This parts list contains the service parts available for the following icemakers:

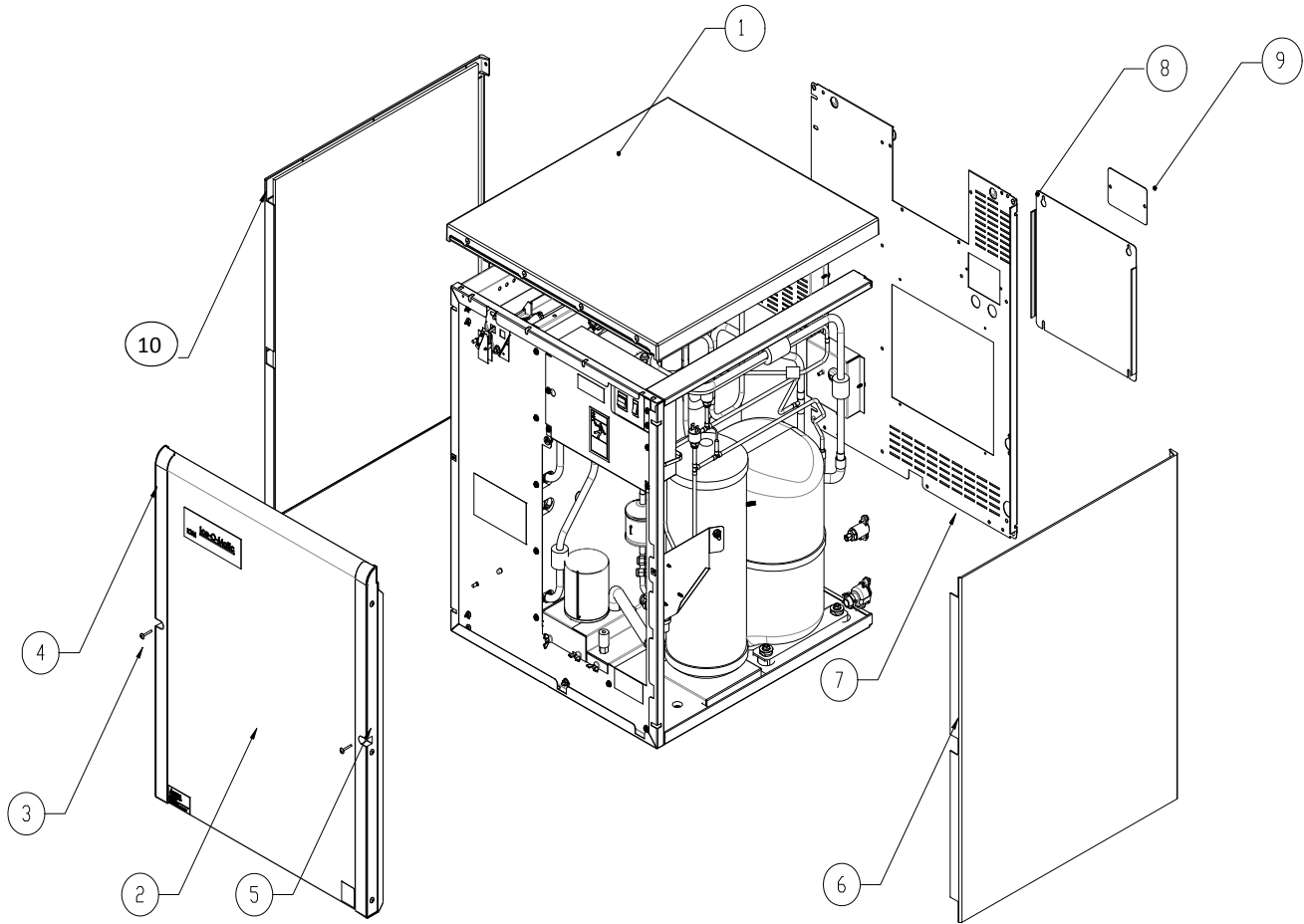
ICE0726R  
ICE0926R

**Check the model number on the data plate and refer to the correct listing for the specific component.**

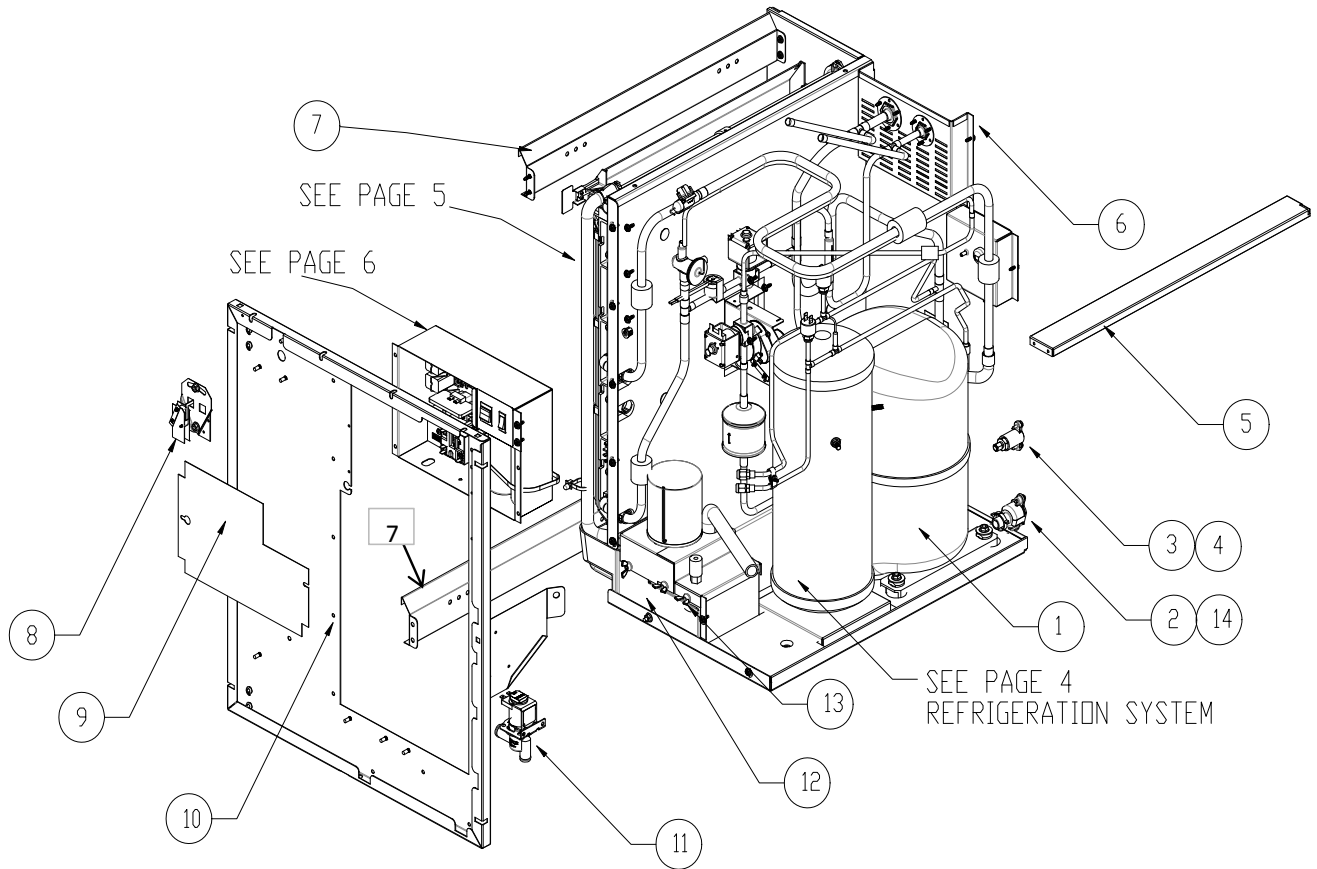
Check carefully that the correct part is identified and ordered.

Table of Contents	Page 1
Exterior Panels	Page 2
Chassis	Page 3
Refrigeration System	Page 4
Evaporator	Page 5
Control Box and Compressor Components	Page 6
Harvest Assist Components	Page 7
Water Pump/Float	Page 8
VRC Condenser	Page 9

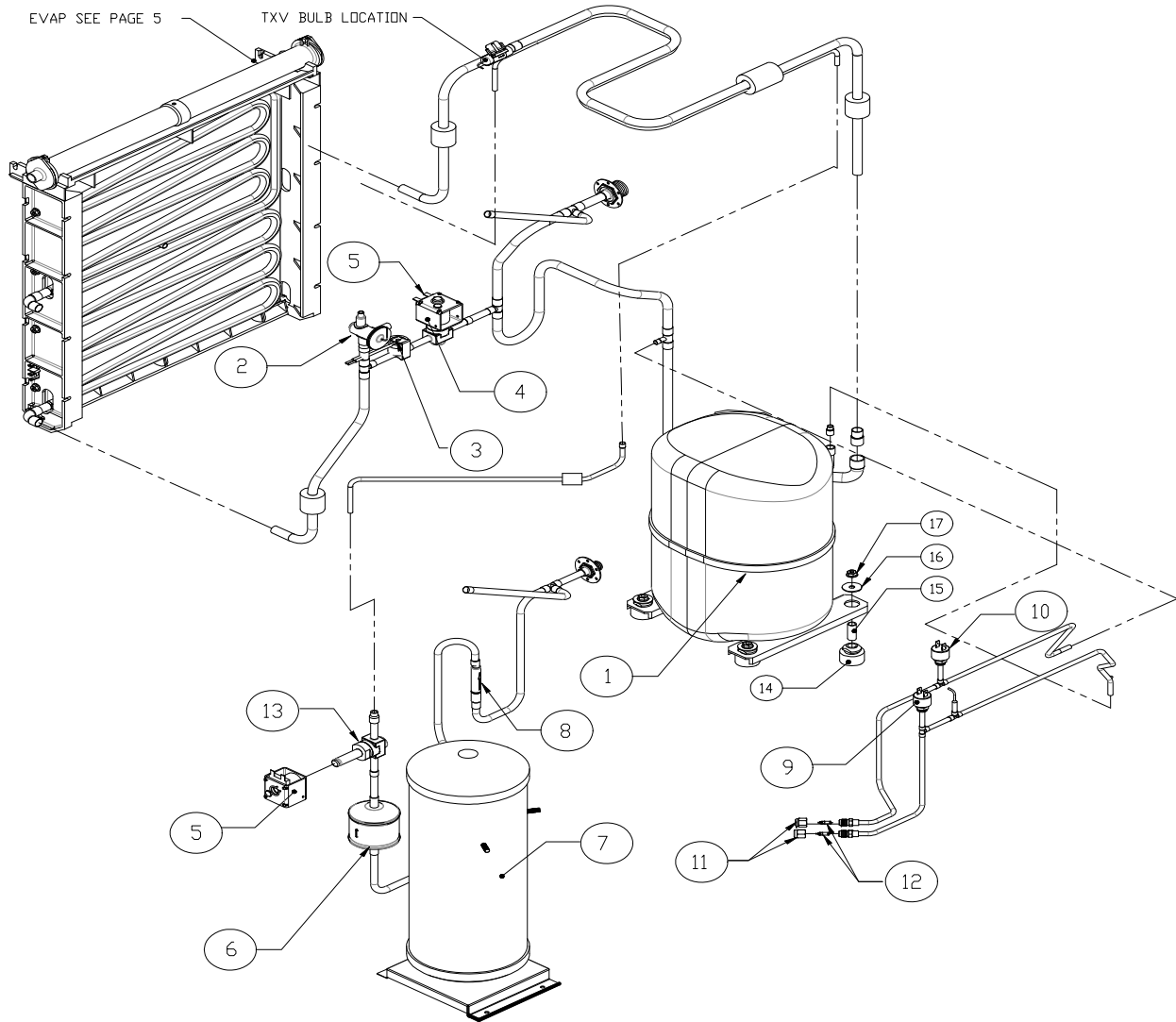
Ice-O-Matic  
11100 East 45th Ave.  
Denver Co. 80239  
800-423-3367



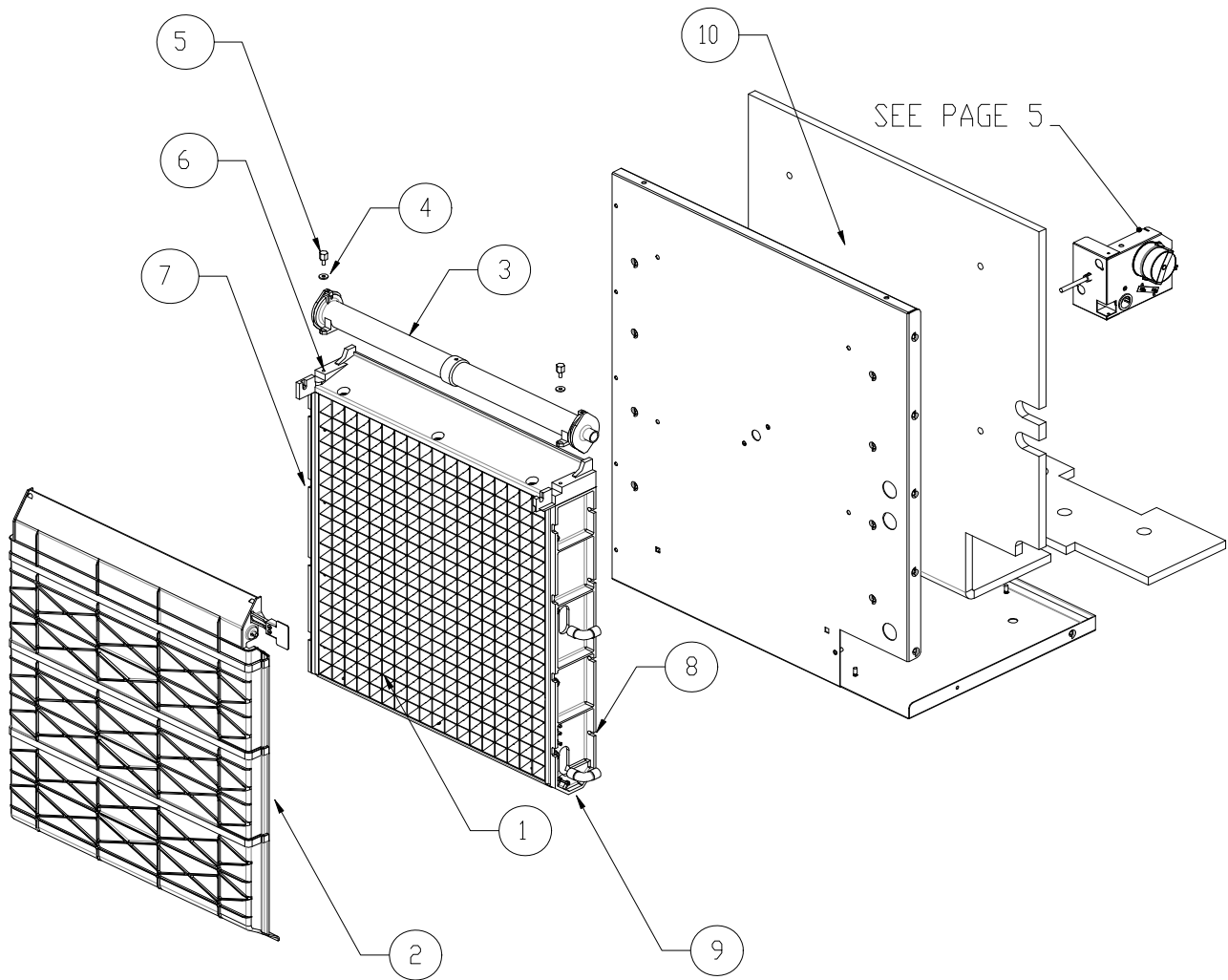
Exterior Panels			
Item #	Model Number		Description
	ICE0726R	ICE0926R	
1	<a href="#">2101431-01S</a>	<a href="#">2101431-01S</a>	Top Panel
2	2031520-01S	2031520-01S	Front Panel
3	9031098-04	9031098-04	Front Panel Screw
4	<a href="#">9051562-03</a>	<a href="#">9051562-03</a>	Front Panel End Cap <b>Left Side</b>
5	<a href="#">9051562-04</a>	<a href="#">9051562-04</a>	Front Panel End Cap <b>Right Side</b>
6	3021969-01	3021969-01	Side Panel
7	<a href="#">2021712-01</a>	<a href="#">2021712-01</a>	Rear Panel
8	<a href="#">3013452-01</a>	<a href="#">3013452-01</a>	Rear Access Panel
9	3013267-01	3013267-01	Junction Box Cover
10	2101466-01S	2101466-01S	Side Panel Assy with Insulation



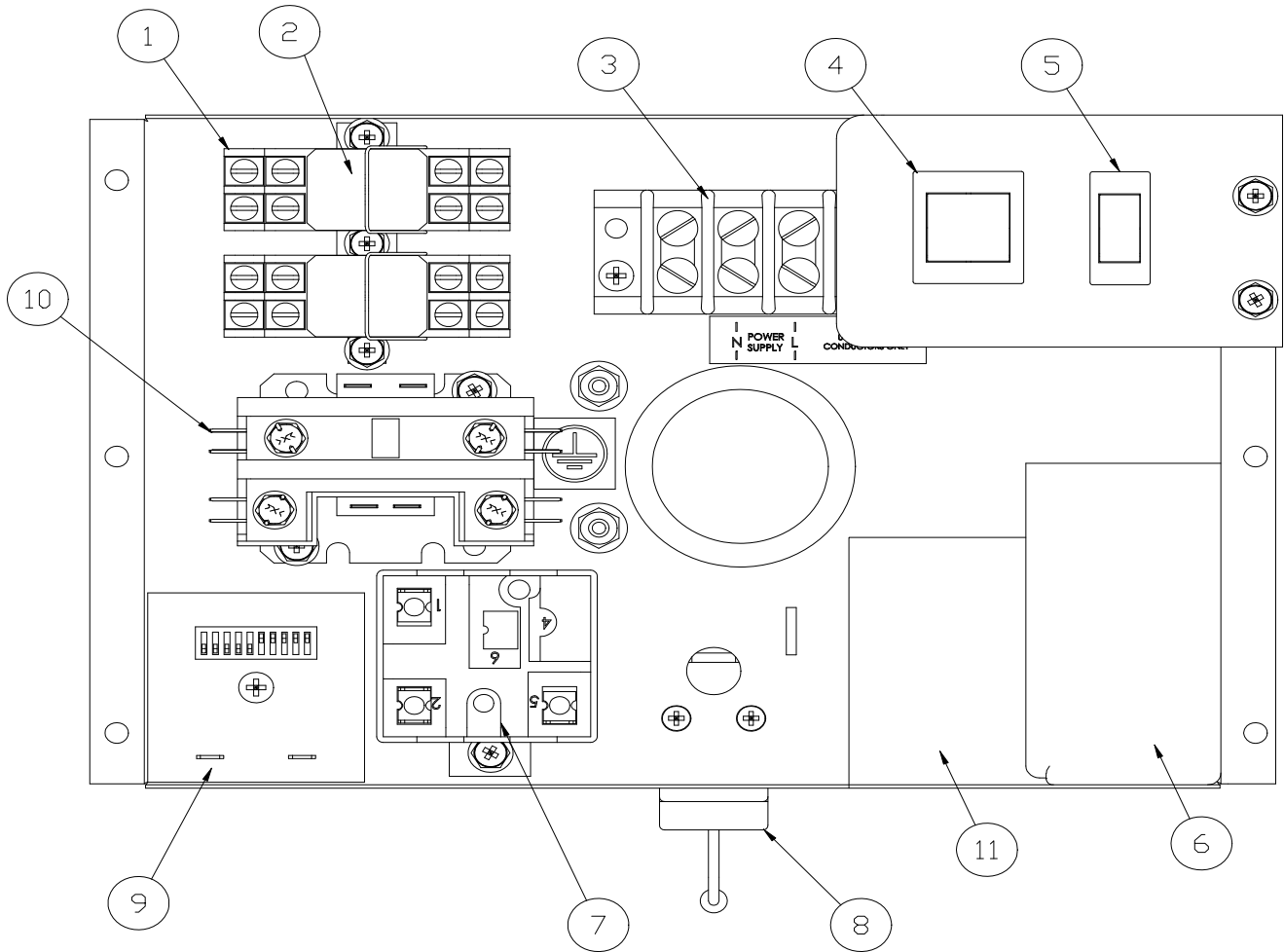
Remote			
Item #	Model Number		Description
	ICE0726R	ICE0926R	
1	See Page 6	See Page 6	Compressor Kit-- See Page 6 for Compressor Components
2	9091140-01	9091140-01	Drain Fitting
3	9091074-01	9091074-01	Drop Adapter Fitting
4	9091083-01	9091083-01	Water Inlet Body, Does Not Include Nut
	9091083-03	9091083-03	Water Inlet Nut, Does Not Include Body
5	3013454-01	3013454-01	Brace, Side 22IN, tall
6	3013466-01	3013466-01	Bracket, Remote Fittings
7	3013355-01	3013355-01	Ice Deflector
8	2061471-03	2061471-03	Bin Control Assembly, Includes Bracket and Bin Switch
	9101124-02	9101124-02	Bin Switch
9	3012974-01	3012974-01	Control Box Cover
10	2021711-01	2021711-01	Assembly, Frame Front 22IN, Tall
11	9041105-05	9041105-05	Purge Valve, 240VAC
12	9051478-01	9051478-01	Water Pan ICE-22
13	9031161-01	9031161-01	Nylon Wing Nut
14	3051222-22	3051222-22	9/16" ID X 22" L ong, P.V.C. Tubing, N.S.F.(Drain)



Refrigeration System			
Item #	Model Number		Description
	ICE0726R	ICE0926R	
1	<a href="#">See Page 6</a>	<a href="#">See Page 6</a>	Compressor Kit-- See page 6 for Compressor Components
2	<a href="#">9151165-01</a>	<a href="#">9151165-01</a>	Expansion Valve
3	<a href="#">9041098-01</a>	<a href="#">9041098-01</a>	High Temperature Safety Control
4	<a href="#">9151123-02</a>	<a href="#">9151123-02</a>	Hot Gas Valve Body
5	<a href="#">9151123-04</a>	<a href="#">9151123-04</a>	Hot Gas Valve Coil
5	<a href="#">9151123-04</a>	<a href="#">9151123-04</a>	Liquid Line Valve Coil
6	<a href="#">9151163-03</a>	<a href="#">9151163-03</a>	Drier
7	<a href="#">9151060-01</a>	<a href="#">9151060-01</a>	Receiver
8	<a href="#">9151139-01</a>	<a href="#">9151139-01</a>	Check Valve
9	<a href="#">9041092-02</a>	<a href="#">9041092-02</a>	Pump Down Control
10	<a href="#">9041091-01</a>	<a href="#">9041091-01</a>	High Pressure Control
11	<a href="#">9091086-03</a>	<a href="#">9091086-03</a>	Service Valve Cap
12	<a href="#">9091086-02</a>	<a href="#">9091086-02</a>	Service Valve Core
12A	<a href="#">9091086-01</a>	<a href="#">9091086-01</a>	Service Valve Body
13	<a href="#">9151123-02</a>	<a href="#">9151123-02</a>	Liquid Line Solenoid Body
14	<a href="#">9181002-09</a>	<a href="#">9181002-09</a>	Grommet
15	<a href="#">9181002-02</a>	<a href="#">9181002-02</a>	Compressor Sleeve
16	<a href="#">9031004-02</a>	<a href="#">9031004-02</a>	Flat Washer
17	<a href="#">9031118-02</a>	<a href="#">9031118-02</a>	Lock Nut



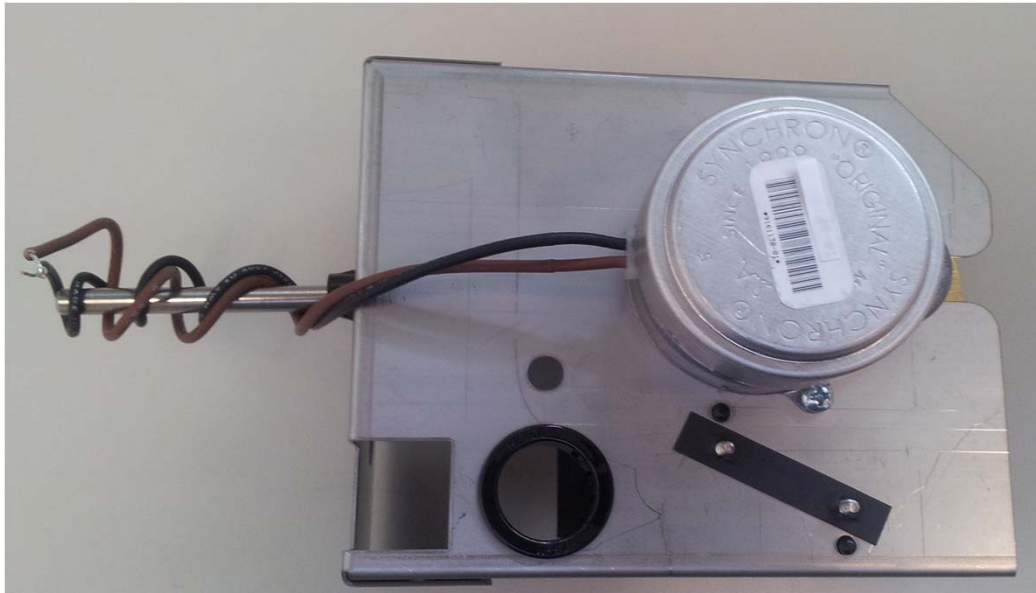
Evaporator			
Item #	Model Number		Description
	ICE0726R	ICE0926R	
1	<a href="#">2051251-81</a>	<a href="#">2051251-81</a>	Evaporator-Full Cube
1	<a href="#">2051251-82</a>	<a href="#">2051251-82</a>	Evaporator-Half Cube
2	<a href="#">2101465-01S</a>	<a href="#">2101465-01S</a>	Curtain
3	<a href="#">2041338-02</a>	<a href="#">2041338-02</a>	Water Distribution Tube
4	<a href="#">9031122-01</a>	<a href="#">9031122-01</a>	Thumb Screw
5	<a href="#">9031004-19</a>	<a href="#">9031004-19</a>	Washer
6	<a href="#">9051135-05</a>	<a href="#">9051135-05</a>	Evaporator Spillway
7	<a href="#">9051170-04</a>	<a href="#">9051170-04</a>	Evaporator <b>Left</b> Side Mounting Panel
8	<a href="#">9051170-03</a>	<a href="#">9051170-03</a>	Evaporator <b>Right</b> Side Mounting Panel
9	<a href="#">9051135-04</a>	<a href="#">9051135-04</a>	Evaporator Water Return
10	<a href="#">9131508-01</a>	<a href="#">9131508-01</a>	Insulation



Control Box			
Item #	Model Number		Description
	ICE0726R	ICE0926R	
1	9101083-01	9101083-01	Relay Socket
2	9101084-02	9101084-02	Relay
3	NA	NA	Terminal Board (NA=Not Applicable)
4	9101349-01	9101349-01	<b>ON-OFF-WASH</b> Switch (9101195-01 is NLA)
4	1051208-01	1051208-01	Purge Switch- <b>Prior to SN1407</b> (9101139 is NLA)
5	9101348-01	9101348-01	Purge Switch- <b>From to SN1407</b> (9101139 is NLA)
6	9181003-07	9181003-07	Start Capacitor
7	9181010-12	9181010-12	Compressor Relay
8	9041094-01	9041094-01	Low Pressure Control
9	9101148-01	9101148-01	Timer
10	9101002-06	9101002-06	Contactor
11	9181009-16	9181009-16	Run Capacitor
12	9041098-01	9041098-01	High Temp Safety (Not Shown)
13	9101218-16	9101218-16	Water Pump Cord (Not Shown)

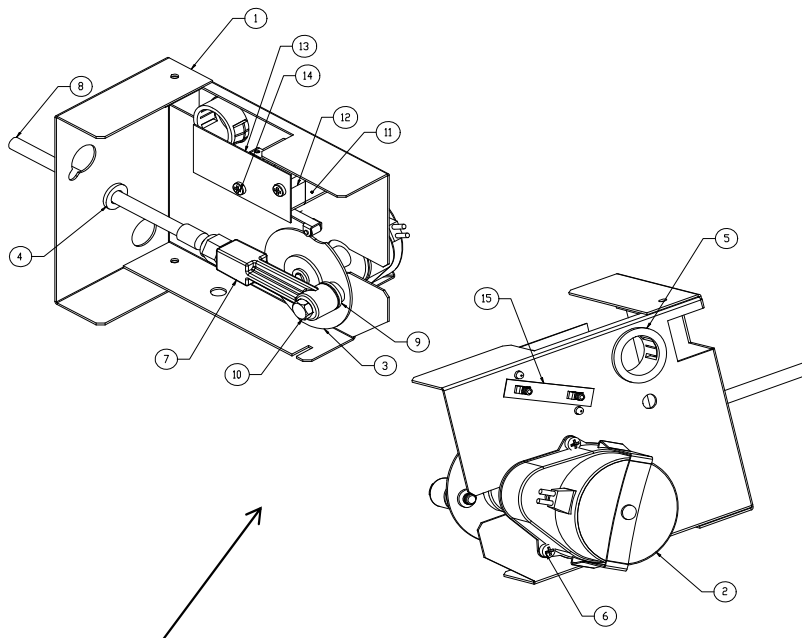
9181139-11	9181140-11	Compressor Kit
9181003-07	9181003-07	Start Capacitor
9181009-16	9181009-16	Run Capacitor
9181010-12	9181010-12	Relay
n/a	n/a	Overload

Item #	Model Number		Description
	ICE0726R	ICE0926R	
	1051210-02	1051210-02	Complete Assembly
	2061962-02S	2061962-02S	No Longer Available

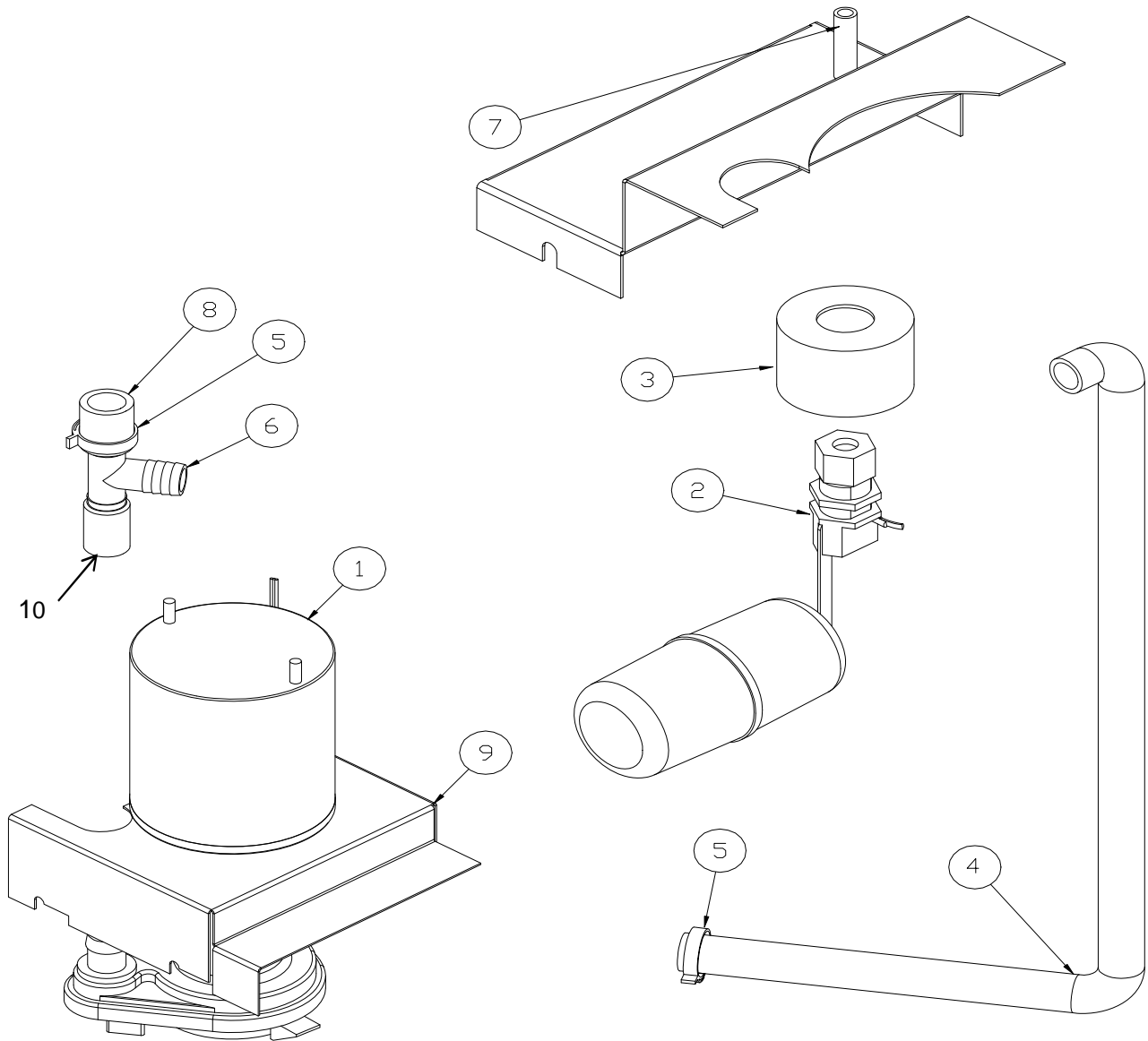


**1051210-XX Reference above for Specific Model Number and Part Number**

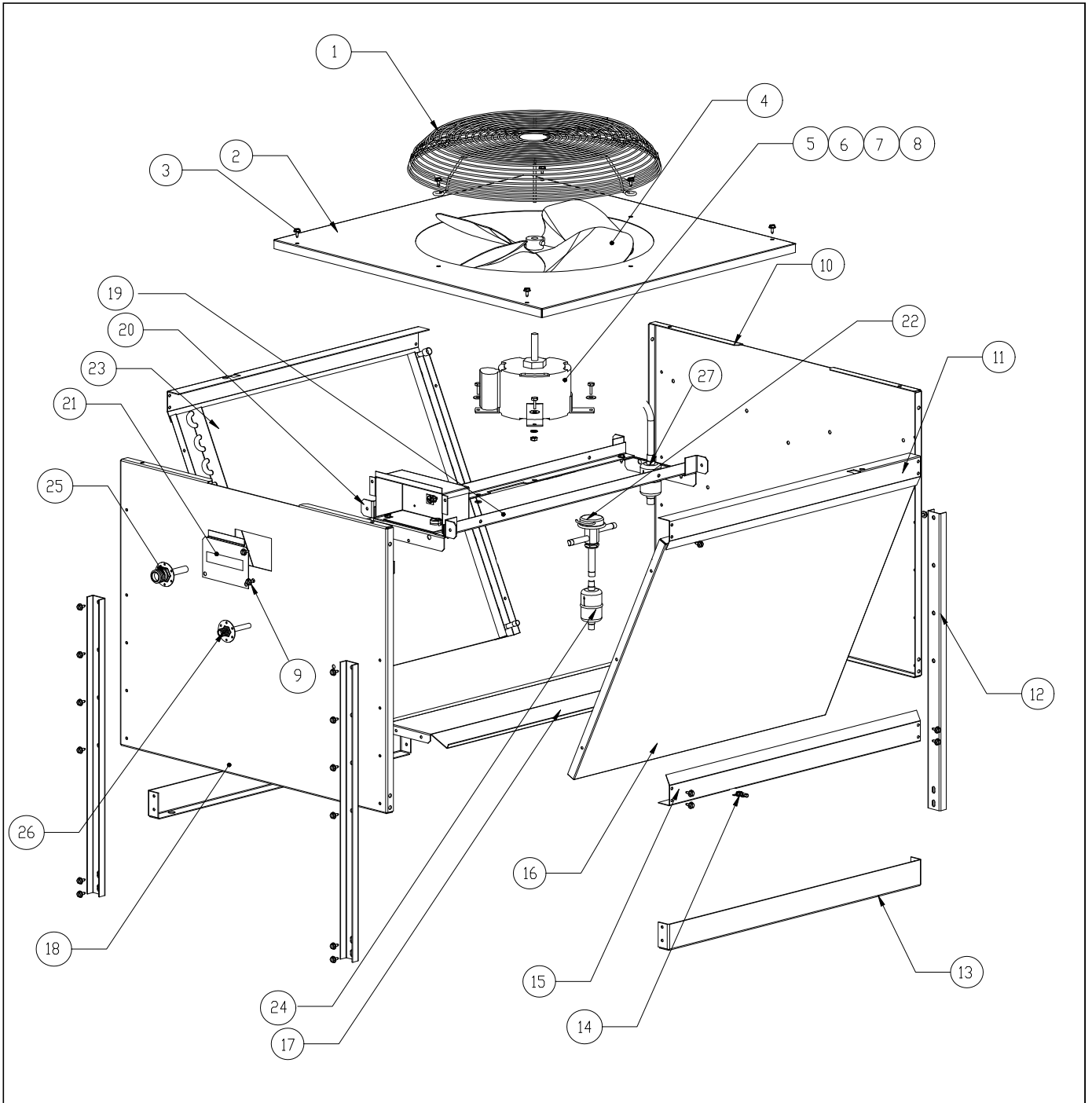
- The **1051210-XX** assembly will fit all ICE Models from October 1999 and EC Models.
- Units installed with a double cam switch, either Field installed or Factory installed will require the complete assembly and a potential wiring change as per the New Wiring Diagram included with the assembly.
- Individual component parts are not available for the **1051210-XX** assembly.
- Individual component parts are No Longer Available for previous version of the Harvest Assist Assembly
- Parts for the **2061962-XX** Harvest Assist Assembly are not compatible with **1051210-XX** Harvest Assist Assembly.
- Proper assembly and alignment of the parts is critical to proper operation, this includes cam and probe alignment.
- If a **1051210-XX** assembly fails, it must be returned to Ice-O-Matic.



**2061962-02S No Longer Available**



Water Pump/Float			
Item #	Model Number		Description
	ICE0726R	ICE0926R	
1	<a href="#">9161079-03</a>	<a href="#">9161079-03</a>	Water Pump
2	<a href="#">9131111-101</a>	<a href="#">9131111-101</a>	Float Assembly (Includes Fittings)
3	<a href="#">9131026-02</a>	<a href="#">9131026-02</a>	Float Splash Shield
4	<a href="#">9051627-01</a>	<a href="#">9051627-01</a>	Water Pump Tube
5	<a href="#">9021010-04</a>	<a href="#">9021010-04</a>	Plastic Clamp
6	<a href="#">9091024-01</a>	<a href="#">9091024-01</a>	Barbed Tee
7	<a href="#">3032898-26</a>	<a href="#">3032898-26</a>	Water Inlet Tube, 1/4 Inch x 26 Inch
8	<a href="#">9051541-01</a>	<a href="#">9051541-01</a>	Purge Tube, 5/8 Inch ID x 10 inch
9	<a href="#">3013076-01</a>	<a href="#">3013076-01</a>	Water Pump Bracket
10	<a href="#">3051223-02</a>	<a href="#">3051223-02</a>	Pump Tube - T Fitting to Pump



ICE0726R ICE0926R
----------------------

Item		VRC2061		Description
1		<a href="#">9131452-01</a>		Fan Guard
2		<a href="#">3013222-01</a>		Top Panel
3		9031019-04		¼-20 x 1/2 Screw
4		<a href="#">9131451-01</a>		Fan Blade
5		<a href="#">9161117-01</a>		Fan Motor
6		9031001-02		¼-20 x ¾ Cap Screw
7		9031003-01		Flat Washer
8		9031118-02		Flanged Lock Nut
9		9031019-04		¼-20 x 1/2 Screw
10		<a href="#">3013224-01</a>		Rear Panel
11		<a href="#">3013226-01</a>		Brace
12		<a href="#">3013227-01</a>		Leg
13		<a href="#">3013228-01</a>		Leg Brace
14		N/A		T-Nut-Shipping Only
15		<a href="#">3013226-01</a>		Brace
16		N/A		Cover Panel
17		<a href="#">3013225-01</a>		Center Panel
18		<a href="#">3013223-01</a>		Front Panel
19		<a href="#">3013234-01</a>		Motor Brace
20		<a href="#">3013233-01</a>		Motor Brace Support
21		<a href="#">3013229-01</a>		Junction Box Cover
22		<a href="#">9151142-02</a>		Mixing Valve
23		9141130-01		Condenser
24		<a href="#">9151143-01</a>		Filter
25		<a href="#">9091001-12</a>		1/2 Coupling
26		<a href="#">9091001-11</a>		3/8 Coupling
27		<a href="#">9151143-02</a>		Filter