

Ice-O-Matic®

SERVICE PARTS MANUAL ICE SERIES CUBERS

— ICE0806 A1, W1 and R1 Includes 50 Hz models

— ICE0806 A2, W2 and R2 Includes 50 Hz models

— ICE0806 R3 Includes 50 Hz models

ICE0806 A2A, W2A and R3A Includes 50 Hz models

— ICE1006 A1, W1 and R1 Includes 50 Hz models

— ICE1006 A2, W2 and R2 Includes 50 Hz models

— ICE1006 R3 Includes 50 Hz models

ICE1006 A2A, W2A and R3A Includes 50 Hz models



ICE Series Service Parts

This parts list contains the service parts available for the ICE Series icemakers listed below.

ICE0806 A1, W1 and R1 Includes 50 Hz models
ICE0806 A2, W2 and R2 Includes 50 Hz models
ICE0806 R3 Includes 50 Hz models
ICE0806 A2A, W2A and R3A Includes 50 Hz models

ICE1006 A1, W1 and R1 Includes 50 Hz models
ICE1006 A2, W2 and R2 Includes 50 Hz models
ICE1006 R3 Includes 50 Hz models
ICE1006 A2A, W2A and R3A Includes 50 Hz models

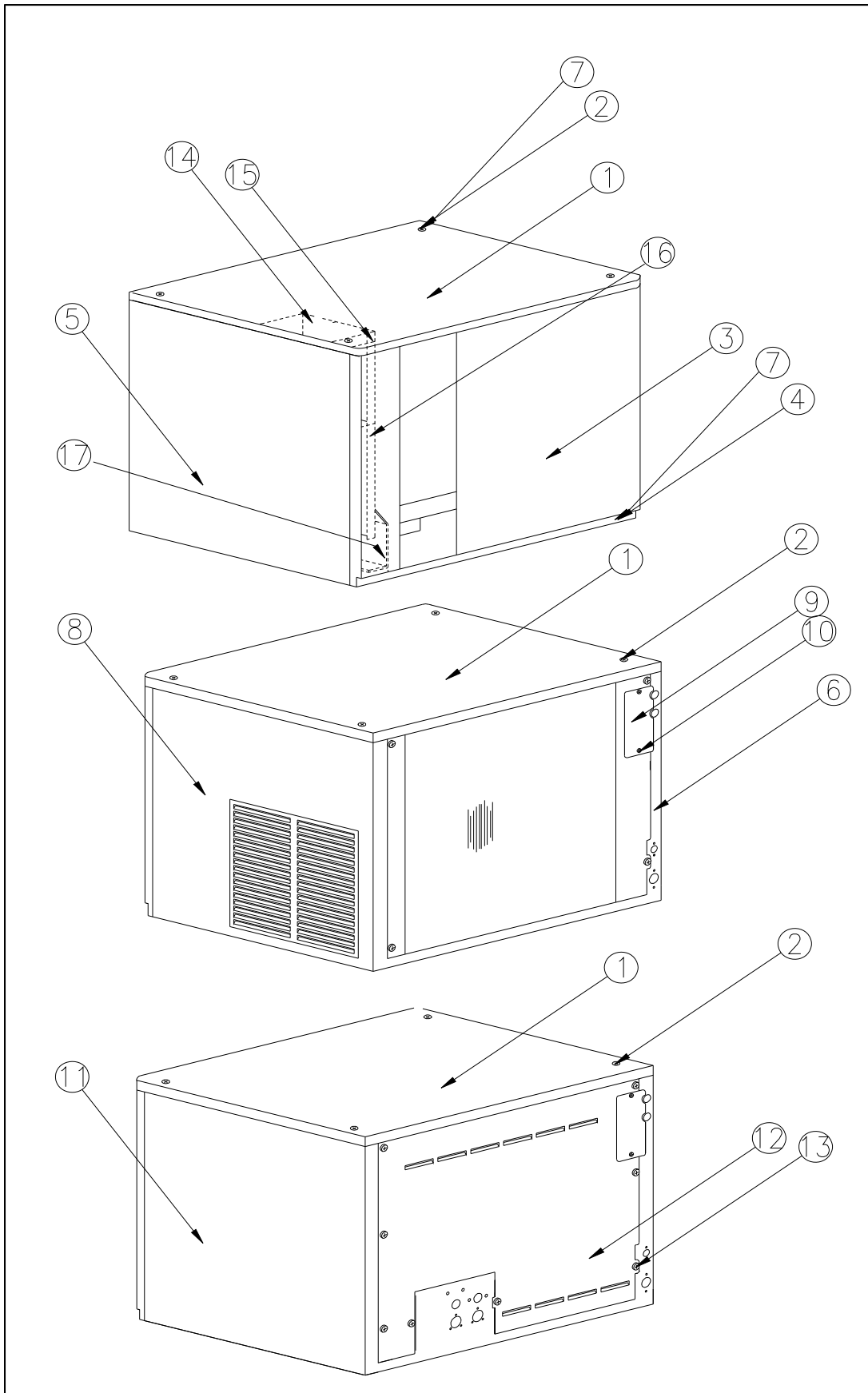
Check the model number on the data plate and refer to the correct listing for the specific component.

Check carefully that the correct part is identified and ordered.

Table of Contents	Page 1
Exterior Components	Page 2 - 3
Interior Components-Front View	Page 4 - 5
Air Cooled	Page 6 - 7
Water Cooled	Page 8 - 9
Remote	Page 10 - 11
Control Box	Page 12 - 13
Specific Compressor Components	Page 13
Old Style Harvest Assist Assembly	Page 14 - 15
New Style Harvest Assist Assembly	Page 16 - 17
Remote Condenser	Page 18 - 19

Ice-O-Matic
11100 East 45th Ave.
Denver Co. 80239
866-PUREICE

The ICE Series Service manual is available separately, Part number 9081270-01



ICE Series Service Parts

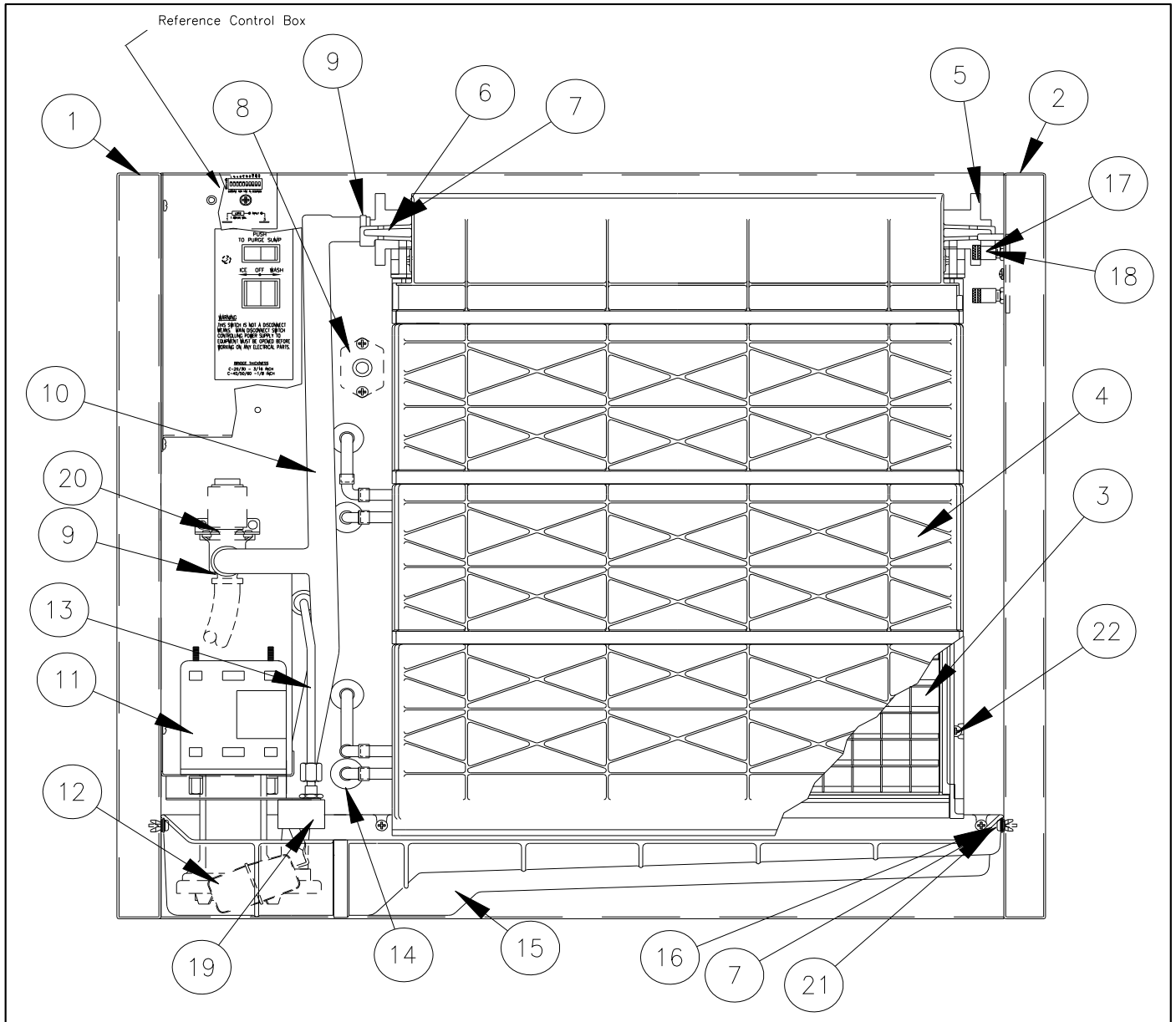
Exterior Components

Item No.	Description	Model Number				
		ICE0805	ICE0806	ICE1005	ICE1006	ICE1007
1	Top Panel-Air Cooled	2101285-01S	2101285-01S	2101285-01S	2101285-01S	2101285-01S
1	Top Panel-Water and Remote	9051466-01	9051466-01	9051466-01	9051466-01	9051466-01
1	Top Panel-Wall Hugger Remote	9051466-03	9051466-03	9051466-03	9051466-03	9051466-03
2	Top Panel Screw	9031098-02	9031098-02	9031098-02	9031098-02	9031098-02
3	Front Panel	2031465-03	2031465-03	2031465-03	2031465-03	2031465-03
4	Front Panel Screw	9031098-02	9031098-02	9031098-02	9031098-02	9031098-02
5	LH Side Panel	3021773-01	3021773-01	3021773-01	3021773-01	3021773-01
6	Side Panel Screws	9031046-02	9031046-02	9031046-02	9031046-02	9031046-02
7	Plastic Nut Insert	9031141-01	9031141-01	9031141-01	9031141-01	9031141-01
8	RH Side Panel- Louvered	3021794-01	3021794-01	3021794-01	3021794-01	3021794-01
9	Junction Box Cover	3012681-01	3012681-01	3012681-01	3012681-01	3012681-01
10	Junction Box Cover Screw	9031046-01	9031046-01	9031046-01	9031046-01	9031046-01
11	RH Side Panel- Solid	3021775-01	3021775-01	3021775-01	3021775-01	3021775-01
12	Rear Panel	3021740-01	3021740-01	3021740-01	3021740-01	3021740-01
13	Rear Panel Screw	9031046-01	9031046-01	9031046-01	9031046-01	9031046-01
14	Control Box Top Cover	3012905-01	3012905-01	3012905-01	3012905-01	3012905-01
15	Control Box Side Cover	3012891-01	3012891-01	3012891-01	3012891-01	3012891-01
16	Control Box Screws	9031046-01	9031046-01	9031046-01	9031046-01	9031046-01

ICE0806 A2A, W2A and R3A Includes 50 Hz models

ICE1006 A2A, W2A and R3A Includes 50 Hz models

Item No.	Description	Model Number				
		ICE0805	ICE0806	ICE1005	ICE1006	ICE1007
1	Top Panel	2101425-01S	2101425-01S	2101425-01S	2101425-01S	2101425-01S
3	Front Panel	2031511-02S	2031511-02S	2031511-02S	2031511-02S	2031511-02S
3	Front Panel End Cap, Right Hand	9051562-03	9051562-03	9051562-03	9051562-03	9051562-03
3	Front Panel End Cap, Left Hand	9051562-04	9051562-04	9051562-04	9051562-04	9051562-04
4	Front Panel Screws	9031098-04	9031098-04	9031098-04	9031098-04	9031098-04
5	Left Hand Side Panel	9051565-04	9051565-04	9051565-04	9051565-04	9051565-04
7	Plastic Nut	9031141-01	9031141-01	9031141-01	9031141-01	9031141-01
8	Right Hand Side Panel- Air Cooled	2101428-02	2101428-02	2101428-02	2101428-02	2101428-02
11	Right Hand Side Panel-W & R	9051565-04	9051565-04	9051565-04	9051565-04	9051565-04
12	Rear Panel	3021740-01	3021740-01	3021740-01	3021740-01	3021740-01
13	Rear Panel Screws	9031046-01	9031046-01	9031046-01	9031046-01	9031046-01
14	Control Box Top Cover	3012905-01	3012905-01	3012905-01	3012905-01	3012905-01
15	Control Box Side Cover	3012891-01	3012891-01	3012891-01	3012891-01	3012891-01
NA	Rear Brace	3012724-01	3012724-01	3012724-01	3012724-01	3012724-01
NA	Machine Compartment Cover	3012931-01	N/A	3012931-01	N/A	N/A

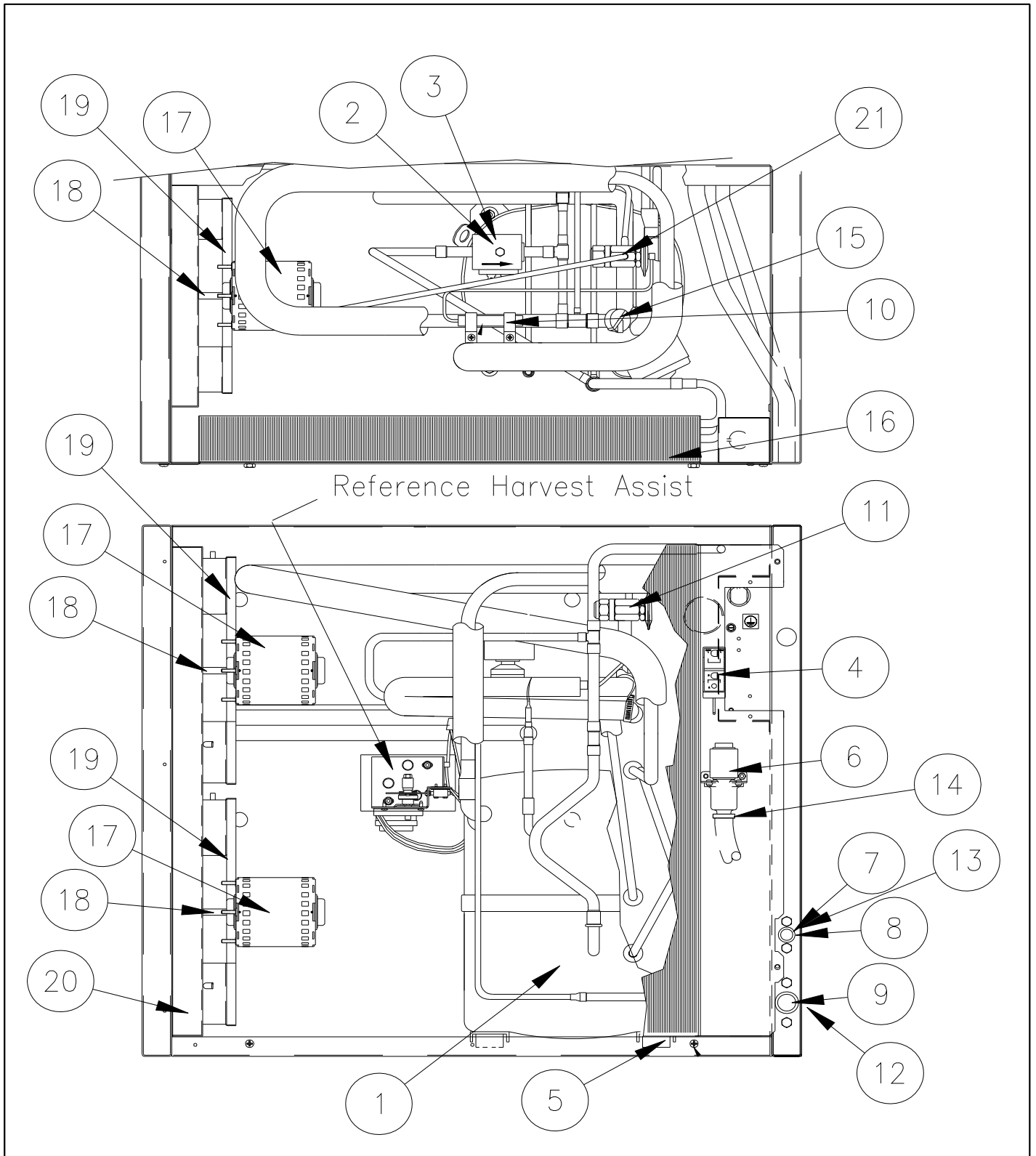


ICE Series Service Parts

Front Interior

Item No.	Description	Model Number				
		ICE0805	ICE0806	ICE1005	ICE1006	ICE1007
1	Left Hand Frame Panel	2021524-02	2021524-02	2021524-02	2021524-02	2021524-02
2	Right Hand Frame Panel	2021527-01	2021527-01	2021527-01	2021527-01	2021527-01
3	Evaporator-Full Cube	2051125-81	2051125-81	2051125-81	2051125-81	2051125-81
3	Evaporator-Half Cube	2051125-82	2051125-82	2051125-82	2051125-82	2051125-82
4	Evaporator Splash Curtain	9051154-12	9051154-12	9051154-12	9051154-12	9051154-12
5	Water Distribution Tube	2041338-01	2041338-01	2041338-01	2041338-01	2041338-01
6	Thumb Screw	9031122-01	9031122-01	9031122-01	9031122-01	9031122-01
7	Rubber Washer	9031004-19	9031004-19	9031004-19	9031004-19	9031004-19
8	High Pressure Control	9041051-04	9041051-04	9041051-04	9041051-04	9041051-04
9	Clamp	9021010-04	9021010-04	9021010-04	9021010-04	9021010-04
10	Water Pump Tube	9051472-01	9051472-01	9051472-01	9051472-01	9051472-01
11	Water Pump	9161079-03	9161079-03	9161079-03	9161079-03	9161079-03
	Thumbscrew / Pump (2 Req)	9161076-101	9161076-101	9161076-101	9161076-101	9161076-101
12	Float	9131111-01	9131111-01	9131111-01	9131111-01	9131111-01
13	Water Float Tube (26")	6021032-01	6021032-01	6021032-01	6021032-01	6021032-01
14	Snap Bushing	9051001-09	9051001-09	9051001-09	9051001-09	9051001-09
15	Water Return Trough	9051537-01	9051537-01	9051537-01	9051537-01	9051537-01
16	Water Return Trough Screw	9031046-24	9031046-24	9031046-24	9031046-24	9031046-24
17	Valve Core	9091086-02	9091086-02	9091086-02	9091086-02	9091086-02
18	Valve Cap	9091086-03	9091086-03	9091086-03	9091086-03	9091086-03
19	Caplug	9131026-02	9131026-02	9131026-02	9131026-02	9131026-02
20	Purge Valve	9041086-02	9041086-02	9041086-02	9041086-02	9041086-02
21	Plastic Nut Insert	9031141-01	9031141-01	9031141-01	9031141-01	9031141-01
22	Evaporator Mounting Screw	9031046-01	9031046-01	9031046-01	9031046-01	9031046-01
	Evaporator Spillway	9051135-05	9051135-05	9051135-05	9051135-05	9051135-05
	Evaporator Side Panel - RH	9051170-03	9051170-03	9051170-03	9051170-03	9051170-03
	Evaporator Side Panel - LH	9051170-04	9051170-04	9051170-04	9051170-04	9051170-04
	Evaporator Water Return	9051135-04	9051135-04	9051135-04	9051135-04	9051135-04

Please note: Water Pumps are shipped with the Thumbscrews when ordered as a service replacement part.

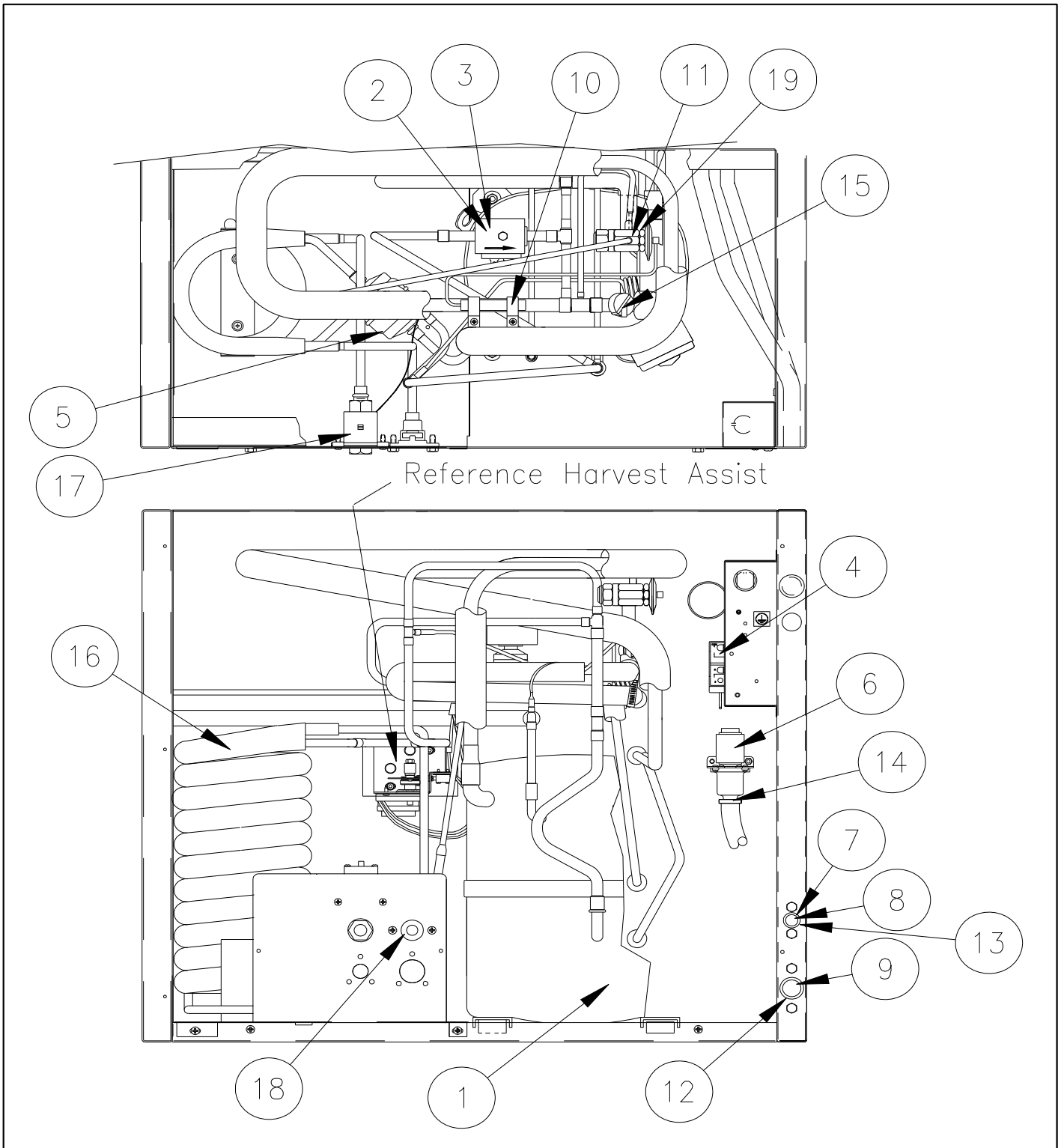


ICE Series Service Parts

Air Cooled

Item No.	Description	Model Number				
		ICE0805	ICE0806	ICE1005	ICE1006	ICE1007
1	Compressor	9181107-12	9181106-11	9181090-12	9181107-11	9181107-13
2	Hot Gas Valve Coil	9151123-04	9151123-04	9151123-04	9151123-04	9151123-04
3	Hot Gas Valve Body	9151123-01	9151123-01	9151123-01	9151123-01	9151123-01
4	Low Pressure Control	9041094-01	9041094-01	9041094-01	9041094-01	9041094-01
5	Filter Drier	9151004-04	9151004-04	9151004-04	9151004-04	9151004-04
6	Purge Valve	9041086-02	9041086-02	9041086-02	9041086-02	9041086-02
7	Drop Adapter	9091074-01	9091074-01	9091074-01	9091074-01	9091074-01
8	Water Inlet Fitting	9091083-01	9091083-01	9091083-01	9091083-01	9091083-01
9	Purge Drain Fitting	9091119-01	9091119-01	9091119-01	9091119-01	9091119-01
10	Clamp-TXV Bulb	9021040-01	9021040-01	9021040-01	9021040-01	9021040-01
11	TXV - ALCO	9151134-05	9151134-05	9151134-05	9151134-05	9151134-05
12	Purge Drain Hose (1.5 Ft.)	6021015-06	6021015-06	6021015-06	6021015-06	6021015-06
13	Tube (2.17 Ft.)	6021032-01	6021032-01	6021032-01	6021032-01	6021032-01
14	Clamp	9021010-14	9021010-14	9021010-14	9021010-14	9021010-14
15	High Temp Safety	9041087-04	9041087-04	9041087-04	9041087-04	9041087-04
16	Air Condenser	9141103-01	9141103-01	9141103-01	9141103-01	9141103-01
16	Air Condenser (Beg. Mid Ser. H2)	9141122-01	9141122-01	9141122-01	9141122-01	9141122-01
17	Fan Motor	9161089-03	9161089-03	9161089-03	9161089-03	9161089-03
17	Fan Motor (Beg. Mid Ser. H2)	9161078-02		9161078-02		
18	Fan Blade	9131332-02	9131332-02	9131333-01	9131333-01	9131333-01
18	Fan Blade (Beg. Mid Ser. H2)	9131383-01		9131383-01		
19	Fan Mtr Bracket	3012527-01	3012527-01	3012527-01	3012527-01	3012527-01
19	Fan Mtr Brkt (Beg. Mid Ser. H2)	2021574-01		2021574-01		
20	Fan Shroud	3012742-01	3012742-01	3012741-01	3012741-01	3012741-01
21	TXV - SPORLAN Assy*	NLA	NLA	NLA	NLA	NLA
21	TXV - ALCO Assy*	2041665-01S	2041665-01S	2041665-01S	2041665-01S	2041665-01S

* Includes Distributor and Tubing - Same Effectivity Date as TXV's

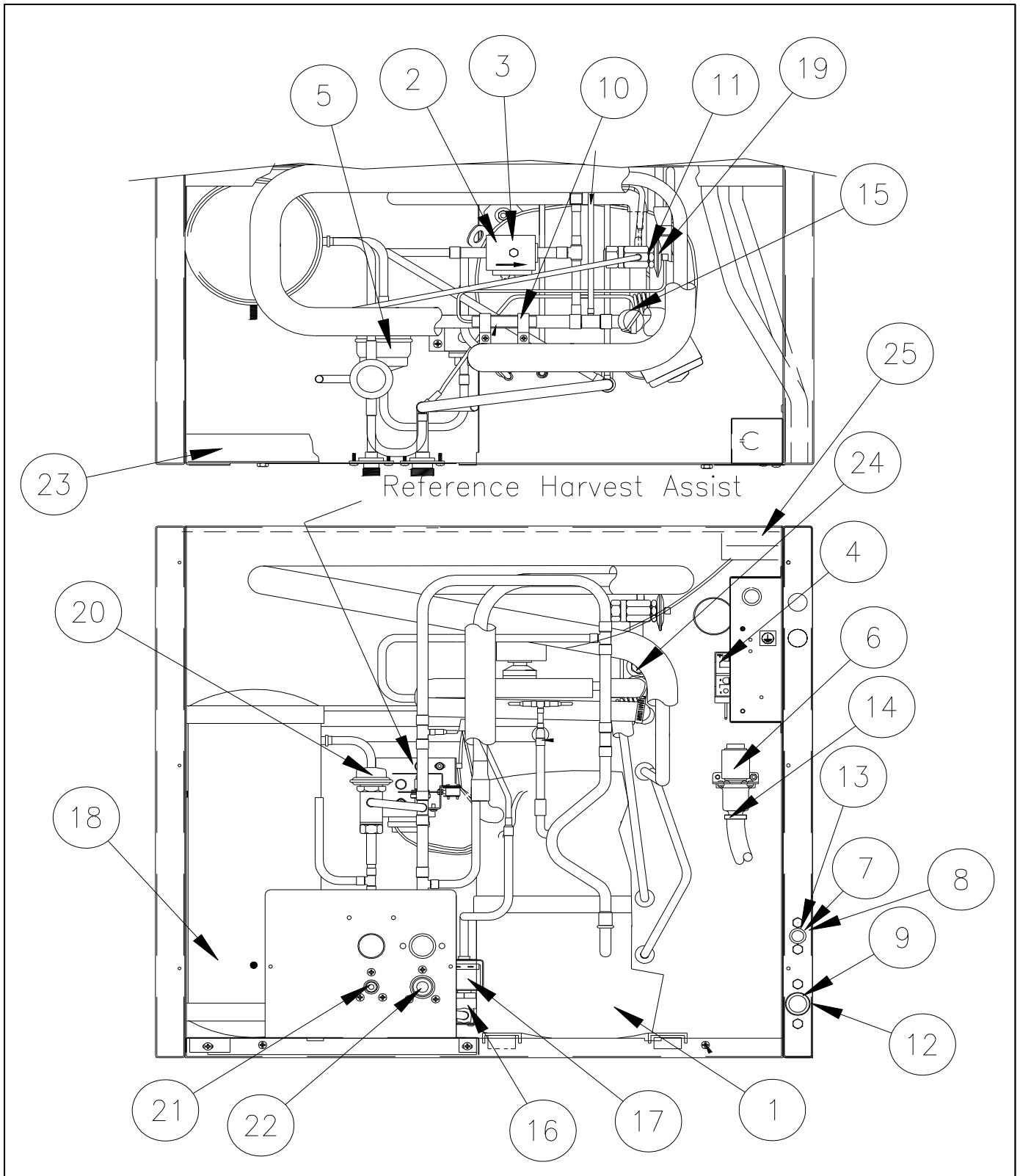


ICE Series Service Parts

Water Cooled

Item No.	Description	Model Number				
		ICE0805	ICE0806	ICE1005	ICE1006	ICE1007
1	Compressor	9181107-12	9181106-11	9181090-12	9181107-11	9181007-13
2	Hot Gas Valve Coil	9151123-04	9151123-04	9151123-04	9151123-04	9151123-04
3	Hot Gas Valve Body	9151123-01	9151123-01	9151123-01	9151123-01	9151123-01
4	Low Pressure Control	9041094-01	9041094-01	9041094-01	9041094-01	9041094-01
5	Filter Drier	9151004-04	9151004-04	9151004-04	9151004-04	9151004-04
6	Purge Valve	9041086-02	9041086-02	9041086-02	9041086-02	9041086-02
7	Drop Adapter	9091074-01	9091074-01	9091074-01	9091074-01	9091074-01
8	Water Inlet Fitting	9091083-01	9091083-01	9091083-01	9091083-01	9091083-01
9	Purge Drain Fitting	9091119-01	9091119-01	9091119-01	9091119-01	9091119-01
10	Clamp-TXV Bulb	9021040-01	9021040-01	9021040-01	9021040-01	9021040-01
11	TXV - ALCO	9151134-05	9151134-05	9151134-05	9151134-05	9151134-05
12	Purge Drain Hose	6021015-06	6021015-06	6021015-06	6021015-06	6021015-06
13	Tube (2.17 Ft.)	6021032-01	6021032-01	6021032-01	6021032-01	6021032-01
14	Clamp	9021010-14	9021010-14	9021010-14	9021010-14	9021010-14
15	High Temp Safety	9041087-04	9041087-04	9041087-04	9041087-04	9041087-04
16	Water Condenser	9141020-01	9141020-01	9141020-01	9141020-01	9141020-01
16	Water Condenser (Beg. Ser. G2)	9141061-02	9141061-02	9141061-02	9141061-02	9141061-02
17	Water Valve	9041059-01	9041059-01	9041059-01	9041059-01	9041059-01
18	Drop Adapter 1/2"	9091063-02	9091063-02	9091063-02	9091063-02	9091063-02
19	TXV - SPORLAN Assy*	NLA	NLA	NLA	NLA	NLA
19	TXV - ALCO Assy*	2041665-01S	2041665-01S	2041665-01S	2041665-01S	2041665-01S

* Includes Distributor and Tubing - Same Effectivity Date as TXV's



ICE Series Service Parts

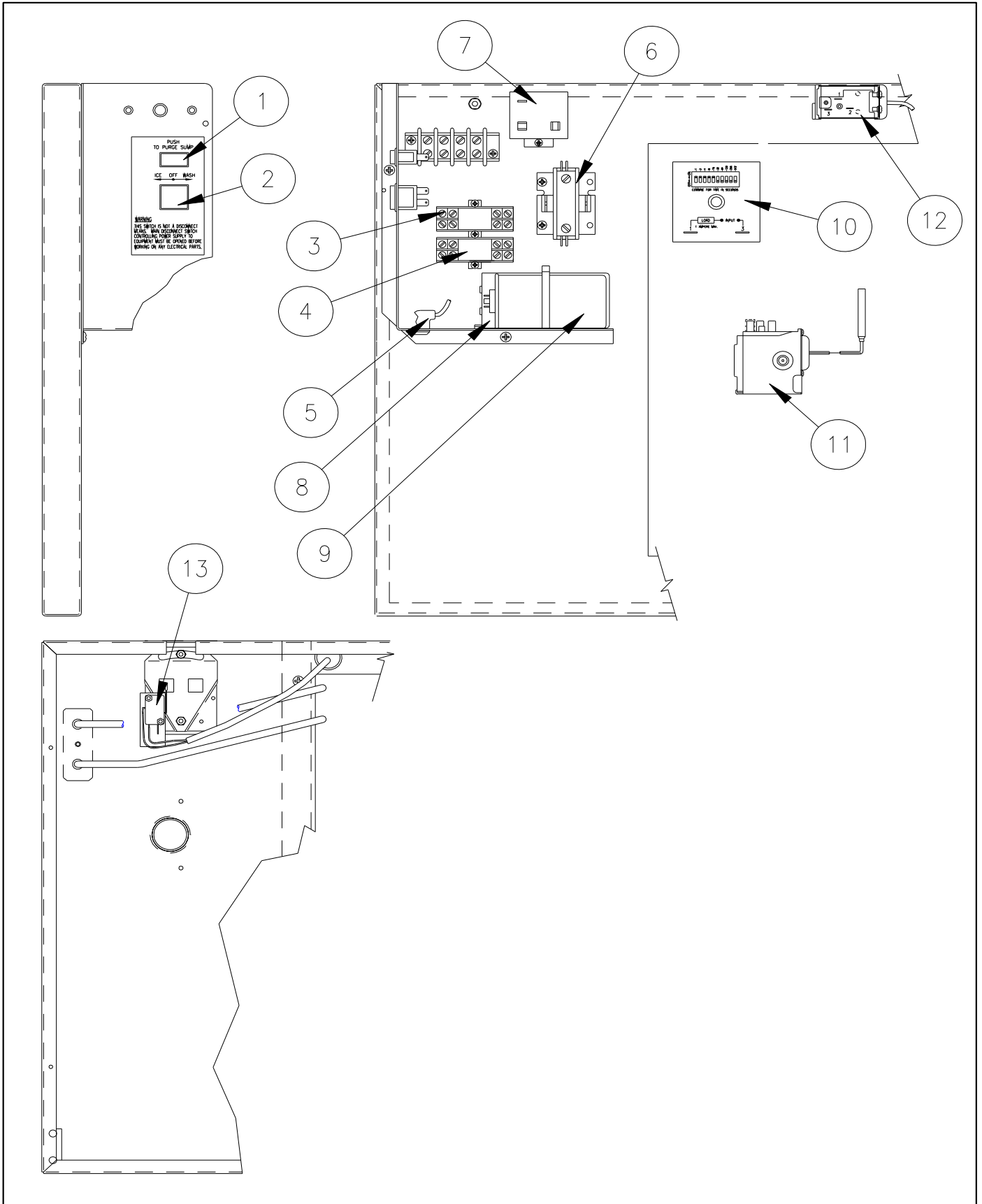
Remote

Item No.	Description	Model Number				
		ICE0805	ICE0806	ICE1005	ICE1006	ICE1007
1	Compressor	9181107-12	9181107-11	9181090-12	9181090-11	9181107-13
2	Hot Gas Valve Coil	9151123-04	9151123-04	9151123-04	9151123-04	9151123-04
3	Hot Gas Valve Body	9151123-01	9151123-01	9151123-01	9151123-01	9151123-01
4	Low Pressure Control	9041094-01	9041094-01	9041094-01	9041094-01	9041094-01
5	Filter Drier	9151004-04	9151004-04	9151004-04	9151004-04	9151004-04
6	Purge Valve	9041086-02	9041086-02	9041086-02	9041086-02	9041086-02
7	Drop Adapter	9091074-01	9091074-01	9091074-01	9091074-01	9091074-01
8	Water Inlet Fitting	9091083-01	9091083-01	9091083-01	9091083-01	9091083-01
9	Purge Drain Fitting	9091119-01	9091119-01	9091119-01	9091119-01	9091119-01
10	Clamp-TXV Bulb	9021040-01	9021040-01	9021040-01	9021040-01	9021040-01
11	TXV - SPORLAN	NLA	NLA	NLA	NLA	NLA
11	TXV - ALCO (Beg. Mid Ser. H2)	9151134-05	9151134-05	9151134-05	9151134-05	9151134-05
12	Purge Drain Hose	6021015-06	6021015-06	6021015-06	6021015-06	6021015-06
13	Tube (2.17 Ft.)	6021032-01	6021032-01	6021032-01	6021032-01	6021032-01
14	Clamp	9021010-14	9021010-14	9021010-14	9021010-14	9021010-14
15	High Temp Safety	9041087-04	9041087-04	9041087-04	9041087-04	9041087-04
15	High Temp Safety (Beg. Rev. 3)	9041087-06	9041087-06	9041087-06	9041087-06	9041087-06
16	Liquid Line Solenoid Body	9151123-02	9151123-02	9151123-02	9151123-02	9151123-02
17	Liquid Line Solenoid Coil	9151123-04	9151123-04	9151123-04	9151123-04	9151123-04
18	Receiver	9151060-01	9151060-01	9151060-01	9151060-01	9151060-01
19	TXV - ALCO Assy*	2041665-01S	2041665-01S	2041665-01S	2041665-01S	2041665-01S
20	Mixing Valve (240)	9151027-06	9151027-06	9151027-06	9151027-06	9151027-06
21	Remote Fitting 3/8"	9091001-11	9091001-11	9091001-11	9091001-11	9091001-11
22	Remote Fitting 1/2"	9091001-12	9091001-12	9091001-12	9091001-12	9091001-12
23	Rear Brace	3022724-01	3022724-01	3022724-01	3022724-01	3022724-01
23	Rear Brace (Wall Hugger)	3012515-01	3012515-01	3012515-01	3012515-01	3012515-01
24	High Press Control	9041051-04	9041051-04	9041051-04	9041051-04	9041051-04
24	High Press Control (Beg. Rev. 3)	9041091-01	9041091-01	9041091-01	9041091-01	9041091-01
25	Pump Down Control	9041040-01	9041040-01	9041040-01	9041040-01	9041040-01
25	Pump Down Control (Beg. Rev. 3)	9041092-02	9041092-02	9041092-02	9041092-02	9041092-02
	Check Valve	9151139-01	9151139-01	9151139-01	9151139-01	9151139-01
	Roto-Loc Valve	9091137-01	9091137-01	9091137-01	9091137-01	9091137-01

* Includes Distributor and Tubing - Same Effectivity Date as TXV's

PLEASE NOTE: Mixing Valves are not used on Remote Cubers beginning Revision 3.

PLEASE NOTE: When using an ICE Revision 3 Remote Cuber on an existing or new ERC Remote Condenser, please use kit [1051138-01](#) at installation.



Item No.	Description	Model Number				
		ICE0805	ICE0806	ICE1005	ICE1006	ICE1007
1	Purge Switch	9101139-03	9101139-03	9101139-03	9101139-03	9101139-03
2	ON-OFF-WASH Switch	9101195-01	9101195-01	9101195-01	9101195-01	9101195-01
3	Relay Socket	9101083-01	9101083-01	9101083-01	9101083-01	9101083-01
4	Relay	9101084-02	9101084-02	9101084-02	9101084-02	9101084-02
5	Water Pump Cord	9101218-12	9101218-12	9101218-12	9101218-12	9101218-12
6	Contacto	9101002-04	9101002-04	9101002-04	9101002-04	9101079-02
7	Compressor Start Relay	See Below	See Below	See Below	See Below	See Below
8	Start Capacitor	See Below	See Below	See Below	See Below	See Below
9	Run Capacitor	See Below	See Below	See Below	See Below	See Below
10	Timer	9101148-01	9101148-01	9101148-01	9101148-01	9101148-01
11	Low Pressure Timer Initiate	9041094-01	9041094-01	9041094-01	9041094-01	9041094-01
12	Pump Down Control	9041040-01	9041040-01	9041040-01	9041040-01	9041040-01
13	Bin Switch	9101124-02	9101124-02	9101124-02	9101124-02	9101124-02

Compressor Components

Model Number

ICE806 A & W	9181106-11	Compressor
	9181003-07	Start Capacitor
	9181009-16	Run Capacitor
	9181010-12	Relay

ICE806 R AND ICE 1006 A & W	9181107-11	Compressor
	9181003-07	Start Capacitor
	9181009-16	Run Capacitor
	9181010-12	Relay

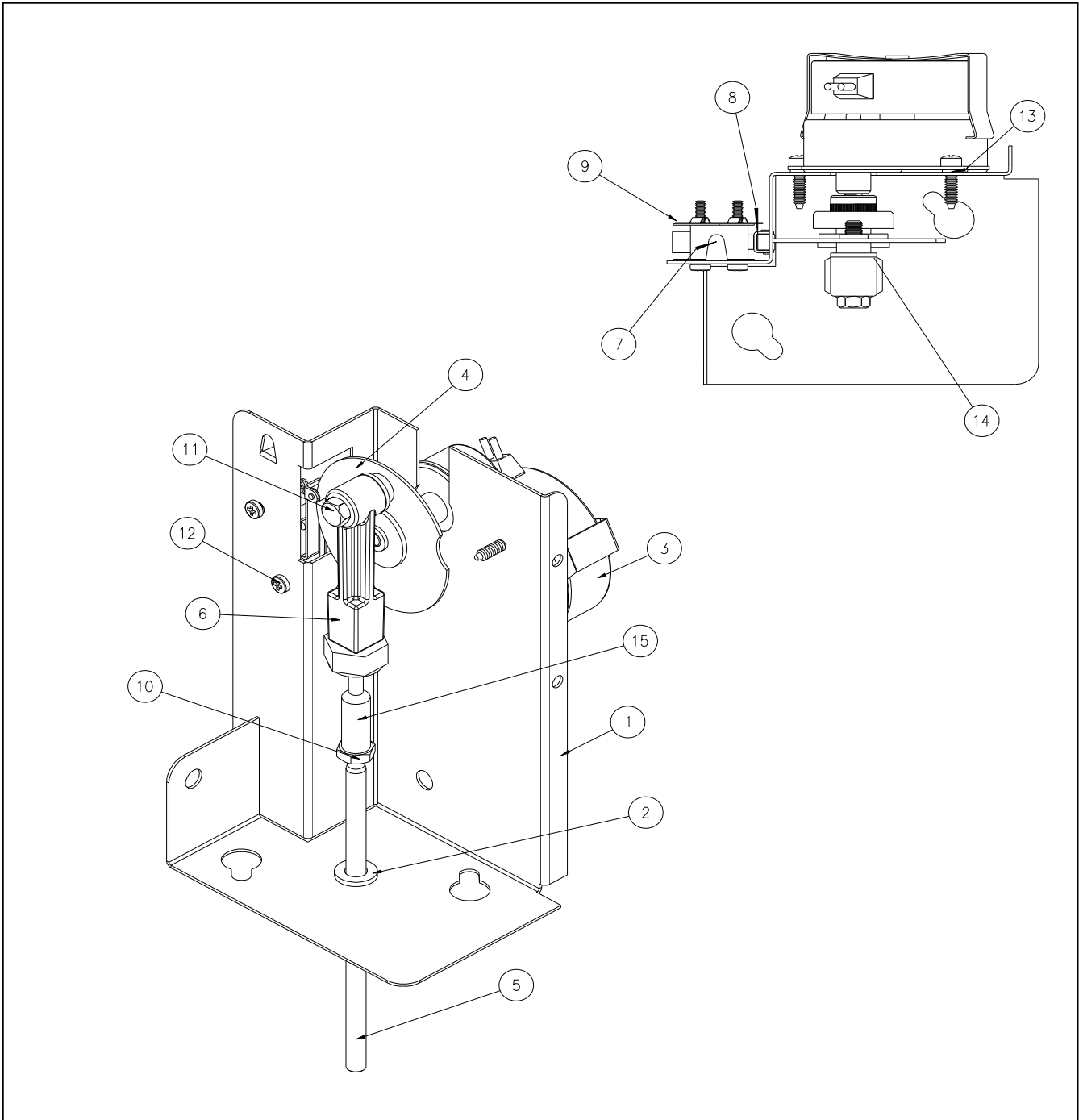
ICE805 A W & R	9181107-12	Compressor
	9181003-32	Start Capacitor
	9181009-16	Run Capacitor
	9181010-04	Relay

ICE1007 A W & R	9181107-13	Compressor
	N/A	Start Capacitor
	N/A	Run Capacitor
	N/A	Relay

ICE1006 R	9181090-11	Compressor
	9181003-19	Start Capacitor
	9181009-12	Run Capacitor
	9181010-10	Relay

ICE1005 A W & R	9181090-12	Compressor
	9181003-07	Start Capacitor
	9181009-12	Run Capacitor
	9181010-12	Relay

A = Air Cooled
W= Water Cooled
R= Remote

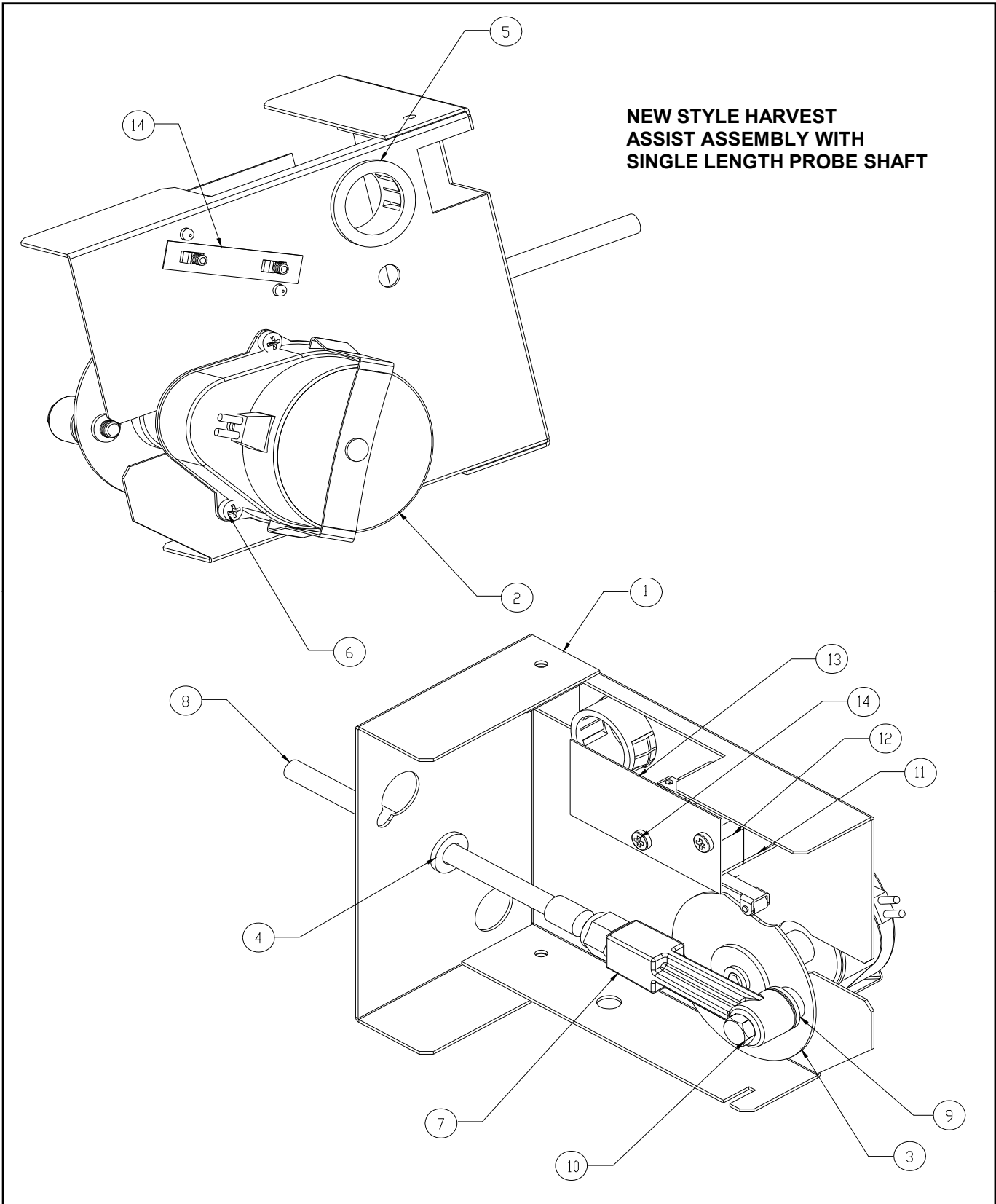


ICE Series Service Parts

Old Style Harvest Assist Assembly

Item No.	Description	Model Number				
		ICE0805	ICE0806	ICE1005	ICE1006	ICE1007
1	Probe Motor Bracket	3012890-01	3012890-01	3012890-01	3012890-01	3012890-01
2	Snap Bushing	9051001-13	9051001-13	9051001-13	9051001-13	9051001-13
3	Gear Motor	9161031-01	9161031-01	9161031-01	9161031-01	9161031-01
4	Clutch Assembly 180 Degree	9131190-01	9131190-01	9131190-01	9131190-01	9131190-01
5	One Piece Shaft & Swivel	9021102-01	9021102-01	9021102-01	9021102-01	9021102-01
5	Probe Shaft	9131189-01	9131189-01	9131189-01	9131189-01	9131189-01
6	Connecting Rod	9051057-01	9051057-01	9051057-01	9051057-01	9051057-01
7	Cam Switch	9101160-01	9101160-01	9101160-01	9101160-01	9101160-01
8	Speed Nut Plate	9031120-01	9031120-01	9031120-01	9031120-01	9031120-01
9	Insulation, Switch	3051145-01	3051145-01	3051145-01	3051145-01	3051145-01
10	Nut	9031005-03	9031005-03	9031005-03	9031005-03	9031005-03
11	Shoulder Screw	9031119-01	9031119-01	9031119-01	9031119-01	9031119-01
12	Pan Head Machine Screw	9031008-16	9031008-16	9031008-16	9031008-16	9031008-16
13	Self Tapping Screw	9031019-05	9031019-05	9031019-05	9031019-05	9031019-05
14	Flat Washer	9031003-03	9031003-03	9031003-03	9031003-03	9031003-03
15	Swivel	9021017-02	9021017-02	9021017-02	9021017-02	9021017-02
	Complete Assembly	2061962-02S	2061962-02S	2061962-02S	2061962-02S	2061962-02S

Please Note: The 2061962-XX is a direct replacement for the 2061620-XX Harvest Assist Assembly, however the Swivel/Shaft and Nut is **NOT** directly replaced by the new 9021102-01 One Piece Probe Shaft.

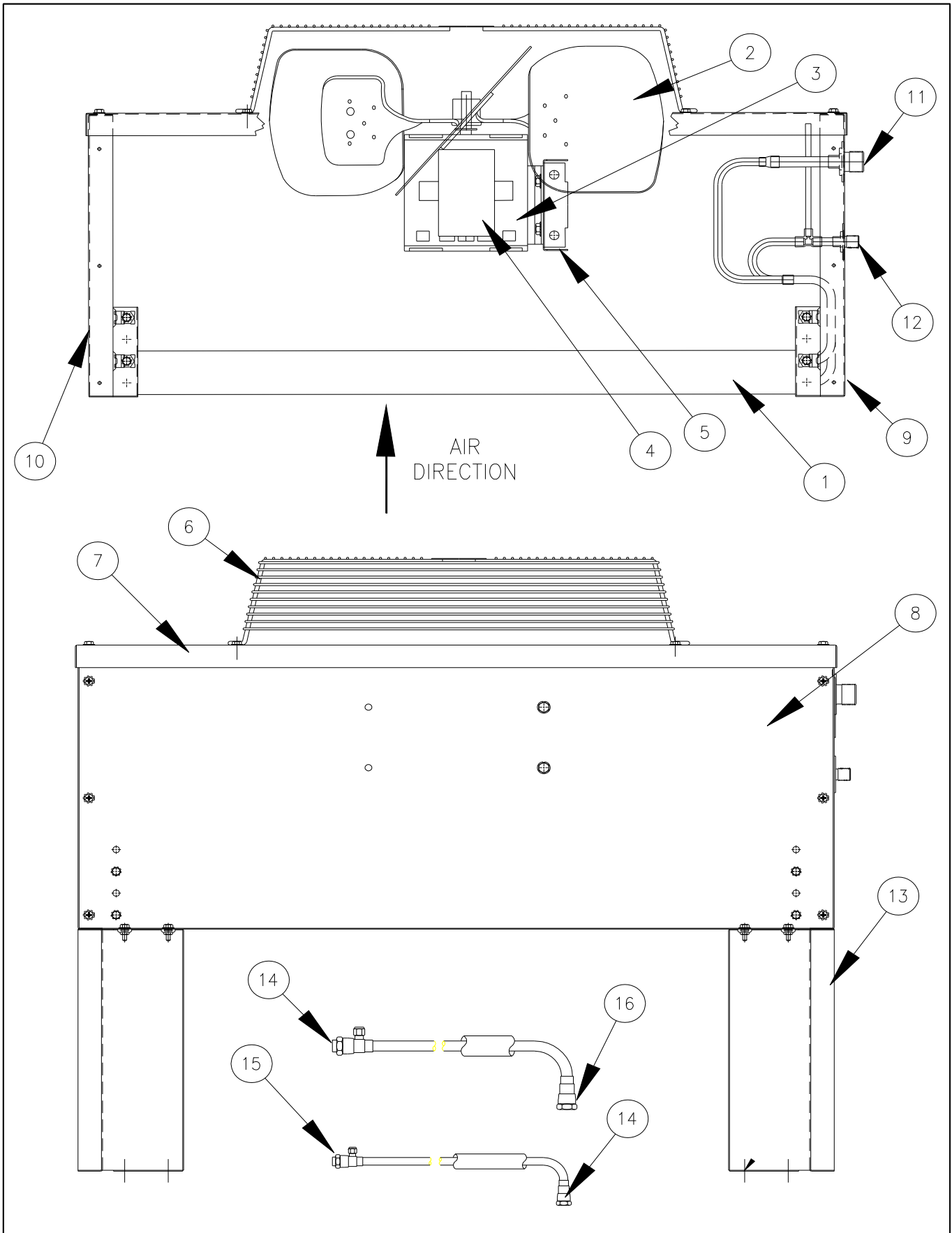


ICE Series Service Parts

New Style Harvest Assist Assembly

Item No.	Description	Model Number				
		ICE0805	ICE0806	ICE1005	ICE1006	ICE1007
1	Bracket, Probe Motor	3013170-01	3013170-01	3013170-01	3013170-01	3013170-01
2	Gear Motor	9161031-01	9161031-01	9161031-01	9161031-01	9161031-01
3	Clutch Assembly, 180 Deg	9131190-01	9131190-01	9131190-01	9131190-01	9131190-01
4	Snap Bushing	9051001-13	9051001-13	9051001-13	9051001-13	9051001-13
5	Snap Bushing	9051001-03	9051001-03	9051001-03	9051001-03	9051001-03
6	#6-32 x 1/2 Screw	9031019-08	9031019-08	9031019-08	9031019-08	9031019-08
7	Connecting Rod	9051057-01	9051057-01	9051057-01	9051057-01	9051057-01
8	Probe, Single Length	9021102-01	9021102-01	9021102-01	9021102-01	9021102-01
9	Flat Washer	9031003-03	9031003-03	9031003-03	9031003-03	9031003-03
10	Shoulder Screw	9031119-01	9031119-01	9031119-01	9031119-01	9031119-01
11	Spacer, Cam Switch	9051519-01	9051519-01	9051519-01	9051519-01	9051519-01
12	Cam Switch	9101160-01	9101160-01	9101160-01	9101160-01	9101160-01
13	Insulator	3051145-02	3051145-02	3051145-02	3051145-02	3051145-02
14	Pan Head Screw	9031008-44	9031008-44	9031008-44	9031008-44	9031008-44
15	Speed Nut Plate	9031120-01	9031120-01	9031120-01	9031120-01	9031120-01
	Complete Assembly	2061962-02S	2061962-02S	2061962-02S	2061962-02S	2061962-02S

Please Note: The 2061962-XX is a direct replacement for the 2061620-XX Harvest Assist Assembly, however the Swivel/Shaft and Nut is **NOT** directly replaced by the new 9021102-01 One Piece Probe Shaft.

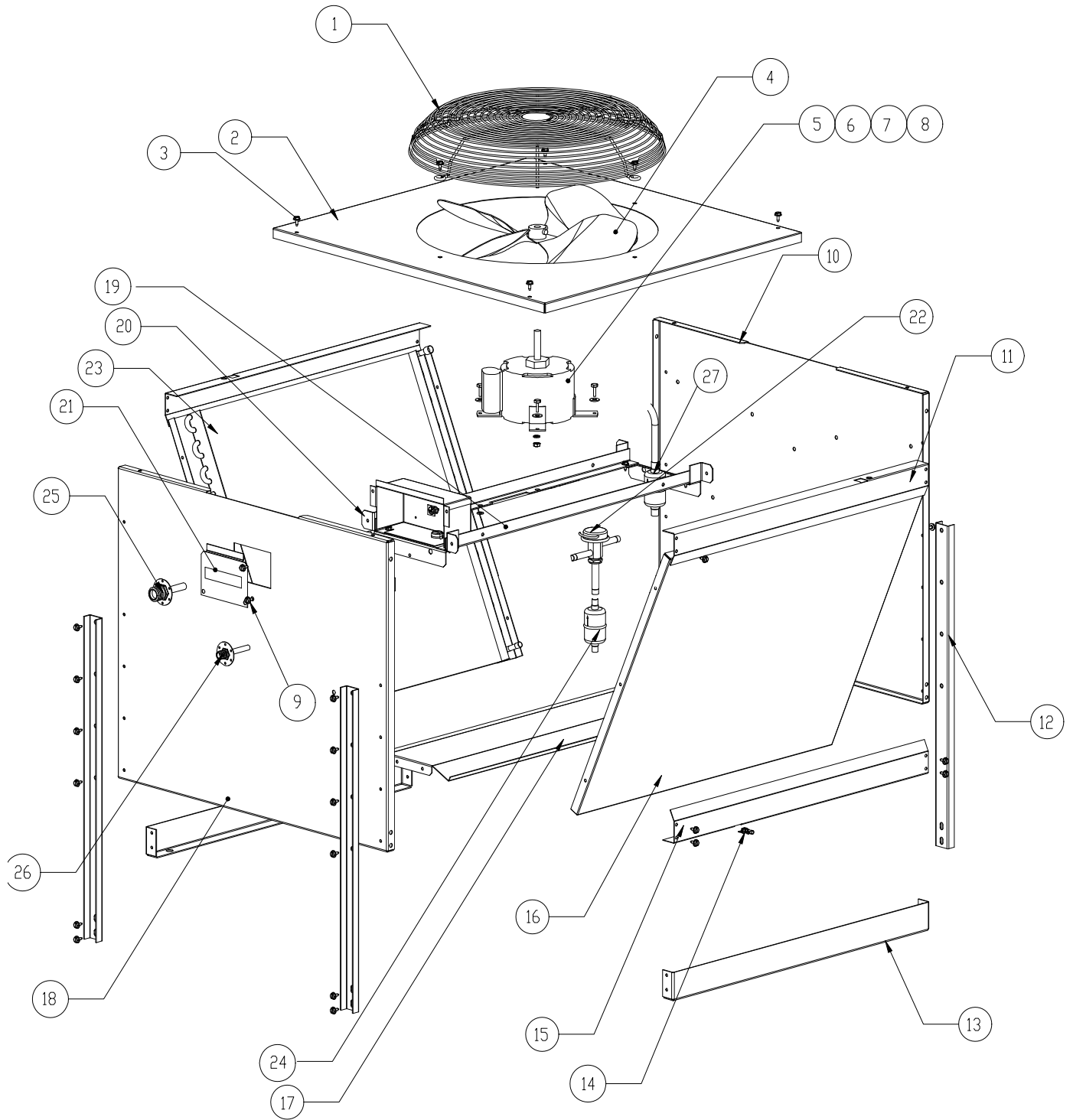


ICE Series Service Parts

Remote Condenser

Item No.	Description	Model Number				
		ICE0805	ICE0806	ICE1005	ICE1006	ICE1007
		ERC2061	ERC2061	ERC2061	ERC2061	ERC2061
1	Condenser	9141108-01	9141108-01	9141108-01	9141108-01	9141108-01
2	Fan Blade	9131357-01	9131357-01	9131357-01	9131357-01	9131357-01
3	Fan Motor	9161110-02	9161110-02	9161110-02	9161110-02	9161110-02
4	Capacitor	9161110-92	9161110-92	9161110-92	9161110-92	9161110-92
5	Fan Motor Brace	3012802-01	3012802-01	3012802-01	3012802-01	3012802-01
6	Fan Guard	9131356-01	9131356-01	9131356-01	9131356-01	9131356-01
7	Top Panel	3012806-01	3012806-01	3012806-01	3012806-01	3012806-01
8	Side Panel	3012793-01	3012793-01	3012793-01	3012793-01	3012793-01
9	Front Panel	3012804-01	3012804-01	3012804-01	3012804-01	3012804-01
10	Rear Panel	3012805-01	3012805-01	3012805-01	3012805-01	3012805-01
11	Coupling Half-Bulkhead-1/2"	9091001-12	9091001-12	9091001-12	9091001-12	9091001-12
12	Coupling Half-Bulkhead-3/8"	9091001-11	9091001-11	9091001-11	9091001-11	9091001-11
13	Mounting Leg	3012795-01	3012795-01	3012795-01	3012795-01	3012795-01
14	Lineset Fitting with Port 1/2"	9091001-10	9091001-10	9091001-10	9091001-10	9091001-10
15	Lineset Fitting with Port 3/8"	9091001-04	9091001-04	9091001-04	9091001-04	9091001-04
16	Lineset Fitting without Port 1/2"	9091001-08	9091001-08	9091001-08	9091001-08	9091001-08
17	Lineset Fitting without Port 3/8"	9091001-02	9091001-02	9091001-02	9091001-02	9091001-02

Item No.	Description	Model Number				
		ICE0805	ICE0806	ICE1005	ICE1006	ICE1007
		ERC2062	ERC2062	ERC2062	ERC2062	ERC2062
1	Condenser	9141110-01	9141110-01	9141110-01	9141110-01	9141110-01
2	Fan Blade	9131357-01	9131357-01	9131357-01	9131357-01	9131357-01
3	Fan Motor	9161110-02	9161110-02	9161110-02	9161110-02	9161110-02
4	Capacitor	9161110-92	9161110-92	9161110-92	9161110-92	9161110-92
5	Fan Motor Brace	3012802-01	3012802-01	3012802-01	3012802-01	3012802-01
6	Fan Guard	9131356-01	9131356-01	9131356-01	9131356-01	9131356-01
7	Top Panel	3012807-01	3012807-01	3012807-01	3012807-01	3012807-01
8	Side Panel	3012794-01	3012794-01	3012794-01	3012794-01	3012794-01
9	Front Panel	3012804-01	3012804-01	3012804-01	3012804-01	3012804-01
10	Rear Panel	3012805-01	3012805-01	3012805-01	3012805-01	3012805-01
11	Coupling Half-Bulkhead-1/2"	9091001-12	9091001-12	9091001-12	9091001-12	9091001-12
12	Coupling Half-Bulkhead-3/8"	9091001-11	9091001-11	9091001-11	9091001-11	9091001-11
13	Mounting Leg	3012795-01	3012795-01	3012795-01	3012795-01	3012795-01
14	Lineset Fitting with Port 1/2"	9091001-10	9091001-10	9091001-10	9091001-10	9091001-10
15	Lineset Fitting with Port 3/8"	9091001-04	9091001-04	9091001-04	9091001-04	9091001-04
16	Lineset Fitting without Port 1/2"	9091001-08	9091001-08	9091001-08	9091001-08	9091001-08
17	Lineset Fitting without Port 3/8"	9091001-02	9091001-02	9091001-02	9091001-02	9091001-02



ICE0500R	ICE0600R	ICE0800R4 ICE1000R4	ICE1400R4 ICE1506R3	ICE1800R4 ICE2100R4
----------	----------	------------------------	------------------------	------------------------

Item	VRC1001	VRC1061	VRC2061	VRC2661	VRC5061	Description
1	9131452-01	9131452-01	9131452-01	9131452-01	9131460-01	Fan Guard
2	3013222-01	3013222-01	3013222-01	3013222-01	3013303-01	Top Panel
3	9031019-04	9031019-04	9031019-04	9031019-04	9031019-04	1/4-20 x 1/2 Screw
4	9131451-01	9131451-01	9131451-01	9131451-01	9131461-01	Fan Blade
5	9161117-02	9161117-01	9161117-01	9161117-01	9161118-01	Fan Motor
6	9031001-02	9031001-02	9031001-02	9031001-02	9031001-02	1/4-20 x 3/4 Cap Screw
7	9031003-01	9031003-01	9031003-01	9031003-01	9031003-01	Flat Washer
8	9031118-02	9031118-02	9031118-02	9031118-02	9031118-02	Flanged Lock Nut
9	9031019-04	9031019-04	9031019-04	9031019-04	9031019-04	1/4-20 x 1/2 Screw
10	3013224-01	3013224-01	3013224-01	3013224-01	3013224-01	Rear Panel
11	3013226-01	3013226-01	3013226-01	3013226-01	3013305-01	Brace
12	3013227-01	3013227-01	3013227-01	3013227-01	3013227-01	Leg
13	3013228-01	3013228-01	3013228-01	3013228-01	3013306-01	Leg Brace
14	N/A	N/A	N/A	N/A	N/A	T-Nut-Shipping Only
15	3013226-01	3013226-01	3013226-01	3013226-01	3013305-01	Brace
16	3013232-01	3013232-01	N/A	N/A	N/A	Cover Panel
17	3013225-01	3013225-01	3013225-01	3013225-01	3013304-01	Center Panel
18	3013223-01	3013223-01	3013223-01	3013223-01	3013223-01	Front Panel
19	3013234-01	3013234-01	3013234-01	3013234-01	3013307-01	Motor Brace
20	3013233-01	3013233-01	3013233-01	3013233-01	3013233-01	Motor Brace Support
21	3013229-01	3013229-01	3013229-01	3013229-01	3013229-01	Junction Box Cover
22	9151142-02	9151142-02	9151142-02	9151142-02	9151142-02	Mixing Valve
23	9141130-01	9141130-01	9141130-01	9141131-01	9141133-01	Condenser
24	9151143-01	9151143-01	9151143-01	9151143-01	9151143-01	Filter
25	9091001-12	9091001-12	9091001-12	9091001-12	9091001-12	1/2 Coupling
26	9091001-11	9091001-11	9091001-11	9091001-11	9091001-11	3/8 Coupling
27	9151143-02	9151143-02	9151143-02	9151143-02	9151143-02	Filter