

# Ice-O-Matic®

## SERVICE PARTS MANUAL ICE SERIES CUBERS

ICE0806 A1, W1 and R1 Includes 50 Hz models

ICE0806 A2, W2 and R2 Includes 50 Hz models

ICE0806 R3 Includes 50 Hz models

*ICE0806 A2A, W2A and R3A Includes 50 Hz models*

ICE1006 A1, W1 and R1 Includes 50 Hz models

ICE1006 A2, W2 and R2 Includes 50 Hz models

ICE1006 R3 Includes 50 Hz models

*ICE1006 A2A, W2A and R3A Includes 50 Hz models*





## ICE Series Service Parts

This parts list contains the service parts available for the ICE Series icemakers listed below.

**ICE0806 A1, W1 and R1 Includes 50 Hz models**  
**ICE0806 A2, W2 and R2 Includes 50 Hz models**  
**ICE0806 R3 Includes 50 Hz models**  
**ICE0806 A2A, W2A and R3A Includes 50 Hz models**

**ICE1006 A1, W1 and R1 Includes 50 Hz models**  
**ICE1006 A2, W2 and R2 Includes 50 Hz models**  
**ICE1006 R3 Includes 50 Hz models**  
**ICE1006 A2A, W2A and R3A Includes 50 Hz models**

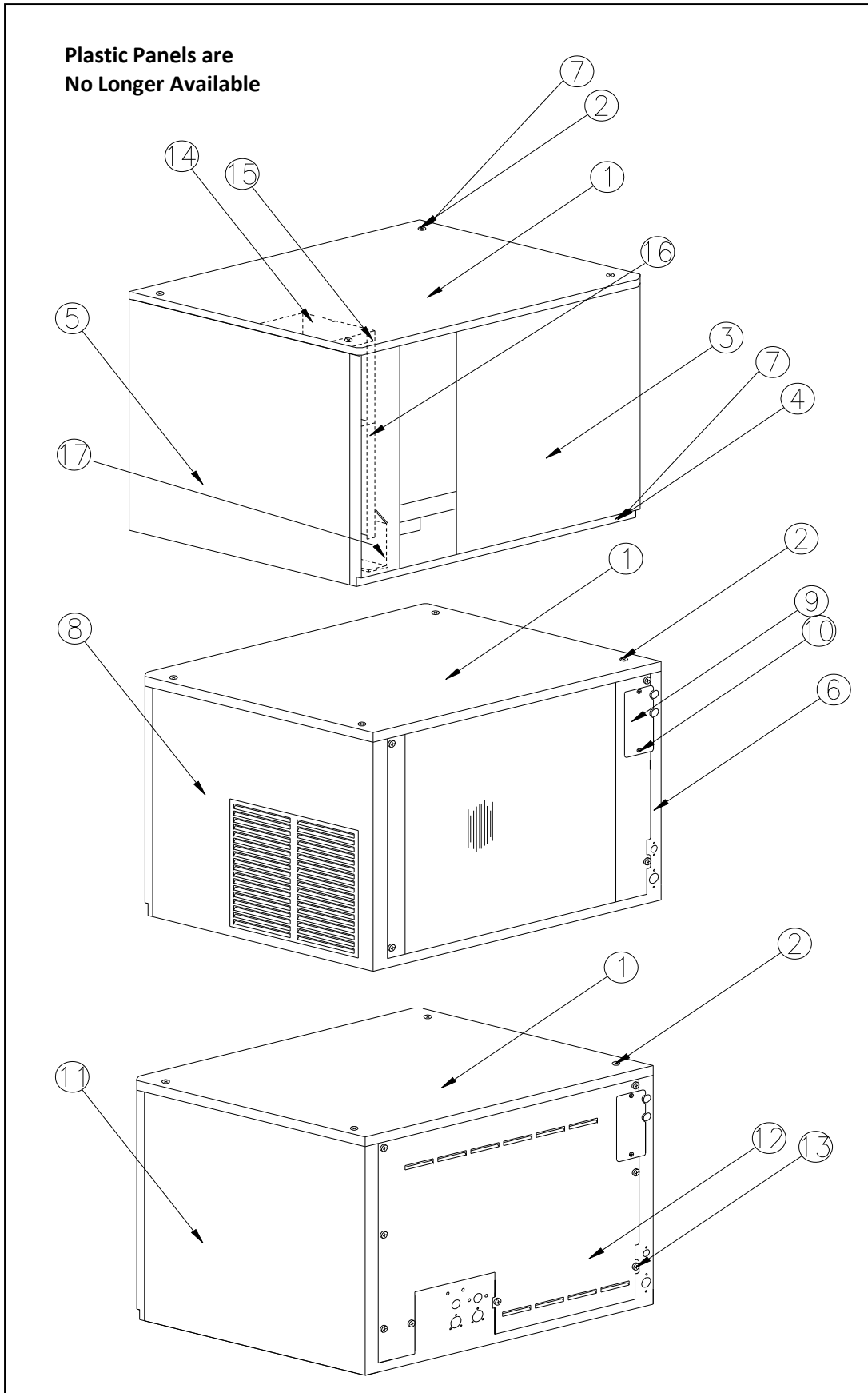
Check the model number on the data plate and refer to the correct listing for the specific component.

Check carefully that the correct part is identified and ordered.

<b>Table of Contents</b>	<b>Page 1</b>
<b>Exterior Components</b>	<b>Page 2 - 3</b>
<b>Interior Components-Front View</b>	<b>Page 4 - 5</b>
<b>Air Cooled</b>	<b>Page 6 - 7</b>
<b>Water Cooled</b>	<b>Page 8 - 9</b>
<b>Remote</b>	<b>Page 10 - 11</b>
<b>Control Box</b>	<b>Page 12 - 13</b>
<b>Harvest Assist Assembly</b>	<b>Page 14 - 15</b>
<b>Remote Condenser</b>	<b>Page 16 - 19</b>
<b>Compressor Information</b>	<b>Page 20</b>

Ice-O-Matic  
11100 East 45th Ave.  
Denver Co. 80239  
866-PUREICE

The ICE Series Service manual is available separately, Part number 9081270-01



## ICE Series Service Parts

## Exterior Components

Item No.	Description	Model Number				
		ICE0805	ICE0806	ICE1005	ICE1006	ICE1007
1	Top Panel-Air Cooled <b>NLA</b>	2101285-01S	2101285-01S	2101285-01S	2101285-01S	2101285-01S
1	Top Panel-Water and Remote <b>NLA</b>	9051466-01	9051466-01	9051466-01	9051466-01	9051466-01
1	Top Panel-Wall Hugger <b>NLA</b>	9051466-03	9051466-03	9051466-03	9051466-03	9051466-03
2	Top Panel Screw	9031098-02	9031098-02	9031098-02	9031098-02	9031098-02
3	Front Panel <b>NLA</b>	2031465-03	2031465-03	2031465-03	2031465-03	2031465-03
4	Front Panel Screw	9031098-02	9031098-02	9031098-02	9031098-02	9031098-02
5	LH Side Panel	3021773-01	3021773-01	3021773-01	3021773-01	3021773-01
6	Side Panel Screws	9031046-02	9031046-02	9031046-02	9031046-02	9031046-02
7	Plastic Nut Insert	9031141-01	9031141-01	9031141-01	9031141-01	9031141-01
8	RH Side Panel- <b>Louvered NLA</b>	3021794-01	3021794-01	3021794-01	3021794-01	3021794-01
9	Junction Box Cover	3012681-01	3012681-01	3012681-01	3012681-01	3012681-01
10	Junction Box Cover Screw	9031046-01	9031046-01	9031046-01	9031046-01	9031046-01
11	RH Side Panel- <b>Solid NLA</b>	3021775-01	3021775-01	3021775-01	3021775-01	3021775-01
12	Rear Panel	3021740-01	3021740-01	3021740-01	3021740-01	3021740-01
13	Rear Panel Screw	9031046-01	9031046-01	9031046-01	9031046-01	9031046-01
14	Control Box Top Cover	3012905-01	3012905-01	3012905-01	3012905-01	3012905-01
15	Control Box Side Cover	3012891-01	3012891-01	3012891-01	3012891-01	3012891-01
16	Control Box Screws	9031046-01	9031046-01	9031046-01	9031046-01	9031046-01

Plastic Panels are No Longer Available - NLA = No Longer Available

**ICE0806 A2A, W2A and R3A Includes 50 Hz models**

**ICE1006 A2A, W2A and R3A Includes 50 Hz models**

Item No.	Description	Model Number				
		ICE0805	ICE0806	ICE1005	ICE1006	ICE1007
1	Top Panel	2101425-01S	2101425-01S	2101425-01S	2101425-01S	2101425-01S
3	Front Panel	2031511-02S	2031511-02S	2031511-02S	2031511-02S	2031511-02S
3	Front Panel End Cap, Right Hand	9051562-03	9051562-03	9051562-03	9051562-03	9051562-03
3	Front Panel End Cap, Left Hand	9051562-04	9051562-04	9051562-04	9051562-04	9051562-04
4	Front Panel Screws	9031098-04	9031098-04	9031098-04	9031098-04	9031098-04
5	Left Hand Side Panel <b>NLA</b>	9051565-04	9051565-04	9051565-04	9051565-04	9051565-04
7	Plastic Nut	9031141-01	9031141-01	9031141-01	9031141-01	9031141-01
8	Right Side Panel- <b>Air Cooled NLA</b>	2101428-02	2101428-02	2101428-02	2101428-02	2101428-02
11	Right Side Panel-W & R <b>NLA</b>	9051565-04	9051565-04	9051565-04	9051565-04	9051565-04
12	Rear Panel	3021740-01	3021740-01	3021740-01	3021740-01	3021740-01
13	Rear Panel Screws	9031046-01	9031046-01	9031046-01	9031046-01	9031046-01
14	Control Box Top Cover	3012905-01	3012905-01	3012905-01	3012905-01	3012905-01
15	Control Box Side Cover	3012891-01	3012891-01	3012891-01	3012891-01	3012891-01
NA	Rear Brace	3012724-01	3012724-01	3012724-01	3012724-01	3012724-01
NA	Machine Compartment Cover	3012931-01	N/A	3012931-01	N/A	N/A

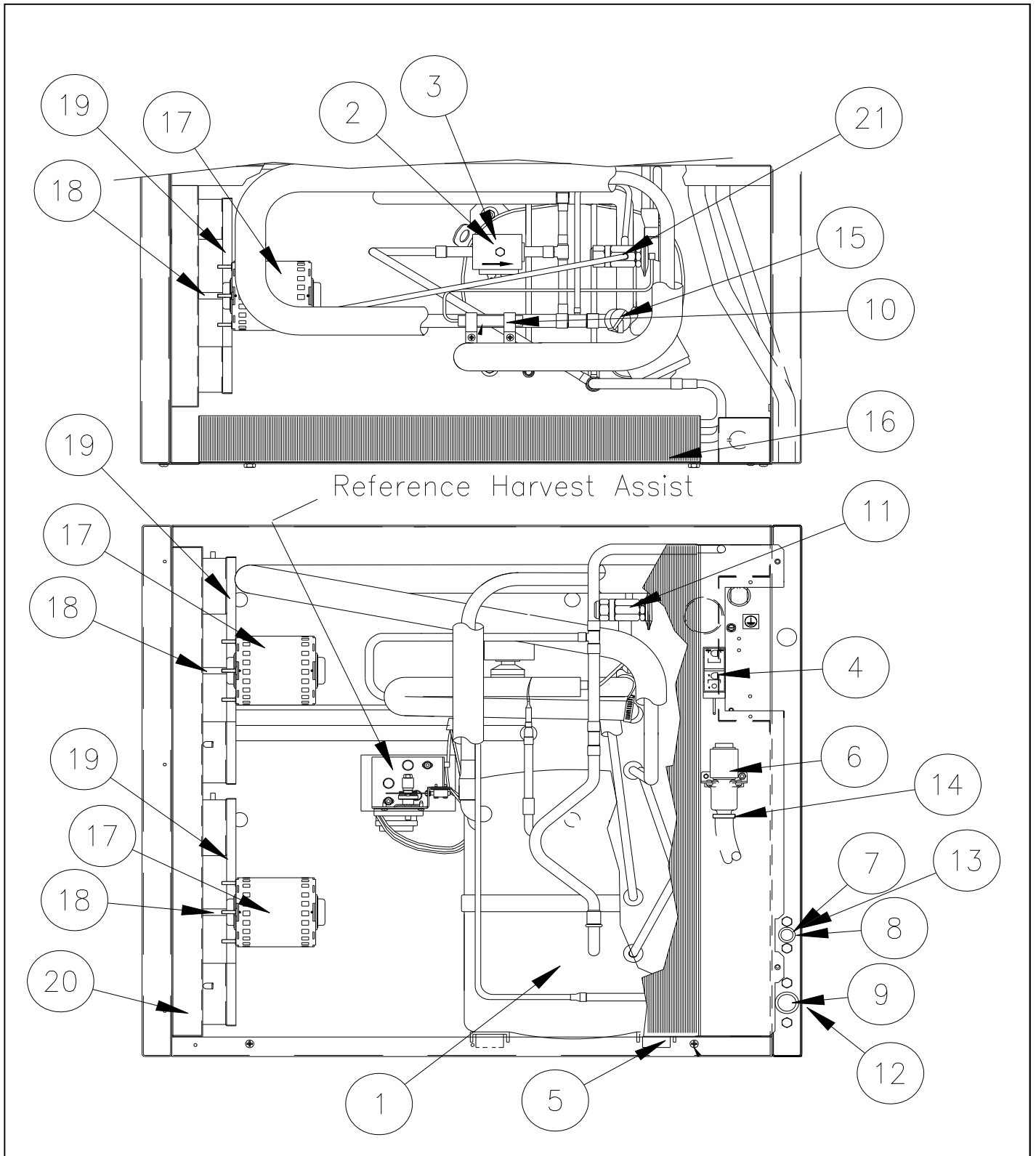
Plastic Panels are No Longer Available - NLA = No Longer Available



Item No.	Description	Model Number				
		ICE0805	ICE0806	ICE1005	ICE1006	ICE1007
1	Left Hand Frame Panel <b>NLA</b>	2021524-02	2021524-02	2021524-02	2021524-02	2021524-02
2	Right Hand Frame Panel <b>NLA</b>	2021527-01	2021527-01	2021527-01	2021527-01	2021527-01
3	Evaporator-Full Cube	<a href="#">2051125-81</a>	<a href="#">2051125-81</a>	<a href="#">2051125-81</a>	<a href="#">2051125-81</a>	<a href="#">2051125-81</a>
3	Evaporator-Half Cube	2051125-82	2051125-82	2051125-82	2051125-82	2051125-82
4	Evaporator Splash Curtain	<a href="#">9051154-12</a>	<a href="#">9051154-12</a>	<a href="#">9051154-12</a>	<a href="#">9051154-12</a>	<a href="#">9051154-12</a>
5	Water Distribution Tube	<a href="#">2041338-01</a>	<a href="#">2041338-01</a>	<a href="#">2041338-01</a>	<a href="#">2041338-01</a>	<a href="#">2041338-01</a>
6	Thumb Screw	<a href="#">9031122-01</a>	<a href="#">9031122-01</a>	<a href="#">9031122-01</a>	<a href="#">9031122-01</a>	<a href="#">9031122-01</a>
7	Rubber Washer	9031004-19	9031004-19	9031004-19	9031004-19	9031004-19
8	High Pressure Control	<a href="#">9041051-04</a>	<a href="#">9041051-04</a>	<a href="#">9041051-04</a>	<a href="#">9041051-04</a>	<a href="#">9041051-04</a>
9	Clamp	<a href="#">9021010-04</a>	<a href="#">9021010-04</a>	<a href="#">9021010-04</a>	<a href="#">9021010-04</a>	<a href="#">9021010-04</a>
10	Water Pump Tube	<a href="#">9051472-01</a>	<a href="#">9051472-01</a>	<a href="#">9051472-01</a>	<a href="#">9051472-01</a>	<a href="#">9051472-01</a>
11	Water Pump	<a href="#">9161079-03</a>	<a href="#">9161079-03</a>	<a href="#">9161079-03</a>	<a href="#">9161079-03</a>	<a href="#">9161079-03</a>
	Thumbscrew / Pump (2 Req)	<a href="#">9161076-101</a>	<a href="#">9161076-101</a>	<a href="#">9161076-101</a>	<a href="#">9161076-101</a>	<a href="#">9161076-101</a>
12	Float	<a href="#">9131111-101</a>	<a href="#">9131111-101</a>	<a href="#">9131111-101</a>	<a href="#">9131111-101</a>	<a href="#">9131111-101</a>
13	Water Float Tube (26")	<a href="#">6021032-01</a>	<a href="#">6021032-01</a>	<a href="#">6021032-01</a>	<a href="#">6021032-01</a>	<a href="#">6021032-01</a>
14	Snap Bushing	<a href="#">9051001-09</a>	<a href="#">9051001-09</a>	<a href="#">9051001-09</a>	<a href="#">9051001-09</a>	<a href="#">9051001-09</a>
15	Water Return Trough	<a href="#">9051537-01</a>	<a href="#">9051537-01</a>	<a href="#">9051537-01</a>	<a href="#">9051537-01</a>	<a href="#">9051537-01</a>
16	Water Return Trough Screw	<a href="#">9031046-24</a>	<a href="#">9031046-24</a>	<a href="#">9031046-24</a>	<a href="#">9031046-24</a>	<a href="#">9031046-24</a>
17	Valve Core	9091086-02	9091086-02	9091086-02	9091086-02	9091086-02
18	Valve Cap	9091086-03	9091086-03	9091086-03	9091086-03	9091086-03
19	Caplug	<a href="#">9131026-02</a>	<a href="#">9131026-02</a>	<a href="#">9131026-02</a>	<a href="#">9131026-02</a>	<a href="#">9131026-02</a>
20	<b>Purge Valve* (9041086 is NLA)</b>	<a href="#">9041105-02</a>	<a href="#">9041105-02</a>	<a href="#">9041105-02</a>	<a href="#">9041105-02</a>	<a href="#">9041105-02</a>
21	Plastic Nut Insert	<a href="#">9031141-01</a>	<a href="#">9031141-01</a>	<a href="#">9031141-01</a>	<a href="#">9031141-01</a>	<a href="#">9031141-01</a>
22	Evaporator Mounting Screw	<a href="#">9031046-01</a>	<a href="#">9031046-01</a>	<a href="#">9031046-01</a>	<a href="#">9031046-01</a>	<a href="#">9031046-01</a>
	Evaporator Spillway	<a href="#">9051135-05</a>	<a href="#">9051135-05</a>	<a href="#">9051135-05</a>	<a href="#">9051135-05</a>	<a href="#">9051135-05</a>
	Evaporator Side Panel - RH	<a href="#">9051170-03</a>	<a href="#">9051170-03</a>	<a href="#">9051170-03</a>	<a href="#">9051170-03</a>	<a href="#">9051170-03</a>
	Evaporator Side Panel - LH	<a href="#">9051170-04</a>	<a href="#">9051170-04</a>	<a href="#">9051170-04</a>	<a href="#">9051170-04</a>	<a href="#">9051170-04</a>
	Evaporator Water Return	<a href="#">9051135-04</a>	<a href="#">9051135-04</a>	<a href="#">9051135-04</a>	<a href="#">9051135-04</a>	<a href="#">9051135-04</a>

**Please note:** Water Pumps are shipped with the Thumbscrews when ordered as a service replacement part.

\* Models with Serial Number 2006 and older will require Service Kit [9041105-101](#)



Item No.	Description	Model Number				
		ICE0805	ICE0806	ICE1005	ICE1006	ICE1007
1	Compressor* (Reference Below)	<a href="#">9181140-12</a>	<a href="#">9181139-11</a>	<a href="#">9181141-12</a>	<a href="#">9181140-11</a>	<a href="#">9181140-13</a>
2	Hot Gas Valve Coil	9151123-04	9151123-04	9151123-04	9151123-04	9151123-04
3	Hot Gas Valve Body	9151123-01	9151123-01	9151123-01	9151123-01	9151123-01
4	Low Pres Control <a href="#">9041094-01</a> NLA	9041104-101	9041104-101	9041104-101	9041104-101	9041104-101
5	Filter Drier <a href="#">9151104-04</a> NLA	9151163-03	9151163-03	9151163-03	9151163-03	9151163-03
6	Purge Valve* <a href="#">9041086-02</a> NLA	9041105-02	9041105-02	9041105-02	9041105-02	9041105-02
7	Drop Adapter	9091074-01	9091074-01	9091074-01	9091074-01	9091074-01
8	Water Inlet Fitting	9091083-01	9091083-01	9091083-01	9091083-01	9091083-01
9	Purge Drain Fitting	9091140-01	9091140-01	9091140-01	9091140-01	9091140-01
10	Clamp-TXV Bulb	9021040-01	9021040-01	9021040-01	9021040-01	9021040-01
11	TXV - <b>ALCO</b>	9151134-05	9151134-05	9151134-05	9151134-05	9151134-05
12	Purge Drain Hose (1.5 Ft.)	6021015-06	6021015-06	6021015-06	6021015-06	6021015-06
13	Tube ( 2.17 Ft.)	6021032-01	6021032-01	6021032-01	6021032-01	6021032-01
14	Clamp	9021010-14	9021010-14	9021010-14	9021010-14	9021010-14
15	High Temp Safety	9041087-04	9041087-04	9041087-04	9041087-04	9041087-04
16	Air Condenser	9141103-01	9141103-01	9141103-01	9141103-01	9141103-01
16	Air Condenser (Beg. Mid Ser. H2)	9141122-01	9141122-01	9141122-01	9141122-01	9141122-01
17	Fan Motor** <a href="#">9161089-03</a> NLA	9161089-03	9161089-03	9161089-03	9161089-03	9161089-03
18	Fan Blade	9131332-02	9131332-02	9131333-01	9131333-01	9131333-01
19	Fan Mtr Bracket	3012527-01	3012527-01	3012527-01	3012527-01	3012527-01
17	Fan Motor (Beg. Mid Ser. H2)***	9161078-02		9161078-02		
18	Fan Blade (Beg. Mid Ser. H2)	9131383-01		9131383-01		
19	Fan Mtr Brkt (Beg. Mid Ser. H2)	2021574-01		2021574-01		
20	Fan Shroud	3012742-01	3012742-01	3012741-01	3012741-01	3012741-01
21	TXV - SPORLAN Assy**** NLA	2041665-02	2041665-02	2041665-02	2041665-02	2041665-02
21	TXV - ALCO Assy**** NLA	2041665-01S	2041665-01S	2041665-01S	2041665-01S	2041665-01S
21	TXV Assembly****	2041982-01S	2041982-01S	2041982-01S	2041982-01S	2041982-01S

\* Models with Serial Number 2006 and older will require Service Kit [9041105-101](#)

Note: The ICE800 series has 1 fan motor, the ICE1000 series has 2 fan motors.

\* Note ICE0806 Air Cooled Compressor [9181106-11](#) is NLA, Replaced by [9181139-11](#)

\* Note ICE1006 Air Cooled Compressor [9181107-11](#) is NLA, Replaced by [9181140-11](#)

\* Note ICE0805 Air Cooled Compressor [9181107-12](#) is NLA, Replaced by [9181140-12](#)

\* Note ICE1005 Air Cooled Compressor [9181090-12](#) is NLA, Replaced by [9181141-12](#)

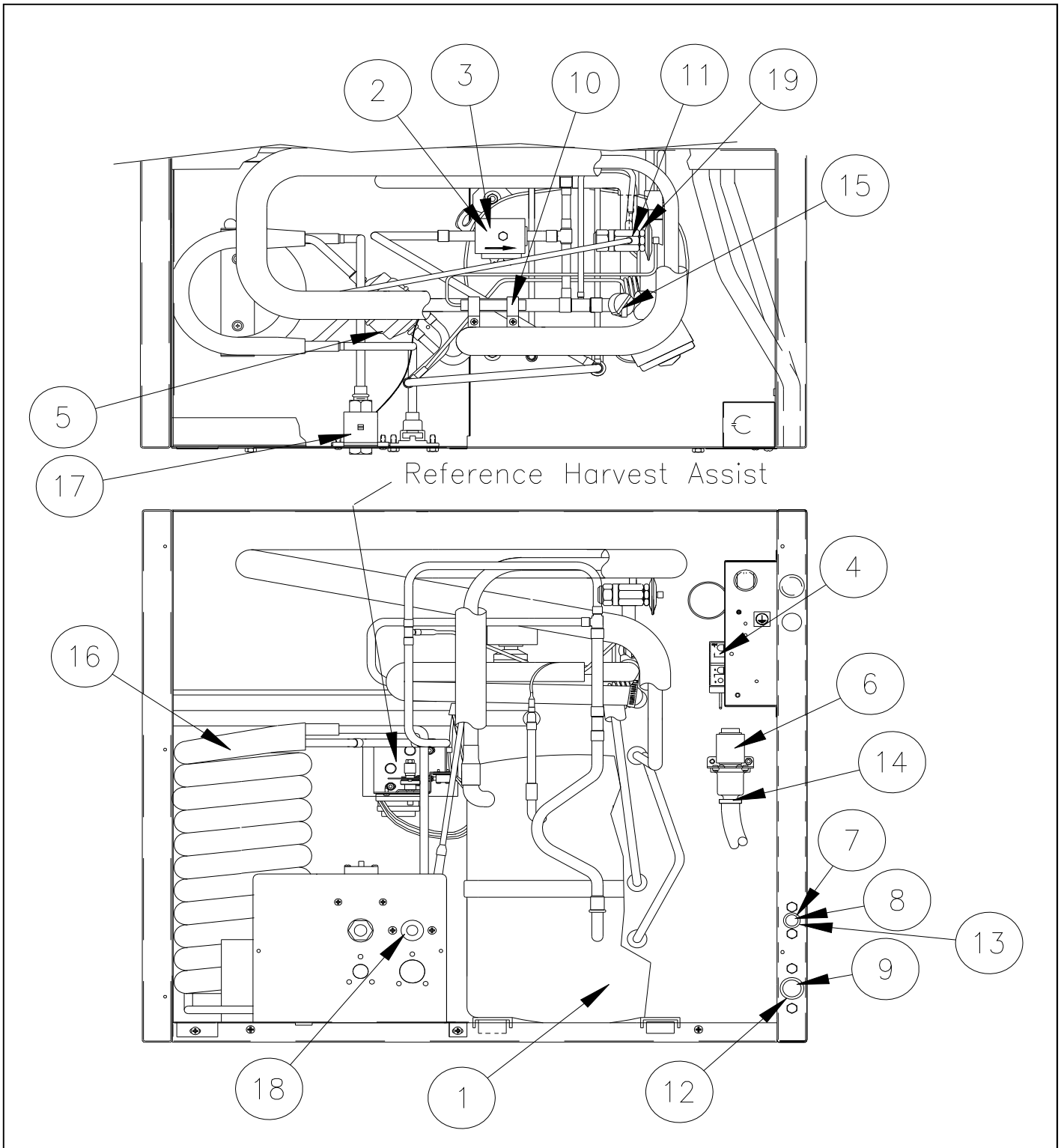
\* Note ICE1007 Air Cooled Compressor [9181107-13](#) is NLA, Replaced by [9181140-13](#) (Aug 2013)

\*\*Fan Motor [9161089-03](#) is NLA, Use Kit PN [1051209-03](#), Include new Fan Motor, Blade and Bracket

\*\*\*Fan Motor (Beg. Mid Ser. H2) Fan Motor [9161078-02](#) is NLA, Use PN [9161124-02](#)

\*\*\*\*Sporlan and Alco TXV Assemblies [2041665-XX](#) are NLA, Use TXV Assembly PN [2041982-01S](#)  
Includes Distributor and Tubing - Same as Current ICE1006 Dual Serpentine Evaporator

Reference Page 20 for Compressor Starting Components



Item No.	Description	Model Number				
		ICE0805	ICE0806	ICE1005	ICE1006	ICE1007
1	Compressor* (Reference Below)	<a href="#">9181140-12</a>	<a href="#">9181139-11</a>	<a href="#">9181141-12</a>	<a href="#">9181140-11</a>	<a href="#">9181140-13</a>
2	Hot Gas Valve Coil	<a href="#">9151123-04</a>	<a href="#">9151123-04</a>	<a href="#">9151123-04</a>	<a href="#">9151123-04</a>	<a href="#">9151123-04</a>
3	Hot Gas Valve Body	<a href="#">9151123-01</a>	<a href="#">9151123-01</a>	<a href="#">9151123-01</a>	<a href="#">9151123-01</a>	<a href="#">9151123-01</a>
4	Low Pres Control <a href="#">9041094-01</a> NLA	<a href="#">9041104-101</a>	<a href="#">9041104-101</a>	<a href="#">9041104-101</a>	<a href="#">9041104-101</a>	<a href="#">9041104-101</a>
5	Filter Drier <a href="#">9151104-04</a> NLA	<a href="#">9151163-03</a>	<a href="#">9151163-03</a>	<a href="#">9151163-03</a>	<a href="#">9151163-03</a>	<a href="#">9151163-03</a>
6	Purge Valve* <a href="#">9041086-02</a> NLA	<a href="#">9041105-02</a>	<a href="#">9041105-02</a>	<a href="#">9041105-02</a>	<a href="#">9041105-02</a>	<a href="#">9041105-02</a>
7	Drop Adapter	<a href="#">9091074-01</a>	<a href="#">9091074-01</a>	<a href="#">9091074-01</a>	<a href="#">9091074-01</a>	<a href="#">9091074-01</a>
8	Water Inlet Fitting	<a href="#">9091083-01</a>	<a href="#">9091083-01</a>	<a href="#">9091083-01</a>	<a href="#">9091083-01</a>	<a href="#">9091083-01</a>
9	Purge Drain Fitting	<a href="#">9091140-01</a>	<a href="#">9091140-01</a>	<a href="#">9091140-01</a>	<a href="#">9091140-01</a>	<a href="#">9091140-01</a>
10	Clamp-TXV Bulb	<a href="#">9021040-01</a>	<a href="#">9021040-01</a>	<a href="#">9021040-01</a>	<a href="#">9021040-01</a>	<a href="#">9021040-01</a>
11	TXV - <b>ALCO</b>	<a href="#">9151134-05</a>	<a href="#">9151134-05</a>	<a href="#">9151134-05</a>	<a href="#">9151134-05</a>	<a href="#">9151134-05</a>
12	Purge Drain Hose	<a href="#">6021015-06</a>	<a href="#">6021015-06</a>	<a href="#">6021015-06</a>	<a href="#">6021015-06</a>	<a href="#">6021015-06</a>
13	Tube ( 2.17 Ft.)	<a href="#">6021032-01</a>	<a href="#">6021032-01</a>	<a href="#">6021032-01</a>	<a href="#">6021032-01</a>	<a href="#">6021032-01</a>
14	Clamp	<a href="#">9021010-14</a>	<a href="#">9021010-14</a>	<a href="#">9021010-14</a>	<a href="#">9021010-14</a>	<a href="#">9021010-14</a>
15	High Temp Safety	<a href="#">9041087-04</a>	<a href="#">9041087-04</a>	<a href="#">9041087-04</a>	<a href="#">9041087-04</a>	<a href="#">9041087-04</a>
16	Water Condenser	<a href="#">9141020-01</a>	<a href="#">9141020-01</a>	<a href="#">9141020-01</a>	<a href="#">9141020-01</a>	<a href="#">9141020-01</a>
16	Water Condenser (Beg. Ser. G2)	<a href="#">9141061-02</a>	<a href="#">9141061-02</a>	<a href="#">9141061-02</a>	<a href="#">9141061-02</a>	<a href="#">9141061-02</a>
17	Water Valve	<a href="#">9041059-01</a>	<a href="#">9041059-01</a>	<a href="#">9041059-01</a>	<a href="#">9041059-01</a>	<a href="#">9041059-01</a>
18	Drop Adapter 1/2"	<a href="#">9091063-02</a>	<a href="#">9091063-02</a>	<a href="#">9091063-02</a>	<a href="#">9091063-02</a>	<a href="#">9091063-02</a>
21	<b>TXV - SPORLAN Assy**** NLA</b>	<a href="#">2041665-02</a>	<a href="#">2041665-02</a>	<a href="#">2041665-02</a>	<a href="#">2041665-02</a>	<a href="#">2041665-02</a>
21	<b>TXV - ALCO Assy**** NLA</b>	<a href="#">2041665-01S</a>	<a href="#">2041665-01S</a>	<a href="#">2041665-01S</a>	<a href="#">2041665-01S</a>	<a href="#">2041665-01S</a>
21	<b>TXV Assembly****</b>	<a href="#">2041982-01S</a>	<a href="#">2041982-01S</a>	<a href="#">2041982-01S</a>	<a href="#">2041982-01S</a>	<a href="#">2041982-01S</a>

\* Models with Serial Number 2006 and older will require Service Kit [9041105-101](#)

\* Note ICE0806 Water Cooled Compressor [9181106-11](#) is NLA, Replaced by [9181139-11](#)

\* Note ICE1006 Water Cooled Compressor [9181107-11](#) is NLA, Replaced by [9181140-11](#)

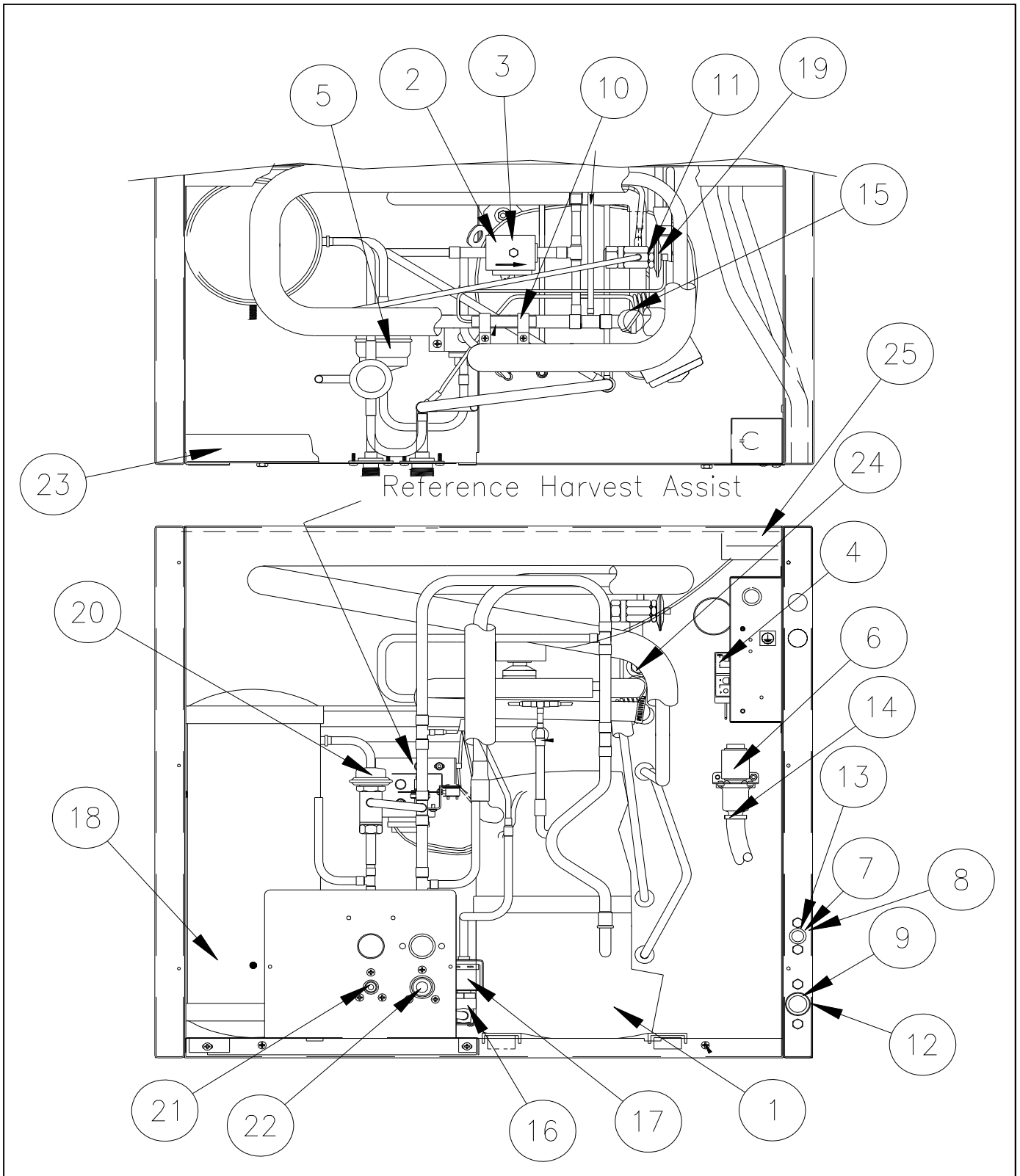
\* Note ICE0805 Water Cooled Compressor [9181107-12](#) is NLA, Replaced by [9181140-12](#)

\* Note ICE1005 Water Cooled Compressor [9181090-12](#) is NLA, Replaced by [9181141-12](#)

\* Note ICE1007 Water Cooled Compressor [9181107-13](#) is NLA, Replaced by [9181140-13](#) (Aug 2013)

Reference Page 20 for Compressor Starting Components

\*\*\*\***Sporlan and Alco TXV Assemblies 2041665-XX are NLA, Use TXV Assembly PN [2041982-01S](#) Includes Distributor and Tubing - Same as Current ICE1006 Dual Serpentine Evaporator**



Item No.	Description	Model Number				
		ICE0805	ICE0806	ICE1005	ICE1006	ICE1007
1	Compressor* (Reference Below)	<a href="#">9181140-12</a>	<a href="#">9181140-11</a>	<a href="#">9181141-12</a>	<a href="#">9181141-11</a>	<a href="#">9181107-13</a>
2	Hot Gas Valve Coil	<a href="#">9151123-04</a>	<a href="#">9151123-04</a>	<a href="#">9151123-04</a>	<a href="#">9151123-04</a>	<a href="#">9151123-04</a>
3	Hot Gas Valve Body	<a href="#">9151123-01</a>	<a href="#">9151123-01</a>	<a href="#">9151123-01</a>	<a href="#">9151123-01</a>	<a href="#">9151123-01</a>
4	Low Pres Control <a href="#">9041094-01</a> NLA	<a href="#">9041104-101</a>	<a href="#">9041104-101</a>	<a href="#">9041104-101</a>	<a href="#">9041104-101</a>	<a href="#">9041104-101</a>
5	Filter Drier <a href="#">9151104-04</a> NLA	<a href="#">9151163-03</a>	<a href="#">9151163-03</a>	<a href="#">9151163-03</a>	<a href="#">9151163-03</a>	<a href="#">9151163-03</a>
6	Purge Valve* <a href="#">9041086-02</a> NLA	<a href="#">9041105-02</a>	<a href="#">9041105-02</a>	<a href="#">9041105-02</a>	<a href="#">9041105-02</a>	<a href="#">9041105-02</a>
7	Drop Adapter	<a href="#">9091074-01</a>	<a href="#">9091074-01</a>	<a href="#">9091074-01</a>	<a href="#">9091074-01</a>	<a href="#">9091074-01</a>
8	Water Inlet Fitting	<a href="#">9091083-01</a>	<a href="#">9091083-01</a>	<a href="#">9091083-01</a>	<a href="#">9091083-01</a>	<a href="#">9091083-01</a>
9	Purge Drain Fitting	<a href="#">9091140-01</a>	<a href="#">9091140-01</a>	<a href="#">9091140-01</a>	<a href="#">9091140-01</a>	<a href="#">9091140-01</a>
10	Clamp-TXV Bulb	<a href="#">9021040-01</a>	<a href="#">9021040-01</a>	<a href="#">9021040-01</a>	<a href="#">9021040-01</a>	<a href="#">9021040-01</a>
11	<b>TXV - SPORLAN NLA</b>	<b><a href="#">9151006-14</a></b>	<b><a href="#">9151006-14</a></b>	<b><a href="#">9151006-14</a></b>	<b><a href="#">9151006-14</a></b>	<b><a href="#">9151006-14</a></b>
11	TXV - ALCO (Beg. Mid Ser. H2)	<a href="#">9151134-05</a>	<a href="#">9151134-05</a>	<a href="#">9151134-05</a>	<a href="#">9151134-05</a>	<a href="#">9151134-05</a>
12	Purge Drain Hose	<a href="#">6021015-06</a>	<a href="#">6021015-06</a>	<a href="#">6021015-06</a>	<a href="#">6021015-06</a>	<a href="#">6021015-06</a>
13	Tube ( 2.17 Ft.)	<a href="#">6021032-01</a>	<a href="#">6021032-01</a>	<a href="#">6021032-01</a>	<a href="#">6021032-01</a>	<a href="#">6021032-01</a>
14	Clamp	<a href="#">9021010-14</a>	<a href="#">9021010-14</a>	<a href="#">9021010-14</a>	<a href="#">9021010-14</a>	<a href="#">9021010-14</a>
15	High Temp Safety	<a href="#">9041087-04</a>	<a href="#">9041087-04</a>	<a href="#">9041087-04</a>	<a href="#">9041087-04</a>	<a href="#">9041087-04</a>
15	High Temp Safety (Beg. Rev. 3)	<a href="#">9041087-06</a>	<a href="#">9041087-06</a>	<a href="#">9041087-06</a>	<a href="#">9041087-06</a>	<a href="#">9041087-06</a>
16	Liquid Line Solenoid Body	<a href="#">9151123-02</a>	<a href="#">9151123-02</a>	<a href="#">9151123-02</a>	<a href="#">9151123-02</a>	<a href="#">9151123-02</a>
17	Liquid Line Solenoid Coil	<a href="#">9151123-04</a>	<a href="#">9151123-04</a>	<a href="#">9151123-04</a>	<a href="#">9151123-04</a>	<a href="#">9151123-04</a>
18	Receiver	<a href="#">9151060-01</a>	<a href="#">9151060-01</a>	<a href="#">9151060-01</a>	<a href="#">9151060-01</a>	<a href="#">9151060-01</a>
19	<b>TXV - ALCO Assy**** NLA</b>	<b><a href="#">2041665-01S</a></b>	<b><a href="#">2041665-01S</a></b>	<b><a href="#">2041665-01S</a></b>	<b><a href="#">2041665-01S</a></b>	<b><a href="#">2041665-01S</a></b>
	<b>TXV Assembly****</b>	<b><a href="#">2041982-01S</a></b>	<b><a href="#">2041982-01S</a></b>	<b><a href="#">2041982-01S</a></b>	<b><a href="#">2041982-01S</a></b>	<b><a href="#">2041982-01S</a></b>
20	Mixing Valve (240)	<a href="#">9151027-06</a>	<a href="#">9151027-06</a>	<a href="#">9151027-06</a>	<a href="#">9151027-06</a>	<a href="#">9151027-06</a>
21	Remote Fitting 3/8"	<a href="#">9091001-11</a>	<a href="#">9091001-11</a>	<a href="#">9091001-11</a>	<a href="#">9091001-11</a>	<a href="#">9091001-11</a>
22	Remote Fitting 1/2"	<a href="#">9091001-12</a>	<a href="#">9091001-12</a>	<a href="#">9091001-12</a>	<a href="#">9091001-12</a>	<a href="#">9091001-12</a>
23	Rear Brace	<a href="#">3022724-01</a>	<a href="#">3022724-01</a>	<a href="#">3022724-01</a>	<a href="#">3022724-01</a>	<a href="#">3022724-01</a>
23	Rear Brace (Wall Hugger)	<a href="#">3012515-01</a>	<a href="#">3012515-01</a>	<a href="#">3012515-01</a>	<a href="#">3012515-01</a>	<a href="#">3012515-01</a>
24	High Press Control	<a href="#">9041051-04</a>	<a href="#">9041051-04</a>	<a href="#">9041051-04</a>	<a href="#">9041051-04</a>	<a href="#">9041051-04</a>
24	High Press Control (Beg. Rev. 3)	<a href="#">9041091-01</a>	<a href="#">9041091-01</a>	<a href="#">9041091-01</a>	<a href="#">9041091-01</a>	<a href="#">9041091-01</a>
25	<b>Pump Down Control NLA</b>	<b><a href="#">9041040-01</a></b>	<b><a href="#">9041040-01</a></b>	<b><a href="#">9041040-01</a></b>	<b><a href="#">9041040-01</a></b>	<b><a href="#">9041040-01</a></b>
25	<b>Pump Down Control Replaces <a href="#">9041040-01</a></b>	<b><a href="#">9041092-02</a></b>	<b><a href="#">9041092-02</a></b>	<b><a href="#">9041092-02</a></b>	<b><a href="#">9041092-02</a></b>	<b><a href="#">9041092-02</a></b>
	Check Valve	<a href="#">9151139-01</a>	<a href="#">9151139-01</a>	<a href="#">9151139-01</a>	<a href="#">9151139-01</a>	<a href="#">9151139-01</a>
	Roto-Loc Valve	<a href="#">9091137-01</a>	<a href="#">9091137-01</a>	<a href="#">9091137-01</a>	<a href="#">9091137-01</a>	<a href="#">9091137-01</a>

\* Includes Distributor and Tubing - Same Effectivity Date as TXV's

**PLEASE NOTE: Mixing Valves are not used on Remote Cubers beginning Revision 3.**

**PLEASE NOTE: When using an ICE Revision 3 Remote Cuber on an existing or new ERC Remote Condenser, please use kit [1051138-01](#) at installation.**

\* Models with Serial Number 2006 and older will require Service Kit [9041105-101](#)

**\* Note ICE0806 Remote Cooled Compressor [9181107-11](#) is NLA, Replaced by [9181140-11](#)**

**\* Note ICE1006 Remote Cooled Compressor [9181090-11](#) is NLA, Replaced by [9181141-11](#)**

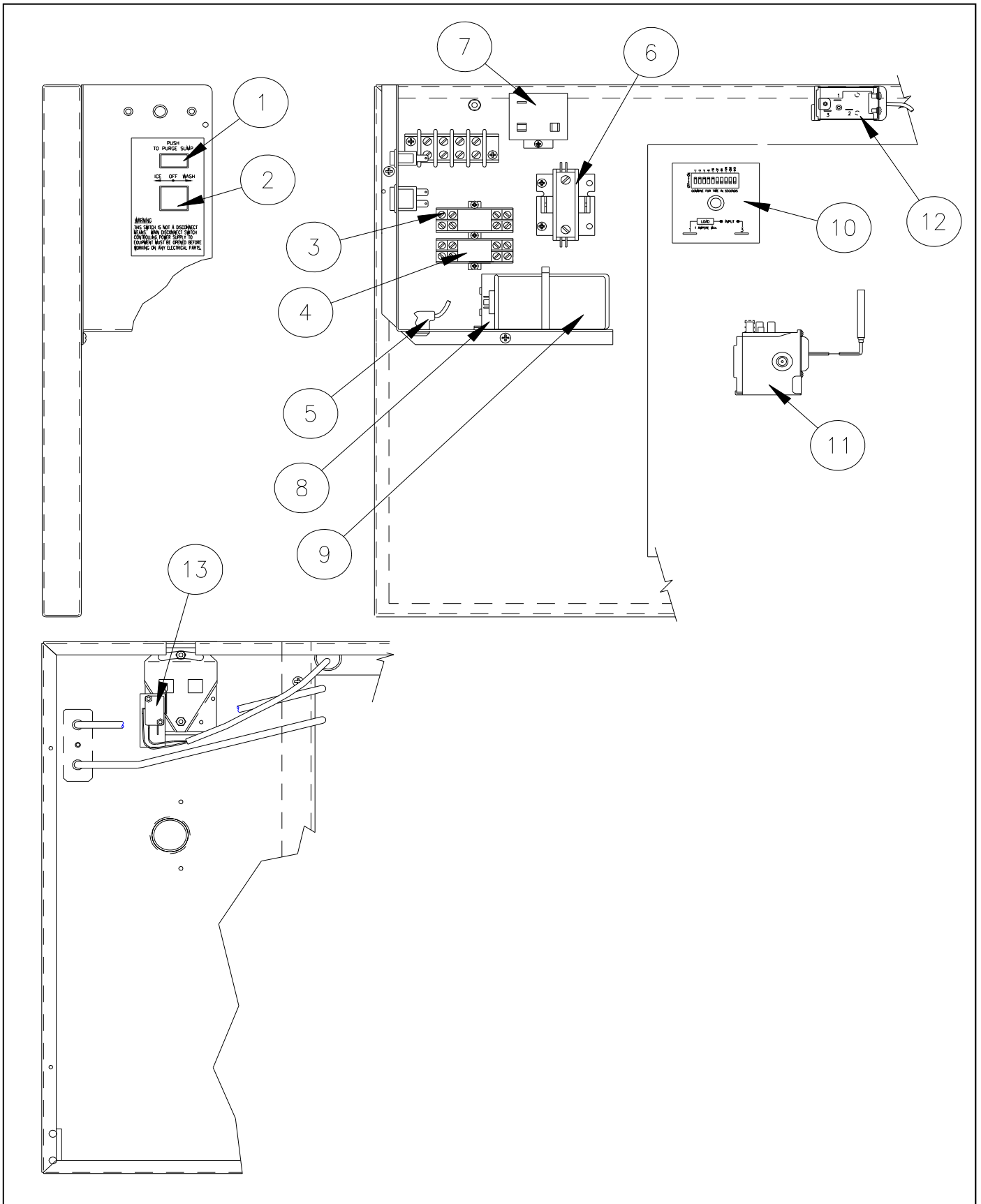
**\* Note ICE0805 remote Cooled Compressor [9181107-12](#) is NLA, Replaced by [9181140-12](#)**

**\* Note ICE1005 Remote Cooled Compressor [9181090-12](#) is NLA, Replaced by [9181141-12](#)**

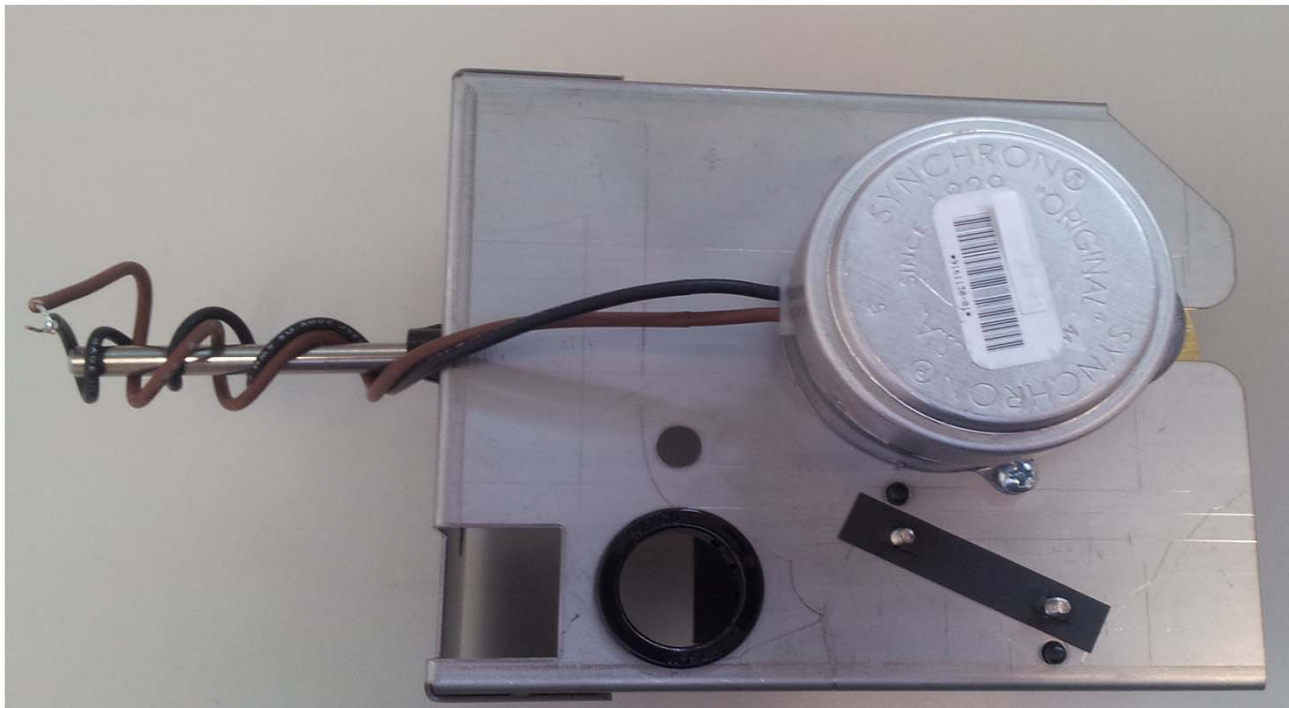
**\* Note ICE1007 Remote Cooled Compressor [9181107-13](#) is NLA, Replaced by [9181140-13](#) (Aug 2013)**

Reference Page 20 for Compressor Starting Components

**\*\*\*\*Sporlan and Alco TXV Assemblies 2041665-XX are NLA, Use TXV Assembly PN [2041982-01S](#)  
Includes Distributor and Tubing - Same as Current ICE1006 Dual Serpentine Evaporator**



Item No.	Description	Model Number				
		ICE0805	ICE0806	ICE1005	ICE1006	ICE1007
1	Purge Switch <b>9101139-03 is NLA</b>	<a href="#">1051208-01</a>	<a href="#">1051208-01</a>	<a href="#">1051208-01</a>	<a href="#">1051208-01</a>	<a href="#">1051208-01</a>
2	ON-OFF-WASH Switch <b>9101195-01 NLA</b>	<a href="#">9101349-01</a>	<a href="#">9101349-01</a>	<a href="#">9101349-01</a>	<a href="#">9101349-01</a>	<a href="#">9101349-01</a>
3	Relay Socket	<a href="#">9101083-01</a>	<a href="#">9101083-01</a>	<a href="#">9101083-01</a>	<a href="#">9101083-01</a>	<a href="#">9101083-01</a>
4	Relay	<a href="#">9101084-02</a>	<a href="#">9101084-02</a>	<a href="#">9101084-02</a>	<a href="#">9101084-02</a>	<a href="#">9101084-02</a>
5	Water Pump Cord	<a href="#">9101218-12</a>	<a href="#">9101218-12</a>	<a href="#">9101218-12</a>	<a href="#">9101218-12</a>	<a href="#">9101218-12</a>
6	Contacto	<a href="#">9101002-04</a>	<a href="#">9101002-04</a>	<a href="#">9101002-04</a>	<a href="#">9101002-04</a>	<a href="#">9101079-02</a>
7	Compressor Start Relay	See page 23	See page 23	See page 23	See page 23	See page 23
8	Start Capacitor	See page 23	See page 23	See page 23	See page 23	See page 23
9	Run Capacitor	See page 23	See page 23	See page 23	See page 23	See page 23
10	Timer	<a href="#">9101148-01</a>	<a href="#">9101148-01</a>	<a href="#">9101148-01</a>	<a href="#">9101148-01</a>	<a href="#">9101148-01</a>
11	Low Pressure Timer Initiate	<a href="#">9041104-101A</a>	<a href="#">9041104-101A</a>	<a href="#">9041104-101A</a>	<a href="#">9041104-101A</a>	<a href="#">9041104-101A</a>
12	<b>Pump Down Control NLA</b>	<a href="#">9041040-01</a>	<a href="#">9041040-01</a>	<a href="#">9041040-01</a>	<a href="#">9041040-01</a>	<a href="#">9041040-01</a>
	<small>Pump Down Control Replaces 9041040-01</small>	<a href="#">9041092-02</a>	<a href="#">9041092-02</a>	<a href="#">9041092-02</a>	<a href="#">9041092-02</a>	<a href="#">9041092-02</a>
13	Bin Switch	<a href="#">9101124-02</a>	<a href="#">9101124-02</a>	<a href="#">9101124-02</a>	<a href="#">9101124-02</a>	<a href="#">9101124-02</a>



**1051210-XX Reference Page 15 for Specific Model Number and Part Number**

- The **1051210-XX** assembly will fit all ICE Models from October 1999 and EC Models.
- Units installed with a double cam switch, either Field installed or Factory installed will require the complete assembly and a potential wiring change as per the New Wiring Diagram included with the assembly.
- Individual component parts are not available for the **1051210-XX** assembly.
- Individual component parts are No Longer Available for previous version of the Harvest Assist Assembly
- Parts for the **2061962-XX** Harvest Assist Assembly are not compatible with **1051210-XX** Harvest Assist Assembly.
- Proper assembly and alignment of the parts is critical to proper operation, this includes cam and probe alignment.
- If a **1051210-XX** assembly fails, it must be returned to Ice-O-Matic.

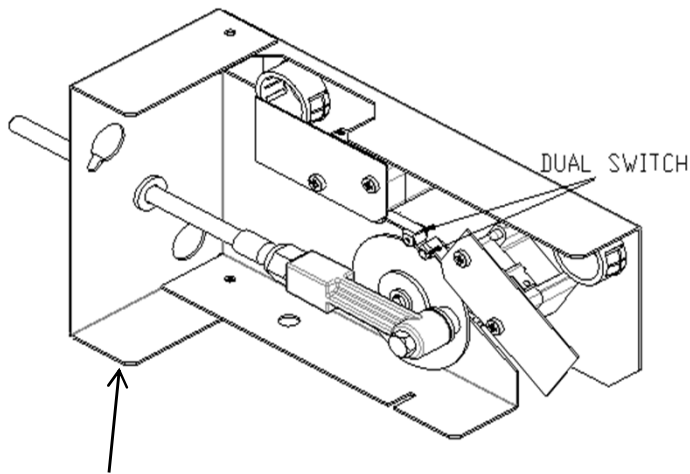
Reference the Model Number below for the specific Harvest Assist Assembly

Item No.	Description	Model Number				
		ICE0805	ICE0806	ICE1005	ICE1006	ICE1007
1	<b>Complete Assembly</b>	1051210-02	1051210-02	1051210-02	1051210-02	1051210-02
	<b>No Longer Available</b>	2061962-02S	2061962-02S	2061962-02S	2061962-02S	2061962-02S

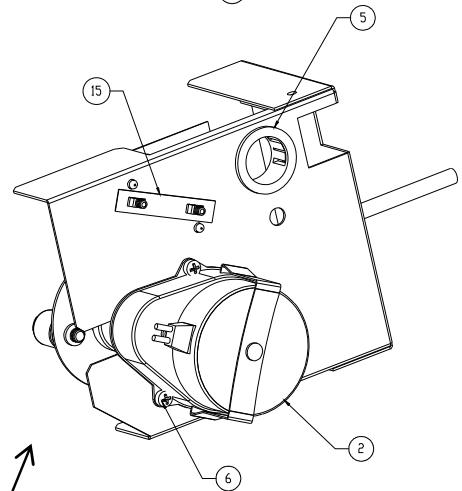
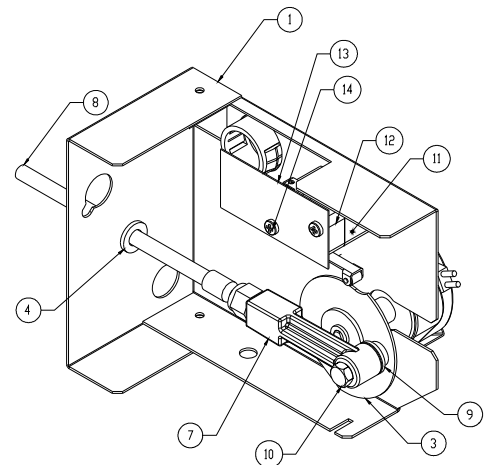
1051210-XX are only supplied as complete assemblies, individual components are not available.

Please reference the above Model Numbers to insure the correct assembly is supplied

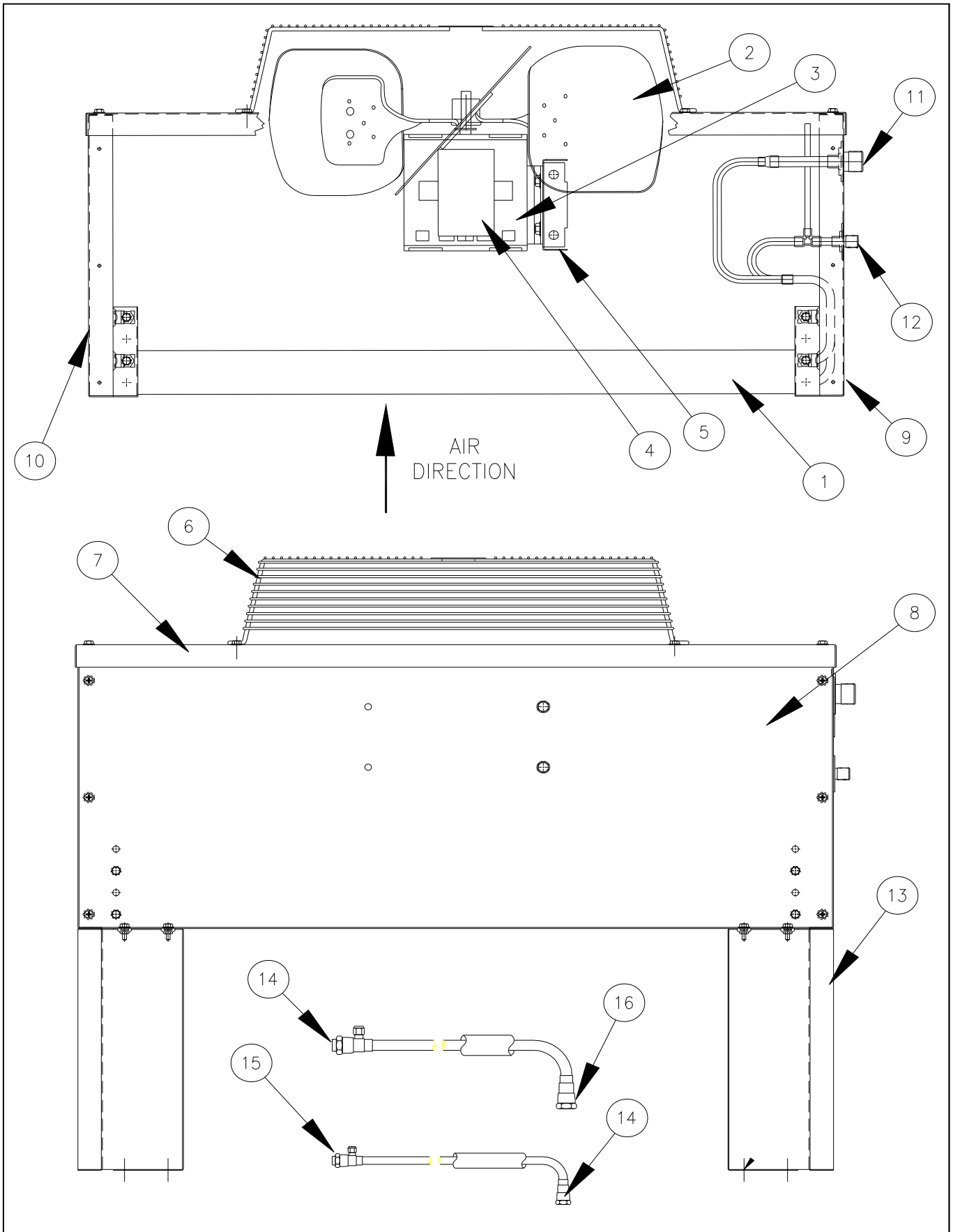
**THE DUAL CAM SWITCH HARVEST ASSIST ASSEMBLIES ARE NO LONGER AVAILABLE**



1051199-01	No Longer Available
1051200-01	No Longer Available
1051201-01	No Longer Available
1051202-01	No Longer Available
1051207-01	No Longer Available

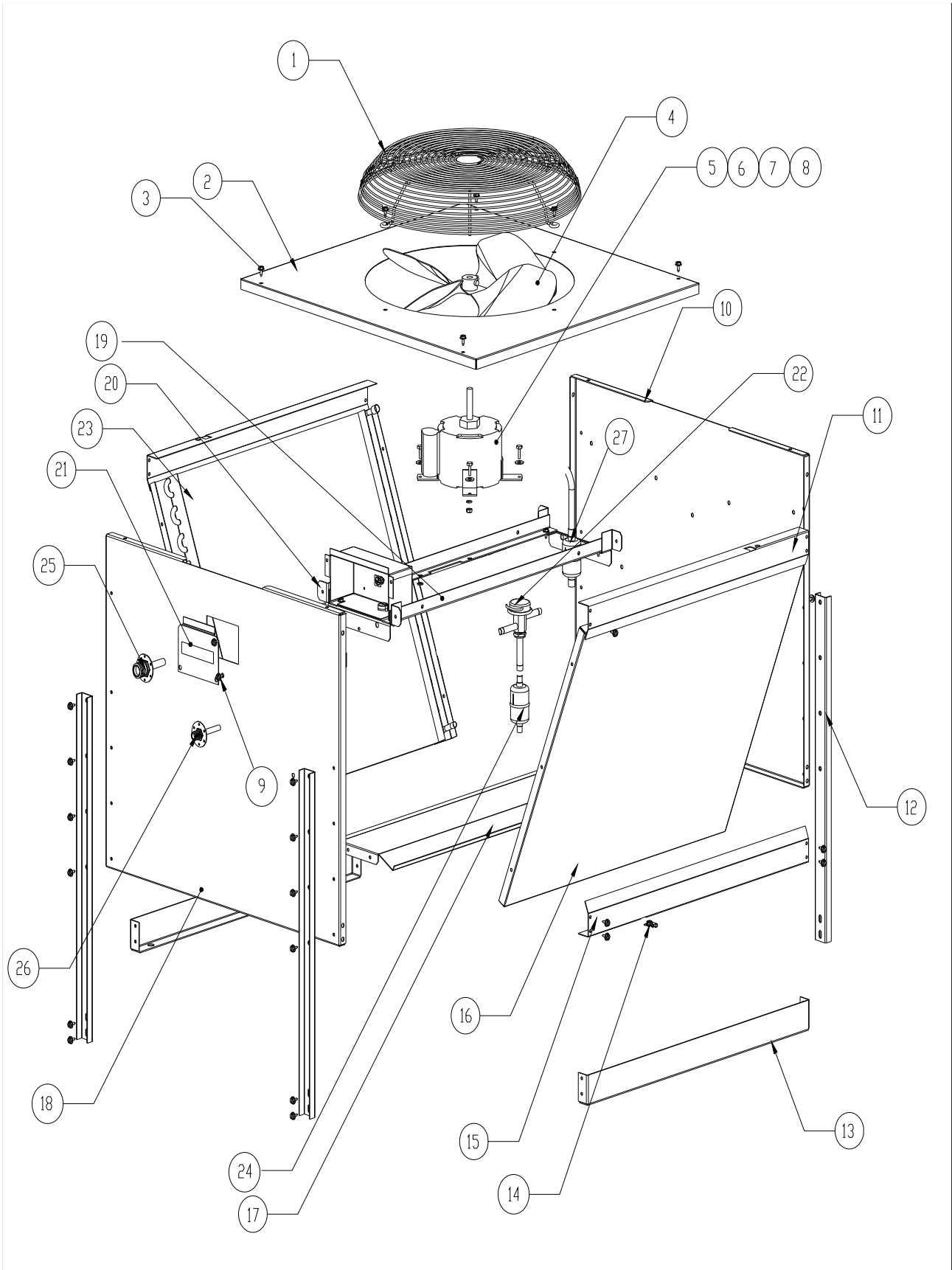


2061962-01S	No Longer Available
2061962-02S	No Longer Available



Item No.	Description	Model Number				
		ICE0805	ICE0806	ICE1005	ICE1006	ICE1007
		ERC2061	ERC2061	ERC2061	ERC2061	ERC2061
1	Condenser	9141108-01	9141108-01	9141108-01	9141108-01	9141108-01
2	Fan Blade	9131357-01	9131357-01	9131357-01	9131357-01	9131357-01
3	Fan Motor	9161110-02	9161110-02	9161110-02	9161110-02	9161110-02
4	Capacitor	9161110-92	9161110-92	9161110-92	9161110-92	9161110-92
5	Fan Motor Brace	3012802-01	3012802-01	3012802-01	3012802-01	3012802-01
6	Fan Guard	9131356-01	9131356-01	9131356-01	9131356-01	9131356-01
7	Top Panel	3012806-01	3012806-01	3012806-01	3012806-01	3012806-01
8	Side Panel	3012793-01	3012793-01	3012793-01	3012793-01	3012793-01
9	Front Panel	3012804-01	3012804-01	3012804-01	3012804-01	3012804-01
10	Rear Panel	3012805-01	3012805-01	3012805-01	3012805-01	3012805-01
11	Coupling Half-Bulkhead-1/2"	9091001-12	9091001-12	9091001-12	9091001-12	9091001-12
12	Coupling Half-Bulkhead-3/8"	9091001-11	9091001-11	9091001-11	9091001-11	9091001-11
13	Mounting Leg	3012795-01	3012795-01	3012795-01	3012795-01	3012795-01
14	Lineset Fitting with Port 1/2"	9091001-10	9091001-10	9091001-10	9091001-10	9091001-10
15	Lineset Fitting with Port 3/8"	9091001-04	9091001-04	9091001-04	9091001-04	9091001-04
16	Lineset Fitting without Port 1/2"	9091001-08	9091001-08	9091001-08	9091001-08	9091001-08
17	Lineset Fitting without Port 3/8"	9091001-02	9091001-02	9091001-02	9091001-02	9091001-02

Item No.	Description	Model Number				
		ICE0805	ICE0806	ICE1005	ICE1006	ICE1007
		ERC2062	ERC2062	ERC2062	ERC2062	ERC2062
1	Condenser	9141110-01	9141110-01	9141110-01	9141110-01	9141110-01
2	Fan Blade	9131357-01	9131357-01	9131357-01	9131357-01	9131357-01
3	Fan Motor	9161110-02	9161110-02	9161110-02	9161110-02	9161110-02
4	Capacitor	9161110-92	9161110-92	9161110-92	9161110-92	9161110-92
5	Fan Motor Brace	3012802-01	3012802-01	3012802-01	3012802-01	3012802-01
6	Fan Guard	9131356-01	9131356-01	9131356-01	9131356-01	9131356-01
7	Top Panel	3012807-01	3012807-01	3012807-01	3012807-01	3012807-01
8	Side Panel	3012794-01	3012794-01	3012794-01	3012794-01	3012794-01
9	Front Panel	3012804-01	3012804-01	3012804-01	3012804-01	3012804-01
10	Rear Panel	3012805-01	3012805-01	3012805-01	3012805-01	3012805-01
11	Coupling Half-Bulkhead-1/2"	9091001-12	9091001-12	9091001-12	9091001-12	9091001-12
12	Coupling Half-Bulkhead-3/8"	9091001-11	9091001-11	9091001-11	9091001-11	9091001-11
13	Mounting Leg	3012795-01	3012795-01	3012795-01	3012795-01	3012795-01
14	Lineset Fitting with Port 1/2"	9091001-10	9091001-10	9091001-10	9091001-10	9091001-10
15	Lineset Fitting with Port 3/8"	9091001-04	9091001-04	9091001-04	9091001-04	9091001-04
16	Lineset Fitting without Port 1/2"	9091001-08	9091001-08	9091001-08	9091001-08	9091001-08
17	Lineset Fitting without Port 3/8"	9091001-02	9091001-02	9091001-02	9091001-02	9091001-02



# ICE Series Service Parts

# VRC Condenser

		ICE0800R4	ICE1400R4	ICE1800R4
ICE0500R	ICE0600R	ICE1000R4	ICE1506R3	ICE2100R4

Item	Description	VRC1001	VRC1061	VRC2061	VRC2661	VRC5061
1	Fan Guard	9131452-01	9131452-01	9131452-01	9131452-01	9131460-01
2	Top Panel	3013222-01	3013222-01	3013222-01	3013222-01	3013303-01
3	¼-20 x 1/2 Screw	9031019-04	9031019-04	9031019-04	9031019-04	9031019-04
4	Fan Blade	9131451-01	9131451-01	9131451-01	9131451-01	9131461-01
5	Fan Motor	9161117-02	9161117-01	9161117-01	9161117-01	9161118-01
6	¼-20 x ¾ Cap Screw	9031001-02	9031001-02	9031001-02	9031001-02	9031001-02
7	Flat Washer	9031003-01	9031003-01	9031003-01	9031003-01	9031003-01
8	Flanged Lock Nut	9031118-02	9031118-02	9031118-02	9031118-02	9031118-02
9	¼-20 x 1/2 Screw	9031019-04	9031019-04	9031019-04	9031019-04	9031019-04
10	Rear Panel	3013224-01	3013224-01	3013224-01	3013224-01	3013224-01
11	Brace	3013226-01	3013226-01	3013226-01	3013226-01	3013305-01
12	Leg	3013227-01	3013227-01	3013227-01	3013227-01	3013227-01
13	Leg Brace	3013228-01	3013228-01	3013228-01	3013228-01	3013306-01
14	T-Nut-Shipping Only	N/A	N/A	N/A	N/A	N/A
15	Brace	3013226-01	3013226-01	3013226-01	3013226-01	3013305-01
16	Cover Panel	3013232-01	3013232-01	N/A	N/A	N/A
17	Center Panel	3013225-01	3013225-01	3013225-01	3013225-01	3013304-01
18	Front Panel	3013223-01	3013223-01	3013223-01	3013223-01	3013223-01
19	Motor Brace	3013234-01	3013234-01	3013234-01	3013234-01	3013307-01
20	Motor Brace Support	3013233-01	3013233-01	3013233-01	3013233-01	3013233-01
21	Junction Box Cover	3013229-01	3013229-01	3013229-01	3013229-01	3013229-01
22	Mixing Valve	9151142-02	9151142-02	9151142-02	9151142-02	9151142-02
23	Condenser	9141130-01	9141130-01	9141130-01	9141131-01	9141133-01
24	Filter	9151143-01	9151143-01	9151143-01	9151143-01	9151143-01
25	1/2 Coupling	9091001-12	9091001-12	9091001-12	9091001-12	9091001-12
26	3/8 Coupling	9091001-11	9091001-11	9091001-11	9091001-11	9091001-11
27	Filter	9151143-02	9151143-02	9151143-02	9151143-02	9151143-02

**Compressors Underlined are NO LONGER AVAILABLE**

**Model Number**

Model Number	ICE0805	ICE0806	ICE1005	ICE1006	ICE1007
Compressor	<u>9181107-12</u>	See Below	<u>9181090-12</u>	See Below	<u>9181107-13</u>
Start Capacitor	9181003-32	See Below	9181003-07	See Below	N/A
Run Capacitor	9181009-17	See Below	9181009-12	See Below	N/A
Relay	9181010-04	See Below	9181010-12	See Below	N/A

Model Number		ICE0806 A&W		ICE1006 A&W
Compressor		<u>9181106-11</u>		<u>9181107-11</u>
Start Capacitor		9181003-07		9181003-07
Run Capacitor		9181009-16		9181009-16
Relay		9181010-12		9181010-12

Model Number		ICE0806 R		ICE1006 R
Compressor		<u>9181107-11</u>		<u>9181090-11</u>
Start Capacitor		9181003-07		9181003-19
Run Capacitor		9181009-16		9181009-12
Relay		9181010-12		9181010-10

Reference the compressor model number to insure the correct starting components are ordered

CS12K6E-PFJ-235	<u>9181107-12</u>				
CS10K6E-PFV-235		<u>9181106-11</u>			
CS146E-PFJ-235			<u>9181090-12</u>		
CS12K6E-PFV-235		<u>9181107-11</u>		<u>9181107-11</u>	
CS14K6E-PFV-235				<u>9181090-11</u>	
CS12K6E-TF5					<u>9181107-13</u>

The following compressors are no longer available and have been replaced with the compressor kits below.

<u>9181140-12</u> CS12K6E-PFJ-255	<u>9181107-12</u>				
<u>9181139-11</u> CS10K6E-PFV-255		<u>9181106-11</u>			
<u>9181141-12</u> CS14K6E-PFJ-255			<u>9181090-12</u>		
<u>9181140-11</u> CS12K6E-PFV-255		<u>9181107-11</u>		<u>9181107-11</u>	
<u>9181141-11</u> CS14K6E-PFV-255				<u>9181090-11</u>	
<u>9181140-13</u> CS12K6E-TF5-255					<u>9181107-13</u>

Reference the compressor model number to insure the correct starting components are ordered

Model Number	ICE0805	ICE0806	ICE1005	ICE1006	ICE1007
Compressor	9181140-12	See Below	9181141-12	See Below	9181140-13
Start Capacitor	9181003-32	See Below	9181003-07	See Below	N/A
Run Capacitor	9181009-17	See Below	9181009-12	See Below	N/A
Relay	9181010-04	See Below	9181010-12	See Below	N/A

Model Number		ICE0806 A&W		ICE1006 A&W
Compressor		9181139-11		9181140-11
Start Capacitor		9181003-07		9181003-07
Run Capacitor		9181009-16		9181009-16
Relay		9181010-12		9181010-12

Model Number		ICE0806 R		ICE1006 R
Compressor		9181140-11		9181141-11
Start Capacitor		9181003-07		9181003-19
Run Capacitor		9181009-16		9181009-12
Relay		9181010-12		9181010-10