



**SERVICE PARTS MANUAL**  
**ICE SERIES CUBERS**  
**MODEL-ICE1405 A4,A5-W4,W5-R4,R5**  
**MODEL-ICE1406 A4,A5,A6,A7-W4,W5-R4,R5,R6,R7**  
**MODEL-ICE1407 A4,A5-W4,W5-R5**  
Includes 50Hz.and 3 phase Units



14-1026-A

Date 5/24/16



# ICE Series Service Parts

This parts list contains the service parts available for the ICE1400 Series listed below

**ICE1406 A4-5-6-7, W4-5 and R4-5-6-7**

**ICE1405 A4-5, W4-5 and R4-5**

**ICE1407 A4-5, W4-5 and R4-5**

The **ICE1406A6** is a **new model**, reference the specific model number to insure that the correct components are ordered.  
The **ICE1406A6** begins with **Serial Number 14101280011427**

The **ICE1406A7** is a **new model**, reference the specific model number to insure that the correct components are ordered.  
The **ICE1406A7** begins with **Serial Number 15081280014734**

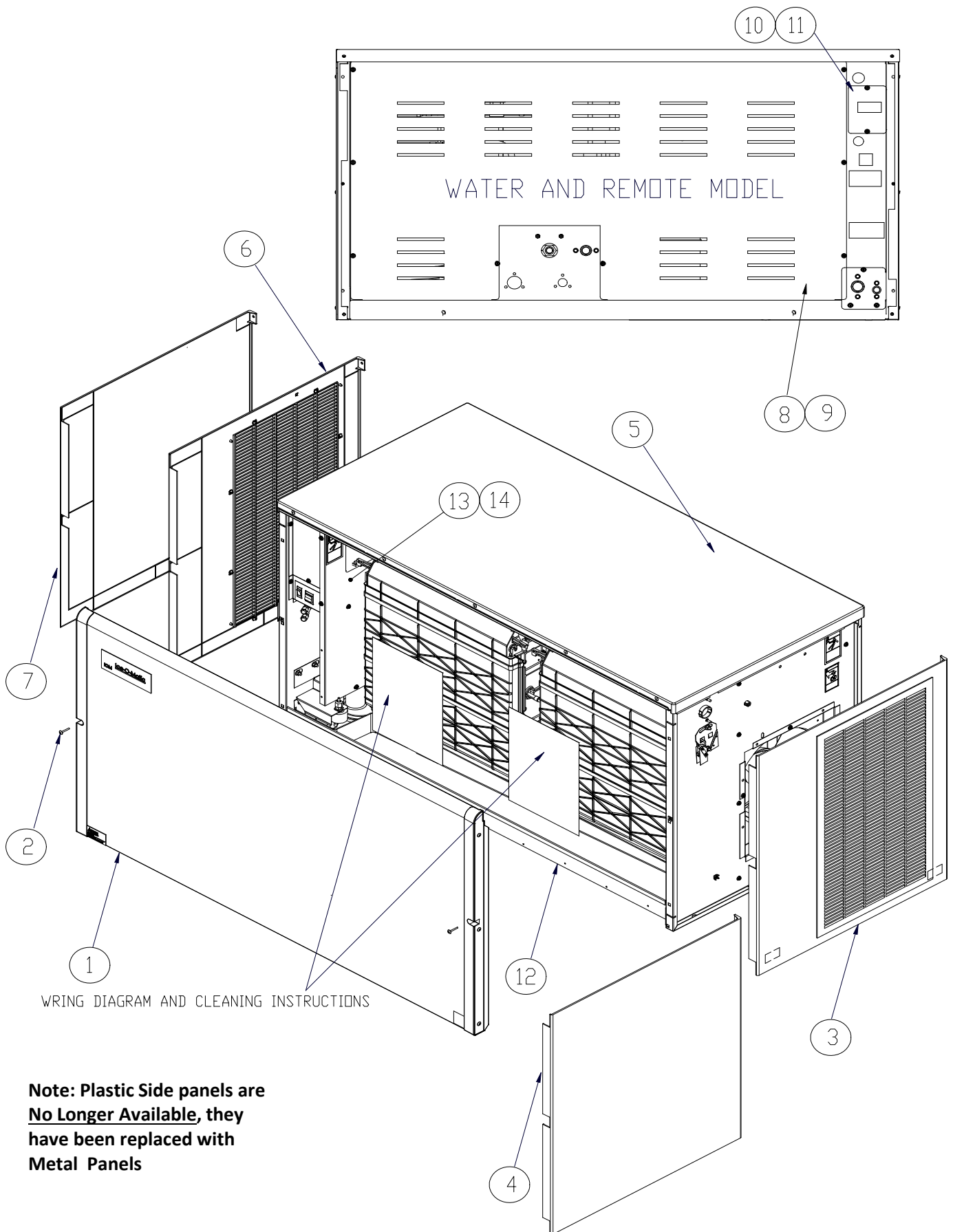
**Check the model number on the data plate and refer to the correct listing for the specific component.**

Check carefully that the correct part is identified and ordered.

<b>Table of Contents</b>	<b>Page 1</b>
<b>Exterior Panels</b>	<b>Page 2</b>
<b>Air Cooled</b>	<b>Page 4</b>
<b>Water Cooled</b>	<b>Page 6</b>
<b>Remote</b>	<b>Page 8</b>
<b>Control Box and Compressor Components</b>	<b>Page 10</b>
<b>Harvest Assist</b>	<b>Page 12</b>
<b>Water Pump/Float</b>	<b>Page 14</b>
<b>VRC Condenser</b>	<b>Page 16</b>

**Ice-O-Matic**  
**11100 East 45th Ave.**  
**Denver Co. 80239**

The ICE1406A6 is a new model, reference the specific model number to insure that the correct components are ordered.



Item No.	Model Number					Description
	ICE1406A	ICE1406	ICE1405	ICE1407	ICE1406R7	
1	2031511-03S	2031511-03S	2031511-03S	2031511-03S	2031511-03S	Front Panel
	9051562-03	9051562-03	9051562-03	9051562-03	9051562-03	Front Panel End Cap, Right Hand
	9051562-04	9051562-04	9051562-04	9051562-04	9051562-04	Front Panel End Cap, Left Hand
2	9031098-04	9031098-04	9031098-04	9031098-04	9031098-04	Front Panel Screws
3	2101483-02S	2101483-02S	2101483-02S	2101483-02S	2101483-02S	Right Side Panel- <b>Air Cooled</b> Only (Metal)
4	NA	3021969-02	3021969-02	3021969-02	3021969-02	Right Side Panel-Water Cooled and Remote (Metal)
5	2101430-01S	2101430-01S	2101430-01S	2101430-01S	2101430-01S	Top Panel
6	2101483-04S	2101483-04S	2101483-04S	2101483-04S	2101483-04S	Left Side Panel- <b>Air Cooled</b> Only (Metal)
7	NA	3021969-02	3021969-02	3021969-02	3021969-02	Left Side Panel-Water Cooled and Remote (Metal)
8	NA	3021926-01	3021926-01	3021926-01	3021926-01	Rear Panel
9	9031046-01	9031046-01	9031046-01	9031046-01	9031046-01	Rear Cover Panel Screws
10	3013308-01	3013308-01	3013308-01	3013308-01	3013308-01	Junction Box Cover
11	9031046-01	9031046-01	9031046-01	9031046-01	9031046-01	Junction Box Cover Screws
12	3013315-01	3013315-01	3013315-01	3013315-01	3013315-01	Ice Deflector
13	3013294-01	3013294-01	3013294-01	3013294-01	3013294-01	Control Box Top Cover
14	3013293-01	3013293-01	3013293-01	3013293-01	3013293-01	Control Box Side Cover
15	N/A	N/A	3012931-02	N/A	N/A	Machine Compartment Cover

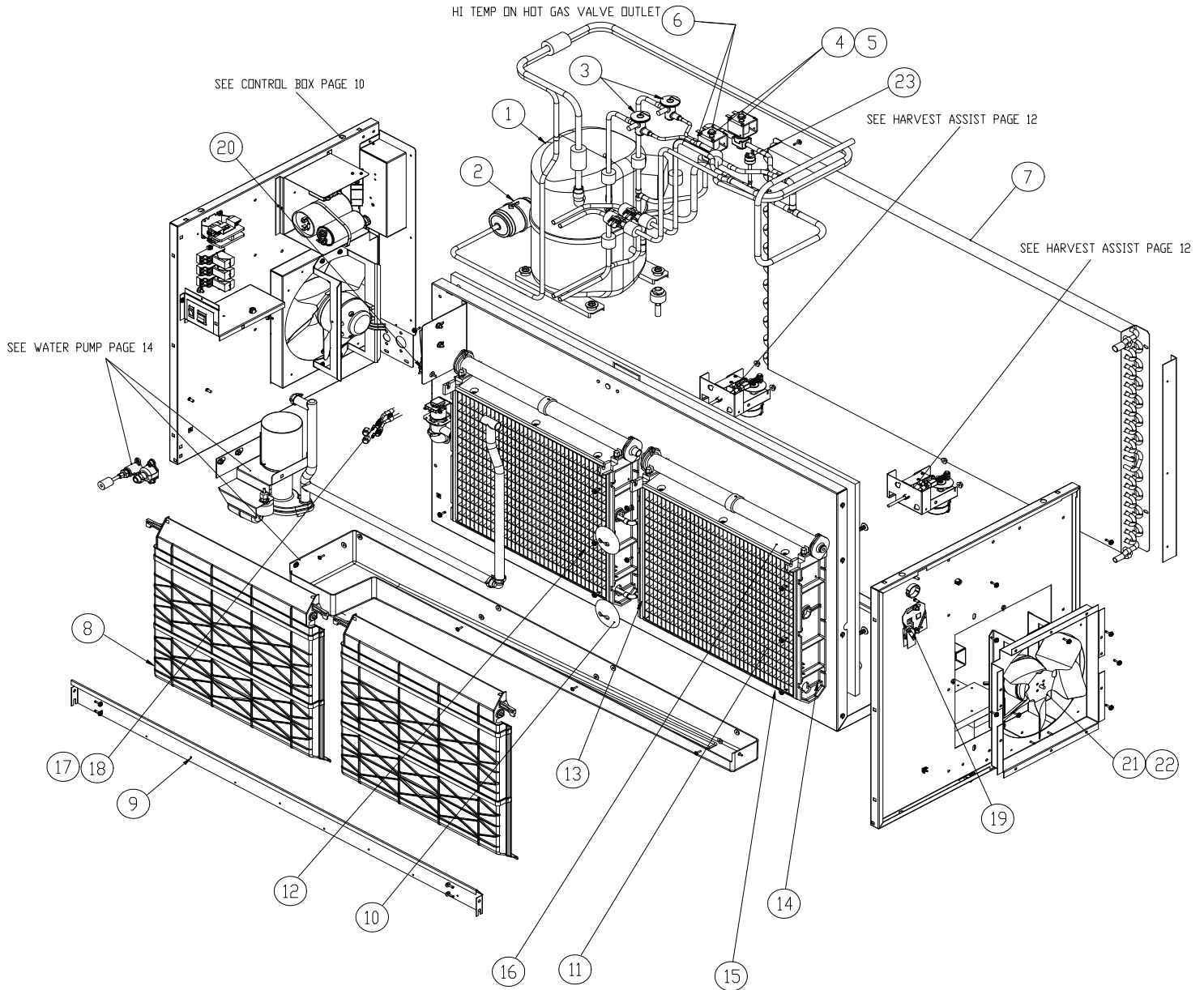
•The ICE1406A6 begins with Serial Number 1410128001427 and ends with Serial Number 15081280014733

- The ICE1406A7 is a **new model**, reference the specific model number to insure that the correct components are ordered.
- The ICE1406A7 begins with Serial Number 15081280014734 (**Compressor Relay Wire Change Terminal 5**)

The ICE1406R7 is a **new model**, reference the specific model number to insure that the correct components are ordered.

The ICE1406R7 begins with Serial Number 15121280013494

The ICE1406A6 is a new model, reference the specific model number to insure that the correct components are ordered.



●The ICE1406A6 begins with Serial Number 1410128001427 and ends with Serial Number 15081280014733

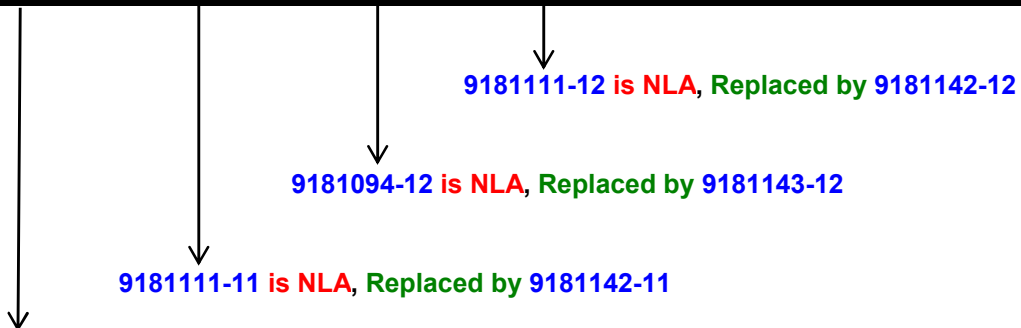
●The ICE1406A7 is a new model, reference the specific model number to insure that the correct components are ordered.

●The ICE1406A7 begins with Serial Number 15081280014734

The ICE1406R7 is a new model, reference the specific model number to insure that the correct components are ordered.

The ICE1406R7 begins with Serial Number 15121280013494

Item No.	Model Number				Description
	ICE1406A●	ICE1406A	ICE1405A	ICE1407A	
1	<a href="#">9181149-11</a>	<a href="#">9181111-11</a>	<a href="#">9181094-12</a>	<a href="#">9181111-12</a>	Compressor <b>(RED is NLA-See Notes Below)</b>
2	<a href="#">9151163-02</a>	<a href="#">9151163-02</a>	<a href="#">9151163-02</a>	<a href="#">9151163-02</a>	Filter Drier
3	<a href="#">9151150-101</a>	<a href="#">9151150-101</a>	<a href="#">9151150-101</a>	<a href="#">9151150-101</a>	Expansion Valve, (Includes Valve, Insulation & Bulb Strap)
4	<a href="#">9151123-02</a>	<a href="#">9151123-02</a>	<a href="#">9151123-02</a>	<a href="#">9151123-02</a>	Hot Gas Valve Body
5	<a href="#">9151123-04</a>	<a href="#">9151123-04</a>	<a href="#">9151123-04</a>	<a href="#">9151123-04</a>	Hot Gas Valve Coil
6	<a href="#">9041098-01</a>	<a href="#">9041098-01</a>	<a href="#">9041098-01</a>	<a href="#">9041098-01</a>	High Temperature Safety Control
7	<a href="#">9141132-01</a>	<a href="#">9141132-01</a>	<a href="#">9141132-01</a>	<a href="#">9141132-01</a>	Air Condenser
8	<a href="#">9051154-14</a>	<a href="#">9051154-14</a>	<a href="#">9051154-14</a>	<a href="#">9051154-14</a>	Evaporator Splash Curtain
9	<a href="#">3013315-01</a>	<a href="#">3013315-01</a>	<a href="#">3013315-01</a>	<a href="#">3013315-01</a>	Ice Deflector
10	<a href="#">9051237-02</a>	<a href="#">9051237-02</a>	<a href="#">9051237-02</a>	<a href="#">9051237-02</a>	Washer Tube
11	<a href="#">2051237-81</a>	<a href="#">2051237-81</a>	<a href="#">2051237-81</a>	<a href="#">2051237-81</a>	Evaporator <b>Right Side Full Cube</b>
11	<a href="#">2051237-82</a>	<a href="#">2051237-82</a>	<a href="#">2051237-82</a>	<a href="#">2051237-82</a>	Evaporator <b>Right Side Half Cube</b>
12	<a href="#">2051238-81</a>	<a href="#">2051238-81</a>	<a href="#">2051238-81</a>	<a href="#">2051238-81</a>	Evapoartor <b>Left Side Full Cube</b>
12	<a href="#">2051238-82</a>	<a href="#">2051238-82</a>	<a href="#">2051238-82</a>	<a href="#">2051238-82</a>	Evapoartor <b>Left Side Half Cube</b>
13	<a href="#">9051540-03</a>	<a href="#">9051540-03</a>	<a href="#">9051540-03</a>	<a href="#">9051540-03</a>	Evaporator Left Side Mounting Panel
14	<a href="#">9051540-04</a>	<a href="#">9051540-04</a>	<a href="#">9051540-04</a>	<a href="#">9051540-04</a>	Evaporator Right Side Mounting Panel
15	<a href="#">9051135-04</a>	<a href="#">9051135-04</a>	<a href="#">9051135-04</a>	<a href="#">9051135-04</a>	Water Return
16	<a href="#">9051135-05</a>	<a href="#">9051135-05</a>	<a href="#">9051135-05</a>	<a href="#">9051135-05</a>	Spillway
17	<a href="#">9091086-02</a>	<a href="#">9091086-02</a>	<a href="#">9091086-02</a>	<a href="#">9091086-02</a>	Valve Core
17A	<a href="#">9091086-01</a>	<a href="#">9091086-01</a>	<a href="#">9091086-01</a>	<a href="#">9091086-01</a>	Valve Body
18	<a href="#">9091086-03</a>	<a href="#">9091086-03</a>	<a href="#">9091086-03</a>	<a href="#">9091086-03</a>	Valve Cap
19	<a href="#">9101124-02</a>	<a href="#">9101124-02</a>	<a href="#">9101124-02</a>	<a href="#">9101124-02</a>	Bin Switch <b>Right Side</b> (Cut Arm)
20	<a href="#">9101124-02</a>	<a href="#">9101124-02</a>	<a href="#">9101124-02</a>	<a href="#">9101124-02</a>	Bin Switch <b>Left Side</b> (Cut Arm)
21	<a href="#">9161125-01</a>				<b>Fan Motor 1406A6 and A7</b>
		<a href="#">9161125-01</a>			<b>For ICE1406A5 Fan Motor</b>
		<a href="#">9161078-03*</a>			<b>For ICE1406A4 Fan Motor</b>
			<a href="#">9161078-02**</a>		<b>Fan Motor-EM&amp;S-ESPL35EM25 No Longer Available</b>
				<a href="#">9161078-03*</a>	<b>Fan Motor-EM&amp;S-ESPL35EM25 No Longer Available</b>
22	<a href="#">9131383-01</a>	<a href="#">9131383-01</a>	<a href="#">9131383-01</a>	<a href="#">9131383-01</a>	Fan Blade
23	<a href="#">9041106-01</a>	<a href="#">9041106-01</a>	<a href="#">9041106-01</a>	<a href="#">9041106-01</a>	Fan Control <b>9041096-01 is NLA</b>



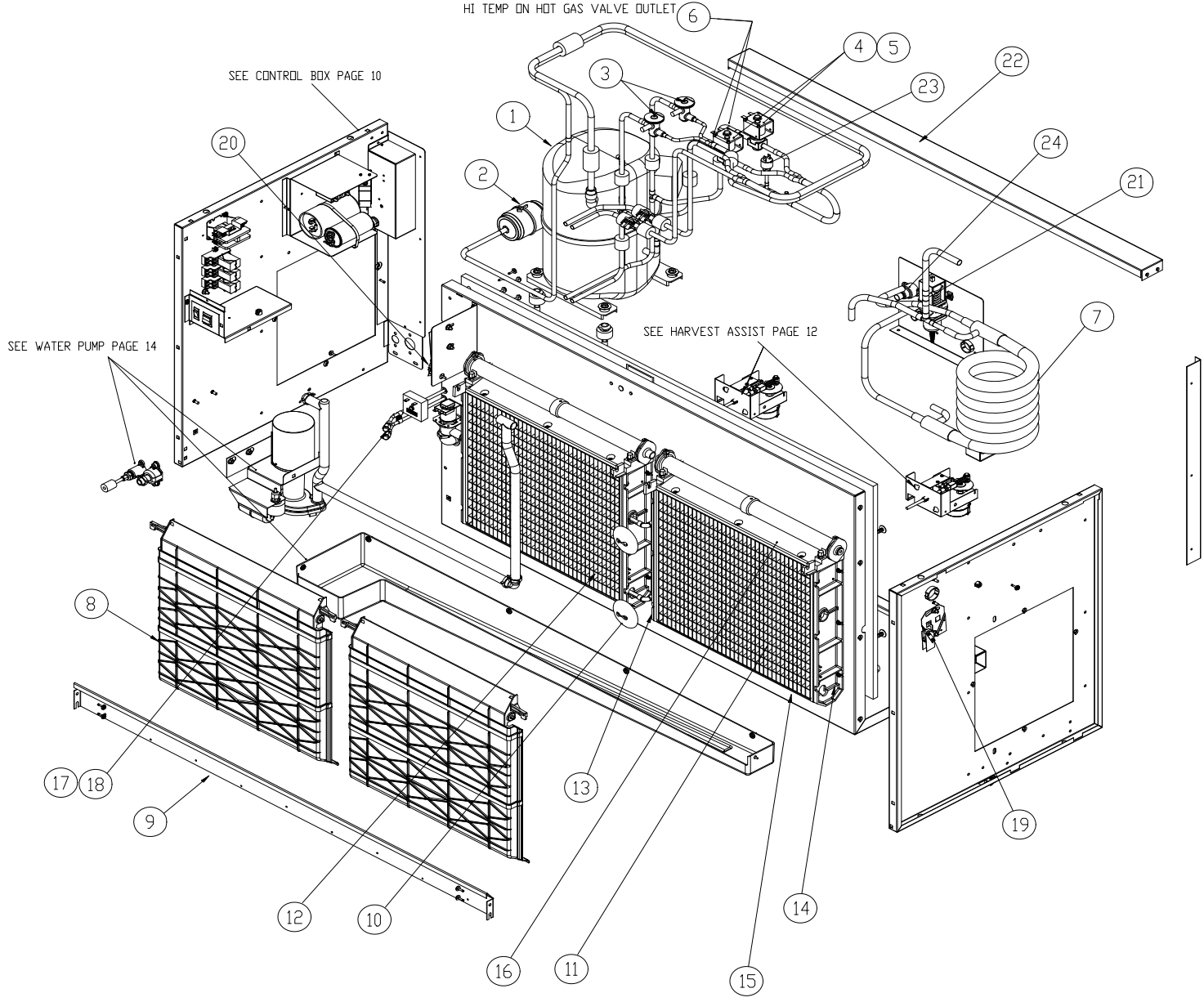
●The ICE1406A6 begins with Serial Number 14101280011427 and ends with Serial Number 15081280014733

- The ICE1406A7 is a **new model**, reference the specific model number to insure that the correct components are ordered.
- The ICE1406A7 begins with Serial Number 15081280014734 (Compressor Relay Wire Change Terminal 5)

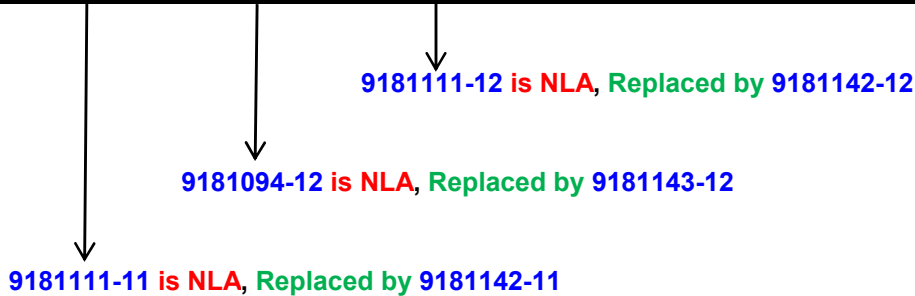
**\*Note: 9161078-03 Fan Motor is NLA, Use Kit Part Number 1051209-03  
Kit Number 1051209-03 include New Motor, Fan Blade, Bracket and Hardware**

**\*\*Note: 9161078-02 Fan Motor is NLA, Use Kit Part Number 1051209-02  
Kit Number 1051209-02 include New Motor, Fan Blade, Bracket and Hardware)**

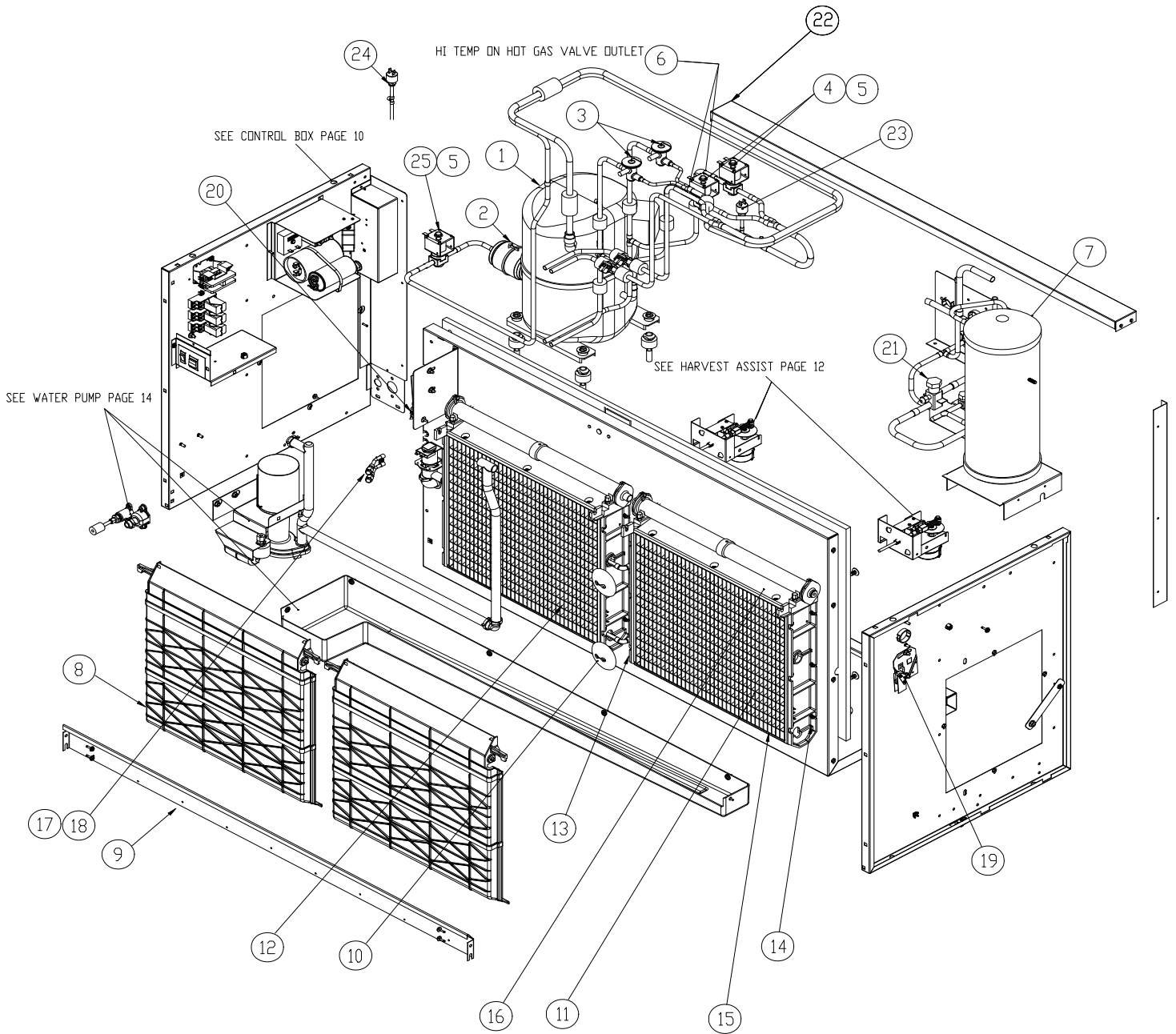
**See Page 11 for Specific Compressor Components**



Item No.	Model Number			Description
	ICE1406W	ICE1405W	ICE1407W	
1	9181111-11	9181094-12	9181111-12	Compressor <b>(RED is NLA-See Notes Below)</b>
2	9151163-02	9151163-02	9151163-02	Filter Drier
3	9151150-101	9151150-101	9151150-101	Expansion Valve, (Includes Valve, Insulation & Bulb Strap)
4	9151123-02	9151123-02	9151123-02	Hot Gas Valve Body
5	9151123-04	9151123-04	9151123-04	Hot Gas Valve Coil
6	9041098-01	9041098-01	9041098-01	High Temperature Safety Control
7	9141061-02	9141061-02	9141061-02	Water Condenser
8	9051154-14	9051154-14	9051154-14	Evaporator Splash Curtain
9	3013315-01	3013315-01	3013315-01	Ice Deflector
10	9051237-02	9051237-02	9051237-02	Washer Tube
11	2051237-81	2051237-81	2051237-81	Evaporator <b>Right Side Full Cube</b>
11	2051237-82	2051237-82	2051237-82	Evaporator <b>Right Side Half Cube</b>
12	2051238-81	2051238-81	2051238-81	Evapoartor <b>Left Side Full Cube</b>
12	2051238-82	2051238-82	2051238-82	Evapoartor <b>Left Side Half Cube</b>
13	9051540-03	9051540-03	9051540-03	Evaporator Left Side Mounting Panel
14	9051540-04	9051540-04	9051540-04	Evaporator Right Side Mounting Panel
15	9051135-04	9051135-04	9051135-04	Water return
16	9051135-05	9051135-05	9051135-05	Spillway
17	9091086-02	9091086-02	9091086-02	Valve Core
	9091086-01	9091086-01	9091086-01	Valve Body
18	9091086-03	9091086-03	9091086-03	Valve Cap
19	9101124-02	9101124-02	9101124-02	Bin Switch <b>Right Side (Cut Arm)</b>
20	9101124-02	9101124-02	9101124-02	Bin Switch <b>Left Side (Cut Arm)</b>
21	9041059-01	9041059-01	9041059-01	Water Regulating Valve
22	3013316-01	3013316-01	3013316-01	Rear Brace
23	9041091-01	9041091-01	9041091-01	High Pressure Control
24	9091063-02	9091063-02	9091063-02	Condenser Drain Fitting

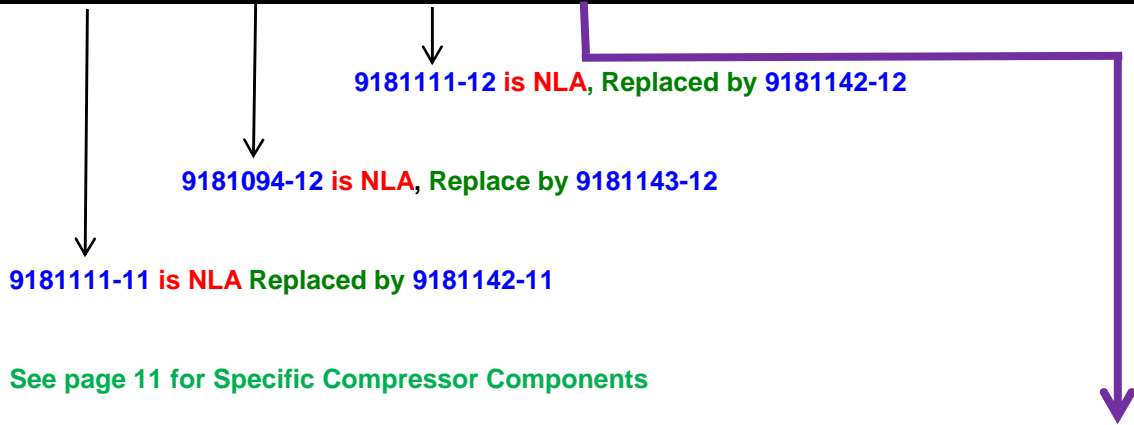


See Page 11 for Specific Compressor Components



The ICE1406R7 is a new model, reference the specific model number to insure that the correct components are ordered. The ICE1406R7 begins with Serial Number 15121280013494

Item No.	Model Number				Description
	ICE1406R	ICE1405R	ICE1407R	ICE1406R7	
1	9181111-11	9181094-12	9181111-12	9181152-11	Compressor (RED is NLA-See Notes Below)
2	9151163-02	9151163-02	9151163-02	9151163-02	Filter Drier
3	9151150-101	9151150-101	9151150-101	9151150-101	Expansion Valve, (Includes Valve, Insulation & Bulb Strap)
4	9151123-02	9151123-02	9151123-02	9151123-02	Hot Gas Valve Body
5	9151123-04	9151123-04	9151123-04	9151123-04	Hot Gas Valve Coil
6	9041098-01	9041098-01	9041098-01	9041098-01	High Temperature Safety Control
7	9151060-01	9151060-01	9151060-01	9151060-01	Receiver
8	9051154-14	9051154-14	9051154-14	9051154-14	Evaporator Splash Curtain
9	3013315-01	3013315-01	3013315-01	3013315-01	Ice Deflector
10	9051237-02	9051237-02	9051237-02	9051237-02	Washer Tube
11	2051237-81	2051237-81	2051237-81	2051237-81	Evaporator <b>Right Side Full Cube</b>
11	2051237-82	2051237-82	2051237-82	2051237-82	Evaporator <b>Right Side Half Cube</b>
12	2051238-81	2051238-81	2051238-81	2051238-81	Evapoartor <b>Left Side Full Cube</b>
12	2051238-82	2051238-82	2051238-82	2051238-82	Evapoartor <b>Left Side Half Cube</b>
13	9051540-03	9051540-03	9051540-03	9051540-03	Evaporator Left Side Mounting Panel
14	9051540-04	9051540-04	9051540-04	9051540-04	Evaporator Right Side Mounting Panel
15	9051135-04	9051135-04	9051135-04	9051135-04	Water Return
16	9051135-05	9051135-05	9051135-05	9051135-05	Spillway
17	9091086-02	9091086-02	9091086-02	9091086-02	Valve Core
18	9091086-03	9091086-03	9091086-03	9091086-03	Valve Cap
19	9101124-02	9101124-02	9101124-02	9101124-02	Bin Switch <b>Right Side (Cut Arm)</b>
20	9101124-02	9101124-02	9101124-02	9101124-02	Bin Switch <b>Left Side (Cut Arm)</b>
21	9091143-02	9091143-02	9091143-02	9091143-02	Remote Shut-Off Valve (Large)
	9091143-01	9091143-01	9091143-01	9091143-01	Remote Shut-Off Valve (Small)
22	3013316-01	3013316-01	3013316-01	3013316-01	Rear Brace
23	9041091-01	9041091-01	9041091-01	9041091-01	High Pressure Control
24	9041092-02	9041092-02	9041092-02	9041092-02	Pump Down Control
25	9151123-02	9151123-02	9151123-02	9151123-02	Liquid Line Solenoid
	9091001-12	9091001-12	9091001-12	9091001-12	1/2 Inch Coupling (Not Shown)
	9091001-11	9091001-11	9091001-11	9091001-11	3/8 Inch Coupling (Not Shown)
	9151139-01	9151139-01	9151139-01	9151139-01	Check Valve (Not Shown)

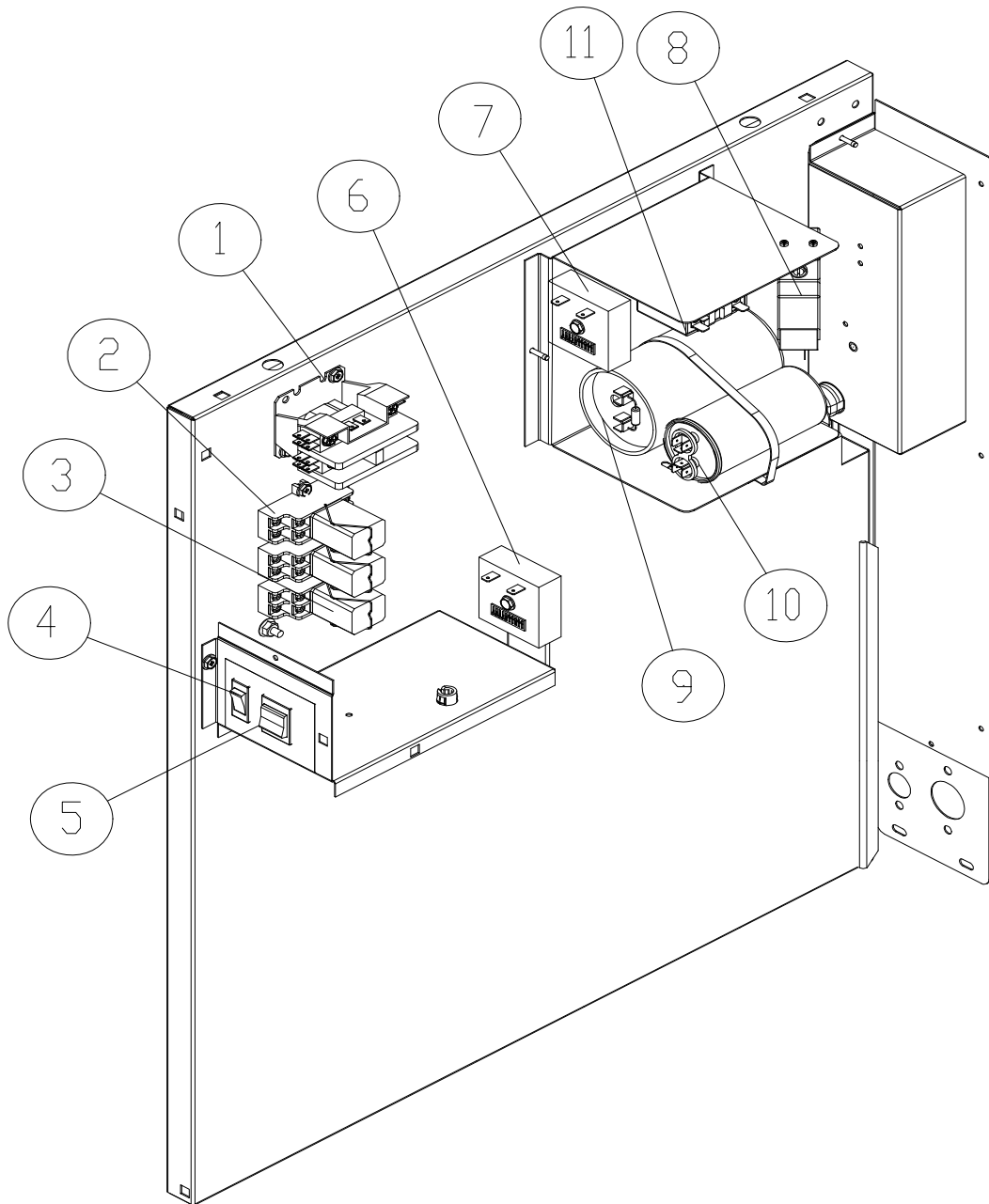


The ICE1406R7 is a new model, reference the specific model number to insure that the correct components are ordered.  
 The ICE1406R7 begins with Serial Number 15121280013494

The ICE1406A6 is a **new model**, reference the specific model number to insure that the correct components are ordered.

The ICE1406A7 is a **new model**, reference the specific model number to insure that the correct components are ordered.

The ICE1406R7 is a **new model**, reference the specific model number to insure that the correct components are ordered.



**Note: The ICE1406A6 uses 5 ea. 9101084-02 Control Relays.**

The ICE1406A6 is a **new model**, reference the specific model number to insure that the correct components are ordered.  
The ICE1406A6 begins with Serial Number 14101280011427

**Note: The ICE1406A7 uses 5 ea. 9101084-02 Control Relays.**

The ICE1406A7 is a **new model**, reference the specific model number to insure that the correct components are ordered.  
The ICE1406A7 begins with Serial Number 15081280014734

**Note: The ICE1406R7 uses 6 ea. 9101084-02 Control Relays.**

The ICE1406R7 is a **new model**, reference the specific model number to insure that the correct components are ordered.  
The ICE1406R7 begins with Serial Number 15121280013494

# ICE Series Service Parts

# Control Box

The ICE1406A6 is a **new model**, reference the specific model number to insure that the correct components are ordered.

The ICE1406R7 is a **new model**, reference the specific model number to insure that the correct components are ordered.

Item No.	ICE1406	ICE1406A●	ICE1405	ICE1407	ICE1406R7	Description
1	<a href="#">9101002-06</a>	<a href="#">9101002-06</a>	<a href="#">9101002-06</a>	<a href="#">9101079-02</a>	<a href="#">9101079-02</a>	Contactora
2	<a href="#">9101083-01</a>	<a href="#">9101083-01</a>	<a href="#">9101083-01</a>	<a href="#">9101083-01</a>	<a href="#">9101083-01</a>	Relay Base
3	<a href="#">9101084-02</a>	<a href="#">9101084-02</a>	<a href="#">9101084-02</a>	<a href="#">9101084-02</a>	<a href="#">9101084-02</a>	Relay
4	<a href="#">9101348-01</a>	<a href="#">9101348-01</a>	<a href="#">9101348-01</a>	<a href="#">9101348-01</a>	<a href="#">9101348-01</a>	<b>Purge Switch</b>
<b>Purge Switch 9101139 is NLA From SN1407</b>						
4	<a href="#">1051208-01</a>	NA	<a href="#">1051208-01</a>	<a href="#">1051208-01</a>	NA	<b>Purge Switch</b>
<b>Purge Switch 9101139 is NLA Prior to SN1407</b>						
5	<a href="#">9101349-01</a>	<a href="#">9101349-01</a>	<a href="#">9101349-01</a>	<a href="#">9101349-01</a>	<a href="#">9101349-01</a>	ICE-OFF-WASH Switch <b>9101195 is NLA</b>
6	<a href="#">9101148-01</a>	<a href="#">9101148-01</a>	<a href="#">9101148-01</a>	<a href="#">9101148-01</a>	<a href="#">9101148-01</a>	Timer
7	<a href="#">9101148-01</a>	NA	<a href="#">9101148-01</a>	<a href="#">9101148-01</a>	<a href="#">9101148-01</a>	Timer (6 Minute-Remote only)
8	<a href="#">9041104-101A</a>	<a href="#">9041104-101A</a>	<a href="#">9041104-101A</a>	<a href="#">9041104-101A</a>	<a href="#">9041104-101A</a>	Low Pressure Control ( <b>Replaces 9041094</b> )
9	See Below	See Below	See Below	N/A	N/A	Start Capacitor
10	See Below	See Below	See Below	N/A	N/A	Run Capacitor
11	See Below	See Below	See Below	N/A	N/A	Compressor Relay
	<a href="#">9101218-15</a>	<a href="#">9101218-15</a>	<a href="#">9101218-15</a>	<a href="#">9101218-15</a>	<a href="#">9101218-15</a>	Water Pump Cord Set ( <b>Not Shown</b> )

ICE1406	ICE1406A●	ICE1405	ICE1407	ICE1406R7	Description
<a href="#">9181111-11</a>	<a href="#">9181149-11</a>	<a href="#">9181094-12</a>	<a href="#">9181111-12</a>	<a href="#">9181152-11</a>	Compressor Kit ( <b>RED IS NLA</b> )
<a href="#">9181003-19</a>	<a href="#">9181003-19</a>	<a href="#">9181003-34</a>	N/A	<a href="#">9181003-21</a>	Start Capacitor
<a href="#">9181009-12</a>	<a href="#">9181009-20</a>	<a href="#">9181009-20</a>	N/A	<a href="#">9181009-20</a>	Run Capacitor
<a href="#">9181010-10</a>	<a href="#">9181010-28</a>	<a href="#">9181010-04</a>	N/A	<a href="#">9181010-33</a>	Relay

Reference the compressor model number to insure the correct starting components are ordered.					
	<a href="#">9181149-11</a>				R92J323ABC
<a href="#">9181111-11</a>					<b>CS18K6E-PFV-235</b>
		<a href="#">9181094-12</a>			<b>CS20K6E-PFZ-235</b>
			<a href="#">9181111-12</a>		<b>CS18K6E-TF5-235</b>
				<a href="#">9181152-11</a>	R92J343ABC

The following compressors are no longer available and have been replaced with the compressor kits below.					
<a href="#">9181111-11</a>					<a href="#">9181142-11</a> <b>CS18K6E-PFV-255</b>
		<a href="#">9181094-12</a>			<a href="#">9181143-12</a> <b>CS20K6E-PFZ-255</b>
			<a href="#">9181111-12</a>		<a href="#">9181142-12</a> <b>CS18K6E-TF5-255</b>

Reference the compressor model number to insure the correct starting components are ordered.					
ICE1406	ICE1406A●	ICE1405	ICE1407	ICE1406R7	Description
<a href="#">9181142-11</a>	<a href="#">9181149-11</a>	<a href="#">9181143-12</a>	<a href="#">9181142-12</a>	<a href="#">9181152-11</a>	Compressor Kit
<a href="#">9181003-19</a>	<a href="#">9181003-19</a>	<a href="#">9181003-34</a>	N/A	<a href="#">9181003-21</a>	Start Capacitor
<a href="#">9181009-12</a>	<a href="#">9181009-20</a>	<a href="#">9181009-20</a>	N/A	<a href="#">9181009-20</a>	Run Capacitor
<a href="#">9181010-10</a>	<a href="#">9181010-28</a>	<a href="#">9181010-04</a>	N/A	<a href="#">9181010-33</a>	Relay

- The ICE1406A6 begins with Serial Number 14101280011427 and ends with Serial Number 15081280014733
- The ICE1406A7 is a **new model**, reference the specific model number to insure that the correct components are ordered.
- The ICE1406A7 begins with Serial Number 15081280014734 (**Compressor Relay Wire Change Terminal 5**)

The ICE1406R7 is a **new model**, reference the specific model number to insure that the correct components are ordered.  
 The ICE1406R7 begins with Serial Number 15121280013494

The ICE1406A6 is a **new model**, reference the specific model number to insure that the correct components are ordered.

The ICE1406R7 is a **new model**, reference the specific model number to insure that the correct components are ordered.



### 1051210-XXA      Reference Page 13 for Specific Model Number and Part Number

- The **1051210-XXA** assembly will fit all ICE Models from October 1999 and EC Models.
- Units installed with a double cam switch, either Field installed or Factory installed will require the complete assembly and a potential wiring change as per the New Wiring Diagram included with the assembly.
- Individual component parts are not available for the **1051210-XXA** assembly.
- Individual component parts are No Longer Available for previous version of the Harvest Assist Assembly
- Parts for the **2061962-XX** Harvest Assist Assembly are not compatible with **1051210-XXA** Harvest Assist Assembly.
- Proper assembly and alignment of the parts is critical to proper operation, this includes cam and probe alignment.
- If a **1051210-XXA** assembly fails, it must be returned to Ice-O-Matic.

**Note:** The ICE1406R7 uses the 2062327-01 6W Harvest Assist Assembly.  
This assembly is **EXCLUSIVE** to the ICE1406R7 and is not recommended for any other units.

# ICE Series Service Parts

# Harvest Assist

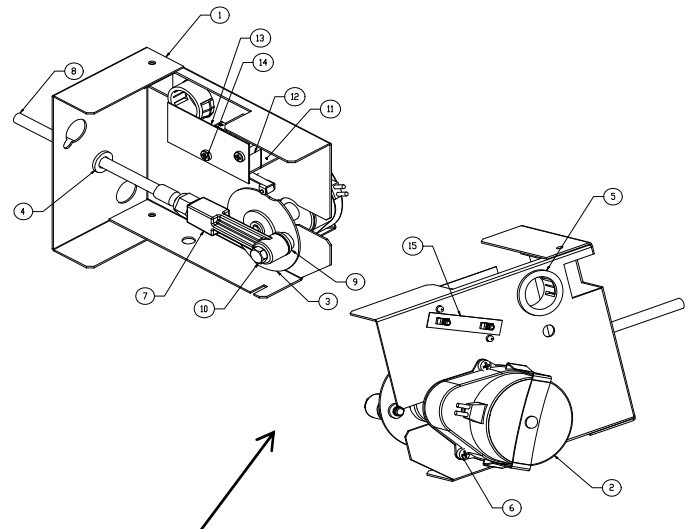
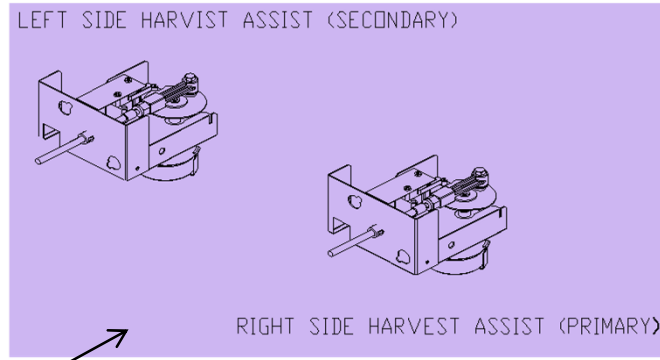
The **ICE1406A6** is a **new model**, reference the specific model number to insure that the correct components are ordered.

The **ICE1406R7** is a **new model**, reference the specific model number to insure that the correct components are ordered.

Model Number					Description
ICE1406	ICE1406A6	ICE1405	ICE1407	ICE1406R7	
	<b>1051210-02</b>			<b>2062327-01</b>	<b>Complete Assembly-160 Degree Cam-Left and Right Side</b>
	2061962-02S				No Longer Available
<b>1051210-02</b>		<b>1051210-02</b>	<b>1051210-02</b>		<b>Complete Assembly-Right Side</b>
2061962-02S		2061962-02S	2061962-02S		No Longer Available
<b>1051210-02</b>		<b>1051210-02</b>	<b>1051210-02</b>		<b>Complete Assembly-Right Side Remote Only</b>
2061962-10S		2061962-10S	2061962-10S		No Longer Available-Secondary- <b>Right Side Remote Only</b>
<b>1051210-03</b>		<b>1051210-03</b>	<b>1051210-03</b>		<b>Complete Assembly-Secondary-Left Side</b>
2061962-03S		2061962-03S	2061962-03S		No Longer Available-Secondary-Left Side

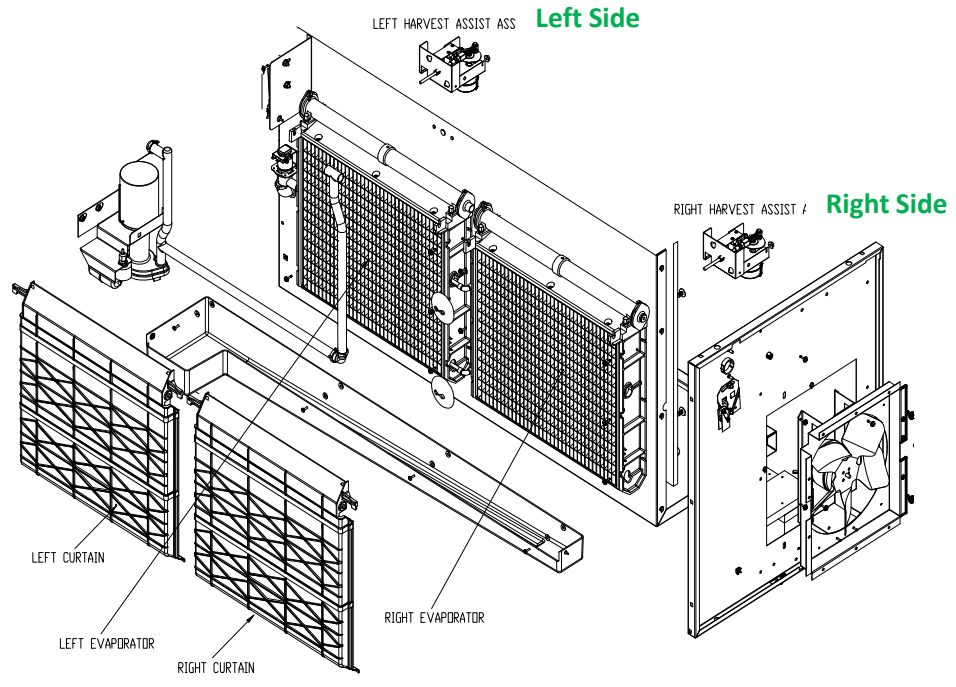
The **ICE1406A6** is a **new model**, reference the specific model number to insure that the correct components are ordered.

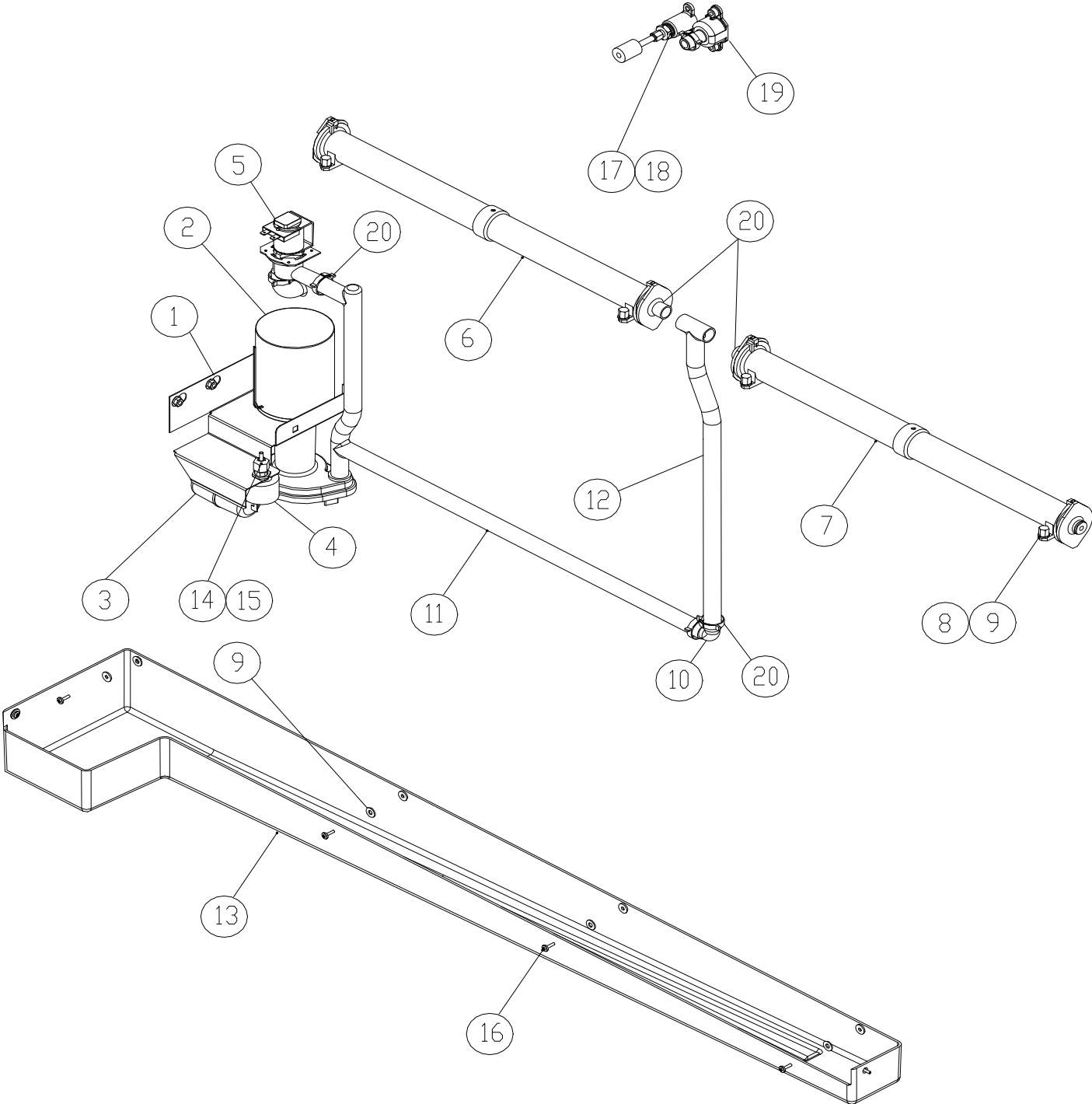
The **ICE1406A6** begins with **Serial Number 14101280011427**



Note: The **ICE1406A6** and the **ICE1406R7** uses the **160 degree Cam** on the Left Side and Right Side, Reference the Parts Listing on above.

<b>2061962-02S</b>	No Longer Available
<b>2061962-03S</b>	No Longer Available
<b>2061962-10S</b>	No Longer Available





## ICE Series Service Parts

## Water Pump/Float

The **ICE1406A6** is a **new model**, reference the specific model number to insure that the correct components are ordered.

The **ICE1406R7** is a **new model**, reference the specific model number to insure that the correct components are ordered.

Item No.	Model Number					Description
	ICE1406	ICE1406A6	ICE1405	ICE1407	ICE1407R7	
1	3013310-01	3013310-01	3013310-01	3013310-01	3013310-01	Water Pump Bracket
2	9161079-06	9161079-06	9161079-06	9161079-06	9161079-06	Water Pump
3	9131111-102	9131111-102	9131111-102	9131111-102	9131111-102	Float, Includes fittings.
4	9131026-02	9131026-02	9131026-02	9131026-02	9131026-02	Float Deflector
5	9041105-03	9041105-03	9041105-03	9041105-03	9041105-03	Purge Valve <b>(Replaces 9041086)</b>
6	2041338-02	2041338-02	2041338-02	2041338-02	2041338-02	Water Distribution Tube Left
7	2041338-01	2041338-01	2041338-01	2041338-01	2041338-01	Water Distribution Tube Right
8	9031122-01	9031122-01	9031122-01	9031122-01	9031122-01	Thumb Screw
9	9031004-19	9031004-19	9031004-19	9031004-19	9031004-19	Washer
10	9091052-01	9091052-01	9091052-01	9091052-01	9091052-01	Elbow
11	9051543-01	9051543-01	9051543-01	9051543-01	9051543-01	Water Pump Tube (Water Pump/Purge Valve)
12	9051546-01	9051546-01	9051546-01	9051546-01	9051546-01	Water Pump Tube (Water Distribution Tube)
13	9051544-01	9051544-01	9051544-01	9051544-01	9051544-01	Water Trough
14	3032898-26	3032898-26	3032898-26	3032898-26	3032898-26	Water Inlet Tubing (34.00 inches long)
15	9091081-01	9091081-01	9091081-01	9091081-01	9091081-01	Sleeve
	9091080-01	9091080-01	9091080-01	9091080-01	9091080-01	Barrel Fitting
16	9031046-24	9031046-24	9031046-24	9031046-24	9031046-24	Water Trough Screw
17	9091074-01	9091074-01	9091074-01	9091074-01	9091074-01	Drap Adapter
18	9091083-01	9091083-01	9091083-01	9091083-01	9091083-01	Water Inlet Fitting
	9091083-01	9091083-01	9091083-01	9091083-01	9091083-01	Water Inlet Fitting Nut
19	9091140-01	9091140-01	9091140-01	9091140-01	9091140-01	Drain Fitting
20	9021010-04	9021010-04	9021010-04	9021010-04	9021010-04	Clamp

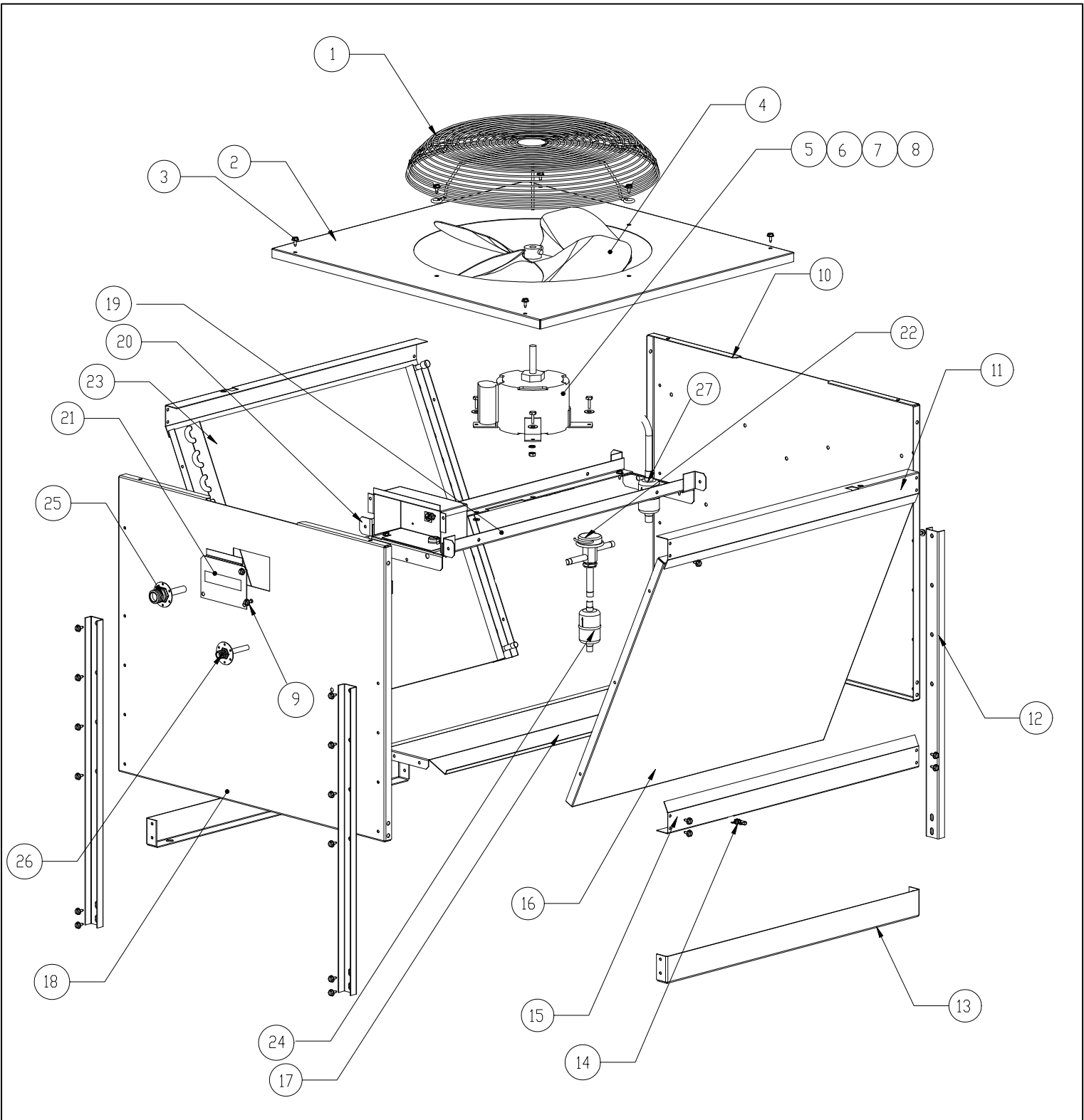
•The **ICE1406A6** begins with Serial Number **14101280011427** and ends with Serial Number **15081280014733**

•The **ICE1406A7** is a **new model**, reference the specific model number to insure that the correct components are ordered.

•The **ICE1406A7** begins with Serial Number **15081280014734 (Compressor Relay Wire Change Terminal 5)**

The **ICE1406R7** is a **new model**, reference the specific model number to insure that the correct components are ordered.

The **ICE1406R7** begins with Serial Number **15121280013494**



ICE0500R	ICE0600R	ICE0800R ICE1000R	ICE1400R4/5/6/7 ICE1506R3	ICE1800R4 ICE2100R4
----------	----------	----------------------	------------------------------	------------------------

Item	VRC1001	VRC1061	VRC2061	VRC2661	VRC5061	Description
1	9131452-01	9131452-01	9131452-01	9131452-01	9131460-01	Fan Guard
2	3013222-01	3013222-01	3013222-01	3013222-01	3013303-01	Top Panel
3	9031019-04	9031019-04	9031019-04	9031019-04	9031019-04	1/4-20 x 1/2 Screw
4	9131451-01	9131451-01	9131451-01	9131451-01	9131461-01	Fan Blade
5	9161117-02	9161117-01	9161117-01	9161117-01	9161118-01	Fan Motor
6	9031001-02	9031001-02	9031001-02	9031001-02	9031001-02	1/4-20 x 3/4 Cap Screw
7	9031003-01	9031003-01	9031003-01	9031003-01	9031003-01	Flat Washer
8	9031118-02	9031118-02	9031118-02	9031118-02	9031118-02	Flanged Lock Nut
9	9031019-04	9031019-04	9031019-04	9031019-04	9031019-04	1/4-20 x 1/2 Screw
10	3013224-01	3013224-01	3013224-01	3013224-01	3013224-01	Rear Panel
11	3013226-01	3013226-01	3013226-01	3013226-01	3013305-01	Brace
12	3013227-01	3013227-01	3013227-01	3013227-01	3013227-01	Leg
13	3013228-01	3013228-01	3013228-01	3013228-01	3013306-01	Leg Brace
14	N/A	N/A	N/A	N/A	N/A	T-Nut-Shipping Only
15	3013226-01	3013226-01	3013226-01	3013226-01	3013305-01	Brace
16	3013232-01	3013232-01	N/A	N/A	N/A	Cover Panel
17	3013225-01	3013225-01	3013225-01	3013225-01	3013304-01	Center Panel
18	3013223-01	3013223-01	3013223-01	3013223-01	3013223-01	Front Panel
19	3013234-01	3013234-01	3013234-01	3013234-01	3013307-01	Motor Brace
20	3013233-01	3013233-01	3013233-01	3013233-01	3013233-01	Motor Brace Support
21	3013229-01	3013229-01	3013229-01	3013229-01	3013229-01	Junction Box Cover
22	9151027-07	9151027-06	9151027-07	9151027-07	9151027-07	Mixing Valve
23	9141135-01	9141135-01	9141135-01	9141136-01	9141137-01	Condenser
24	9151143-01	9151143-01	9151143-01	9151143-01	9151143-01	Filter
25	9091001-12	9091001-12	9091001-12	9091001-12	9091001-12	1/2 Coupling
26	9091001-11	9091001-11	9091001-11	9091001-11	9091001-11	3/8 Coupling
27	9151143-02	9151143-02	9151143-02	9151143-02	9151143-02	Filter