



SERVICE PARTS MANUAL
The ICE Series Undercounter Cubers
MODEL-ICEU150, ICEU220, ICEU225, ICEU226
Manufactured From August 2004 Through July 2008



14-1016-A

Date 7/25/18

ICE Undercounter Service Parts

This parts list contains the service parts available for the ICE Undercounter icemakers.

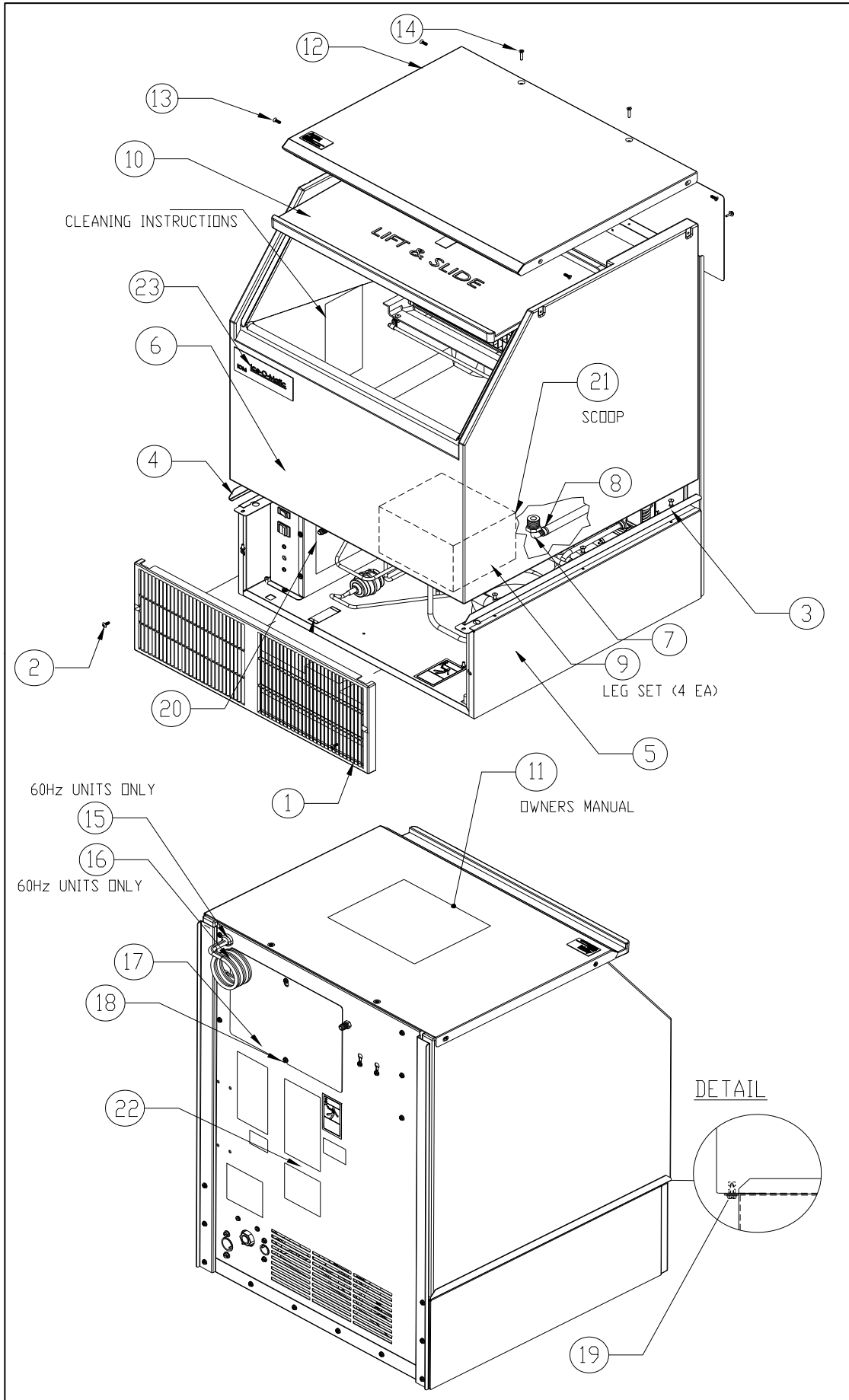
Check the model number on the data plate and refer to the correct listing for the specific component.

Check carefully that the correct part is identified and ordered.

Table of Contents	Page 1
Bin and Exterior Components	Page 2 - 3
Refrigeration System	Page 4 - 5
Harvest Assist Assembly	Page 6
Control Box	Page 7
Evaporator Page	8
Water Pump	Page 9

ICE-O-Matic
11100 East 45th Ave.
Denver Co. 80239
866-PUREICE

The ICE Series Service Manual is available seperately, Part Number 9081270-01

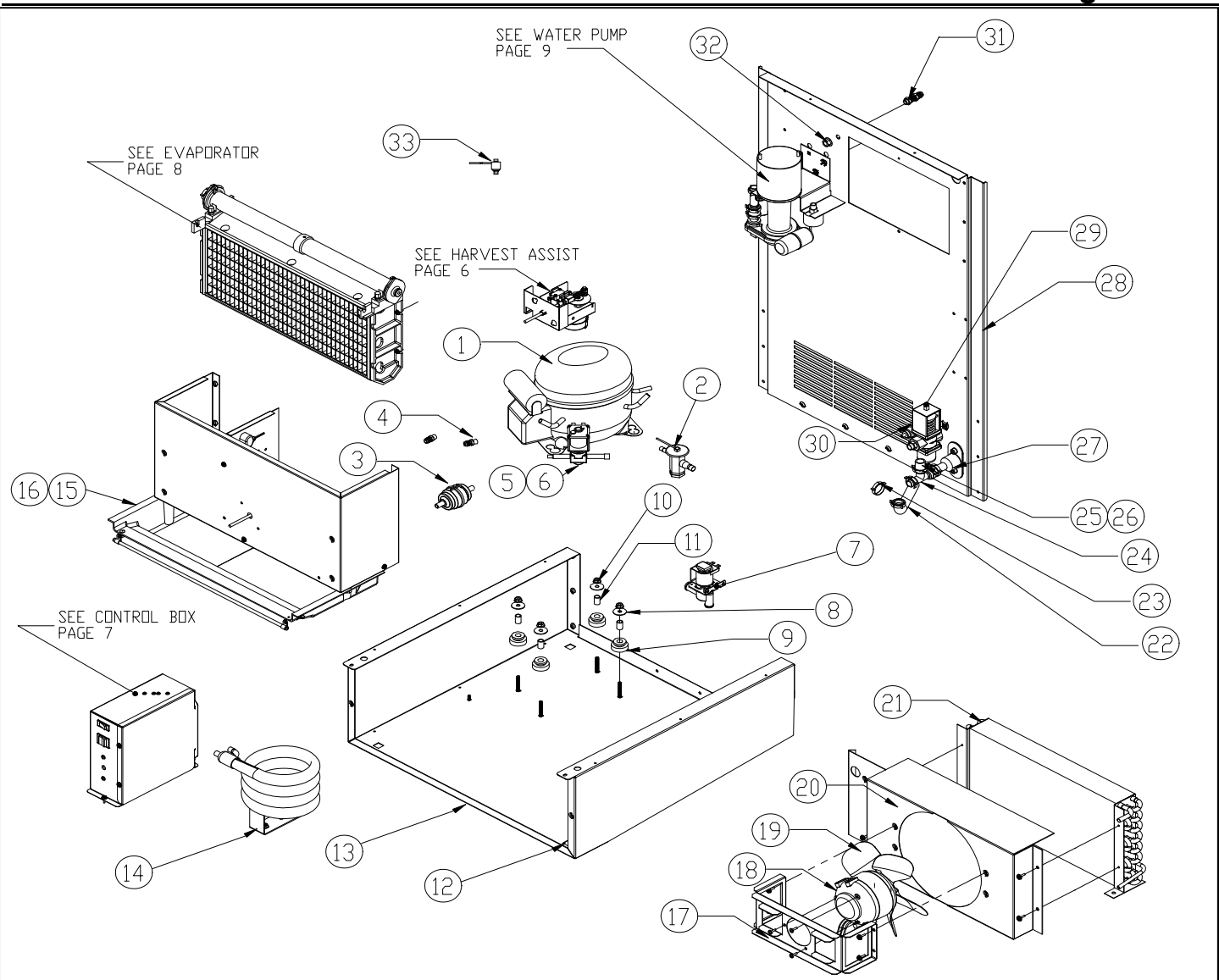


ICE Undercounter Service Parts

Bin and Exterior Components

Item	ICEU150	ICEU220	ICEU225	ICEU226	Description
1	9051515-01	9051515-01	9051515-01	9051515-01	Front Grill Panel
2	9031098-02	9031098-02	9031098-02	9031098-02	Grill Panel Screw #8 x 11/2
3	3021875-01	3021875-01	3021875-01	3021875-01	Trim Strip RH
4	3021875-02	3021875-02	3021875-02	3021875-02	Trim Strip LH
5	9021874-01	9021874-01	9021874-01	9021874-01	Side Panel S/S
6	2101275-01S	2101275-01S	2101275-01S	2101275-01S	Bin Assembly (Includes Item # 7) NLA-NR
7	9091122-01	9091122-01	9091122-01	9091122-01	Elbow, 3/4MPT x 1/2 NLA-NR
8	9021010-03	9021010-03	9021010-03	9021010-03	Plastic Hose Clamp
9	9021001-04	9021001-04	9021001-04	9021001-04	Leg Set (4 ea.) 9021095-01 is NLA
10	9051310-01	9051310-01	9051310-01	9051310-01	Bin Door, Black
11	9081264-01	9081264-01	9081264-01	9081264-01	Owners Manual
12	2101408-01	2101408-01	2101408-01	2101408-01	Top Panel-Plastic Corners
13	9031023-10	9031023-10	9031023-10	9031023-10	Top Panel Screw
14	9031019-07	9031019-07	9031019-07	9031019-07	Top Panel Screw
15	9121015-04	9121015-04	N/A	N/A	Strain Relief
16	9101242-01	9101242-01	N/A	N/A	Power Cord
17	3012149-01	3012149-01	3012149-01	3012149-01	Panel, Rear Access
18	9031046-01	9031046-01	9031046-01	9031046-01	Screw #10-16 x 1/2
19	9031112-01	9031112-01	9031112-01	9031112-01	Screw Hex Head
20	3013161-01	3013161-01	3013161-01	3013161-01	Control Box Cover
21	9051127-02	9051127-02	9051127-02	9051127-02	Ice Scoop
22	3013164-01	3013164-01	3013164-01	3013164-01	Rear Panel NLA-NR
23	9071974-01	9071974-01	9071974-01	9071974-01	Name Plate

NLA-NR=No Longer Available-No Replacement



Item	ICEU150	ICEU220	ICEU225	ICEU226	Description
1	9181115-12*	9181115-12	9181115-13	9181115-14	Compressor (*Part Number Change)
2	9151156-101**	9151156-101	9151156-101	9151156-101	Expansion Valve-Danfoss (Includes Bulb Clamp)
3	9151163-01	9151163-01	9151163-01	9151163-01	Drier 9151004-02 is NLA
4	9091086-02	9091086-02	9091086-02	9091086-02	Service Valve Core
	9091086-03	9091086-03	9091086-03	9091086-03	Service Valve Cap
5	9151123-06	9151123-06	9151123-06	9151123-06	Hot Gas Valve Body
6	9151123-03	9151123-03	9151123-04	9151123-04	Hot Gas Valve Coil
7	9041105-04	9041105-04	9041105-05	9041105-05	Purge Valve 9041086 is NLA

The ICEU150 Compressors 9181115-11 (ASB14C3E-IAA) is NLA and 9181148-11 (ASE14C4E-IAA) is NLA. Replaced by 9181115-12 (ASE24C3E-IAA)
See Page 5 for Compressor Components (Reference Compressor for Starting Components)

The Expansion Valve has been changed to a more efficient model.
Part Number 9151157-101 is NLA, Replaced by 9151156-101

Item	ICEU150	ICEU220	ICEU225	ICEU226	Description
8	9031004-02	9031004-02	9031004-02	9031004-02	Flat Washer
9	9181002-10	9181002-10	9181002-10	9181002-10	Grommet
10	9031118-02	9031118-02	9031118-02	9031118-02	Lock Nut
11	9181002-11	9181002-11	9181002-11	9181002-11	Sleeve Compressor Mounting
12	9031012-02	9031012-02	9031012-02	9031012-02	Lock Nut (Leg)
13	2021623-01	2021623-01	2021623-01	2021623-01	Base Assembly
14	9141022-01	9141022-01	9141022-01	9141022-01	Water Condenser
15	2101151-01	2101151-01	2101151-01	2101151-01	Water Trough Assembly
16	9031122-02	9031122-02	9031122-02	9031122-02	Water Trough Screws
17	3013250-01	3013250-01	3013250-01	3013250-01	Fan Bracket
18	9161028-01	9161112-01	9161112-01	9161112-01	Fan Motor
19	9131446-01	9131446-01	9131446-01	9131446-01	Fan Blade
20	3013254-01	3013254-01	3013254-01	3013254-01	Fan Shroud
21	9141126-01	9141126-01	9141126-01	9141126-01	Air Condenser
22	9051280-08	9051280-08	9051280-08	9051280-08	Purge Drain Tube
23	9021010-05	9021010-05	9021010-05	9021010-05	Hose Clamp
24	9091024-01	9091024-01	9091024-01	9091024-01	Barbed Tee
25	3051222-20	3051222-20	3051222-20	3051222-20	Tubing 9/16 x 20 Inches Long
26	9021010-04	9021010-04	9021010-04	9021010-04	Hose Clamp
27	9091140-01	9091140-01	9091140-01	9091140-01	Drain Adapter
28	3013164-01	3013164-01	3013164-01	3013164-01	Rear Panel
29	9041059-01	9041059-01	9041059-01	9041059-01	Water Regulator
30	9091063-02	9091063-02	9091063-02	9091063-02	Drop Adapter Fitting
31	9091135-01	9091135-01	9091135-01	9091135-01	Water inlet Fitting
32	9031118-05	9031118-05	9031118-05	9031118-05	Flanged Lock Nut
33	9041087-03	9041087-03	9041087-03	9041087-03	High Temperature Safety Control

ICEU150	ICEU220	ICEU225	ICEU226	Description
9181115-12	9181115-12	9181115-13	9181115-14	Compressor
9181005-38	9181005-38	9181005-40	9181005-41	Overload
9181003-43	9181003-43	9181003-29	9181003-41	Start Capacitor
9181004-24	9181004-24	9181004-20	9181004-28	Compressor Relay
9181148-11				Compressor (ASE14C4E-IAA) NLA
9181005-45				Overload
9181003-53				Start Capacitor
9181004-30				Compressor Relay
9181115-11				Compressor (ASB14CE-IAA) NLA
9181005-42				Overload
9181003-43				Start Capacitor
9181004-24				Compressor Relay
*Note: When installing a 9181115-12 Compressor, it is recommended that the 9161112-01 Fan Motor be installed.				

Reference the Model Number below for the specific Harvest Assist Assembly

Item	ICEU150	ICEU220	ICEU225	ICEU226	Description
	1051210-05B	1051210-05B	1051210-07B	1051210-07B	Harvest Assist Assembly
	2061962-05S*	2061962-05S*	2061962-07S*	2061962-07S*	No Longer Available

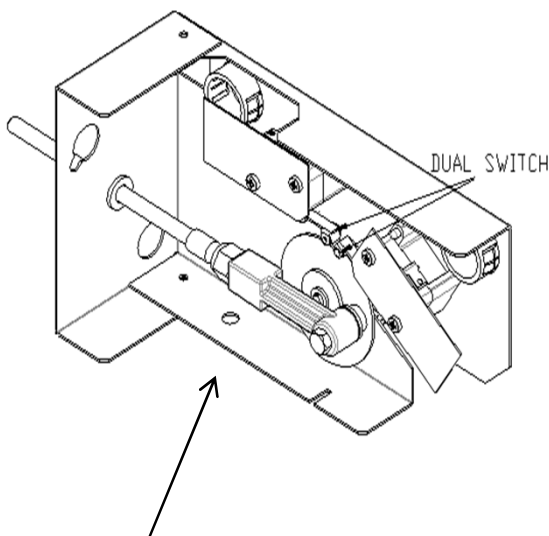


- The **1051210-XXA** assembly will fit all ICE Models from October 1999 and EC Models.
- Units installed with a double cam switch, either Field installed or Factory installed will require the complete assembly and a potential wiring change as per the New Wiring Diagram included with the assembly.
- Individual component parts are not available for the **1051210-XXA** assembly.
- Individual component parts are No Longer Available for previous version of the Harvest Assist Assembly
- Parts for the **2061962-XX** Harvest Assist Assembly are not compatible with **1051210-XXA** Harvest Assist Assembly.
- Proper assembly and alignment of the parts is critical to proper operation, this includes cam and probe alignment.

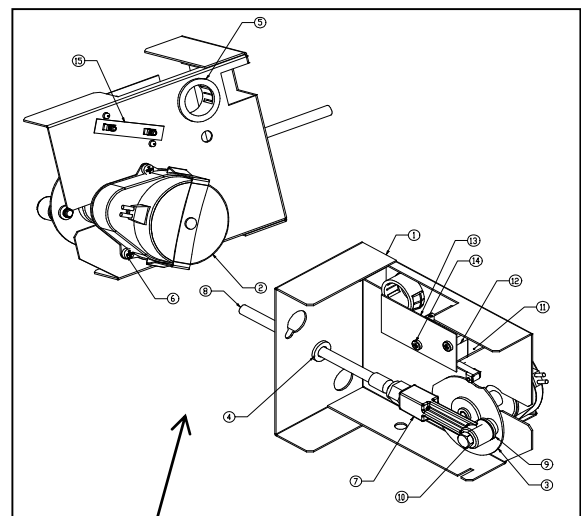
1051210-XXA are only supplied as complete assemblies, individual components are not available.

Please reference the above Model Numbers to insure the correct assembly is supplied

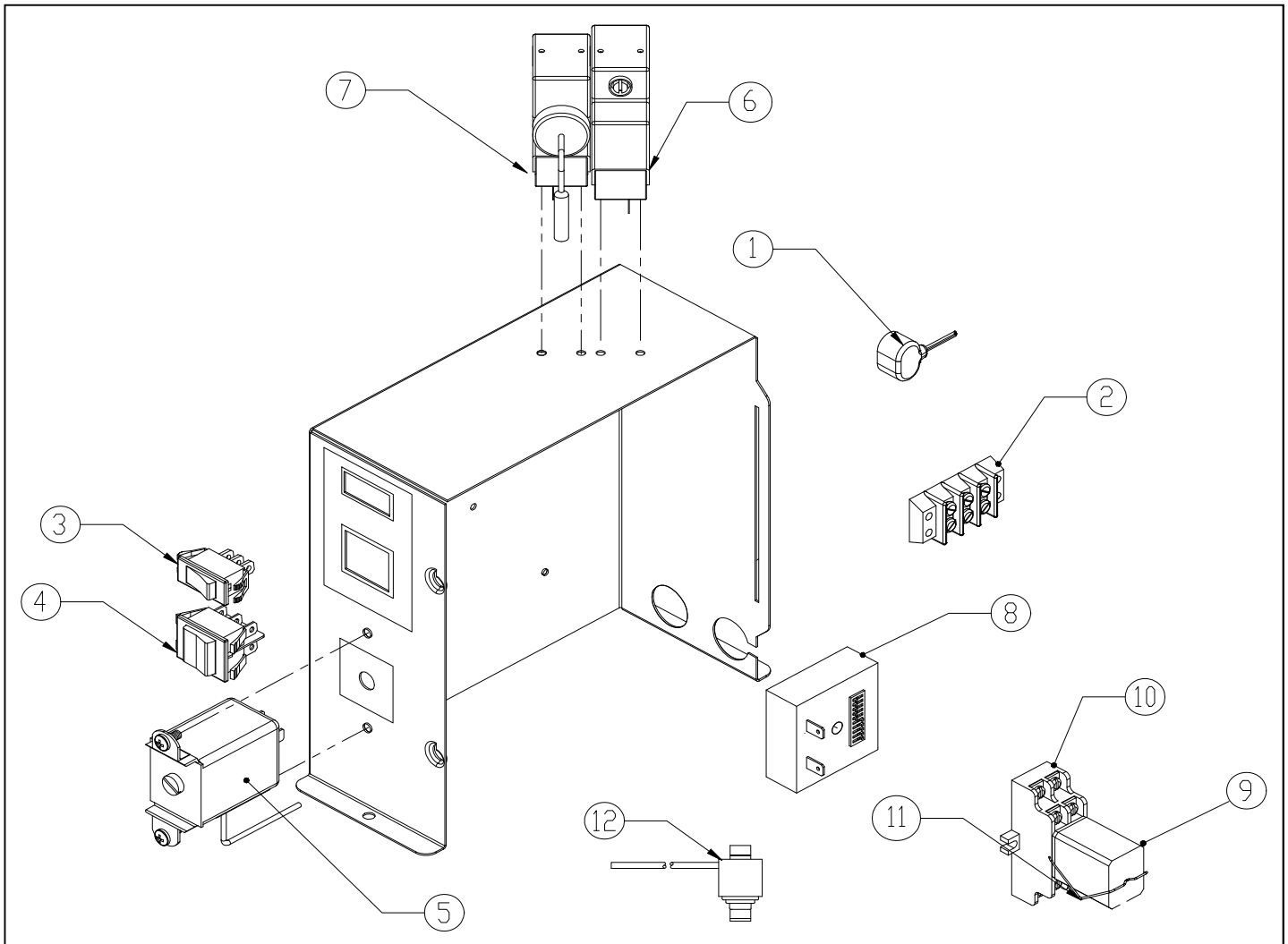
THE DUAL CAM SWITCH HARVEST ASSIST ASSEMBLIES ARE NO LONGER AVAILABLE



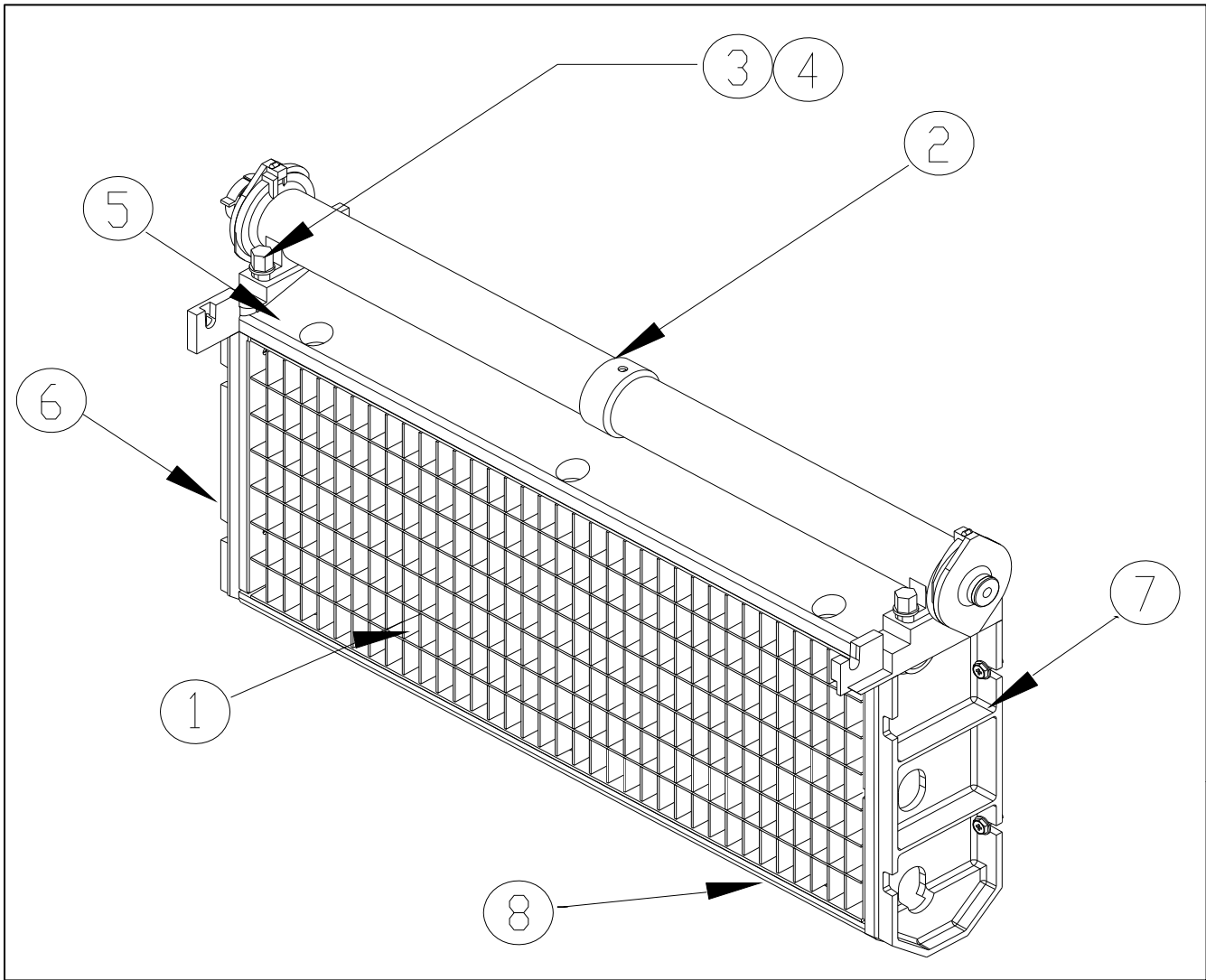
1051199-01	No Longer Available
1051200-01	No Longer Available
1051201-01	No Longer Available
1051202-01	No Longer Available
1051207-01	No Longer Available



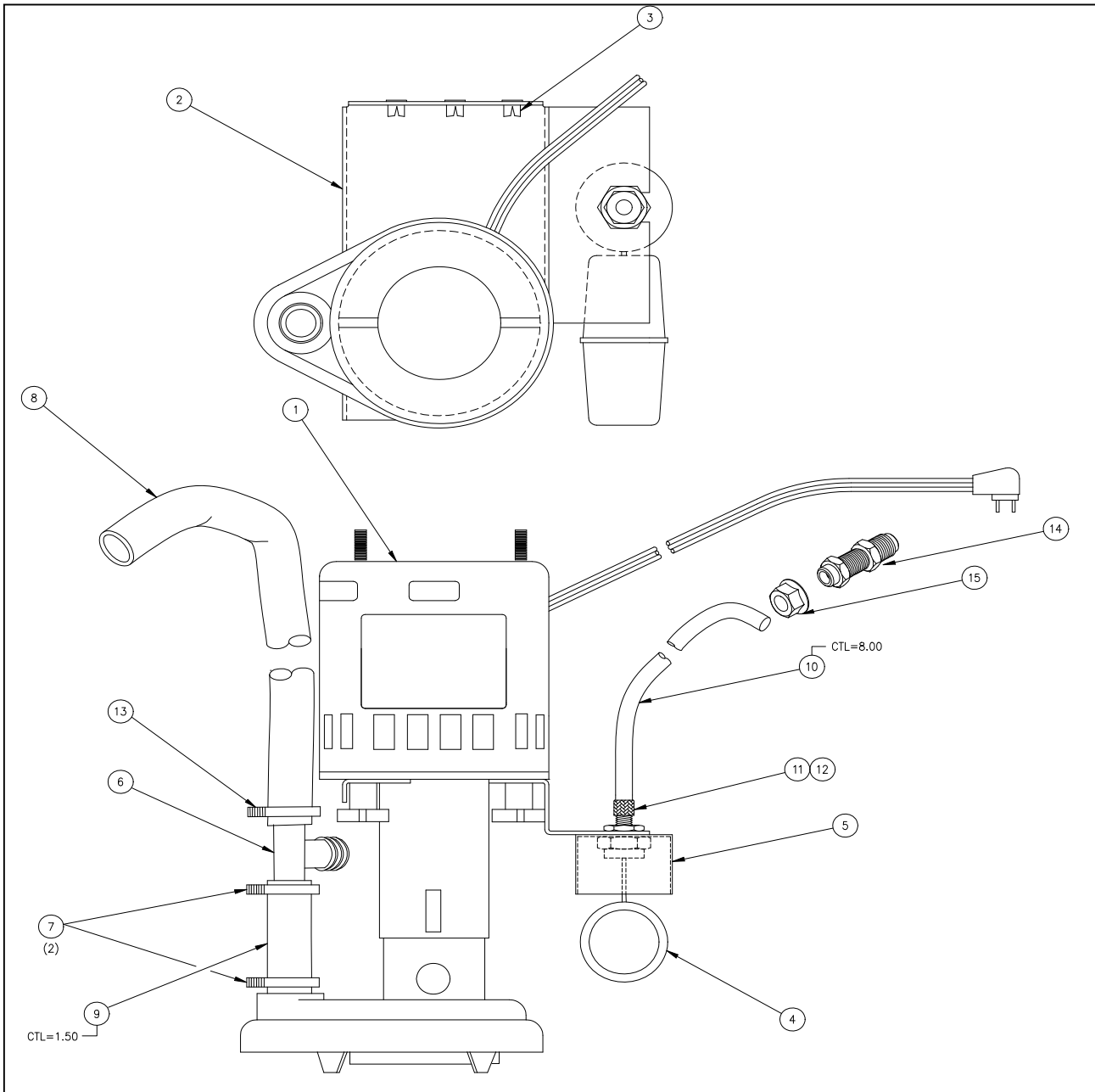
2061962-01S	No Longer Available
2061962-05S	No Longer Available
2061962-07S	No Longer Available



Item	ICEU150	ICEU220	ICEU225	ICEU226	Description
1	9101218-01	9101218-01	9101218-01	9101218-01	Water Pump Connector
2	9101037-01	9101037-01	9101037-01	9101037-01	Terminal Block
3	1051208-01	1051208-01	1051208-01	1051208-01	Switch-Purge 1051208-01 is NLA
3	9101139-03	9101139-03	9101139-03	9101139-03	Switch-Purge
4	9101349-01	9101349-01	9101349-01	9101349-01	Ice/Off/Wash Switch 9101349-01 is NLA
4	9101195-01	9101195-01	9101195-01	9101195-01	Ice/Off/Wash Switch
5	9041097-01	9041097-01	9041097-01	9041097-01	Thermostat-Bin Control
6	9041104-101A	9041104-101A	9041104-101A	9041104-101A	Low Pressure Control 9041094-01 is NLA
7	9041095-01	9041095-01	9041095-01	9041095-01	High Pressure Control
8	9101148-01	9101148-01	9101148-01	9101148-01	Timing Module
9	9101084-01	9101084-01	9101084-02	9101084-02	Relay
10	9101083-01	9101083-01	9101083-01	9101083-01	Socket-Relay
11	9101083-02	9101083-02	9101083-02	9101083-02	Hold Down Spring - Relay
12	9041087-03	9041087-03	9041087-03	9041087-03	High Temperature Safety Control



Item	Description	ICEU150	ICEU220	ICEU225	ICEU226
1	Evaporator-Half Cube (Shown)	2051231-02S	2051231-02S	2051231-02S	2051231-02S
1	Evaporator-Full Cube	2051231-01S	2051231-01S	2051231-01S	2051231-01S
2	Water Distribution Tube	2041338-01	2041338-01	2041338-01	2041338-01
3	Thumbscrew	9031122-01	9031122-01	9031122-01	9031122-01
4	Rubber Washer	9031004-19	9031004-19	9031004-19	9031004-19
5	Spillway	9051135-05	9051135-05	9051135-05	9051135-05
6	Left Side Evaporator Mounting Panel	9051136-07	9051136-07	9051136-07	9051136-07
7	Right Side Evaporator Mounting Panel	9051136-08	9051136-08	9051136-08	9051136-08
8	Water Return	9051135-04	9051135-04	9051135-04	9051135-04



Item	ICEU150	ICEU220	ICEU225	ICEU226	Description
1	9161076-01	9161076-01	9161076-02	9161076-02	Water Pump
2	3012847-01	3012847-01	3012847-01	3012847-01	Pump Bracket
3	9031141-01	9031141-01	9031141-01	9031141-01	Plastic Nut
4	9131111-101	9131111-101	9131111-101	9131111-101	Float
5	9131026-02	9131026-02	9131026-02	9131026-02	Cap Plug
6	9091024-01	9091024-01	9091024-01	9091024-01	Plastic Barbed Tee 5/8
7	9021010-04	9021010-04	9021010-04	9021010-04	Plastic Clamp
8	9051280-05	9051280-05	9051280-05	9051280-05	Hose PVC 9/16 (Formed)
9	6021015-04	6021015-04	6021015-04	6021015-04	Hose PVC 5/8 - 1.50 Inch Required
10	6021032-01	6021032-01	6021032-01	6021032-01	Tube-Polyethylene - 8 Inches Required
11	9091080-01	9091080-01	9091080-01	9091080-01	Barrel Fitting
12	9091081-01	9091081-01	9091081-01	9091081-01	Sleeve
13	9021010-03	9021010-03	9021010-03	9021010-03	Plastic Clamp
14	9091135-01	9091135-01	9091135-01	9091135-01	Water Inlet Fitting
15	9031118-05	9031118-05	9031118-05	9031118-05	Lock Nut