

Ice-O-Matic®

Ice. Pure and Simple™

SERVICE PARTS MANUAL ICE ONLY DISPENSERS MODELS-IOD150, IOD200 AND IOD250



14-1010

Date 6/13/16

IOD150, IOD200, IOD250 Dispenser

This parts list contains the service parts available for the IOD150-200-250 dispensers

Check the model number on the data plate and refer to the correct listing for the specific component.

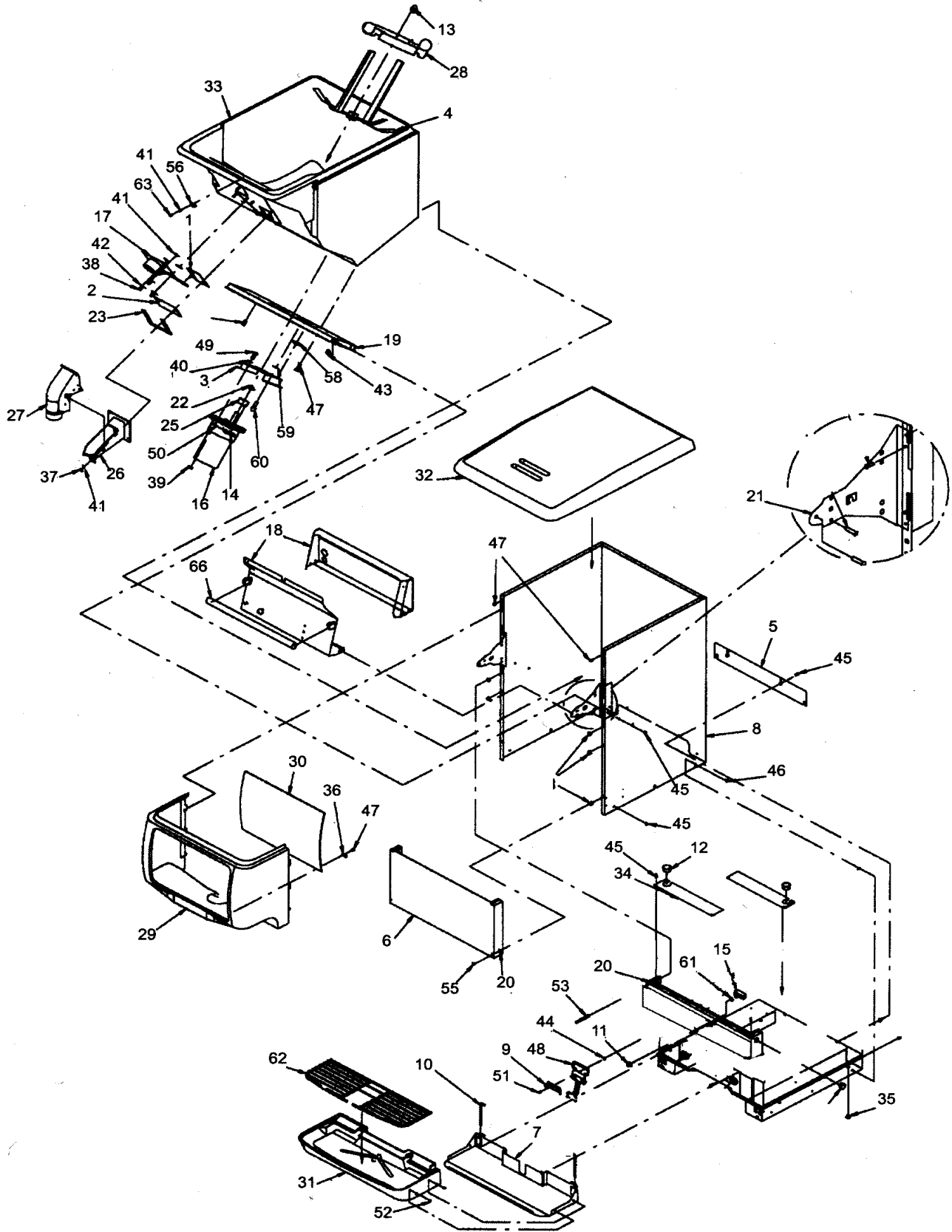
Check carefully that the correct part is identified and ordered.

Note: Part Numbers in BOLD are not stocked items

Table of Contents	Page 1
Cabinet and Dispenser Part Numbers, IOD150	Page 2 - 3
Cabinet and Dispenser Part Numbers, IOD200 and IOD250	Page 4 - 5
Rotary Solenoid	Page 6
Electrical Box, IOD150	Page 7
Electrical Box, IOD200 and IOD250	Page 8
Wiring Diagram	Page 9

Ice-O-Matic
11100 East 45th Ave.
Denver Co. 80239

IOD150, IOD200 and IOD250 Service Parts IOD 150 Cabinet and Dispenser

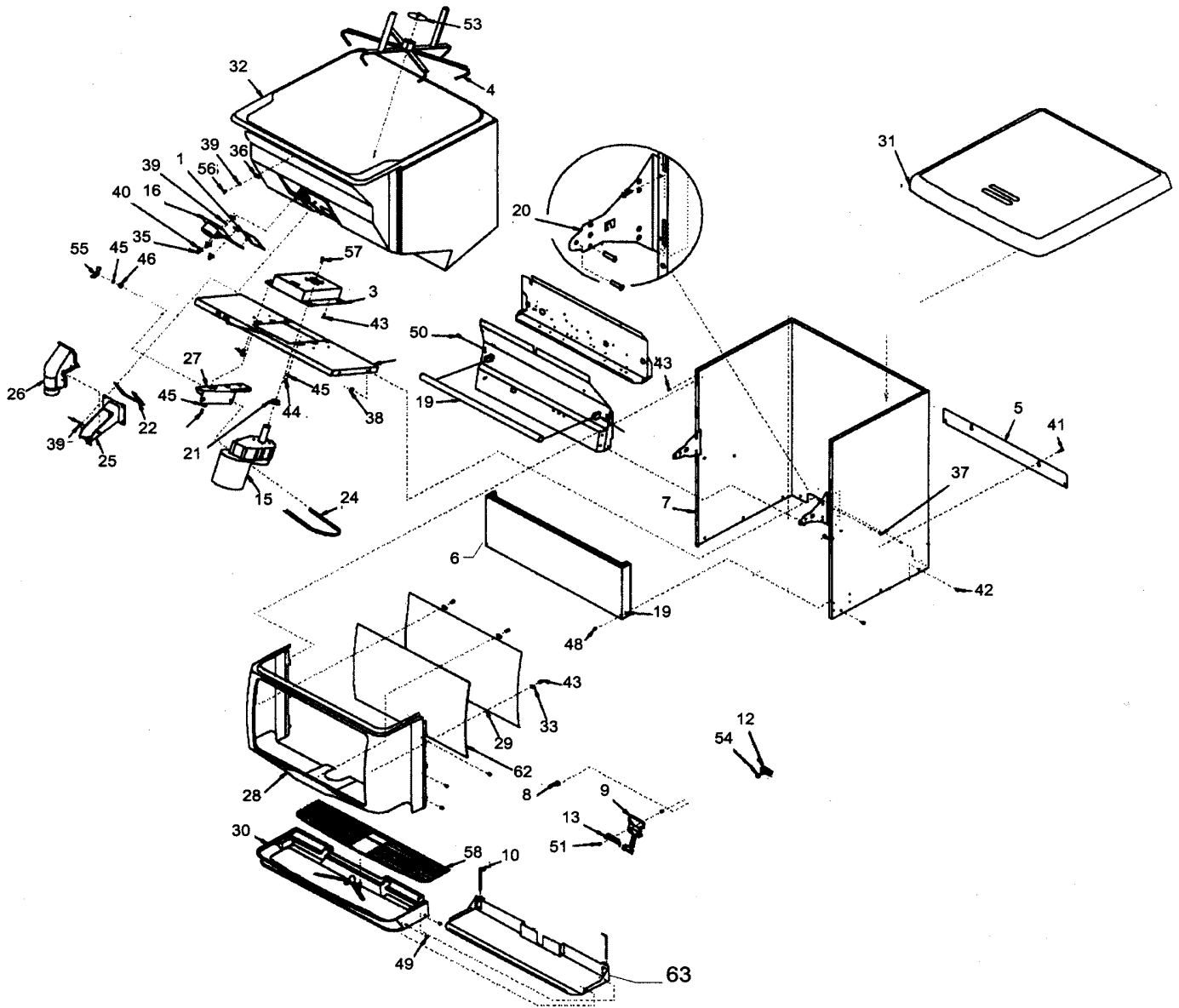


IOD150, IOD200 and IOD250 Service Parts IOD 150 Cabinet and Dispenser

Item			Item		
No.	Part No.	Description	No.	Part No.	Description
1	1011342-12	Gate Slide	34	1011342-07	Baffle
2	1011342-144	Gate Restrictor	35	1011342-62	Plug
3	1011342-145	Plate, Motor Mounting	36	1011342-63	Clip, White
4	1011342-06	Agitator Assy	37	1011342-76	Hex Nut, No. 10-32
5	1011342-18	Cover, Rear Wrapper	38	1011342-77	Hex Nut, No. 10-32, Nyloc
6	1011342-141	Lower Panel (F/Drip Tray)	39	1011342-78	Hex Nut, 1/4-20
7	1011342-05	Extension Assy, Drip Tray	40	1011342-79	Washer, .255 I.D.
8	1011342-17	Wrapper (ED 150)	41	1011342-81	Washer, No. 10, .219 I.D.
9	1011342-13	Retainer, Lever, Ice Dispense	42	1011342-83	Washer, .218 I.D.
10	1011342-02	Pin, Drip Tray Mounting	43	1011342-85	Hex Nut, No. 8-32
11	1011342-29	Boot, Switch	44	1011342-86	Insert, Threaded, No. 8-32
12	1011342-49	Snap Bushing	45	1011342-89	Machine Screw, Phil
13	1011342-03	Retainer, Agitator	46	1011342-90	Machine Screw, Phil
14	1011342-25	Agitator Motor Heater, 120 V	47	9031113-01	Sheet Metal Screw, Phil
15	1011342-26	Dispense Switch	48	1011342-08	Lever, Cup Dispense
16	1011342-133	Agitator Motor, 120 Volt	49	1011342-93	Machine Screw, Phil Rd Hd,
17	1011342-38	Solenoid Assembly, 120 Volt	50	1011342-94	Spring, Motor Heater
18	1011342-128	Electrical Box Ass'y, 120 V	51	1011342-140	Thread Forming Screw, Phil
19	1011342-16	Bracket, Motor Mounting	52	1011342-149	Clip, Push On
20	1011342-103	Washer, Captivating No. 8	53	1011342-95	Machine Screw, Phil
21	1011342-115	Hinge, Gusset	54	1011342-96	Hose Clamp, Worm
22	1011342-53	Seal, Agitator Motor Shaft	*55	1011342-154	Machine Screw, Phil
23	1011342-01	Gasket, Gate	56	1011342-63	Clip, Black
*24	1011342-55	Plug (120 Volt Models Only)	*57	1011342-104	Leg
25	1011342-57	Gasket, Motor Shaft	58	1011342-98	Receptacle, 1/4 Turn
26	1011342-139	Ice Chute	59	1011342-99	Retainer, 1/4 Turn
27	1011342-69	Cover, Ice Chute	60	1011342-155	Stud Wing Head, 1/4 Turn
28	1011342-73	Agitator Disk	61	1011342-97	Spacer, Switch
29	1011342-11	Merchandiser, S.S. (IOD 150)	62	1011342-150	Cup Rest
29	1011342-64	Merchandiser, Black (IOD 150)	63	1011342-111	Shoulder Screw, No. 8-32
30	1011342-58	Panel, Plexiglass, Inner	*64	1011342-51	Adapter, 1" Barb x 3/4 MPT
31	1011342-72	Drip Tray, Black, Insulated	*65	1011342-50	Adapter, 3/4 Soc x 3/4 FPT
32	1011342-68	Lid, Dispenser, Black	66	1011342-35	Bulb, 18" daylight
33	1011342-56	Hopper Assy., Foamed	67	1011342-153	Graphic IOD150 (Not Shown)
			*	1011342-101	Water Filler Handle
			*		Not shown

Note: Part Numbers in BOLD are not stocked items

IOD150, IOD200 and IOD250 Service Parts Cabinet and Dispenser Parts, IOD200 and IOD 250

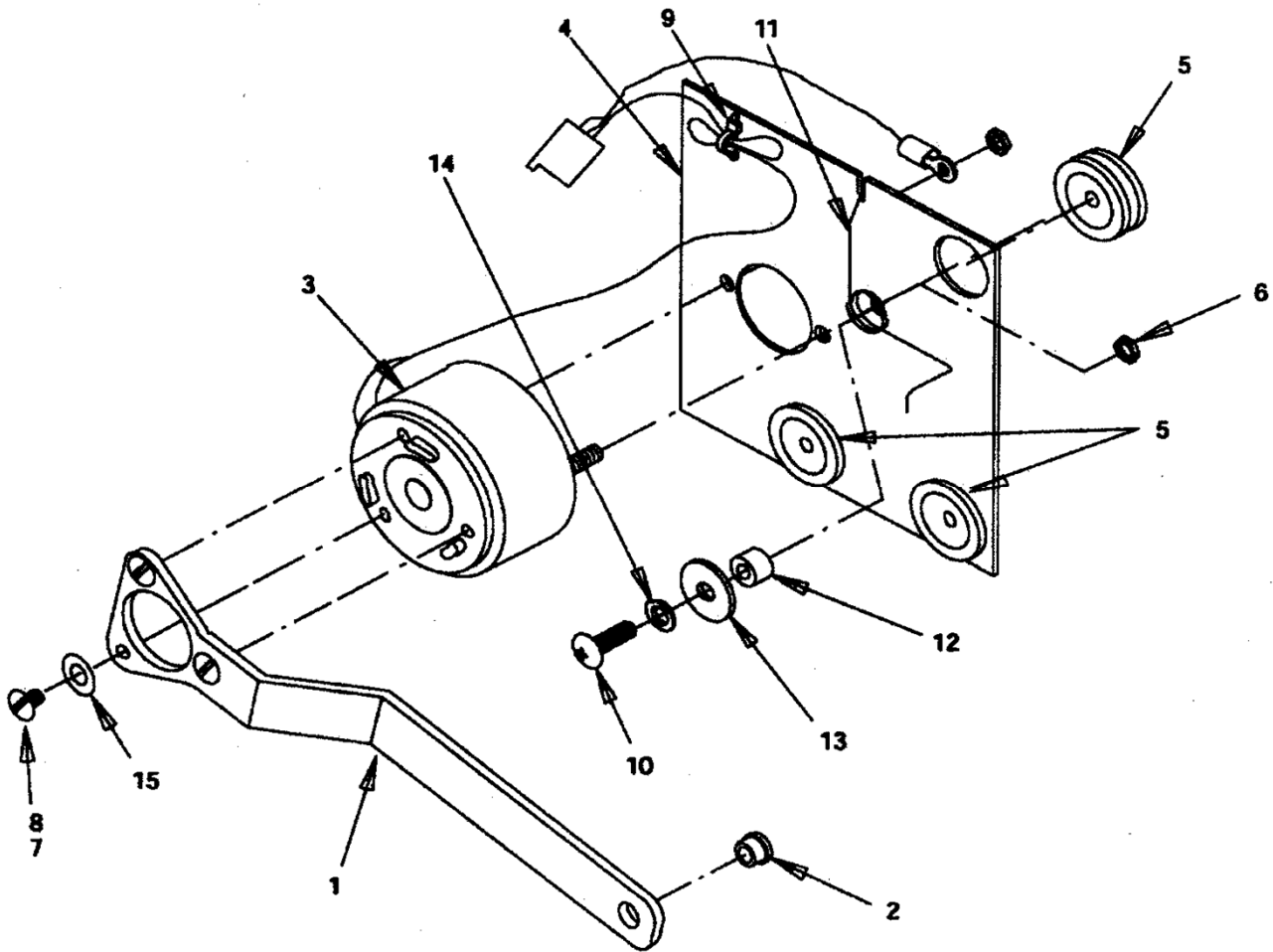


IOD150, IOD200 and IOD250 Service Parts IOD 200 and IOD250 Cabinet and Dispenser

Item No.	Part No.	Description	Item No.	Part No.	Description
1	1011342-12	Slide, Gate	34	1011342-76	Hex Nut, No. 10-32
*2	1011342-144	Restrictor, Gate	35	1011342-77	Hex Nut, No. 10-32, Nyloc
3	1011342-146	Plate, Motor Mount	36	1011342-63	Tab, Retaining
4	1011342-22	Agitator	37	1011342-92	Screw, No. 10-32 By 3/8-In.
5	1011342-21	Cover, Rear Wrapper	38	1011342-75	Hex Nut, No. 10-32, Keps
6	1011342-142	Panel, Lower Front	39	1011342-143	Washer, No. 10
7	1011342-20	Cabinet	40	1011342-83	Washer,
8	1011342-29	Boot, Switch	41	1011342-89	Screw, No. 8-32 By 3/8-In.
9	1011342-08	Dispense Lever, Short	42	1011342-90	Screw, No. 8-32 By 1/2-In.
10	1011342-02	Pin, Drip Tray	43	1011342-91	Screw, No. 8 By 1/2-In. Long
*11	1011342-25	Agitator Motor Heater 115 V	44	1011342-107	Screw, 3/8-16 By 3/4-In. Long
12	1011342-26	Dispense Switch	45	1011342-84	Washer
13	1011342-13	Retainer, Ice Dispense lever	46	1011342-110	Washer,
14	1011342-33	Bulb, Florescent	47	1011342-94	Spring, Motor Heater
15	1011342-41	Agitator Motor 120 Volt	48	1011342-154	Screw, No. 8-32 By 1 1/8-In.
16	1011342-38	Solenoid Ass'y 120 Volt	49	1011342-149	Clip, Push-on
17	1011342-125	Elec Box Ass'y, 120V IOD 200	50	1011342-116	Reflector Panel-IOD200
	1011342-126	Elec Box Ass'y, 120V IOD 250		1011342-120	Reflector Panel-IOD250
18	1011342-19	Bracket, Motor Mount	51	1011342-140	Sheet Mtl Screw, #10 x 1/2.
19	1011342-103	Washer, Captivating No. 8	*52	1011342-104	Leg
20	1011342-115	Hinge Gusset	53	1011342-03	Retainer, Agitator
21	1011342-70	Seal, Motor	54	1011342-97	Spacer, Switch
22	1011342-01	Gasket, Gate	55	1011342-109	Wing Nut, 3/8-16
*23	1011342-55	Plug	56	1011342-111	Shoulder Screw, No. 8-32
24	1011342-105	Strap, Motor	57	1011342-106	Shoulder Screw, 1/4-20
25	1011342-139	Ice Chute	58	1011342-108	Cup Rest
26	1011342-69	Ice Chute Cover	*59	1011342-51	Adapter, 1-In. Barb By 3/4 MPT (For Drip Tray Drain)
27	1011342-04	Motor Mount			
28	1011342-66	Merchandiser, Black (IOD250)	*60	1011342-50	Adapter, 3/4 Soc By 3/4 FPT (For Drip Tray Drain)
	1011342-65	Merchandiser, Black, (IOD200)			
	1011342-09	Merchandiser, S.S., (IOD250)	*61	1011342-96	Hose Clamp (For Drip Tray Drain)
	1011342-10	Merchandiser, S.S., (IOD200)			
29	1011342-60	Panel, Inner	62	1011342-151	Graphic, IOD200
30	1011342-71	Drip Tray, Black, Insulated		1011342-152	Graphic, IOD250
31	1011342-67	Lid, Dispenser, Black	63	1011342-122	Drip tray extension
32	1011342-61	Hopper Ass'y, Insul (ID250)	*	1011342-100	Faucet Blank Panel
	1011342-59	Hopper Ass'y, Insul (ID200)	*	1011342-101	Water Filler Handle
33	1011342-63	Tab, Retaining	*		Not shown

Note: Part Numbers in BOLD are not stocked items

IOD150, IOD200 and IOD250 Service Parts Rotary Solenoid



Item

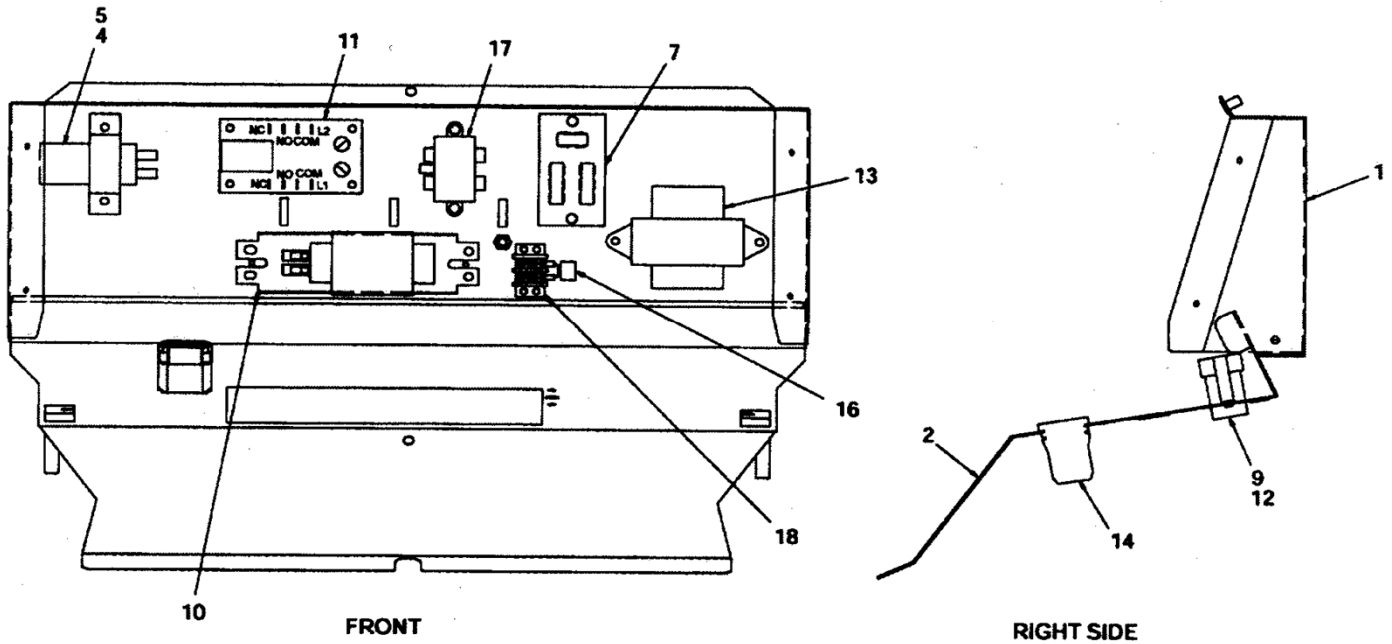
No	Part Number	Description
1	1011342-15	Arm, Gate Lift
2	1011342-48	Bearing, Gate Arm
3	1011342-39	Solenoid, 120 Volts NLA
4	1011342-14	Plate, Solenoid Mounting
5	1011342-47	Isolator
6	1011342-75	Hex Nut, No. 10-32
7	N/A	Locktite
8	1011342-87	Screw, No. 8-32 By 1/4-In. Long
9	1011342-46	Tie Cable
10	1011342-88	Screw, No. 8-32 By 5/8-In. Long
11	1011342-102	Spring, Solenoid Arm
12	1011342-52	Spacer
13	1011342-83	Washer, .218 I.D. By .875 O.D.
14	1011342-82	Lockwasher, No. 10
15	1011342-80	Flatwasher, No. 8

Order 1011342-38 Assembly (page 4-5)

Note: Part Numbers in BOLD are not stocked items

IOD150, IOD200 and IOD250 Service Parts

Electrical Box IOD150



Item

No	Part number	Description
1	1011342-113	Electrical Box (IOD 150)
2	1011342-114	Reflector, Panel (IOD 150)
3	N/A	N/A
4	1011342-23	Clamp, Capacitor, 120 Volts
5	1011342-24	Capacitor, 120 Volt
6	N/A	N/A
7	1011342-30	Terminal Board
8	N/A	N/A
9	1011342-31	Starter
10	1011342-32	Ballast, 120 Volt
11	1011342-138	Timer, Agitation, 120 Volt
12	1011342-124	Socket, Starter
13	1011342-36	Transformer, 120 Volts No Longer Available (Not Used)
14	1011342-123	Lampholder

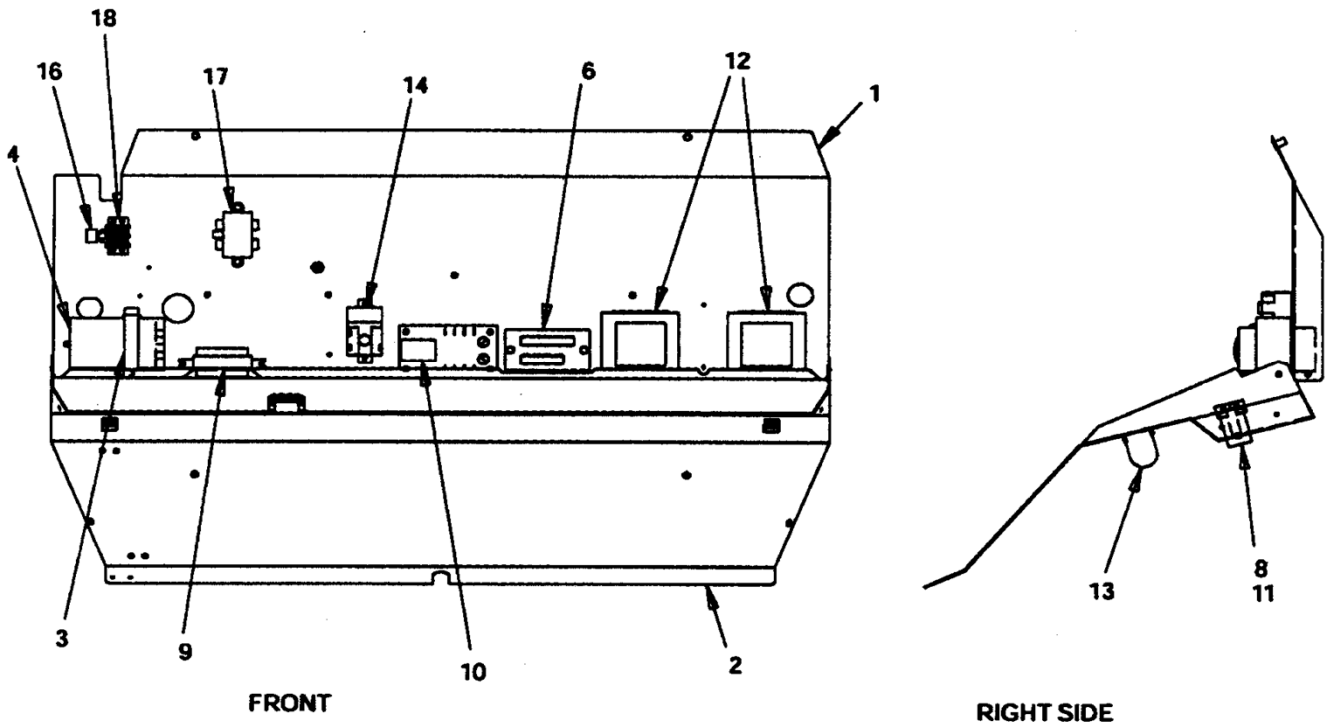
Not Shown:

1011342-40 Relay, Start, 120 Volts

Note: Part Numbers in BOLD are not stocked items

IOD150, IOD200 and IOD250 Service Parts

Electrical Box IOD200 and IOD250



Item No	Part number	Description
1	1011342-119	Electrical Box (IOD250)
	1011342-117	Electrical Box (IOD200)
2	1011342-120	Reflector Panel (IOD250)
	1011342-116	Reflector Panel (IOD200)
3	1011342-118	Clamp, Capacitor
4	1011342-148	Capacitor, Agitator Motor
5	1011342-28	Power Cord, 120 Volts
6	1011342-27	Terminal Board, 120 Volts
7	N/A	Not Used
8	1011342-31	Starter
9	1011342-32	Ballast, 120 Volts
10	1011342-138	Agitation Timer, 120 Volts

Item No	Part number	Description
11	1011342-124	Socket, Starter
12	1011342-36	Transformer, 120 Volts
13	1011342-123	Lampholder
14	1011342-40	Relay, Start, 120 Volts
15	N/A	Not Used
16	N/A	Not Used
17	N/A	Not Used
18	N/A	Not Used

Note: Part Numbers in BOLD are not stocked items

IOD150, IOD200 and IOD250 Service Parts Schematic Diagram

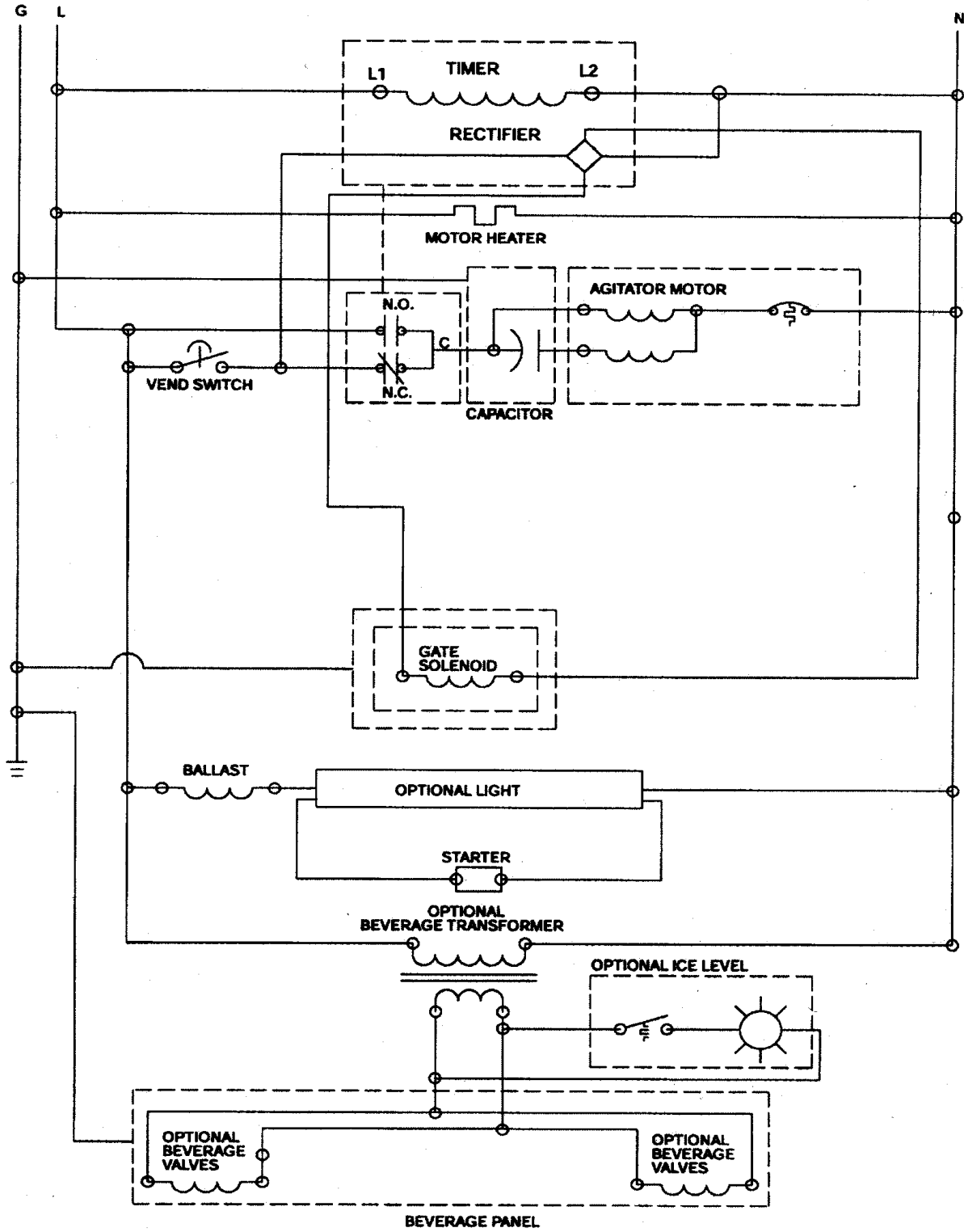


FIGURE 8. WIRING SCHEMATIC (120 V UNIT)