

**SERVICE PARTS MANUAL**  
**MODELS-ICE1806W4,W5,W6-R4,R5,R6**  
**MODELS ICE1807W4,W5,W6-R4,R5,R6**  
**MODELS-ICE2106 W4,W5-R4,R5,R6**  
**MODELS ICE2006W**  
**MODELS ICE2107W4,W5 R4,R5**  
Includes 3 Phase Units



14-1027-A

Date 9/29/16



# **ICE1800 and 2100 Series Service Parts**

This parts list contains the service parts available for the following icemakers.

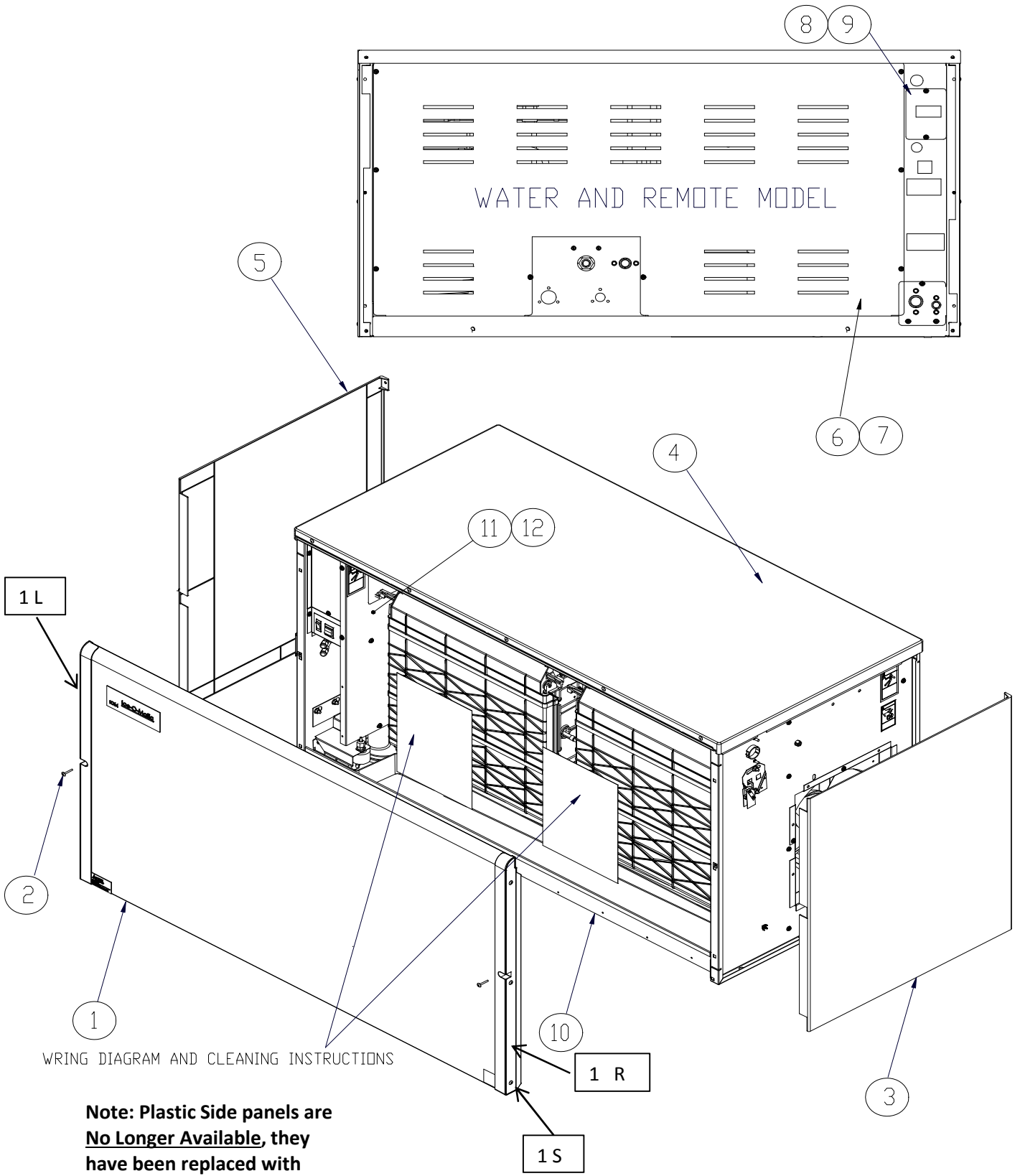
**MODELS-ICE1806W4,W5,W6 and ICE1807W4,W5,W6 R4,R5,R6  
MODELS-ICE2106 W4,W5 -R4,R5,R6and ICE2107W4,W5 R4,R5  
Model-ICE2006W**

**Check the model number on the data plate and refer to the correct listing for the specific component.**

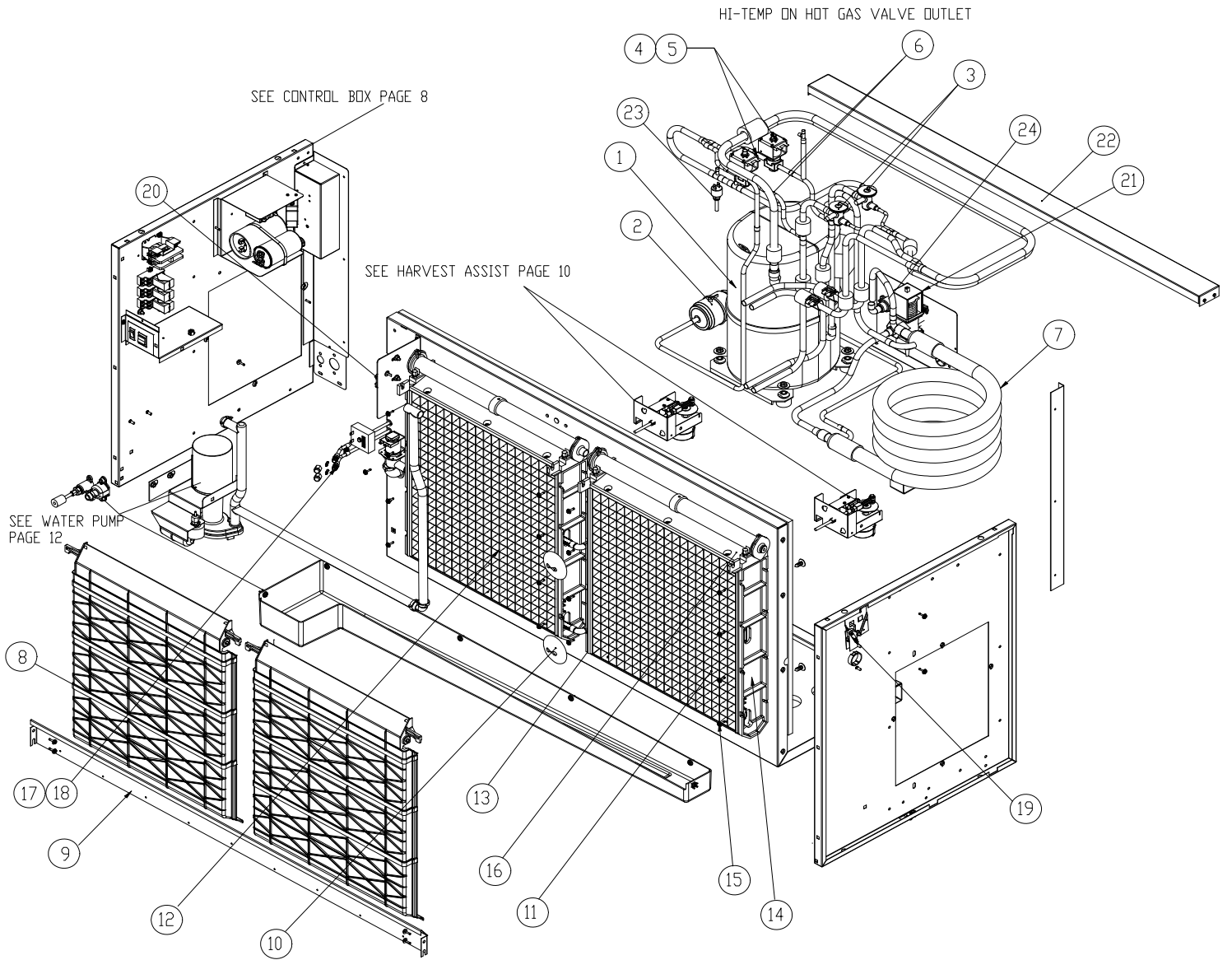
Check carefully that the correct part is identified and ordered.

<b>Table of Contents</b>	<b>Page 1</b>
<b>Exterior Panels</b>	<b>Page 2</b>
<b>Water Cooled</b>	<b>Page 4</b>
<b>Remote</b>	<b>Page 6</b>
<b>Control Box-Compressor Components</b>	<b>Page 8</b>
<b>Harvest Assist</b>	<b>Page 10</b>
<b>Water Pump/Float</b>	<b>Page 12</b>
<b>VRC Condenser</b>	<b>Page 14</b>

**Ice-O-Matic  
11100 East 45th Ave.  
Denver Co. 80239**



Item No.	Model Number					Description
	ICE1806	ICE1807	ICE2106	ICE2006	ICE2107	
1	2031511-03	2031511-03	2031511-03	2031511-03	2031511-03	Front Panel
1L	9051562-04	9051562-04	9051562-04	9051562-04	9051562-04	End Cap - Left Hand
1R	9051562-03	9051562-03	9051562-03	9051562-03	9051562-03	End Cap - Right Hand
1S	9031098-02P	9031098-02P	9031098-02P	9031098-02P	9031098-02P	End Cap Screw (Pack of 25 ea.) (Qty 3 Per Side)
2	9031098-02P	9031098-02P	9031098-02P	9031098-02P	9031098-02P	Front Panel Screws (Pack of 25 ea.)
3	3021969-02	3021969-02	3021969-02	3021969-02	3021969-02	Right Side Panel-Water and Remote Only (Metal)
4	2101430-01	2101430-01	2101430-01	2101430-01	2101430-01	Top Panel
5	3021969-02	3021969-02	3021969-02	3021969-02	3021969-02	Left Side Panel-Water and Remote Only (Metal)
6	3021926-01	3021926-01	3021926-01	3021926-01	3021926-01	Rear Panel
7	9031046-01	9031046-01	9031046-01	9031046-01	9031046-01	Rear Cover Panel Screws
8	3013308-01	3013308-01	3013308-01	3013308-01	3013308-01	Junction Box Cover
9	9031046-01	9031046-01	9031046-01	9031046-01	9031046-01	Junction Box Cover Screws
10	3013315-01	3013315-01	3013315-01	3013315-01	3013315-01	Ice Deflector
11	3013294-01	3013294-01	3013294-01	3013294-01	3013294-01	Control Box Top Cover
12	3013293-01	3013293-01	3013293-01	3013293-01	3013293-01	Control Box Side Cover



Item No.	Model Number					Description
	ICE1806	ICE1807	ICE2106	ICE2006	ICE2107	
1	9181143-11	9181143-13	9181144-11	9181150-11	9181144-12	Compressor * <b>See Notes Below</b>
2	9151163-02	9151163-02	9151163-02	9151163-02	9151163-02	Filter Drier (Replaces 9151004-03)
3	9151152-101	9151152-101	9151152-101	9151152-101	9151152-101	Expansion Valve (Valve, Insl. and Clamp)
4	9151123-02	9151123-02	9151123-02	9151123-02	9151123-02	Hot Gas Valve Body
5	9151123-04	9151123-04	9151123-04	9151123-04	9151123-04	Hot Gas Valve Coil
6	9041098-01	9041098-01	9041098-01	9041098-01	9041098-01	High Temperature Safety Control
7	9141123-01	9141123-01	9141123-01	9141123-01	9141123-01	Water Condenser
8	9051154-12	9051154-12	9051154-12	9051154-12	9051154-12	Evaporator Splash Curtain
9	3013315-01	3013315-01	3013315-01	3013315-01	3013315-01	Ice Deflector
10	9051237-02	9051237-02	9051237-02	9051237-02	9051237-02	Washer Tube
11	2051250-81A	2051250-81A	2051250-81A		2051250-81A	Evaporator <b>Right Side Full Cube</b>
11	2051250-82A	2051250-82A	2051250-82A		2051250-82A	Evaporator <b>Right Side Half Cube</b>
12	2051251-81A	2051251-81A	2051251-81A		2051251-81A	Evapoartor <b>Left Side Full Cube</b>
12	2051251-82A	2051251-82A	2051251-82A		2051251-82A	Evapoartor <b>Left Side Half Cube</b>
				2051250-83		Evaporator <b>Right Side Full Cube</b>
				2051251-81A		Evapoartor <b>Left Side Full Cube</b>
				2051250-84		Evaporator <b>Right Side Half Cube</b>
				2051251-82A		Evapoartor <b>Left Side Half Cube</b>
				2051257-81		Evaporator <b>Right Side Half Cube N</b>
				8051258-81		Evapoartor <b>Left Side Half Cube N</b>
13	9051170-04	9051170-04	9051170-04	9051170-04	9051170-04	Evaporator Left Side Mounting Panel
14	9051170-03	9051170-03	9051170-03	9051170-03	9051170-03	Evaporator Right Side Mounting Panel
15	9051135-04	9051135-04	9051135-04	9051135-04	9051135-04	Water return
16	9051135-05	9051135-05	9051135-05	9051135-05	9051135-05	Spillway
17	9091086-02	9091086-02	9091086-02	9091086-02	9091086-02	Valve Core
17A	9091086-01	9091086-01	9091086-01	9091086-01	9091086-01	Valve Body
18	9091086-03	9091086-03	9091086-03	9091086-03	9091086-03	Valve Cap
19	9101124-02	9101124-02	9101124-02	9101124-02	9101124-02	Bin Switch <b>Right Side</b> (Cut Arm)
20	9101124-02	9101124-02	9101124-02	9101124-02	9101124-02	Bin Switch <b>Left Side</b> (Cut Arm)
21	9041056-01	9041056-01	9041056-01	9101124-02	9041056-01	Water Regulating Valve
22	3013316-01	3013316-01	3013316-01	3013316-01	3013316-01	Rear Brace
23	9041091-01	9041091-01	9041091-01	9041091-01	9041091-01	High Pressure Control
24	9091063-02	9091063-02	9091063-02	9091063-02	9091063-02	Condenser Drain Fitting

\* Note: ICE2106 Water Cooled Compressor 9181129-11 is NLA, Reference Service Bulletin 12-12

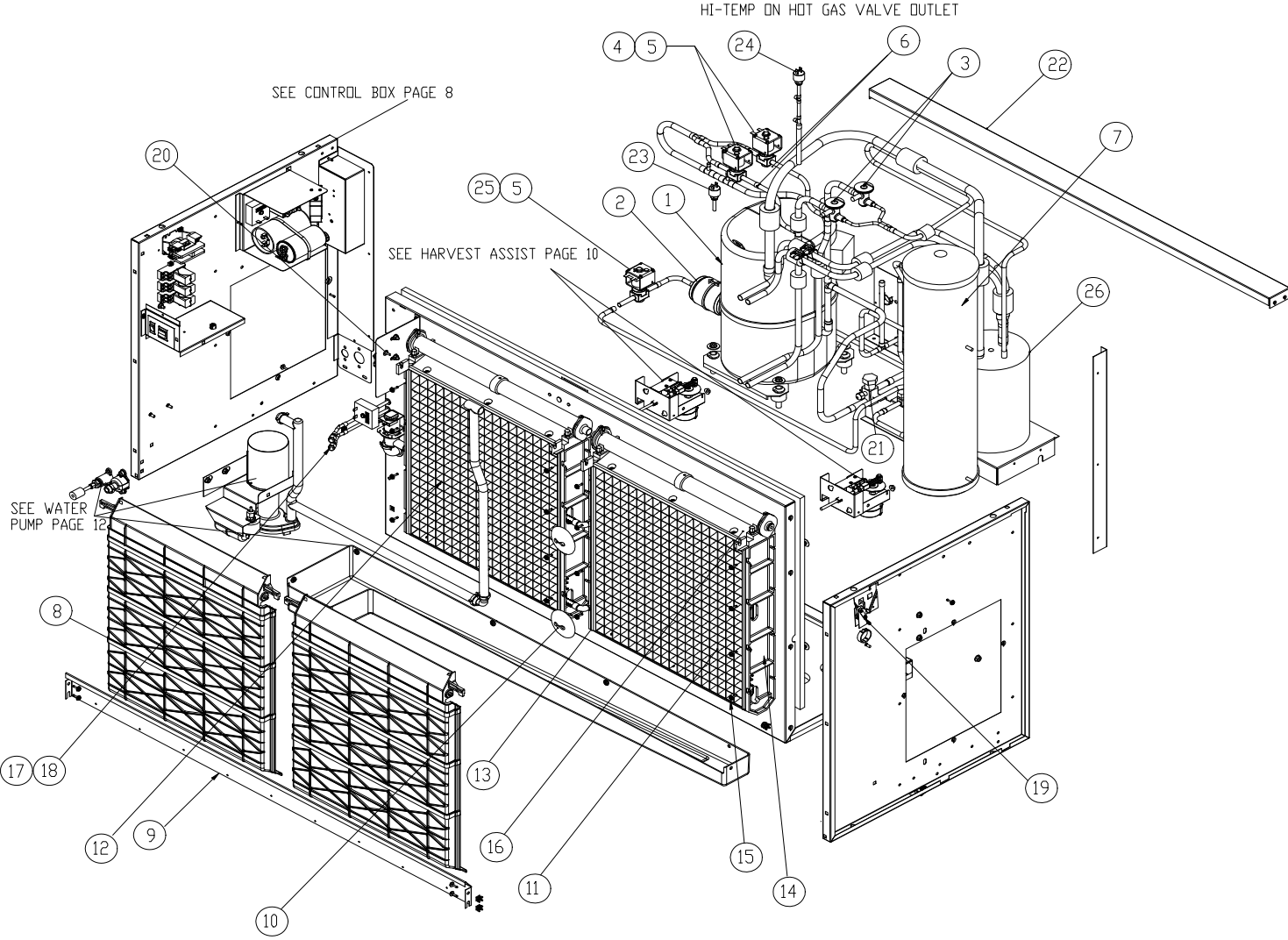
\* Note: ICE1806 Water Cooled Compressor 9181108-11 is NLA, Reference Service Bulletin 12-13

\* Note: ICE1807 Water Cooled Compressor 9181108-12 is NLA, Replaced by 9181143-13 (March 2013)

\* Note: ICE2107 Water Cooled Compressor 9181129-12 is NLA, Replaced by 9181144-12 (March 2013)

See Page 9 for Specific Compressor Components

Evaporators with an "A" suffix include elbows.



Item No.	Model Number				Description
	ICE1806	ICE1807	ICE2106	ICE2107	
1	9181143-11	9181143-13	9181144-11	9181144-12	Compressor * <b>See Notes Below</b>
2	9151163-02	9151163-02	9151163-02	9151163-02	Filter Drier (Replaces 9151004-03)
3	9151152-101	9151152-101	9151152-101	9151152-101	Expansion Valve (Includes Valve, Insulation and Clamp)
4	9151123-02	9151123-02	9151123-02	9151123-02	Hot Gas Valve Body
5	9151123-04	9151123-04	9151123-04	9151123-04	Hot Gas Valve Coil
6	9041098-01	9041098-01	9041098-01	9041098-01	High Temperature Safety Control
7	9151109-01	9151109-01	9151109-01	9151109-01	Receiver
8	9051154-12	9051154-12	9051154-12	9051154-12	Evaporator Splash Curtain
9	3013315-01	3013315-01	3013315-01	3013315-01	Ice Deflector
10	9051237-02	9051237-02	9051237-02	9051237-02	Washer Tube
11	2051250-81	2051250-81	2051250-81	2051250-81	Evaporator <b>Right Side Full Cube (Replaces 2051239-81)</b>
11	2051250-82	2051250-82	2051250-82	2051250-82	Evaporator <b>Right Side Half Cube (Replaces 2051239-82)</b>
12	2081251-81	2051251-81	2051251-81	2051251-81	Evapoartor <b>Left Side Full Cube (Replaces 2051240-81)</b>
12	2051251-82	2051251-82	2051251-82	2051251-82	Evapoartor <b>Left Side Half Cube (Replaces 2051240-82)</b>
13	9051170-04	9051170-04	9051170-04	9051170-04	Evaporator Left Side Mounting Panel
14	9051170-03	9051170-03	9051170-03	9051170-03	Evaporator Right Side Mounting Panel
15	9051135-04	9051135-04	9051135-04	9051135-04	Water Return
16	9051135-05	9051135-05	9051135-05	9051135-05	Spillway
17	9091086-02	9091086-02	9091086-02	9091086-02	Valve Core
17A	9091086-01	9091086-01	9091086-01	9091086-01	Valve Body
18	9091086-03	9091086-03	9091086-03	9091086-03	Valve Cap
19	9101124-02	9101124-02	9101124-02	9101124-02	Bin Switch <b>Right Side (Cut Arm)</b>
20	9101124-02	9101124-02	9101124-02	9101124-02	Bin Switch <b>Left Side (Cut Arm)</b>
21	9091143-02	9091143-02	9091143-02	9091143-02	Remote Shut-Off Valve (Large)
	9091143-01	9091143-01	9091143-01	9091143-01	Remote Shut-Off Valve (Small)
22	3013316-01	3013316-01	3013316-01	3013316-01	Rear Brace
23	9041091-01	9041091-01	9041091-01	9041091-01	High Pressure Control
24	9041092-02	9041092-02	9041092-02	9041092-02	Pump Down Control
25	9151123-02	9151123-02	9151123-02	9151123-02	Liquid Line Solenoid
26	2101421-01	2101421-01	2101421-01	2101421-01	Accumulator Assembly
	9091001-12	9091001-12	9091001-12	9091001-12	1/2 Inch Coupling (Not Shown)
	9091001-11	9091001-11	9091001-11	9091001-11	3/8 Inch Coupling (Not Shown)
	9151139-01	9151139-01	9151139-01	9151139-01	Check Valve (Not Shown)

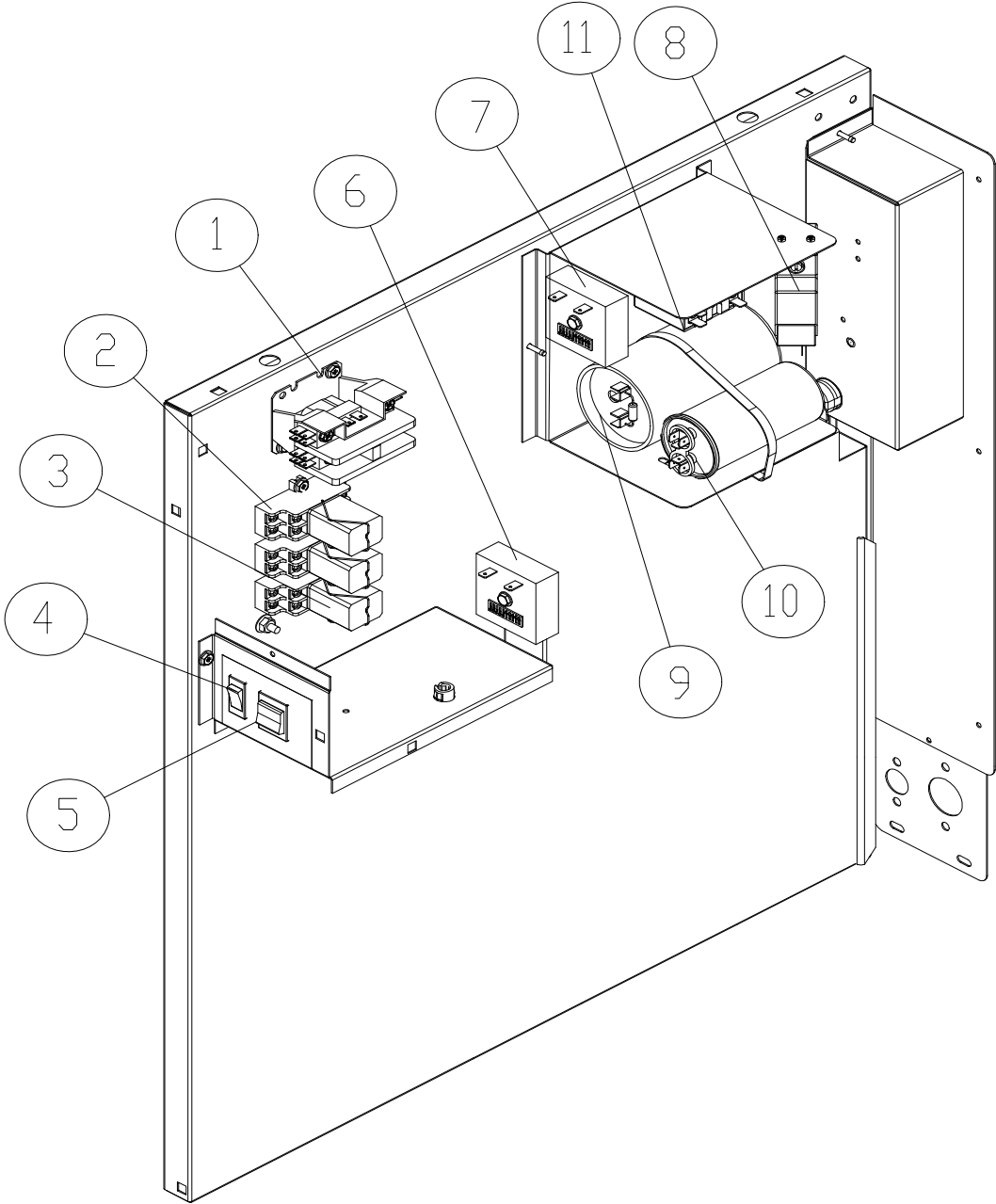
\* Note: ICE2106 Remote Cooled Compressor **9181129-11** is NLA, Reference Service Bulletin 12-12

\* Note: ICE1806 Remote Cooled Compressor **9181108-11** is NLA, Reference Service Bulletin 12-13

\* Note: ICE1807 Remote Cooled Compressor **9181108-12** is NLA, Replaced by **9181143-13** (March 2013)

\* Note: ICE2107 Remote Cooled Compressor **9181129-12** is NLA, Replaced by **9181144-12** (March 2013)

See Page 9 for Specific Compressor Components



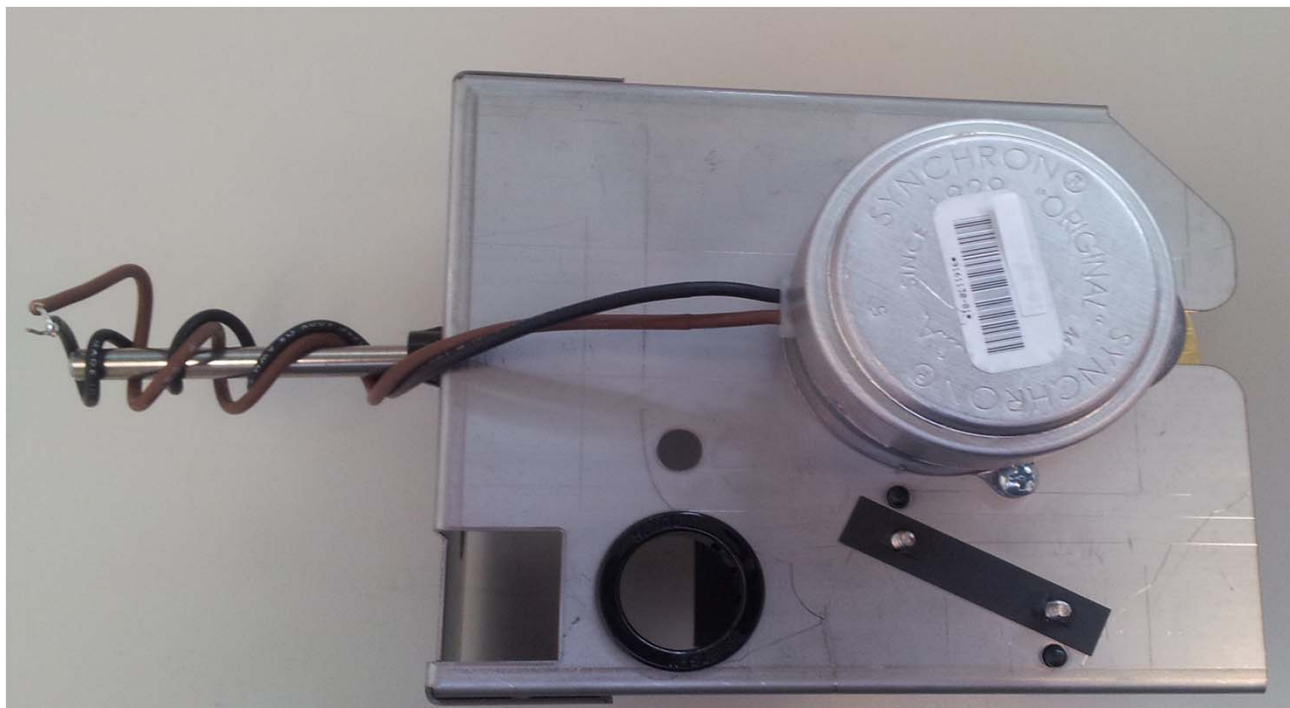
Item No.	Model Number					Description
	ICE1806	ICE1807	ICE2106	ICE2006	ICE2107	
1	9101002-06	9101079-02	9101002-06	9101002-06	9101079-02	Contactator
2	9101083-01	9101083-01	9101083-01	9101083-01	9101083-01	Relay Base
3	9101084-02	9101084-02	9101084-02	9101084-02	9101084-02	Relay
4	<b>9101348-01</b>	<b>9101348-01</b>	<b>9101348-01</b>	9101348-01	<b>9101348-01</b>	Purge Switch (9101139-03 is NLA From SN1407)
	<b>1051208-01</b>	<b>1051208-01</b>	<b>1051208-01</b>		<b>1051208-01</b>	Purge Switch (9101139-03 is NLA Prior to SN1407)
5	<b>9101349-01</b>	<b>9101349-01</b>	<b>9101349-01</b>	9101349-01	<b>9101349-01</b>	ICE-OFF-WASH Switch (9101195-01 is NLA)
6	9101148-01	9101148-01	9101148-01	9101148-01	9101148-01	Timer
7	9101148-01	9101148-01	9101148-01	NA	9101148-01	Timer (6 Minute-Remote only)
8	9041104-101A	9041104-101A	9041104-101A	9041104-101A	9041104-101A	Low Pressure Control (Replaces 9041094)
9	See Below	N/A	See Below	See Below	N/A	Start Capacitor
10	See Below	N/A	See Below	See Below	N/A	Run Capacitor
11	See Below	N/A	See Below	See Below	N/A	Compressor Relay

Reference the Compressor Model Number to INSURE THE CORRECT START COMPONENTS ARE SUPPLIED  
 The **Compressor Kits** are NO LONGER AVAILABLE, Replaced by the **Compressor Kits in Green Below**

ICE1806	ICE1807	ICE2106	ICE2107	Description
<b>9181108-11</b>	<b>9181108-12</b>	<b>9181129-11</b>	<b>9181129-12</b>	<b>Compressor Kit=No Longer Available</b>
9181003-21	N/A	9181003-21	N/A	Start Capacitor (Still Available)
9181009-20	N/A	9181009-13	N/A	Run Capacitor (Still Available)
9181010-10	N/A	9181010-11	N/A	Relay (Still Available)
<b>9181108-11</b>				<b>CS20K6E-PFV-235</b>
	<b>9181108-12</b>			<b>CS20K6E-TF5-236</b>
		<b>9181129-11</b>		<b>CS24K6E-PFV-236</b>
			<b>9181129-12</b>	<b>CS24K6E-TF5-236</b>

Reference the compressor model number to insure the correct compressor starting components are ordered

ICE1806	ICE1807	ICE2106	ICE2006	ICE2107	Description
<b>9181143-11</b>	<b>9181143-13</b>	<b>9181144-11</b>	<b>9181150-11</b>	<b>9181144-12</b>	Compressor Kit
9181003-21	N/A	9181003-21	9181003-24	N/A	Start Capacitor
9181009-20	N/A	9181009-13	9181009-27	N/A	Run Capacitor
9181010-10	N/A	9181010-11	9181010-03	N/A	Relay
				<b>9181150-11</b>	<b>R92J433ABCCA</b>
<b>9181143-11</b>					<b>CS20K6E-PFV-255</b>
	<b>9181143-13</b>				<b>CS20K6E-TF5-256</b>
		<b>9181144-11</b>			<b>CS24K6E-PFV-256</b>
			<b>9181144-12</b>		<b>CS24K6E-TF5-256</b>

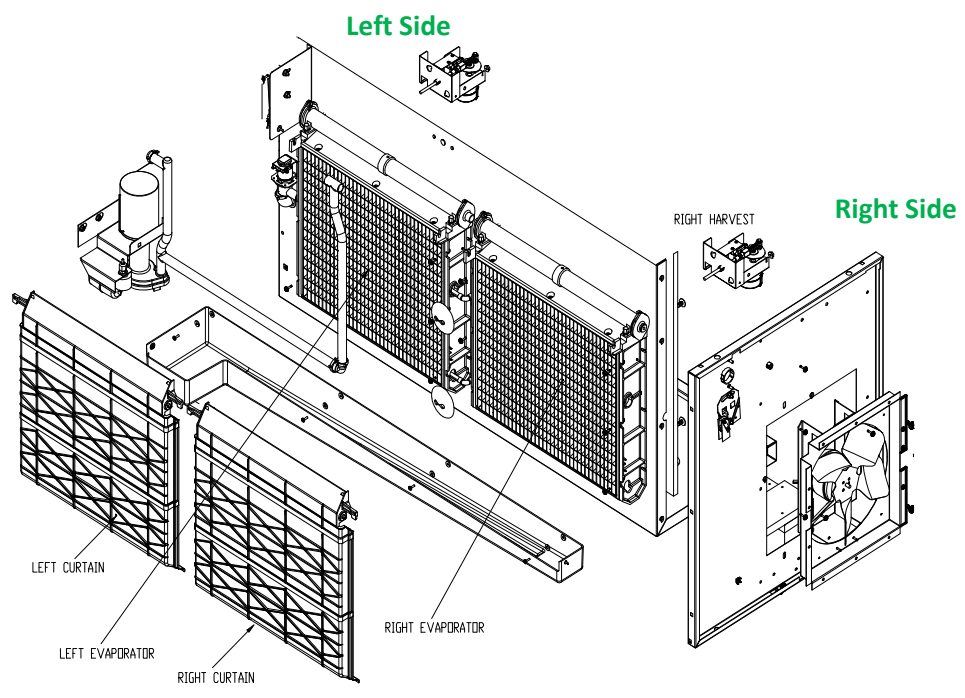
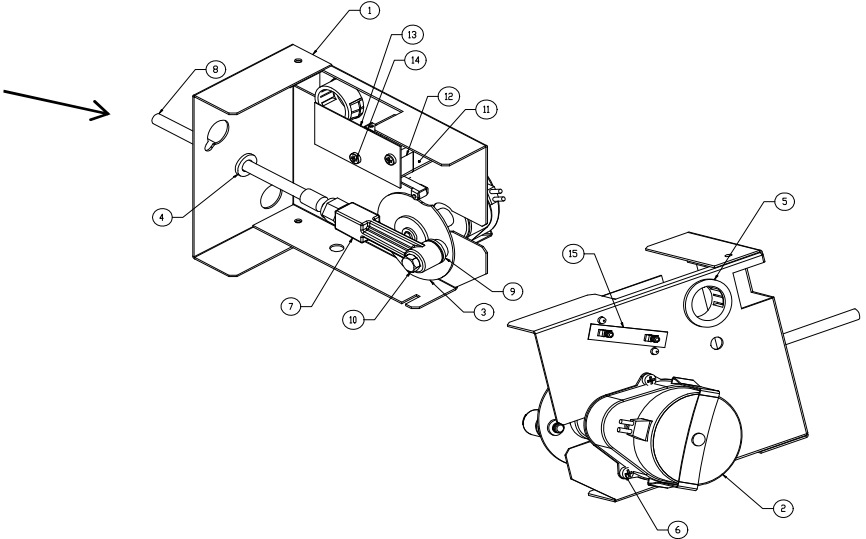


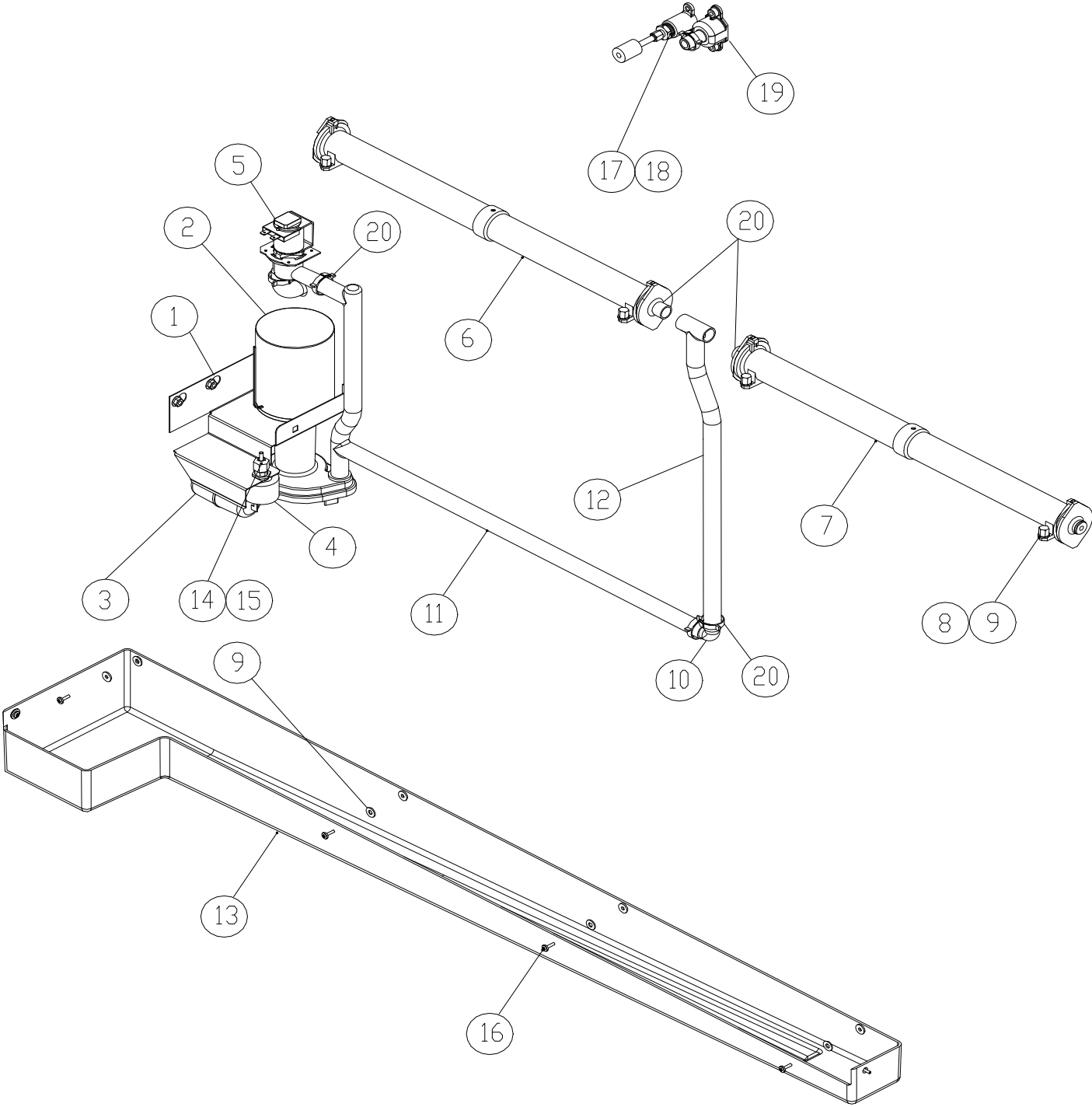
### 1051210-XX Reference Page 12 for Specific Model Number and Part Number

- The **1051210-XX** assembly will fit all ICE Models from October 1999 and EC Models.
- Units installed with a double cam switch, either Field installed or Factory installed will require the complete assembly and a potential wiring change as per the New Wiring Diagram included with the assembly.
- Individual component parts are not available for the **1051210-XX** assembly.
- Individual component parts are No Longer Available for previous version of the Harvest Assist Assembly
- Parts for the **2061962-XX** Harvest Assist Assembly are not compatible with **1051210-XX** Harvest Assist Assembly.
- Proper assembly and alignment of the parts is critical to proper operation, this includes cam and probe alignment.
- If a **1051210-XX** assembly fails, it must be returned to Ice-O-Matic.

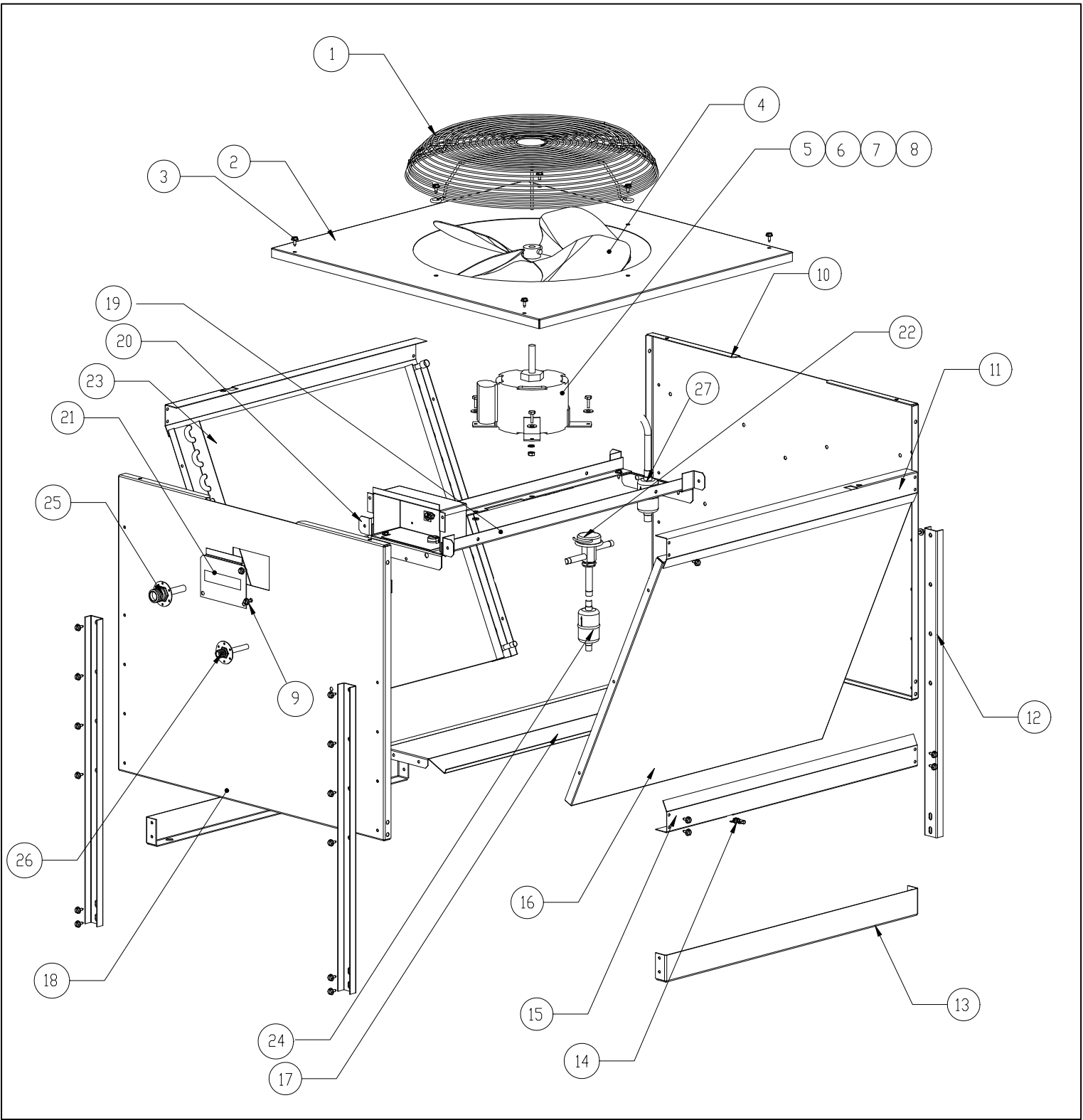
Item No.	Model Number					Description
	ICE1806	ICE1807	ICE2106	ICE2006W	ICE2107	
	1051210-02	1051210-02	1051210-02	2062294-02	1051210-02	Complete Assembly-Right Side
	2061962-02S	2061962-02S	2061962-02S		2061962-02S	No Longer Available
	1051210-02	1051210-02	1051210-02		1051210-02	Complete Assembly-Right Side Remote Only
	2061962-10S	2061962-10S	2061962-10S		2061962-10S	No Longer Available-Secondary-Right Side Remote Only
	1051210-03	1051210-03	1051210-03	20062294-03	1051210-03	Complete Assembly-Secondary-Left Side
	2061962-03S	2061962-03S	2061962-03S		2061962-03S	No Longer Available-Secondary-Left Side

2061962-02S No Longer Available  
 2061962-03S No Longer Available  
 2061962-10S No Longer Available





Item No.	Model Number					Description
	ICE1806	ICE1807	ICE2106	ICE2006W	ICE2107	
1	3013310-01	3013310-01	3013310-01	3013310-01	3013310-01	Water Pump Bracket
2	9161079-06	9161079-06	9161079-06	9161079-06	9161079-06	Water Pump
3	9131111-102	9131111-102	9131111-102	9131111-102	9131111-102	Float (Includes Fittings)
4	9131026-02	9131026-02	9131026-02	9131026-02	9131026-02	Float Deflector
5	9041105-03	9041105-03	9041105-03	9041105-03	9041105-03	Purge Valve
6	2041338-02	2041338-02	2041338-02	2041338-02	2041338-02	Water Distribution Tube Left
7	2041338-01	2041338-01	2041338-01	2041338-01	2041338-01	Water Distribution Tube Right
8	9031122-01	9031122-01	9031122-01	9031122-01	9031122-01	Thumb Screw
9	9031004-19	9031004-19	9031004-19	9031004-19	9031004-19	Washer
10	9091052-01	9091052-01	9091052-01	9091052-01	9091052-01	Elbow
11	9051543-01	9051543-01	9051543-01	9051543-01	9051543-01	Water Pump Tube (Water Pump/Purge Valve)
12	9051546-02	9051546-02	9051546-02	9051546-02	9051546-02	Water Pump Tube (Water Distribution Tube)
13	9051544-01	9051544-01	9051544-01	9051544-01	9051544-01	Water Trough
14	3032898-34	3032898-34	3032898-34	3032898-34	3032898-34	Water Inlet Tubing (34.00 inches long)
15	9091081-01	9091081-01	9091081-01	9091081-01	9091081-01	Sleeve
	9091080-01	9091080-01	9091080-01	9091080-01	9091080-01	Barrel Fitting
16	9031046-24	9031046-24	9031046-24	9031046-24	9031046-24	Water Trough Screw
17	9091074-01	9091074-01	9091074-01	9091074-01	9091074-01	Drop Adapter
18	9091083-01	9091083-01	9091083-01	9091083-01	9091083-01	Water Inlet Fitting
19	9091140-01	9091140-01	9091140-01	9091140-01	9091140-01	Drain Fitting
20	9021010-04	9021010-04	9021010-04	9021010-04	9021010-04	Clamp



ICE0500R	ICE0600R	ICE0800R ICE1000R	ICE1400R4 ICE1506R3	ICE1800R4 ICE2100R4
----------	----------	----------------------	------------------------	------------------------

Item	VRC1001	VRC1061	VRC2061	VRC2661	VRC5061	Description
1	9131452-01	9131452-01	9131452-01	9131452-01	9131460-01	Fan Guard
2	3013222-01	3013222-01	3013222-01	3013222-01	3013303-01	Top Panel
3	9031019-04	9031019-04	9031019-04	9031019-04	9031019-04	¼-20 x 1/2 Screw
4	9131451-01	9131451-01	9131451-01	9131451-01	9131461-01	Fan Blade
5	9161117-02	9161117-01	9161117-01	9161117-01	9161118-01	Fan Motor
6	9031001-02	9031001-02	9031001-02	9031001-02	9031001-02	¼-20 x ¾ Cap Screw
7	9031003-01	9031003-01	9031003-01	9031003-01	9031003-01	Flat Washer
8	9031118-02	9031118-02	9031118-02	9031118-02	9031118-02	Flanged Lock Nut
9	9031019-04	9031019-04	9031019-04	9031019-04	9031019-04	¼-20 x 1/2 Screw
10	3013224-01	3013224-01	3013224-01	3013224-01	3013224-01	Rear Panel
11	3013226-01	3013226-01	3013226-01	3013226-01	3013305-01	Brace
12	3013227-01	3013227-01	3013227-01	3013227-01	3013227-01	Leg
13	3013228-01	3013228-01	3013228-01	3013228-01	3013306-01	Leg Brace
14	N/A	N/A	N/A	N/A	N/A	T-Nut-Shipping Only
15	3013226-01	3013226-01	3013226-01	3013226-01	3013305-01	Brace
16	3013232-01	3013232-01	N/A	N/A	N/A	Cover Panel
17	3013225-01	3013225-01	3013225-01	3013225-01	3013304-01	Center Panel
18	3013223-01	3013223-01	3013223-01	3013223-01	3013223-01	Front Panel
19	3013234-01	3013234-01	3013234-01	3013234-01	3013307-01	Motor Brace
20	3013233-01	3013233-01	3013233-01	3013233-01	3013233-01	Motor Brace Support
21	3013229-01	3013229-01	3013229-01	3013229-01	3013229-01	Junction Box Cover
22	9151027-07	9151027-06	9151027-07	9151027-07	9151027-07	Mixing Valve
23	9141135-01	9141135-01	9141135-01	9141136-01	9141137-01	Condenser
24	9151143-01	9151143-01	9151143-01	9151143-01	9151143-01	Filter
25	9091001-12	9091001-12	9091001-12	9091001-12	9091001-12	1/2 Coupling
26	9091001-11	9091001-11	9091001-11	9091001-11	9091001-11	3/8 Coupling
27	9151143-02	9151143-02	9151143-02	9151143-02	9151143-02	Filter