



---

## **CNM 22 INCH WIDE SERIES**

**CNM0322\*\*0A4, CNM0522\*\*0A4,**

**CNM0322\*\*5A4 & CNM0522\*\*5A4**

### **ILLUSTRATED PARTS LIST**



**Release Date: April 19, 2018**

**Publication Number: 548000063**

**Revision Date: December 6, 2019**

**Revision: C**

Visit the Cornelius web site at [www.cornelius.com](http://www.cornelius.com) for all your Literature needs.

---

## Notice

The products, technical information, and instructions contained in this manual are subject to change without notice. These instructions are not intended to cover all details or variations of the equipment, nor to provide for every possible contingency in the installation, operation or maintenance of this equipment. This manual assumes that the person(s) working on the equipment have been trained and are skilled in working with electrical, plumbing, pneumatic, and mechanical equipment. It is assumed that appropriate safety precautions are taken and that all local safety and construction requirements are being met, in addition to the information contained in this manual.

This Product is warranted only as provided in Cornelius' Commercial Warranty applicable to this Product and is subject to all of the restrictions and limitations contained in the Commercial Warranty.

Cornelius will not be responsible for any repair, replacement or other service required by or loss or damage resulting from any of the following occurrences, including but not limited to, (1) other than normal and proper use and normal service conditions with respect to the Product, (2) improper voltage, (3) inadequate wiring, (4) abuse, (5) accident, (6) alteration, (7) misuse, (8) neglect, (9) unauthorized repair or the failure to utilize suitably qualified and trained persons to perform service and/or repair of the Product, (10) improper cleaning, (11) failure to follow installation, operating, cleaning or maintenance instructions, (12) use of "non-authorized" parts (i.e., parts that are not 100% compatible with the Product) which use voids the entire warranty, (13) Product parts in contact with water or the product dispensed which are adversely impacted by changes in liquid scale or chemical composition.

## Correct Disposal of this Product



**RECYCLE**

This marking indicates that this product should not be disposed with other household wastes throughout the EU. To prevent possible harm to the environment or human health from uncontrolled waste disposal, recycle it responsibly to promote the sustainable reuse of material resources. To return your used device, please use the return and collection systems or contact the retailer where the product was purchased. They can take this product for environmental safe recycling.

## Trademarks and Copyrights

This document contains proprietary information and it may not be reproduced in any way without permission from Cornelius. This document contains the original instructions for the unit described.

CORNELIUS INC  
101 Regency Drive  
Glendale Heights, IL  
Tel: + 1 800-238-3600

Printed in U.S.

## Contact Information

To inquire about current revisions of any documentation or assistance with any Cornelius product, contact:

[www.cornelius.com](http://www.cornelius.com)  
800-238-3600



# TABLE OF CONTENTS

NOMENCLATURE .....1  
CABINET PART LIST .....2  
WATER SYSTEM PART LIST .....5  
AIR COOLED PART LIST .....8  
WATER COOLED PART LIST .....11  
ELECTRICAL PART LIST .....14



# NOMENCLATURE

This parts list contains the service parts available for the following CNM Series.

<b>CNM0322**0A4</b>	<b>115/60/1</b>
<b>CNM0322**5A4</b>	<b>220-240/50/1</b>
<b>CNM0522**0A4</b>	<b>115/60/1</b>
<b>CNM0522**5A4</b>	<b>220-240/50/1</b>

**NOTE: \* = Represent Condenser type and Cube Size Refer below for Details**

Model Number Example:

**CNM0322AH0A4**

**CNM = Cornelius Nordic Modular**

**03** = 300 lb, in 24 hours capacity, **05** = 500 lb, in 24 hours capacity.

**22** = 22 inch wide cabinet, **30** = 30 inch wide cabinet

**A** = Air Cooled Condenser, **W** = Water Cooled Condenser, **R** = Remote Cooled Condenser

**H** = Half Cube Size, **F** = Full Cube Size **G** = Grande Cube Size

**0** = 115 Volt, **5** = 220-240 V / 50 Hz / 1 Phase **6** = 208-230 Volt / 60 Hz / 1 Phase **7** = 3 Phase

**4** = New Revision

Check the model number on the data plate and refer to the correct listing for the specific component.

Check carefully that the correct part is identified and ordered.

# CABINET PART LIST

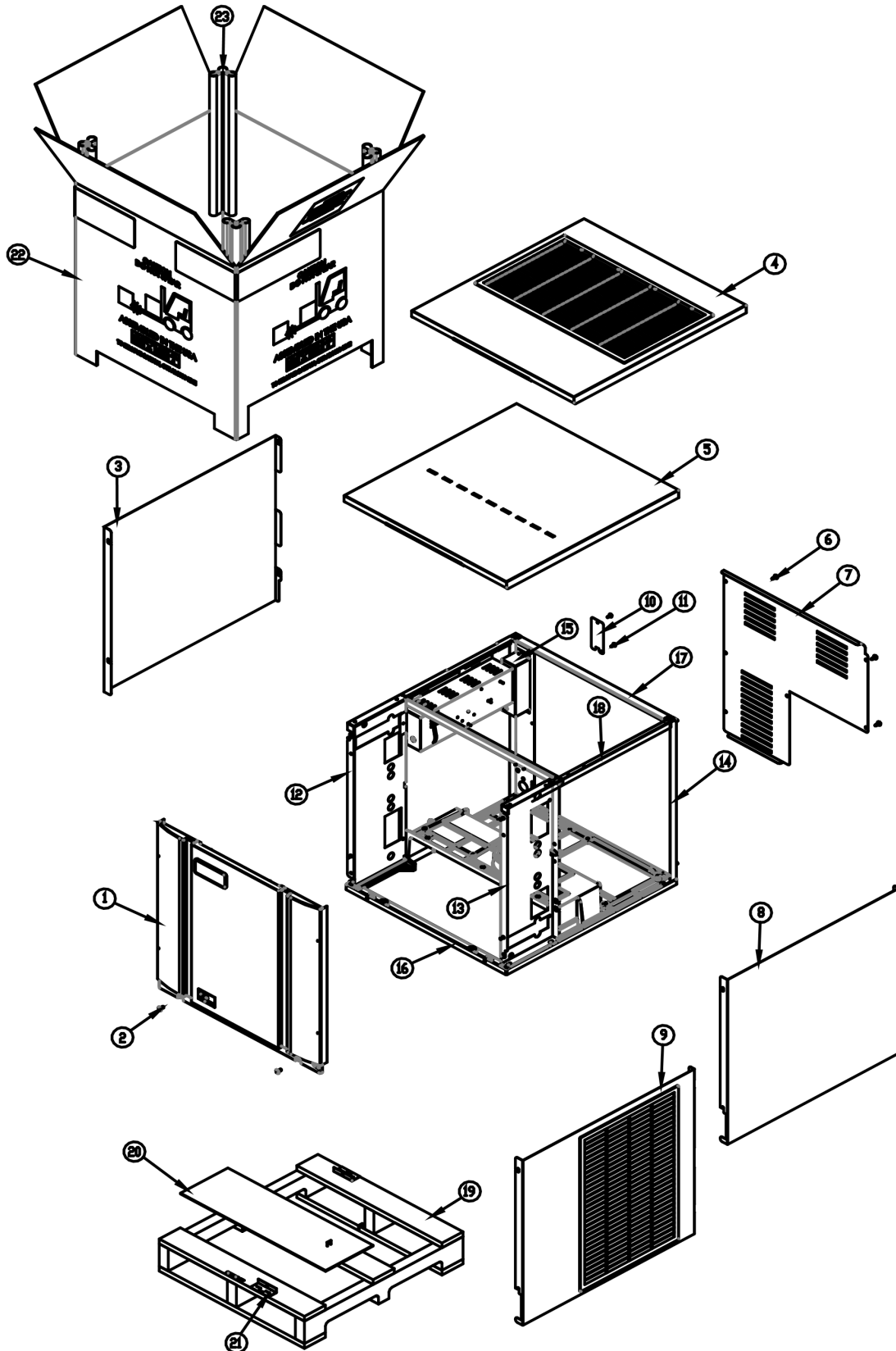


Figure 1.

NOTE: \* = Represent Condenser type and Cube Size Refer page 1 for Details.

Item No.	Model Number		Description
	CNM0322**0A4	CNM0522**0A4	
	115/60/1	115/60/1	Machine Voltage
1.	620060216	620060216	Front Panel
2.	620060151	620060151	Front Panel Screws
3.	620060141	620060141	Left Side Panel
4.	620060215	620060215	Top Panel-Air Cooled
5.	620060217	620060217	Top Panel- Water Cooled
6.	620204441P	620204441	Rear Cover Screws
7.	620060136	620060136	Rear Cover
8.	620060142	620060142	Right Side Panel-Water Cooled
9.	620060134	620060134	Right Side Panel-Air Cooled
10.	620060140	620060140	Junction Box Cover
11.	620204441	620204441	Junction Box Screw
12.	620060123	620060123	Front Left Brace
13.	620060124	620060124	Front Right Brace
14.	620060218	620060218	Right Side Rear Corner
15.	620060219	620060219	Junction Box
16.	620060220	620060220	Base
17.	620060137	620060137	Rear Brace
18.	620060221	620060221	Top Right Framework
19.	620060222	620060222	Elevation Skid 22 Inch
20.	620060223	620060223	Carton Liner 22 Inch
21.	620060170	620060170	Shipping Bracket 2 Req.(Field Installed)
22.	620060224	620060224	Carton, Elevation 22 Inch
23.	620060145	620060145	Corner Post (Each), Elevation, (4 Required)
24.	620060150	620060150	Pop Rivets Not Shown (Package of 10)

NOTE: \* = Represent Condenser type and Cube Size Refer page 1 for Details

220-240/50/1 Machine Voltage			
Item No.	Model Number		Description
	CNM0322**5A4	CNM0522**5A4	
1.	<a href="#">620060216</a>	<a href="#">620060216</a>	Front Panel
2.	<a href="#">620060151</a>	<a href="#">620060151</a>	Front Panel Screws
3.	<a href="#">620060141</a>	<a href="#">620060141</a>	Left Side Panel
4.	620060215	620060215	Top Panel-Air Cooled
5.	NA	620060217	Top Panel- Water Cooled
6.	<a href="#">620204441</a>	<a href="#">620204441</a>	Rear Cover Screws
7.	<a href="#">620060136</a>	<a href="#">620060136</a>	Rear Cover
8.	<a href="#">620060142</a>	<a href="#">620060142</a>	Right Side Panel-Water Cooled
9.	<a href="#">620060134</a>	<a href="#">620060134</a>	Right Side Panel-Air Cooled
10.	620060140	620060140	Junction Box Cover
11.	<a href="#">620204441</a>	<a href="#">620204441</a>	Junction Box Screw
12.	<a href="#">620060123</a>	<a href="#">620060123</a>	Front Left Brace
13.	<a href="#">620060124</a>	<a href="#">620060124</a>	Front Right Brace
14.	620060218	620060218	Right Side Rear Corner
15.	620060225	620060225	Junction Box
16.	620060220	620060220	Base
17.	620060137	620060137	Rear Brace
18.	620060221	620060221	Top Right Framework
19.	620060222	620060222	Elevation Skid 22 Inch
20.	620060223	620060223	Carton Liner 22 Inch
21.	<a href="#">620060170</a>	<a href="#">620060170</a>	Shipping Bracket 2 Req. (Field Installed)
22.	620060224	620060224	Carton, Elevation 22 Inch
23.	620060145	620060145	Corner Post (Each), Elevation, (4 Required)
24.	620060150	620060150	Pop Rivets Not Shown (Package of 10)

# WATER SYSTEM PART LIST

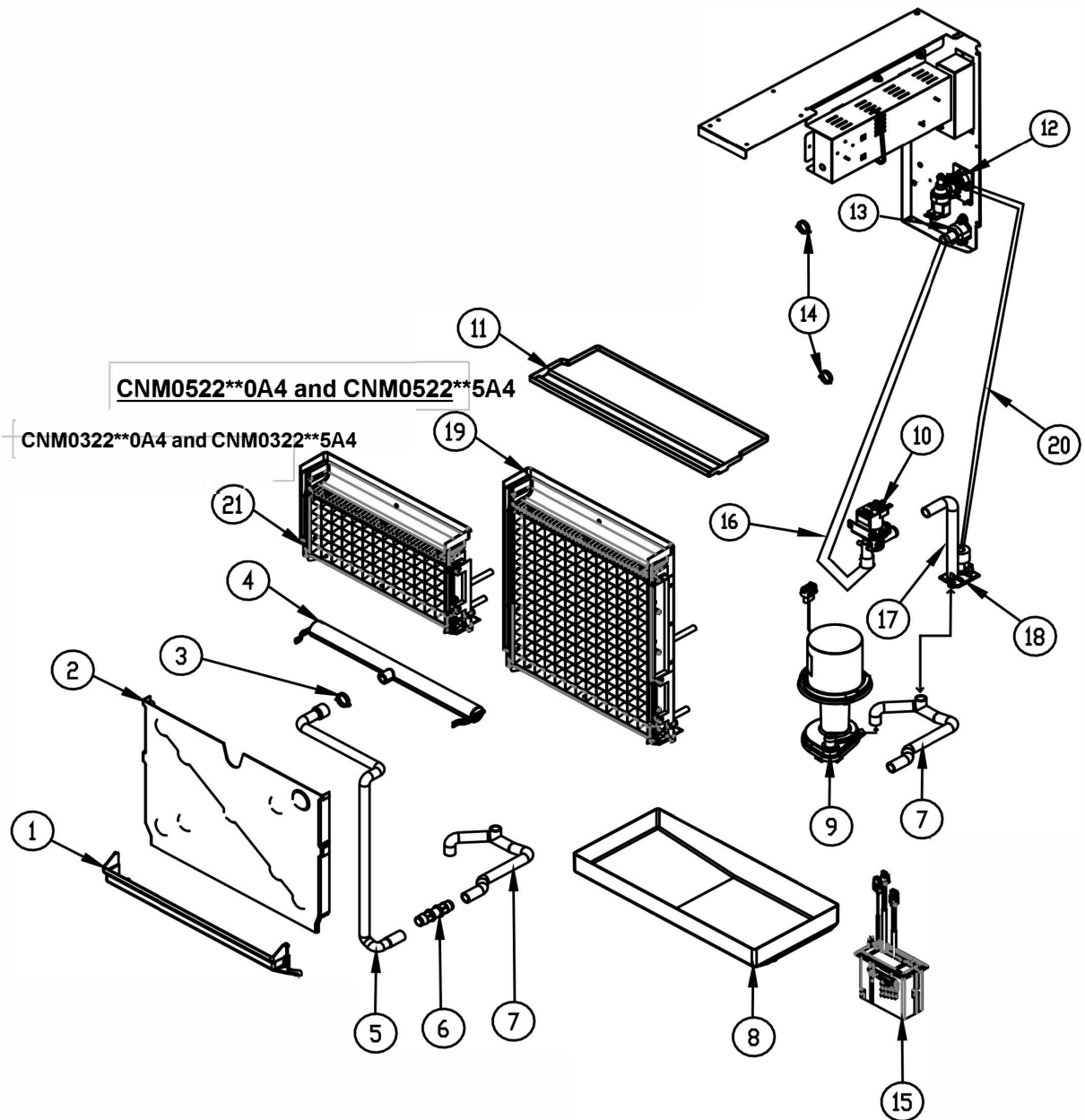


Figure 2.

The Model Number of the machine has a designator for the Cube Size:

<b>Example:</b>	CNM0322AF0	F = Full Cube	Cube Size = 7/8 x 7/8 x 7/8
	CNM0322AH0	H = Half Cube	Cube Size = 3/8 x 7/8 x 7/8

NOTE: \* = Represent Condenser type and Cube Size Refer page 1 for Details

Sl. No	Model		Description
	CNM0322**0A4	CNM0522**0A4	
	115/60/1	115/60/1	Machine Voltage
1.	620060163	620060163	Lower Curtain Assembly
2.	620060161	620060162	Evaporator Cover
3.	620204421	620204421	Hose Clamp, Plastic
4.	620060171	620060171	Water Distribution Tube Assembly
5.	620060168	620060169	Water Tube, Upper
6.	620060176	620060176	Coupler, Straight, 5/8 I.D. Tubing
7.	620060167	620060167	Water Tube, Sump
8.	620060164	620060164	Sump/Water Trough
9.	620060132S	620060132S	Water Pump
10.	620060002	620060002	Purge Valve
11.	620060165	620060165	Top Cover
12.	620060154	620060154	Water Inlet Valve
13.	620060175	620060175	Drain Fitting
14.	620204420	620204420	Hose Clamp, Plastic
15.	620060120	620060120	Float Switch Assembly (Includes Instructions)
16.	620060144	620060144	Purge Valve Tubing to Drain
17.	620060159	620060159	Purge Valve Tube to Inlet Outlet Bracket
18.	620060166	620060166	Inlet Outlet Bracket
19.		620060130	Evaporator-FULL Cube = 7/8 x 7/8 x 7/8
		620060131	Evaporator-HALF Cube = 3/8 x 7/8 x 7/8
20.	620060158	620060158	Water Inlet Valve to Inlet Outlet Bracket Tube
21.	620060128		Evaporator-FULL Cube = 7/8 x 7/8 x 7/8
	620060129		Evaporator-HALF Cube = 3/8 x 7/8 x 7/8

NOTE: \* = Represent Condenser type and Cube Size Refer page 1 for Details.

220-240/50/1 Machine Voltage			
Item No.	Model Number		Description
	CNM0322**5A4	CNM0522**5A4	
1.	<a href="#">620060163</a>	<a href="#">620060163</a>	Lower Curtain Assembly
2.	<a href="#">620060161</a>	<a href="#">620060162</a>	Evaporator Cover
3.	<a href="#">620204421</a>	<a href="#">620204421</a>	Hose Clamp, Plastic
4.	<a href="#">620060171</a>	<a href="#">620060171</a>	Water Distribution Tube Assembly
5.	<a href="#">620060168</a>	<a href="#">620060169</a>	Water Tube, Upper
6.	<a href="#">620060176</a>	<a href="#">620060176</a>	Coupler, Straight, 5/8 I.D. Tubing
7.	<a href="#">620060167</a>	<a href="#">620060167</a>	Water Tube, Sump
8.	<a href="#">620060164</a>	<a href="#">620060164</a>	Sump/Water Trough
9.	<a href="#">620060133S</a>	<a href="#">620060133S</a>	Water Pump
10.	<a href="#">620060003</a>	<a href="#">620060003</a>	Purge Valve
11.	<a href="#">620060165</a>	<a href="#">620060165</a>	Top Cover
12.	<a href="#">620060155</a>	<a href="#">620060155</a>	Water Inlet Valve
13.	<a href="#">620060175</a>	<a href="#">620060175</a>	Drain Fitting
14.	<a href="#">620204420</a>	<a href="#">620204420</a>	Hose Clamp, Plastic
15.	<a href="#">620060120</a>	<a href="#">620060120</a>	Float Switch Assembly (Includes Instructions)
16.	<a href="#">620060144</a>	<a href="#">620060144</a>	Purge Valve Tubing to Drain
17.	<a href="#">620060159</a>	<a href="#">620060159</a>	Purge Valve Tube to Inlet Outlet Bracket
18.	<a href="#">620060166</a>	<a href="#">620060166</a>	Inlet Outlet Bracket
19.		<a href="#">620060130</a>	Evaporator-FULL Cube = 7/8 x 7/8 x 7/8
		<a href="#">620060131</a>	Evaporator-HALF Cube = 3/8 x 7/8 x 7/8
20.	<a href="#">620060158</a>	<a href="#">620060158</a>	Water Inlet Valve to Inlet Outlet Bracket Tube
21.	<a href="#">620060128</a>		Evaporator-FULL Cube = 7/8 x 7/8 x 7/8
	<a href="#">620060129</a>		Evaporator-HALF Cube = 3/8 x 7/8 x 7/8

# AIR COOLED PART LIST

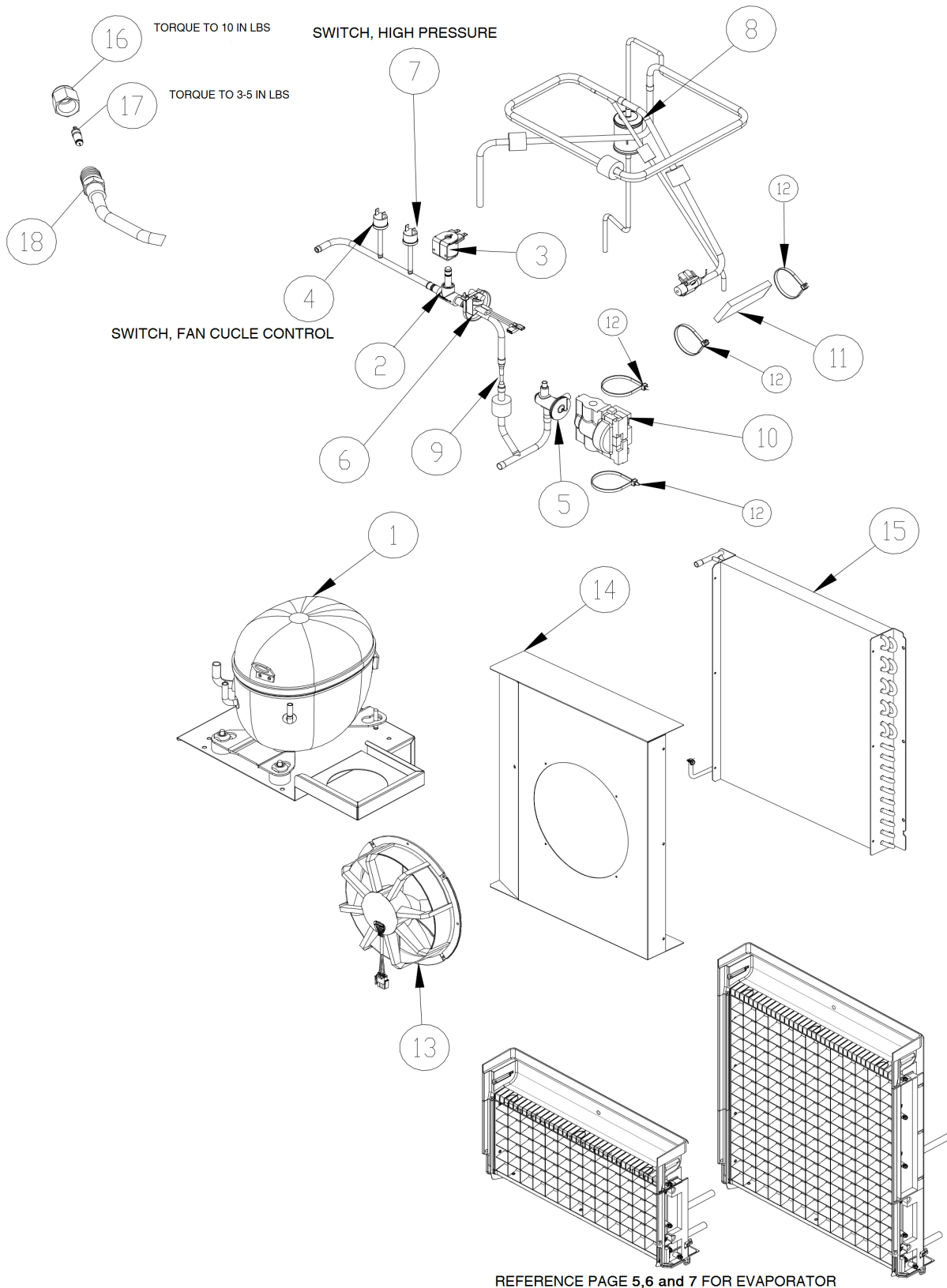


Figure 3.

NOTE: \* = Cube Size Refer page 1 for more details.

Item No.	Model Number		Description
	CNM0322A*0A4	CNM0522A*0A4	
	115/60/1	115/60/1	<b>Machine Voltage</b>
1.	<a href="#">620060206</a>	<a href="#">620060202</a>	Compressor Kit
2.	<a href="#">620060186</a>	<a href="#">620060184</a>	Hot Gas Valve Body
3.	<a href="#">620060187</a>	<a href="#">620060187</a>	Hot Gas Valve Coil
4.	<a href="#">620060153</a>	<a href="#">620060153</a>	Switch, Fan Cycle
5.	<a href="#">620204920</a>	<a href="#">620204628</a>	TXV
6.	<a href="#">620060152</a>	<a href="#">620060152</a>	High Temp Switch
7.	<a href="#">620060156</a>	<a href="#">620060156</a>	Switch, High Pressure
8.	<a href="#">620204951</a>	<a href="#">620204951</a>	Drier (Included in Compressor Kit)
9.	<a href="#">620060177</a>	<a href="#">620060177</a>	Restrictor
10.	<a href="#">620060179</a>	<a href="#">620060179</a>	Insulation, TXV
11.	<a href="#">620060178</a>	<a href="#">620060178</a>	Insulation, Bulb
12.	<a href="#">620060149</a>	<a href="#">620060149</a>	Cable Tie-For TXV and Bulb Insulation
13.	<a href="#">620060189</a>	<a href="#">620060189</a>	Fan Motor Assembly
14.	<a href="#">620060139</a>	<a href="#">620060139</a>	Fan Shroud
15.	<a href="#">620060180</a>	<a href="#">620060180</a>	Condenser
16.	<a href="#">620204535</a>	<a href="#">620204535</a>	Service Valve Cap
17.	<a href="#">620204534</a>	<a href="#">620204534</a>	Service Valve Core
18.	<a href="#">620060174</a>	<a href="#">620060174</a>	Service Valve Stem
	<b>CNM0330A*0A4</b>	<b>CNM0522A*0A4</b>	<b>Starting Components (Included in Comp Kit)</b>
	<a href="#">620060206</a>	<a href="#">620060202</a>	Compressor Kit
	<a href="#">620204989</a>	<a href="#">620204989</a>	Start Capacitor
	<a href="#">620204990</a>	<a href="#">620204990</a>	Run Capacitor
	<a href="#">620060200</a>	<a href="#">620204679</a>	Compressor Relay
	<a href="#">620060193</a>	<a href="#">620204993</a>	Overload



NOTE: \* = Cube Size Refer Page 1 for more details.

220-240/50/1 Machine Voltage			
	Model Number		Description
	CNM0322A*5A4	CNM0522A*5A4	
1.	<a href="#">620060208</a>	<a href="#">620060209</a>	Compressor Kit
2.	<a href="#">620060186</a>	<a href="#">620060184</a>	Hot Gas Valve Body
3.	<a href="#">620060188</a>	<a href="#">620060188</a>	Hot Gas Valve Coil
4.	<a href="#">620060153</a>	<a href="#">620060153</a>	Switch, Fan Cycle
5.	<a href="#">620204920</a>	<a href="#">620204628</a>	TXV
6.	<a href="#">620060152</a>	<a href="#">620060152</a>	High Temp Switch
7.	<a href="#">620060156</a>	<a href="#">620060156</a>	Switch, High Pressure
8.	<a href="#">620204951</a>	<a href="#">620204951</a>	Drier (Included in Compressor Kit)
9.	<a href="#">620060177</a>	<a href="#">620060177</a>	Restrictor
10.	<a href="#">620060179</a>	<a href="#">620060179</a>	Insulation, TXV
11.	<a href="#">620060178</a>	<a href="#">620060178</a>	Insulation, Bulb
12.	<a href="#">620060149</a>	<a href="#">620060149</a>	Cable Tie-For TXV and Bulb Insulation
13.	<a href="#">620060190</a>	<a href="#">620060190</a>	Fan Motor Assembly
14.	<a href="#">620060139</a>	<a href="#">620060139</a>	Fan Shroud
15.	<a href="#">620060180</a>	<a href="#">620060180</a>	Condenser
16.	<a href="#">620204535</a>	<a href="#">620204535</a>	Service Valve Cap
17.	<a href="#">620204534</a>	<a href="#">620204534</a>	Service Valve Core
18.	<a href="#">620060174</a>	<a href="#">620060174</a>	Service Valve Stem

CNM0322A*5A4	CNM0522A*5A4	Starting Components (Included in Comp Kit)
<a href="#">620060208</a>	<a href="#">620060209</a>	Compressor Kit
<a href="#">620204998</a>	<a href="#">620204654</a>	Start Capacitor
<a href="#">620060197</a>	<a href="#">620060198</a>	Run Capacitor
<a href="#">620204994</a>	<a href="#">620060201</a>	Compressor Relay
<a href="#">620060194</a>	<a href="#">620060195</a>	Overload

# WATER COOLED PART LIST

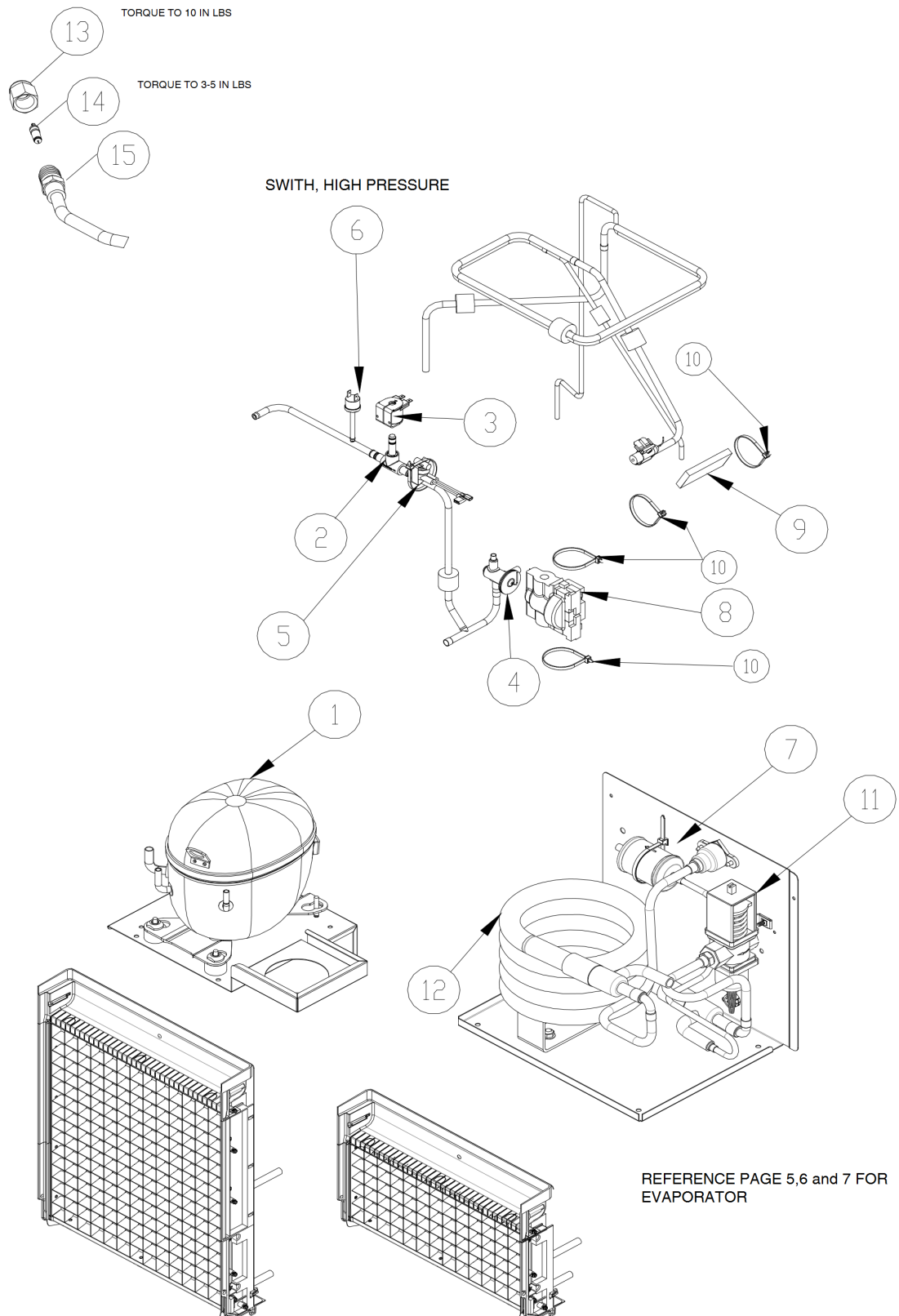


Figure 4.



NOTE: \* = Cube Size Refer Page 1 for more details.

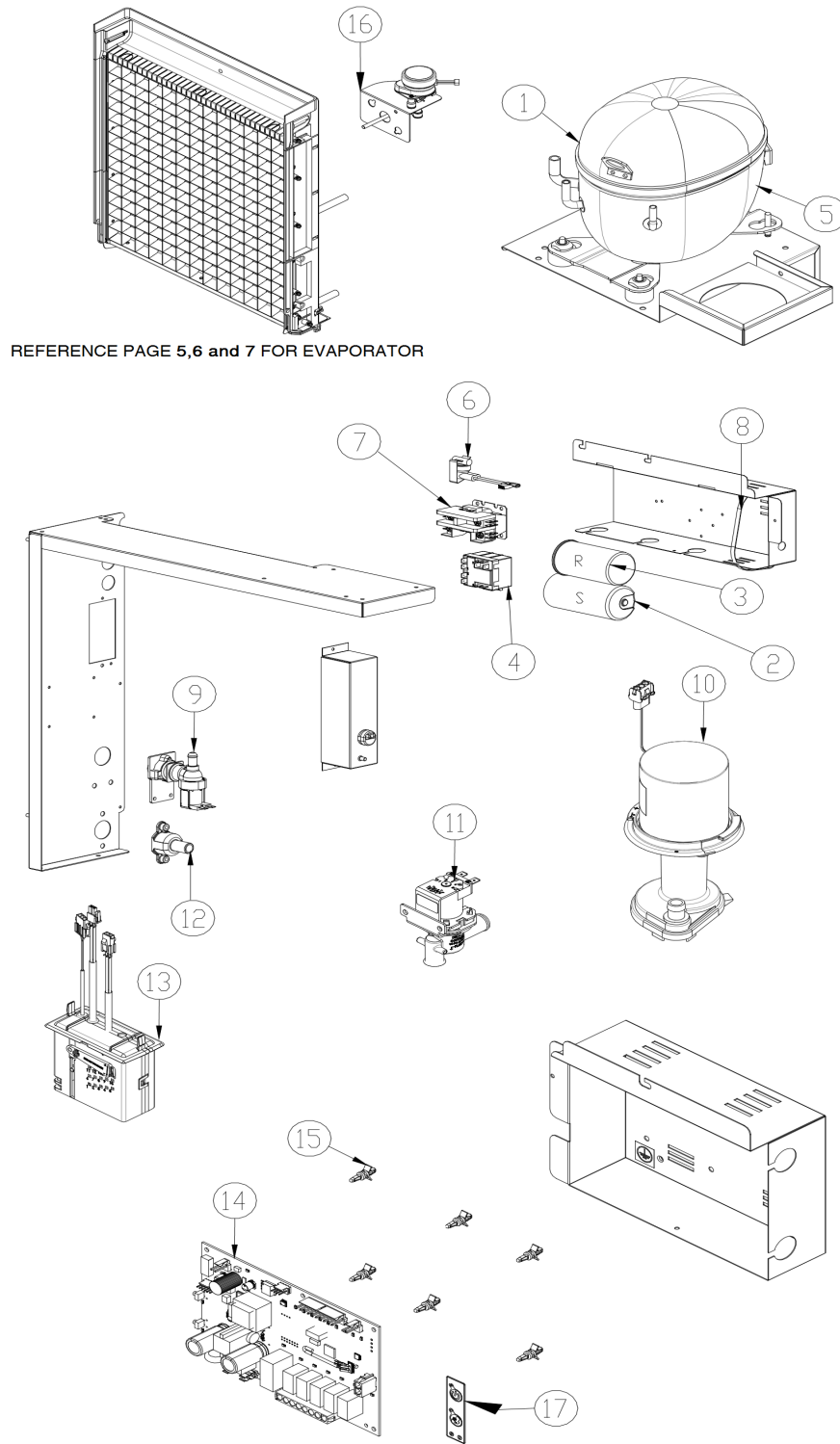
Item No.	Model		Description
	CNM0322W*0A4	CNM0522W*0A4	
	115/60/1	115/60/1	<b>Machine Voltage</b>
1.	<a href="#">620060206</a>	<a href="#">620060202</a>	Compressor Kit
2.	<a href="#">620060186</a>	<a href="#">620060186</a>	Hot Gas Valve Body
3.	<a href="#">620060187</a>	<a href="#">620060187</a>	Hot Gas Valve Coil
4.	<a href="#">620204920</a>	<a href="#">620204628</a>	TXV
5.	<a href="#">620060152</a>	<a href="#">620060152</a>	High Temp Switch
6.	<a href="#">620060156</a>	<a href="#">620060156</a>	Switch, High Pressure
7.	<a href="#">620204951</a>	<a href="#">620204951</a>	Drier (Included in Compressor Kit)
8.	<a href="#">620060179</a>	<a href="#">620060179</a>	Insulation, TXV
9.	<a href="#">620060178</a>	<a href="#">620060178</a>	Insulation, Bulb
10.	<a href="#">620060149</a>	<a href="#">620060149</a>	Cable Tie-For TXV and Bulb Insulation
11.	<a href="#">620060157</a>	<a href="#">620060157</a>	Water Regulator
12.	<a href="#">620060181</a>	<a href="#">620060181</a>	Condenser
13.	<a href="#">620204535</a>	<a href="#">620204535</a>	Service Valve Cap
14.	<a href="#">620204534</a>	<a href="#">620204534</a>	Service Valve Core
15.	<a href="#">620060174</a>	<a href="#">620060174</a>	Service Valve Stem

<b>CNM0322A*0A4</b>	<b>CNM0522A*0A4</b>	Starting Components (Included in Comp Kit)
<a href="#">620060206</a>	<a href="#">620060202</a>	Compressor Kit
<a href="#">620204989</a>	<a href="#">620204989</a>	Start Capacitor
<a href="#">620204990</a>	<a href="#">620204990</a>	Run Capacitor
<a href="#">620060200</a>	<a href="#">620204679</a>	Compressor Relay
<a href="#">620060193</a>	<a href="#">620204993</a>	Overload

220-240/50/1 Machine Voltage		
Item	Model	Description
	<b>CNM0522W*5A4</b>	
1.	<a href="#">620060209</a>	Compressor Kit
2.	<a href="#">620060186</a>	Hot Gas Valve Body
3.	<a href="#">620060188</a>	Hot Gas Valve Coil
4.	<a href="#">620204628</a>	TXV
5.	<a href="#">620060152</a>	High Temp Switch
6.	<a href="#">620060156</a>	Switch, High Pressure
7.	<a href="#">620204951</a>	Drier <b>(Included in Compressor Kit)</b>
8.	<a href="#">620060179</a>	Insulation, TXV
9.	<a href="#">620060178</a>	Insulation, Bulb
10.	<a href="#">620060149</a>	Cable Tie-For TXV and Bulb Insulation
11.	<a href="#">620060157</a>	Water Regulator
12.	<a href="#">620060181</a>	Condenser
13.	<a href="#">620204535</a>	Service Valve Cap
14.	<a href="#">620204534</a>	Service Valve Core
15.	<a href="#">620060174</a>	Service Valve Stem

<b>CNM0522A*5A4</b>	Starting Components (Included in Comp Kit)
<a href="#">620060209</a>	Compressor Kit
<a href="#">620204654</a>	Start Capacitor
<a href="#">620060198</a>	Run Capacitor
<a href="#">620060201</a>	Compressor Relay
<a href="#">620060195</a>	Overload

# ELECTRICAL PART LIST



REFERENCE PAGE 5,6 and 7 FOR EVAPORATOR

Figure 5.

NOTE: \* = Cube Size Refer Page 1 for more details.

Item	Model Number		Description
	CNM0322A*0A4	CNM0522A*0A4	
	115/60/1	115/60/1	Machine Voltage
1.	<a href="#">620060206</a>	<a href="#">620060202</a>	Compressor
2.	<a href="#">620204989</a>	<a href="#">620204989</a>	Start Capacitor
3.	<a href="#">620204990</a>	<a href="#">620204990</a>	Run Capacitor
4.	<a href="#">620060200</a>	<a href="#">620204679</a>	Potential Relay
5.	<a href="#">620060193</a>	<a href="#">620204993</a>	Overload
6.	<a href="#">620060152</a>	<a href="#">620060152</a>	Switch, High Temp
7.	<a href="#">620204546</a>	<a href="#">620204546</a>	Contactora
8.	<a href="#">620060196</a>	<a href="#">620060196</a>	Cable Tie, Metal
9.	<a href="#">620060154</a>	<a href="#">620060154</a>	Valve, Water Inlet
10.	<a href="#">620060132</a>	<a href="#">620060132</a>	Water Pump
11.	<a href="#">620060002</a>	<a href="#">620060002</a>	Purge Valve
12.	<a href="#">620060175</a>	<a href="#">620060175</a>	Purge Drain
13.	<a href="#">620060120</a>	<a href="#">620060120</a>	Float Switch Assembly (Includes Instructions)
14.	<a href="#">620060210</a>	<a href="#">620060210</a>	Board Dual Voltage
15.	<a href="#">620060213</a>	<a href="#">620060213</a>	Plastic Standoff, Control Board (Pkg of 10)
16.	<a href="#">620060211</a>	<a href="#">620060211</a>	Harvest Assist
17.	<a href="#">620060214</a>	<a href="#">620060214</a>	Membrane Switch (Includes Cable)

220-240/50/1 Machine Voltage			
Item No.	Model Number		Description
	CNM0322A*5A4	CNM0522A / W*5A4	
1.	<a href="#">620060208</a>	<a href="#">620060209</a>	Compressor Kit
2.	<a href="#">620204998</a>	<a href="#">620204654</a>	Start Capacitor
3.	<a href="#">620060197</a>	<a href="#">620060198</a>	Run Capacitor
4.	<a href="#">620204994</a>	<a href="#">620060201</a>	Compressor Relay
5.	<a href="#">620060194</a>	<a href="#">620060195</a>	Overload
6.	<a href="#">620060152</a>	<a href="#">620060152</a>	Switch, High Temp
7.	<a href="#">620204545</a>	<a href="#">620204545</a>	Contactora
8.	<a href="#">620060196</a>	<a href="#">620060196</a>	Cable Tie, Metal
9.	<a href="#">620060155</a>	<a href="#">620060155</a>	Valve, Water Inlet
10.	<a href="#">620060133</a>	<a href="#">620060133</a>	Water Pump
11.	<a href="#">620060003</a>	<a href="#">620060003</a>	Purge Valve
12.	<a href="#">620060175</a>	<a href="#">620060175</a>	Purge Drain
13.	<a href="#">620060120</a>	<a href="#">620060120</a>	Float Switch Assembly (Includes Instructions)
14.	<a href="#">620060210</a>	<a href="#">620060210</a>	BoardDual Voltage
15.	<a href="#">620060213</a>	<a href="#">620060213</a>	Plastic Standoff, Control Board (Pkg of 10)
16.	<a href="#">620060212</a>	<a href="#">620060212</a>	Harvest Assist
17.	<a href="#">620060214</a>	<a href="#">620060214</a>	Membrane Switch (Includes Cable)





