



ILLUSTRATED PARTS LIST VISUAL MERCHANDISER

COR23VM EXPLODED VIEW

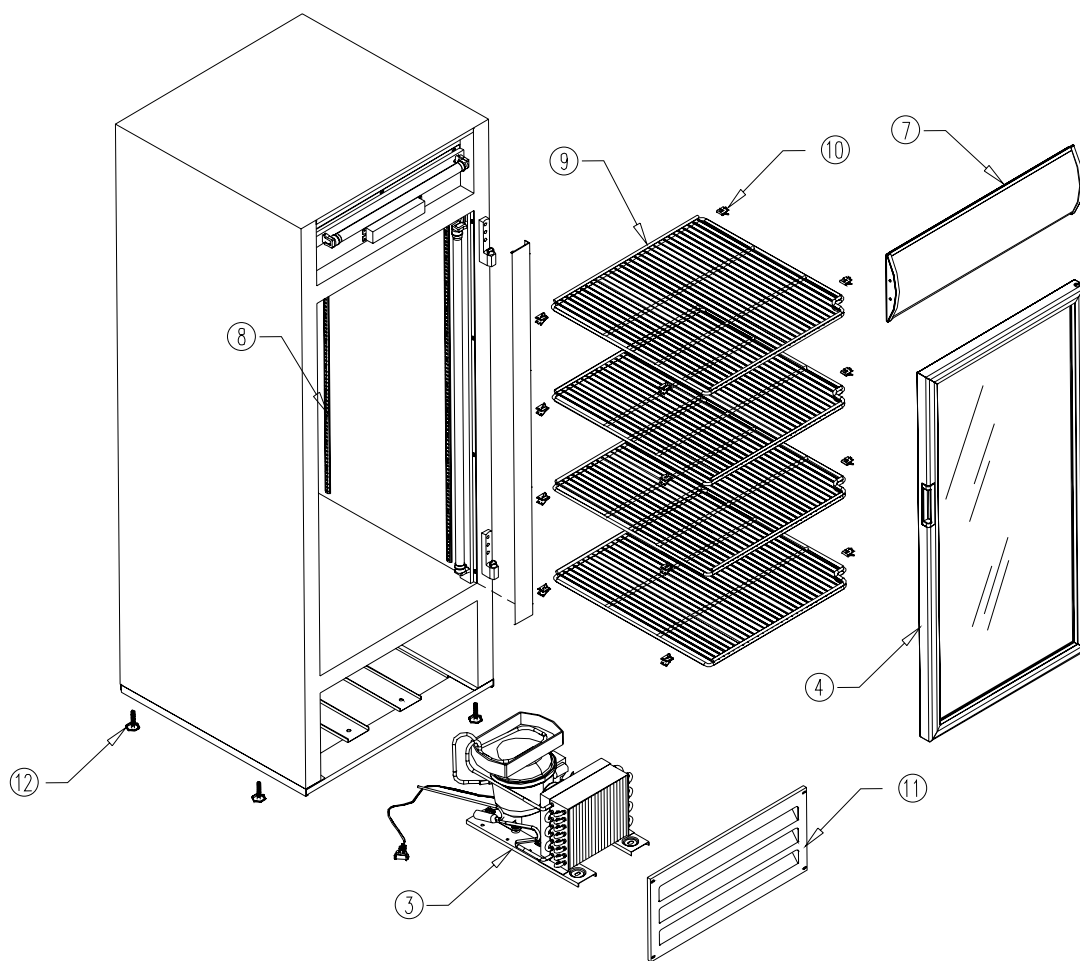


FIGURE 1

Item No.	Part No.	Name
3	FIGURE 3	Condensing unit 1/3 HP 115V/60Hz
4	1034912	Swing door system
7	1034915	Header sign
8	1034919	Pilaster 48"

Item No.	Part No.	Name
9	1034920	Flat shelf
10	1033450	Shelf clips
11	1034921	Front grill
12	1033235	Leveling legs



COR23VM

REFRIGERATION SYSTEM

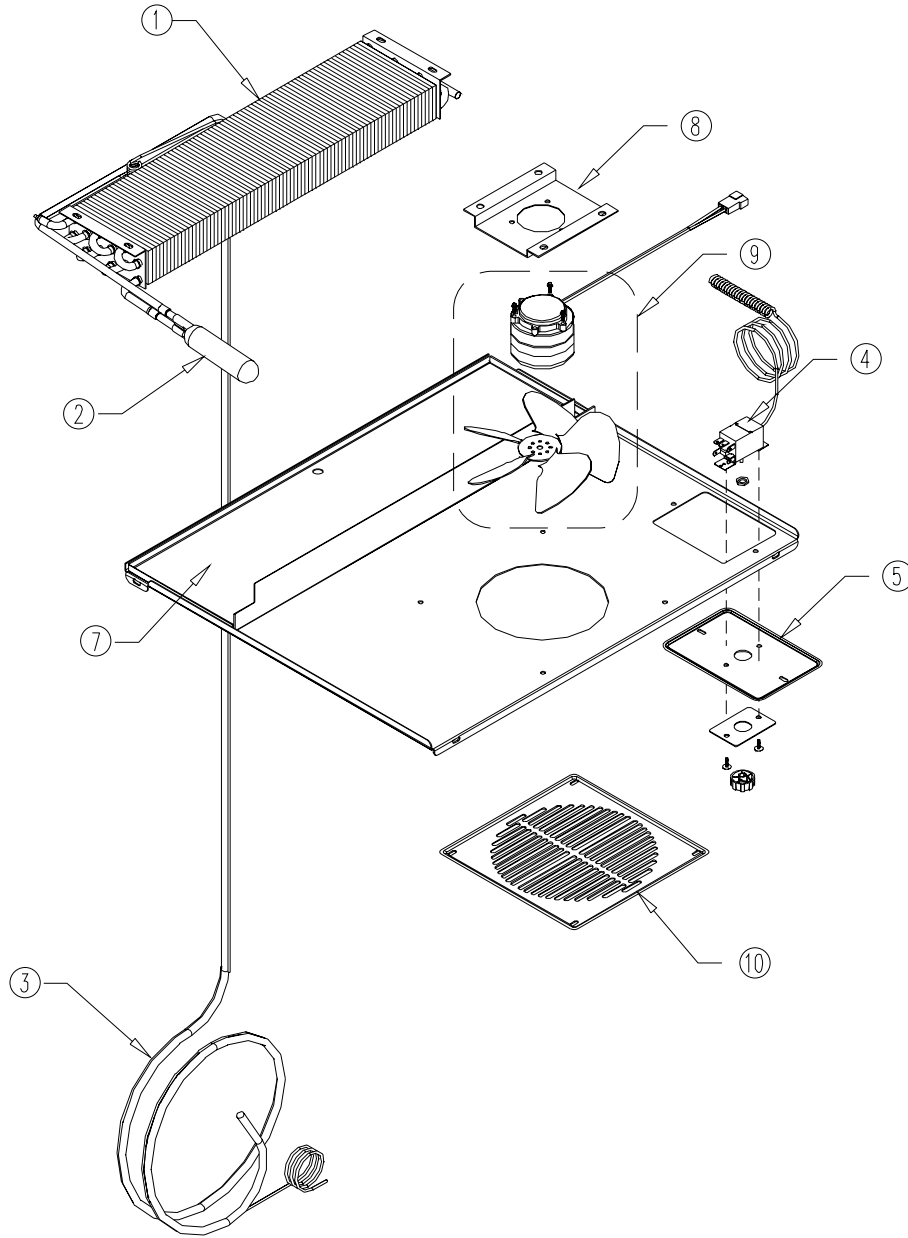


FIGURE 2

Item No.	Part No.	Name
1	1034884	Evaporator
2	1033243	Accumulator
3	1035391	Heat exchanger
4	1036811	Thermostat
5	1037644	Thermostat bracket

Item No.	Part No.	Name
7	1034902	Evaporator pan
8	1033245	Fan motor bracket
9	1034855	Fan motor and blade
10	1033247	Fan guard

COR23VM

CONDENSING UNIT ASSEMBLY AND ITS COMPONENTS

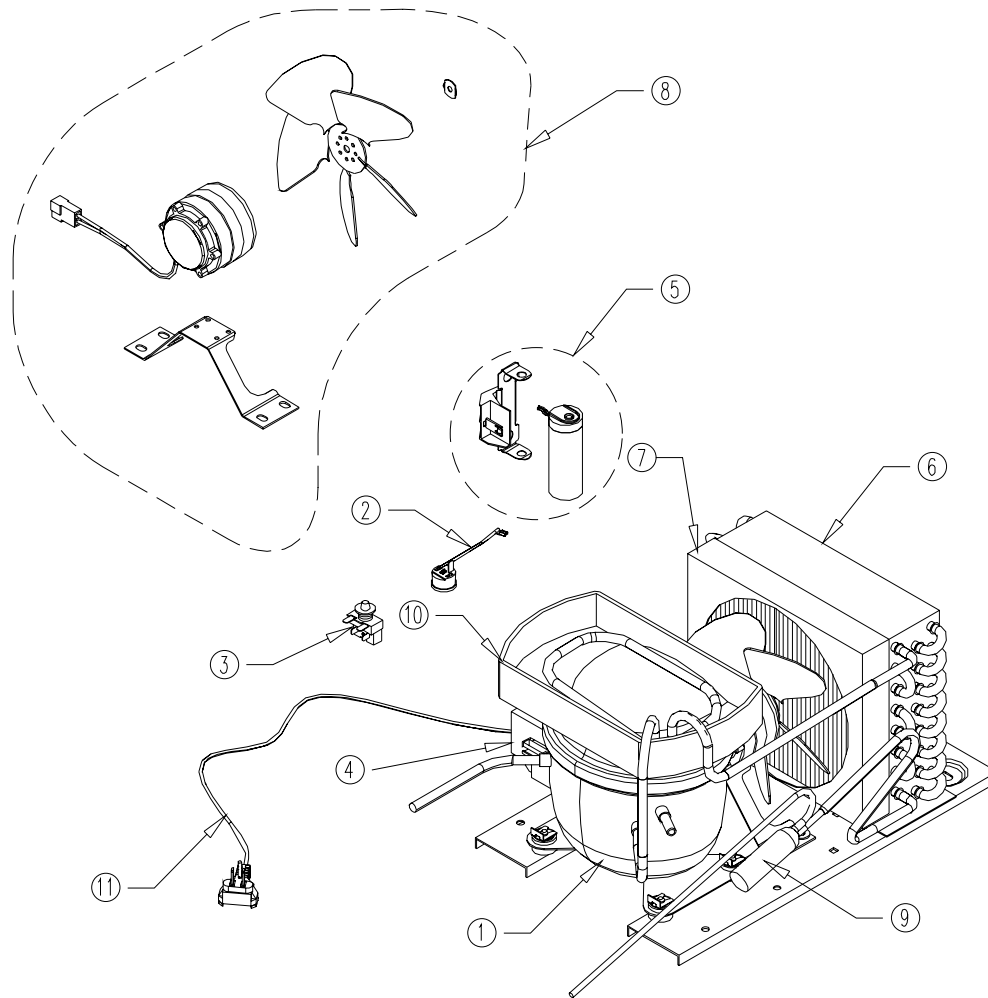


FIGURE 3

Item No.	Part No.	Name
1	1034904	Compressor 1/3 HP 115V/60H
2	1034906	Overload protector MRT26ADK-5590
3	1034908	Relay 213516051
4	1034909	Electrical box
5	1034910	Start capacitor 378-454 μF

Item No.	Part No.	Name
6	1034911	Condenser
7	1034883	Condenser shroud
8	1034855	Condenser fan motor and blade
9	1033253	Drier
10	1033254	Compressor evaporation tray
11	1033255	Power cord

COR23VM

SWING DOOR ASSEMBLY AND ITS COMPONENTS

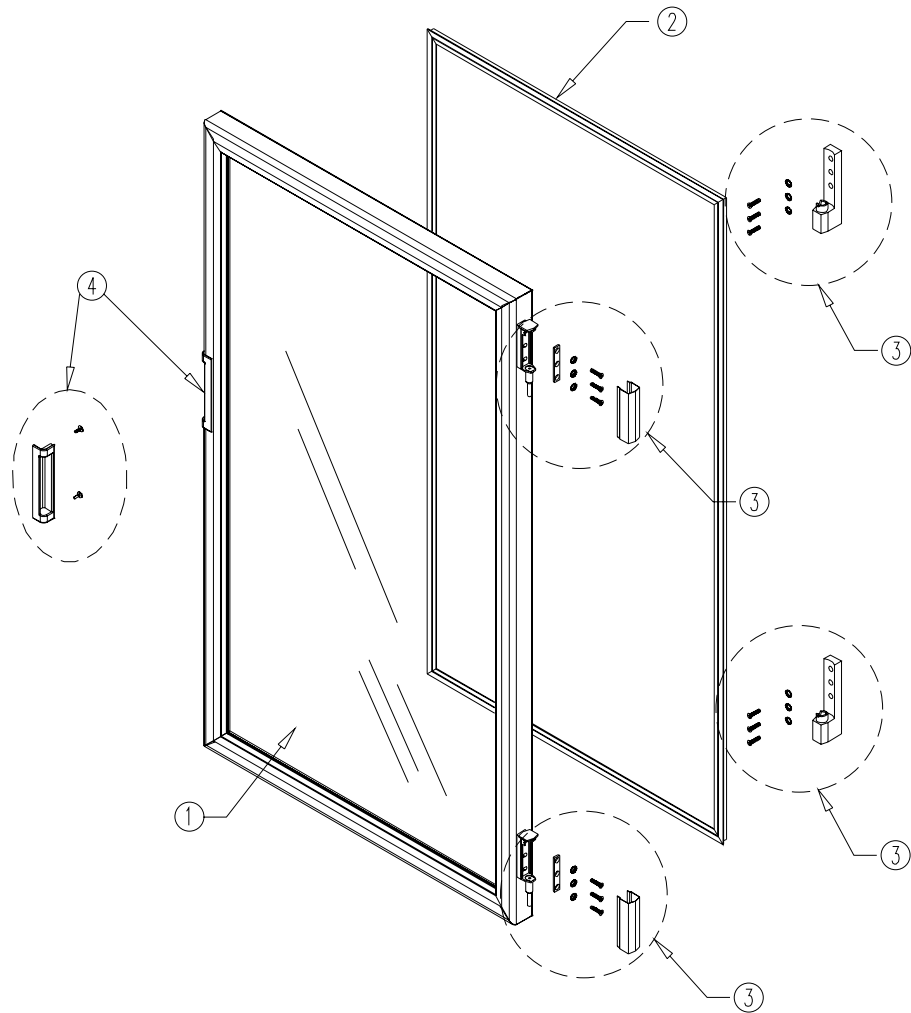


FIGURE 4

Item No.	Part No.	Name
	1034912	Complete door
1	1034913	Glass pane
2	1034914	Magnetic gasket

Item No.	Part No.	Name
3	1034891	Hinge assembly
4	1033237	Complete door handle

COR23VM

INTERIOR AND SIGN LIGHTING SYSTEM ASSEMBLY AND ITS COMPONENTS

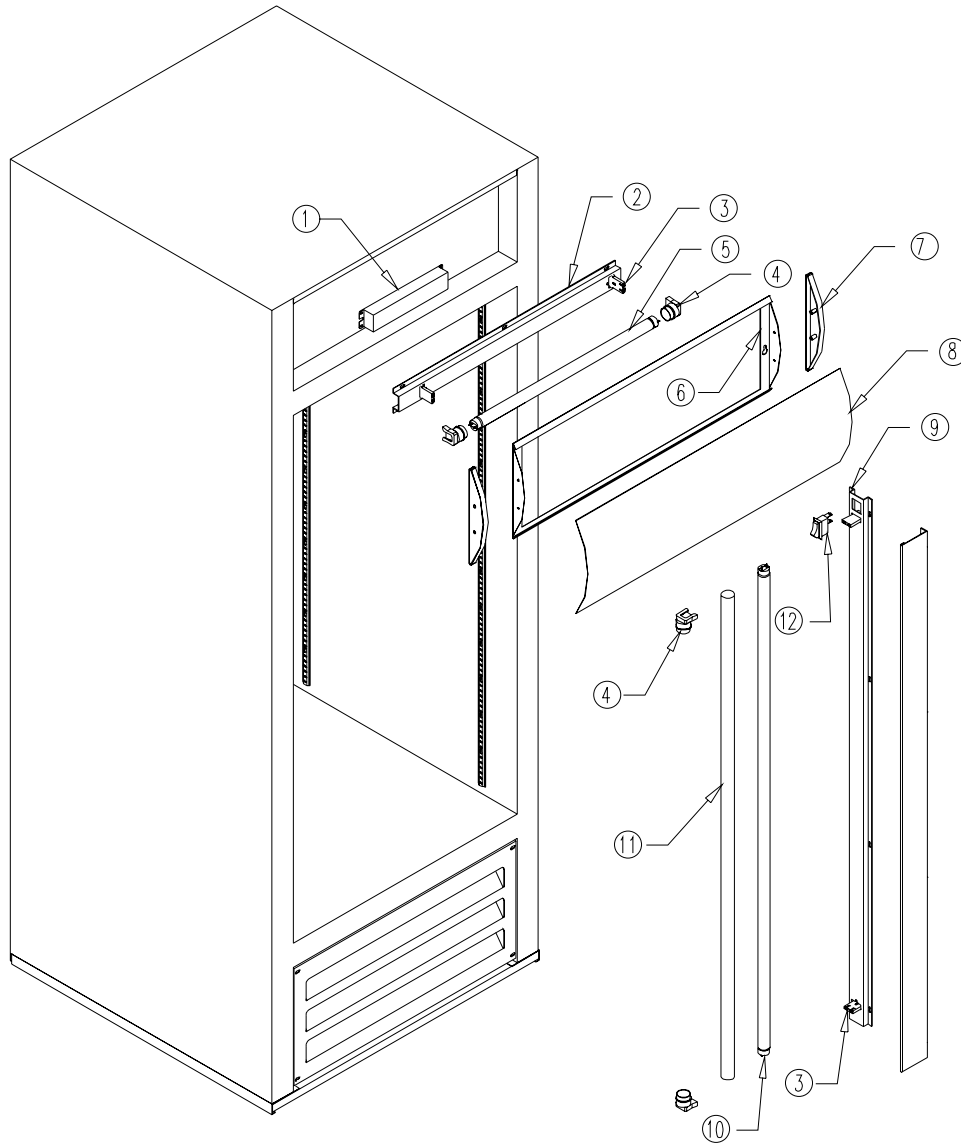


FIGURE 5

Item No.	Part No.	Name
1	1034893	Ballast Quicktronic QT2x32 T8/120
2	1034894	Lamp
3	1033256	Lampholder
4	1033257	Lampholder cap
5	1035399	Fluorescent tube T8 FO17/865/XP/ECO
6	1034895	Sign frame

Item No.	Part No.	Name
7	1034896	Plastic sign ends
8	1034916	Acrylic sign
9	1034917	Interior lamp
10	1035400	Fluorescent tube T8 FO32/865/SP/ECO
11	1034918	Light shield
12	1034886	Light switch