



ILLUSTRATED PARTS LIST REACH-IN REFRIGERATOR

COR49RRBMD EXPLODED VIEW

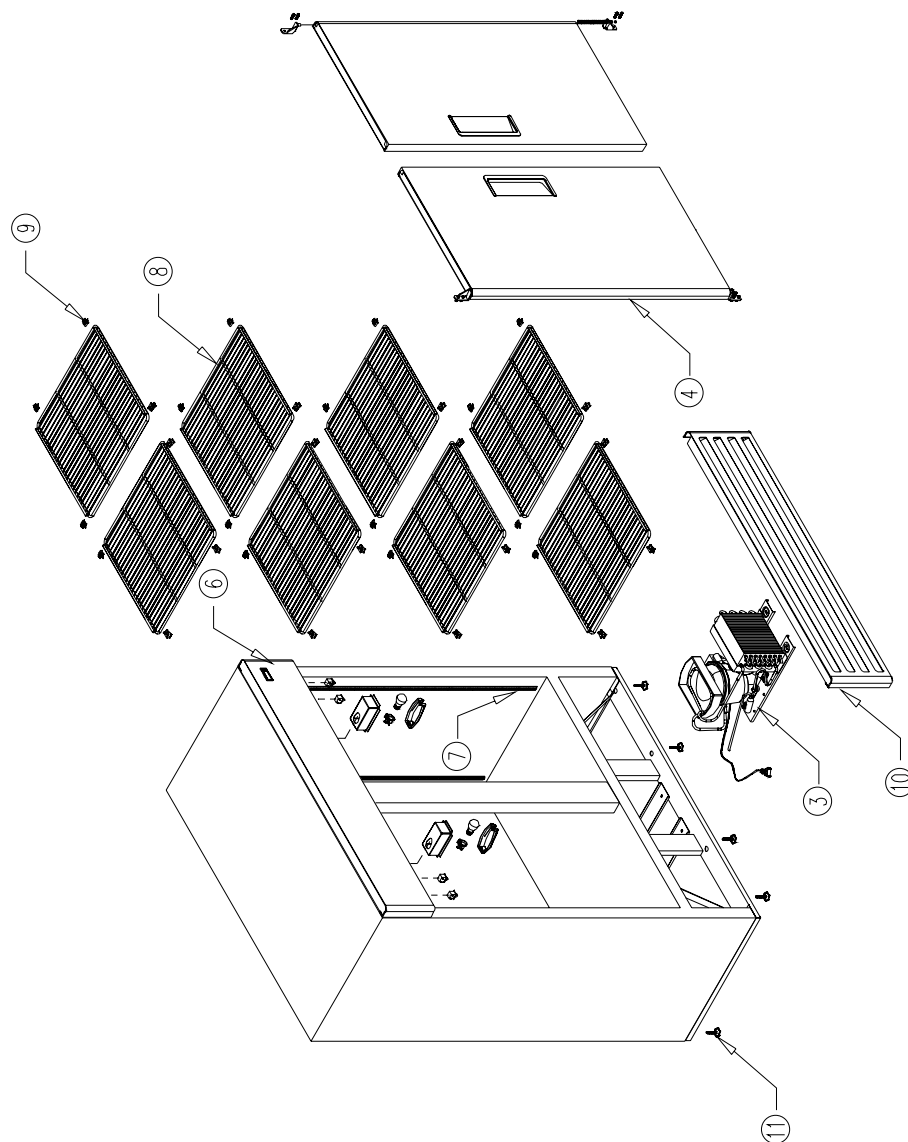


FIGURE 1

Item No.	Part No.	Name
3	Figure 3	Condensing unit 1/3 HP 115V/60Hz
4	1034995	Swing door system
6	1034997	Front panel
7	1034919	Pilaster 48"

Item No.	Part No.	Name
8	1034998	Flat shelf
9	1033450	Shelf clips
10	1034999	Front grill
11	1033235	Leveling legs



COR49RRBMD

REFRIGERATION SYSTEM

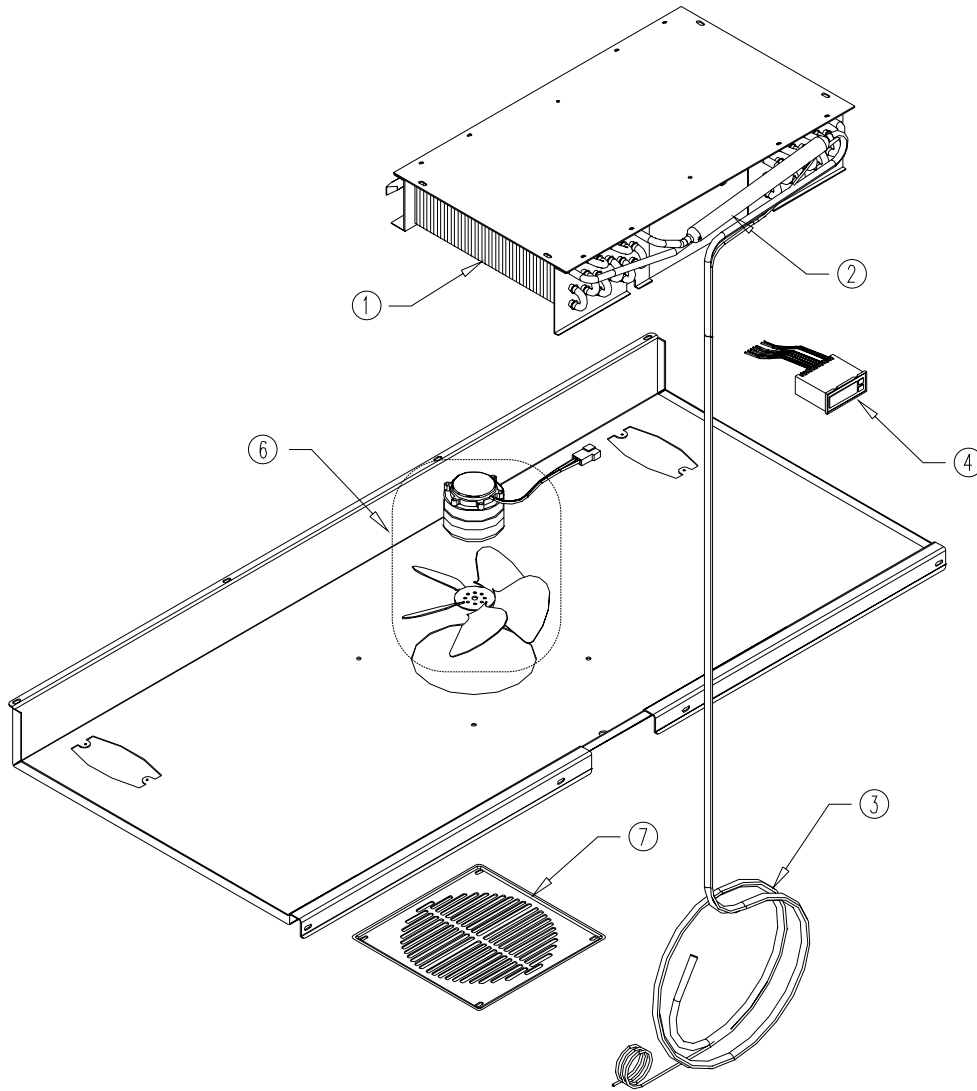


FIGURE 2

Item No.	Part No.	Name
1	1034923	Evaporator
2	1034924	Accumulator
3	1035392	Heat exchanger

Item No.	Part No.	Name
4	1034965	Electronic thermostat
6	1034855	Fan motor and blade
7	1033247	Fan guard



COR49RRBMD

CONDENSING UNIT ASSEMBLY AND ITS COMPONENTS

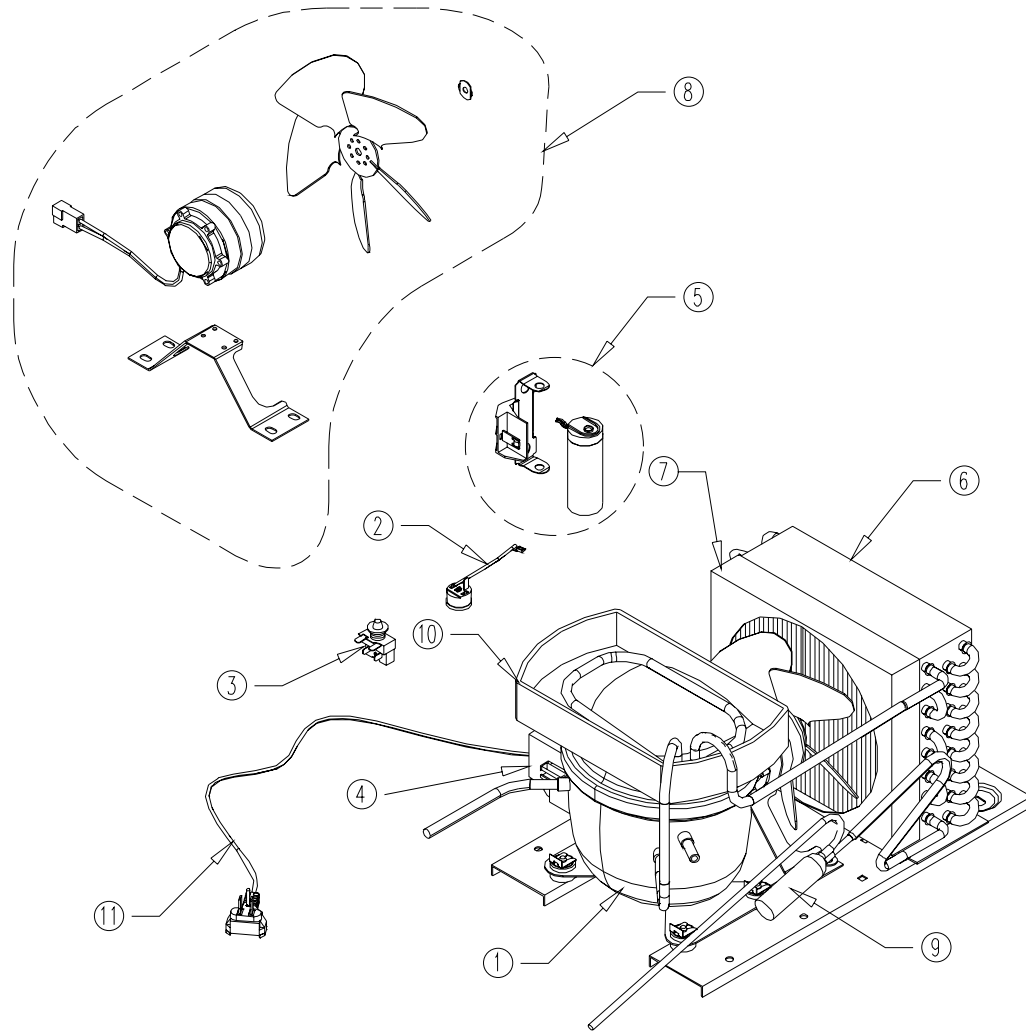


FIGURE 3

Item No.	Part No.	Name
		Complete unit 1/3 HP 115V/60Hz
1	1034904	Compressor 1/3 HP 115V/60Hz
2	1034906	Overload protector MRT26ADK-5590
3	1034908	Relay 213516051
4	1034909	Electrical box

Item No.	Part No.	Name
5	1034910	Start capacitor 378-454 μ F
6	1034911	Condenser
7	1034883	Condenser shroud
8	1034855	Condenser fan motor and blade
9	1033253	Drier
10	1033254	Compressor evaporation tray
11	1033255	Power cord

COR49RRBMD

SWING DOOR ASSEMBLY AND ITS COMPONENTS

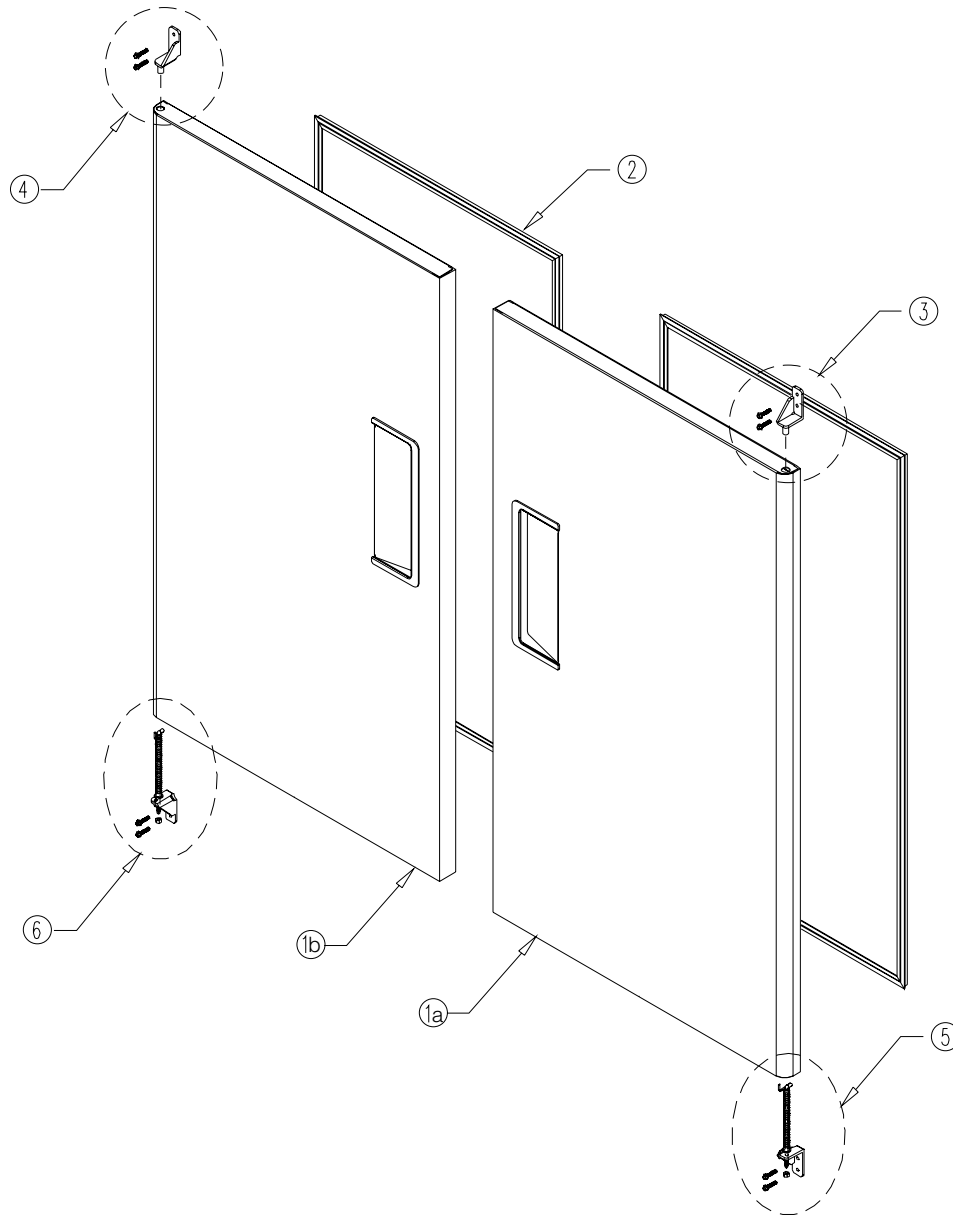


FIGURE 4

Item No.	Part No.	Name
1a	1034995	Complete door - Right
1b	1041224	Complete door - Left
2	1034968	Magnetic gasket
3	1034969	Right upper hinge assembly

Item No.	Part No.	Name
4	1034992	Left upper hinge assembly
5	1033222	Right lower hinge assembly
6	1034993	Left lower hinge assembly



COR49RRBMD

INTERIOR LIGHTING SYSTEM ASSEMBLY AND ITS COMPONENTS

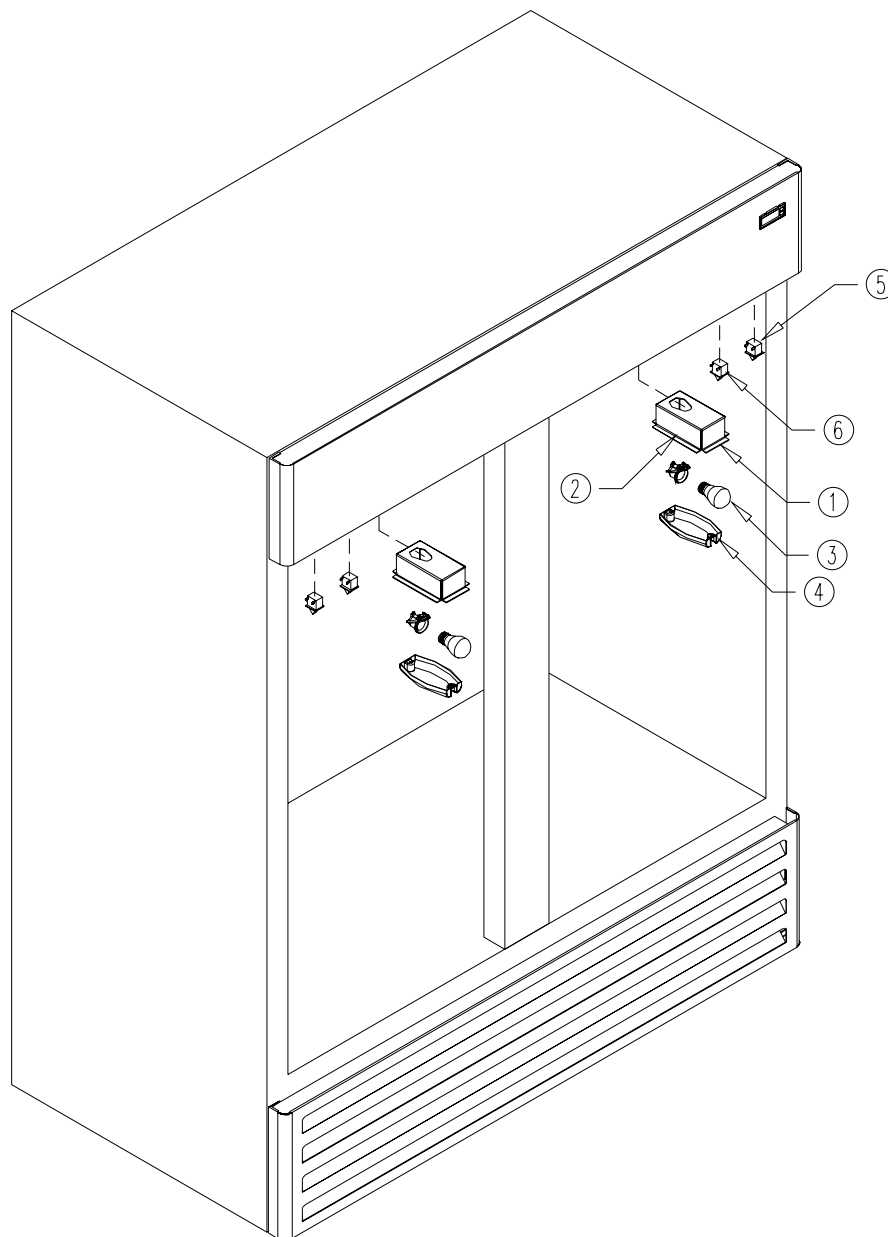


FIGURE 5

Item No.	Part No.	Name
1	1034971	Bulb bracket
2	1034972	Bulb socket
3	1035398	Bulb 25 watts

Item No.	Part No.	Name
4	1034973	Bulb guard
5	1034974	Evaporator fan motor switch
6	1034975	Interior light switch