



ILLUSTRATED PARTS LIST VISUAL MERCHANDISER

COR65VMT EXPLODED VIEW

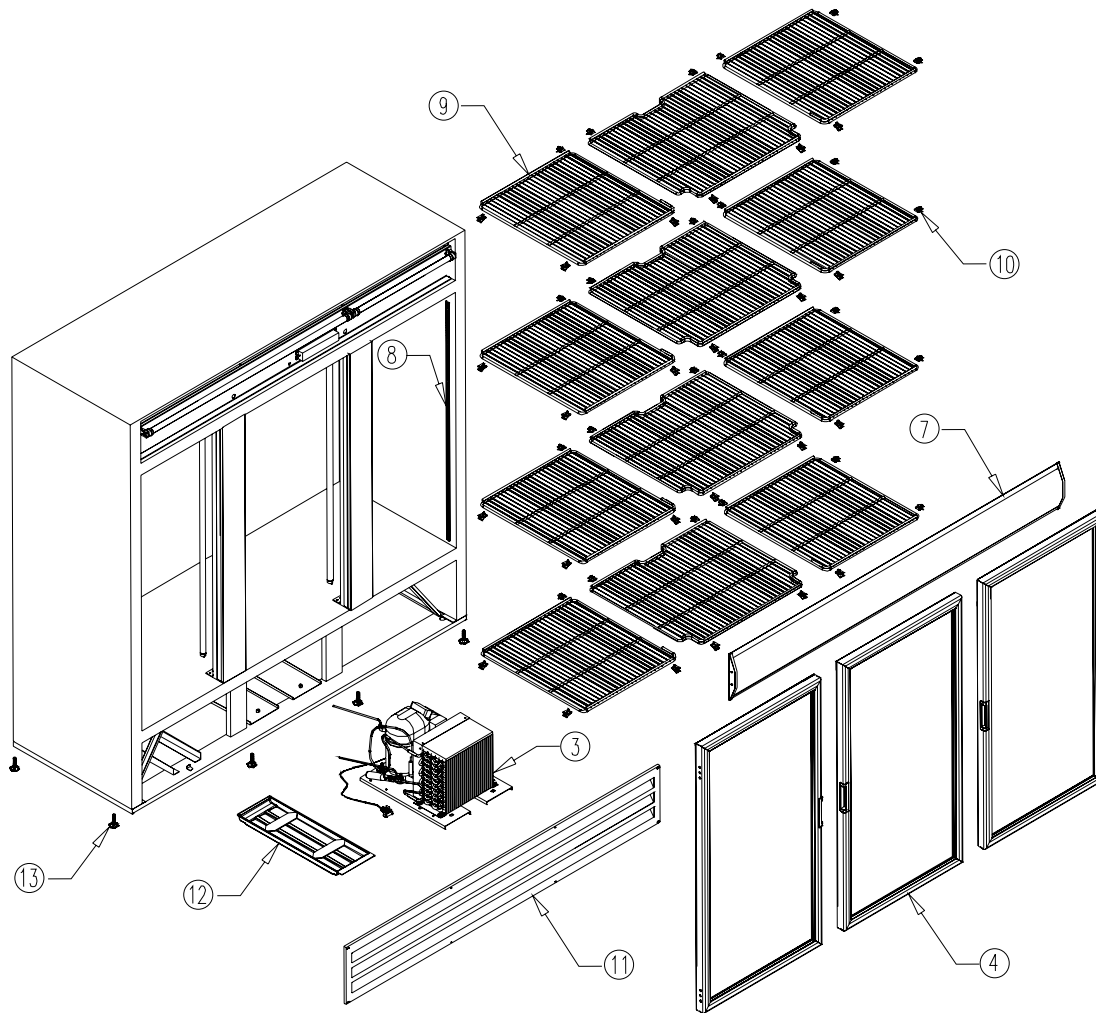


FIGURE 1

Item No.	Part No.	Name
3	FIGURE 3	Condensing unit 3/4 HP 115V/60Hz
4	FIGURE 4	Swing door system
7	1034954	Header sign
8	1034919	Pilaster 48"
9	1034961	Right shelf
	1034962	Left shelf
	1034963	Middle shelf

Item No.	Part No.	Name
10	1033450	Shelf clips
11	1034964	Front grill
12	1034942	Water pan
13	1033235	Leveling legs

COR65VMT

REFRIGERATION SYSTEM

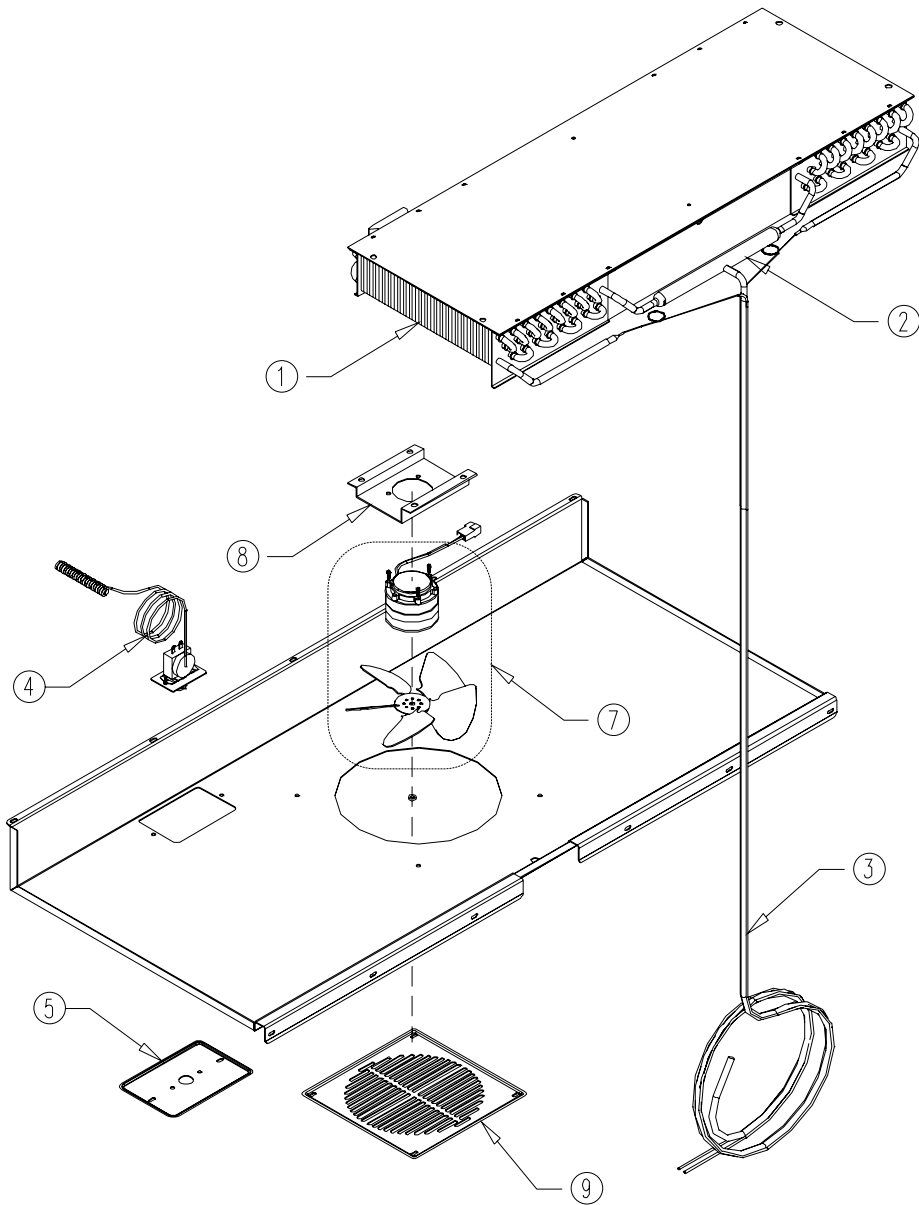


FIGURE 2

Item No.	Part No.	Name
1	1034943	Evaporator
2	1034924	Accumulator
3	1035393	Heat exchanger
4	1034925	Thermostat
5	1037647	Thermostat bracket

Item No.	Part No.	Name
7	1034945	Fan motor and blade
8	1035394	Fan motor bracket
9	1035395	Fan guard

COR65VMT

CONDENSING UNIT ASSEMBLY AND ITS COMPONENTS

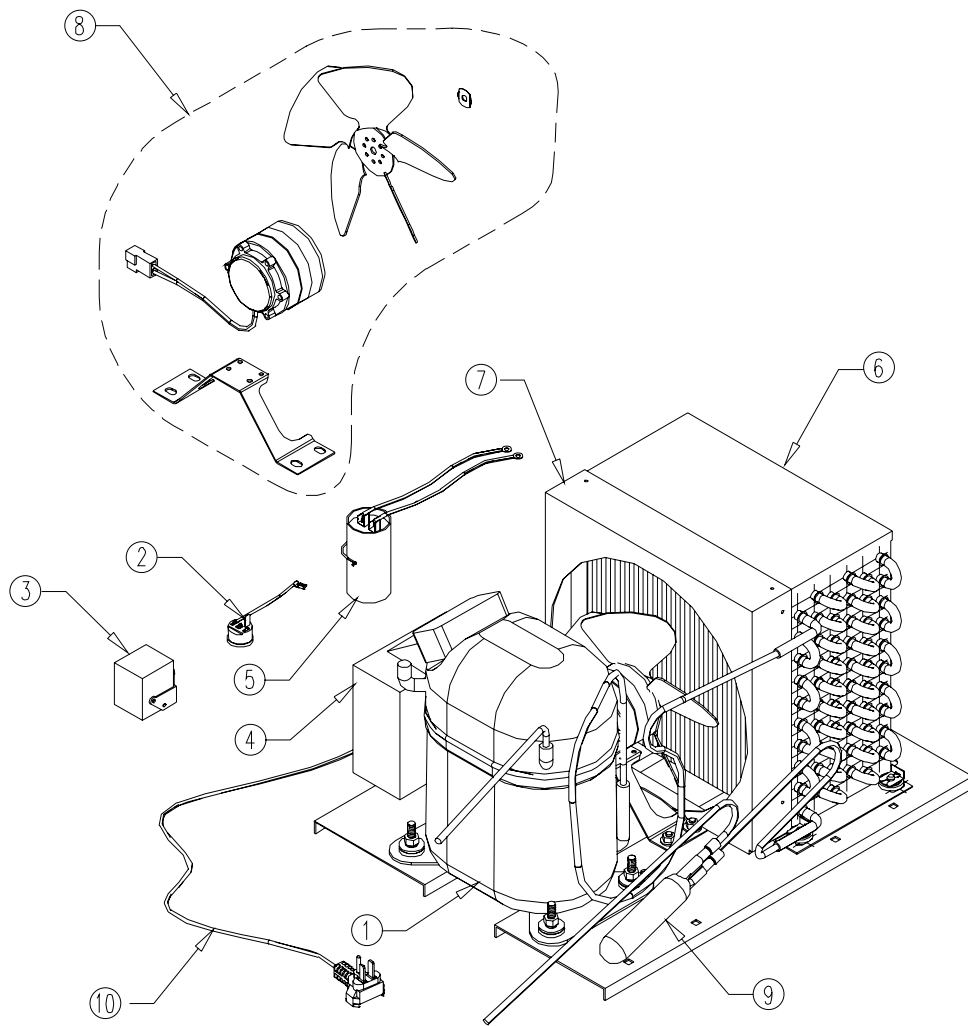


FIGURE 3

Item No.	Part No.	Name
1	1034946	Compressor 3/4 HP 115V/60H
2	1034947	Overload protector CST00AGSF
3	1034948	Relay 3ARR3B2L3
4	1034949	Electrical box

Item No.	Part No.	Name
5	1034950	Start capacitor 340-408 μ F
6	1034931	Condenser
7	1034932	Condenser shroud
8	1034933	Condenser fan motor and blade
9	1033253	Drier
10	1033255	Power cord

COR65VMT

SWING DOOR ASSEMBLY AND ITS COMPONENTS

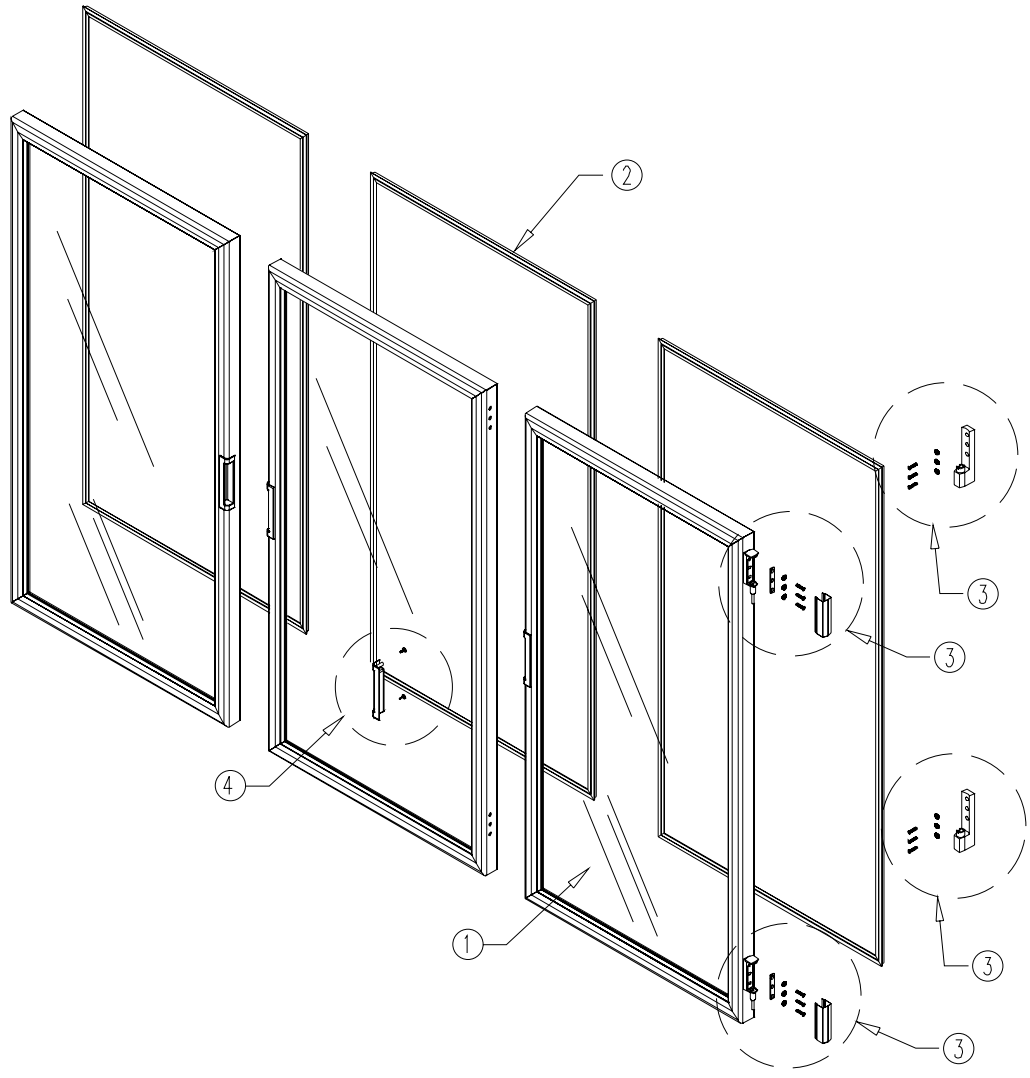


FIGURE 4

Item No.	Part No.	Name
	1034951	Complete door - Left
	1041441	Complete door - Right
	1041440	Complete door - Center
1	1034952	Glass pane
2	1034953	Magnetic gasket

Item No.	Part No.	Name
3	1034891	Hinge assembly
4	1033237	Complete door handle



COR65VMT

INTERIOR AND SIGN LIGHTING SYSTEM ASSEMBLY AND ITS COMPONENTS

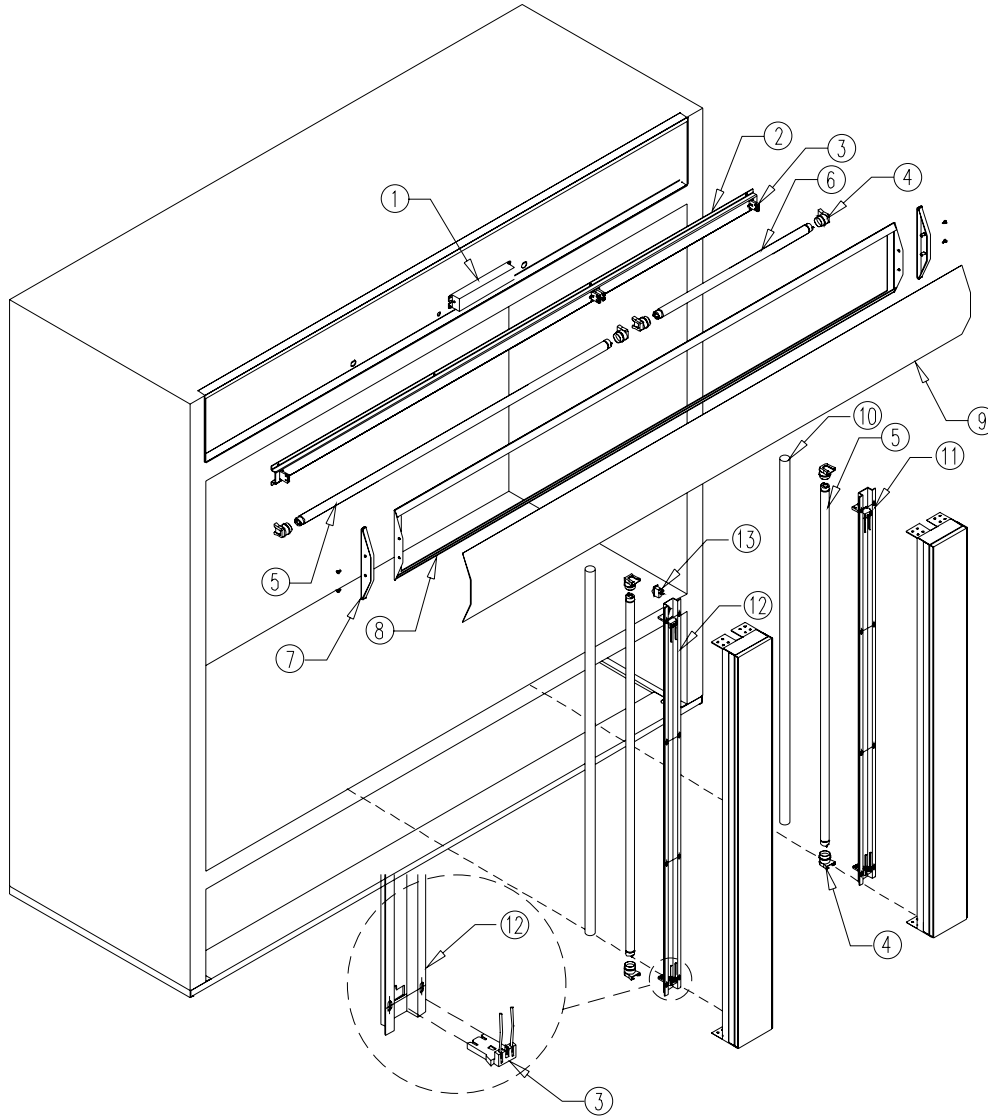


FIGURE 5

Item No.	Part No.	Name
1	1034955	Ballast QT4x32 T8/120
2	1034956	Lamp
3	1033256	Lampholder
4	1033257	Lampholder cap
5	1035400	Fluorescent tube T8 FO32/865/XP/ECO
6	1035399	Fluorescent tube T8 FO17/865/XP/ECO

Item No.	Part No.	Name
7	1034896	Plastic sign ends
8	1034957	Sign frame
9	1034958	Acrylic sign
10	1034918	Light shield
11	1034959	Right interior lamp
12	1034960	Left interior lamp
13	1034886	Light switch