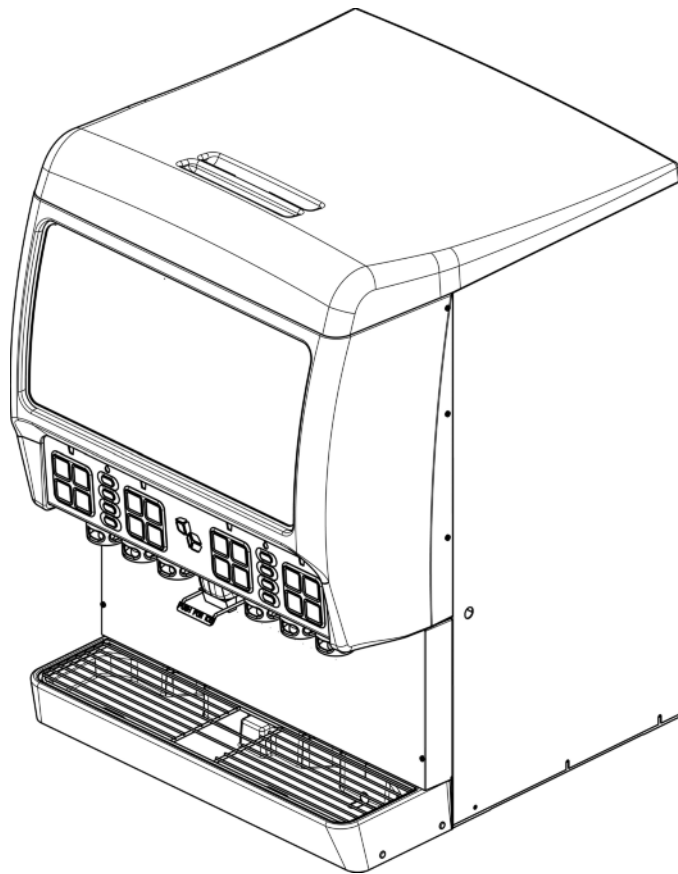




# FLAVORFUSION WITH COLD CARBONATION

## Illustrated Parts List



Release Date: February 20, 2012  
Publication Number: 620055764IPL  
Revision Date: March 04, 2014  
Revision:D

Visit the Cornelius web site at [www.cornelius.com](http://www.cornelius.com) for all your Literature needs.

---

The products, technical information, and instructions contained in this manual are subject to change without notice. These instructions are not intended to cover all details or variations of the equipment, nor to provide for every possible contingency in the installation, operation or maintenance of this equipment. This manual assumes that the person(s) working on the equipment have been trained and are skilled in working with electrical, plumbing, pneumatic, and mechanical equipment. It is assumed that appropriate safety precautions are taken and that all local safety and construction requirements are being met, in addition to the information contained in this manual.

This Product is warranted only as provided in Cornelius' Commercial Warranty applicable to this Product and is subject to all of the restrictions and limitations contained in the Commercial Warranty.

Cornelius will not be responsible for any repair, replacement or other service required by or loss or damage resulting from any of the following occurrences, including but not limited to, (1) other than normal and proper use and normal service conditions with respect to the Product, (2) improper voltage, (3) inadequate wiring, (4) abuse, (5) accident, (6) alteration, (7) misuse, (8) neglect, (9) unauthorized repair or the failure to utilize suitably qualified and trained persons to perform service and/or repair of the Product, (10) improper cleaning, (11) failure to follow installation, operating, cleaning or maintenance instructions, (12) use of "non-authorized" parts (i.e., parts that are not 100% compatible with the Product) which use voids the entire warranty, (13) Product parts in contact with water or the product dispensed which are adversely impacted by changes in liquid scale or chemical composition.

### **Contact Information:**

To inquire about current revisions of this and other documentation or for assistance with any Cornelius product contact:

**[www.cornelius.com](http://www.cornelius.com)**

**800-238-3600**

### **Trademarks and Copyrights:**

This document contains proprietary information and it may not be reproduced in any way without permission from Cornelius.

Printed in U.S.A.

---

# TABLE OF CONTENTS

Cladding Components and Overall Assembly .....	1
Electrical Box Assembly Detail .....	3
Ice Dispensing Assembly Detail .....	4
Beverage Dispensing Assembly Detail .....	5
Keypad Assembly Detail .....	6
Carbonator Tank Assembly Detail .....	7
Carbonator Tank Assembly Detail .....	8
Pump and Motor Assembly Detail .....	9

---

# CLADDING COMPONENTS AND OVERALL ASSEMBLY

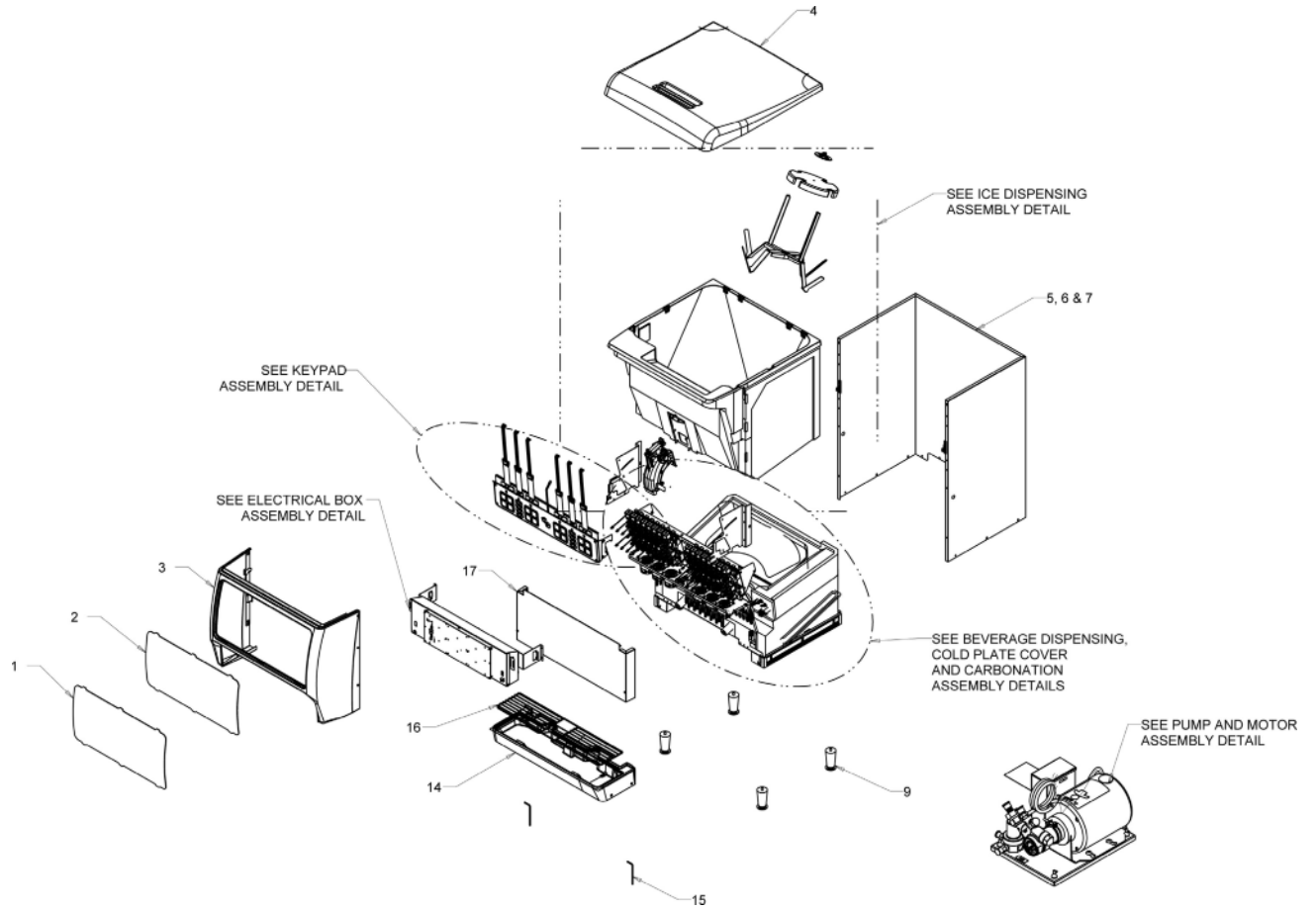


Figure 1.



Item No.	Part No.	Name
1	620920085	Merchandiser Graphic (Generic)
	620921021	No Bonus Graphic
2	620518216	Merchandiser Lens
3	620054783	Merchandiser Asy (Black)
	620058350	Merchndsr Asy Black FF (Not Shown)
	620054784	Merchandiser Asy (Green)
	620058523	Merchndsr Asy Green FF (Not Shown)
	620054781	Merchandiser Asy (Silver)
	620054782	Merchandiser Asy (Orange)
4	620517088	Lid (Black)
	620517089	Lid (Green)
	620517086	Lid (Orange)
	620517087	Lid (Silver)
5	51908	Mounting Hole Plug(Not Shown)
6	33300	Keyswitch Asy (Keys Included)
	2007	Replacement Key Only
7	620054790	Wrap Flavor Fusion
8	620516645	Coldplate Access Cover (Not Shown)
9	70970	4" Adjustable Legs, 3/8"-16 Black Plastic With Nickle Plated Foot

Item No.	Part No.	Name
10	53011	Rubber Elbow Fitting For Cold Plate Drain (Not Shown)
11	50335	Armaflex Insulation 1-3/8" IDx 3/8" Wall (Not Shown)
12	51774	Clear Vinyl Tubing 1" ID X 1/8" Wall (Not Shown)
13	70750	Hose Clamp (Not Shown)
14	620046247	Drip Tray Asy (Black)
	620046272	Drip Tray Asy (Green)
	620046273	Drip Tray Asy (Orange)
	620046274	Drip Tray Asy (Silver)
15	10145	Drip Tray Mounting Pin
16	620708534	Cup Rest
17	620055148	Splash Panel (Drip Tray)
	620055695	Splash Panel ("Z" Style)
18	620055259	Plumbing Label Diagram (Not Shown)
19	620716108	Keypad Asy (Generic)(Not Shown)
	620052950	Keypad Asy (No Bonus)(Not Shown)
20	620408124	Pump And Motor Assembly
21	620921337	Generic Decal Set (Not Shown)
22	620043354	Cold Plate Cover Assembly

## ELECTRICAL BOX ASSEMBLY DETAIL

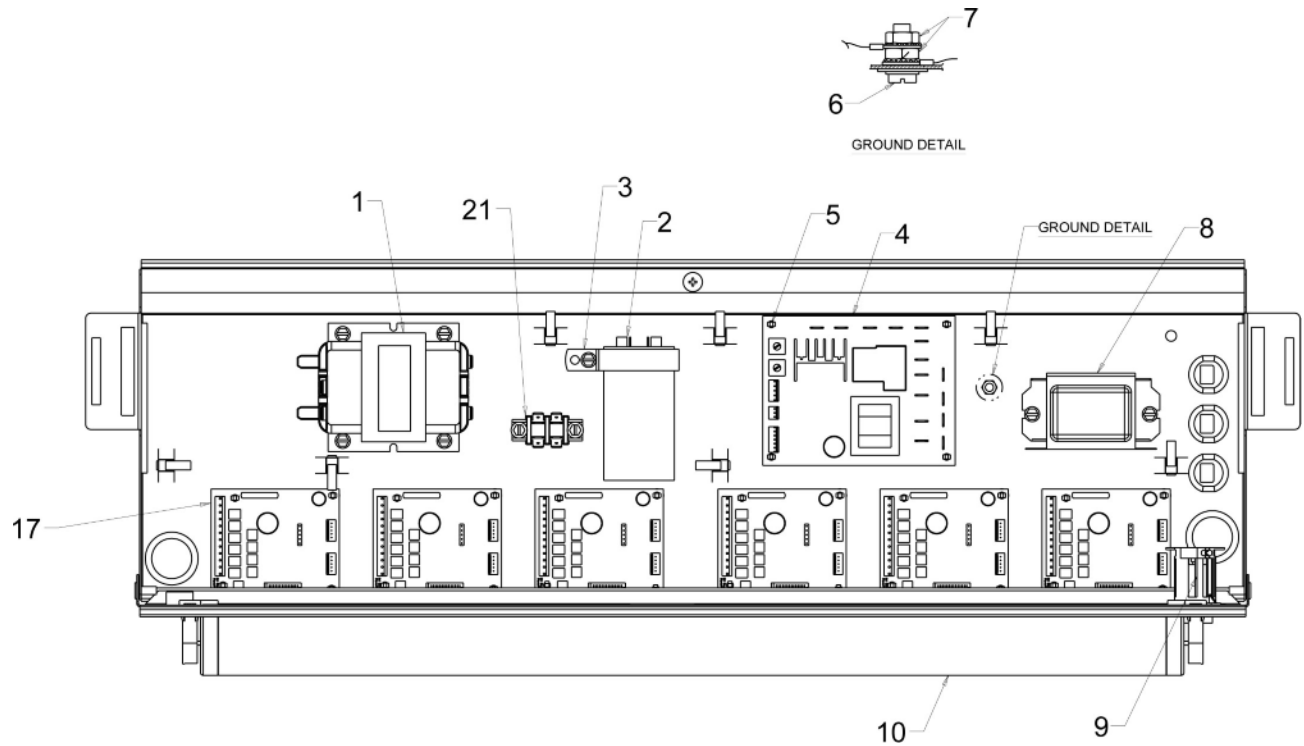


Figure 2.

Item No.	Part No.	Name
1	<a href="#">620047655</a>	Transformer
2	<a href="#">560002379</a>	Capacitor
3	<a href="#">620717212</a>	Capacitor Mount
4	620314825	Main Electrical Board
5	<a href="#">325925000</a>	Electrical Board Support
6	<a href="#">70120</a>	Machine Screw, #10-32, Ground
7	70015	Hex Nut, 10-32 Keps
8	<a href="#">31621</a>	Ballast
9	<a href="#">31620</a>	Starter
10	<a href="#">31928</a>	Fluorescent Bulb 23"
11	<a href="#">30794</a>	Agitator Motor Heater (Not Shown)
12	<a href="#">620316445</a>	Agitator Motor Harness (Not Shown)
13	<a href="#">620316456</a>	Carb Pump And Motor Harness (Not Shown)

Item No.	Part No.	Name
14	<a href="#">30995</a>	Power Cord (Not Shown)
15	<a href="#">620316455</a>	Liquid Level Control Harness (Not Shown)
16	<a href="#">620316457</a>	Ice Chute Position Sensor Harness (Not Shown)
17	620314824	Electrical Interface Board
18	<a href="#">620316487</a>	Interface Harness (Not Shown)
	<a href="#">620317468</a>	Interface Harness (No Bonus)
19	620316288	Main Board To Interface Board Synchronization Harness (Not Shown)
20	<a href="#">620316444</a>	Solenoid Valve Harness (Not Shown)
21	620055260	Wiring Diagram Label (Not Shown)
22	<a href="#">187876000</a>	Terminal Block (Not Shown)
<b>NOTE : SEE WIRING DIAGRAM FOR CONNECTION DETAILS.</b>		

## ICE DISPENSING ASSEMBLY DETAIL

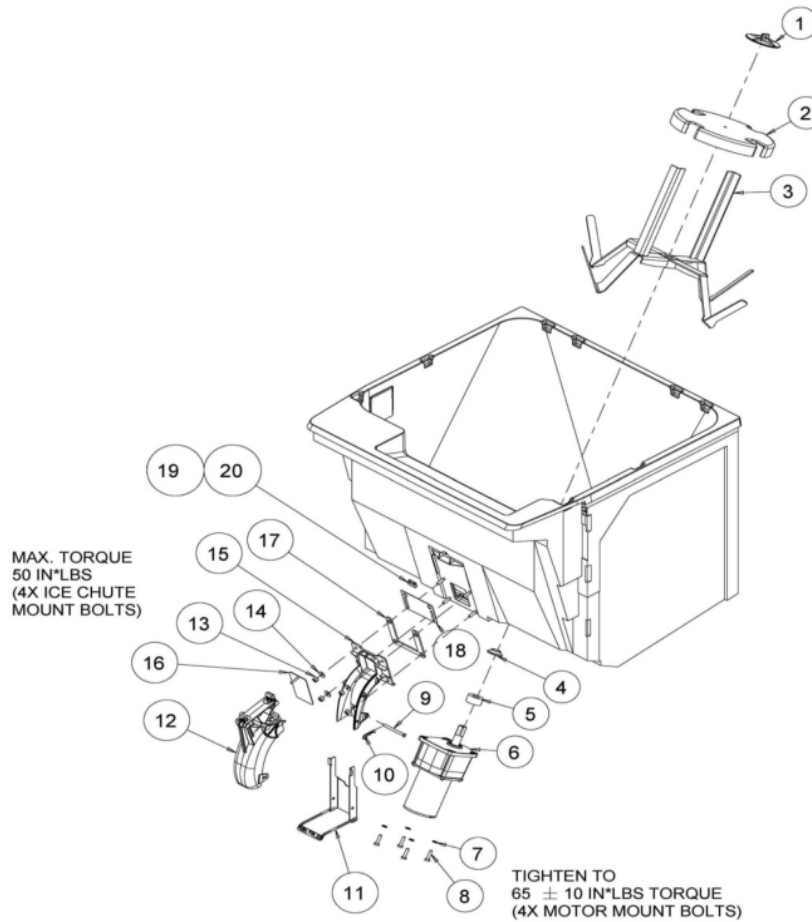


Figure 3.

Item No.	Part No.	Name
1	<a href="#">15087</a>	Agitator Retainer
2	<a href="#">620042770</a>	Agitator Disk
3	620042766	Agitator
	620042723	Agitator (opt. w/no disk reqd)
4	<a href="#">620711105</a>	Gear Box Shaft Seal
5	<a href="#">52876</a>	Gear Box Shaft Gasket
6	<a href="#">620314923</a>	Service Motor (Without Gear Box)
	<a href="#">620314913</a>	Motor and Gear Box Assembly
7	<a href="#">186294000</a>	Lock Washer .262" ID X .489" OD X .062" Thick, SS
8	<a href="#">620720590</a>	Self-Locking Socket Head Cap Screw, 1/4-20, 1" Long, SS
9	<a href="#">620051502</a>	Clevis Pin, .250" Dia X 2.75" Long, SS
10	<a href="#">620709432</a>	Hairpin Cotter, SS

Item No.	Part No.	Name
11	620518517	Ice Chute Push Bar
	620709311	Ice Chute Lever (not shown)
12	620518523	Upper Ice Chute Assembly
13	<a href="#">620709132</a>	Hex Nut, 1/4-20 Nylock, SS
14	<a href="#">70066</a>	Flat Washer, .265" ID X .750" OD X .055" Thick, SS
15	620518513	Lower Ice Chute
16	<a href="#">620048706</a>	Ice Gate
17	620710113	Ice Gate Gasket
18	620046504	Ice Gate Restrictor Plate
19	0704105	Machine Screw #08-32 Truss Phillips Head, 1/2" Long, SS
20	V25248	Flat Washer, #10 SS
21	<a href="#">620314527</a>	Ice Chute Position Sensor (Not Shown)
22	<a href="#">90432</a>	Heater Caution Label (Not Shown)

## BEVERAGE DISPENSING ASSEMBLY DETAIL

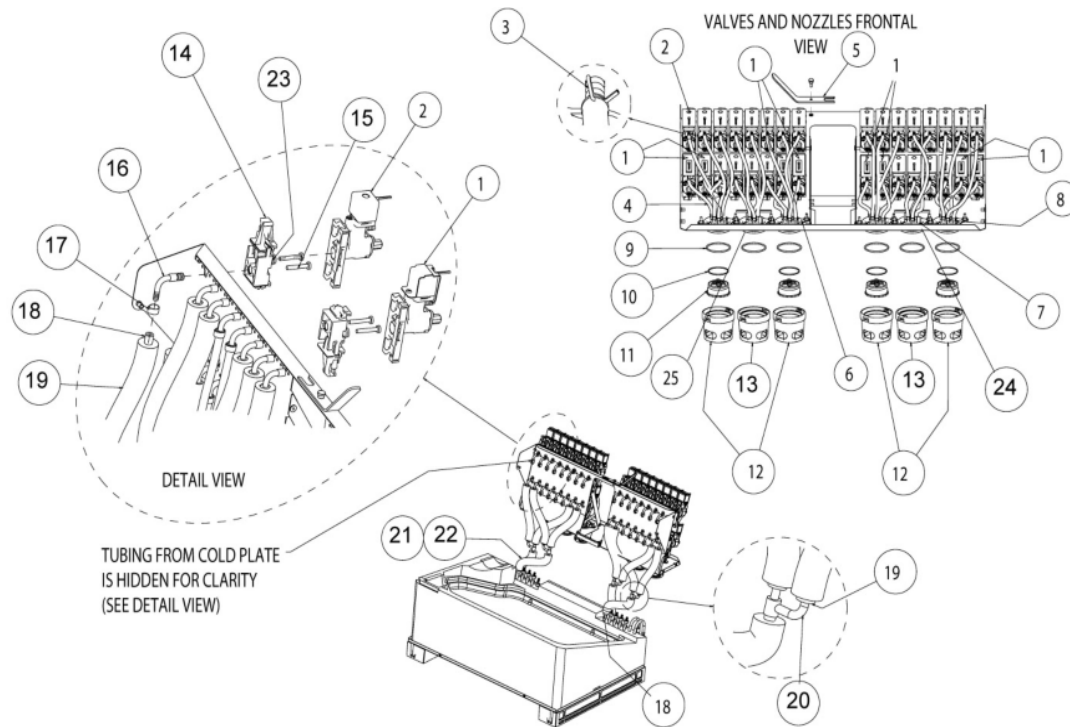


Figure 4.

Item No.	Part No.	Name
1	620607737	Water Valve: DO NOT SWITCH WITH ITEM 2
2	620607738	Syrup Valve: DO NOT SWITCH WITH ITEM 1
3	LBJ0602141	Torsion Spring Clamp 19/64"
4	620708932	Tygon Tubing 5/16 OD X 3/16 ID: Supplied in 6' Lengths. Connects between Valve Outlet and Baffle.
5	620716708	Valve removal tool
6	620042932	Diffuser: Requires item 9. Cap unused baffle inlets with item 7
7	620043130	Cap
8	311527000	Oetiker clamp # 8.7
9	620716317	O-ring 2.050" 103CS 65-70 Duro
10	620716316	O-ring 1.864" 070CS 65-70 Duro
11	620518712	Diffuser Assembly: Comes with item 10. For brand syrup valves only.
12	620516520	Brand Outer Nozzle
13	620516522	Bonus Outer Nozzle (Optional)
14	620518139	Valve Back Block
15	620700601	Screw, 10-16 Thread Forming Sheet-metal Phillips Head SS, 1.25 Long

Item No.	Part No.	Name
16	620709068	Elbow Fitting, 1/4 Barb X 1/4 Dole, SS
	50126	Must fully insulate with Prestite Insulation
17	50326	Insulation Tape
	312926000	Oetiker Clamp # 12.3
18	620708933	Tygon Tubing 7/16 OD X 1/4 ID: Supplied in 6' Lengths
	50126	Must fully insulate with Prestite Insulation
	50326	Insulation Tape
19	50163	Armaflex Insulation 3/8 ID X 3/8 WALL: Supplied in 6' lengths.
	77900800	Y-Fitting (2) 1/4 X 3/8 Barb,
20	50126	Must fully insulate with Prestite Insulation
	50326	Insulation Tape
21	620607436	Polyethylene Tubing .380" ID X .593" OD: Supplied in 6' lengths.
22	50249	Armaflex Insulation Tubing 1/2 ID X 3/8 WALL: Supplied in 6' lengths.
23	321471000	Dow 111 Lubricant: Apply around O-rings.
24	620516691	No Bonus Cover Assembly (Optional)

## KEYPAD ASSEMBLY DETAIL

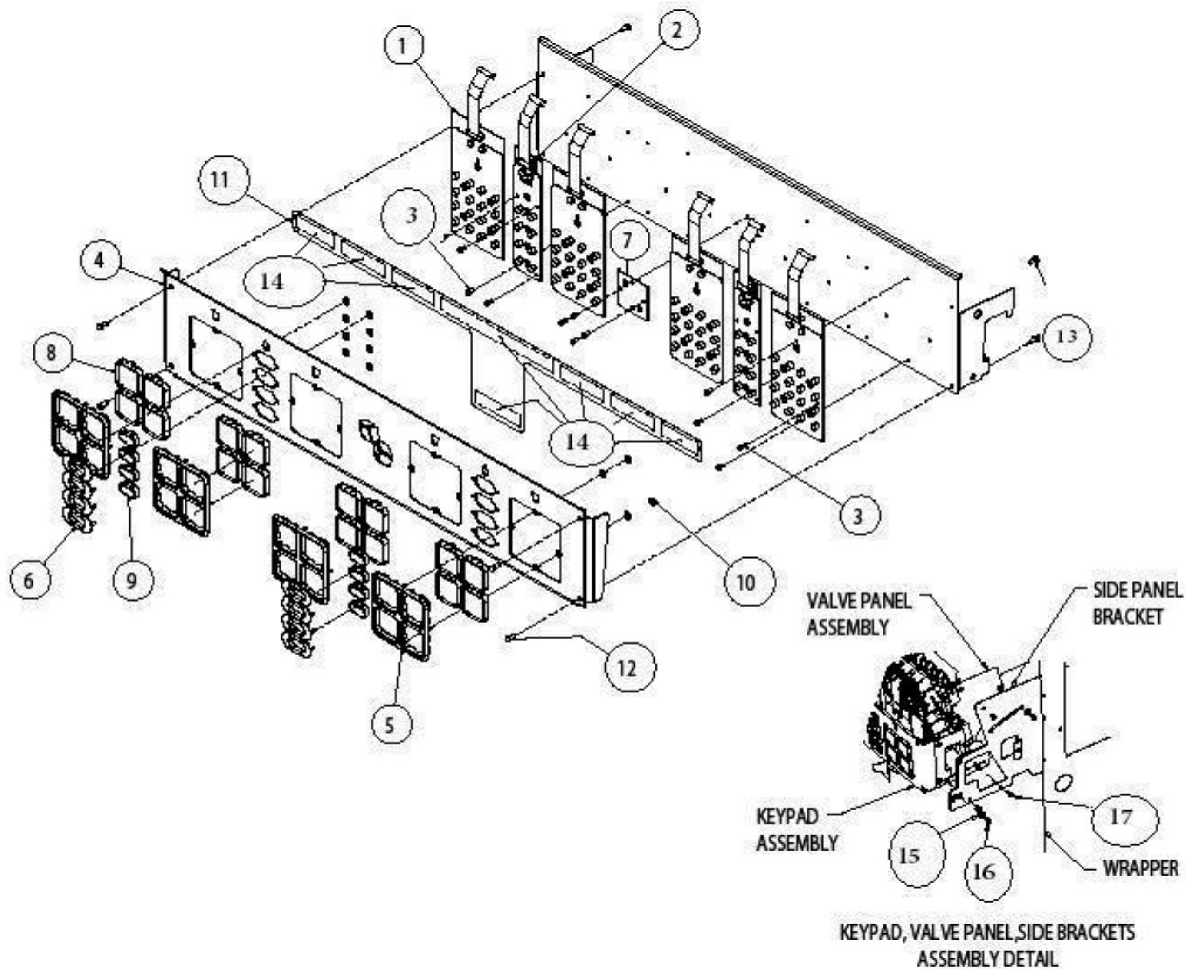


Figure 5.

Item No.	Part No.	Name
1	<a href="#">620045210</a>	Brand Keypad: Order must include item 19
2	<a href="#">620045209</a>	Bonus Keypad (Optional): Order must include item 19
3	<a href="#">620709634</a>	Pine Tree Push In Clip .118" DIA
4	<a href="#">620716106</a>	Front Bezel Panel (Generic)
	<a href="#">620716113</a>	Front Bezel Panel (No Bonus)
5	<a href="#">620719401</a>	Brand Bezel
6	<a href="#">620719402</a>	Bonus Bezel (Optional)
7	<a href="#">620314836</a>	Ice Icon Circuit Board
8	<a href="#">620719405</a>	Brand Push Button
9	<a href="#">620719406</a>	Bonus Push Button (Optional)
10	<a href="#">318036000</a>	Push Nut, .125" DIA
11	<a href="#">620518222</a>	Multicolor Indicator Lens

Item No.	Part No.	Name
12	<a href="#">620716907</a>	Stand Off 6-32 Threaded
13	320734000	Machine Screw, #06-32 Pan Head Phillips with Lock Washer, 3/8" Long
14	000251107	Double Sided Tape 1" Wide: Apply tape as shown so back-lighting of icons is not blocked. Supplied on a roll.
15	V25248	#10 Flat washer, SS
16	<a href="#">620720587</a>	Shoulder Head Screw, #08-32 Phillips Head, SS
17	<a href="#">70171</a>	Machine Screw, #8-32 Truss Phillips Head, 3/8" Long, SS
18	<a href="#">620317462</a>	Keypad to E-board Transition Harness (not shown)

## CARBONATOR TANK ASSEMBLY DETAIL

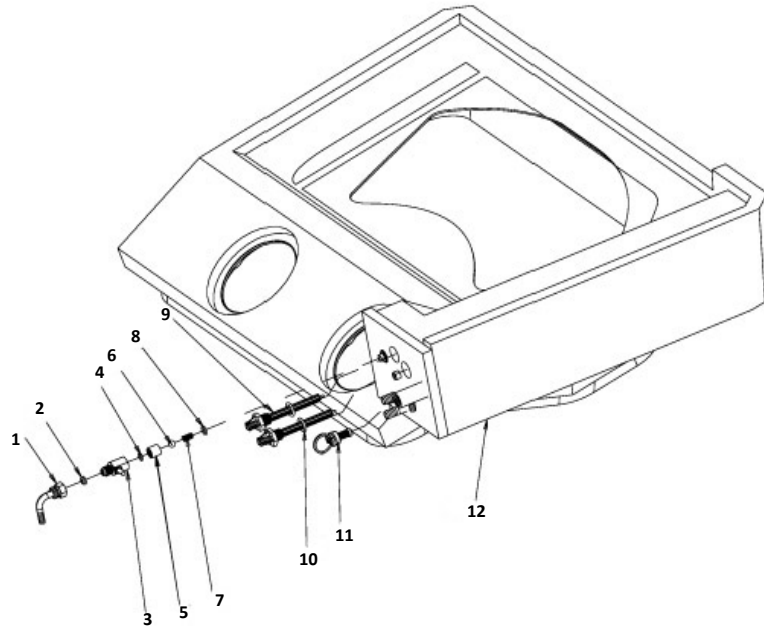


Figure 6.

Item No.	Part No.	Name
1	<a href="#">77040100</a>	L-Swivel Fitting 7/16"-20 (1/4" FFL) FL X 1/4" Barb, SS
2	<a href="#">178025100</a>	Male Gasket Flare Fitting
3	64677001	Check Valve Fitting
4	398033002	O-Ring.239" ID.070" CS 70 DU BU-N
5	<a href="#">64686</a>	Check Valve Sleeve SS
6	<a href="#">64560</a>	Check Valve Ball,.3125" SS

Item No.	Part No.	Name
7	<a href="#">64678</a>	Spring
8	31525012	O-Ring.301" ID.070" CS 60 DU BU-N
9	<a href="#">620607108</a>	Liquid Level Control Probe: Must be purchased together w/ Item 10 (ORing)
10	<a href="#">31525007</a>	O-Ring.488" ID 103 CS 60 DU BU-N
11	<a href="#">318362000</a>	Valve Relief Yel Carbonator
12	<a href="#">620043354</a>	Cold Plate Cover Assembly

## CARBONATOR TANK ASSEMBLY DETAIL

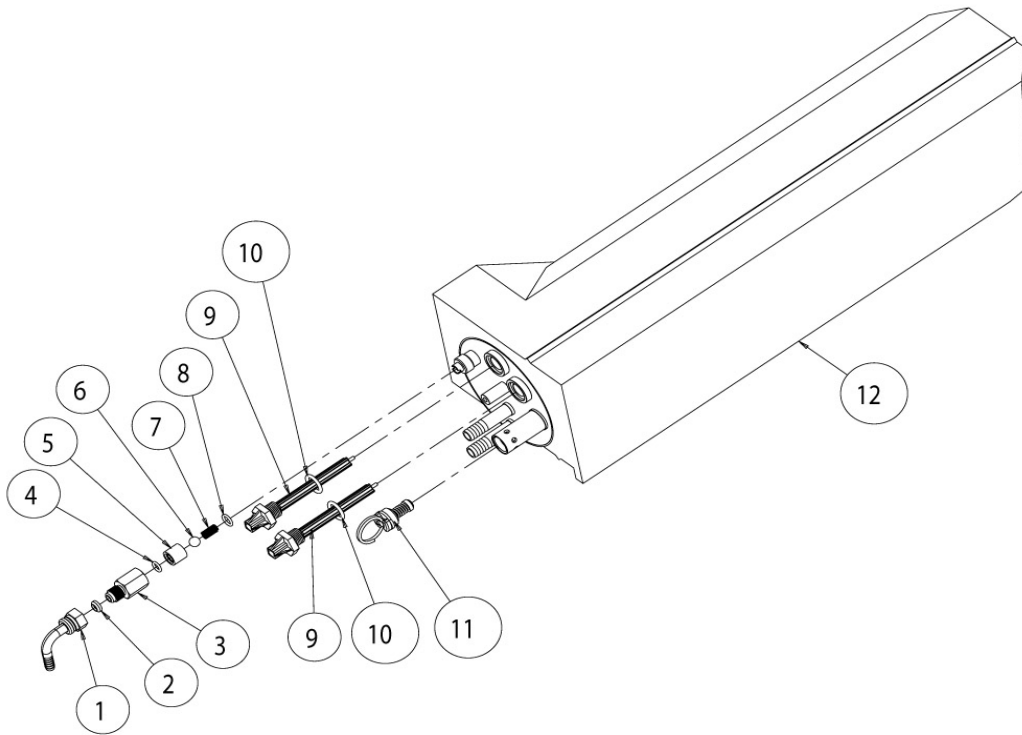


Figure 7.

Item No.	Part No.	Name
1	<a href="#">77040100</a>	L-Swivel Fitting 7/16"-20 (1/4" FFL) FL X 1/4" Barb, SS
2	<a href="#">178025100</a>	Male Gasket Flare Fitting
3	<a href="#">77401400</a>	Check Valve Fitting
4	398033002	O-Ring .239" ID .070" CS 70 DU BU-N
5	<a href="#">64686</a>	Check Valve, SS
6	<a href="#">64560</a>	Check Valve Ball, .3125" SS
7	<a href="#">64678</a>	Spring

Item No.	Part No.	Name
8	31525012	O-Ring .301" ID .070" CS 60 DU BU-N
9	<a href="#">620607108</a>	Liquid Level Control Probe: Must be purchased together with item 10 (O-ring).
10	<a href="#">31525007</a>	O-Ring .488" ID 103 CS 60 DU BU-N
11	<a href="#">318362000</a>	Valve Relief Yel Carbonator
12	620518322	Carb Tank Complete Assembly

## PUMP AND MOTOR ASSEMBLY DETAIL

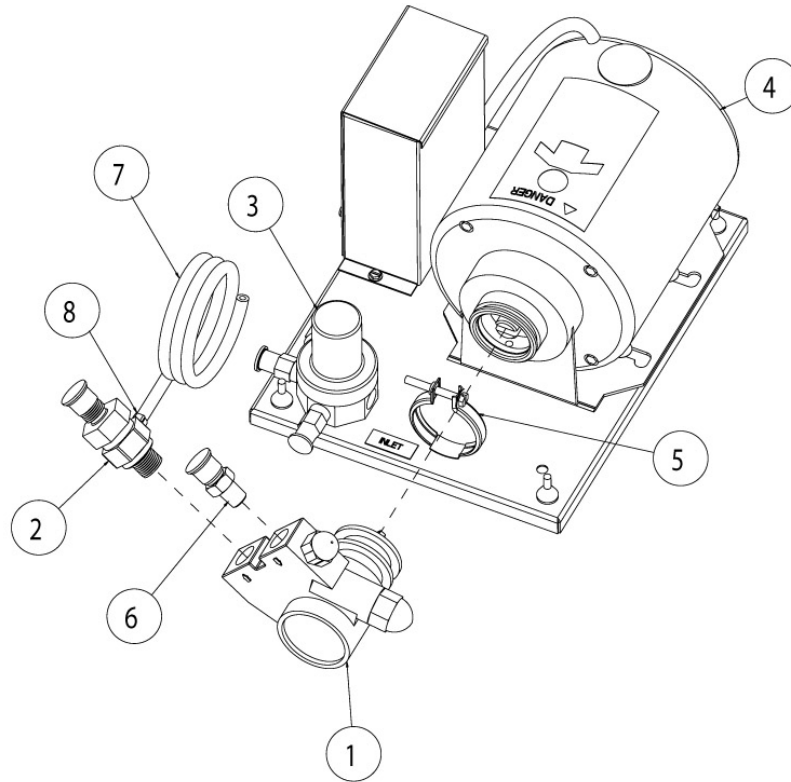


Figure 8.

Item No.	Part No.	Name
1	60170	Pump, 125GPH
2	<a href="#">620608773</a>	Check Valve 3/8MPT 5/8-18
3	<a href="#">620709802</a>	Pressure Regulator 75 PSIG
4	<a href="#">60030058</a>	Motor Pump

Item No.	Part No.	Name
5	<a href="#">187483000</a>	Clamp
6	111337000	Straight Fitting 3/8 MPT X 3/8 MF, Brass
7	<a href="#">174004000</a>	Polyethylene Tubing .156" ID X .312" OD
8	<a href="#">311527000</a>	Oetiker Clamp #8.7

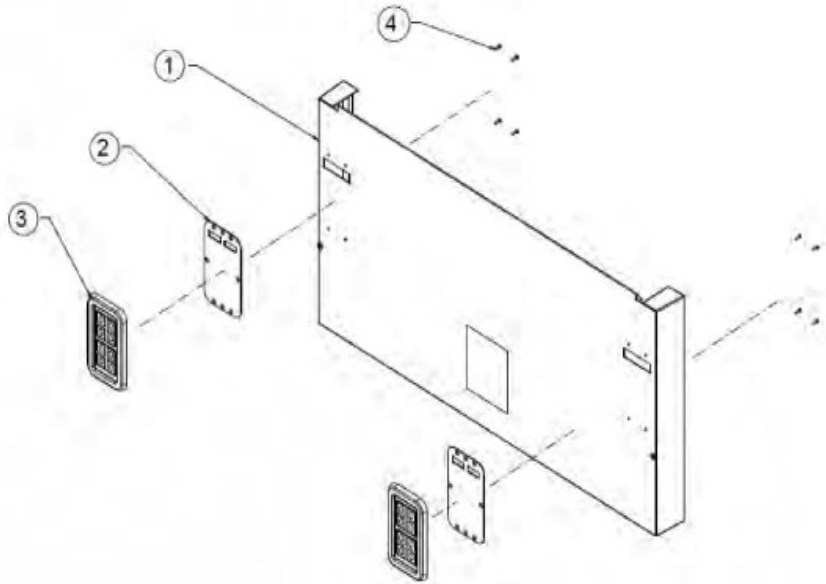


Figure 9.

Item No.	Part No.	Name
1	620055148	Splash Panel
	620055695	Z Style Splash Panel
	620055760	ADA Z Style Splash Panel
	620055759	ADA Splash Panel
	620056477	ADA Panel (Flavor Overload)
	620056479	ADA Z Style Panel (Flavor Overload)

Item No.	Part No.	Name
2	620055739	Lower Gasket
	620050223	Lower Gasket (Flavor Overload)
3	620055740	Key Pad Assembly
	620051142	Key Pad Assembly (Flavor Overload)
4	620051389	Screw, Philips Pan



**Cornelius Inc.**  
**[www.cornelius.com](http://www.cornelius.com)**