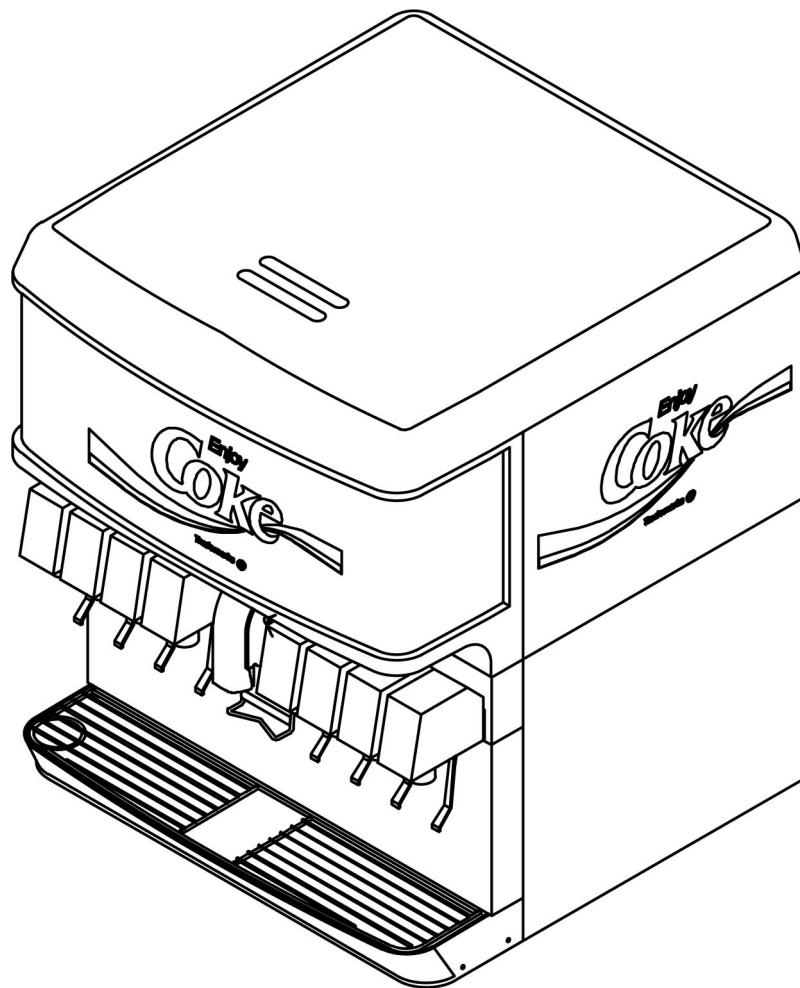




ILLUSTRATED PARTS LIST

DURAFLEX 200/250



Release Date: August 01, 2005

Publication Number: 92107IPL

Revision Date: September 20, 2016

Revision: G

Visit the Cornelius web site at www.cornelius.com for all your Literature needs.

The products, technical information, and instructions contained in this manual are subject to change without notice. These instructions are not intended to cover all details or variations of the equipment, nor to provide for every possible contingency in the installation, operation or maintenance of this equipment. This manual assumes that the person(s) working on the equipment have been trained and are skilled in working with electrical, plumbing, pneumatic, and mechanical equipment. It is assumed that appropriate safety precautions are taken and that all local safety and construction requirements are being met, in addition to the information contained in this manual.

This Product is warranted only as provided in Cornelius' Commercial Warranty applicable to this Product and is subject to all of the restrictions and limitations contained in the Commercial Warranty.

Cornelius will not be responsible for any repair, replacement or other service required by or loss or damage resulting from any of the following occurrences, including but not limited to, (1) other than normal and proper use and normal service conditions with respect to the Product, (2) improper voltage, (3) inadequate wiring, (4) abuse, (5) accident, (6) alteration, (7) misuse, (8) neglect, (9) unauthorized repair or the failure to utilize suitably qualified and trained persons to perform service and/or repair of the Product, (10) improper cleaning, (11) failure to follow installation, operating, cleaning or maintenance instructions, (12) use of "non-authorized" parts (i.e., parts that are not 100% compatible with the Product) which use voids the entire warranty, (13) Product parts in contact with water or the product dispensed which are adversely impacted by changes in liquid scale or chemical composition.

Contact Information:

To inquire about current revisions of this and other documentation or for assistance with any Cornelius product contact:

**www.cornelius.com
800-238-3600**

Trademarks and Copyrights:

This document contains proprietary information and it may not be reproduced in any way without permission from Cornelius.

This document contains the original instructions for the unit described.

**CORNELIUS INC
101 Regency Drive
Glendale Heights, IL
Tel: + 1 800-238-3600**

Printed in U.S.A.

CABINET SECTION

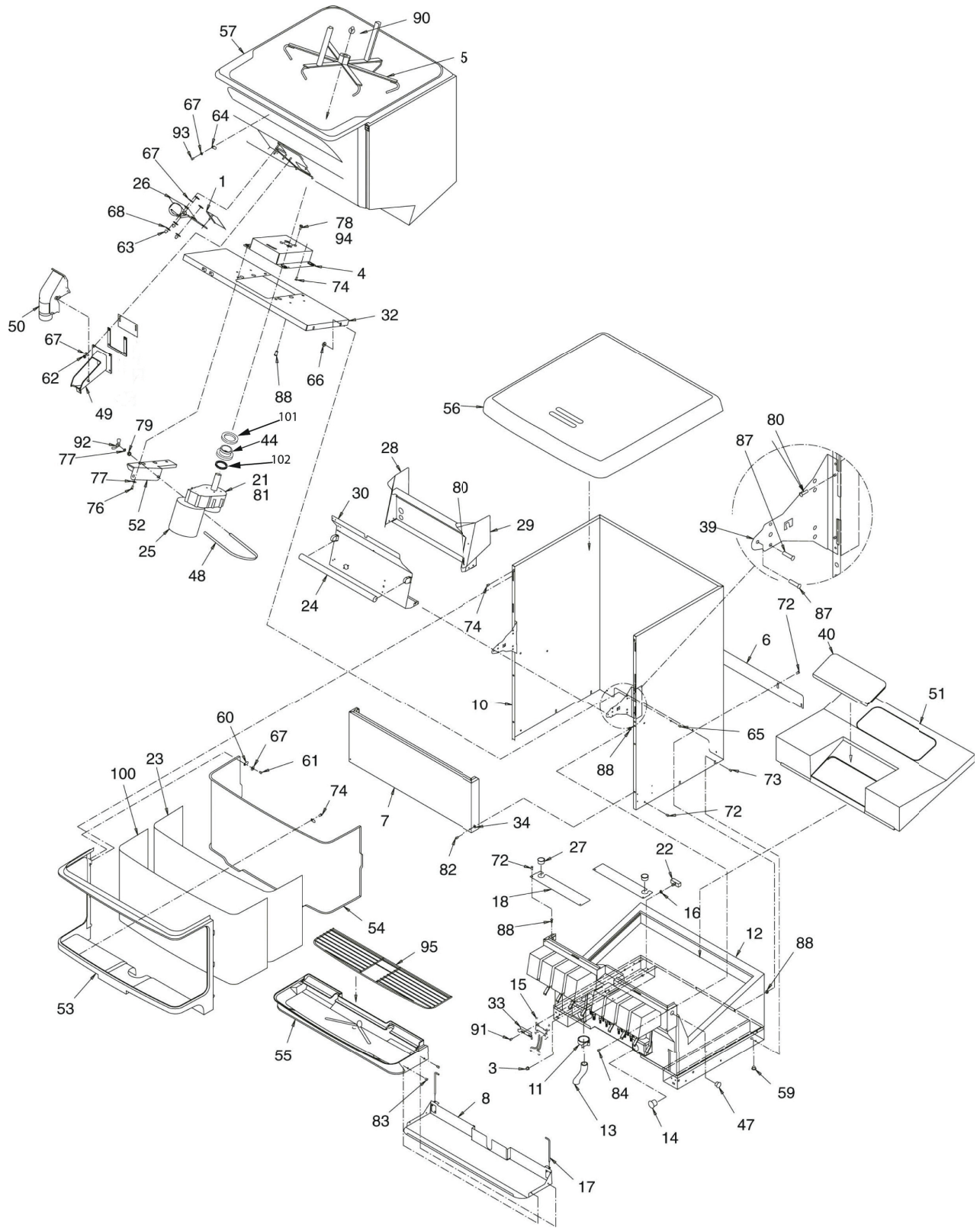


Figure 1. Cabinet Section Exploded View



Item No.	Part No.	Name
1	21491	Slide, Gate
3	31007	Boot Switch
4	29541R	Plate, Motor Mounting
5	29694	Agitator Ass'y
6	29555	Cover, Rear
7	629080208	Panel, Lower Front (For Drip Tray)
	629080204	Panel, Lower Front (Z Model)
8	620028702	Extension Ass'y, Drip Tray (Use on units built after 11/15/98)
		Not Used
9		Not Used
10	29547	Cabinet
11	71086	Clamp, Drain Tube
12	Contact Sales	Panel and Valve Assembly
13	50278	Drain Tube
14	53282	Cap Plug
15	15500	Dispense Lever, Short
	15488	Dispense Lever, Long
	15502	Push Lever, Ice Dispense
16	70847	Spacer, Switch
17	10145	Pin, Drip Tray
18	15090	Baffle, Beverage Panel
19		Not Used
20		Not Used
21	30794	Agitator Motor Heater 120V
	32826	Agitator Motor Heater 220-240V
22	2070	Dispense Switch Kit (includes actuator switch, boot, and spacer)
23	52996	Diffuser, DF200
	52997	Diffuser, DF250
24	31928	Bulb, Florescent
25	620314922	Agitator Motor (Use on units built after 9/05)
	629088531	Kit, Agitator Motor Replacement (Use on units built before 10/95)
	33404	Motor, Agitator 220-240V
26	32954	Solenoid Ass'y, 120V
	33409	Solenoid Ass'y, 220-240V
27	50459	Snap Bushing
28	620022103	Reflector Extension, Left Side, DF250
	620020903	Reflector Extension, Left Side, DF200

29	620022102	Reflector Extension, Right Side, DF250	
	620020904	Reflector Extension, Right Side, DF200	
30	620302501	Electrical Box Ass'y, DF200, 120V	
	620302502	Electrical Box Ass'y, DF250, 120V	
	620310201	Electrical Box Ass'y, DF200, 220-240V	
	620310202	Electrical Box Ass'y, DF250, 220-240V	
31		Not Used	
32	29542	Bracket, Motor Mounting	
33	27107	Bracket, Lever	
34	71010	Washer, Captivating, No. 8	
35		Not Used	
36		Not Used	
37		Not Used	
38		Not Used	
39	620019701	Hinge Gusset	
40	53255	Cover, Access (Cold Plate Models Only)	
41		Not Used	
42		Not Used	
43		Not Used	
44	**620061600	Seal, Agitator Motor	
45		Not Used	
47	***51908	Plug (120V Models Only)	
48	71025	Strap Agitator Motor, 220-240V	
	620516432	Strap Agitator Motor, 120V	
49	620500901	Ice Chute	
50	53168	Ice Chute, Cover	
51	53268	Cover, Cold Plate	
52	620052843	Bracket, Agitator Motor Mount	
53	52910	Merchandiser, Gray, DF250	
	52900	Merchandiser, Gray, DF200	
	15754	Merchandiser, S.S., DF250	
	15755	Merchandiser, S.S., DF200	
	620011505	Merchandiser, S.S. (For Lid and Straw Holder DF250)	
	620011509	Merchandiser, S.S. For Lid and Straw Holder DF200)	
	620011506	Merchandiser, S.S. (For Medallion DF250)	
	620011510	Merchandiser, S.S. (For Medallion DF200)	
	620011507	Merchandiser, S.S. (For Low Ice Light DF250)	

	620011511	Merchandiser, S.S. (For Low Ice Light DF200)
54	52947	Panel Inner, DF200
	52948	Panel Inner, DF250
55	53211	Drip Tray, Gray
56	52897	Lid, Dispenser, Gray
57	52960	Hopper Ass'y, DF250
	52916	Hopper Ass'y, DF200
58		Not Used
59	52967	Plug, Foot
60	52972	Clip, Flush Nylon, White
61	70469	Pop Rivet, 1/8
62	70016	Hex Nut, No. 10-32
63	70017	Insert, No. 10-32
64	53299	Clip, Black
65	70242	Screw, No. 10-32 By 3/8-In. Long
66	70015	Hex Nut, No. 10-32
67	70076	Hex Nut, No. 8-32
68	70067	Washer, No. 10
69		Not Used
70		Not Used
71		Not Used
72	70171	Screw, No. 8-32 By 3/8-In. Long
73	70178	Screw, No. 8-32 By 1/2-In. Long
74	70204	Screw, No. 8 By 1/2-In. Long
75		Not Used
76	71033	Screw, 3/8-16 By 3/4-In. Long
77	70068	Washer, 3/8
78	52132	Adhesive, Locktite
79	71061	Washer, 7/16
80	70320	Pop Rivet, 1/8
81	70341	Spring, Agitator Motor Heater
82	71006	Screw, No. 8-32 By 2 1/4-In. Long
83	70478R	Clip, Push-on
84	70555	Screw, No. 8-32 By 2 5/8-In. Long
85		Not Used
86		Not Used
87	70456	Pop Rivet, 3/16
88	70959	Nutsert, No. 8-32
*89	60259	4" Cast Leg
	70970	4" Leg, Black Plastic
90	15087	Retainer, Agitator
91	620701601	Screw, No. 10 By 1/2-In. Long
92	71059	Wing Nut, 3/8-16

93	71089	Shoulder Screw, No. 8-32
94	71028	Bolt, 1/4-20
95	71039	Cup Rest (flat)
	71094	Cup Rest Optifill (slanted)
*96	51288	Adapter, 1-In. Barb By 3/4 MPT (For Drip Tray Drain)
*97	50952	Adapter, 3/4 Soc By 3/4 FPT (For Drip Tray Drain)
*98	70750	Clamp (For Drip Tray Drain)
*99	620702201	Cold Plate Cleaning Brush
100	92028	Coca-Cola Graphics DF200 (42.85 x 10.68) Must order thru Coke USA Parts
		Coca-Cola Graphics DF250 (42.85 x 14.68) Must order thru Coke USA Parts
N/A	92274	Coca-Cola Side Decal DF200 (20.90 x 14.72) Must order thru Coke USA Parts
N/A	92050	Coca-Cola Side Decal DF250 (20.90 x 18.72) Must order thru Coke USA Parts
N/A	92171	Coke Medallion Assy (Bottle Cap Sign) Includes medallion and hardware.
N/A	92165	Medallion Only
N/A	32977	Keylock Switch w/ Keys
N/A	70739	Key (marked D001)
N/A	08052	Splash Guard Kit (two clear side guards)
N/A	33666	Low Ice Indicator Light (red light)
N/A	31001	Thermostat (for low ice indicator assy)
101	** 620061992	Gasket
102	** 620062926	Quad-ring

NOTE: *Not Shown
****Parts Included In Agitator Motor Kit.**
*****For 220-240V Models [51908](#) Plug replaced By [620303001](#) Push-Button Switch Actuator and [620303002](#) Switch Block.**

KIT ICE CHUTE DOUBLE GASKET

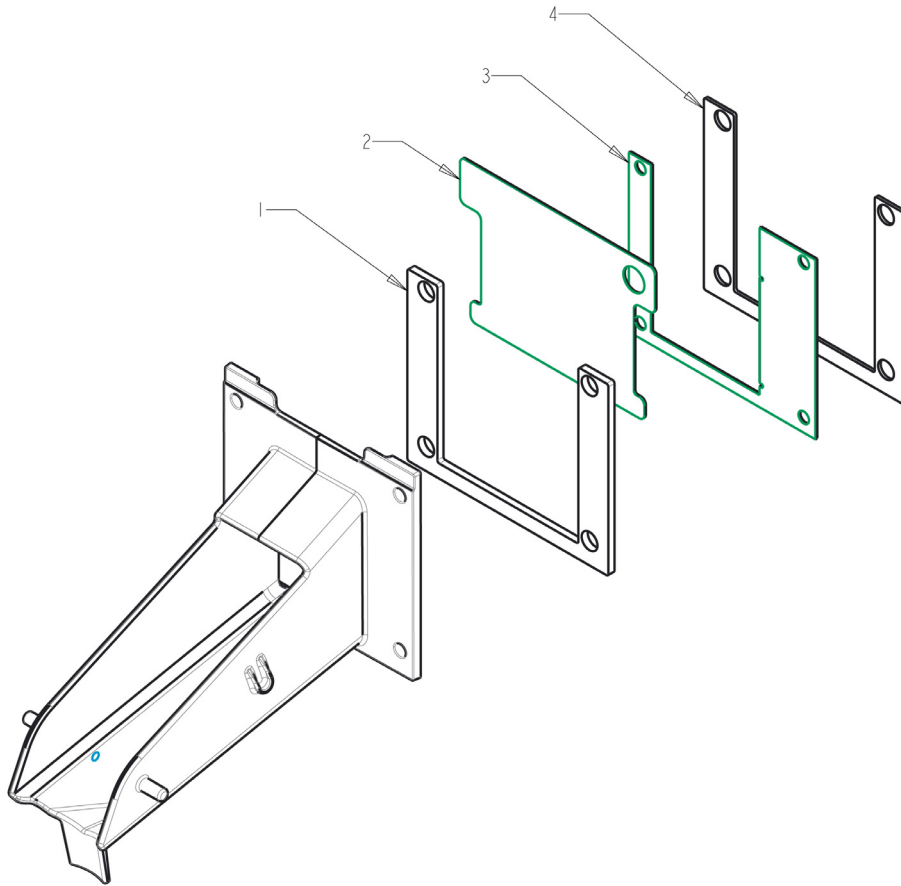


Figure 2. Kit Ice Chute Double Gasket

Item No.	Part No.	Name
1	620059717	Gasket Out Gate Outer (Red)
2	620059707	Gate Restrictor
3	620059705	*Deflector Ice Gate
	620059706	*Deflector Ice Gate RH ED300
4	620059718	Gasket Ice Gate Inner (Black)

NOTE: * Used on soft Ice models only.



CAUTION:

Tighten #10-32 Nuts to 3.0 IN* LBS of Torque. Red gasket will deform slightly under load, but should not squeeze out of seal path.

ELECTRICAL BOX ASSEMBLY - FLUORESCENT LIGHTING

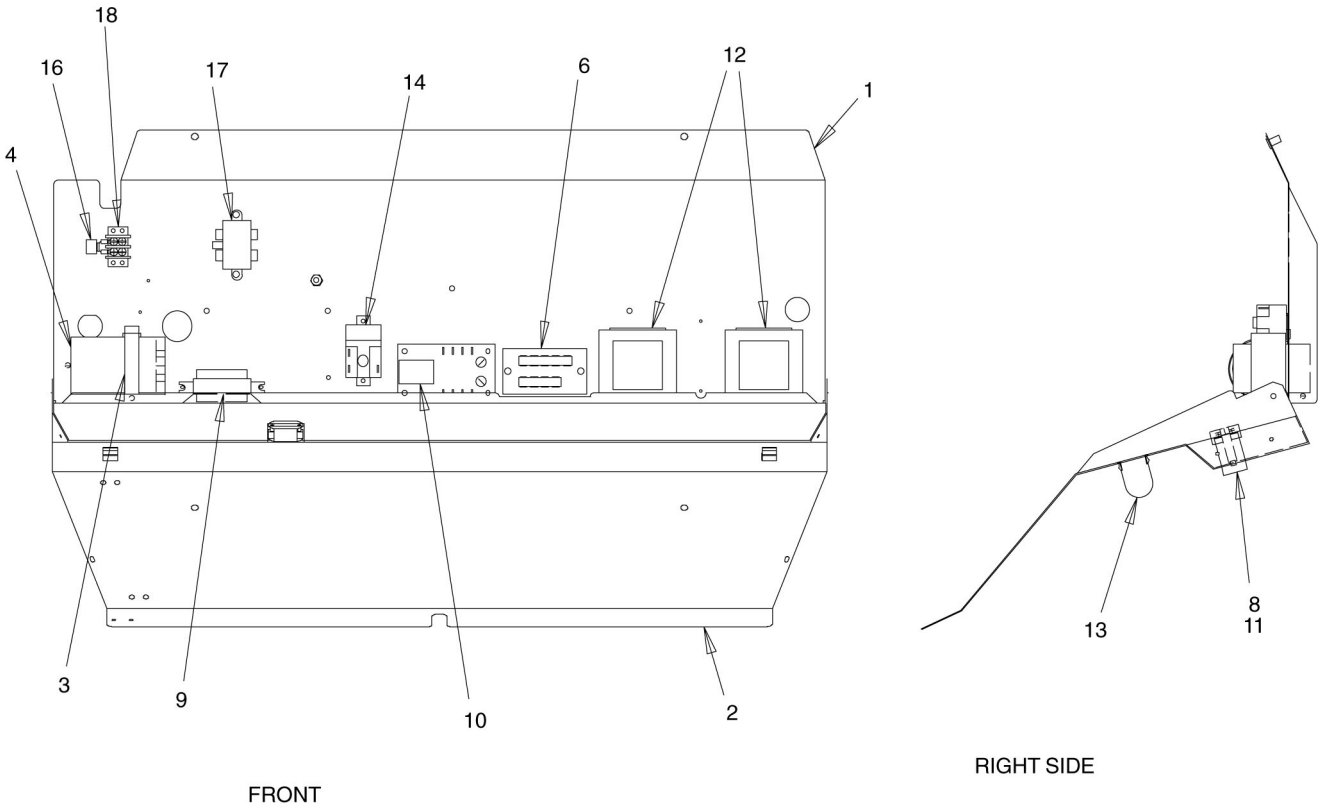


Figure 3. Electrical Box Assembly

Item No	Part No.	Name
1	620022001	Box, Electrical, DF250
	620020902	Box, Electrical, DF200
2	620022101	Reflector Panel, DF250
	620020901	Reflector Panel, DF200
3	620021101	Clamp, Capacitor, 230V
4	33160R	Capacitor, Agitator Motor, 230V
5	30995	Power Cord, 120 Volt (Not Shown)
	620302901	Power Cord, 220-240 Volt (Not Shown)
6	30960	Terminal Board, 120V
	31107	Terminal Board, 220-240V
7		Not Used
8	31620	Starter
9	31621	Ballast, 120 Volt
	33662	Ballast, 220-240 Volt

10	629087448	Agitation Timer Kit, 120 Volt (Use for units built after 1/22/02)
	629087444	Agitation Timer, 120 Volt (Use for units built before 1/23/02)
	629087451	Agitation Timer Kit, 220-240 Volt)
11	620302201	Socket, Starter
12	32682	Beverage Transformer, 120V
	32829R	Beverage Transformer, 220-240V
13	620302101	Lamp Holder
14	620306601	Relay, Agitator Motor, 220-240 Volt
15		Not Used
16	620304601	Varistor Ass'y, 220-240V
17	620307301	Filter, Power Line, 220-240V
18	32244	Terminal Strip, 220-240V

ELECTRICAL BOX ASSEMBLY - LED LIGHTING

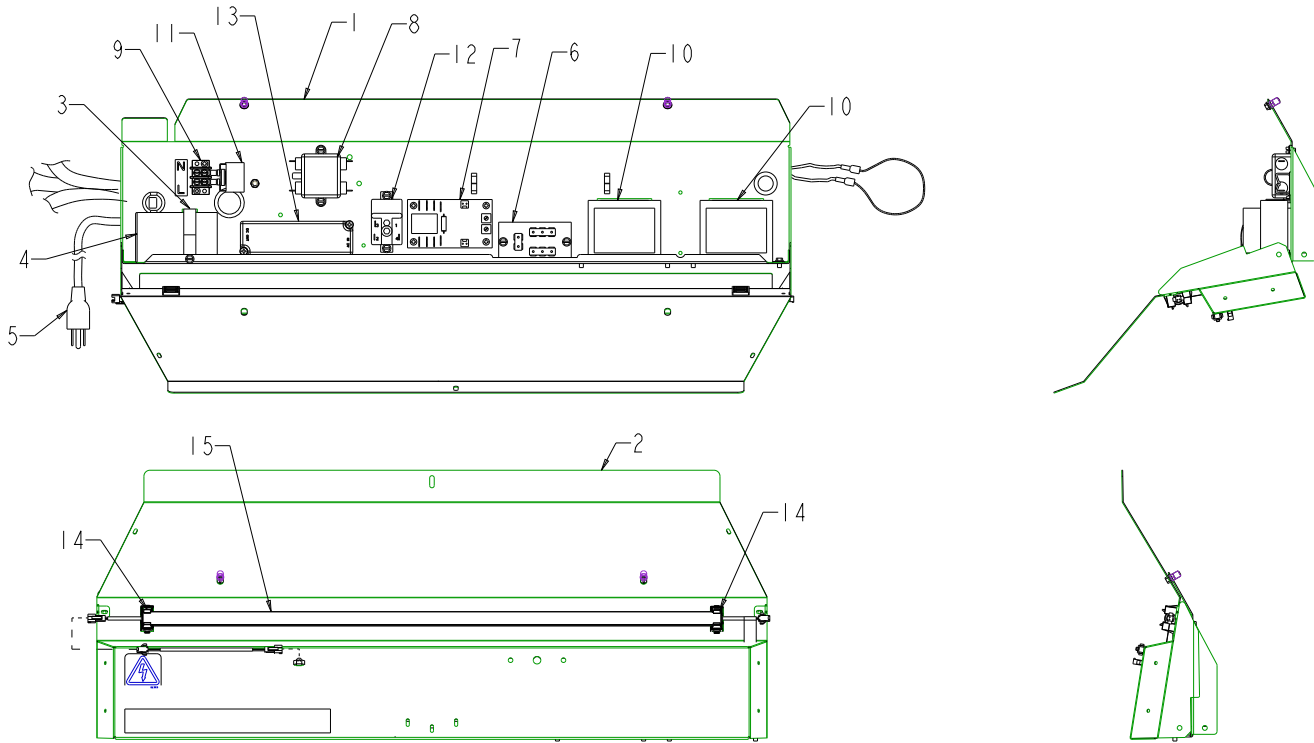


Figure 4. Electrical Box Assembly

Item No	Part No.	Name
1	620022001	BOX ELEC ED/DF 250
	620020902	BOX ELEC ED/DF 200
2	620200102	REFLECTOR PANEL ED/DF 200
	620200103	REFLECTOR PANEL ED/DF 250
3	620021101	CLAMP CAPACITOR 220-240 V
4	33160R	CAPACITOR 220 -240 V (AGITATOR MOTOR)
5	30995	POWER CORD, 120V
	620302901	POWER CORD, 220-240 V
6	30960	TERMINAL BLOCK 120V
	31107	TERMINAL BLOCK 220-240V

7	629087448	AGITATION TIMER KIT, 120V (USE FOR UNITS BUILT AFTER 1/22/02)
	629087444	AGITATION TIMER KIT, 120V (USE FOR UNITS BUILT AFTER 1/23/02)
	629087451	AGITATION TIMER KIT, 220 - 240 V
8	620307301	FILTER, POWER LINE, 220 - 240 V
9	32244	TERMINAL STRIP, 220-240 V
10	32682	TRANSFORMER, 120 V
	32829R	TRANSFORMER, 220 - 240 V
11	620304601	VARISTOR, 220 - 240 V
12	620306601	RELAY, AGITATOR MOTOR 220-240 V
13	620057649-018	PWR-SUPPLY 24VDC 20W LED ASSY
14	620064161	CLIP RETAINING LED LIGHT BA
15	620064030-001	LIGHT TUBE 24" 10W 24VDC

SOLENOID ASSEMBLY

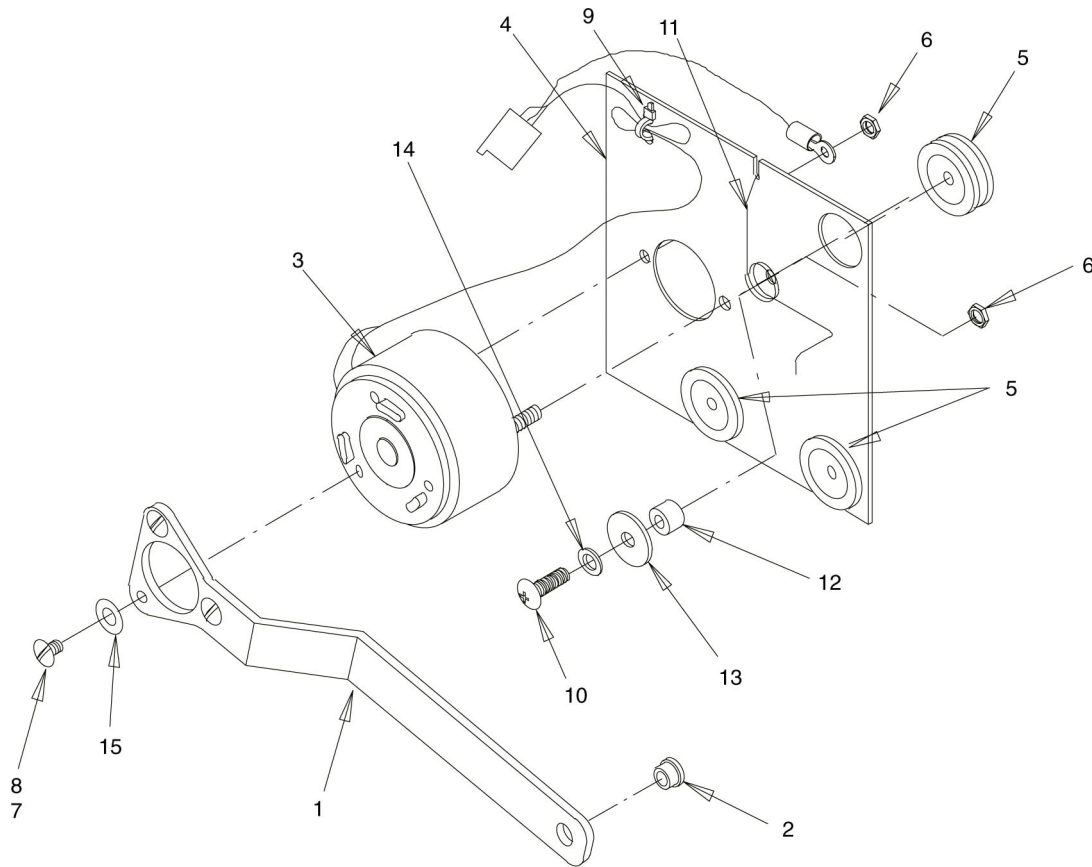


Figure 5. Solenoid Assembly

Item No	Part No.	Name
1	28173	Arm, Gate Lift
2	50754	Bearing, Gate Arm
3	32957	Solenoid, 120V
	33397	Solenoid, 220-240V
4	28172	Plate, Solenoid Mounting
5	50752	Isolator
6	70015	Hex Nut, No. 10-32
7	51689	Locktite
8	70162	Screw, No. 8-32 By 1/4-In. Long
9	50705	Tie Cable
10	70165	Screw, No. 8-32 By 5/8-In. Long
11	71007	Spring, Solenoid Arm
12	51348	Spacer
13	70067	Washer, .218 I.D. By .875 O.D
14	70057	Lock washer, No. 10
15	70052	Flat washer, No. 8
N/A	70485	Gate Slide Spring (attaches to gate lift arm on solenoid assy)
N/A	71007	Solenoid Arm Spring (L shaped wire)

COLD PLATE DRAIN

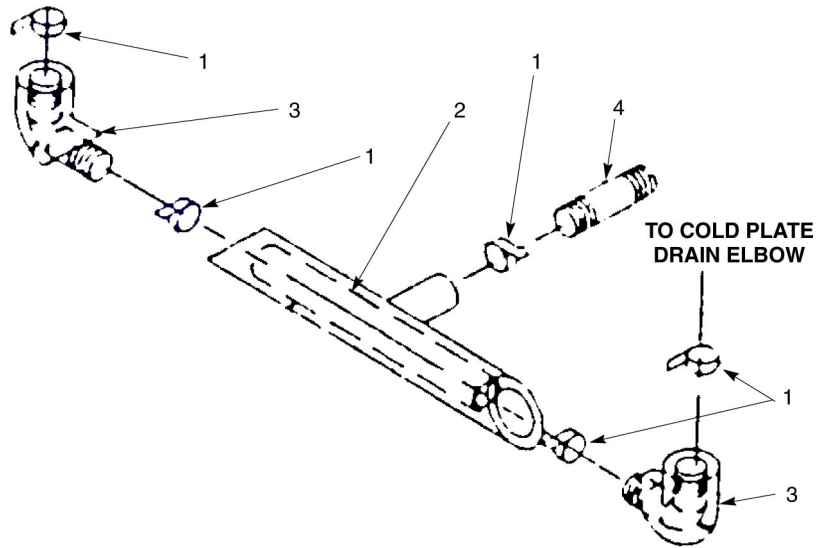


Figure 6. Cold Plate Drain For Z Style Units

Item No	Part No.	Qty	Name
1	70750	5	Hose Clamp
2	53169	1	Drain Tube
3	51280	2	Elbow
4	53293	1	Coupler
N/A	629087008		Cold Plate Drain Kit
N/A	629080104		Kit Sink to Z Style DF200/250 (Z = no drip tray or cup rest. This kit removes tray and cup-rest. Allows unit to sit on counter with built-in tray and cup-rest.)
N/A	629080304		Kit Z Style to Sink DF200/250 – Gray (Z = no drip tray or cup rest. This kit adds drip try and cup-rest to unit.)

Cornelius Inc.
www.cornelius.com