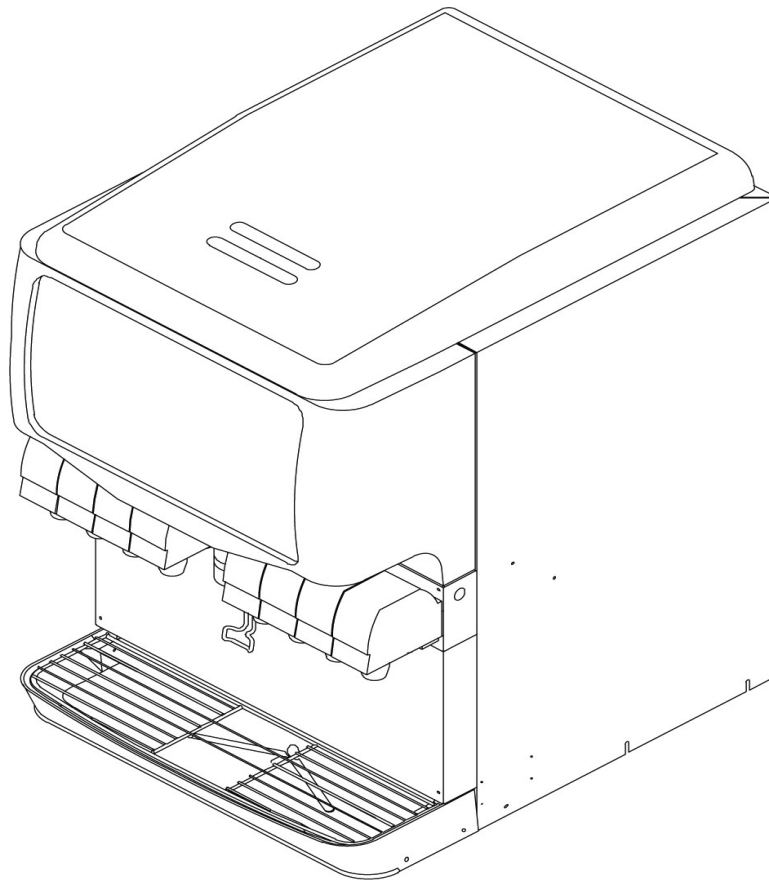


---

## ILLUSTRATED PARTS LIST

### Enduro-175 8 Valve



**Release Date:** March 17, 2004

**Publication Number:** 620917901IPL

**Revision Date:** September 26, 2023

**Revision:** P



**Marmon Foodservice  
Technologies**

A Berkshire Hathaway Company

Visit the Cornelius web site at [www.cornelius.com](http://www.cornelius.com) for all your Literature needs.

---

## Notice:

The products, technical information, and instructions contained in this manual are subject to change without notice. These instructions are not intended to cover all details or variations of the equipment, nor to provide for every possible contingency in the installation, operation or maintenance of this equipment. This manual assumes that the person(s) working on the equipment have been trained and are skilled in working with electrical, plumbing, pneumatic, and mechanical equipment. It is assumed that appropriate safety precautions are taken and that all local safety and construction requirements are being met, in addition to the information contained in this manual. This Product is warranted only as provided in Cornelius' Commercial Warranty applicable to this Product and is subject to all of the restrictions and limitations contained in the Commercial Warranty. Cornelius will not be responsible for any repair, replacement or other service required by or loss or damage resulting from any of the following occurrences, including but not limited to, (1) other than normal and proper use and normal service conditions with respect to the Product, (2) improper voltage, (3) inadequate wiring, (4) abuse, (5) accident, (6) alteration, (7) misuse, (8) neglect, (9) unauthorized repair or the failure to utilize suitably qualified and trained persons to perform service and/or repair of the Product, (10) improper cleaning, (11) failure to follow installation, operating, cleaning or maintenance instructions, (12) use of "non-authorized" parts (i.e., parts that are not 100% compatible with the Product) which use voids the entire warranty, (13) Product parts in contact with water or the product dispensed which are adversely impacted by changes in liquid scale or chemical composition.

## Correct Disposal of this Product



RECYCLE

This marking indicates that this product should not be disposed with other household wastes throughout the EU. To prevent possible harm to the environment or human health from uncontrolled waste disposal, recycle it responsibly to promote the sustainable reuse of material resources. To return your used device, please use the return and collection systems or contact the retailer where the product was purchased. They can take this product for environmental safe recycling.

## Contact Information

To inquire about current revisions of any documentation or assistance with any Cornelius product, contact:

[www.marmonfoodservice.com](http://www.marmonfoodservice.com)

[www.cornelius.com](http://www.cornelius.com)

00-238-3600

## Trademarks and Copyrights

This document contains proprietary information and it may not be reproduced in any way without permission from Marmon-FoodService Technologies Inc. This document contains the original instructions for the unit described.

MARMON FOODSERVICE TECHNOLOGIES INC

355 Kehoe Blvd

Carol Stream, IL

el: + 1 800-238-3600

Printed in U.S.

# CABINET SECTION ASSEMBLY

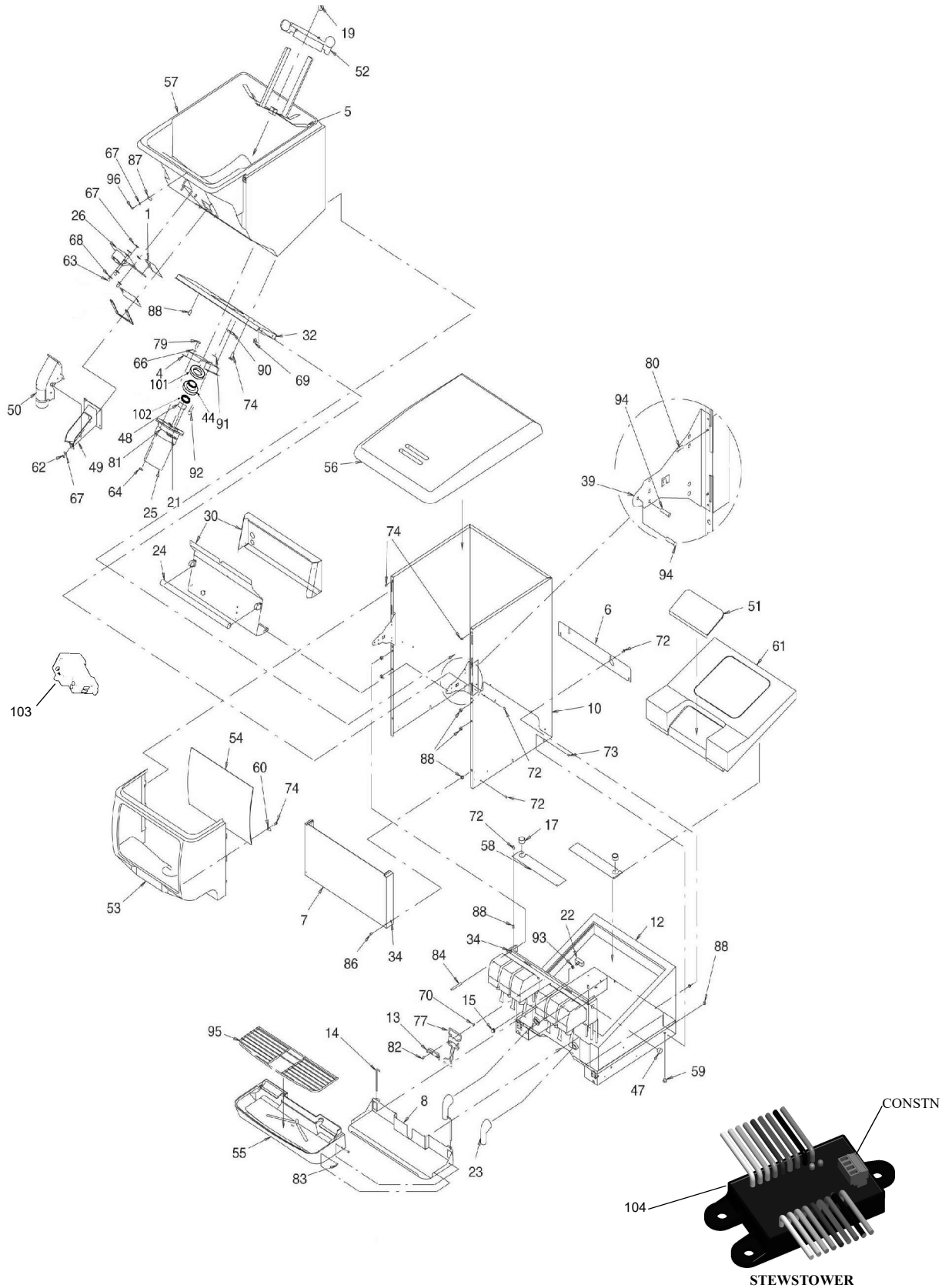


Figure 1.



Item No	Part No.	Name
1	21491	Gate Slide
3	Not used	
4	**29303R	Plate, Motor Mounting
5	15346	Agitator Assy
6	620021201	Cover, Rear Wrapper
7	629080213	Lower Panel Assy (For Drip Tray)
	629080215	Lower Panel Assy (Z Model)
8	620020101	Sink Extension Assy, Drip Tray
9	Not Used	
10	620035401	Wrapper
11	Not Used	
12	Contact Sales	Panel Cold Plate/Faucet Assy
13	27107	Retainer Lever, Ice Dispenser
14	10145	Pin Sink Ext.
15	31007	Switch Boot
16	50335	Insulation, Cold Plate Drain
17	50767	Heyco Snap Bushing
18	Not Used	
19	15087	Retainer, Agitator
20	Not Used	
21	30794	Motor Heater, 115 Volt
	32826	Motor Heater, 220-240 Volt
22	30895	Dispense Switc
23	53011	Elbow Cold Plate Drain
24	31622	Bulb-Daylight 18"
25	**620307901	Agitator Motor, 120 Vol
26	**620307902	Agitator Motor, 220-240 Vol
	33409	Solenoid Assembly, 220-240 Volt
27	Not Used	
28	Not Used	
29	Not Used	
	620302001	Electrical Box Ass'y, 120 Volts (ED 150 B and BC Models)

Item No	Part No.	Name
30	620303301	Electrical Box Ass'y, 120 Volts (ED 150 Ice Only)
	620302301	Electrical Box Ass'y, 220-240 Volts (ED 150 B and BC Models)
	620303302	Electrical Box Ass'y, 220-240 Volts (ED 150 Ice Only)
31	Not Used	
32	620045912	Brkt MTG Motor ED150 8V HICARB
33	Not Used	
34	71010	Washer, Captivating No. 8
35	Not Used	
36	Not Used	
37	Not Used	
38	Not Used	
39	620019701	Hinge, Gusset
40	Not Used	
41	Not Used	
42	Not Used	
43	Not Used	
44	**620061993	Seal, Agitator Motor Shaft
45	Not Used	
47	***51908	Plug (120 Volt Models Only)
48	**52876	Gasket, Motor Shaft
49	620500901	Ice Chute
50	53168	Ice Chute Cover
51	53241	Access Cover (Cold Plate Models Only)
52	53227	Agitator Disk
	Contact Sales	Merchandiser, Black
53	Contact Sales	Merchandiser, Gray
	620024118	Merchandiser, S.S.
	620024117	Merchandiser, S.S. (For Lid and Straw Holder)
	620024116	Merchandiser, S.S. (For Medal-lion)
	620024115	Merchandiser, S.S. (For Low Ice Light)



Item No	Part No.	Name
54	620502801	Lens, Merchandiser
55	620502701	Foamed Sink Assy, Black
	620502702	Foamed Sink Assy, Gray
56	620513503	Lid, Dispenser, Black
	620513504	Lid, Dispenser, Gray
57	620513502	Hopper Assy
58	620021901	Baffle
59	52967	Plug, Plastic
60	52972	Tab Retaining
61	53236	Cover (Cold Plate Models Only)
62	70016	Hex Nut, No. 10-32 S.S.
63	70017	Hex Nut, No. 10-32 Nylon Insert Locknut
64	**70018	Hex Nut, 1/4-20 Keps
65	Not Used	
66	**70048	Washer, .255 I.D.
67	70056	Washer, No. 10, .219 I.D.
68	70067	Washer, .218 I.D.
69	70076	Hex Nut, No. 8-32
70	70104	Nutsert No. 8-32
71	Contact Sales	
72	70171	Machine Screw, Phil Truss Hd, No. 8-32 By 3/8-In. Long
73	70178	Machine Screw, Phil Truss Hd, No. 8-32 By 1/2-In. Long
74	70204	Sheet Metal Screw, Phil Truss Hd, No. 8 By 1/2-In. Long
75	620513505	Spacer, Cabinet
76	51334	Adhesive Tape
77	15500	Dispense Lever, Short (Cup Activated)
	15488	Dispense Lever, Long (Cup Activated)
	15501	Push Lever (Ice Dispense)
78	Not Used	
79	70260	Machine Screw, Phil Rd Hd, 1/4-20 By 1-In. Long

Item No	Part No.	Name
80	70320	Pop Rivet, 1/8
81	70341	Spring, Hopper Gate Slide
82	620701601	Thread Forming Screw, Phil Pan Hd, No. 10-16 By 1/2-In. Long
83	70478R	Clip, Push On
84	70555	Machine Screw, Phil Truss Hd, No. 8-32 By 3 1/4-In. Long
85	70750	Hose Clamp, Worn
86	70555	Machine Screw, Phil Truss Hd, No. 8-32 By 2 1/2-In. Long
87	53299	Clip, Black
88	70959	Hex Nutsert, No. 8-32
89	70970	Leg, Black
90	70992	Receptacle, 1/4 Turn
91	**70993	Retainer, 1/4 Turn
92	**70994	Stud Wing Hd, 1/4 Turn
93	70847	Spacer, Dispense Switch
94	70456	3/16 Pop Rivet
95	620700301	Cup Rest
96	71089	Shoulder Screw, No. 8-32
97	51288	Adapter, 1" Barb x 3/4 M.P.T. (For Drip Tray Drain)
98	50952	Adapter, 3/4 soc x 3/4 F.P.T. (For Drip Tray Drain)
99	620702201	Cold Plate Cleaning Brush
100	620035402	Bracket, E-Box Spacer
101	**620061994	Gasket
102	**620062925	Quad-ring
103	740002338	Breaker RCBO Device
104	740002335	Breaker STEWSTOWER

**NOTE: \* Not Shown**

**\*\*Parts included in Agitator Motor Kit**

**\*\*\*For 220-240V Models, 51908 Plug Replaced By 62303001 Push Button Switch Actuator and 620303002 Switch Block**

## KIT ICE CHUTE DOUBLE GASKET

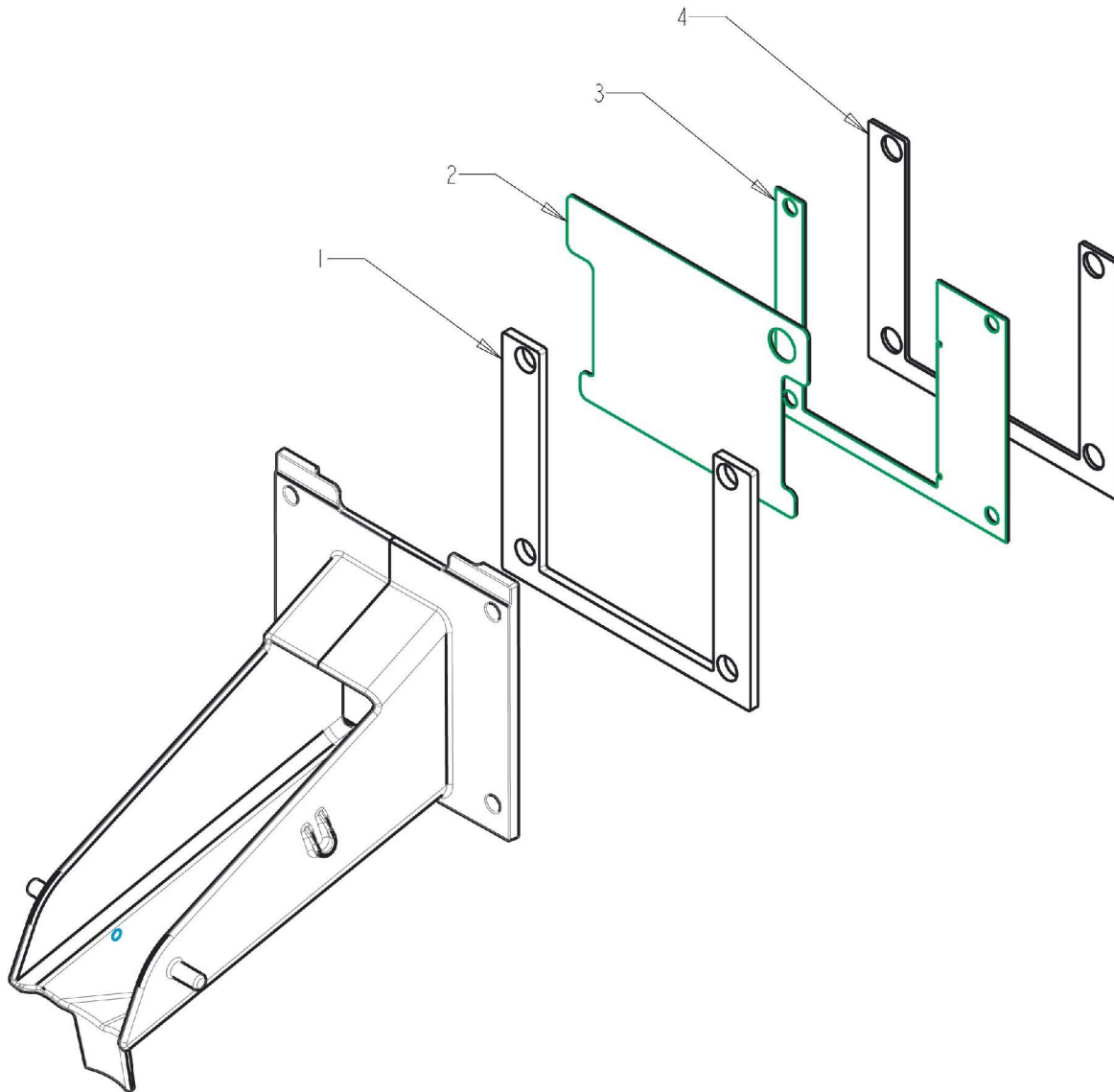


Figure 2.

Item No.	Part No.	Name
1	<a href="#">620059717</a>	Gasket Out Gate Outer (Red)
2	<a href="#">620059707</a>	Gate Restrictor
3	<a href="#">620059705</a>	*Deflector Ice Gate
	<a href="#">620059706</a>	*Deflector Ice Gate RH ED300
4	<a href="#">620059718</a>	Gasket Ice Gate Inner (Black)

**NOTE:** \* Used on soft Ice models only.



**CAUTION:**

Tighten #10-32 Nuts to 3.0 IN\* LBS of Torque. Red gasket will deform slightly under load, but should not squeeze out of seal path.

## ELECTRICAL BOX ASSEMBLY - FLUORESCENT LIGHTING

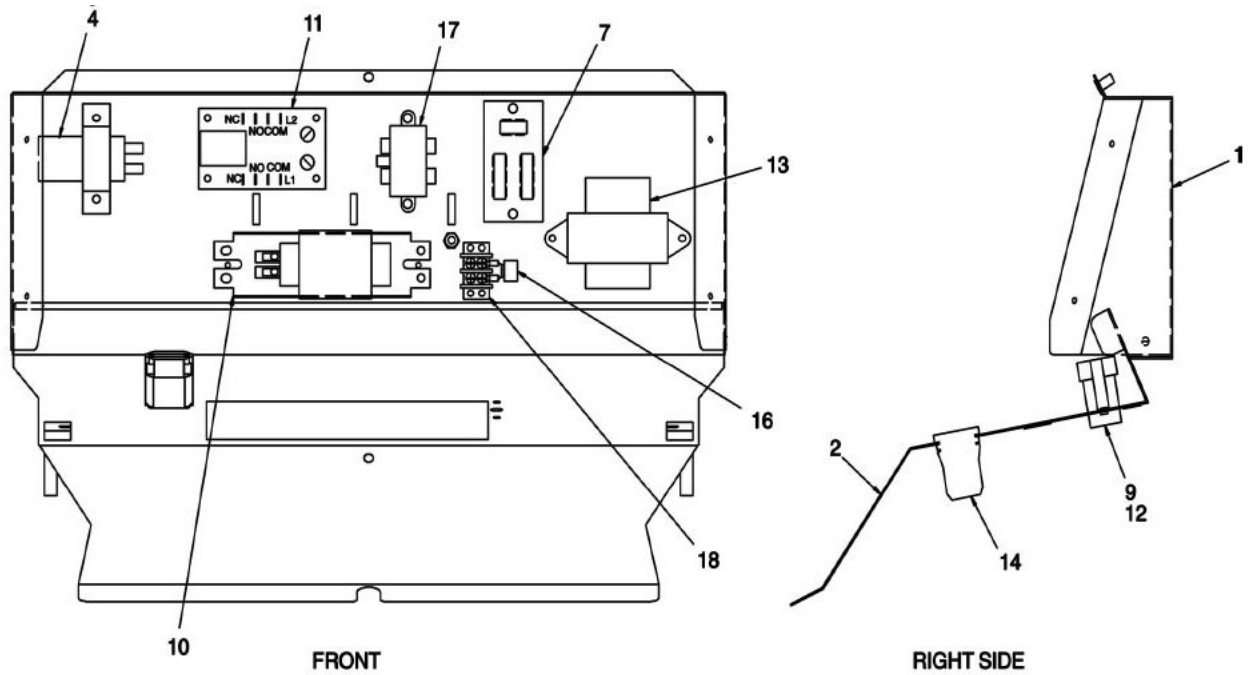


Figure 3.

Item No.	Part No.	Description
1	620019001	Electrical Box
2	620019101	Reflector, Panel
3	Not Used	
4	30514	Clamp, Capacitor, 120 Volts
	620308102	Clamp, Capacitor, 220-240 Volts
5	30774	Capacitor, 120 Volt
	620308101	Capacitor, 220-240 Volt
6	Not Used	
7	31107	Terminal Board
8	Not Used	
9	31620	Starter 110 Volt
	620054076	Starter 240 Volt

Item No.	Part No.	Description
10	31621	Ballast, 120 Volt
	33662	Ballast, 220-240 Volt
11	620314803	Timer, Agitation, 120 Volt
	620314802	Timer, Agitation, 220-240 Volt
12	620302201	Socket, Starter
13	32682	Transformer, 120 Volts
	32829R	Transformer, 220-240 Volts
14	620302101	Lamp-holder
15	Not Used	
16	620304601	Varistor, 220-240 Volts
17	620307301	Filter, 220-240 Volts
18	32244	Terminal Strip, 220-240 Volts

## ELECTRICAL BOX ASSEMBLY - LED LIGHTING

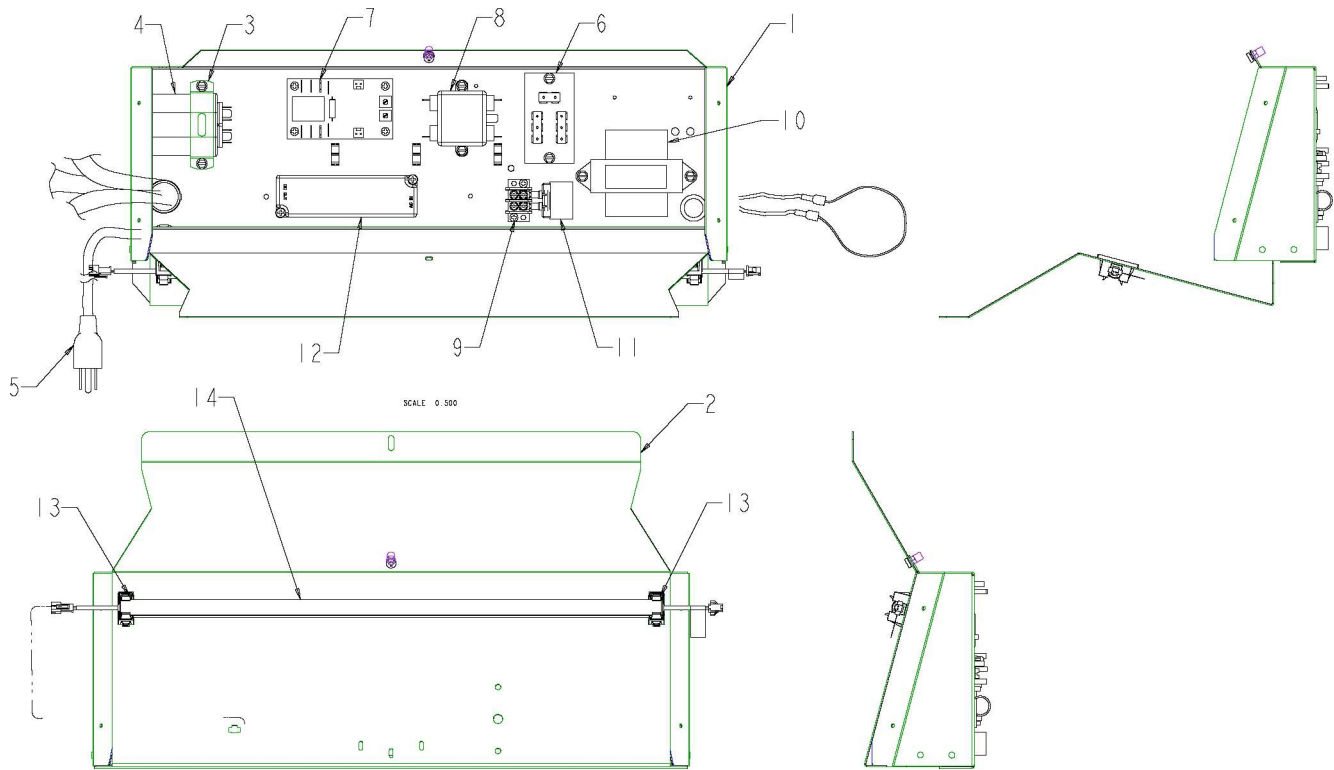


Figure 4.

Item No.	Part No.	Description
1	620019001	BOX ELEC ED150
2	620200105	REFLECTOR PANEL ED150
3	30514	CLAMP CAPACITOR 120 V
	620308102	CLAMP CAPACITOR 220-240 V
4	30774	CAPACITOR 120V (AGITATOR MOTOR)
	620308101	CAPACITOR 220-240 V (AGITATOR MOTOR)
5	30995	POWER CORD, 120V
	620302901	POWER CORD, 220-240 V
6	31107	TERMINAL BLOCK

Item No.	Part No.	Description
7	620314803	TIMER, AGITATION, 120 V
	620314802	TIMER, AGITATION, 220 - 240 V
8	620307301	FILTER, POWER LINE, 220 - 240 V
9	32244	TERMINAL STRIP, 220 -240 V
10	32682	TRANSFORMER, 120 V
	32829R	TRANSFORMER, 220 - 240 V
11	620304601	VARIATOR, 220 - 240 V
12	620057649-018	PWR-SUPPLY 24VDC 20W LED ASSY
13	620064161	CLIP RETAINING LED LIGHT BAR
14	620064030-002	LIGHT TUBE 18" 8W 24VDC
15	740002338	BREAKER RCBO DEVICE

## SOLENOID ASSEMBLY

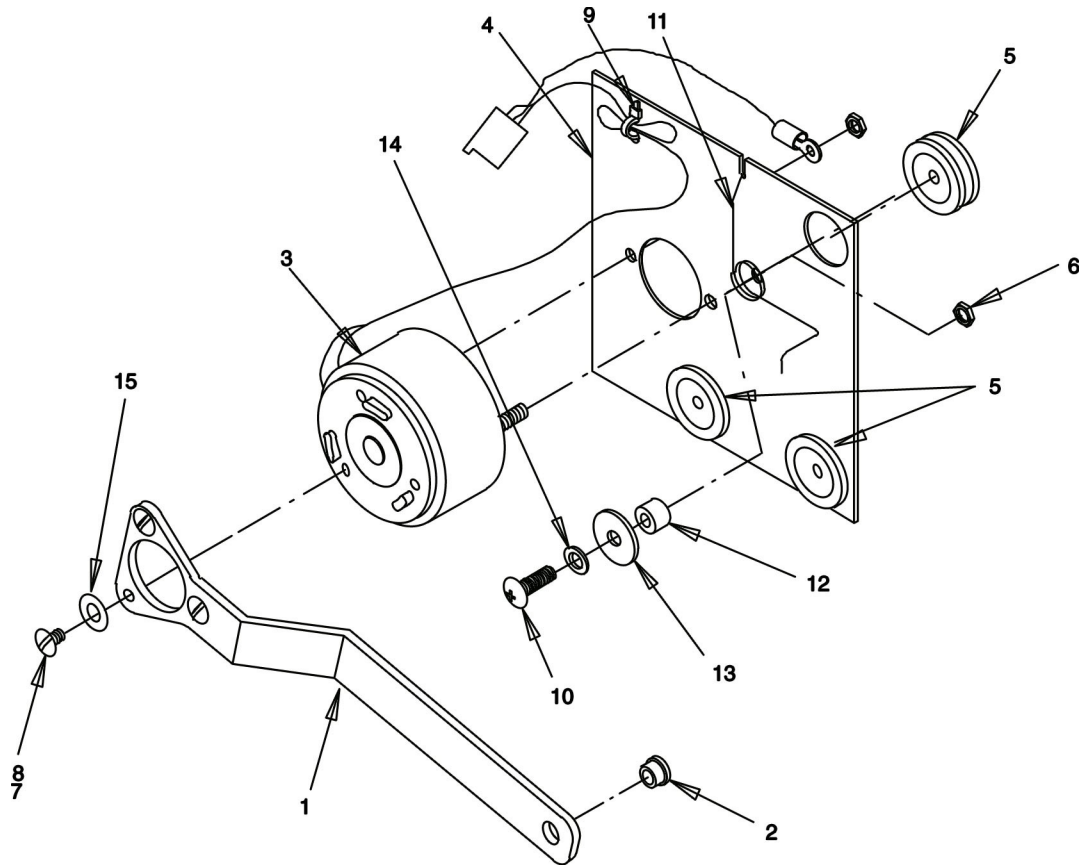


Figure 5.

Item No	Part No.	Description
1	<a href="#">28173</a>	Arm, Gate Lift
2	<a href="#">50754</a>	Bearing, Gate Arm
3	<a href="#">32957</a>	Solenoid, 120 Volts
	<a href="#">33397</a>	Solenoid, 220-240 Volts
4	<a href="#">28172</a>	Plate, Solenoid Mounting
5	<a href="#">50752</a>	Isolator
6	70015	Hex Nut, No. 10-32
7	<a href="#">51689</a>	Locktite

Item No	Part No.	Description
8	<a href="#">70162</a>	Screw, No. 8-32 By 1/4-In. Long
9	50705	Tie Cable
10	<a href="#">70165</a>	Screw, No. 8-32 By 5/8-In. Long
11	<a href="#">71007</a>	Spring, Solenoid Arm
12	<a href="#">51348</a>	Space
13	<a href="#">70067</a>	Washer, .218 I.D. By .875 O.D.
14	<a href="#">70057</a>	Lock washer, No. 10
15	<a href="#">70052</a>	Flat washer, No. 8

## DRAIN ASSEMBLY

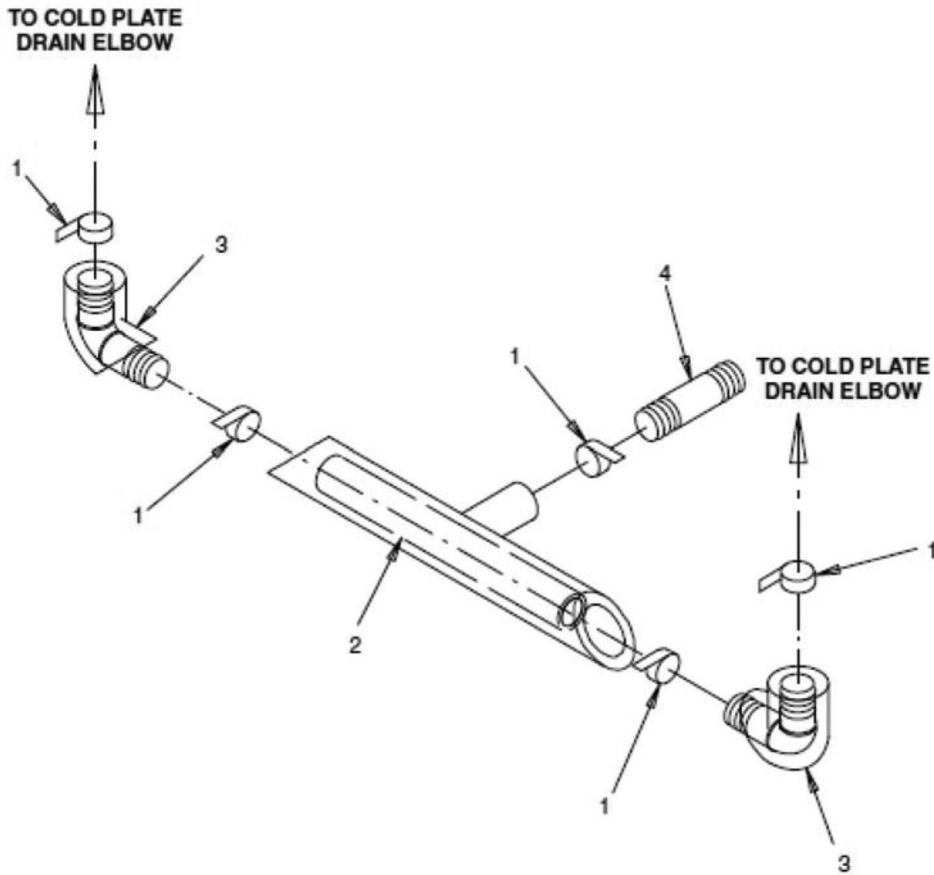


Figure 6.

Item No.	Part No.	Description
1	<a href="#">70750</a>	Hose Clamp
2	<a href="#">53170</a>	Drain Tube
3	<a href="#">51280</a>	Elbow
4	<a href="#">53293</a>	Coupler

## COMPONENTS FOR FLAVOR UNITS

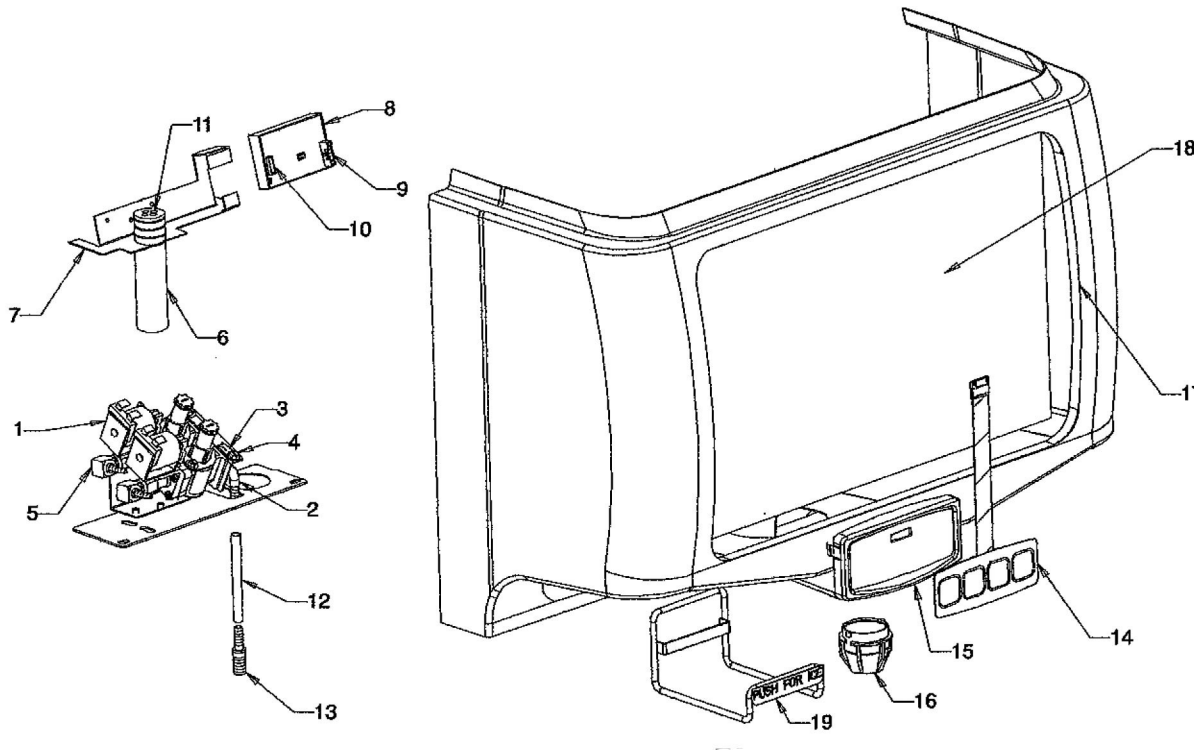


Figure 7.

Item	Part No.	Description
1	2487	Flow control assembly
2	620709068	Fitting elbow 1/4 barb
3	620046335	Retainer valve
4	319941000	Screw tr 08-32 hxws
5	620718932	Fitting 90 swivel 1/8 barb
6	620715821	Inner nozzle
7	620052029	Nozzle bracket 1xx
8	620314823	PC Board
*9	620313657	Jumper PCB to keypad 4FL
	620313658	Jumper PCB to keypad 2FL
*10	620316443	Harness solenoid 4
	620316442	Harness solenoid 2

Item	Part No.	Description
*11	770000119	Tubing syrup 1/8 id
12	50299	Tubing bev 265 id x 465 od
13	77040700	Fitg splicer x 3/8
14	620313239	Membrane switch 4 button
15	620516527	Housing – keypad/nozzle
16	1945	Outer nozzle
17	620519209	Merch flavor blast, ED175 Blk
	620519211	Merch flavor blast, ED175 Gry
18	620920065	Graphic flavor blast, ED150
19	620709313	Ice Lever, Push Bar – Flav

**NOTE: \* Not Shown**

## WATER MANIFOLD ASSEMBLY

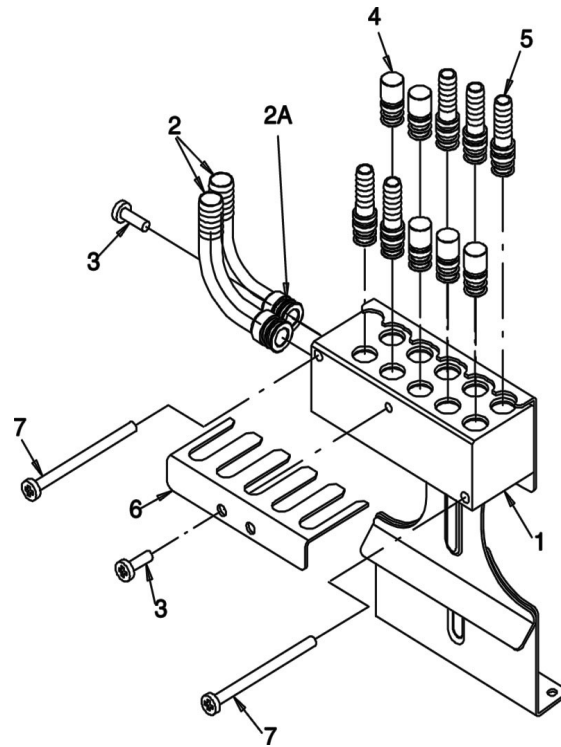


Figure 8

Item No	Part No.	Description
1	620407726	Manifold Flex
2	620709065	Fitting Elbow 1/2 X 3/8 Brb
2A	100057	O-ring
3	70204	Screw Sm #8 X 1/2
4	620519005	Plug 3/8 w/O-ring
5	620709066	Fitting Straight 3/8 X 1/4 Barb
6	620046316	Retainer Clip
7	620706632	Screw TRPH #8-18 X 2 Waxed
*	620711913	Insulation Block, RH
*	620711914	Insulation Block, LH
*	620715408	Hook and Loop Fastener

**NOTE: \* Not Shown**

**Marmon Foodservice Technologies, Inc**  
**[www.marmonfoodservice.com](http://www.marmonfoodservice.com)**  
**[www.cornelius.com](http://www.cornelius.com)**