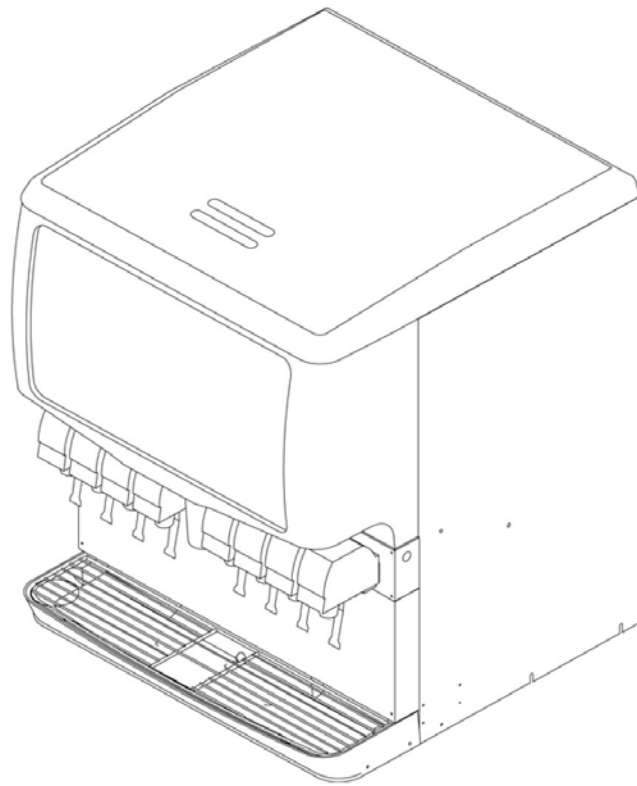




---

# ILLUSTRATED PARTS LIST

## ENDURO - 200/250



**Publication Number: 92108IPL**

**Revision Date: April 4, 2012**

**Revision: H**

Visit the IMI Cornelius web site at [www.cornelius.com](http://www.cornelius.com) for all your Literature needs.

The products, technical information, and instructions contained in this manual are subject to change without notice. These instructions are not intended to cover all details or variations of the equipment, nor to provide for every possible contingency in the installation, operation or maintenance of this equipment. This manual assumes that the person(s) working on the equipment have been trained and are skilled in working with electrical, plumbing, pneumatic, and mechanical equipment. It is assumed that appropriate safety precautions are taken and that all local safety and construction requirements are being met, in addition to the information contained in this manual.

This Product is warranted only as provided in Cornelius' Commercial Warranty applicable to this Product and is subject to all of the restrictions and limitations contained in the Commercial Warranty.

Cornelius will not be responsible for any repair, replacement or other service required by or loss or damage resulting from any of the following occurrences, including but not limited to, (1) other than normal and proper use and normal service conditions with respect to the Product, (2) improper voltage, (3) inadequate wiring, (4) abuse, (5) accident, (6) alteration, (7) misuse, (8) neglect, (9) unauthorized repair or the failure to utilize suitably qualified and trained persons to perform service and/or repair of the Product, (10) improper cleaning, (11) failure to follow installation, operating, cleaning or maintenance instructions, (12) use of "non-authorized" parts (i.e., parts that are not 100% compatible with the Product) which use voids the entire warranty, (13) Product parts in contact with water or the product dispensed which are adversely impacted by changes in liquid scale or chemical composition.

### **Contact Information:**

To inquire about current revisions of this and other documentation or for assistance with any Cornelius product contact:

**[www.cornelius.com](http://www.cornelius.com)**

**800-238-3600**

### **Trademarks and Copyrights:**

This document contains proprietary information and it may not be reproduced in any way without permission from Cornelius.

Printed in U.S.A.

# CABINET SECTION ASSEMBLY

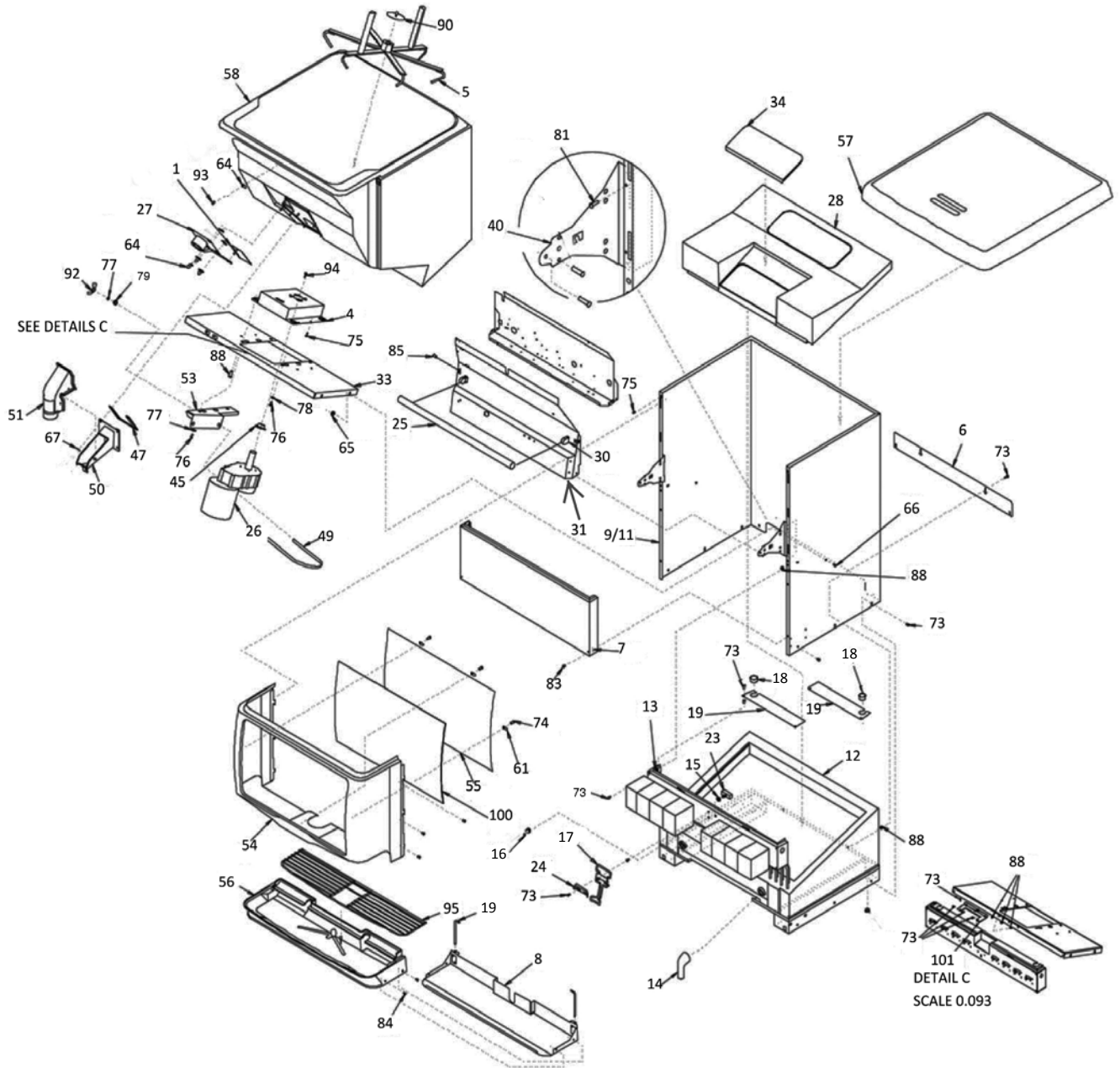


Figure 1.



Item No.	Part No.	Name
1	21491	Slide, Gate
2	22081R	Restrictor, Gate
3	Not used	
4	29541R	Plate, Motor Mount
5	29694	Agitator
6	29555	Cover, Rear Wrapper
7	Not Used	
8	620028702	Support, Drip Tray (Use for units built after 11/15/98. Serial number cut off: DF – ZRM1013131 and ED – 62A9841ED343)
9	29540R	Cabinet 200
11	29547	Cabinet 250
12	Not Used	
13	Contact Sales	Panel/Cold Plate/Valve Ass'y
14	53011	Fitting, Cold Plate
15	Not Used	
16	31007	Boot, Switch
17	15500	Dispense Lever, Short (Cup Acti-vated)
	15488	Dispense Lever, Long (Cup Acti-vated)
	15502	Push Lever Ice Dispense
18	50767	Snap Bushing
19	10145	Pin, Drip Tray
20	Not Shown	
21	Not Used	
22	Not Used	
	Not Shown	
	Not Shown	
23	02070	Dispense Switch Kit (Includes switch #14, boot #22, spacer #91)
24	27107	Retainer, Ice Dispense lever
25	31928	Bulb, Florescent
26	620314922	Agitator Motor 120 Volt (Use for units beginning with serial number 62A0540ED248)
	33404	Agitator Motor 220-240 Volt
	620048092	Capacitor, 250V 20mfd.
27	32954	Solenoid Assembly, 120 Volt
	33409	Solenoid Assembly, 220-240 Volt
28	53255	Cover, Access (Cold Plate)
29	Not Shown	
30	Not Shown	

Item No.	Part No.	Name	
31	Not Used		
32	Not Shown		
33	29542	Bracket, Motor Mount	
36	71010	Washer, Captivating No. 8	
37	Not Shown		
38	Not Used		
39	Not Used		
40	Not Used		
41	Not Used		
42	Not Used		
43	Not Used		
44	Not Used		
45	Not Used		
46	Not Shown		
47	Not Used		
48	Not Shown		
49	71025	Strap, Motor, 220–240V?	
	620516432	Strap, Motor, 120V	
50	620500901	Ice Chute	
52	Not Shown		
53	15132	Motor Mount, 220–240V	
	620052843	Motor Mount, 120V	
54	53001	Merchandiser, Gray (ED250)	
	53000	Merchandiser, Gray, (ED200)	
	52912	Merchandiser, Black, (ED250)	
	52911	Merchandiser, Black, (ED200)	
	15754	Merchandiser, S.S., (ED250)	
	15755	Merchandiser, S.S., (ED200)	
	620011505	Merchandiser, S.S., (For Lid & Straw Holder ED250)	
	620011509	Merchandiser, S.S., (For Lid & Straw Holder ED200)	
	620011506	Merchandiser, S.S., (For Medallion ED250)	
	620011510	Merchandiser, S.S., (For Medallion ED200)	
	620011507	Merchandiser, S.S., (For Low Ice Light ED250)	
	620011511	Merchandiser, S.S., (For Low Ice Light ED200)	
	55	52950	Panel, Inner, ED250
		52949	White Lens, ED200
	56	53211	Drip Tray, Gray, Insulated
53210		Drip Tray, Black, Insulated	
58	53018	Lid, Dispenser, Gray	
	52909	Lid, Dispenser, Black	



Item No.	Part No.	Name
59	Not Shown	
60	Not Used	
61	52972	Tab, Retaining
62	Not Shown	
63	Not Used	
64	70016	Hex Nut, No. 10-32
65	70017	Hex Nut, No. 10-32, Nyloc
66	53299	Tab, Retaining
67	70242	Screw, No. 10-32 By 3/8-In. Long
68	Not Used	
69	Not Used	
70	Not Used	
71	Not Used	
72	Not Used	
73	Not Used	
74	70171	Screw, No. 8-32 By 3/8-In. Long
75	70178	Screw, No. 8-32 By 1/2-In. Long
76	70204	Screw, No. 8 By 1/2-In. Long
77	Not Used	
78	71033	Screw, 3/8-16 by 3/4In. long
79	Not Used	
80	Not Used	
81	70320	Pop Rivet, 1/8 Dia.
82	70341	Spring, Motor Heater
83	Not Shown	
84	70478R	Clip, Push-on
85	70555	Screw, No. 8-32 By 2 5/8-In. Long
86	Not Shown	
87	620701601	Sheet Metal Screw, No. 10 By 1/2-In. Long
88	Not Used	
89	70959	Hex Nutsert, No. 8-32
90	15087	Disk Agitator
91		
92		
93		
94		
95	Contact Sales	Grill,Cup rest
96	Not Used	
97	Not Used	
98	Not Used	
99	Not Used	

Item No.	Part No.	Name
100	Not Used	
101	620045417	Bracket, Support

**NOTE: \* Not Shown**

**\*\*Parts included in Agitator Moter Kit**

**\*\*\*For 220-240V Models, 51908 Plug Replaced By 62303001 Push Button Switch Actuator and 620303002 Switch Block**

## ELECTRICAL BOX ASSEMBLY

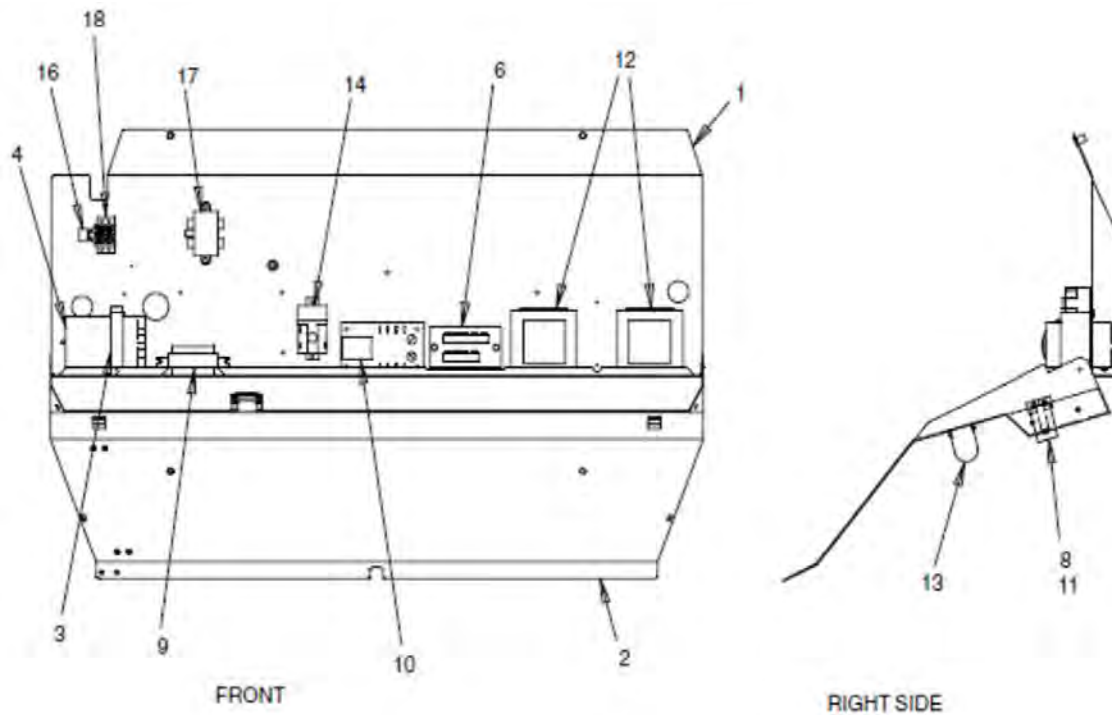


Figure 2.

Item No.	Part No.	Description
1	620022001	Electrical Box (ED250)
	620020902	Electrical Box (ED200)
2	620022101	Reflector Panel (ED250)
	620020901	Reflector Panel (ED200)
3	620021101	Clamp, Capacitor, 220-240V
4	33160R	Capacitor, Agitator Motor, 220-240V
5	30995	Power Cord, 120 Volts
	620302901	Power Cord, 220-240 Volts
6	30960	Terminal Board, 120 Volts?
	31107	Terminal Board, 220-240 Volts
7	Not Used	
8	31620	Starter 110 Volt
	620054076	Starter 240 Volt
9	31621	Ballast, 120 Volt
	33662	Ballast, 220-240 Volt
10	629087448	Agitation Timer Kit, 120 Volts
	629087451	Agitation Timer Kit, 220-240 Volts
11	620302201	Socket, Starter

Item No.	Part No.	Description
12	32682	Transformer, 120 Volts
	32829R	Transformer, 220-240 Volts
13	620302101	Lamp-holder
14	620306601	Relay, Start, 220-240 Volts
15	Not Used	
16	620304601	Varistor, 220-240 Volts
17	620307301	Filter, 220-240 Volts
18	32244	Terminal Strip, 220-240 Volts

## SOLENOID ASSEMBLY

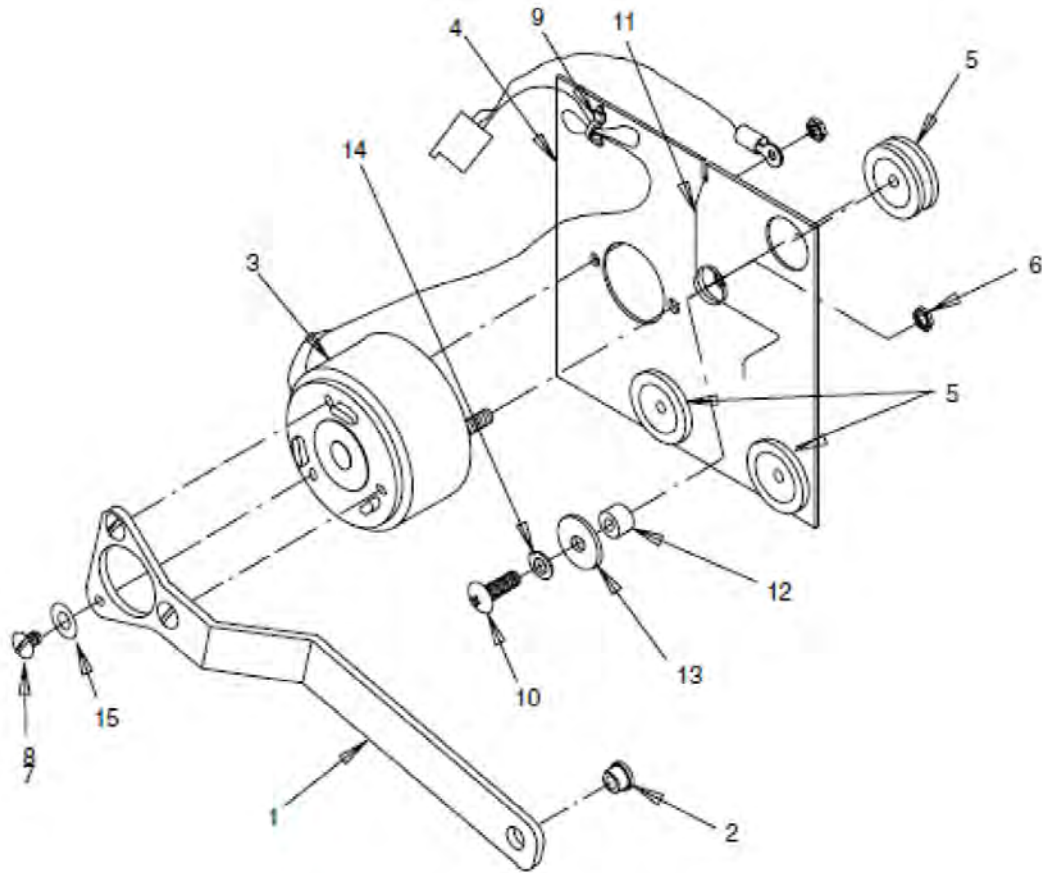


Figure 3.

Item No.	Part No.	Description
1	28173	Arm, Gate Lift
2	50754	Bearing, Gate Arm
3	32957	Solenoid, 120 Volts
	33397	Solenoid, 220-240 Volts
4	28172	Plate, Solenoid Mounting
5	50752	Isolator
6	70015	Hex Nut, No. 10-32
7	51689	Locktite
8	70162	Screw, No. 8-32 By 1/4-In. Long
9	50705	Tie Cable
10	70165	Screw, No. 8-32 By 5/8-In. Long
11	71007	Spring, Solenoid Arm

Item No.	Part No.	Description
12	51348	Space
13	70067	Washer, .218 I.D. By .875 O.D.
14	70057	Lockwasher, No. 10
15	70052	Flatwasher, No. 8
*	70485	Gate Slide Spring (Attaches to gate lift arm on Solenoid Assy. Need Qty. 2.)

**NOTE: \* Not Shown**

## DRAIN ASSEMBLY

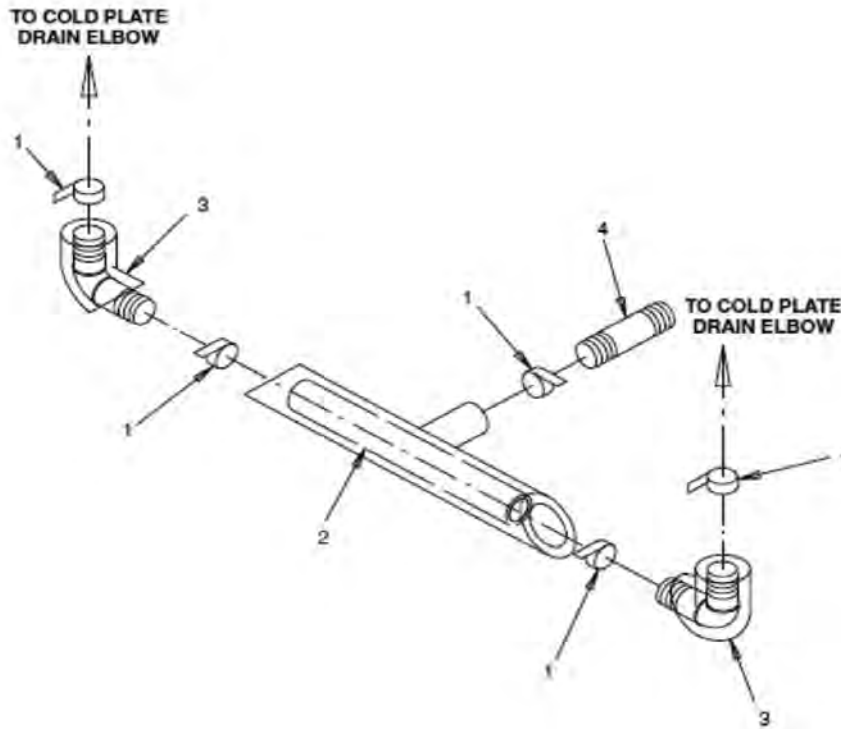


Figure 4.

Item No.	Part No.	Description
1	70750	Hose Clamp
2	53169	Drain Tube 1
3	51280	Elbow 2
4	53293	Coupler 1
*	629080104	Kit Sink to Z Style DF200/250 (Z = no drip tray or cuprest. This kit removes tray and cup rest. Allows unit to sit on counter with built in tray and cup rest.)

Item No.	Part No.	Description
*	629080304	Kit Z Style to Sink DF200/250 Gray (Z = no drip tray or cup rest. This kit adds drip try and cup rest to unit.)
*	629080303	Kit Z Style to Sink DF200/250 Black (Z = no drip tray or cup rest. This kit adds drip try and cup rest to unit.)

## COMPONENTS FOR FLAVOR UNITS

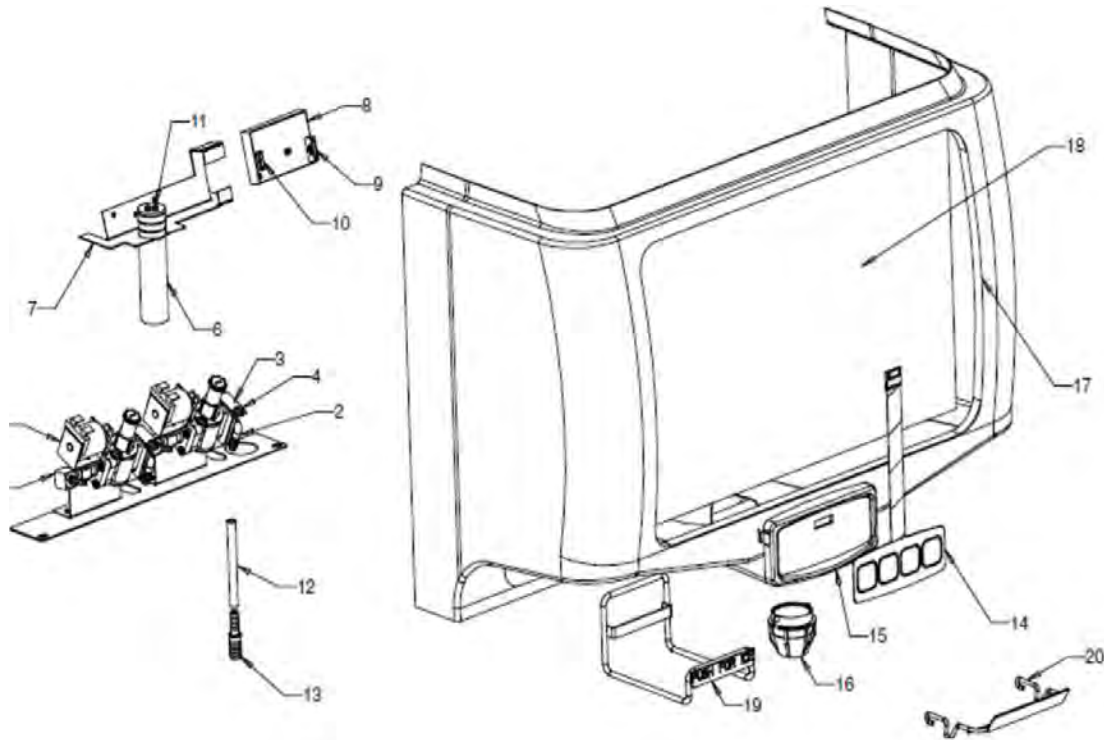


Figure 5.

Item No.	Part No.	Description
1	2487	Flow control assembly
2	620709068	Fitting elbow 1/4 barb
3	620046335	Retainer valve
4	319941000	Screw tr 08-32 hxws
5	620718932	Fitting 90 swivel 1/8 barb
6	620715821	Inner nozzle
7	620052042	Nozzle bracket 200/250
8	620314823	PC Board
*9	620313657	Jumper PCB to keypad 4
	620313658	Jumper PCB to keypad 2 fl
*10	620316443	Harness solenoid 4
	620316442	Harness solenoid 2
*11	770000119	Tubing syrup 1/8 id
12	50299	Tubing bev 265 id x 465 od
13	77040700	Fitg splicer 1/4 x 3/8
14	620313239	Membrane switch 4 button
15	620516527	Housing – keypad/nozzle

Item No.	Part No.	Description
16	1945	Outer nozzle
17	620519217	Merch FlavorBlast, ED200 blk
	620519213	Merch FlavorBlast, ED250 blk
	620519214	Merch FlavorBlast, ED250 gry
	620519212	Merch FlavorBlast, ED200 gry
*18	620920066	Graphic FlavorBlast, ED200
	620920067	Graphic FlavorBlast, ED200
19	620709313	Lever Ice Push Bar – FlavorBlast
20	620516221	Splashshield FlavorBlast

**NOTE: \* Not Shown**

# WATER MANIFOLD ASSEMBLY

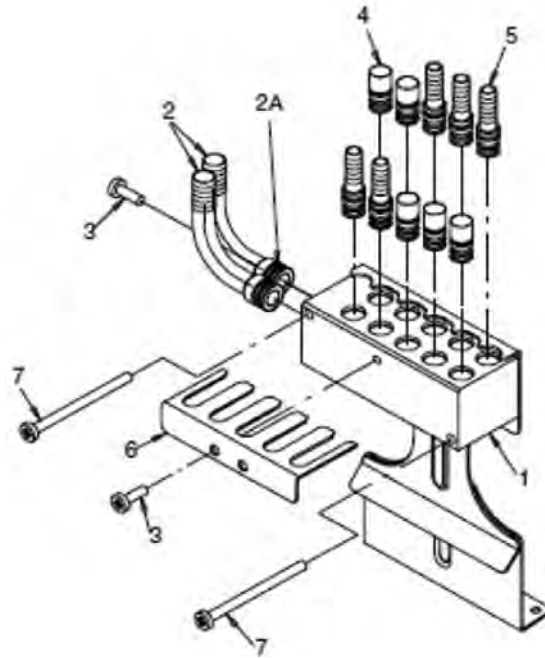


Figure 6.

Item No.	Part No.	Description
1	620407726	Manifold Flex
2	620709065	Fitg Elbow 1/2 X 3/8 Brb
2A	100057	O-rin
3	70204	Screw Sm #8 X 1/2
4	620519005	Plug 3/8 w/O-ring
5	620709066	Fitg Straight 3/8 X 1/4 Brb
6	620046316	Retainer Clip
7	620706632	Screw TRPH #8-18 X 2 Waxed
*	620711913	Insulation Block, RH
*	620711914	Insulation Block, LH
*	620715408	Hook and Loop Fastener

**NOTE: \* Not Shown**



**IMI Cornelius Inc.**  
**[www.cornelius.com](http://www.cornelius.com)**