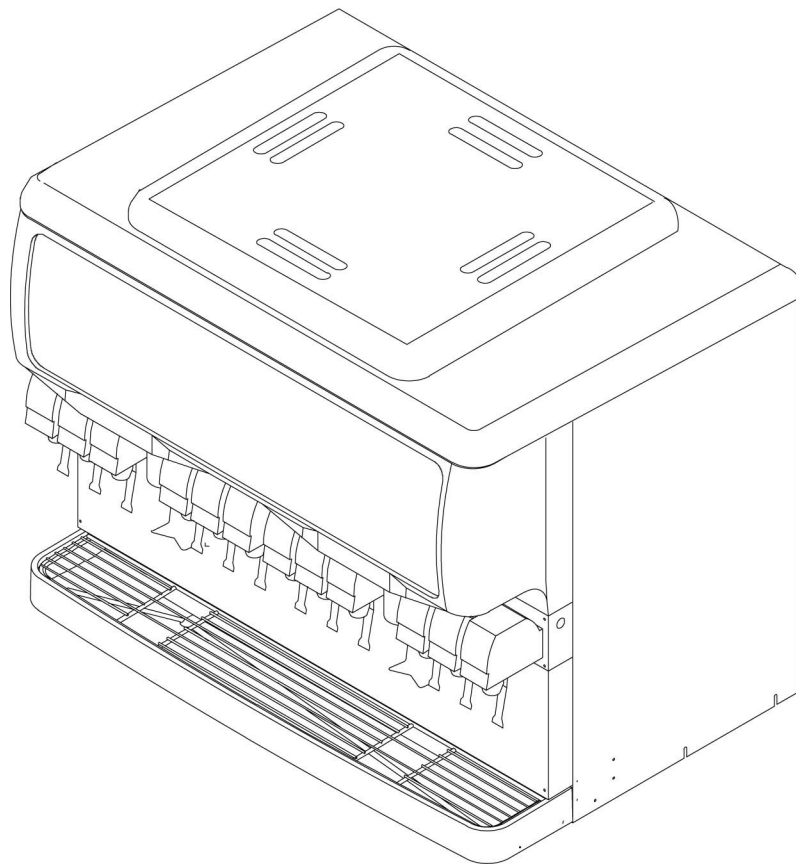


ILLUSTRATED PARTS LIST

ENDURO-300 BC



Release Date: March 25, 2004

Publication Number: 92059IPL

Revision Date: September 26, 2023

Revision: J



**Marmon Foodservice
Technologies**

A Berkshire Hathaway Company

Visit the Cornelius web site at www.cornelius.com for all your Literature needs.

Notice:

The products, technical information, and instructions contained in this manual are subject to change without notice. These instructions are not intended to cover all details or variations of the equipment, nor to provide for every possible contingency in the installation, operation or maintenance of this equipment. This manual assumes that the person(s) working on the equipment have been trained and are skilled in working with electrical, plumbing, pneumatic, and mechanical equipment. It is assumed that appropriate safety precautions are taken and that all local safety and construction requirements are being met, in addition to the information contained in this manual. This Product is warranted only as provided in Cornelius' Commercial Warranty applicable to this Product and is subject to all of the restrictions and limitations contained in the Commercial Warranty. Cornelius will not be responsible for any repair, replacement or other service required by or loss or damage resulting from any of the following occurrences, including but not limited to, (1) other than normal and proper use and normal service conditions with respect to the Product, (2) improper voltage, (3) inadequate wiring, (4) abuse, (5) accident, (6) alteration, (7) misuse, (8) neglect, (9) unauthorized repair or the failure to utilize suitably qualified and trained persons to perform service and/or repair of the Product, (10) improper cleaning, (11) failure to follow installation, operating, cleaning or maintenance instructions, (12) use of "non-authorized" parts (i.e., parts that are not 100% compatible with the Product) which use voids the entire warranty, (13) Product parts in contact with water or the product dispensed which are adversely impacted by changes in liquid scale or chemical composition.

Correct Disposal of this Product



RECYCLE

This marking indicates that this product should not be disposed with other household wastes throughout the EU. To prevent possible harm to the environment or human health from uncontrolled waste disposal, recycle it responsibly to promote the sustainable reuse of material resources. To return your used device, please use the return and collection systems or contact the retailer where the product was purchased. They can take this product for environmental safe recycling.

Contact Information

To inquire about current revisions of any documentation or assistance with any Cornelius product, contact:

www.marmonfoodservice.com

www.cornelius.com

800-238-3600

Trademarks and Copyrights

This document contains proprietary information and it may not be reproduced in any way without permission from Marmon-FoodService Technologies Inc. This document contains the original instructions for the unit described.

MARMON FOODSERVICE TECHNOLOGIES INC

355 Kehoe Blvd

Carol Stream, IL

Tel: + 1 800-238-3600

Printed in U.S.

CABINET

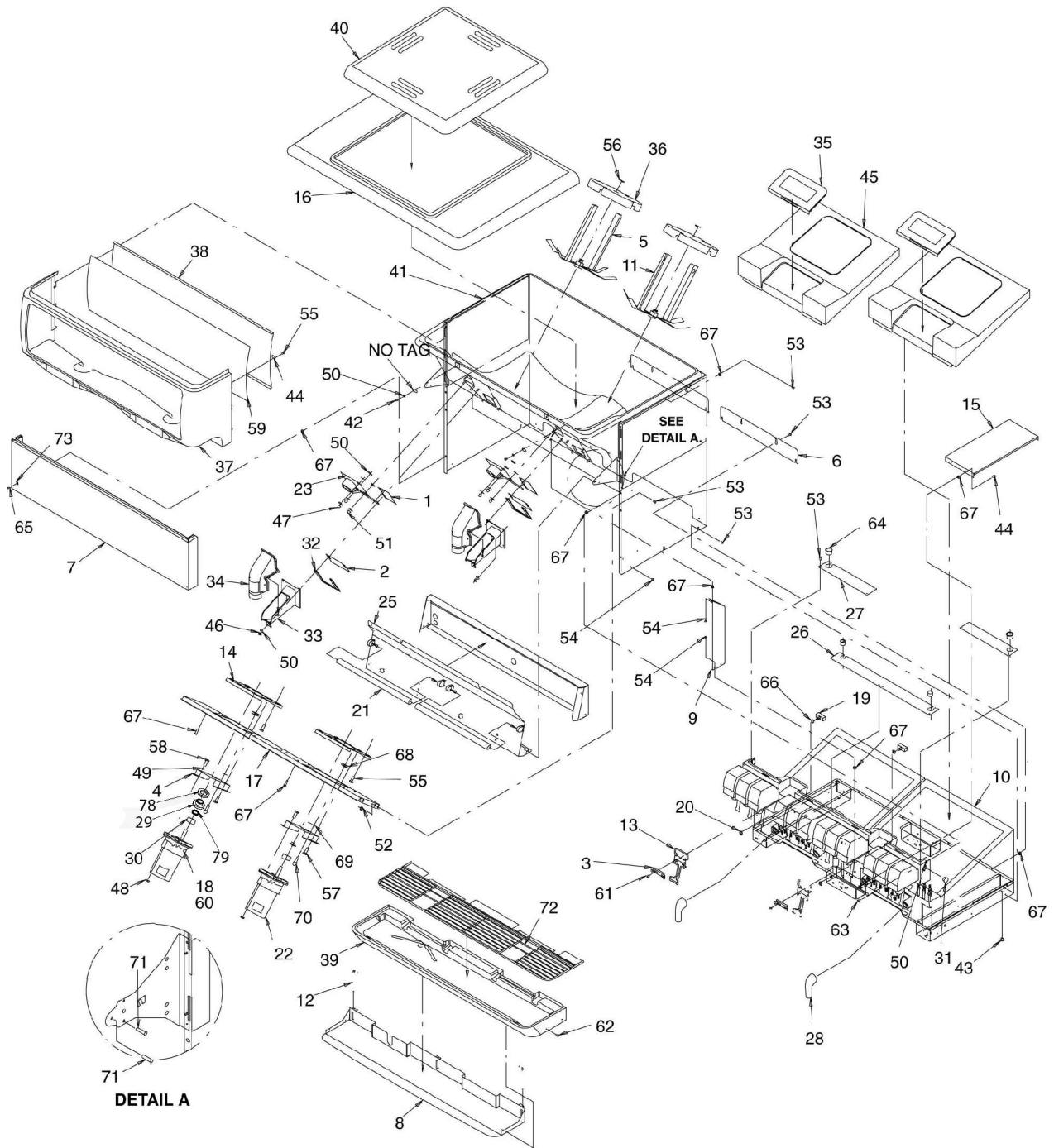


Figure 1.



Item No.	Part No.	Name
1	21491	Slide, Gate
2	22081R	Restrictor, Gate
3	27107	Retainer, Lever, Ice Disenser
4	**29303R	Plate, Moter Mount
5	15213	Agitator Ass'y, Left
6	29483	Cover, Rear
7	629080209	Panel Ass'y, Lower (For Drip Tray Cold Plate Models)
	629080211	Panel Ass'y, Lower (For Cold Plate "Z" without Drip Tray Models)
	620044541	Panel Ass'y, Lower (For Drip Tray Non-Cold Plate Models)
	15601	Panel Ass'y, Lower Z (Without Drip Tray Non-Cold Plate Models)
8	15196	Extension, Drip Tray
9	29507	Bracket, Motor Support
10	Contact Sales	Panel Cold Plate/Faucet Ass'y
11	15214	Agitator, Right
12	10145	Pin, Mounting Drip Tray
13	15500	Dispense Lever, Short (Cup Activated)
	15488	Dispense Lever, Long (Cup Activated)
	15502	Push Lever, Ice Dispense
14	15218	Plate, Motor Mounting
15	29667	Support, Product Lines
16	53136	Lid, Lower
17	29493	Bracket, Motor Mounting
18	30794	Agitator Motor Heater, 120V
	32826	Agitator Motor Heater, 220-240V
19	30895	Switch, Dispense
20	31007	Boot, Switch
21	31622	Bulb, Florescent
22	**620307901	Agitator Motor, 120V
	**620307902	Agitator Motor, 220-240V
23	32954	Solenoid Ass'y, 120V
	33409	Solenoid Ass'y, 220-240V
24	620304001	Electrical Box Ass'y, 220-240V (B & BC Models)
25	620304201	Electrical Box Ass'y, 120V (B & BC Models)
	620303901	Electrical Box Ass'y, 120V (Ice Only)
26	15811	Baffle, Center
27	15437	Baffle, Side

Item No.	Part No.	Name
28	53011	Elbow, Cold Plate Drain
29	**620061993	Shaft Seal, Agitator Motor
30	52876	Gasket, Motor Shaft
31	***51908	Plug, 120 Volts Models Only
32	51891	Gasket, Gate
33	620500901	Ice Chute
34	53168	Cover, Ice Chute
35	53241	Access Cover (Cold Plate Models Only)
36	53185	Disk, Agitator
37	52937	Merchandiser Black
	52952	Merchandiser, Gray
	620011504 620033201	Merchandiser, S.S. Merchandiser, S.S. (For Medallion)
38	52943	Lens, Inner
39	53230	Drip Tray, Insulated, Black
	53229	Drip Tray, Insulated, Gray
40	53135	Lid, Upper Dispenser, Black
	53137	Lid, Upper Dispenser, Gray
22	53339	Hopper Cabinet Ass'y, Insulated (Cold Plate Models)
	53342	Hopper Cabinet Ass'y, Insulated (Ice Only, B Models)
42	71089	Shoulder Screw, No. 8-32
43	52967	Plug
44	52972	Clip, Flush, Nylon, White
45	53236	Cover, Insulated (Cold Plate Models Only)
46	70016	Hex Nut, No. 10-32, S.S.
47	70017	Hex Nut, No. 10-32, S.S.
48	**70018	Hex Nut, 1/4-20, Keps
49	**70048	Washer, .255 I.D.
50	70056	Washer, Flat, .219 I.D., No. 10, S.S.
51	70067	Washer, Flat, .218 I.D.
52	70076	Hex Nut, No. 8-32
53	70171	Machine Screw, Phil Truss Hd., No. 8-32 By 3/8-In. Long
54	70178	Machine Screw, Phil Truss Hd., No. 8-32 By 1/2-In. Long
55	70204	Sheet Metal Screw, Phil Truss Hd., No. 8 By 1/2-In. Long
56	41459	O-Ring
57	70250	Machine Bolt, Phil Truss Hd, 1/4-20 By 1/2-In. Long



58	**70260	Machine Bolt, Phil Rd Hd., 1/4-20 By1-In. Long
59	Contact Sales	Graphics
60	70341	Spring, (Agitator Motor Heater)
61	620701601	Sheet Metal Screw, No. 10 By 1/2-In. Long
62	70478R	Clip, Push-on
63	70555	Machine Screw, Phil Truss Hd., No. 8-32 by 2 5/8-In. Long
64	70750	Hose Clamp, Screw
65	70555	Machine Screw, Phil Truss Hd., No. 8-32 by 2 1/2-In. Long
66	70847	Spacer, Dispense Switch
67	70959	Nutsert, No. 8-32
68	70992	Receptacle, 1/4-Turn

69	**70993	Retainer, 1/4-Turn
70	**70994	Stud, Wing Hd, 1/4-Turn
71	70456	Pop Rivet
72	71038	Cup Rest
73	71010	Washer, No. 8, Captivating
*74	51288	Adapter, 1-In. Barb By 3/4-MPT (For Drip Tray Drain)
*75	50952	Adapter, 3/4-Soc By 3/4-FPT (For Drip Tray Drain)
*76	51774	Tube, Drip Tray Drain, 1-In. I.D.
*77	620702201	Brush, Cold Plate Cleaning
78	**620061994	Gasket
79	**620062925	Quad-ring

NOTE: * Not Shown

**** Parts Included in Agitator motor kit**

*****For 220-240V Models, 51908 Plug Replaced by 620303001 Push-Button Switch Actuator and 620303002 switch block**

KIT ICE CHUTE DOUBLE GASKET

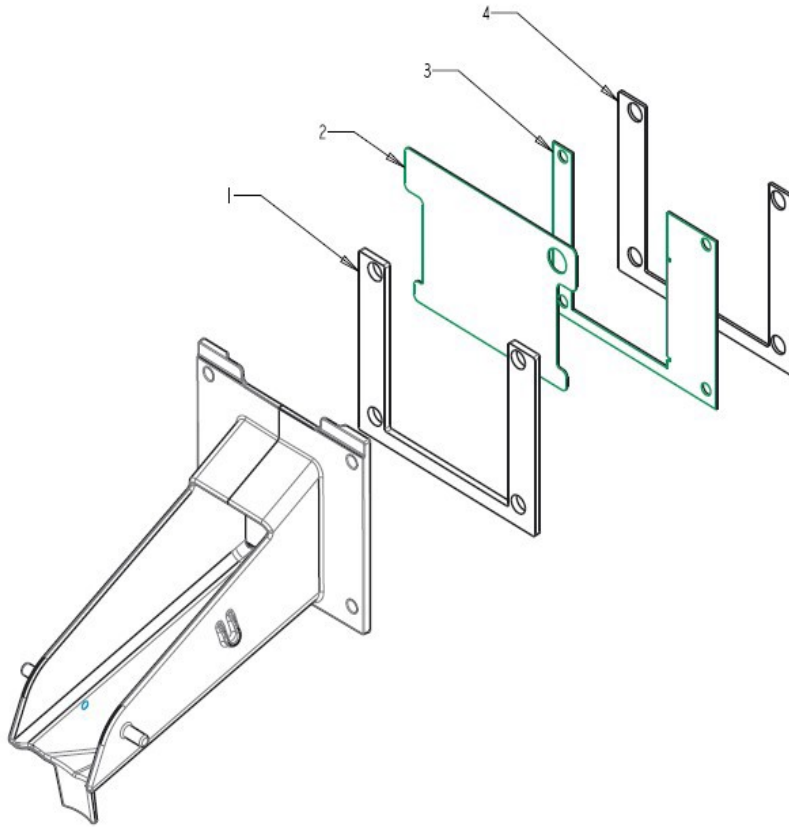


Figure 2.

Item No.	Part No.	Name
1	620059717	Gasket Out Gate Outer (Red)
2	620059707	Gate Restrictor
3	620059705	*Deflector Ice Gate
	620059706	*Deflector Ice Gate RH ED300
4	620059718	Gasket Ice Gate Inner (Black)

NOTE: * Used on soft Ice models only.



CAUTION:

Tighten #10-32 Nuts to 3.0 IN* LBS of Torque. Red gasket will deform slightly under load, but should not squeeze out of seal path.

GATE SOLENOID ASSEMBLY

Item No.	Part No.	Name
1	28173	Arm, Gate Lift
2	50754	Bearing, Gate Arm
3	32957	Solenoid, 120V
	33397	Solenoid, 220-240V
4	28172	Plate, Solenoid Mounting
5	50752	Isolator
6	70015	Hex Nut, No. 10-32
7	51689	Locktite
8	70162	Screw, No. 8-32 By 1/4-In. Long
9	50705	Tie Cable
10	70165	Screw, No. 8-32 By 5/8-In. Long
11	71007	Spring, Solenoid Arm
12	51348	Spacer
13	70067	Lockwasher, No. 10
14	70057	Lockwasher, No. 10
15	70052	Flatwasher, No. 8

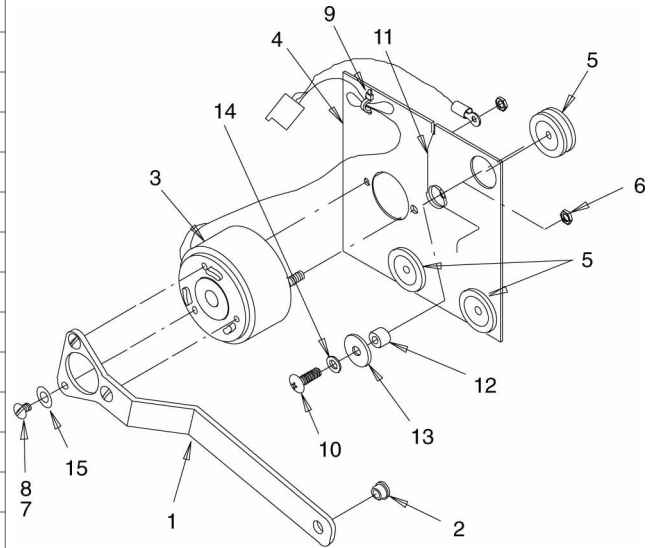


Figure 3.

Z-STYLE COLD PLATE DRAIN

Item No.	Part No.	Name
1	70750	Hose Clamp
2	53170	Drain Tube
3	51280	Elbow
4	53293	Coupler
5	50278	Drain Tube
6	51295	Tee

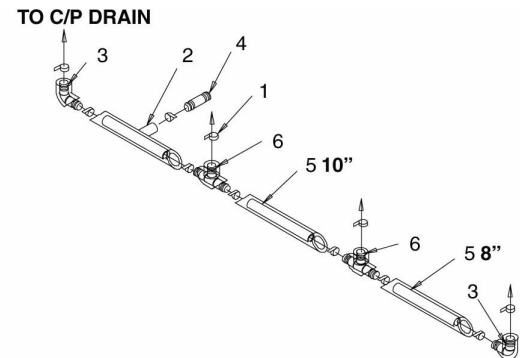


Figure 4.

ELECTRICAL BOX ASSEMBLY - LED LIGHTING

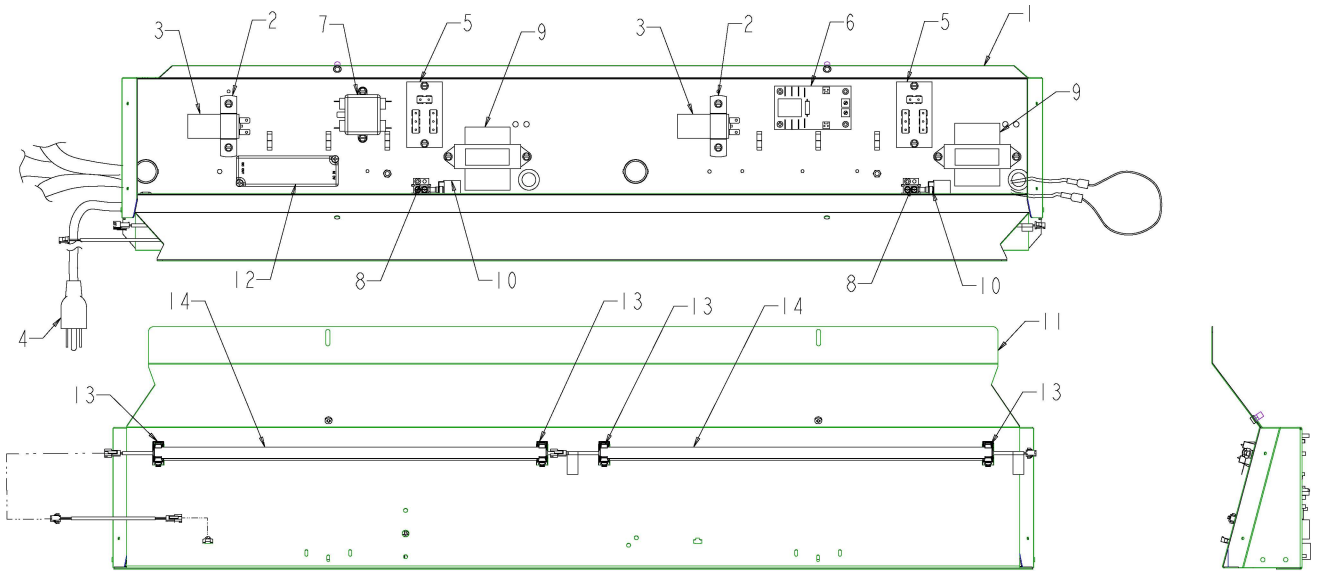


Figure 6.

Item No	Part No.	Name
1	620023001	BOX ELEC ED300
2	30514	CLAMP CAPACITOR 120 V
	620308102	CLAMP CAPACITOR 220-240 V
3	30774	CAPACITOR 120V (AGITATOR MOTOR)
	620308101	CAPACITOR 220-240 V (AGITATOR MOTOR)
4	30995	POWER CORD, 120V
	620302901	POWER CORD, 220-240 V
5	31107	TERMINAL BLOCK
6	620314803	TIMER, AGITATION, 120 V
	620314802	TIMER, AGITATION, 220 - 240 V

Item No	Part No.	Name
7	620307301	FILTER, POWER LINE, 220 - 240V
8	32244	TERMINAL STRIP, 220 - 240 V
9	32682	TRANSFORMER, 120 V
	32829R	TRANSFORMER, 220 - 240 V
10	620304601	VARISTOR, 220 - 240 V
11	620200104	PANEL REFLECTOR ED300
12	620057649-018	PWR-SUPPLY 24VDC 20W LED ASSY
13	620064161	CLIP RETAINING LED LIGHT BAR
14	620064030-002	LIGHT TUBE 18" 8W 24VDC

COMPONENTS FOR FLAVOR UNITS

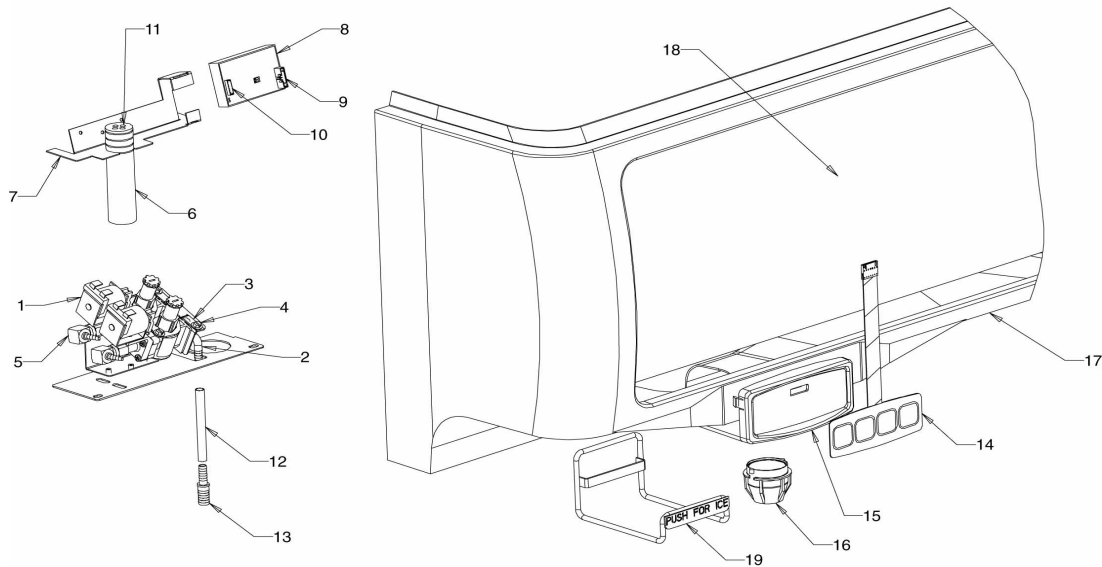


Figure 7.

Item No.	Part No.	Name
1	2487	Flow control assembly
2	620709068	Fitting elbow barb
3	620046335	Retainer valve
4	319941000	Screw tr 08-32 hxws
5	620718932	Fitting 90 swivel 1/8 barb
6	620715821	Inner nozzle
7	620052029	Nozzle bracket 1xx
8	620314823	PC Board
*9	620313657	Jumper PCB to keypad 4 fl
	620313658	Jumper PCB to keypad 2 fl
*10	620316443	Harness solenoid 4 fl
	620316442	Harness solenoid 2 fl
*11	770000119	Tubing syrup 1/8 id
12	50299	Tubing bev 265 id x 465 od
13	77040700	Fitg splicer 1/4 x 3/8
14	620313239	Membrane switch 4 button
15	620516527	Housing – keypad/nozzle
16	1945	Outer nozzle
17	620519215	Merch FlavorBlast, ED300 blk
	620519218	Merch FlavorBlast, ED300 gry
18	620920068	Graphic FlavorBlast, ED300
19	620709313	Ice lever FlavorBlast, push bar

NOTE: * NOT SHOWN

WATER MANIFOLD ASSEMBLY

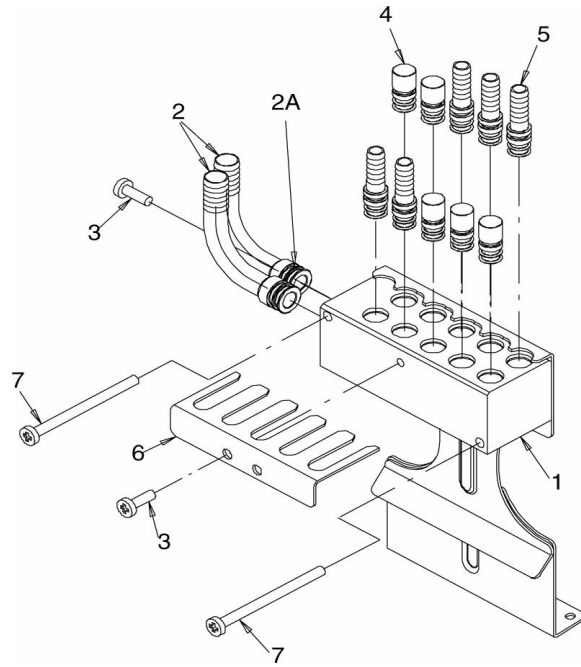


Figure 8.

Item No.	Part No.	Name
1	620407726	Manifold Flex
2	620709065	Fitg Elbow 1/2 X 3/8 Brb
2A	100057	O-ring
3	70204	Screw Sm #8 X 1/2
4	620519005	Plug 3/8 w/O-ring
5	620709066	Fitg Straight 3/8 X 1/4 Brb
6	620046316	Retainer Clip
7	620706632	Screw TRPH # 8-18 X 2 Waxed
*	620711913	Insulation Block, RH
*	620711914	Insulation Block, LH
*	620715408	Hook and Loop Fastener

NOTE: * NOT SHOWN



Marmon Foodservice Technologies, Inc
www.marmonfoodservice.com
www.cornelius.com