

INSTALLATION AND OPERATING INSTRUCTIONS

ROLL-O-MATIC FRAME AND ICE CART MODEL F-300-FS

WARNING:

Disconnect power to the unit before servicing. Follow all lock out/tag out procedures established by the user. Verify all power is off to the unit before performing any work.

Failure to comply could result in serious injury, death or damage to the equipment.

1. Assemble Ice Cart:

NOTE: Refer to diagrams for casters and drain assembly.

- A. Expose bottom of Cart by positioning on end opposite to handle.
- B. Attach casters, rigid casters on drain end of Cart.
- C. A slide on cover is furnished to close off Cart opening.

IMPORTANT: Use cover only when Cart is removed from Frame. This is an N.S.F. requirement.

2. Assemble Frame:

WARNING:

Underwriters Laboratories Inc., requires bonding for electrical grounding. Do not omit nor alter positions of star lock washers.

IMPORTANT: Follow all drawing instructions for compliance to N.S.F. requirements. R.T.V. sealant furnished.

- A. Pre-assemble pipe support assemblies, guide rails, brace straps, and conduit clamp. Do not tighten screws. Set upright on floor.
- B. Attach the following parts: ice maker mounting panel, switch box assembly support, switch box, conduit and wire, and rubber bumpers. Do not tighten screws.
- C. Seal and bolt Frame to level floor area, being sure to provide a clearance distance of 25 15/16 inches between guide rails. Level and square Frame to floor. Tighten all Frame screws and floor mounting bolts. Bolts not furnished.
- D. Fill recess of rubber bumpers with R.T.V. sealant.
- E. Cement gasket to ice maker. Cement not furnished.
- F. Refer to wiring instructions and diagram when mounting ice maker onto Frame and making electrical connections.
- G. Reference installation and operating instructions of ice maker to insure proper operation of machine.
- H. Install ice chute adapter assembly.
- I. Attach drain hose to drain pan on Frame. Hose not furnished.
- J. Use diagram to position, seal, and bolt wheel chock to floor. Bolts not furnished.
- K. Test for proper operation of frame switch and Cart drain valve. Switch must interrupt electrical power to ice maker and drain valve must close, when cart is being removed from Frame.
- L. A snap in cover is furnished to close off the ice chute adapter opening.

IMPORTANT: Use cover only when Cart is removed from Frame. This is an N.S.F. requirement.

ROLL-O-MATIC WIRING INSTRUCTIONS

FOR 115 VOLT 60HZ AND 230 VOLT 60HZ UNITS ONLY

⚠ WARNING:

Disconnect power to the unit before servicing. Follow all lock out/tag out procedures established by the user. Verify all power is off to the unit before performing any work.

Failure to comply could result in serious injury, death or damage to the equipment.

⚠ WARNING:

Only trained and certified electrical, plumbing and refrigeration technicians should service this unit.

All wiring and plumbing must conform to national and local codes. Failure to comply could result in serious injury, death or equipment damage.

1. Install unit on top of Roll-O-Matic frame assembly (See Figure 1).
2. Mount handy box (included) to back of unit, screws are not included.
3. Install conduit assembly on Roll-O-Matic frame assembly to ice machine handy box.
4. To remove existing wire cable (Figure 1, Diagram 1).
 - A. Loosen black nut on top of Auger ASY.
 - B. Unplug wire cable from water float wire ASY and electrical box.
5. To install new wire cable (Figure 1, Diagram 2).
 - A. Put sensor in hole on top of Auger ASY and tighten black nut.
 - B. Plug wire cable into electrical box and water float ASY. (Plugs in like the existing wire cable.)
 - C. Route the 36" lead from new wire cable to rear of unit.
6. Connect one of the black wires to the blue wire in handy box per wire diagram enclosed. Connect the other black wire to the yellow wire together in handy box per wire diagram enclosed.
7. Connect ice machine to source of electrical supply per instruction in "Installation and Operating Instructions" manual supplied with the ice machine.

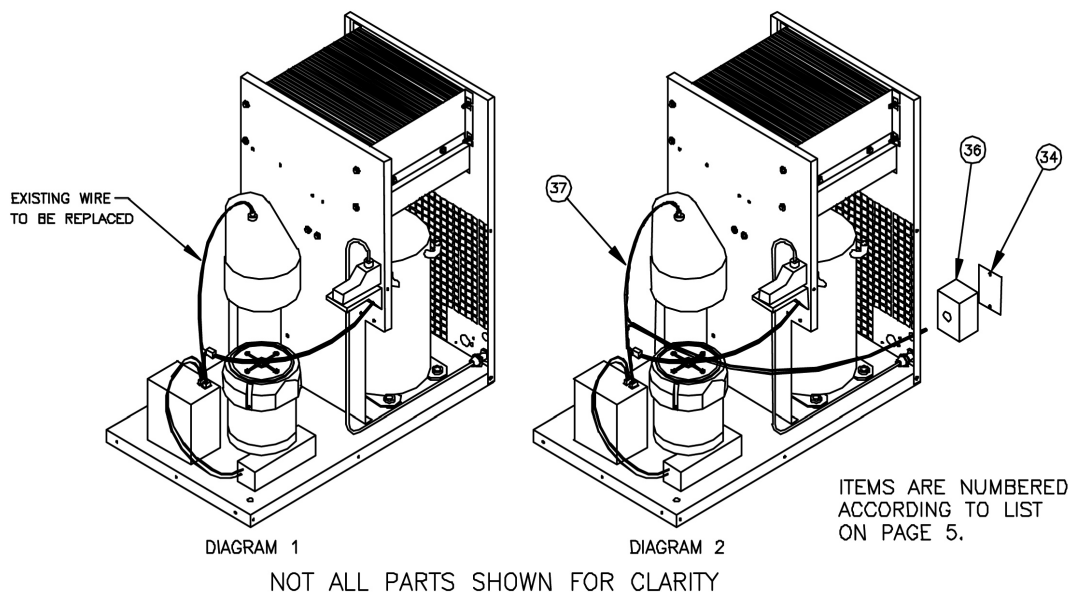


Figure 1.

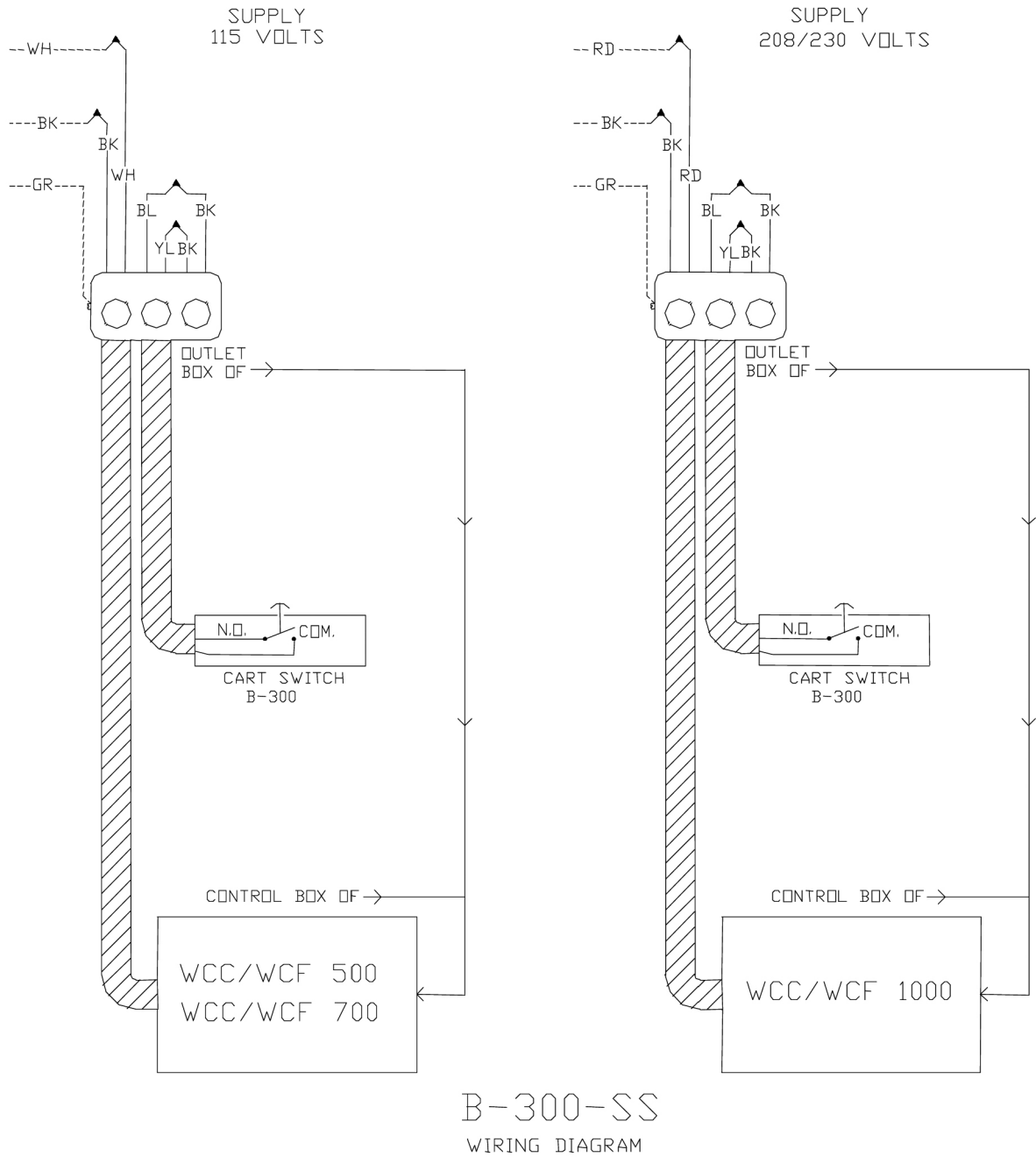


Figure 2.



PARTS LIST

Item No.	Part No.	Description	Qty.
1	630000416	PANEL MNT F300-P-FS	1
2	163298068	PIPE SPT W/A F300P-FS	2
3	22042	PAN DRN & SWITCH F300FS	1
4	24965	CONDUIT & WR ASY F300-FS	1
5	26520	SPACER FLR PMR F300-FS	4
6	163299068	GUIDE RAIL PAINTED F300FS	2
7	163297068	BRACE STR F300P-FS	2
8	163296068	SUPPORT SWC BOX F300P-FS	1
9	163295068	CHOCK WHL F300P-FS	1
10	24945	BUMPER RUBR W/WSR B300-SS	2
11	24974	GASKET RBR .25X.62X112.00	1
12	07457	"CLAMP JIFFY 3/4"	1
13	630400123	LABEL FRAME ASY F-300-FS	1
14	630900373	BOLT MA 1/2-13 HX 64 SS	2
15	165073002	WASHER FT 560 1.0 048 SS	4
16	168745000	BOLT MA 1/4-20 HX 16 STZI	24
17	164153000	NUT HEX 1/4-20 STZI	4
18	70048	WASHER SR 256 470 025 STZI INT	28
19	07667	SCREW MA 08-32 TRPH 16 SS	2
20	70085	NUT ACRN 08-32 BRNI	2
21	164083005	NUT HEX 5/16-18 STZI	3
22	35140	ADHES RTV CLR SILICONE 2.8OZ	1
23	163502000	CONN ELEC WR 18-12 AWG	2
24	21033	"BAG CLOTH 5.5" X 10"	2
25	630460045	SHT INSTR F300/WIL ASY	1
26	08411	BOLT MA 5/16-18 HX 32 STZI	3
27	70294	NUT HEX 1/2-13 SS FULL	2
28	02928	WASHER SR 31 STZI EXT	6
29	630900399	WASHER LK 50 STZI	2
30	638008838	PLATE BIN COVER	1
31	630900218	SCREW MA 10-32 PAPH 16 SS	4
32	638007229-01	NUT-ACORN CENTERLOCK STN STL	4
33	01470	WASHER LK #10 SPLIT	4
34	27602	COVER HDY 1.5 X4.00 X2.12	1
35	70564	BOLT MA 1/2-13 HX 32 SS	2
36	25872	BOX HANDY 1.50 X4.00 X2.12	1
37	630300219	WIRE HARNESS F300	1
38	630460045INS	Installation Instructions	1

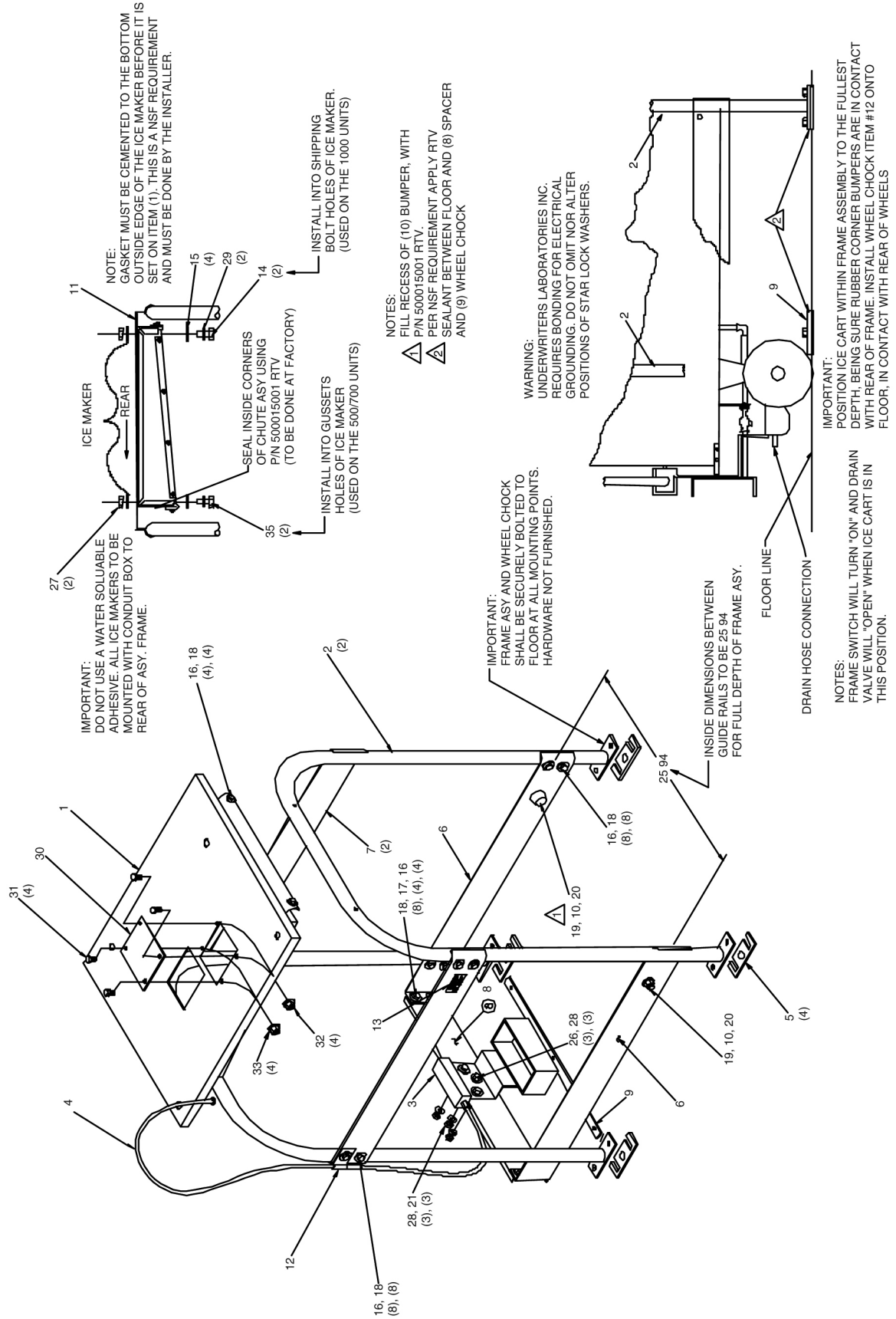


Figure 3.