



ILLUSTRATED PARTS LIST 2 AND 4 FLAVOR FCB PINNACLE

UNIT PART NO.

561490XXX 2 FL Integral

561491XXX 2 FL Remote

561492XXX 4 FL Integral

561493XXX 4 FL Remote

561494XXX 2 FL Integral Export

561480XXX 2 FL Integral, Tall

561481XXX 2 FL Remote, Tall

561482XXX 4 FL Integral, Tall

561483XXX 4 FL Remote, Tall

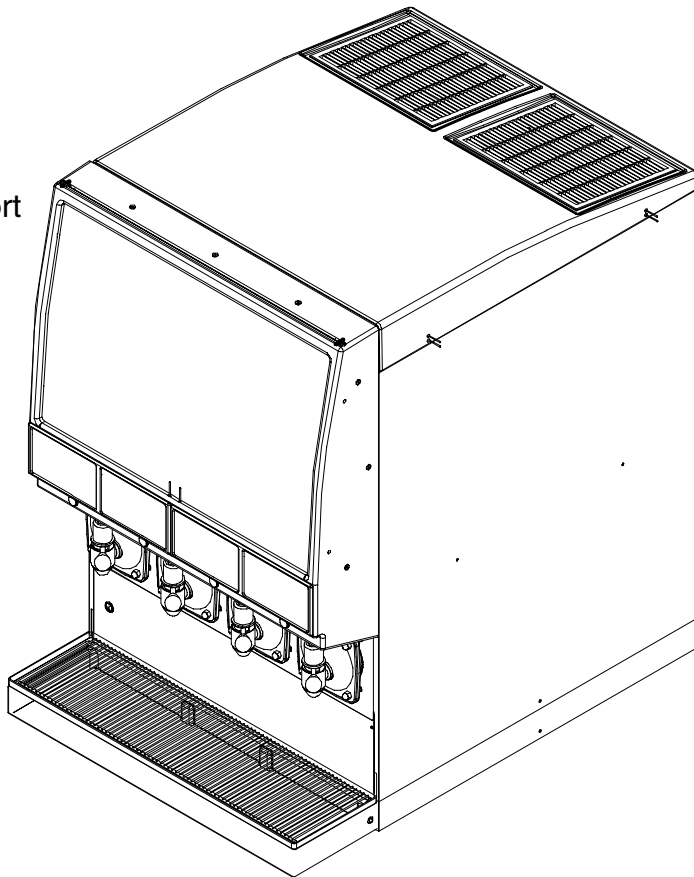




Table of Figures

FIGURE 1. Ice Bank Components	2
FIGURE 2. Blendonator Assembly	3
FIGURE 3. Integral Unit Refrigeration System	4
FIGURE 4. Remote Unit Refrigeration System	5
FIGURE 5. Cladding	6
FIGURE 6. Drip Tray Components	7
FIGURE 7. Emerson Freeze Cylinder Components	8
FIGURE 8. Baldor Freeze Cylinder Components	9
FIGURE 9. Freeze Door Assembly	10
FIGURE 10. Motorman Valve Assembly	10
FIGURE 11. Product Tray Components	11
FIGURE 12. CO2 Line and Regulator Components	12
FIGURE 13. Secondary CO2 Regulator Components	12
FIGURE 14. CO2 Regulator Components	13
FIGURE 15. Water Line Components 2 Flavor	13
FIGURE 16. Water Line Components 4 Flavor	14
FIGURE 17. Water Inlet Components	14
FIGURE 18. Syrup Inlet Components	15
FIGURE 19. Product Line 1 Components	15
FIGURE 20. Product Line 2 Components	15
FIGURE 21. Product Line 3 Components	16
FIGURE 22. Product Line 4 Components	16
FIGURE 23. Brix Line 1 Components	17
FIGURE 24. Brix Line 2 Components	17
FIGURE 25. Brix Line 3 Components	17
FIGURE 26. Brix Line 4 Components	17
FIGURE 27. Brix Assembly	18
FIGURE 28. Brix Valve Assembly	19
FIGURE 29. Contact Box Assembly	20
FIGURE 30. 4FL Control Box Assembly	21
FIGURE 31. 2FL Control Box Assembly	21
FIGURE 32. Top Cover Assembly	22
FIGURE 33. Merchandiser Assembly	23

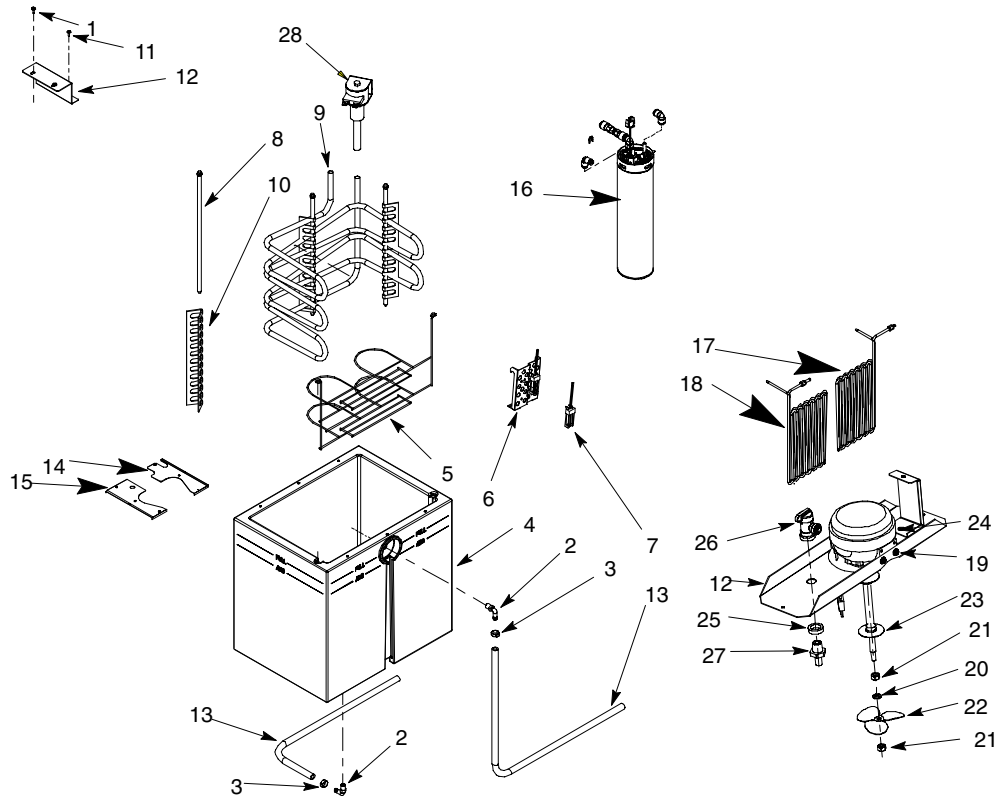


FIGURE 1. ICE BANK COMPONENTS

Item No.	Part No.	Name
1	325282000	Screw SD 8-18 HXWS 16
2	317691000	Fitg L-Barb 3/8-Barb x 1/4-MPT
3	309852000	Clamp
4	560006093	Tank Water Bath
5	560006094	Brkt Wire Blendonator
6	560002205	Brkt Sensor Ice Bath
7	2598	Probe Assy Ice Bank
8	560006216	Rod Supp Coil Retr
9	560004527	Coil Refrig Water Bath
10	309510000	Spacer Evap
11	331309000	Screw SM 8 TRPH 16
12	620049162	Brkt Agitator Motor
13	113375000	Tube Vinyl .375 I.D. (Sold by Foot)
14	560002226	Cover Water Bath RH

Item No.	Part No.	Name
15	560002227	Cover Water Bath LH
16	560002325	Tank Blendonator Assy (Fig 2)
17	560004525	Coil Prod Assy RH
18	560004526	Coil Prod Assy LH
19	186154000	Screw SE 08-36 PAPH 12
20	186294000	Washer Lk .262 I.D.
21	186116000	Nut Hex 1/4-20
22	186216000	Blade Agit 3-Bl'd
23	186599000	Slinger Water
24	560002354	Motor Agit 15W 230/5/6 1500RPM
25	560003342	Spacer Valve Wtr Bath
26	560003274	Valve Level Cntl
27	560002311	Fitg Push 3/8 Stem x 1/4NPT
28	560004283	Valve Solnd Rfg Cyl

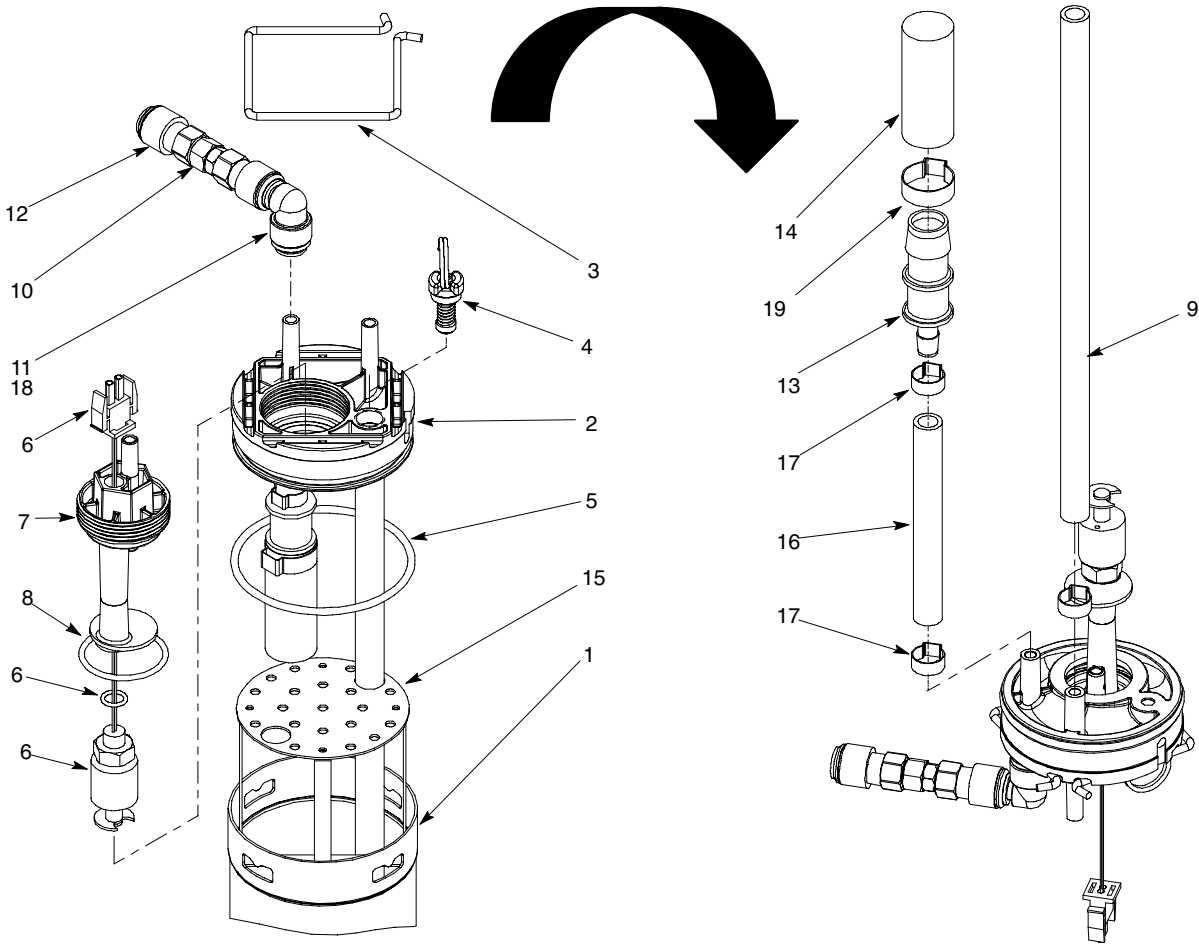


FIGURE 2. BLENDONATOR ASSEMBLY

Item No.	Part No.	Name
	560002325	Tank Blendonator Assy
1	4589	Tank Carb Assy
2	560002369	Cover Blendonator
3	4597	Retainer Cover Carb
4	180353888	Valve Relief Assy
5	4591	O-Ring
6	629087547	Kit, Float Switch
7	560002370	Blendonator Float Stem
8	560002286	O-Ring 1.41 I.D.
9	174029000	Tube Poly .375 I.D. (Sold by Foot)

Item No.	Part No.	Name
10	4911	Valve Chk
11	560004293	Fitg Push L 3/8 x 5/16 Stem
12	560002318	Fitg Push 3/8 x 1/4 Flare
13	560004528	Fitg Reducer 3/4-Barb x 3/8-Barb
14	560004864	Diffuser
15	560004858	Baffle
16	174029000	Tube Poly .375 I.D. (Sold by Foot)
17	309853000	Clamp
18	750700502	Clip Locking
19	48114011	Clamp

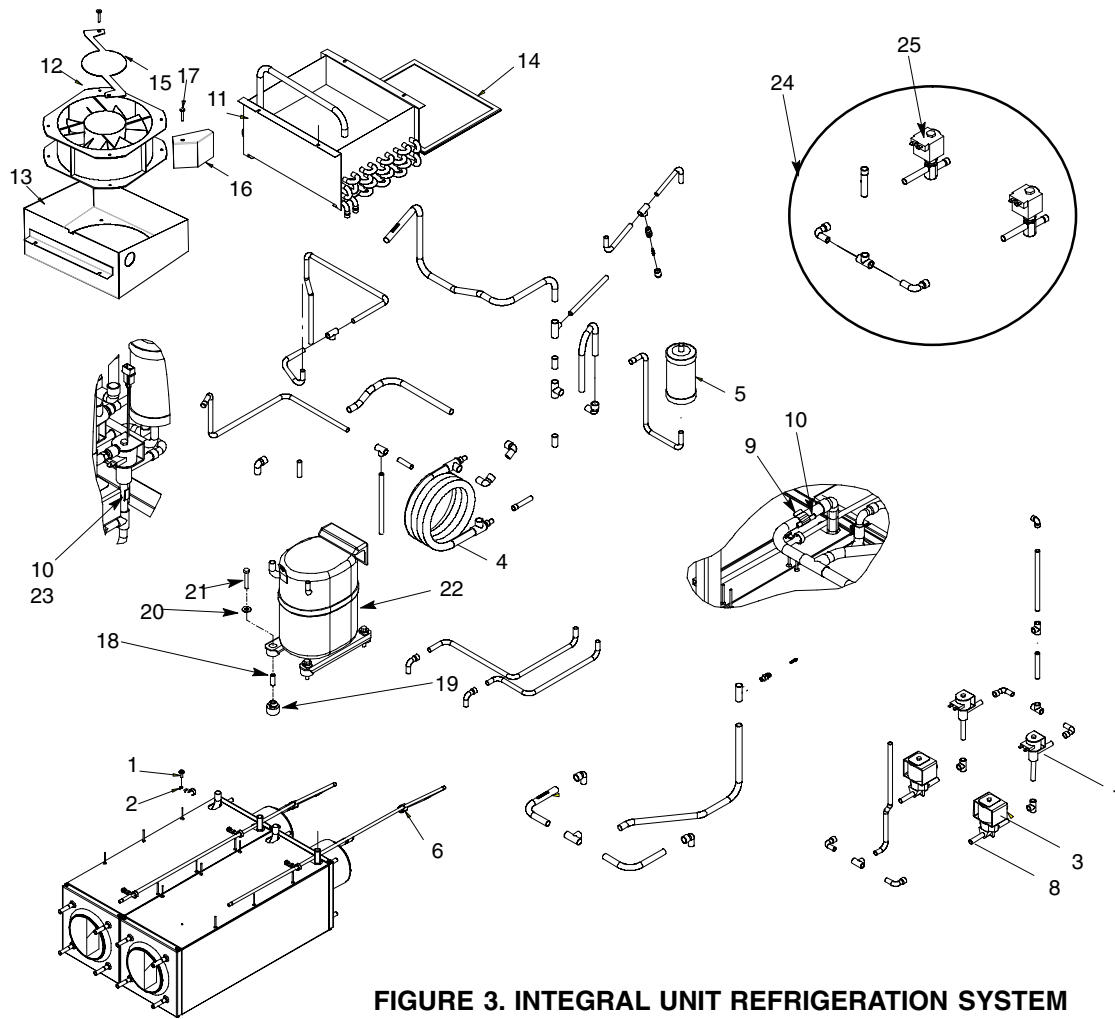


FIGURE 3. INTEGRAL UNIT REFRIGERATION SYSTEM

Item No.	Part No.	Name
1	325282000	Screw SD 8-18 HXWS 16
2	360174000	Tie Cable
3	325993000	Parker Solenoid Pull 24V
4	560006450	Heat Exchg Assy
5	620608601	Filter Dryer
6	560002216	Tube Inlet
7	560003423	Valve Expan Solnd
8	325574000	Parker Valve Hot Gas Solnd Refg
9	560003970	Clip Spring 1/2 Temp Sensor
10	560005495	Kit Thermistor
11	560006505	Cond Coil
12	560006072	Fan
13	560007212	Shroud Cond

Item No.	Part No.	Name
14	560006919 620608608 620608612	Air Filter Extended Length Air Filter Filter Assy w/ Tab
15	620052528	Brkt Corner Fan Shroud
16	620052529	Brkt Fan Shroud
17	343417000	Screw TC 10-32 PAPH 12 STZI 23
18	3609	Spacer
19	3608	Grommet
20	20223008	Washer Ft .375 I.D.
21	70752	Bolt MA 5/16-18 HX 64
22	560006054 560006053	Kit Comp 1-1/4HP 240V 60HZ Kit Comp 1-1/4HP 230V 50HZ
23	560003971	Clip Spring 3/8 Temp Sensor
24	629091023	Kit Sporlan Hot Gas Valve Assembly
25	620313723	Sporlan Solenoid Coil

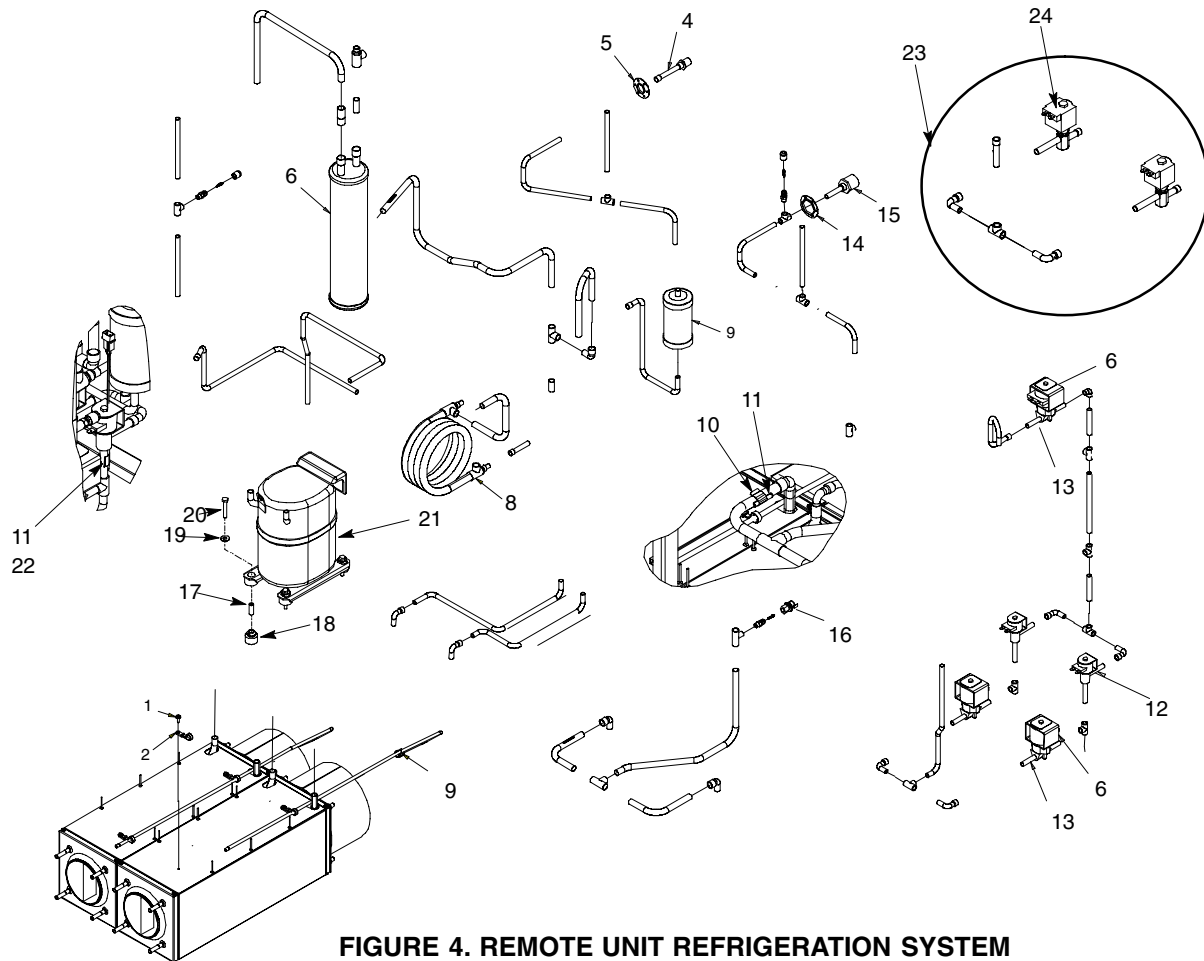


FIGURE 4. REMOTE UNIT REFRIGERATION SYSTEM

Item No.	Part No.	Name
1	325282000	Screw SD 8-18 HXWS 16
2	360174000	Tie Cable
3	309913011	Coupling Rfg 3/8 x 1-1/16
4	309919000	Flange Mtg 3/8
5	325577010	Accumulator
6	325993000	Parker Solenoid Pull 24V
7	560006450	Heat Exchg Assy
8	620608601	Filter Dryer
9	560002216	Tube Inlet
10	560003970	Clip Spring 1/2 Temp Sensor
11	560005495	Kit Thermistor
12	560003423	Valve Expan Solnd

Item No.	Part No.	Name
13	325574000	Parker Valve Hot Gas Solnd Refg
14	560005496	Flange Rfg
15	560006051	Coupling Rfg
16	629088362	Kit Ref Pressure Switch
17	3609	Spacer
18	3608	Grommet
19	20223008	Washer Ft .375 I.D.
20	70752	Bolt MA 5/16-18 HX 64
21	560006054	Kit Comp 1-1/4HP 240V 60HZ
	560006053	Kit Comp 1-1/4HP 230V 50HZ
22	560003971	Clip Spring 3/8 Temp Sensor
23	629091023	Kit Sporlan Hot Gas Valve Assembly
24	620313723	Sporlan Solenoid Coil

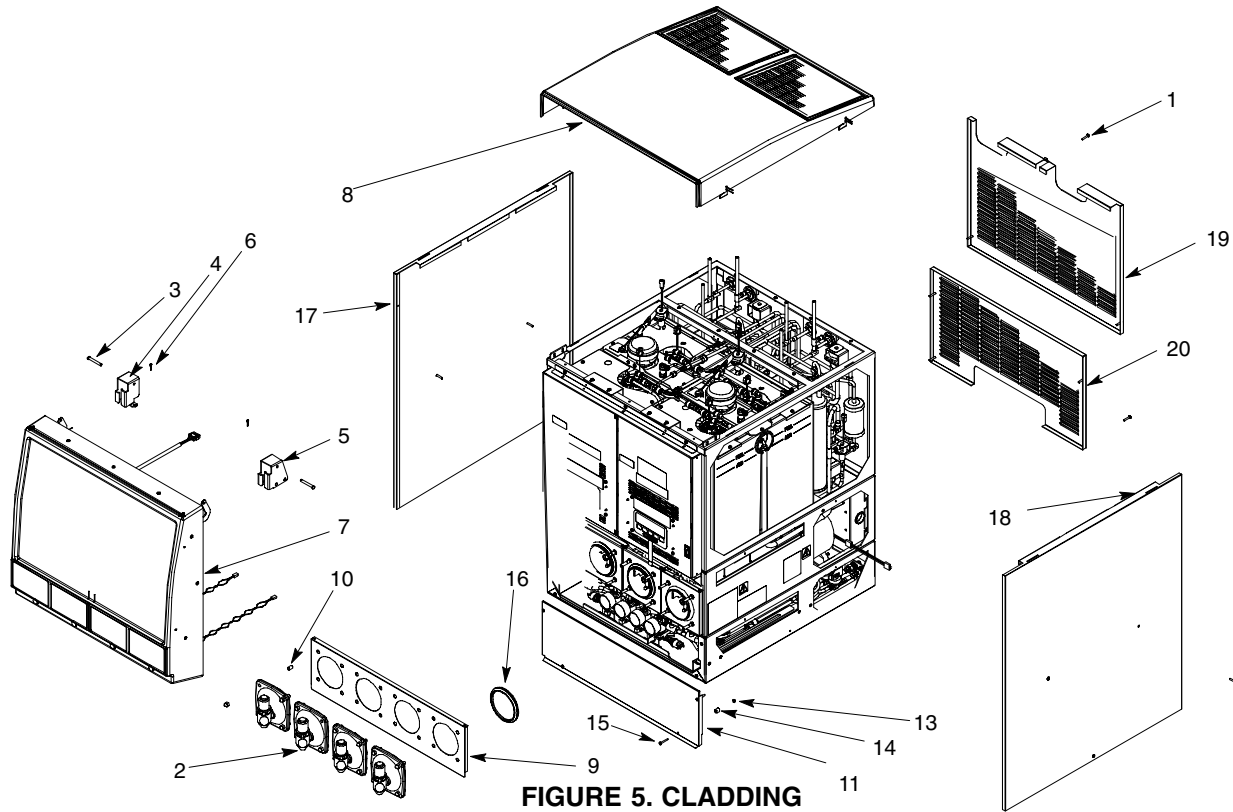


FIGURE 5. CLADDING

Item No.	Part No.	Name
1	3108	Screw TC 10-32 PAPH 32
2	560003823	Door Frz Cyl Assy Motorman (Fig 10)
	560003824	Door Frz Cyl Assy Delta
	560003825	Door Frz Cyl Assy Lancer
3	620709413	Pin Hinge
4	620052077	Brkt Support LH Hinge
5	620052078	Brkt Support RH Hinge
6	398034400	Pin Hitch
7	560006577	Merchandiser Door Assy (2FL) Fig 33
	560006576	Merchandiser Door Assy (4FL) Fig 33
8	560006579	Cover Assy Top (2FL) Fig 32
	560006578	Cover Assy Top (4FL) Fig 32
9	560006427	Panel Splash Valve Fnt (2FL)
	560006537	Panel Splash Valve Fnt (4FL)
10	560006607	Spacer
11	560007210	Panel Splash Front (2FL)
	560007211	Panel Splash Front (4FL)
	560006471	Panel Splash Front, Tall (2FL)
	560006571	Panel Splash Front, Tall (4FL)
12	316753000	Nut Push
13	71010	Washer Retaining
14	3247	Spacer
15	71085	Screw MA 8-32 TRPH 40
16	560003670	Gasket 4" Dia
17	620050716	Panel, Side, Left, SST
	620050752	Panel, Side, Left, Black
	620050753	Panel, Side, Left, White
	620050754	Panel, Side, Left, Beige

Item No.	Part No.	Name
18	620050715	Panel, Side, Right SST
	620050757	Panel, Side, Right Black
	620050756	Panel, Side, Right White
	620050755	Panel, Side, Right Beige
19	620052326	Panel Back Upper SST (2FL) Int
	620052328	Panel Back Upper Black (2FL) Int
	620052327	Panel Back Upper White (2FL) Int
	620052329	Panel Back Upper Beige (2FL) Int
	620052340	Panel Back Upper SST (4FL) Int
	620052339	Panel Back Upper Black (4FL) Int
	620052337	Panel Back Upper White (4FL) Int
	620052338	Panel Back Upper Beige (4FL) Int
	560006477S	Panel Back Upper SST (2FL) Rmt
	560006677	Panel Back Upper Black (2FL) Rmt
	560006678	Panel Back Upper White (2FL) Rmt
	560006665	Panel Back Upper Beige (2FL) Rmt
	560006501S	Panel Back Upper SST (4FL) Rmt
	560006679	Panel Back Upper Black (4FL) Rmt
	560006680	Panel Back Upper White (4FL) Rmt
	560006662	Panel Back Upper Beige (4FL) Rmt
20	560006478S	Panel Back Lower SST (2FL)
	560006681	Panel Back Lower Black (2FL)
	560006682	Panel Back Lower White (2FL)
	560006666	Panel Back Lower Beige (2FL)
	620052365	Panel Back Lower SST (4FL)
	620052364	Panel Back Lower Black (4FL)
	620052366	Panel Back Lower White (4FL)
	620052363	Panel Back Lower Beige (4FL)
	620717703	Tube Drain Line (not shown)
	620407913	Tube Drain Line, Tall (not shown)

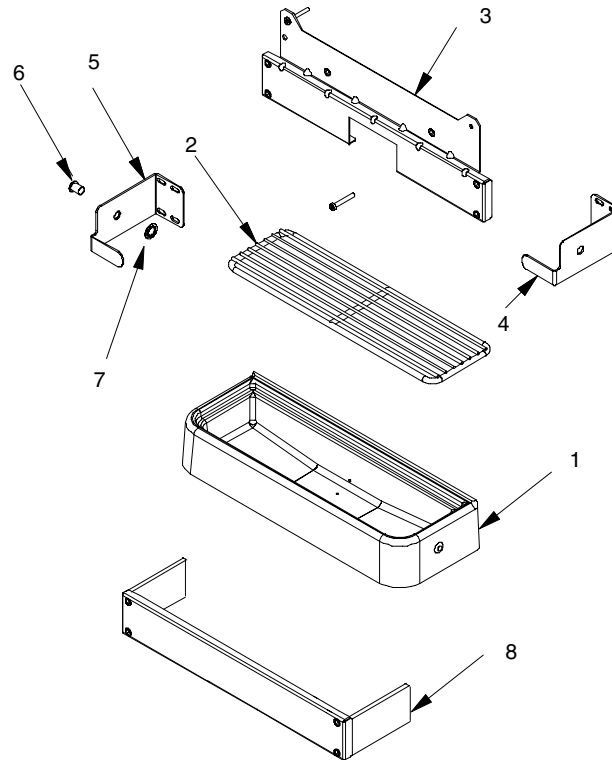


FIGURE 6. DRIP TRAY COMPONENTS

Five Inch Deep Drip Tray			
	2 Flavor	4 Flavor	
Item No.	Part No.	Part No.	Name
1	620517148	620517149	Drip Tray
2	620708531	620708529	Cup Rest
3	620052082	620052083	Drip Tray Support Bracket Assy
4	620051266	620051266	Drip Tray Bracket Lt
5	620051297	620051297	Drip Tray Bracket Rt
6	321503000		Bullet Latch
7	316753000		Push Nut

Eight Inch Deep Drip Tray			
	2 Flavor	4 Flavor	
Item No.	Part No.	Part No.	Name
1	325983039	325990039	Drip Tray
2	325982000	325992000	Cup Rest
3	620052082	620052083	Drip Tray Support Bracket Assy
8	325984000	325991000	Drip Tray Frame
	325985000		Drip Tray Bracket (not shown)

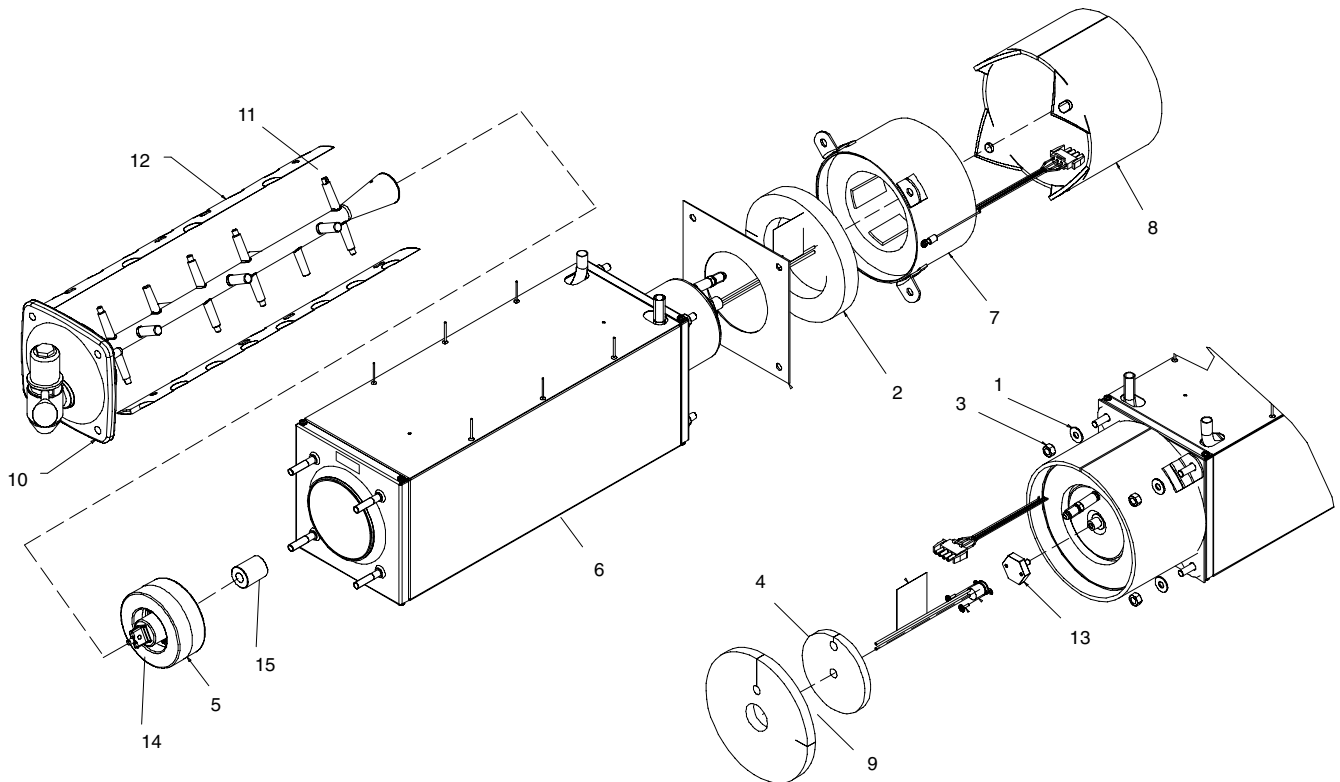


FIGURE 7. EMERSON FREEZE CYLINDER COMPONENTS

Item No.	Part No.	Name
1	318418000	Washer Ft .312 I.D.
2	560007018	Gasket Back
3	560003275	Nut Hex 5/16-18
4	560007015	Gasket Back Cyl
5	629087564	Magnet Drive Kit Emerson
6	560007145	Foam Pack Kit
7	629087566	Stator Motor DC Drive Kit Emerson

Item No.	Part No.	Name
8	560004533	Gasket Stator
9	560007016	Gasket Back Motor
10	560003823	Door Frz Cyl Assy Motorman (Fig 10)
11	560002222	Body Beater Freeze Cyl
12	560002223	Blade Scraper Freeze Cy
13	629088368	Kit Thermostat Repl
14	620046135	Drive Key
15	560004289	Bushing for Magnet Drive Assy

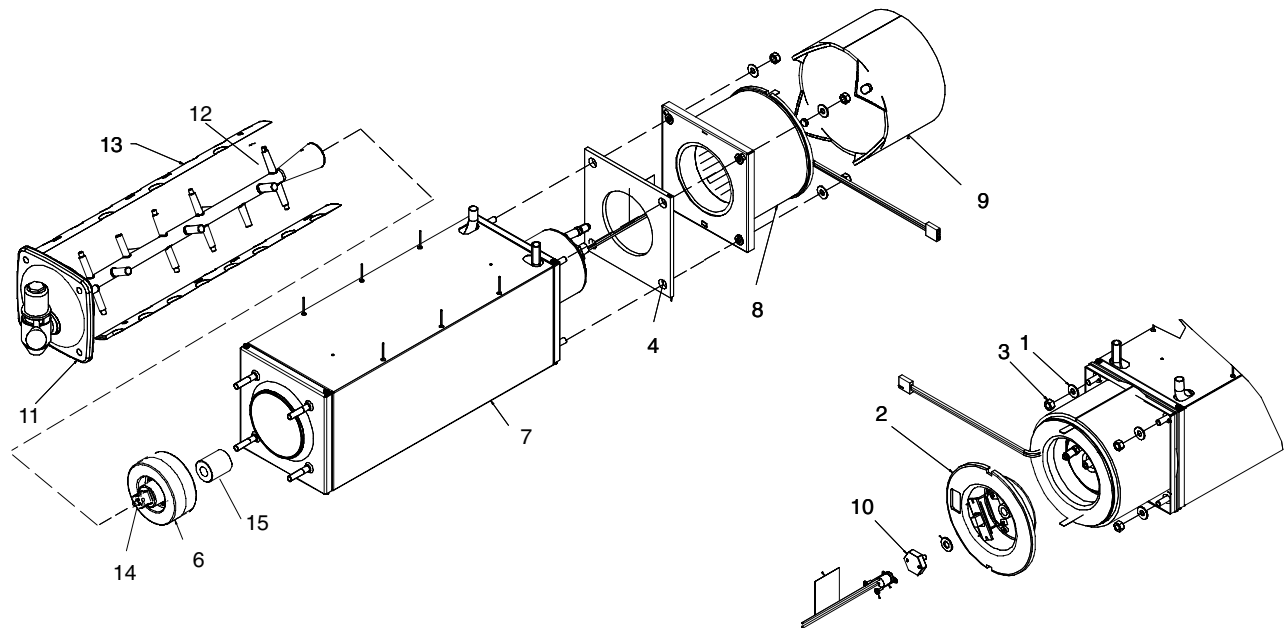


FIGURE 8. BALDOR FREEZE CYLINDER COMPONENTS

Item No.	Part No.	Name
1	318418000	Washer Ft .312 I.D.
2	569030115	Cap End Assy w/ Hall Board Kit Baldor
3	560003275	Nut Hex 5/16-18
4	560003421	Gasket Panel Accs Bck
5	560003694	Gasket Back Cyl
6	561600112	Magnet Drive Kit Baldor
7	560007145	Foam Pack Freeze Cyl

Item No.	Part No.	Name
8	629087565	Stator Motor DC Drive Kit Baldor
9	560004533	Gasket Stator
10	629088368	Kit Thermostat Repl
11	560003823	Door Frz Cyl Assy Motorman (Fig 10)
12	560002222	Body Beater Freeze Cyl
13	560002223	Blade Scraper Freeze Cyl
14	620046135	Drive Key
15	560004289	Bushing for Magnet Drive Assy

Item No.	Part No.	Name
1	1557	Dispense Valve Assy, Motorman (Fig 10)
2	560002224	Door Frz Cyl
3	560002422	Nut Acrn 5/16-18
4	560002367	O-Ring 3.44 I.D.
5	560002272	Shaft Pivot Faceplate
6	325954000	Stem Assy
7	325936000	Spacer Val
8	321652000	Nut Shank (Not Shown)
9	2392	Bushing Split
10	560003272	Washer Ft .344 I.D.

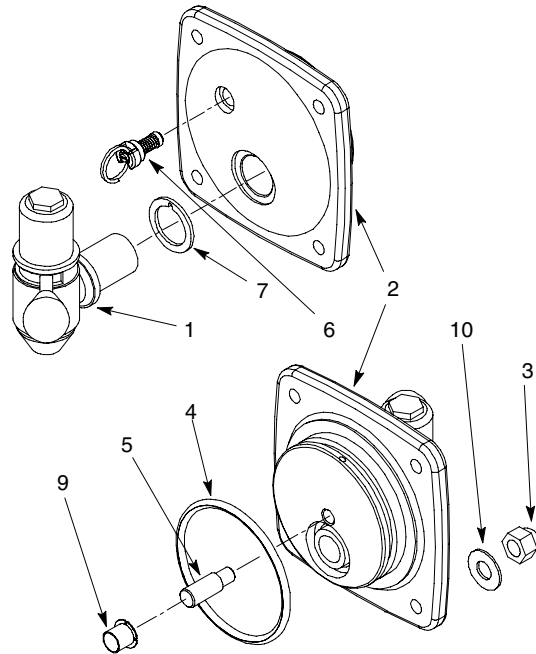


FIGURE 9. FREEZE DOOR ASSEMBLY

Item No.	Part No.	Name
1	1556	Body Valve w/Stop
2	1554	Body Valve
3	1576	Housing Spring
4	1575	Retainer Spring Valve
5	325305000	Spring Torsion
6	321651000	Lever Valve
7	1555	Knob White
8	325647000	Spring Housing Retainer
9	317784000	Screw TC 08-18 TRPH 16
10	2818	O-Ring Caged
11	321653000	O-Ring .862 I.D.
12	1544	Spring Compression
13	1543	Tube Release

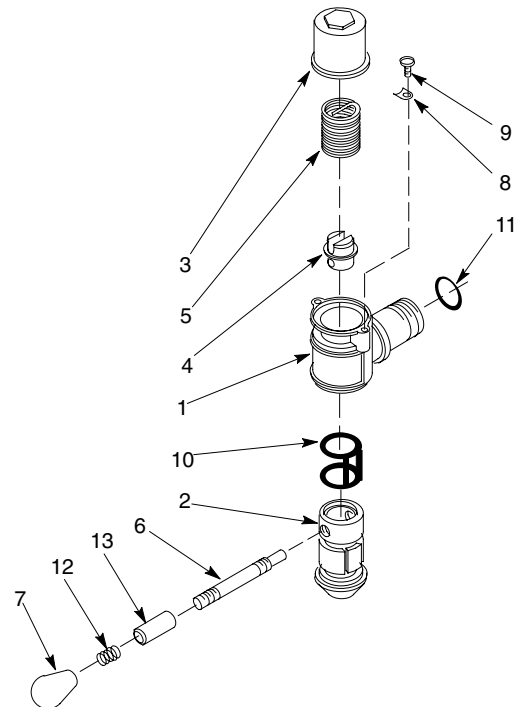


FIGURE 10. MOTORMAN VALVE ASSEMBLY

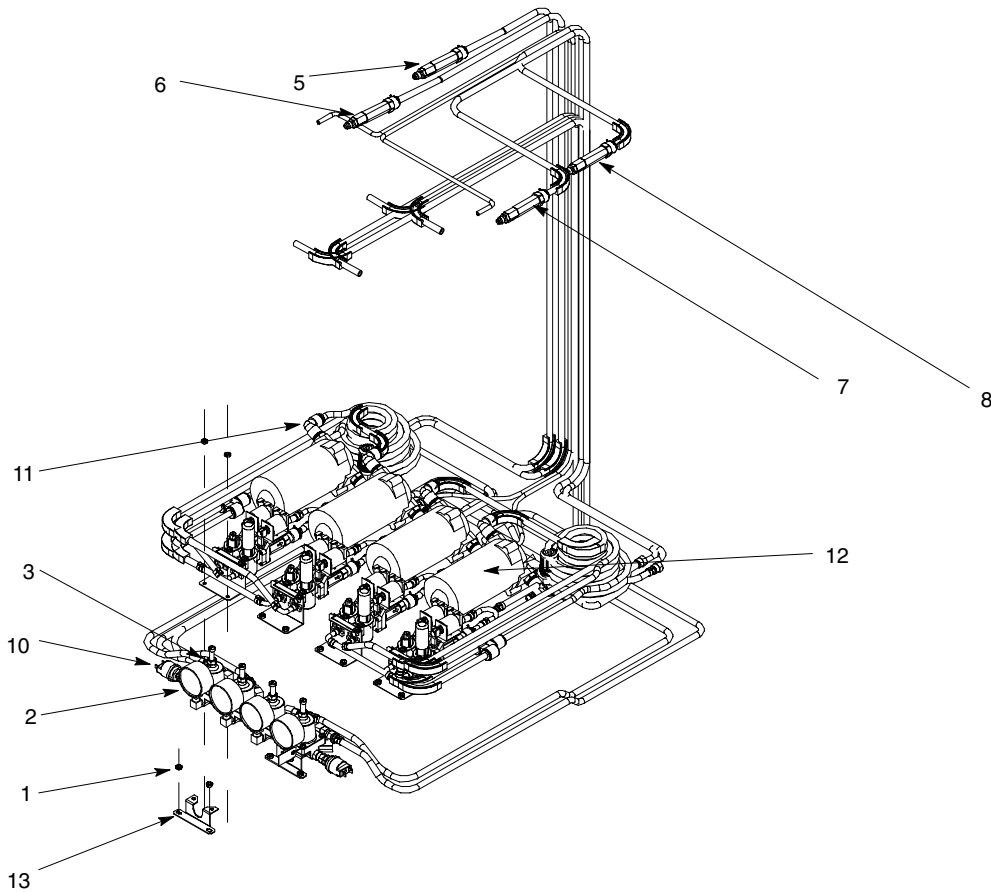


FIGURE 11. PRODUCT TRAY COMPONENTS

Item No.	Part No.	Name
1	200498003	Nut Hex 8-32
2		Assy CO ₂ Line (Fig 12)
3	178025100	Gasket 1/4 Male Flare
4		Tube Assy Syr Inlet (Fig 18)
5		Assy Prod Line No. 1 (Fig 19)
6		Assy Prod Line No. 2 (Fig 20)
7		Assy Prod Line No. 3 (Fig 21)

Item No.	Part No.	Name
8		Assy Prod Line No. 4 (Fig 22)
9	186768000	Nut Hex 7/16-20
10	560003493	Switch Press CO ₂ 30-50PSI
11	4416	Fitg Elbow
12	560002164	Pump and Mot 230V 50/60HZ
13	560006462	Brkt CO ₂

Item No.	Part No.	Name
1	178025100	Gasket 1/4 Male Flare
2	560002339	Clip Flow Bend
3	560006491 560006483	Tube Prod .250 I.D. (4FL) Tube Prod .250 I.D. (2FL)
4	560006492 560006507	Tube Prod .250 I.D. (4FL) Tube Prod .250 I.D. (2FL)
5	560006522 560006422	Reg CO ₂ Assy (4FL) (Fig 13) Reg CO ₂ Assy (2FL) (Fig 13)
6	560006490 560006458	Tube Prod .250 I.D. (4FL) Tube Prod .250 I.D. (2FL)

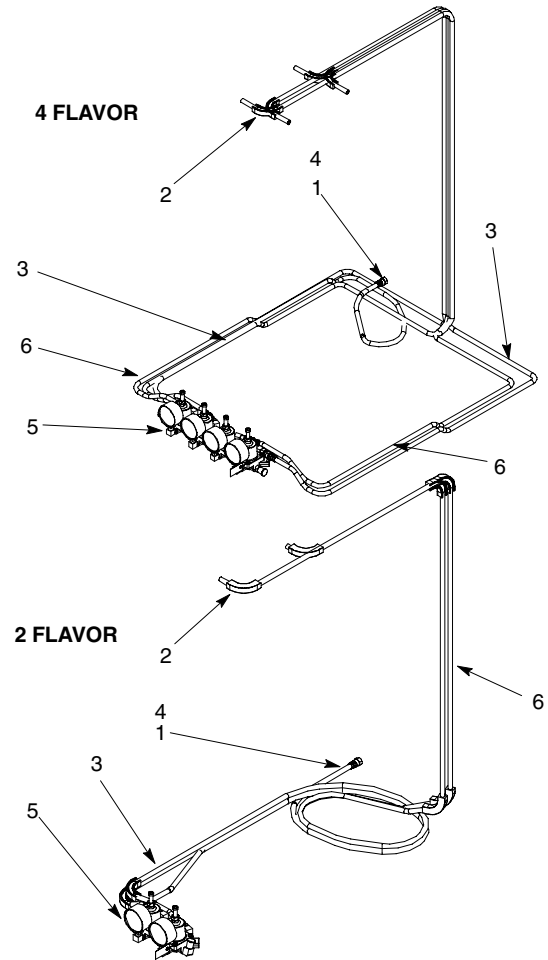


FIGURE 12. CO₂ LINE AND REGULATOR COMPONENTS

Item No.	Part No.	Name
	560006522 560006422	Reg CO ₂ Assy (4FL) Reg CO ₂ Assy (2FL)
1	183047000	Fitg Stght 1/4-MPT Gage 60-PSI
2	183061000	Fitg Stght 1/4-MPT x 7/16-20
3	183068000	Fitg L 1/4-NPT
4	183287000	Gage 60-PSI
5	183301100	Valve Chk Assy
6	183446016	Reg S Sq 30-PSI (Fig 14)
7	314700000 187485000	Fitg T 1/4-MPT x 1/4 Male Flare (4FL) Fitg L 1/4-MPT x 1/4-MF

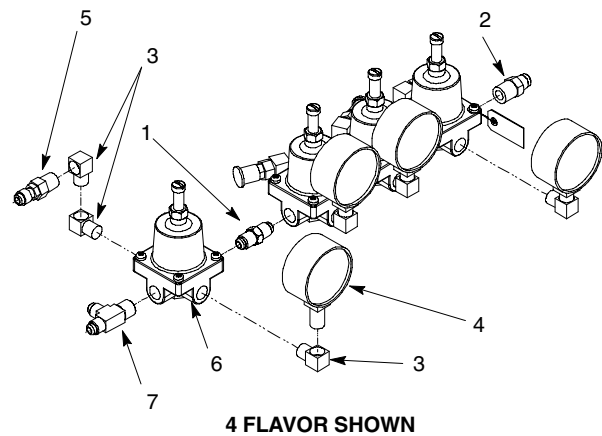


FIGURE 13. SECONDARY CO₂ REGULATOR COMPONENTS

Item No.	Part No.	Name
	183446016	Reg S Sq 30-PSI
1	183099000	Kit Repair Reg Secondary
2	183560016	Reg S Sq

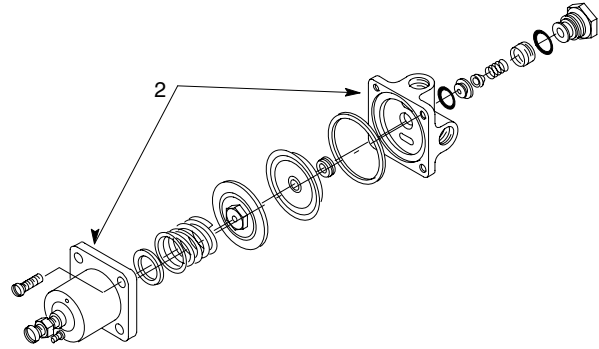


FIGURE 14. CO₂ REGULATOR COMPONENTS

Item No.	Part No.	Name
1	620708970	Tube Poly .250 I.D. (Sold by Foot)
2	750300160	Fitg Push Tee 3/8 x 1/4
3	620708970	Tube Poly .250 I.D. (Sold by Foot)
4	560003966	Tube Poly .170 I.D. (Sold by Foot)

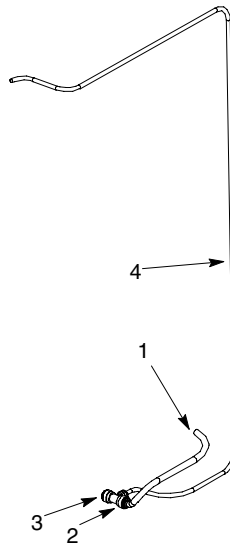


FIGURE 15. WATER LINE COMPONENTS 2 FLAVOR

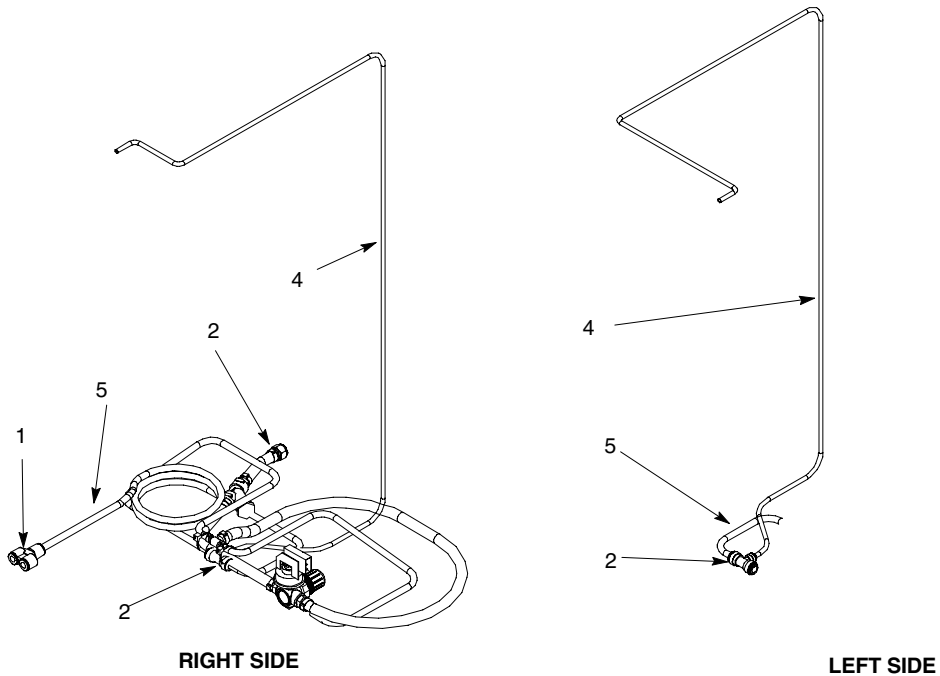


FIGURE 16. WATER LINE COMPONENTS 4 FLAVOR

Item No.	Part No.	Name
1	750300157	Fitg Push Y 3/8
2	750300160	Fitg Push Tee 3/8 x 1/4

Item No.	Part No.	Name
4	560003966	Tube Poly .170 I.D. (Sold by Foot)
5	620708970	Tube Poly .250 I.D. (Sold by Foot)

Item No.	Part No.	Name
1	77083101	Fitg 3/8-Barb x 1/4-Nut
2	77062100	Fitg T 1/4-Barb x 3/8
3	311035000	Strainer Wtr
4	560003391	Reg Press Wtr 1.65-GPM
5	560002411	Switch Press Wtr
6	174292000	Tube Flexcor .375 I.D. (Sold by Foot)
7	620708970	Tube Poly .250 I.D. (Sold by Foot)

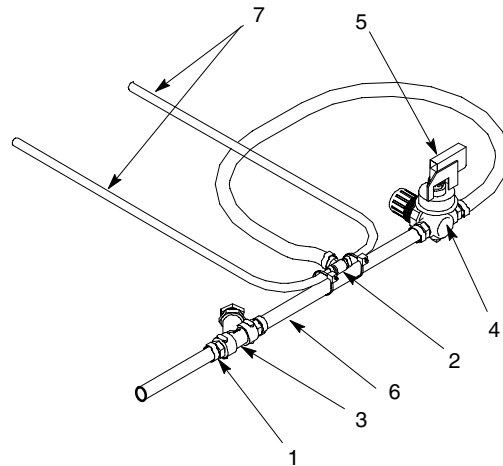


FIGURE 17. WATER INLET COMPONENTS

Item No.	Part No.	Name
1	178025100	Gasket 1/4 Male Flare
2	77010400	Fitg Nipl .265 I.D. x 1/4 Flare Nut
3	620708970	Tube Poly .250 I.D. (Sold by Foot)
4	560005312	Fitg T7/16-20 x 1/8-FPT
5	77010100	Nut Swiv 7/16-20
6	312926000	Clamp
7	560006424	Switch Press Syr

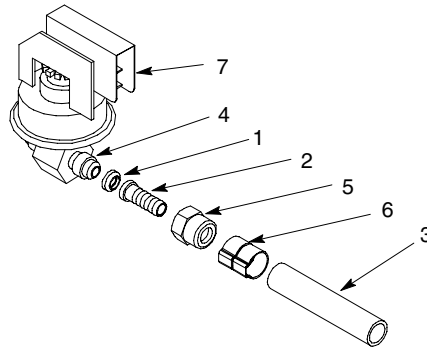
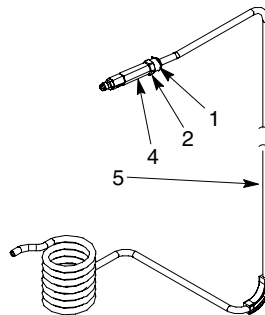
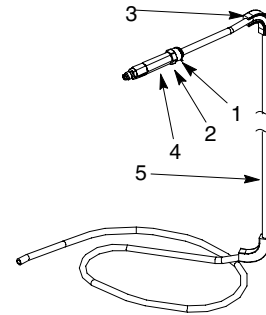


FIGURE 18. SYRUP INLET COMPONENTS

Item No.	Part No.	Name
1	750700502	Clip Locking 3/8
2	560002317	Fitg Push 3/8 x 1/4
3	560002339	Clip Flow Bend
4	560001826	Valve Chk Dual Chud
5	620708970	Tube Poly .250 I.D. (Sold by Foot)



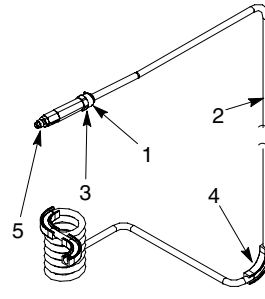
4 FLAVOR



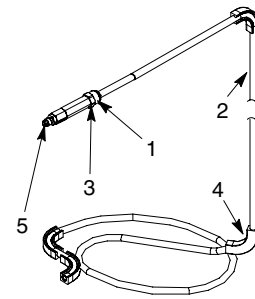
2 FLAVOR

FIGURE 19. PRODUCT LINE 1 COMPONENTS

Item No.	Part No.	Name
1	750700502	Clip Locking 3/8
2	620708970	Tube Poly .250 I.D. (Sold by Foot)
3	560002317	Fitg Push 3/8 x 1/4
4	560002339	Clip Flow Bend
5	560001826	Valve Chk Dual Chud



4 FLAVOR



2 FLAVOR

FIGURE 20. PRODUCT LINE 2 COMPONENTS

Item No.	Part No.	Name
1	750700502	Clip Locking 3/8
2	620708970	Tube Poly .250 I.D. (Sold by Foot)
3	560002317	Fitg Push 3/8 x 1/4
4	560002339	Clip Flow Bend
5	560001826	Valve Chk Dual Chud

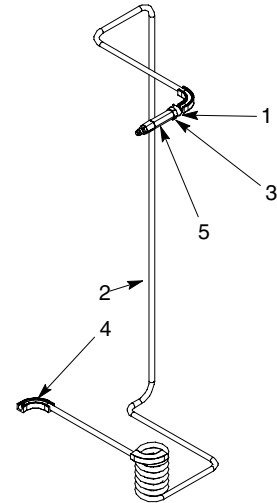


FIGURE 21. PRODUCT LINE 3 COMPONENTS

Item No.	Part No.	Name
1	750700502	Clip Locking 3/8
2	620778970	Tube Poly .250 I.D. (Sold by Foot)
3	560002317	Fitg Push 3/8 x 1/4
4	560002339	Clip Flow Bend
5	560001826	Valve Chk Dual Chud

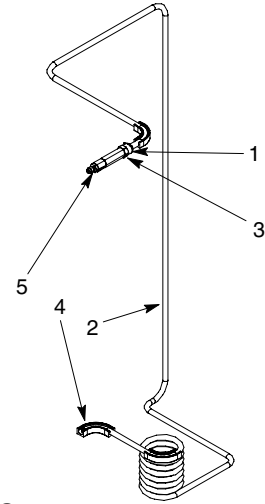


FIGURE 22. PRODUCT LINE 4 COMPONENTS

Item No.	Part No.	Name
1		Brix Assy (Fig 27)
2	560002339	Clip Flow Bend
3	560006494	Tube Conn .250 I.D. x 72" (4FL)
	560006861	Tube Conn .250 I.D. x 55" (2FL)
4	560006495	Tube Conn .250 I.D. x 9" (4FL)
	560006860	Tube Conn .250 I.D. x 8" (2FL)

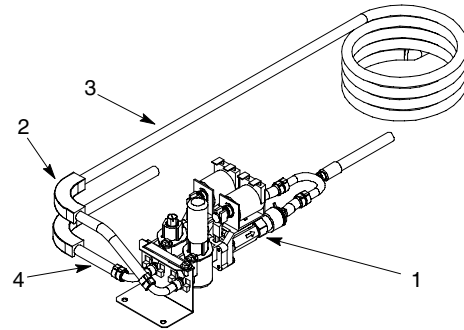


FIGURE 23. BRIX LINE 1 COMPONENTS

Item No.	Part No.	Name
1		Brix Assy (Fig 27)
2	560002339	Clip Flow Bend
3	560006494	Tube Conn .250 I.D. x 72" (4FL)
	560006866	Tube Conn .250 I.D. x 58" (2FL)
4	560006496	Tube Conn .250 I.D. x 14" (4FL)
	560006865	Tube Conn .250 I.D. x 12" (2FL)

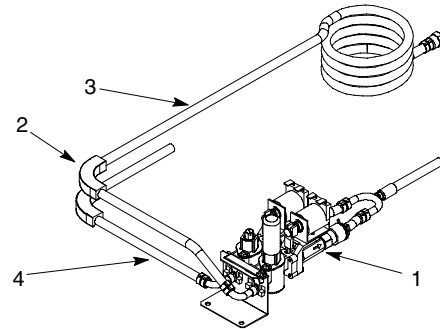


FIGURE 24. BRIX LINE 2 COMPONENTS

Item No.	Part No.	Name
1		Brix Assy (Fig 27)
2	560002339	Clip Flow Bend
3	560006494	Tube Conn .250 I.D. x 72"
4	560006496	Tube Conn .250 I.D. x 14"

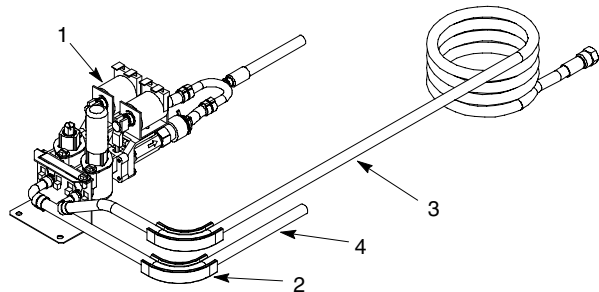


FIGURE 25. BRIX LINE 3 COMPONENTS

Item No.	Part No.	Name
1		Brix Assy (Fig 27)
2	560002339	Clip Flow Bend
3	560006494	Tube Conn .250 I.D. x 72"
4	560006495	Tube Conn .250 I.D. x 9"

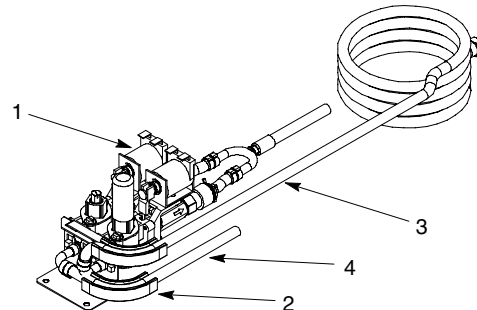


FIGURE 26. BRIX LINE 4 COMPONENTS

Item No.	Part No.	Name
1	560002991	Valve Chk7/16-20
2	319941000	Screw TR 8-32 HXWS 12
3	750700502	Clip Locking 3/8
4	560002318	Fitg Push 3/8 x 1/4
5	560003876 620608746	Valve Solnd Assy Syr (Fig 28) Valve Solnd Assy Syr, Cont Duty (Fig 28)
6	2469 620046352	Retainer Module Brix Retainer Module Brix, Cont Duty
7	560006482	Tube Prod Assy (Includes #11-13)
8	560003875 620608747	Valve Solnd Assy Wtr (Fig 28) Valve Solnd Assy Wtr, Cont Duty (Fig 28)
9	560006423 620052826	Brkt Mtg Val Brix Bracket Mtg Valve Brix, Cont Duty
10	620313706 620516667	Solenoid Cover Solenoid Cover, Cont Duty
11	620708970	Tube Poly .250 I.D. (Sold by Foot)
12	77900500	Manif U 1/4-Barb
13	309854000	Clamp
	629088599	Kit, Cont Duty Solenoid, 1 FL (Not Shown)

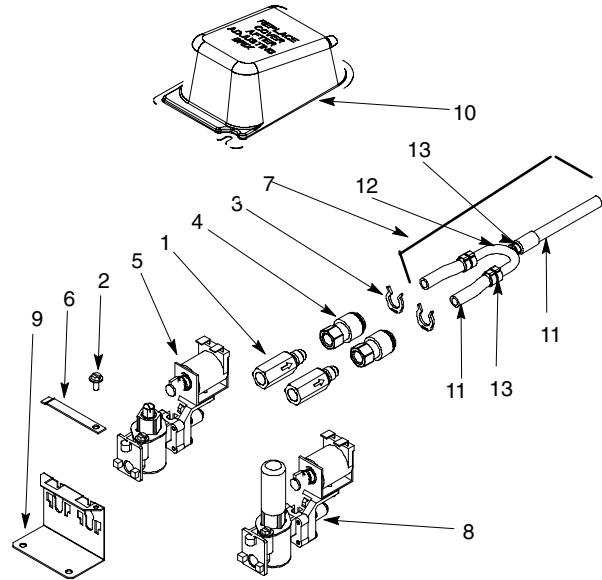


FIGURE 27. BRIX ASSEMBLY

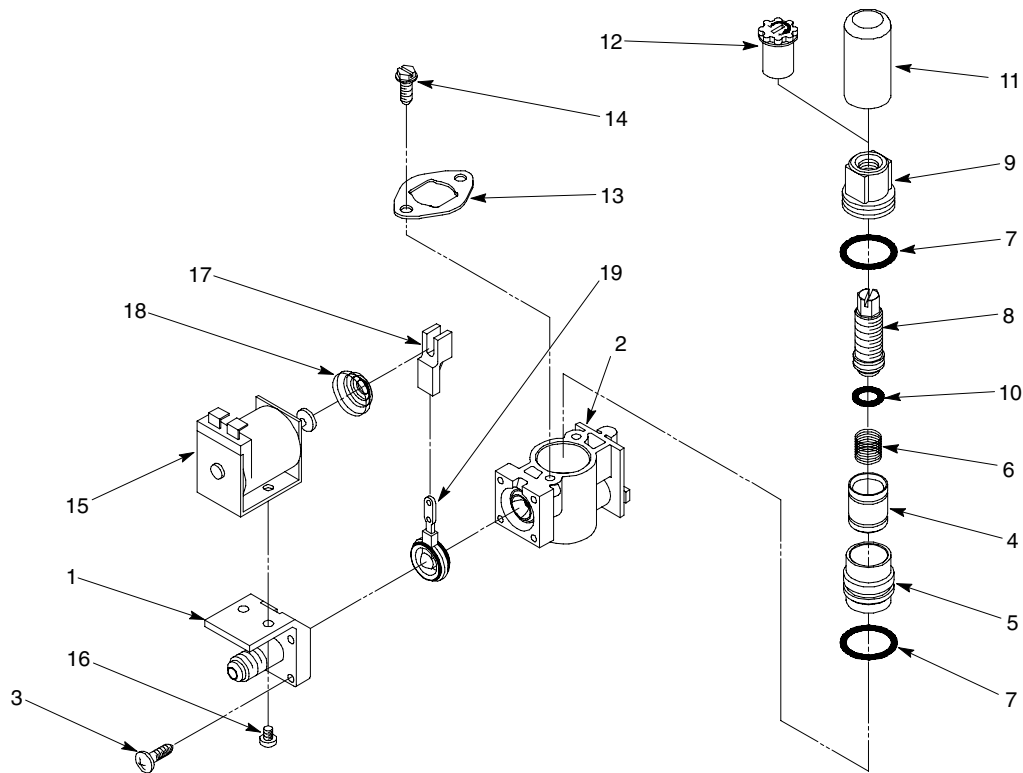


FIGURE 28. BRIX VALVE ASSEMBLY

Item No.	Part No.	Name
	560003875 560003876 620608746 620608747	Valve Solnd Assy Wtr Valve Solnd Assy Syr Valve Solnd Assy Wtr, Cont Duty Valve Solnd Assy Syr, Cont Duty
1	2356	Block Valve
2	1319	Body Valve
3	0837	Screw SM 06 TB PAPH 20
4	310754011 310480011	Piston Wtr Reg Piston Syr Reg
5	317431011	Cylinder Flo Cntl
6	310482000	Spring Reg Syrup
7	317816000	O-Ring .676 I.D.
8	310632051	Screw Adj Syr and Wtr Reg

Item No.	Part No.	Name
9	1318	Housing Flo Cntl
10	180025000	O-Ring .364 I.D.
11	309992000	Cap Slv
12	309991000	Knob Adjusting Flow
13	1545	Retainer Housing Flo Cntl Val
14	1081	Screw TT 08-16 16
15	0024 620313722	Solenoid Pull 24V. Solenoid Pull 24V, Cont Duty
16	187188000	Screw SE 08-32 PAPH 08
17	317579000	Arm Solenoid
18	620715925	Spring Compsn Conical Solenoid
19	311355000	Valve Inlet

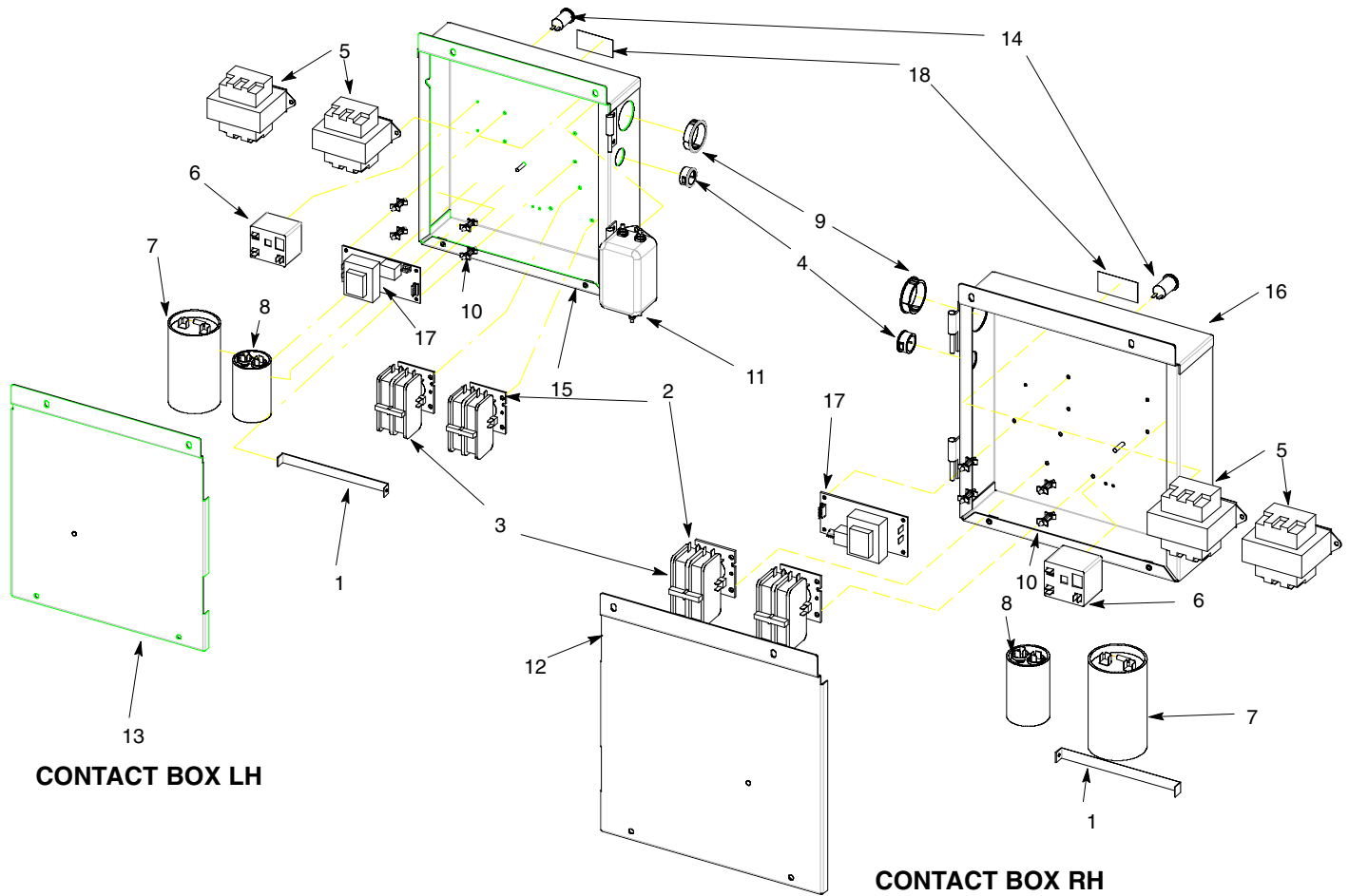


FIGURE 29. CONTACT BOX ASSEMBLY

Item No.	Part No.	Name
1	3595	Strap, Capacitor
2	70055	Clip, Tinnerman
3	309473000	Relay, 24V DPDT
4	320389000	Bushing, Snap, 687 I.D.
5	620710726 620710725	Transformer 208/240V 60HZ – 24V Transformer 230V 50HZ – 24V
6	560002376 560002375	Relay, Start Comp 60HZ Relay, Start Comp 50HZ
7	560002378 560002377	Capacitor Start, 60HZ Capacitor Start, 50HZ
8	560002380 560002379	Capacitor, Run, 60HZ Capacitor, Run, 50HZ

Item No.	Part No.	Name
9	560002627	Bushing, Snap, 1.3 I.D.
10	560003950	Support, PC Board
11	560003953	Filter, Single Phase RFI (50HZ only)
12	620050551	Cover, Electric Box, RH Rear (4FL)
13	620050552	Cover, Electric Box, LH Rear
14	620313255	Switch, Safety Circuit
15	620314142	Box, Electrical Box, LH
16	620314143	Box, Electrical Box, RH (4FL)
17	620314834	Board, Control Thermostat
18	620920905	Label, T–stat Reset Switch



Item No.	Part No.	Name
1	313736000	Clip Guide
2	312251000	Screw TR 10-24 PAPH 12
3	560003948	Bushing Snap
4	560003949	Wrap Shielding Ctrl Box
5	560003950	Support PC Board
6	560004742 0150	Fan Muffin 4-1/2" 230V 15W (4FL) Fan Cage 230V 9W (2FL)
7	560006516 560006065 620043272 620043247	Box Elec Control (4FL Baldor) Box Elec Control (4FL Emerson) Box Elec Control (2FL Baldor) Box Elec Control (2FL Emerson)
8	620314831	Board Circ Main
9	560007539	Board Circ Oper Interface
10	560007541	Board Circ Prod Delivery

Item No.	Part No.	Name
11	560002362 560006084	Board Circ DC Inverter (Baldor) Board Circ DC Inverter (Emerson)
12	560002364	Switch Touch Membrane
13	560006517 560006417	Cover Box Cntl RH (4FL) Cover Box Cntl (2FL Baldor, old style)
14	560006518	Cover Box Cntl LH (4FL)
15	316963000	Bushing Snap
16	325925000	Support PC Board
17	560005108	Gasket Operator Interface
18	560001282	Holder Fuse Panel Mount
19	620313517	Fuse 1.6A Slo Blow
20	620314612	Indicator LED
21	560001783	Door Latch
22	319941000	Screw TR 8-32 HXWS 12 STZI

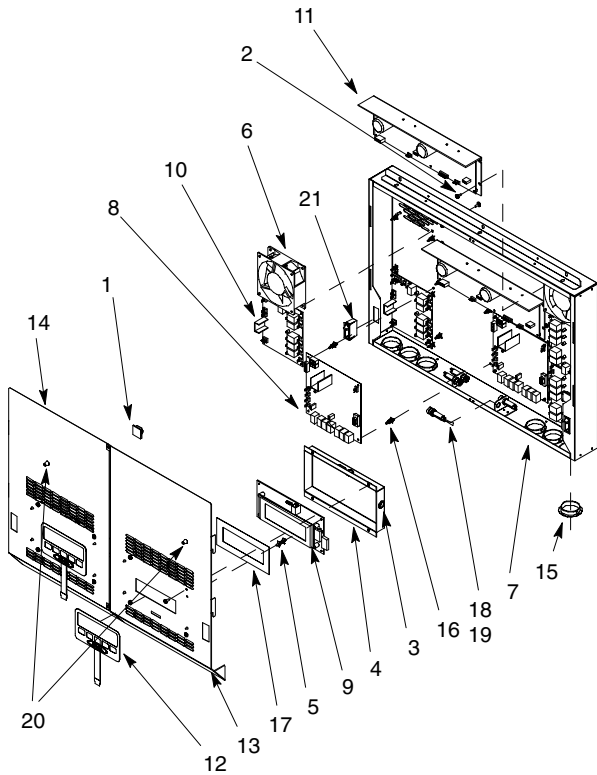


FIGURE 30. 4FL CONTROL BOX ASSEMBLY

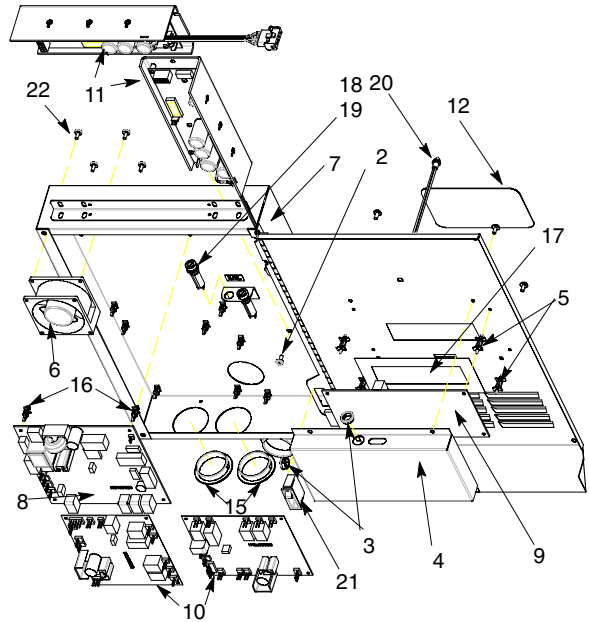


FIGURE 31. 2FL CONTROL BOX ASSEMBLY

Wire Harnesses (Not Shown)	
560003278	Harness, Phone Lines
560002171	Harness, Main Display Board
560006071	Harness, Low Volt, Emerson
560006070	Harness, High Volt, Emerson
560007148	Inverter to Product Delivery #1, Emerson
560007149	Inverter to Product Delivery #2, Emerson
620316491	Harness, In-rush Protection, Emerson
560006412	Harness, High Voltage, Baldor
560006413	Harness, Low Voltage, Baldor

Wire Harnesses (Not Shown)	
560002148	Inverter to Product Delivery, Baldor
620317419	Harness, Hall Sensor Replacement, Baldor
560006463	Harness, Pressure Switch (Remote Only)
560004781	Harness, Main Power to Contactor
620317401	Harness, Main Power to Contactor (Export)
620316479	Harness, Control Board to Reset Switch
620316480	Harness, Control Board to Thermostats

Item No.	Part No.	Name
	560006578	Cover Assy Top (4FL)
	560006579	Cover Assy Top (2FL)
1	560006581	Cover Top (4FL)
	560006556	Cover Top (2FL)
2	560006562	Brkt Clip RH Top
3	560006561	Brkt Clip LH Top
4	317656039	Grille Black
5	317658000	Nut Push .188 Stud
6	620700101	Rivet Pop .125 Dia.

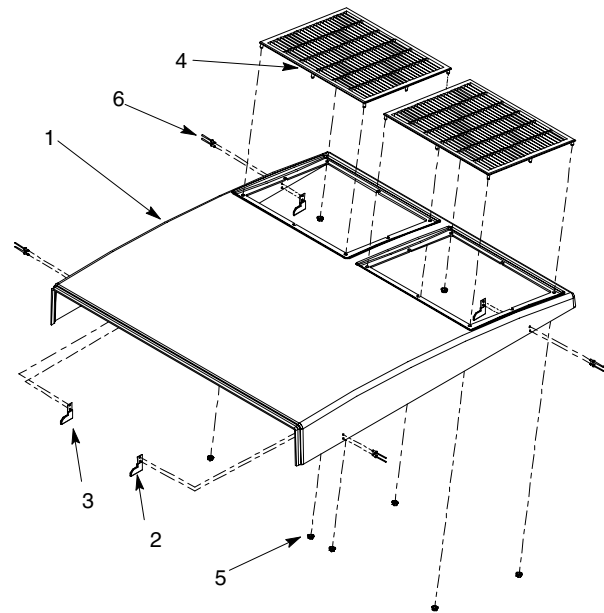


FIGURE 32. TOP COVER ASSEMBLY

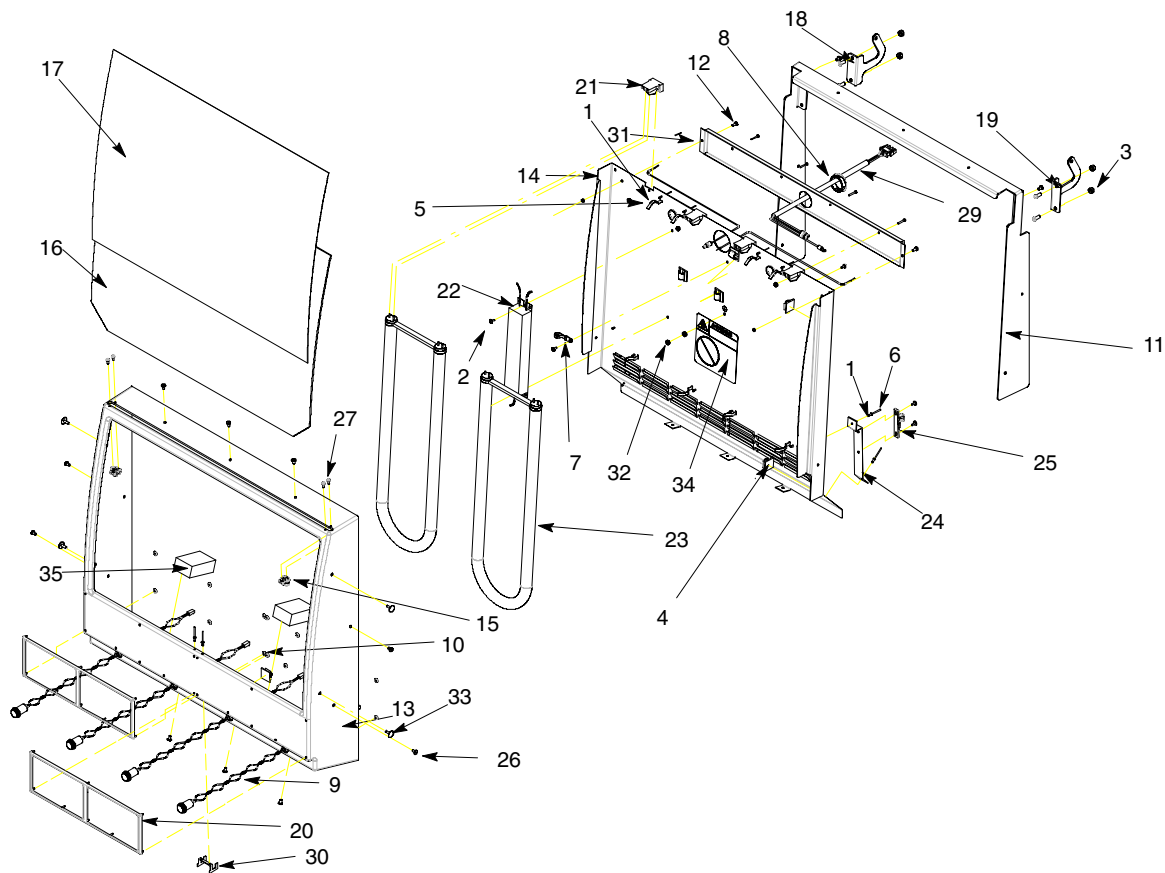


FIGURE 33. MERCHANDISER ASSEMBLY

Item No.	Part No.	Name
	560006576	Merchandiser Assy (4FL)
	560006577	Merchandiser Assy (2FL)
1	2098	Clip Bulb
2	70171	Screw MA 8-32 TRPH 12
3	189429000	Nut Hex 1/4-20
4	313736000	Clip Guide
5	70153	Screw MA 6-32 RDPH 24
6	620700101	Rivet Pop .125 Dia.
7	360174000	Tie Cable
8	560002627	Bushing Snap
9	560006591	Indicator
10	318036000	Nut Push .125 Stud (for #20)
11	560006557	Support Inner Merch (4FL)
	560006435	Support Inner Merch (2FL)
12	330181000	Nut Hex 6-32
13	560006580	Merchndsr Door (4FL)
	560006590	Merchndsr Door (2FL)
14	560006652	Panel Backup Reflector (4FL)
	560006862	Panel Backup Reflector (2FL)
15	560006583	Guide Lens Merch
16	560006584	Lens Support (4FL)
	560006473	Lens Support (2FL)
17	560006585	Lens Clear (4FL)
	560006474	Lens Clear (2FL)

Item No.	Part No.	Name
18	620049176	Brkt Hinge LH Merch
19	620049177	Brkt Hinge RH Merch
20	560006589	Display Flavor Card Holder
21	560006594	Lamp Holder Selflock
22	560006595	Ballast Rapid 120/277V 50/60HZ
23	560006596	Bulb Flour
24	560006654	Brkt Bottom Reflector
25	560001783	Latch Door
26	620709907	Rivet Pop .188 Dia.
27	560006559	Screw TF 4 PAPH 12
28	560006563	Harness Jumper Ballast Merch (Not Shown)
29	560006592	Harness Wiring Merch
30	560006593	Brkt Support Merch
31	560006653	Brkt Top Reflector (4FL)
	560006863	Brkt Top Reflector (2FL)
32	70076	Nut Hex 8-32
	560006864	Price Wing Lens (Not Shown)
	560006600	Price Wing (Not Shown)
33	560006560	Plastic Pushmounts
34	560007562	Light Bulb Install Label
35	620200805	Pad Foam w/ Adhesive