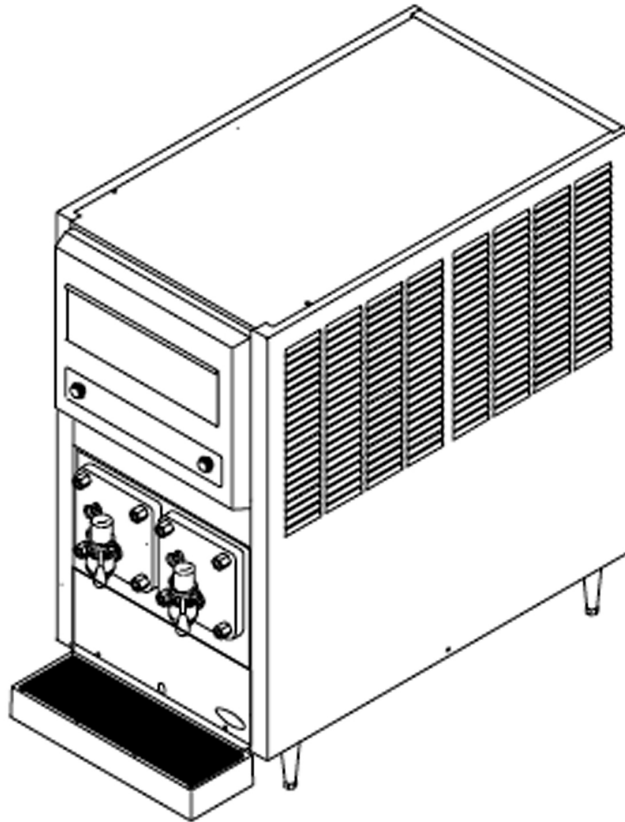




**FCB (OC2) POST-MIX DISPENSER
WITH HOT-GAS DEFROST AND V4 ELECTRONICS
(DEFROST/ERROR INDICATOR LIGHTS)**

Illustrated Parts List



Release Date: July 7, 2003

Publication Number: 560001281IPL

Revision Date: March 20, 2014

Revision: E

Visit the Cornelius web site at www.cornelius.com for all your Literature needs.

The products, technical information, and instructions contained in this manual are subject to change without notice. These instructions are not intended to cover all details or variations of the equipment, nor to provide for every possible contingency in the installation, operation or maintenance of this equipment. This manual assumes that the person(s) working on the equipment have been trained and are skilled in working with electrical, plumbing, pneumatic, and mechanical equipment. It is assumed that appropriate safety precautions are taken and that all local safety and construction requirements are being met, in addition to the information contained in this manual.

This Product is warranted only as provided in Cornelius' Commercial Warranty applicable to this Product and is subject to all of the restrictions and limitations contained in the Commercial Warranty.

Cornelius will not be responsible for any repair, replacement or other service required by or loss or damage resulting from any of the following occurrences, including but not limited to, (1) other than normal and proper use and normal service conditions with respect to the Product, (2) improper voltage, (3) inadequate wiring, (4) abuse, (5) accident, (6) alteration, (7) misuse, (8) neglect, (9) unauthorized repair or the failure to utilize suitably qualified and trained persons to perform service and/or repair of the Product, (10) improper cleaning, (11) failure to follow installation, operating, cleaning or maintenance instructions, (12) use of "non-authorized" parts (i.e., parts that are not 100% compatible with the Product) which use voids the entire warranty, (13) Product parts in contact with water or the product dispensed which are adversely impacted by changes in liquid scale or chemical composition.

Contact Information:

To inquire about current revisions of this and other documentation or for assistance with any Cornelius product contact:

www.cornelius.com

800-238-3600

Trademarks and Copyrights:

This document contains proprietary information and it may not be reproduced in any way without permission from Cornelius.

Printed in U.S.A.

TABLE OF CONTENTS

Overcounter FCB Post-Mix Dispenser	1
Secondary CO2 Regulator Components	4
Control Box Components	4
Secondary CO2 Regulator Assembly	5
Tube Assembly	5
Tube Assembly	5
Blender and Tubing Components	6
Tubing Assembly (Carb Water).	7
Tubing Assembly (Syrup).	7
Tubing Assembly (Blender to Freeze Cylinder)	7
Tubing Assembly (Water Solenoid to Blender)	8
Tubing Assembly (Regulator to Blender)	8
Double Check Valve Assembly	8
Solenoid Valve Assembly	9
Blender Components	10
Control Box & Display Panel Components	11
Faceplate Assembly.	12
Dispensing Valve Assembly.	13
Carbonator Components	14
Tubing Assembly	14
Drip Tray Drain Kit	14
Carbonator Tank and Linkage Assembly	15
Pump and Motor Assembly	16
Beater Motor Drive Shaft/Seal Assembly	17

OVERCOUNTER FCB POST-MIX DISPENSER

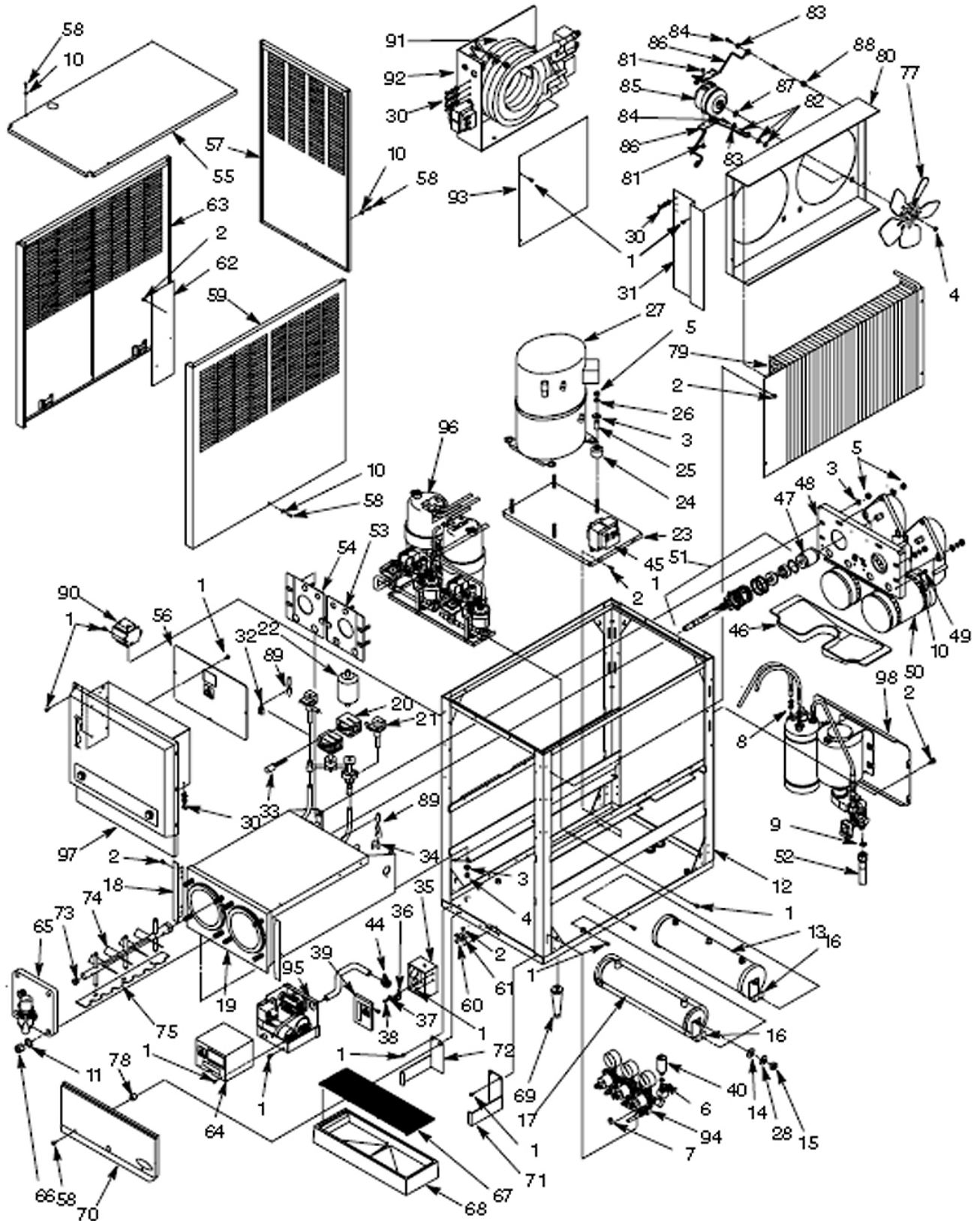


Figure 1. Overcounter FCB Post-Mix Dispenser



Table 1. Overcounter FCB Post-Mix Dispenser

Item No.	Part No.	Name
1	319941000	Screw, TR 08-32 HXWS 12
2	325282000	Screw, SD 08-18 HXWS 16
3	318418000	Washer, Ft .312 I.D.
4	189429000	Nut, Hex 1/4-20
5	560004690	Nut, Hex 5/16-18
6	178025100	Gasket, 1/4 Male Flare
7	200498003	Nut, Hex 8-32
8	560004335	Clamp
9	311304000	Gasket, 3/8 Male Flare
10	343304000	Washer SR .204 I.D.
11	320916000	Washer Ft .450 I.D.
12	2604 560003622	Frame Frame Top Cond
13	2582	Receiver
14	186147000	Washer, Ft .375 I.D.
15	150777000	Nut, Hex 3/8-16
16	2613	Brkt, Recvr/Accum
17	2581	Accum
18	325701000	Extension, Foam Pack
19	4409	Foam Pack
20	325579000	Solenoid, Pull 208/240V 50/60HZ
21	326071000	Valve, Expan Solnd
22	60686	Dryer
23	2623	Base, Sub Compressor
24	3608	Grommet, Compr
25	3609	Spacer, Comp Mount
26	186148000	Washer, Lk .319 I.D.
27	3898 4274 629087545	Kit, Comp 2HP 240/60 Kit, Comp 3HP 230/5/6 Kit, Comp 3HP 220/50
28	325673000	Washer, SR .384 I.D.
29	309524011	Cord, Jump (Not Shown)
30	0831	Clip, Retain Syr Line
31	3038	Shield, Wire Brkt
32	309338011	Clip, Sensor Small
33	1317	Filter, Elec Solnd
34	309338012	Clip, Sensor Large
35	560000929	Box, Elec Utility
36	321811000	Nut, Hex 10-32
37	325145000	Washer, SR .205 I.D.
38	325069000	Screw, MA 10-24 HXSL 16
39	560000930	Cover, Elec Box
40	325776000	Switch, Press CO2 50-75PSI 240V
41	560001286	Harn, Wire Input (Not Shown)
42	560001288	Harn, Wire Output (Not Shown)
43	560001290	Harn, Wire Hot Gas (Not Shown)
44	3231	Strain Relief
45	560001283	Transfrmr, 230V 50/60HZ-115V

Table 1. Overcounter FCB Post-Mix Dispenser

Item No.	Part No.	Name
46	3879	Cover, Motor
47	3787	Coupling, Shaft
48	3238	Brkt, Mtr Beat
49	320940000	Screw, SD 10-16 HXWS 20
50	4210 4689	Motor, Gear Kit 230/5/6 Motor, Gear 230/5/6 120RPM
51	3156	Shaft, Drive Assy (See Figure 24)
52	176272396	Tube Conn .375 I.D. x 96" (See Figure 20)
53	3236	Plate, Mtr Beat LH
54	3237	Plate, Mtr Beat RH
55	560001292 560004946 560004315 2685 560005118 560004918 560003649 560004944 560001293 560003618 560004418 3104	Panel, Top White Panel, Top Top Cond White Pane, Top Beige WL Panel, Top Beige Panel, Top Top Cond New Panel, Top EXP Thai Panel, Top Black Panel, Top Top Cond Black Panel, Top SST Panel, Top Top Cond Panel, Top Top Cond SST Pane, Top SST
56	2716	Cover, Cntrl Box Upper
57	560000845 560004935 2672 560005119 560004919 560003373 33103	Panel, Back Wht Panel, Back Top Cond White Panel, Back Beige Panel, Back Top Cond New Panel, Back Thai Beige Panel, Back Black Panel, Back Top Cond Black
58	3108	Screw, TC 10-32 PAPH 32
59	560000844 560004936 2671 560005120 560004920 560003372 560004931 3102 560003620	Panel, Side RH White Panel, Side RH Top Cond White Panel, Side RH Beige Panel, Side RH Top Cond Beige Panel, Side RH Thai Beige Panel, Side RH Black Panel, Side RH Top Cond Black Panel, Side RH SST Panel, Side RH Top Cond SST
60	320754000	Tube, Drain
61	320776000	Strap, Tube
62	3173	Shield, Wire Side
63	560000843 560004937 2670 560005121 560004921 560003371 560004932 3101 560003621	Panel, Side LH White Panel, Side LH Top Cond White Panel, Side LH Beige Panel, Side LH Top Cond Beige Panel, Side LH Thai Beige Panel, Side LH Black Panel, Side LH Top Cond Black Panel, Side LH SST Panel, Side LH Top Cond SST
64	3832	Cover, Control Box
65	326106000 560004156	Door, Frz Cyl Assy (See Figure 17) Door, Frz Cyl Assy Lancer (See Figure 17)
66	320553001	Nut, Hex 7/16-14
67	317660000 620708530	Cup, Rest Cup, Rest, New

Table 1. Overcounter FCB Post-Mix Dispenser

Item No.	Part No.	Name
68	317659029 317659049 620046231	Drip, Tray Drip, Tray Top Cond Drip, Tray, New
69	3184	Leg, Leveler
70	560003643 560003645	Panel, Front Splash Panel, Splash Long
71	2739 620051269 560003980 620052091	Bracket, Drip Tray RH Bracket, Drip Tray RH, New Bracket, Drip Tray RH Top Cond Bracket, DripTray Rh Top Cond, New
72	2738 620051268 560003647 620052090	Bracket, Drip Tray LH Bracket, Drip Tray LH, New Bracket, Drip Tray LH Top Cond Bracket, Drip Tray LH Top Cond, New
73	2392	Bushing, Split
74	2353 3432	Body, Beater Body, Beater W/Paddle
75	325457000	Blade, Scraper
76	326002000	Kit, Drain Drip Tray (Not Shown; See Figure 21)
77	3113 560004429	Fan, 10" Diameter 5-Blade Fan, 11" Diameter 5-Blade
78	3247	Spacer, 0.192 ID X 0.500 OD
79	2580 560003623	Condenser Coil Air Cooled Condenser Coil Top Condenser
80	2621 560003626 560004333	Shroud, Condenser Air Cooled Shroud, Condenser Top Condenser Shroud, Condenser 50 HZ Top Condenser
81	186154000	Screw, SE8-36 PHPH 12
82	320539000	Washer, FT 0.191 ID
83	120227000	Washer, Block 0.194 ID
84	186770000	Screw, Machine 10-24 RDPH 20
85	309316000 560004264 560003636	Motor, Fan 35 W 240/60 1550 RPM Motor, Fan 50 W 230/50 1400 RPM Motor, Fan 35W 240/60HZ 1550 RPM
86	2944 560004334	Bracket, Motor Fan Bracket, Motor Fan 50sixHZ Top Cond
87	187394000	Cushion, Fan Mount
88	321484000	Grommet
89	326073012	Lead, Thermostat Sensor
90	319739000	Transformer, 230V 50/60HZ-24V 50VA
91	0666	Condenser Coil Water Assembly
92	560003002	Bracket Condenser Water Cool
93	560003003	Shield, Wire Bracket Water
94		Secondary CO2 Regulator Components (See Figure 2)
95		Control Box Components (See Figure 3)
96		Blender & Tubing Components (See Figure 7)
97		Control Box & Display Panel Components(See Figure 16)
98		Carbonator Components (See setFigure 19)

SECONDARY CO2 REGULATOR COMPONENTS

Table 2. Secondary CO2 Regulator Components

Item No.	Part No.	Name
1	178025100	Casket, 1/4 Male Flare
2	140594000	Tubing Vinyl 0.312 ID (Sold by the foot)
3	174061196	Tube, Conn 0.265 ID X 96" (See Figure 5)
4	2827 560003991	Tube Prod 0.250 ID X 60" (See Figure 6) Tube Prod 0.250 ID X 45" (See Figure 6)
5	176193000	Fitting Straight 1/4 MF X 2
6	3049	Reg S 60 X 2 100 PSI (See Figure 4)
7	174058000	Tubing Poly 0.156 ID Sold by the foot
8	317528000	Fitting, T-Barb 1/8 (3)
9	174058000	Tubing Poly 0.156 ID Sold by the foot
10	300393000	Fitting T-Barb 11/60 4X3/8 (2)
11	174058000	Tubing Poly 0.156 ID Sold by the foot
12	140594000	Tubing Vinyl 0.312 ID Sold by the foot

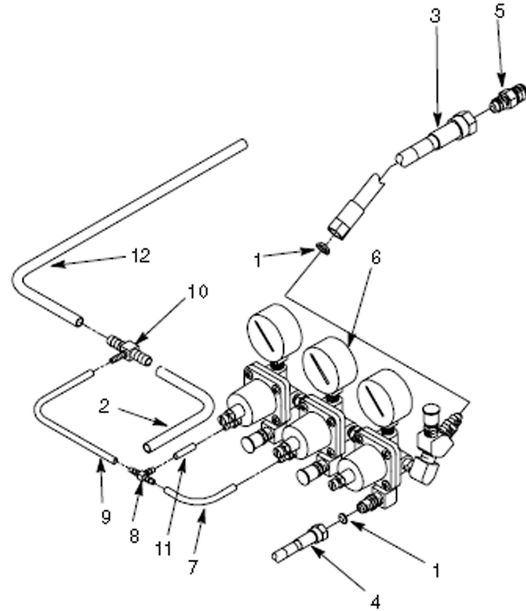


Figure 2. Secondary CO2 Regulator Components

CONTROL BOX COMPONENTS

Table 3. Control Box Components

Item No.	Part No.	Name
1	319941000	Screw, TR 8-32 HXWS 12
2	3831	Box, Control Lower
3	320620000	Relay, 208/240V 50/60 HZ
4	40285 560004269 620314019	Relay, Start Relay, Start-If Comp CS27K3E-PFZ Relay, Start-If Comp CS24K6E-PFZ
5	3595	Strap, Capac
6	560003369 40284 560004267 560002378	Cap Srt 330V 50/60HZ Cap Srt 220V Cap Srt 330V-If Comp CS27K3E-PFZ Cap Srt-If Comp CS24K6E-PFZ
7	325518000 161192005 620314309	Cap Srt 330V 50/60HZ Cap Srt 330V Cap Srt 370V 50/60HZ-If Comp CS24K6E-PFZ
8	325192000	Bushing, Snap
9	3310	Cord, Jump

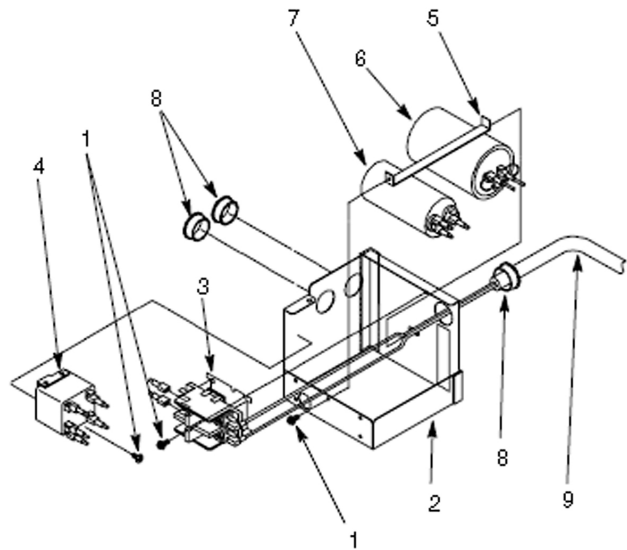
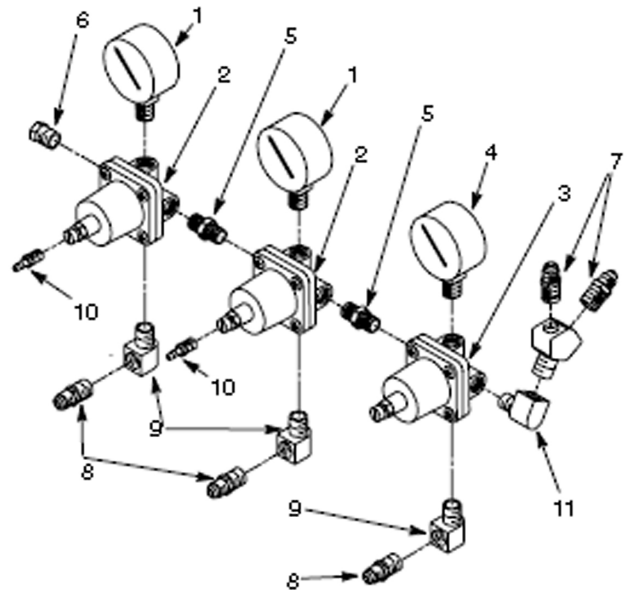


Figure 3. Control Box Components

SECONDARY CO2 REGULATOR ASSEMBLY

Table 4. Secondary CO2 Regulator Assembly

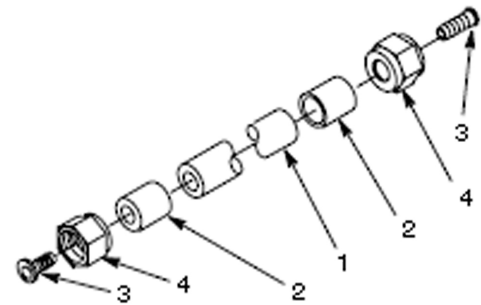
Item No.	Part No.	Name
	3049	Reg S 60 X 2 100 PSI
1	183287000	Gauge 60 PSI
2	183446016	Reg S Sq 30 PSI Orange
3	183412016	Reg S Sq 100 PSI
4	183286000	Gauge 100 PSI
5	183047000	Fitting 1/4 MPT X 2 Hevy Br
6	130066000	Fitting Plug 1/4 MPT
7	183061000	Fitting Straight 1/4 MPT X 7/16-20
8	183301100	Valve Check W/Adapter
9	183068000	Fitting L STD 1/4 NPT
10	324211000	Fitting Barb 5/32 X 1 1/16 NPT
11	183045000	Fitting Y STD 1/4 MPT X 1/4 FPT


Figure 4. Secondary CO2 Regulator Assembly

TUBE ASSEMBLY

Table 5. Tube Assembly

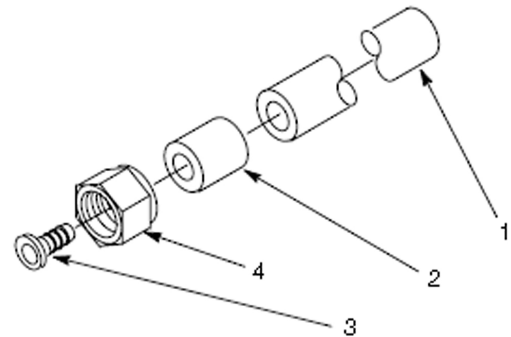
Item No.	Part No.	Name
	174061196	Tube Conn 0.265 ID X 96"
1	174478000	Tubing Flex 0.265 ID Sold by the foot
2	176000000	Ferrule 0.500 ID
3	77010400	Fitting Nipple 1.265 ID Tube
4	1176017000	Not Swivel 7/16-20


Figure 5. Tube Assembly

TUBE ASSEMBLY

Table 6. Tube Assembly

Item No.	Part No.	Name
	2827 560003991 309379000	Tube, Prod 0.250 ID X 60" Tube, Prod 0.250 ID X 45" Tube, Prod 0.250 ID X 22"
1	174103001	Tube, Vinyl 0.250 ID Sold by the foot
2	176001000	Ferrule 0.425 ID
3	77010400	Fitting Nipple 0.265 ID Tube
4	176017000	Nut, Swivel 7/16-20


Figure 6. Tube Assembly

BLENDER AND TUBING COMPONENTS

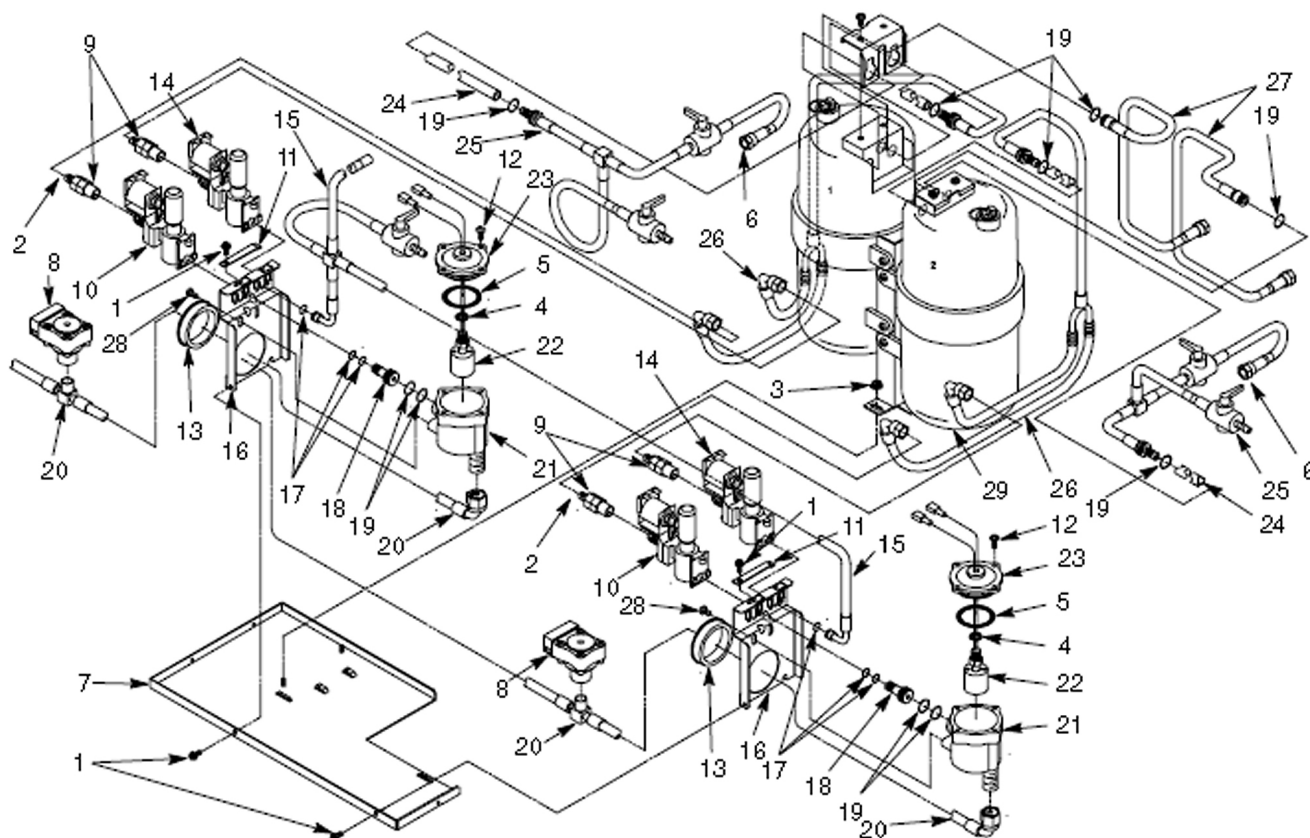


Figure 7. Blender and Tubing Components

Table 7. Blender and Tubing Components

Item No.	Part No.	Name
1	319941000	Screw, TR 8-32 HXWS 12
2	178025100	Gasket, 1/4 Male Flare
3	200498003	Nut Nut 8-32
4	315931000	O-Ring 0.364 ID
5	315925000	O-Ring 1.60 ID
6	178025200	Gasket 5/15 Male Flare
7	2657	Base Brix Mod/Blender
8	5081	Switch, Soldout
9	311764001	Valve, Check Single (See Figure 13)
10	2487	Valve, Solenoid Assembly Syrup (See Figure 14)
11	2469	Retainer Module Brix
12	343487000	Screw MA 8-32 PAPH 16
13	316963000	Bushing, Snap
14	2486	Valve Solenoid Assembly, Water (See Figure 14)
15	2780 560003992	Tube Assy 4W SO Carb Water (See Figure 8) Tube Assy 4W SO Carb Water Top Condenser (See Figure 8)

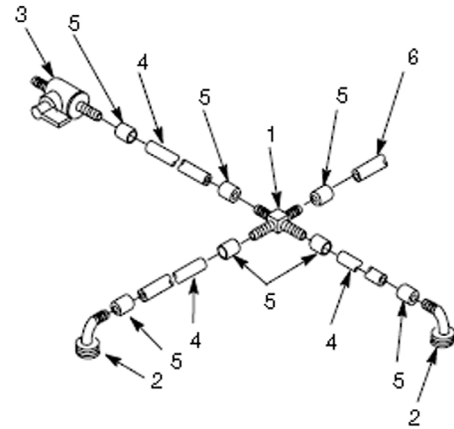
Table 7. Blender and Tubing Components

Item No.	Part No.	Name
16	2680	Bracket, Brix Module
17	317015000	O- Ring 0.239 ID
18	2462	Fitting Brix Module
19	183008000	O-Ring 0.489 ID
20	560000855	Tube Assembly T Syrup (See Figure 9)
21	315915000	Body Flow Switch
22	325170000	Switch, Flow and Term
23	315916000	Cover, Switch Liquid Filter
24	325576000	Tube, Siphon
25	2781	Tube, Assy T S0 Valve (See Figure 10)
26	2779	Tube Assembly Y Blender/Solenoid (See Figure 11)
27	326098000	Tube Conn 0.250 ID X 48" (See Figure 12)
28	186150000	Screw, MA 8-32 PAPH 12
29		Blender Components (See Figure 15)

TUBING ASSEMBLY (CARB WATER)

Table 8. Tubing Assembly (Carb Water)

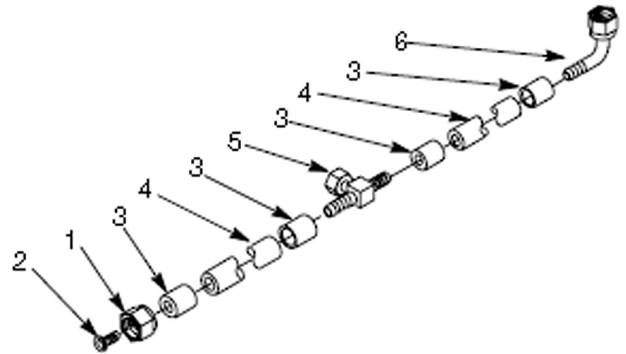
Item No.	Part No.	Name
	2780 560003992	Tube Assembly 4W SO Carb Water Tube Assembly 4W SO Carb Water (Top Condenser)
1	77060200	Fitting C-Barb 1/4 (4)
2	77050100	Fitting Valve Dole 1/4 Brb L
3	325012000	Valve, Shut-Off 1/4 Barb
4	174103000	Tubing Poly 0.250 ID Sold by the foot
5	176001000	Ferrule 0.425 ID
6	174103001	Tubing Vinyl 0.250 ID Sold by the foot


Figure 8. Tubing Assembly (Carb Water)

TUBING ASSEMBLY (SYRUP)

Table 9. Tubing Assembly (Syrup)

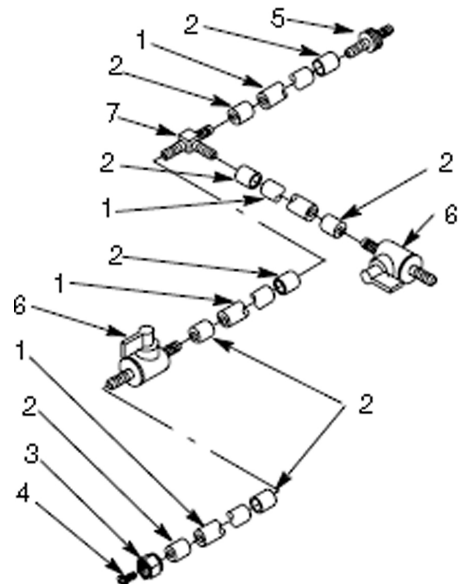
Item No.	Part No.	Name
	560000855	Tube Assembly T Syrup
1	176017000	Nut Swivel 7/16-20
2	77010400	Fitting Nipple 0.265 ID Tube
3	176000000	Ferrule 0.500 ID
4	174478000	Tubing Flex 0.265 ID Sold by the foot
5	5083	Fitting T Barb 1/4 (2) X1/8 FPT
6	77046000	Fitting L Swv 5/8-18 1/4 Barb


Figure 9. Tubing Assembly (Syrup)

TUBING ASSEMBLY (BLENDER TO FREEZE CYLINDER)

Table 10. Tubing Assembly (Blunder to Freeze Cylinder)

Item No.	Part No.	Name
	2781	Tube Assembly T SO Valve
1	174103000	Tubing Poly 0.250 ID Sold by the foot
2	176001000	Ferrule 0.425 ID
3	77020100	Nut, Swivel 1/2-6
4	77020400	Fitting Nipple 0.265 ID Tube
5	1561	Fitting Splicer 0.2 50X 0.312
6	325012000	Valve, Shot-1/4-Barb
7	77060100	Fitting T-Barb 1/4 (3)


Figure 10. Tubing Assembly (Blunder to Freeze Cylinder)

TUBING ASSEMBLY (WATER SOLENOID TO BLENDER)

Table 11. Tubing Assembly (Water Solenoid to Blender)

Item No.	Part No.	Name
	2779	Tube Assembly Y Blunder/Solenoid
1	311742000	Fitting Splicer 0.250X 0.312
2	176001000	Ferrule 0.425 ID
3	174103000	Tubing Poly 0.250 ID Sold by the foot
4	311908000	Clamp
5	77900500	Manifold, U 1/4-Barb (3)
6	77040100	Fitting L Swv 1/4 FLX1/4 Barb

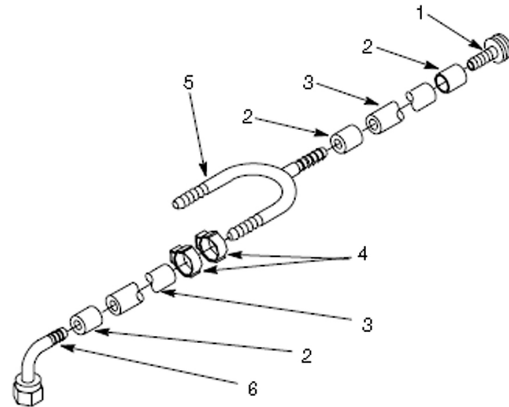


Figure 11. Tubing Assembly (Water Solenoid to Blender)

TUBING ASSEMBLY (REGULATOR TO BLENDER)

Table 12. Tubing Assembly (Regulator to Blender)

Item No.	Part No.	Name
	326098000	Tube Conn 0.250 ID X 48"
1	174103000	Tubing Poly 0.250 ID Sold by the flood
2	176001000	Ferrule 0.425 ID
3	176017000	Nut, Swivel 7/16-20
4	77010400	Fitting Nipple 0.265 ID Tube
5	311741000	Fitting Conn 1/4-Barb

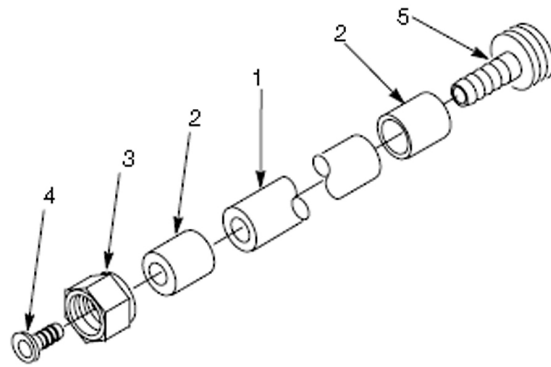


Figure 12. Tubing Assembly (Regulator to Blender)

DOUBLE CHECK VALVE ASSEMBLY

Table 13. Double Check Valve Assembly

Item No.	Part No..	Name
	311764001	Valve, Check Single
1	317965000	Retainer, Check Valve
2	312196000	Spring, Ball Check Valve
3	312419000	Ball, 0.312 Dia.
4	3312415000	Washer, Flat 0.300 ID
5	312418000	Quad Ring 0.239 ID
6	317963000	Receptacle Check Valve

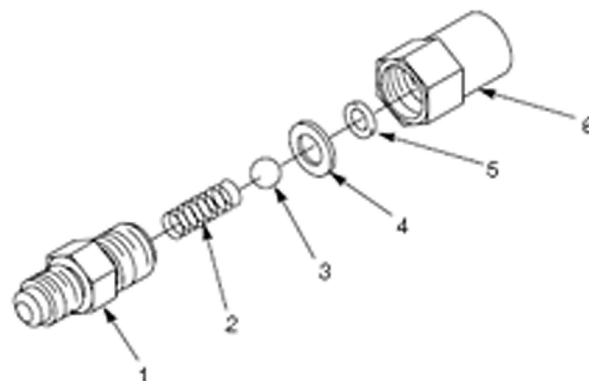


Figure 13. Double Check Valve Assembly

SOLENOID VALVE ASSEMBLY

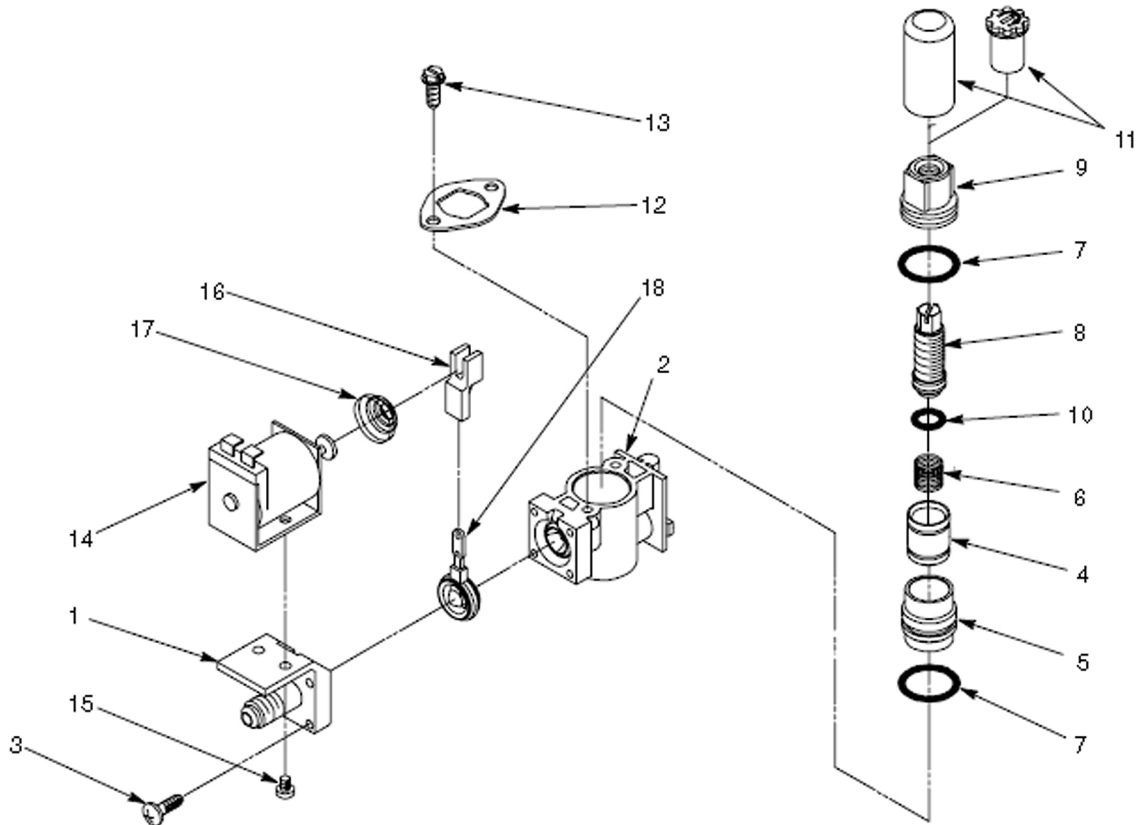


Figure 14. Solenoid Valve Assembly

Table 14. Solenoid Valve Assembly

Item No.	Part No.	Name
	2486 2487	Valve, Solenoid Assembly Water Valve, Solenoid Assembly Syrup
1	2356	Block Valve
2	1319	Body Valve
3	0837	Screw, SM 06 TB PAPH 20
4	310754011 310480011	Piston Water Piston Syrup
5	317431011	Cylinder, Flow Control
6	310482000	Spring, Reg Syrup
7	317816000	O-Ring 0.676 ID
8	310632051	Screw, Adj Syrup and Water Reg

Table 14. Solenoid Valve Assembly

Item No.	Part No.	Name
9	1318	Housing, Flow Control
10	180025000	O-Ring 0.364 ID
11	309992000 309991000	Cap, Sleeve Knob Adjusting Syrup
12	1545	Retainer, Housing Flow Control Valve
13	1081	Screw, TP 8-16 16
14	0024	Solenoid, Pull 24V
15	187188000	Screw, FC 8-32 PAPH 08
16	317579000	Arm Solenoid
17	318528000	Spring, Compsn
18	311355000	Valve, Inlet

BLENDER COMPONENTS

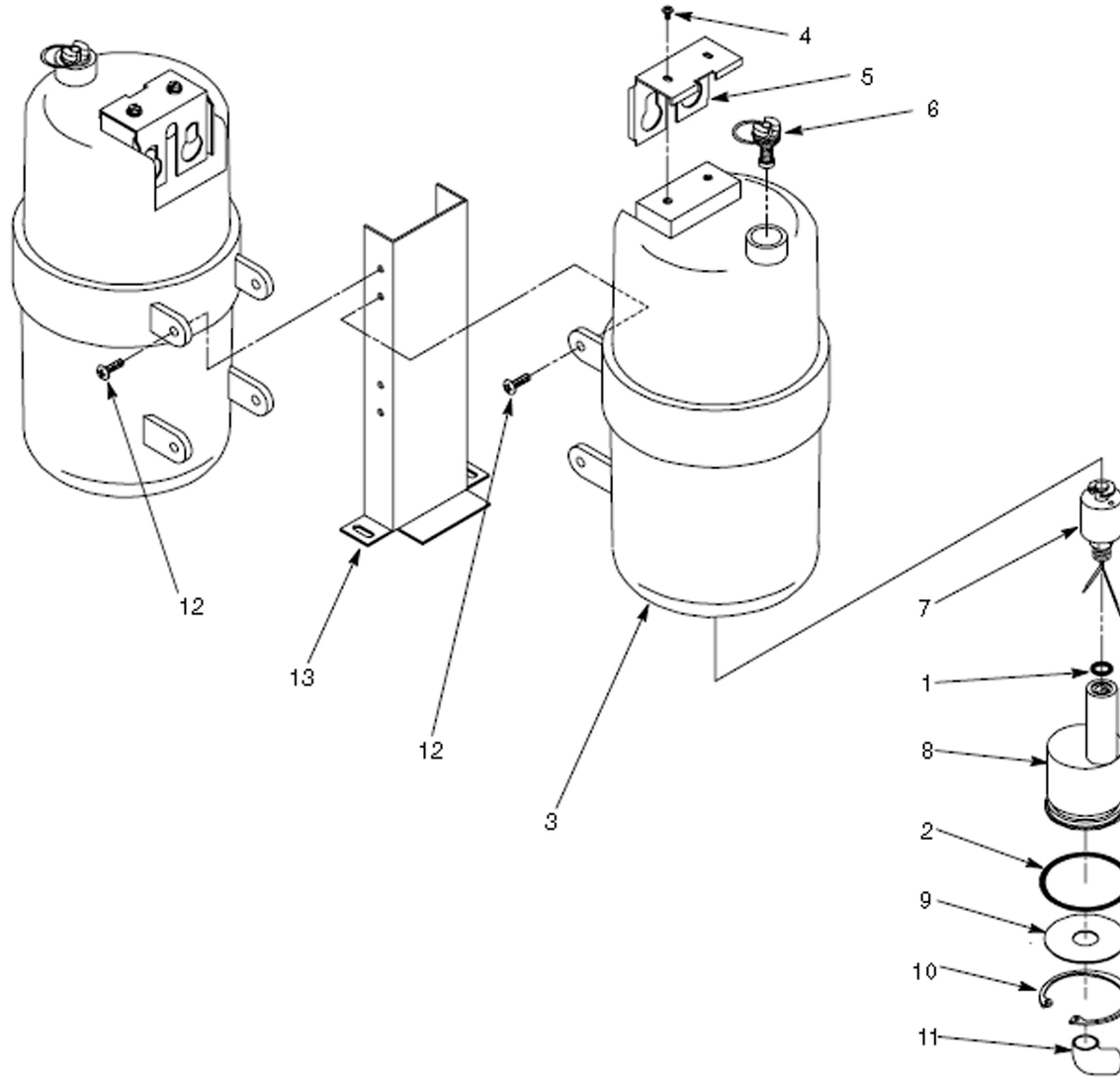


Figure 15. Blender Components

Table 15. Blender Components

Item No.	Part No.	Name
1	315931000	O-Ring 0.364 ID
2	315925000	O-Ring 1.60 ID
3	324194888 324205888	Tank, Blender 1 Float Tank, Blender 2 Float
4	311751000	Screw, MA 4-40 HXSL 08
5	311743000	Retainer Nip
6	326105000	Valve, Relief 50 PSI

Table 15. Blender Components

Item No.	Part No.	Name
7	325288000	Switch, Float Assembly
8	324048000	Holder, Float Switch
9	324116000	Washer, Flat 0.625 ID
10	324115000	Retainer, Ring
11	186570000	Strain Relief
12	188206000	Screw, TR-24 TRPH 24
13	2625	Support Blender

CONTROL BOX & DISPLAY PANEL COMPONENTS

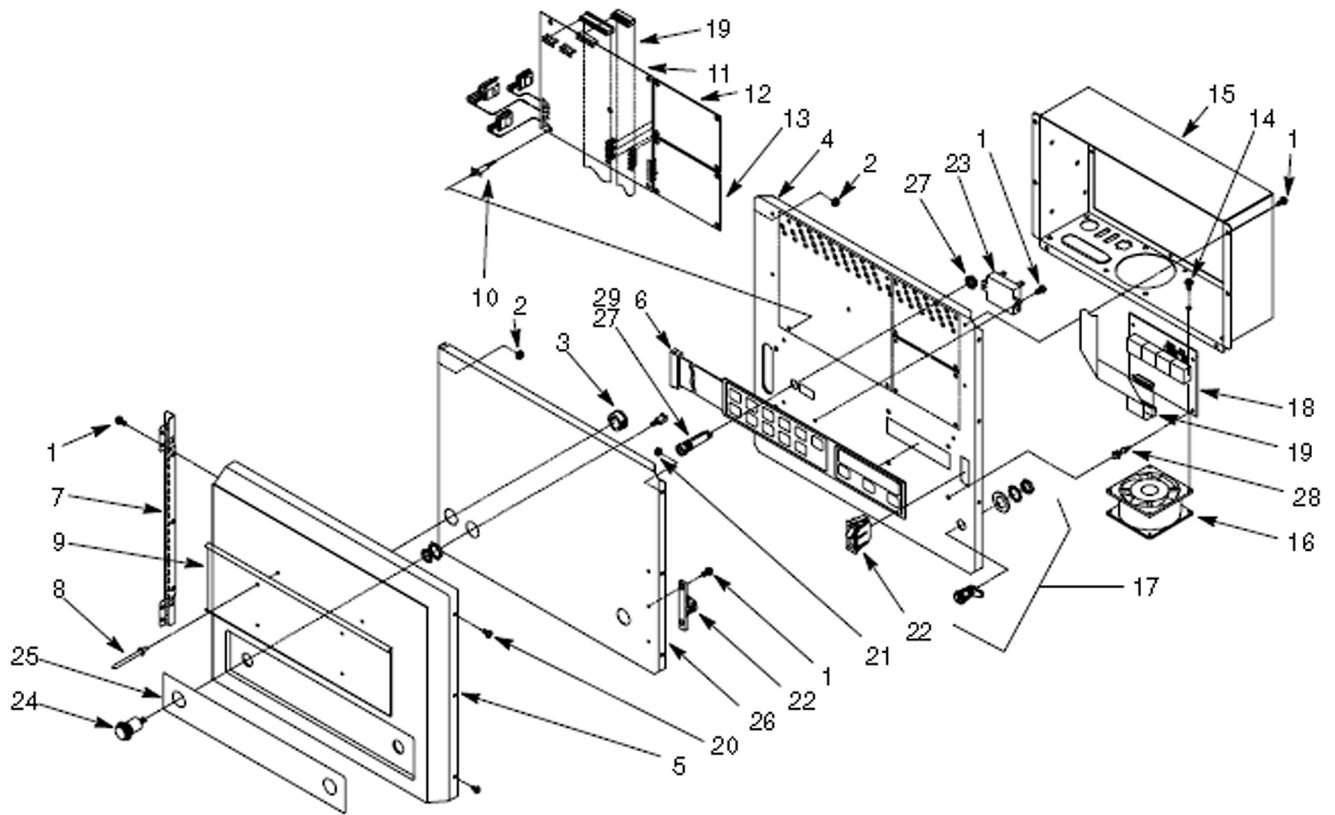


Figure 16. Control Box & Display Panel Components

Table 16. Control Box & Display Panel Components

Item No.	Part No.	Name
1	319941000	Screw, TR 8-32 HXWS 12
2	200498003	Nut, Hex 8-32
3	320389000	Pushing, Snap 0.875 Dia.
4	2704	Panel, Back Display
5	560000931	Cover, Switch Lens
6	4712 325962040	Switch, Touch Switch, Touch
7	560001794	Hinge, Display
8	189955000	Rivet
9	325981069	Holder, Flavor Tab
10	325925000	Support, PC Board
11	324136001	Board, Circuit
12	326077000	Board, Circuit Motor 2
13	326076000	Board, Circuit Motor 1
14	312251000	Screw, TR 10-24 PAPH 12
15	2651	Box, Control Upper

Table 16. Control Box & Display Panel Components

Item No.	Part No.	Name
16	0150	Fan Cage 230V 9W
17	2895	Latch, Door
18	32607800	Board, Circuit
19	326079000	Cable, Ribbon
20	320271000	Screw, TC 6-32 PAPH 12
21	330181000	Nut, Hex 6-32
22	560001783	Latch, Door
23	560001278 560005079	Relay, SPST 10A 125V 60HZ Relay, SPST 10A 240V 50/60HZ
24	560000932	LED, Light Indicator
25	560000933	Label, Warning
26	560000934	Panel, Door
27	560001282	Holder, Use Panel
28	560001784	Support, PC Board
29	560001808 60093001	Fuse, 75A Fuse, 2A

FACEPLATE ASSEMBLY

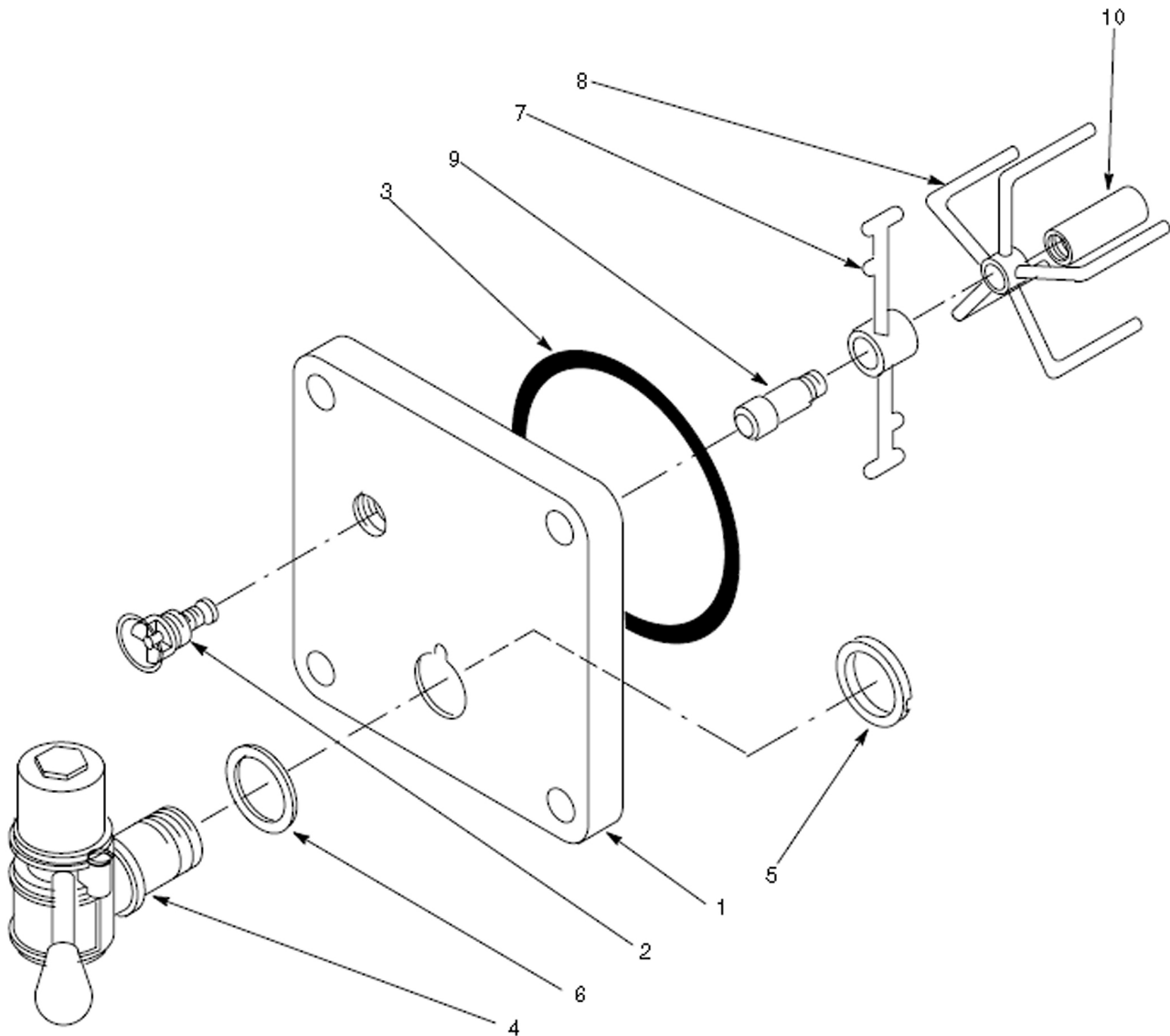


Figure 17. Faceplate Assembly

Table 17. Faceplate Assembly

Item No.	Part No.	Name
	326106000 560004156	Door, Freeze Cylinder Assy Door, Freeze Cylinder Assy Lancer
1	325918000 560004155	Door, Freeze Cylinder Door, Freeze Cylinder Lancer
2	325954000	Stem, Assembly R-Val
3	320678000	O-Ring 4.60 ID
4	1557 620607712 560003974	Valve, Disp Assy (See Figure 18) Valve, Disp Delta Valve, Lancer DDV

Table 17. Faceplate Assembly

Item No.	Part No.	Name
5	321652000 560004161	Nut, Shank Ring, Retainer Lancer
6	325936000 560004154	Spacer, Val Adapter Lancer
7	321269001	Spinner Freeze Cylinder
8	322441000	Sensor Visc Mld
9	2361	Shaft Pivot Faceplate
10	2358	Pin Beater Bar
11	321653000	O-Ring 0.862 ID (Not Shown)

DISPENSING VALVE ASSEMBLY

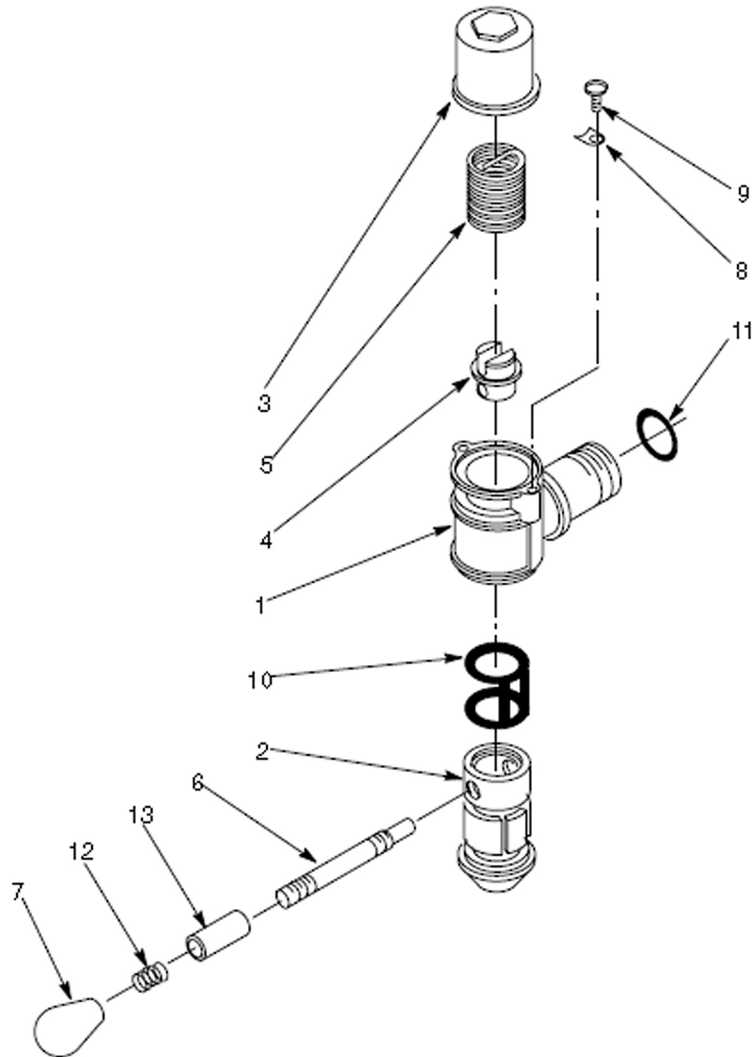


Figure 18. Dispensing Valve Assembly

Table 18. Dispensing Valve Assembly

Item No.	Part No.	Name
	1557	Valve Dispenser Assembly
1	1556	Body, Valve W/Stop
2	1554	Body, Valve Ribbed
3	1576	Housing Spring
4	1575	Retainer Spring Valve
5	325305000	Spring, Torsion
6	321651000	Lever, Valve

Table 18. Dispensing Valve Assembly

Item No.	Part No.	Name
7	1555	Knob
8	325647000	Plate Valve
9	317784000	Screw, TC 8-18 TRPH 16
10	2818	O-Ring Caged
11	321653000	O-Ring 0.862 ID
12	1544	Spring, Compression
13	1543	Tube Release

CARBONATOR COMPONENTS

Table 19. Carbonator Components

Item No.	Part No.	Name
1	2682	Bracket, Motor Pump Carbonator
2	320767000	Screw, SCE 10-24 PAPH 12
3	560004335	Clamp
4	318035000 326136088	Tank & Linkage Carb (See Figure 22) Tank & Linkage Carb Top Cond (See Figure 22)
5	3159	Switch, Press Water 8-30 PSI
6	2833	Pump & Motor Assembly 60HZ (See Figure 23)
7	318976000	Bolt, MA 1/4-20 HXSL 16
8	311855000	Nut, J-Nut 1/4-20
9	317974000	Deflector Water Relief Valve
10	309379000	Tube Prod 0.250 ID X 22"

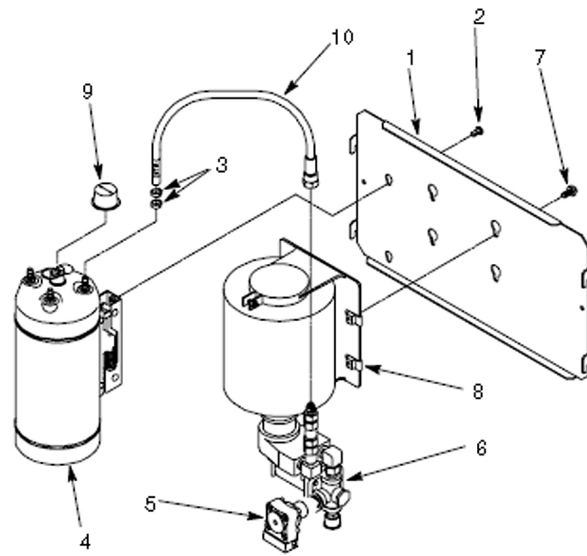


Figure 19. Carbonator Components

TUBING ASSEMBLY

Table 20. Tubing Assembly

Item No.	Part No.	Name
	176272396	Tube Conn 0.375 ID X 96"
1	174292000	Tubing Flex 0.375 ID Sold by the foot
2	176204000	Ferrule 0.640 ID
3	176205000	Fitting Nipple 0.375 ID Tube
4	311242000	Nut, Swivel 5/8-18

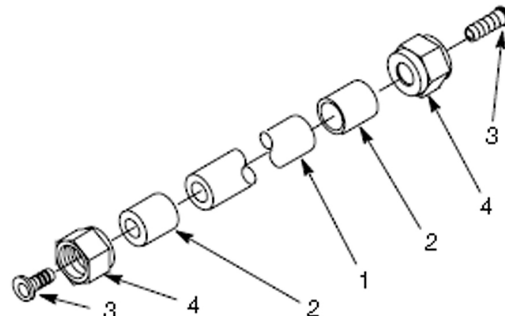


Figure 20. Tubing Assembly

DRIP TRAY DRAIN KIT

Table 21. Drip Tray Drain Kit

Item No.	Part No.	Name
	326002000	Kit Drain Drip Tray
1	170423000	Nut, Hex 5/8-32
2	151281000	Washer, SR 0.640 ID

Table 21. Drip Tray Drain Kit

Item No.	Part No.	Name
3	140133000	Clamp, Hose
4	170413000	Fitting, Drain
5	174150001	Tubing Vinyl 0.625 ID Sold by the foot
6	3129	Fitting Set

CARBONATOR TANK AND LINKAGE ASSEMBLY

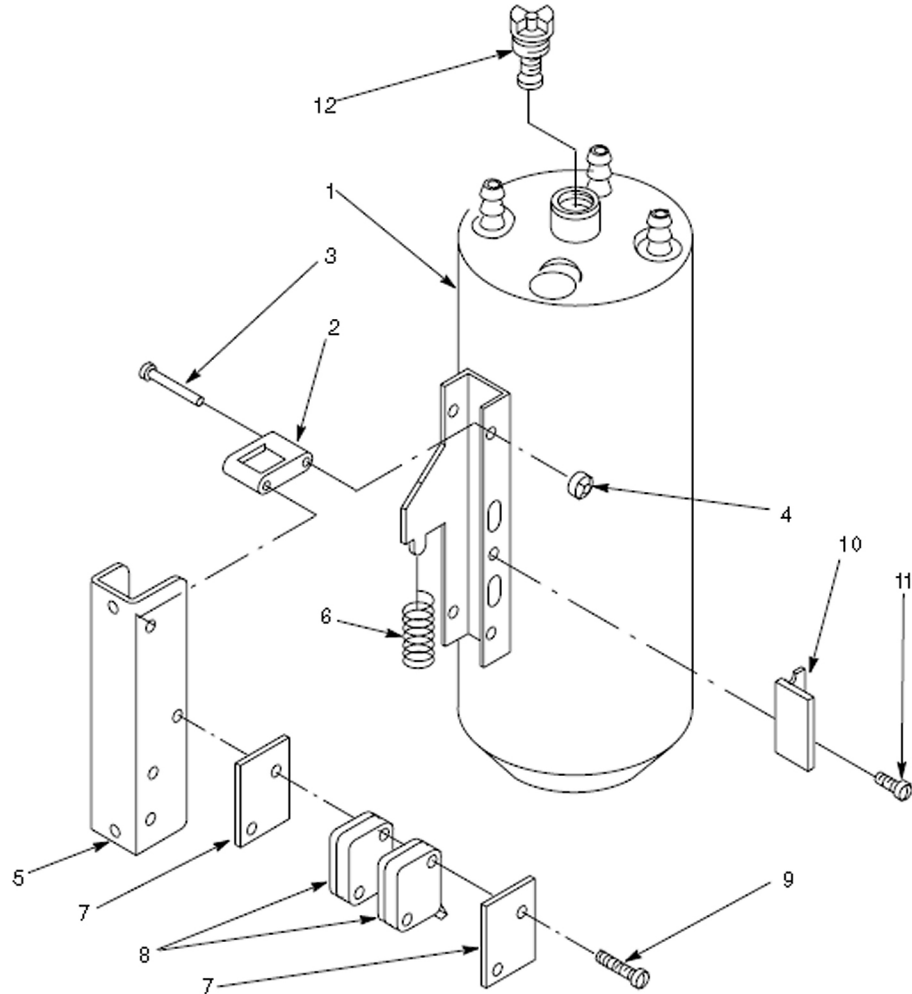


Figure 21. Carbonator Tank and Linkage Assembly

Table 22. Carbonator Tank and Linkage Assembly

Item No.	Part No.	Name
	318035000 326136088	Tank & Linkage Carb Tank & Linkage Carb Top Cond
1	318034000 326135000	Tank Carb Tank Carb Top Cond
2	317746000	Link Balance Carb
3	317772000	Pin Link
4	318036000	Nut, Push 0.125 Stud
5	317747000	Bracket, Tank

Table 22. Carbonator Tank and Linkage Assembly

Item No.	Part No.	Name
6	317752000	Spring, Carbonator Balanced
7	318037000	Installation, Switch Micro
8	317771000	Switch, Level Control
9	315961000	Screw, MA 4-40 PAPH 36
10	318123000	Bracket, Switch Actuator
11	342663000	Screw, TC 8-32 PAPH 12
12	318362000	Stem Assembly R-Val

PUMP AND MOTOR ASSEMBLY

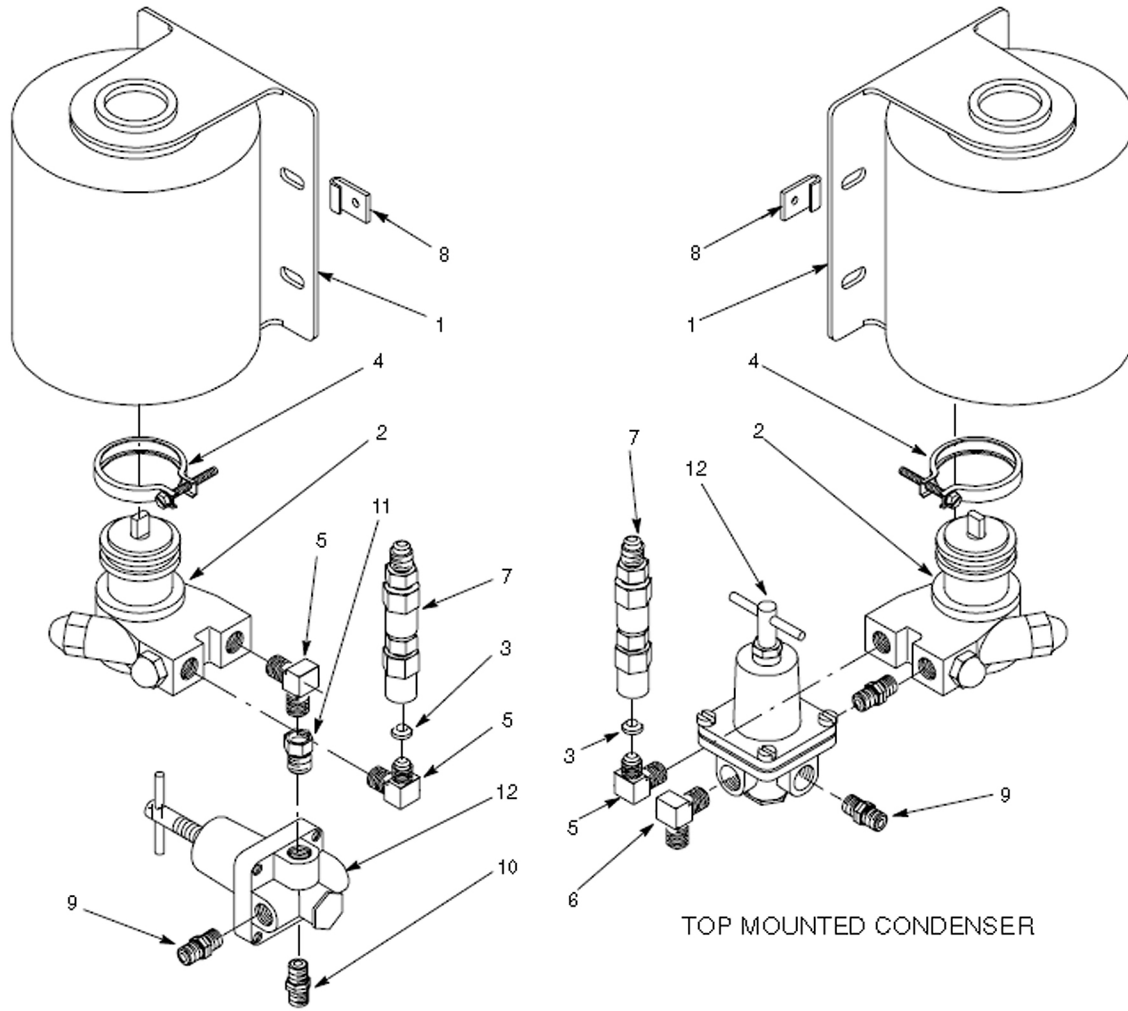


Figure 22. Pump and Motor Assembly

Table 23. Pump and Motor Assembly

Item No.	Part No.	Name
	2833	Pump and Motor Assembly
1	320626000	Motor, Pump 1/4 2305/6 1725 RPM
2	312996000	Pump, Water 100 GPH
3	1178025100	Gaskets, 1/4 Male Flare
4	187483000	Clamp, Pump and Motor
5	1151	Fitting L STD 3/8 NPT
6	311738000	Fitting L STD 1/4MPT X 3/8MF Top Cond

Table 23. Pump and Motor Assembly

Item No.	Part No.	Name
7	311765001	Valve, Check Duel (See Figure 13)
8	311855000 560003353	Nut, J-Nut 1/4-20 ST Nut, J-Nut 1/4-20 PAL Top Cond
9	183047000	Fitting, Straight 1/4 MPT X (2) Hevy
10	312062000	Fitting, Straight 1/4 MPT X3/8 MF
11	1187484000	Fitting, Straight 1/4 MPT X3/8 MPT
12	0784	Reg Press Water 300 PSI

BEATER MOTOR DRIVE SHAFT/SEAL ASSEMBLY

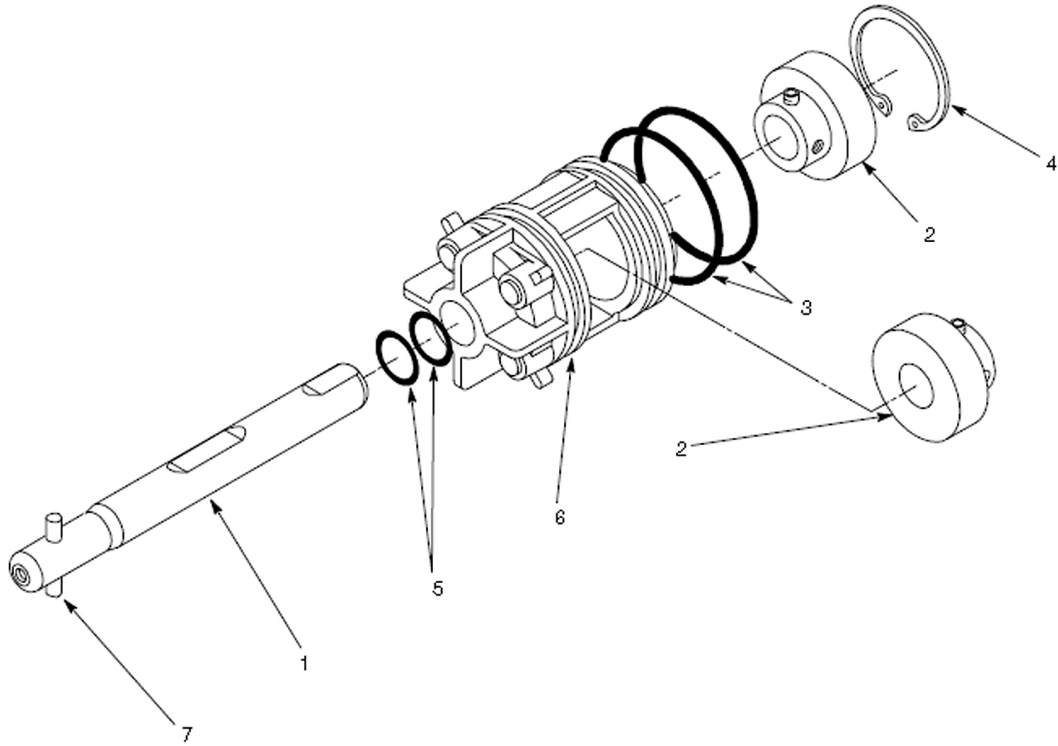


Figure 23. Beater Motor Drive Shaft/Seal Assembly

Table 24. Beater Motor Drive Shaft/Seal Assembly

Item No.	Part No.	Name
	3193	Shaft Assembly Rear Seal
1	3156	Shaft, Drive
2	2463	Bearing, Shaft
3	2360	O-Ring 1.86 ID

Table 24. Beater Motor Drive Shaft/Seal Assembly

Item No.	Part No.	Name
4	2583	Retainer Ring
5	2731	O-Ring 0.671 ID
6	2591	Housing
7	3232	Pin, Drive



Cornelius Inc.
www.cornelius.com