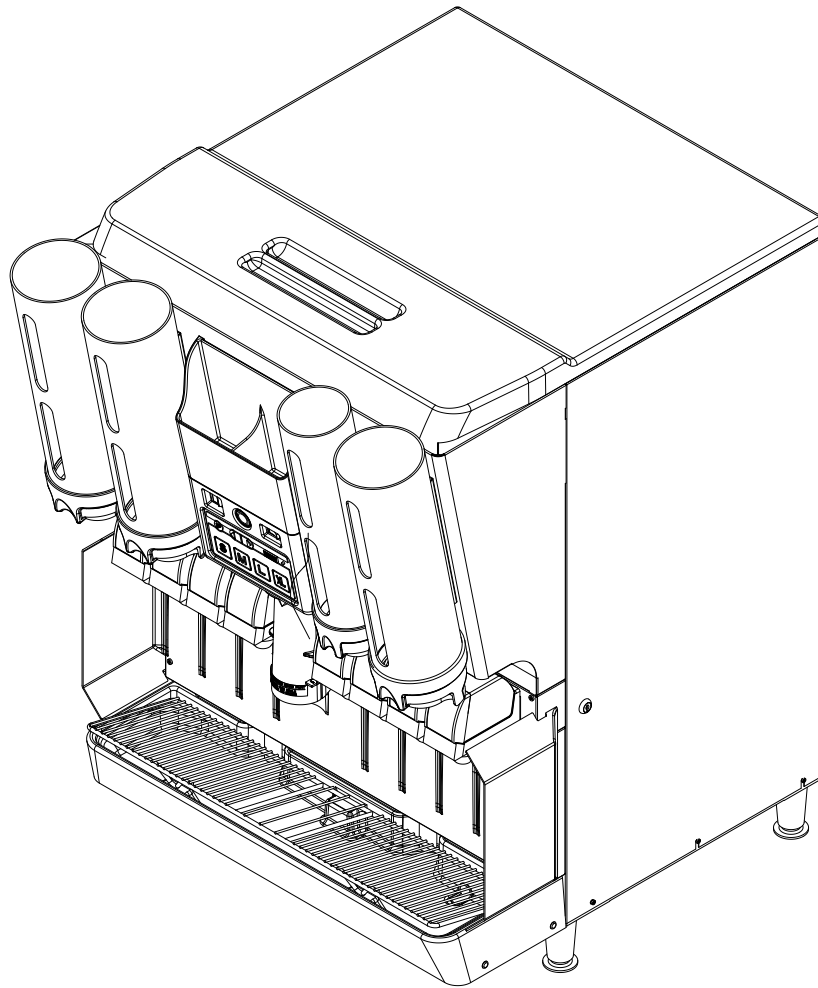


---

# IDC 255 PROGATE DRIVE THRU UNIT

## Installation Manual



**Release Date: June 27, 2006**

**Publication Number: 621057419INS**

**Revision Date: September 22, 2022**

**Revision: H**

Visit the Cornelius web site at [www.cornelius.com](http://www.cornelius.com) for all your Literature needs.

---

## Notice

The products, technical information, and instructions contained in this manual are subject to change without notice. These instructions are not intended to cover all details or variations of the equipment, nor to provide for every possible contingency in the installation, operation or maintenance of this equipment. This manual assumes that the person(s) working on the equipment have been trained and are skilled in working with electrical, plumbing, pneumatic, and mechanical equipment. It is assumed that appropriate safety precautions are taken and that all local safety and construction requirements are being met, in addition to the information contained in this manual.

This Product is warranted only as provided in Cornelius' Commercial Warranty applicable to this Product and is subject to all of the restrictions and limitations contained in the Commercial Warranty.

Cornelius will not be responsible for any repair, replacement or other service required by or loss or damage resulting from any of the following occurrences, including but not limited to, (1) other than normal and proper use and normal service conditions with respect to the Product, (2) improper voltage, (3) inadequate wiring, (4) abuse, (5) accident, (6) alteration, (7) misuse, (8) neglect, (9) unauthorized repair or the failure to utilize suitably qualified and trained persons to perform service and/or repair of the Product, (10) improper cleaning, (11) failure to follow installation, operating, cleaning or maintenance instructions, (12) use of "non-authorized" parts (i.e., parts that are not 100% compatible with the Product) which use voids the entire warranty, (13) Product parts in contact with water or the product dispensed which are adversely impacted by changes in liquid scale or chemical composition.

## Correct Disposal of this Product

This marking indicates that this product should not be disposed with other household wastes throughout the EU. To prevent possible harm to the environment or human health from uncontrolled waste disposal, recycle it responsibly to promote the sustainable reuse of material resources. To return your used device, please use the return and collection systems or contact the retailer where the product was purchased. They can take this product for environmental safe recycling.

## Trademarks and Copyrights

This document contains proprietary information and it may not be reproduced in any way without permission from Marmon FoodService Technologies Inc. This document contains the original instructions for the unit described.

MARMON FOODSERVICE TECHNOLOGIES INC  
355 Kehoe Blvd  
Carol Stream, IL  
Tel: + 1 800-238-3600

Printed in U.S.

## Contact Information

To inquire about current revisions of any documentation or assistance with any Cornelius product, contact:

[www.marmonfoodservice.com](http://www.marmonfoodservice.com)  
[www.cornelius.com](http://www.cornelius.com)  
800-238-3600



# TABLE OF CONTENTS

**Safety Instructions** ..... **1**

    Read and Follow ALL Safety Instructions ..... 1

        Safety Overview ..... 1

        Recognition ..... 1

    Different Types of Alerts ..... 1

    Safety Tips ..... 1

    Qualified Service Personnel ..... 1

    Safety Precautions ..... 2

    Shipping And Storage ..... 2

    CO2 (Carbon Dioxide) Warning ..... 2

    Mounting in or on a Counter ..... 2

**Unit Specification** ..... **3**

    Description ..... 3

    Valve Configurations ..... 3

    Specification ..... 3

        Progate 2 Features ..... 4

            Progate Portion Ice Control Features ..... 4

            Lid Dispenser ..... 4

            Straw Holder ..... 4

    Lid Holder Compatibility ..... 5

        Small Lid Template ..... 5

        Medium Lid Template ..... 6

        Large Lid Template ..... 7

**Installation** ..... **8**

    Mounting and Placement ..... 8

    Adjust Carbonator CO2 Regulator and Turn Water Inlet Supply Line ON ..... 10

    CO2 Installation ..... 10

    Power Installation ..... 11

    Water Installation ..... 11

        To Access Cold Plate Water Inlets ..... 11

    Adapter Brackets Installation on to Front Panel - Straight (90°) Version ..... 12

    Cup Dispenser/Lid Holder/Straw Holder/VESA Mount Combinations ..... 14

**Operation Instructions** ..... **15**

    Lid Dispenser Operation ..... 15

    Unit Operation ..... 15

    Loading of Lid Dispenser ..... 16

        Plastic Wrapped lids ..... 16

        Individual lids ..... 17

    Lid Dispenser Operation ..... 18

    Progate 2 Control Box Operation ..... 18



Portion Control Box Functions . . . . . 18

Programming (Changing) the Ice Portion . . . . . 19

Agitation Time . . . . . 20

Programming (Changing) the Agitation Time. . . . . 21

Ice Portion Bar . . . . . 22

**Diagrams. . . . . 23**

UFB-1 . . . . . 23

    7 UFB-1 Valves and 1 Prism Valve . . . . . 23

    5 UFB-1 Valves and 3 Prism Valves . . . . . 24

    6 UFB-1 Valves and 2 Prism Valves . . . . . 25

    8 Intelli Valves or 8 UFB-1 or 8 SFV-1 Valves. . . . . 26

E-Board Off Cycle Agitation Adjustments . . . . . 27

Electrical Schematic. . . . . 28

Main Electrical Box Assembly . . . . . 29

Interconnect Schematic . . . . . 30

**Troubleshooting. . . . . 31**

Power Light Off . . . . . 31

No Ice Dispense in Manual Mode . . . . . 32

No Ice Dispense in Automatic Mode . . . . . 33

Beverage Not Dispensing . . . . . 34

Flat Drinks . . . . . 35

No Carbonated Water . . . . . 36



# UNIT SPECIFICATION

## DESCRIPTION

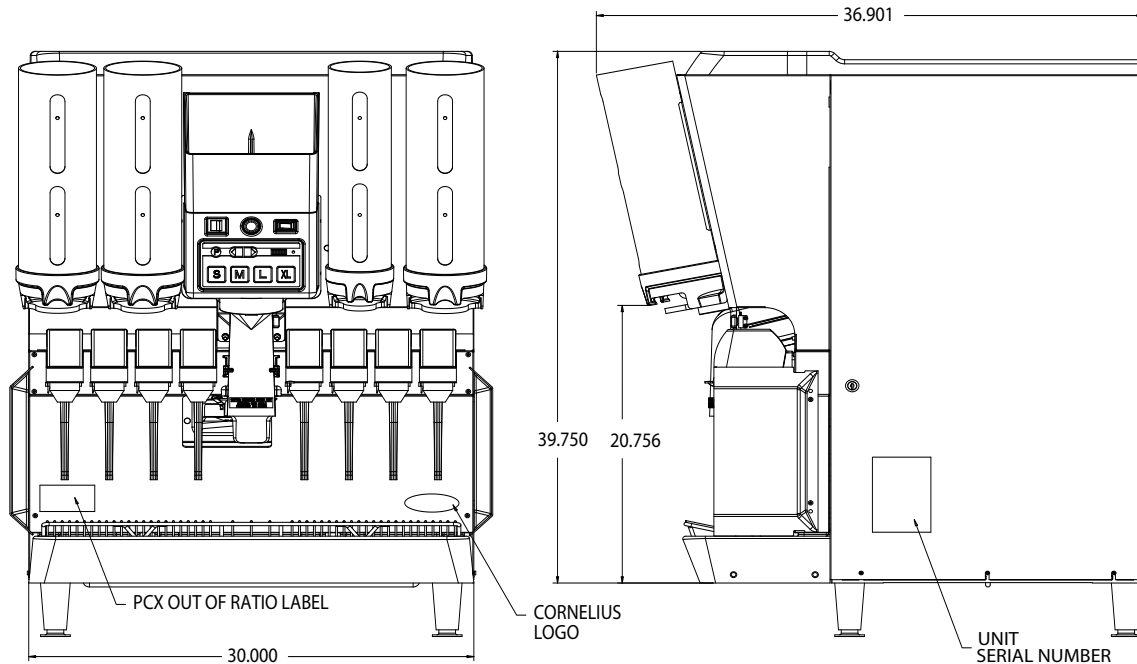
The Ice Drink Cornelius (IDC) series of dispensers solves your ice and beverage service needs in a sanitary, space saving, economical way. Designed to be manually filled with ice from any remote ice-making source, these dispensers will dispense cubes (up to 1-1/4 inch in size), cubelets, and compressed (not flaked). In addition, the units include beverage faucets, a cold plate, an internal carbonator tank and an external pump for the carbonator, and are designed to be supplied direct from syrup tanks with no additional cooling required.

## VALVE CONFIGURATIONS

- IDC 255 Progate Drive Thru Unit with 7 UFB-1 Valves and 1 Prism Valve
- IDC 255 Progate Drive Thru Unit with 6 UFB-1 Valves and 2 Prism Valve
- IDC 255 Progate Drive Thru Unit with 5 UFB-1 Valves and 3 Prism Valves
- IDC 255 Progate Drive Thru Unit with 8 Intelli Valves
- IDC 255 Progate Drive Thru Unit with 8 UFB-1 Valves
- IDC 255 Progate Drive Thru Unit with 8 SFV-1 Valves

## SPECIFICATION

Model Descriptions	IDC 255 B=Beverage C=Coldplate H=Internal Carb P=Progate Z=No Drip Tray
Unit Weight	368 Pounds
Ice Storage	255 Pounds
Maximum Number of Faucets	10
Built in Cold Plate	Yes
Electrical	120/1/60 9.3 Amps of Total Unit Draw OR 220-240/1/50 5.5 Amps of Total Unit Draw
Dimensions	Width 29.90 inch (.76 m) Height 39.75 inch (1.0 m) Depth 36.90 inch (.94 m)
CO <sub>2</sub> Operating Pressure	75-psig (max)
Water	100 psi (7 bar) maximum static pressure. 40 psi (2.8 bar) minimum dynamic pressure. 3/8" minimum water line recommended.



**Figure 1.**

**Electrical Connections:** 6 ft long power cord with 3-prong plug attached to dispenser.

**Power Requirements:** 9.3 amps at 120 volts or 5.5 amps at 220 - 240 volts (International Units) dedicated power supply.

**Water Supply Requirements:** 100 psi (7 bar) maximum static pressure 40 psi (28 bar) minimum dynamic pressure. 3/8" minimum water line recommended.

**CO<sub>2</sub> Requirements:** 100 psi max to unit regulated to 35 psi (2.4 bar) to Progate 2 ice gate system, 75 psi (5.2 bar) carbonator.

## Progate 2 Features

### Progate Portion Ice Control Features

- 4 Programmable ice dispense sizes
- Automatic/Manual Ice Dispense Modes
- Unit Power On/Off Switch
- Programmable Agitation Time

### Lid Dispenser

- 4 lid dispenser locations on the unit
- 3 Separate removable lid dispensers for small/medium, large, and extra large lids

### Straw Holder

- Holds up to 140 regular sleeved straws

## LID HOLDER COMPATIBILITY

The following template is a guide to validate the compatibility of the cup lids that are used with the Cornelius Lid Dispensers supplied with the IDC255 Progate Ice Drink Dispenser. The lid dispensers accommodate small lids 3.75" in Dia.  $\pm$  .032" in the large lid dispensers. The templates below are to scale to check the lids or compatibility.

### Small Lid Template

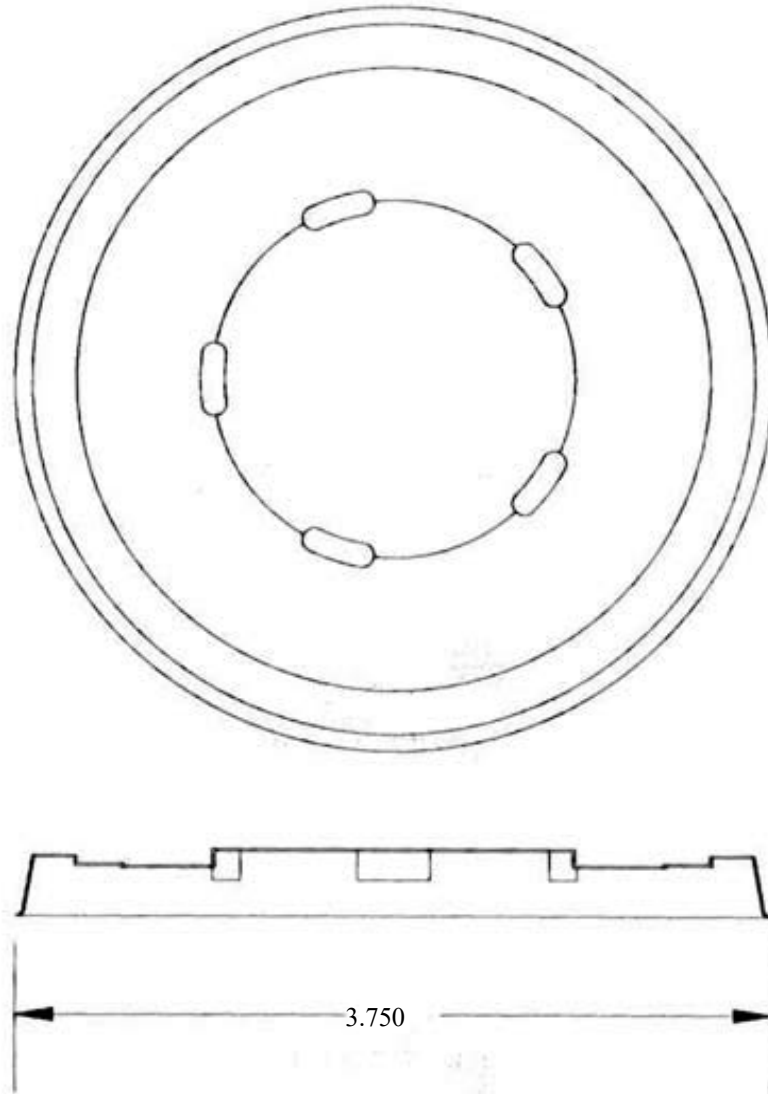


Figure 2.

## Medium Lid Template

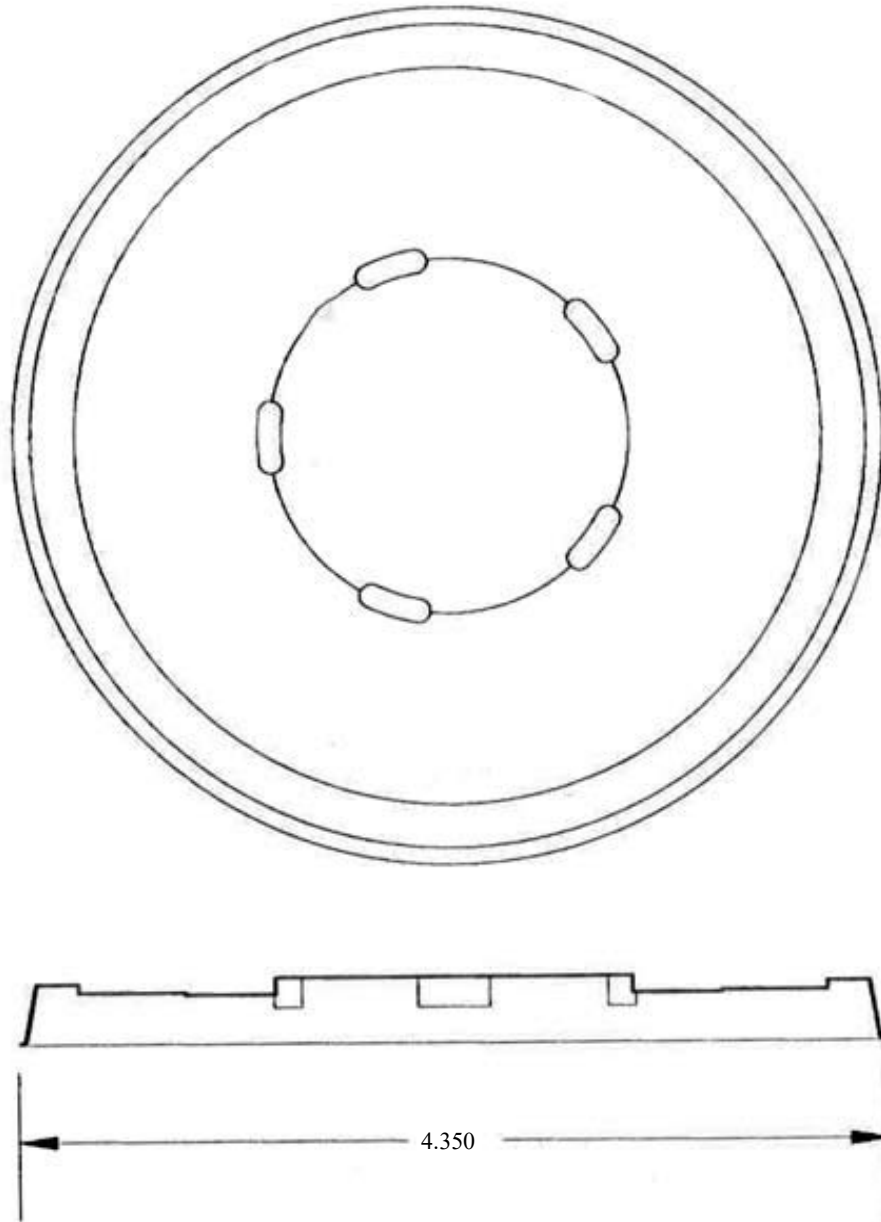


Figure 3.

## Large Lid Template

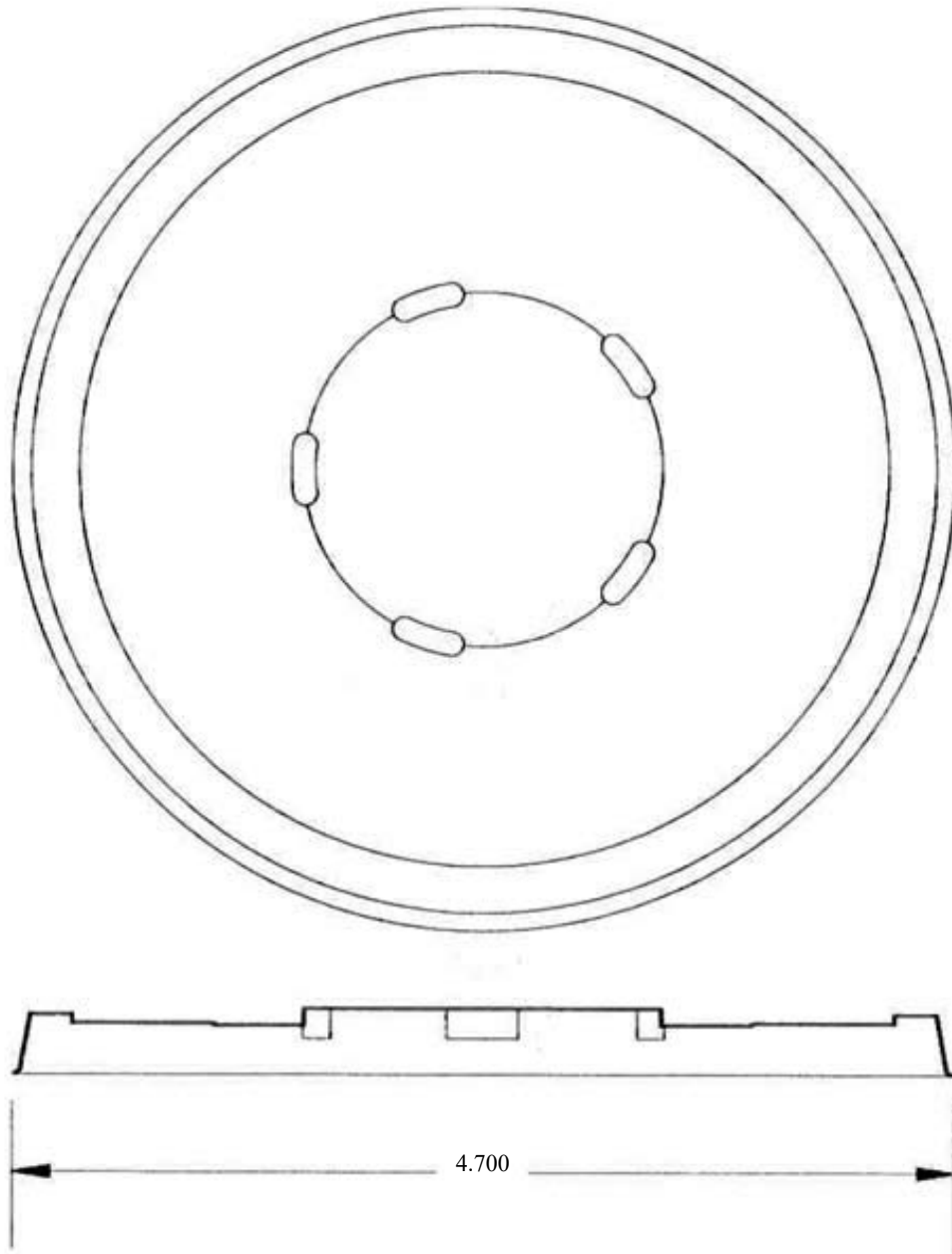


Figure 4.

# INSTALLATION

## MOUNTING AND PLACEMENT

### **⚠ WARNING:**

It is the responsibility of the installer to ensure that the water supply to the dispensing equipment is provided with protection back flow by an air gap as defined in ANSI A 112.1.2-1979; or an approved vacuum breaker or other such method as proved effective by test and must comply with all federal, state and local codes.

**Failure to comply could result in serious injury, death or damage to the equipment.**

Water pipe connections and fixtures directly connected to a potable water supply shall be sized, installed and maintained according to Federal, State and Local laws.

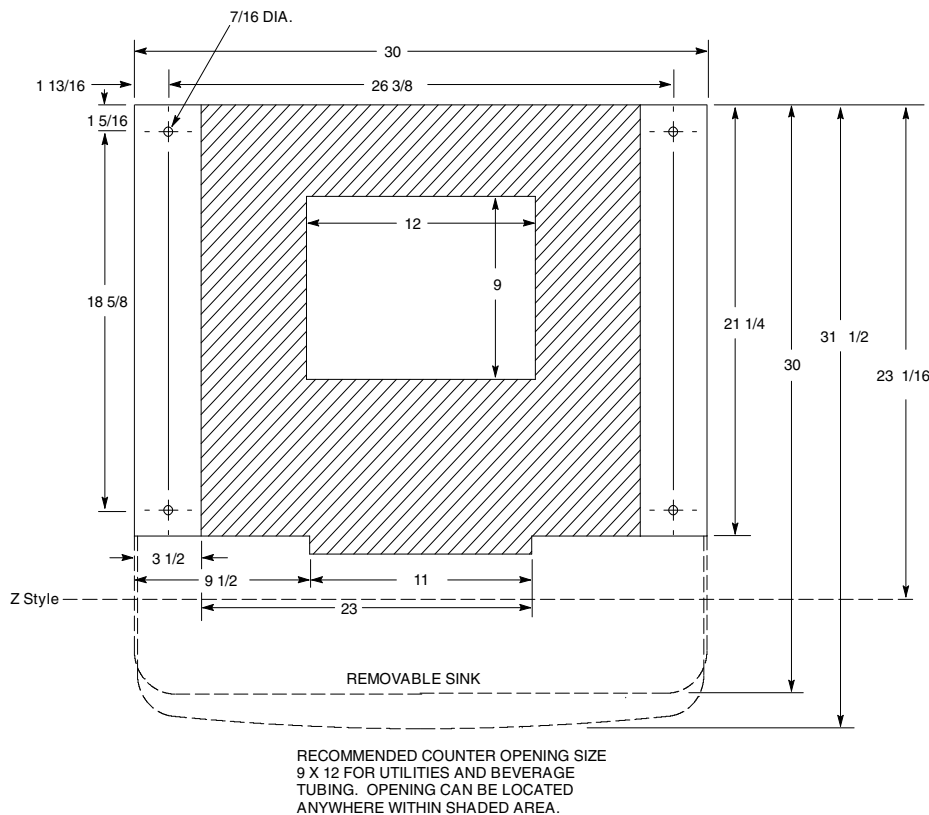
1. Locate the dispenser indoors on a level counter top.

#### A. LEG OPTION

Unpack the four (4) legs and install them into the threaded holes provided at the bottom of the unit. The installer must provide flexibility in the product and utility supply to permit shifting the position of the dispenser sufficiently to clean the area beneath it.

### COUNTER MOUNTING

The ice drink dispenser must be sealed to the counter. The template drawing indicates where openings can be cut in the counter. Locate the desired position for the dispenser, then mark the outline dimensions on the counter using the template drawings. Cut openings in counter.



**Figure 5.**

Apply a continuous bead of *NSF International* (NSF) silastic sealant (Dow 732 or equal) approximately 1/4-inch inside of the unit outline dimensions and around all openings. Then, position the unit on the counter within the outline dimensions. All excess sealant must be wiped away immediately.

- The beverage tubes, drain tube and power cord are routed through the large opening in the bottom of the unit. See the MOUNTING TEMPLATE for locating the required clearance opening in the counter for these utility lines.

**DRIP TRAY DRAIN ASSEMBLY:** Route the drain tube to an open drain with the end of the tube above the “flood” level of the drain. Use the tubing, fittings, clamps, and insulation provided with the Dispenser to assemble the drain. The completed drain line *must* pitch continuously downward and contain no “traps” or improper drainage will result.

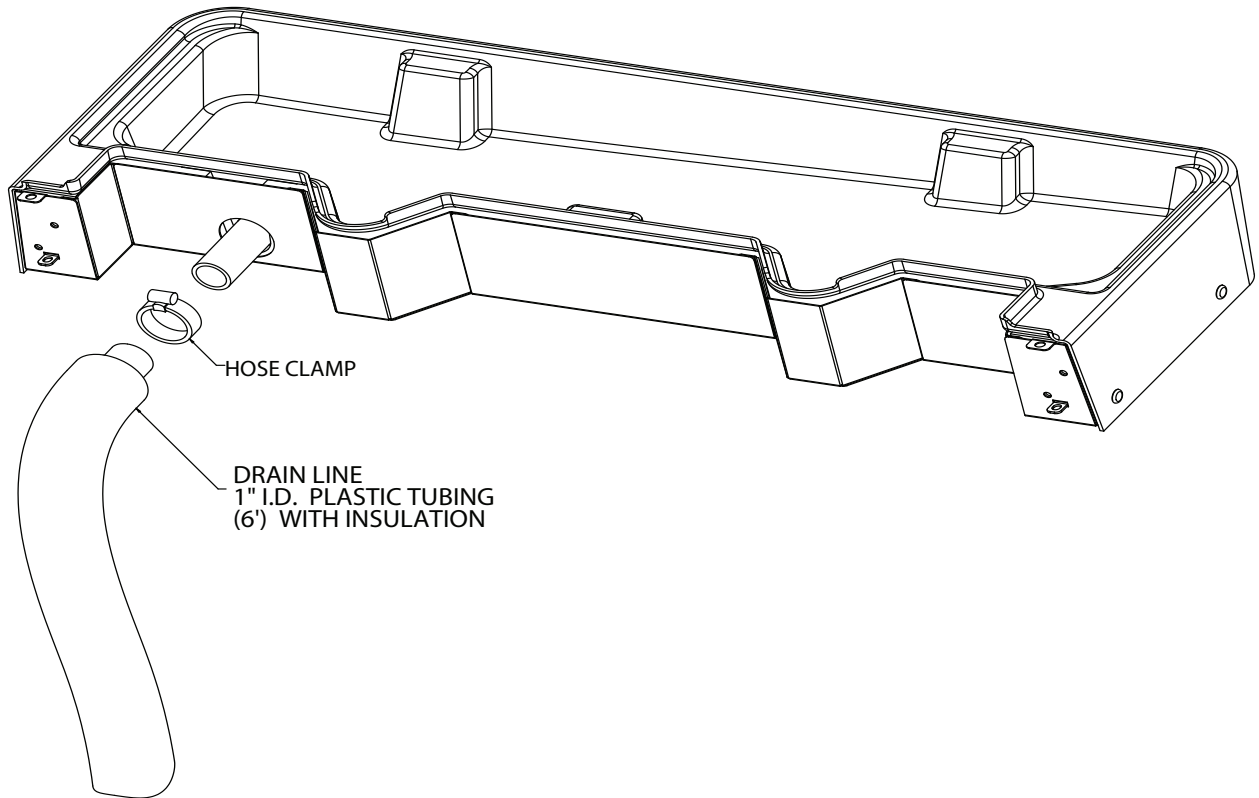


Figure 6.

**NOTE:** Cornelius Inc. recommends that a water shutoff valve and water filter be installed in the plain water inlet supply line. A Cornelius Water Filter (P/N 313860000) and QUICK DISCONNECT SET (P/N 313867000) are recommended.

**⚠ CAUTION:**

Check the minimum flow rate and the maximum pressure of the plain water inlet supply line. **MINIMUM FLOW RATE MUST BE AT LEAST 125 GALLONS PER HOUR.** If flow rate is less than 125 gallons per hour, starving of the carbonator water pump will occur. Starving will overheat the carbonator’s water pump, causing the safety thermostat on the pump outlet to stop the water pump motor. Overheating could occur if the plain water supply line flow rate drops below 125 gallons per hour. **INCOMING PLAIN WATER INLET SUPPLY LINE WATER TO PUMP PRESSURE MUST REMAIN A MINIMUM OF 10 psi BELOW THE CARBONATED CO<sub>2</sub> OPERATING PRESSURE.** (Example: The Carbonator CO<sub>2</sub> operating pressure is 75 psi and the maximum water pressure can be no more than 65 psi, etc.). Static water pressure higher than the static CO<sub>2</sub> pressure can cause carbonator flooding, malfunction, and leakage through the carbonator relief valve. If water is exceeding maximum pressure specifications, a Water Pressure Regulator Kit must be installed in the plain water inlet supply line.

- Cut power to the carbonator by turning off its power switch, the switch is located on the junction box of the pump and motor assembly. Locate the carbonator pump assembly and connect to power cord from the Ice/Drink Unit to the pump. The cord is connected to the unit’s electrical box and has an electrical connector on the end that plugs into a receptacle in the junction box at the carbonator pump assembly. Connect inlet water to pump and pump outlet to Ice/Drink Unit using 3/8-inch food-grade tubing.
- Connect the beverage system product tubes as indicated in applicable Flow Diagram in this manual or on the back of the splash panel. This work should be done by a qualified service person.

**NOTE: See applicable Flow Diagram or Decal on the lower front of the unit for the location of syrup and water connections.**

5. Clean the hopper interior.
6. Connect the unit power cord to a 120 volt, 60 cycle, 3-wire grounded receptacle. For 220-240 Volt International Units, a 3-wire power cord is provided. An adapter plug for the particular country must be provided by the Installer.

## ADJUST CARBONATOR CO<sub>2</sub> REGULATOR AND TURN WATER INLET SUPPLY LINE ON

1. Open (counterclockwise) CO<sub>2</sub> cylinder valve slightly to allow lines to slowly fill with gas, then open the valve fully to back-seat the valve. (Back-seating the valve prevents leakage around the valve shaft).
2. The carbonator CO<sub>2</sub> regulator is fixed at a nominal 75 psi.
3. Open one of the post-mix dispensing valves to exhaust trapped air inside the carbonator tank.
4. Open the water inlet supply line shutoff valve.

## CO<sub>2</sub> INSTALLATION

### WARNING:

The machine is designed to work only with CO<sub>2</sub>. Store air supplied from a compressed air system could contain moisture and oils that could damage and/or cause the Ice Gate to loose performance or malfunction.

1. Use 1/4" tubing capable of handling a minimum of 120 psi.
2. Guide CO<sub>2</sub> lines from back of machine to front.
3. Locate the CO<sub>2</sub> line and connect to the barb fitting.
4. Use Oetiker clamps to secure all lines to barbed fittings.
5. Replace lower splash panel to the frame.

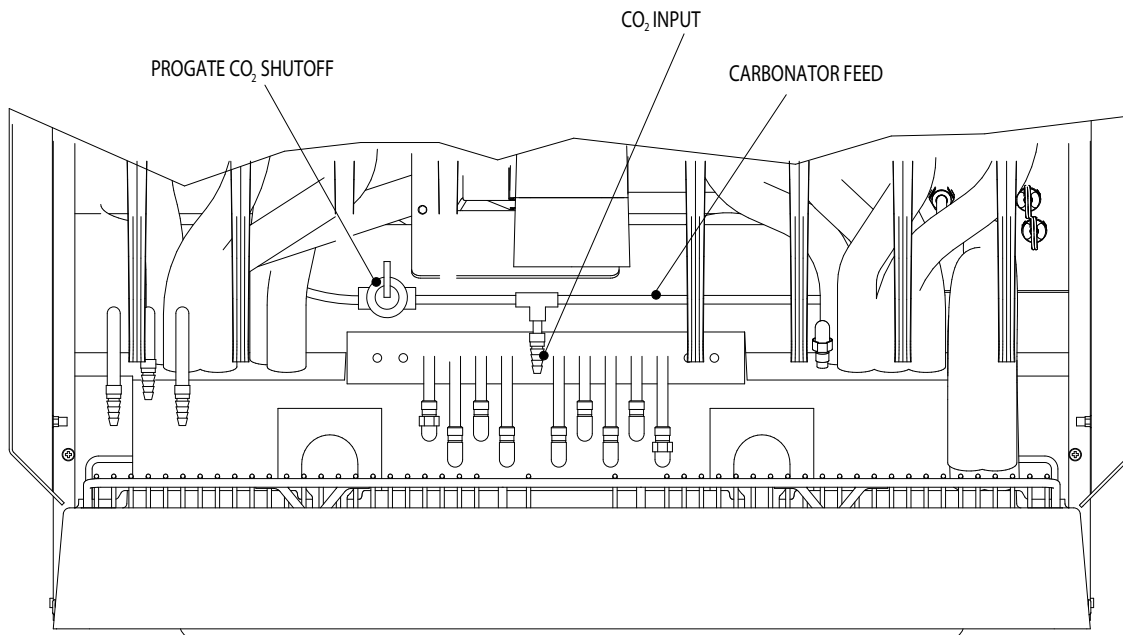


Figure 7.

## POWER INSTALLATION

The machine is equipped with a 3 Prong plug (hot, neutral, ground) and is plugged into any standard wall outlet capable of handling 9.3 amps at 120 volts or 5.5 amps at 220 - 240 volts (International Units). The Cord may be wrapped and stored under machine for shipment.

## WATER INSTALLATION

### To access cold plate water inlets

1. Remove screws holding attaching lower splash panel to frame and slide panel away from the machine.
2. Use Oetker clamps to secure lines to barbed fittings.



Figure 8.



Figure 9.

3. Use 3/8" tubing capable of handling a minimum of 120 psi. Approved for food applications.
4. Guide water lines from back of machine to left front and attach to cold plate lines W1 (carbonator water line) and W2 (plain water or mains water line).

**NOTE: W4 is the re-circulation line which is connected to a remote tower (A&W remote tower).**

5. Turn on pressure and check for leaks.



Figure 10.

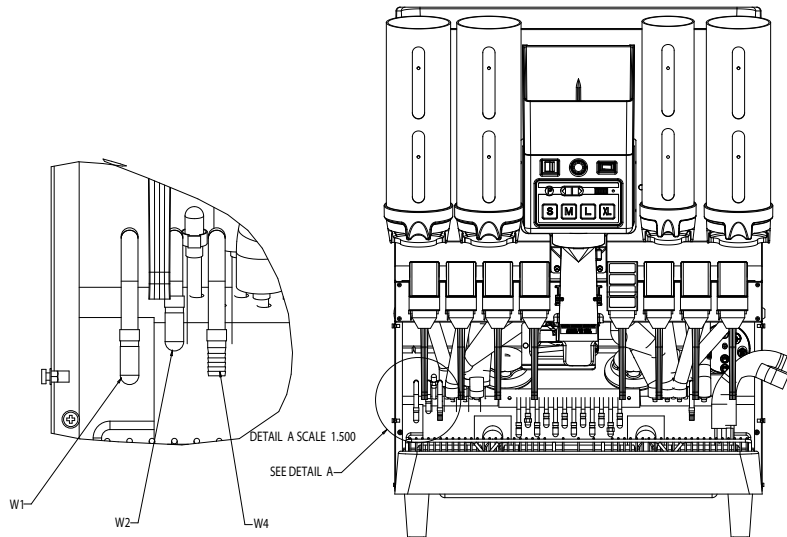


Figure 11. [Note: Shown without Total Flex 1 (TF 1)]

## ADAPTER BRACKETS INSTALLATION ON TO FRONT PANEL - STRAIGHT (90°) VERSION

**NOTE:** In order to install right adapter brackets, Refer Figure 17. in page no.14 for all possible configurations of Lid holder, Cup dispenser, Straw holder & VESA mount.

- Figure 12 & Figure 13. shows the location of adapter brackets, suitable for Option-1 & Option-4. Assemble Cup/Lid dispenser adapter bracket part no.620071540 at the two left and two right positions. If Lid holders are to be installed in the center area, use Lid holder bracket part no.620070916. This Lid holder bracket should be held and slide into the two shoulder screws such that it stays there. Rotate the thumb screw clockwise to tighten it.

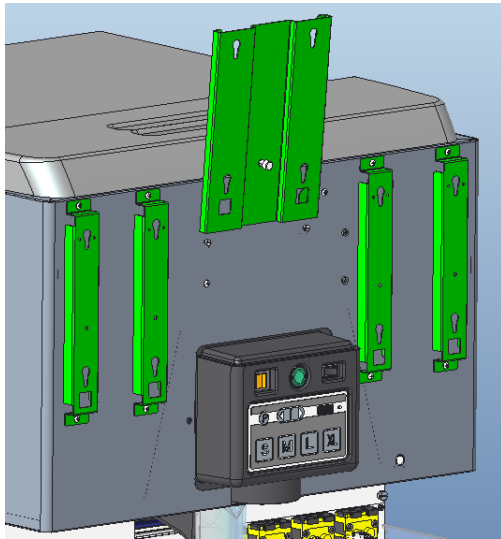


Figure 12.

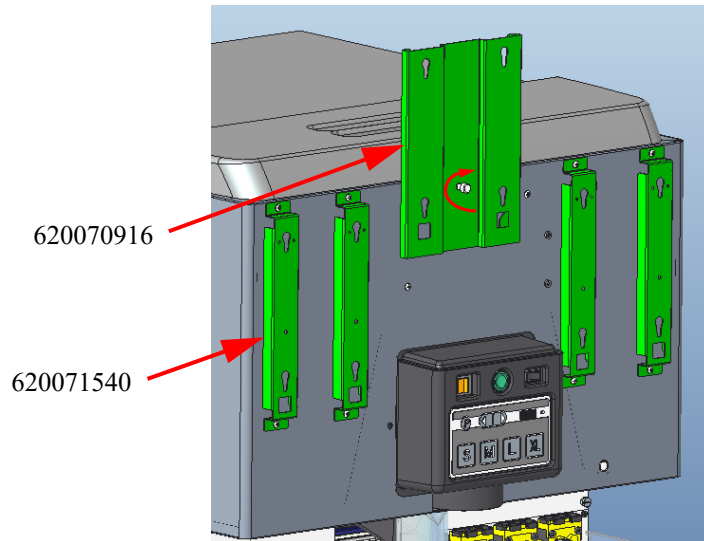


Figure 13.

- Figure 14. shows the location of adapter brackets, suitable for Option-3 & Option-6. Assemble Cup/Lid dispenser adapter bracket part no.620071540 at the two left and two right positions. If Straw holder is to be installed in the center area, use Straw holder adapter bracket part no.620071541 in the center area.

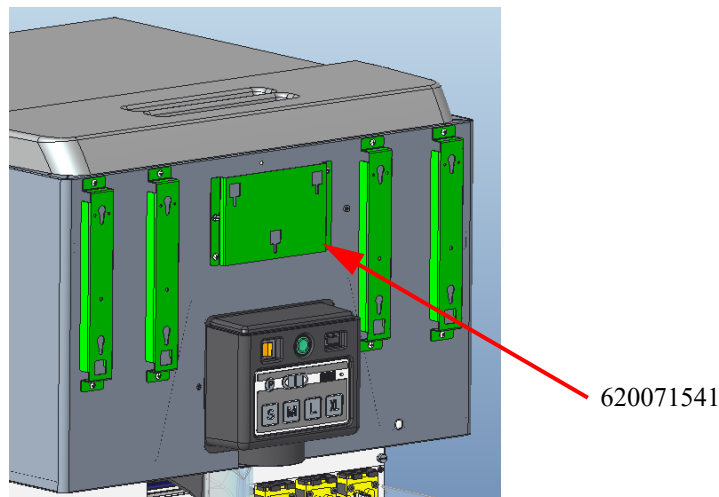
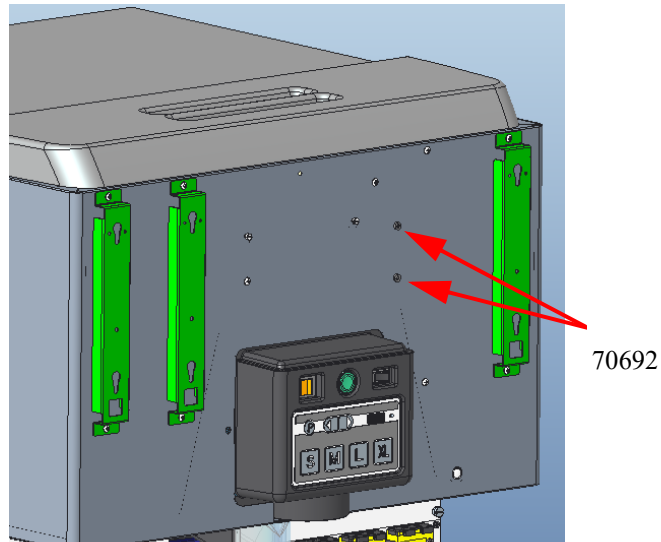


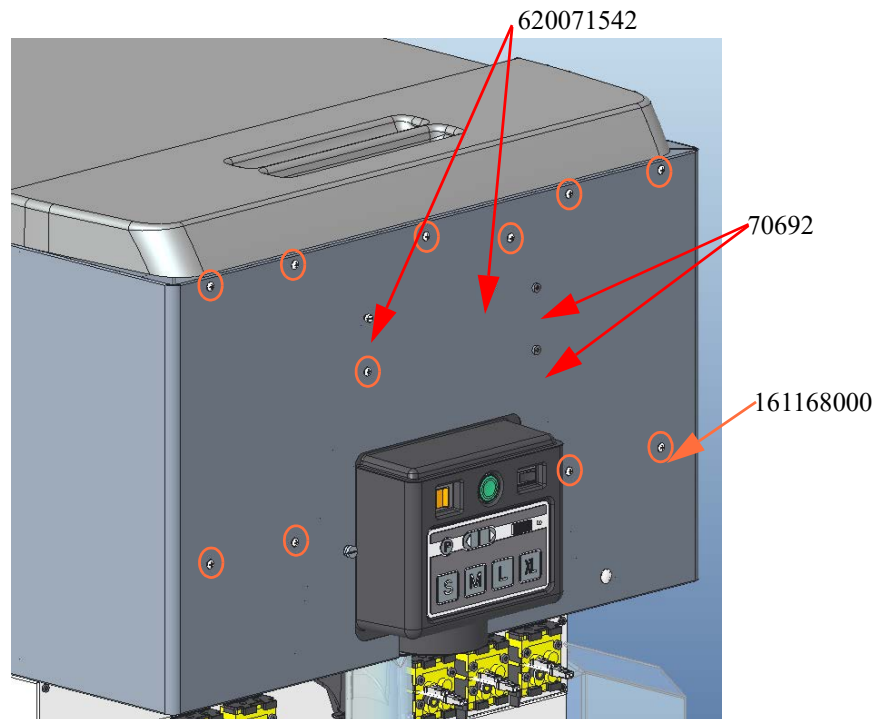
Figure 14.

- Figure 15. shows the location of adapter brackets, suitable for Option-2, Option-5 & Option-7. Assemble Cup/Lid dispenser adapter bracket part no.620071540 at the two left and one extreme right positions. If VESA mount hinge arm is to be installed in the center area, unscrew two screws part no.70692 and put them back with VESA mount.



**Figure 15.**

- If any of the adapter brackets are unused, ensure respective screws holes are covered with suitable screws as shown in Figure 16.



**Figure 16.**

## CUP DISPENSER/LID HOLDER/STRAW HOLDER/VESA MOUNT COMBINATIONS

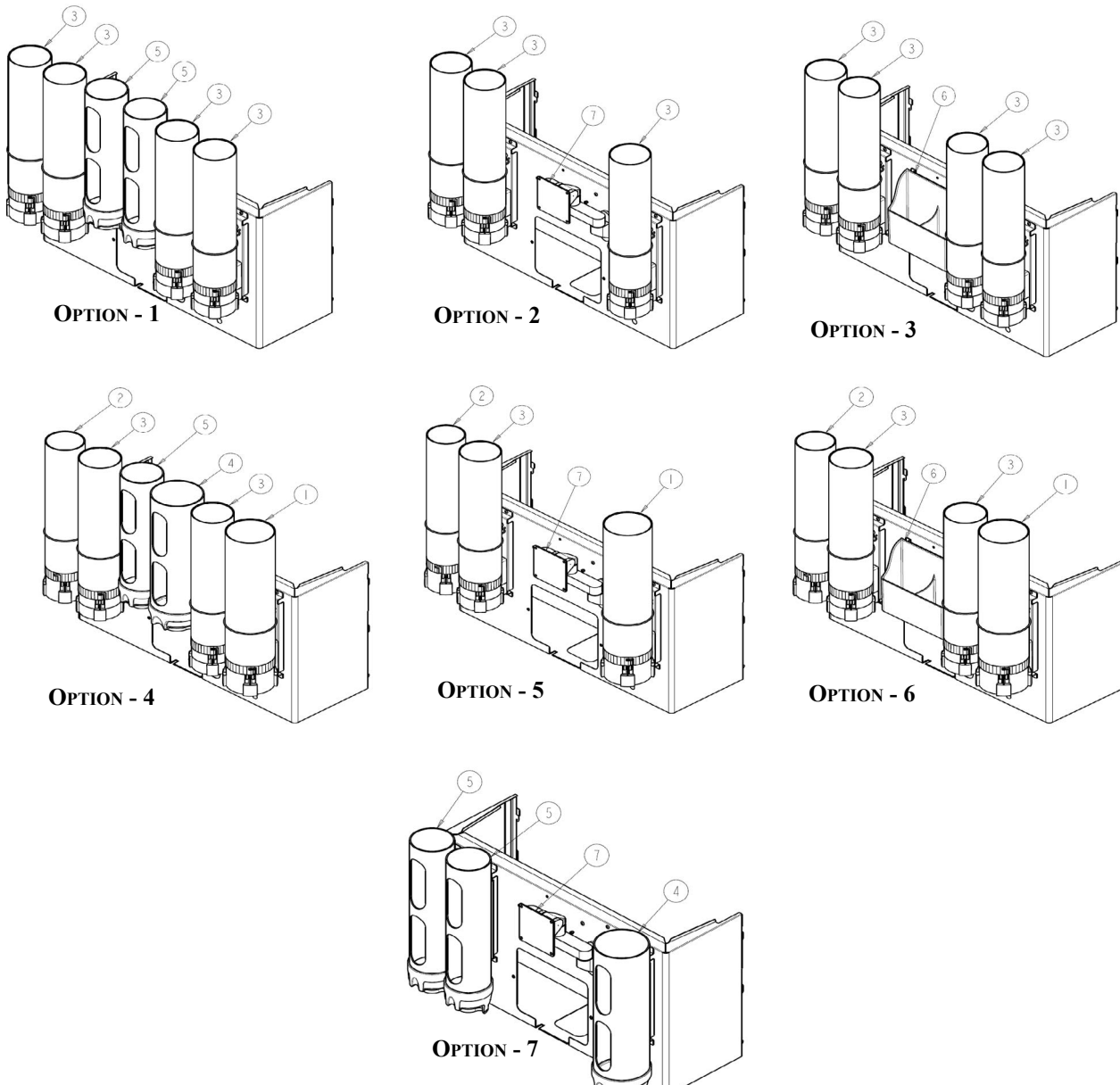


Figure 17.

Item No	Part No.	Name
1	629097441	KIT CUP DISPENSER LARGE [CUP TUBE DIA 4.62" (117.3 cm) MAX]
2	629097462	KIT CUP DISPENSER CHILD [CUP TUBE DIA 3.65" (92.7 cm) MAX]
3	629097463	KIT CUP DISPENSER SMALL/MEDIUM [CUP TUBE DIA 4" (101.6 cm) MAX]
4	620517067	LID HOLDER ASY LARGE IDC/PRO [TUBE DIA 5" (127 cm) MAX]
5	620517068	LID HOLDER ASY SMALL/MEDIUM IDC/NGF PRO [TUBE DIA 4" (101.6 cm) MAX]
6	620046723	HOLDER STRAW
7	9110-8.5-4	VESA MOUNT HINGE ARM

**NOTE:** There are only seven combinations of Cup Dispenser/Lid Holder/Straw Holder/VESA Mount as mentioned above and part no.9110-8.5-4 must be ordered separately through KES.

# OPERATION INSTRUCTIONS

## LID DISPENSER OPERATION

The lid holder assembly is designed to help with lid storage and dispensing in a crew serve environment. The holder comes in several sizes to accommodate different size lids.

- Small/Medium holder accommodates both small and medium size lids.
- Large holder accommodates only large lids.
- Extra large holder accommodates only extra large lids.

The lid dispensers are designed to be removed from the front of the merchandiser to make loading the dispensers simpler and allow for cleaning of the merchandiser and lid dispensers. The dispensers can be arranged in any configuration with room for four on the merchandiser face.

## UNIT OPERATION



### WARNING:

This unit must be grounded to avoid possible electrical shock to the operator. The unit power cord is equipped with a three pronged plug. If a three pronged (grounded) outlet is not available use an appropriate method to ground the unit.

### **Failure to comply could result in serious injury, death or damage to the equipment.**

**NOTE: Never operate the carbonator pump with the water inlet supply line shutoff valve closed. "Dry running" the water pump will burn out the pump. A pump damaged in this manner is not covered by warranty.**

1. Connect electrical power to the unit.
2. Locate the switch on the junction box of the carbonator pump, and turn it ON. The water pump will start and fill the carbonator tank with carbonated water. The water pump will stop when the carbonator tank is full.
3. Check for water and CO<sub>2</sub> leaks, and tighten any loose connections
4. Dispense several drinks until the carbonator pump cycles on. The refill time should be about 5-7 seconds.
5. If the carbonator pump appears to be short-cycling, meaning a refill time of 1-2 seconds, refer to the Troubleshooting section in the back of this manual.

## LOADING OF LID DISPENSER

**IMPORTANT:** To assure best operation lids should be replaced when the last lid is below the black plastic bottom.

### Plastic Wrapped lids

1. To remove, grab the lid dispenser lifting and pulling away from the merchandiser.



Figure 18.



Figure 19.

2. Get the fresh sleeve of lids and position so that lid bottom is up.
3. Remove lid dispenser top if present.
4. Tear open bag.



Figure 20.

5. Slide sleeve into tube, Pull the plastic from stack, replace top and place lid dispenser back in position on the merchandiser.



Figure 21.



Figure 22.

## Individual lids

1. Stack lids on clean flat surface with lid top facing down.



**Figure 23.**

2. Turn dispenser upside down and trap lids in the tube.



**Figure 24.**

3. Place your hand over the top to capture lids and turn it right side up.

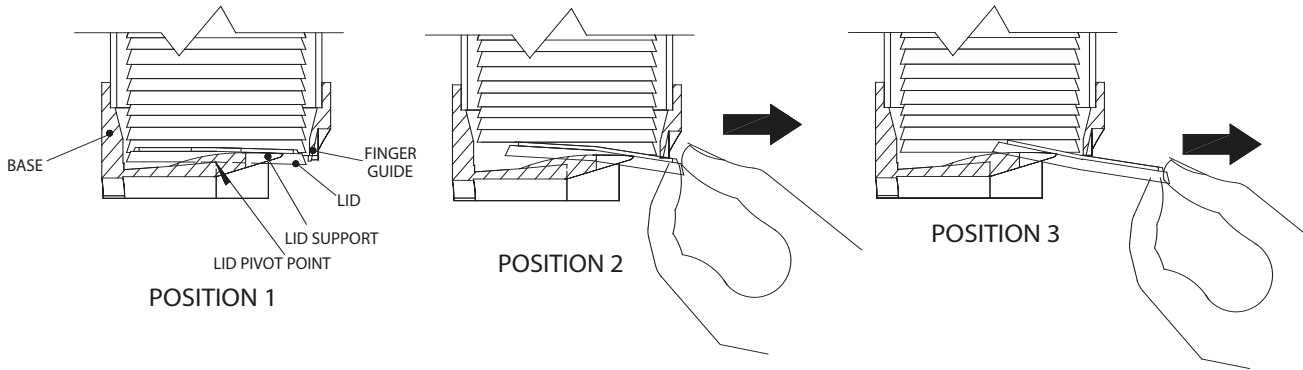


**Figure 25.**

## LID DISPENSER OPERATION

To dispense a lid:

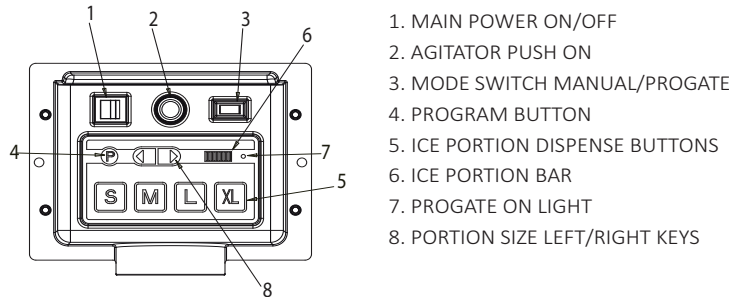
1. Place hand in finger slot
2. Grab edge of lid and pull.



## PROGATE 2 CONTROL BOX OPERATION

### Portion Control Box Functions

The portion control box on the PROGATE 2 has several functions including dispensing 4 programmed ice portions for 4 cup sizes, programming and a manual dispense mode.




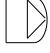


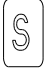


1. **Main Power ON/OFF:** Turns power to the entire machine off. Lights Orange when ON.
2. **Agitator Push ON:** Turns on agitator and opens ice gate allowing continuous dispense. This button will turn green in the manual mode and is off in PROGATE automatic. This button will also agitate in the automatic mode but not dispense ice.
3. **Mode Switch Manual/Progate:** Turns on agitator and opens ice gate allowing an unlimited ice portion.
4. **Program Button:** The programming button is used with cup size button enabling the user to enter the portion programming mode to adjust the ice portions. The programming button is used with the directional arrow buttons to adjust the agitation time.
5. **Ice Portion Dispense Buttons:** Used to dispense the appropriate ice portion. Can also be used in conjunction with the program button to program a portion size.
6. **Ice Size Program Bar:** The program bar is only active in the program mode as a visual aid in setting the portion size.

7. **Light:** On start up of the unit or during a mode change (Manual to Progate) this light turns orange to inform the user that the unit is going through a self diagnostic test. On completion of this test the light turns green to inform the user that the machine is ready to dispense. If the light remains solid on red and the unit is not dispensing any ice when an ice portion is pressed this should generate a service call. During ice dispense if there is insufficient ice in the ice chute then the light turns red instantaneously to inform the user that there is insufficient ice. Once the user releases the portioned button then the red light goes out.
8. **Portion Up/Down Buttons:** The program bar is only active in the program mode to change the ice dispense program size.

## Programming (Changing) the Ice Portion

To change the size of any of the four ice dispense sizes follow the steps below.

1. To enter the program mode press the **Program Button**  and **Desired Size** button  at the same time and hold for 5 seconds.
2. The Ice Portion Bar will come on 
3. Press the **RIGHT ARROW** button  to increase the amount of dispensed ice. The LED will move towards the right indicating the Ice Portion has been increased.
4. Press the **LEFT ARROW** button  to decrease the amount of dispensed ice. The LED will move towards the left indicating the Ice Portion has been decreased.
5. To exit the program mode press the **Desired Size** button  or wait 10 seconds and the control will return to the dispense mode.
6. Place a cup under the ice chute and press the just programmed dispense size button  If amount dispense amount is not the desired amount repeat the process.
7. To exit, repeat Step 1

## Agitation Time

The software coding for the progate system involves a direct relationship between the dispense time and the agitation time.

Dispense Time (mS)	Agitation Ratio	Agitation Time (mS)
50	10	500
70	10	700
90	10	900
110	10	1100
130	10	1300
150	10	1500
170	10	1700
190	10	1900
210	10	2100
230	10	2300

Dispense Time (mS)	Agitation Ratio	Agitation Time (mS)
50	16	800
70	16	1120
90	16	1440
110	16	1760
130	16	2080
150	16	2400
170	16	2720
190	16	3040
210	16	3360
230	16	3680

Dispense Time (mS)	Agitation Ratio	Agitation Time (mS)
50	28	1400
70	28	1960
90	28	2520
110	28	3080
130	28	3640
150	28	4200
170	28	4760
190	28	5320
210	28	5880
230	28	6440

The relationship is expressed below.

$$\text{Agitation Time (A}_T\text{)} = \text{Dispense Time (D}_T\text{)} \times \text{Agitation Ratio}^2 (R_A)$$

The agitation time equals the dispense time multiplied by the agitation ratio. The user is given the flexibility to change the agitation ratio there by altering the agitation time in order to ensure that the ice chute is always filled with ice for all the different ice types.

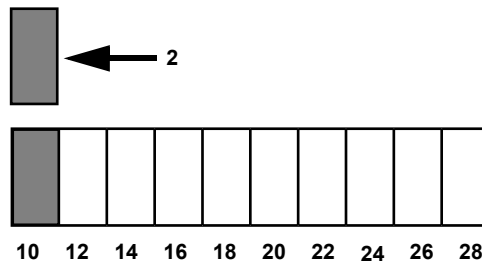

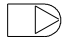




Figure 26.

### Programming (Changing) the Agitation Time

1. Simultaneously Press and hold for 3 seconds, the  button and also both direction arrow buttons   to enter the programming mode.
2. The LED meter turns ON once the programming mode is entered. Visual feedback of ratio/agitation time is obtained from the visual programming LED.  The LED meter shows the existing agitation ratio enabling the user to.
3. Vary the agitation time using the directional arrow buttons. Left to decrease and right to increase.
4. To exit, repeat Step 1.

## Ice Portion Bar

The portion bar is used to determine the amount of time programmed for each size button. Each button has a minimum and maximum amount of time that can be programmed. If a button cannot be adjusted to the size desired use another button to get the desired results.

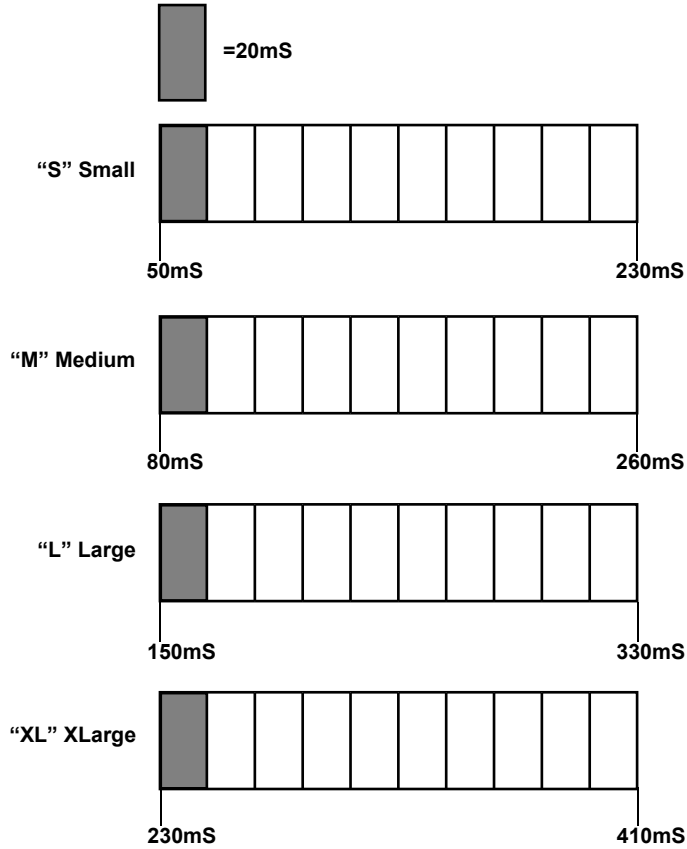


Figure 27.

# DIAGRAMS

## COLD PLATE

The beverage assembly of the unit can be one of the following configurations: 7 UFB-1 Valves and 1 Prism Valve; 5 UFB-1 Valves and 3 Prism Valves; 6 UFB-1 Valves and 2 Prism Valves; 8 Intelli Valves; or 8 UFB-1 Valves; or 8 SFV-1 Valves..

### 7 UFB-1 Valves and 1 Prism Valve

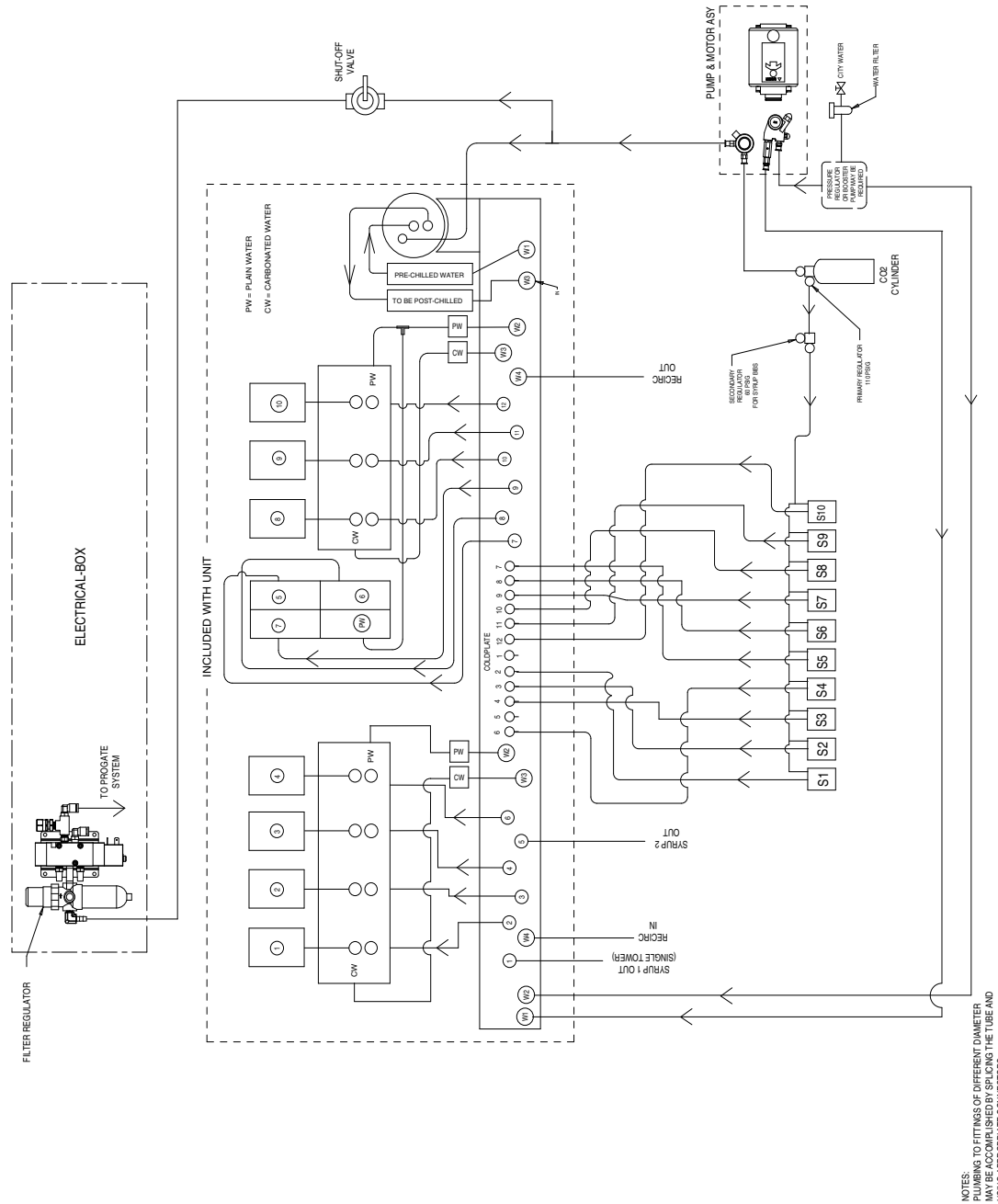


Figure 28.

## 5 UFB-1 Valves and 3 Prism Valves

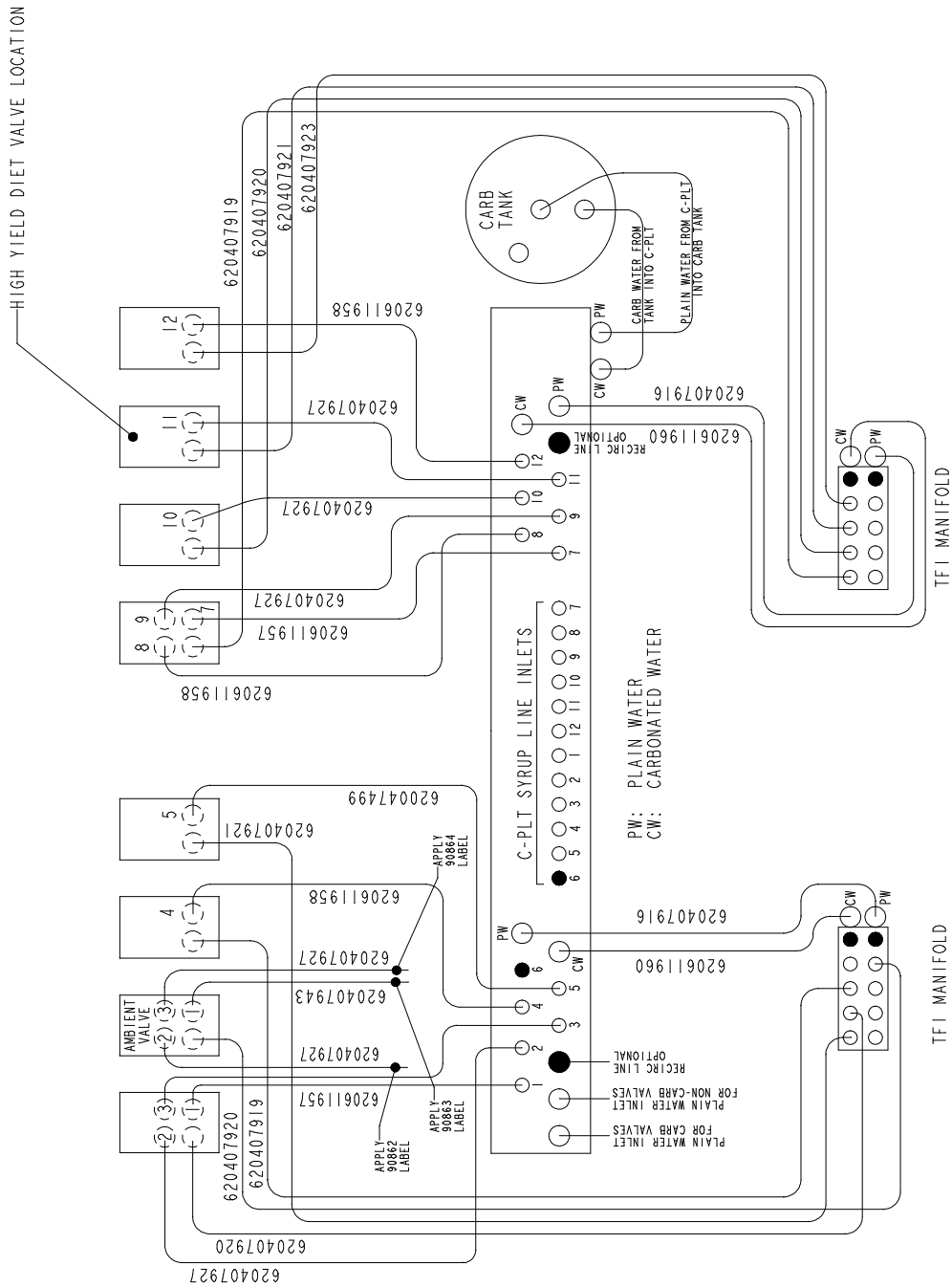


Figure 29.

### 6 UFB-1 Valves and 2 Prism Valves

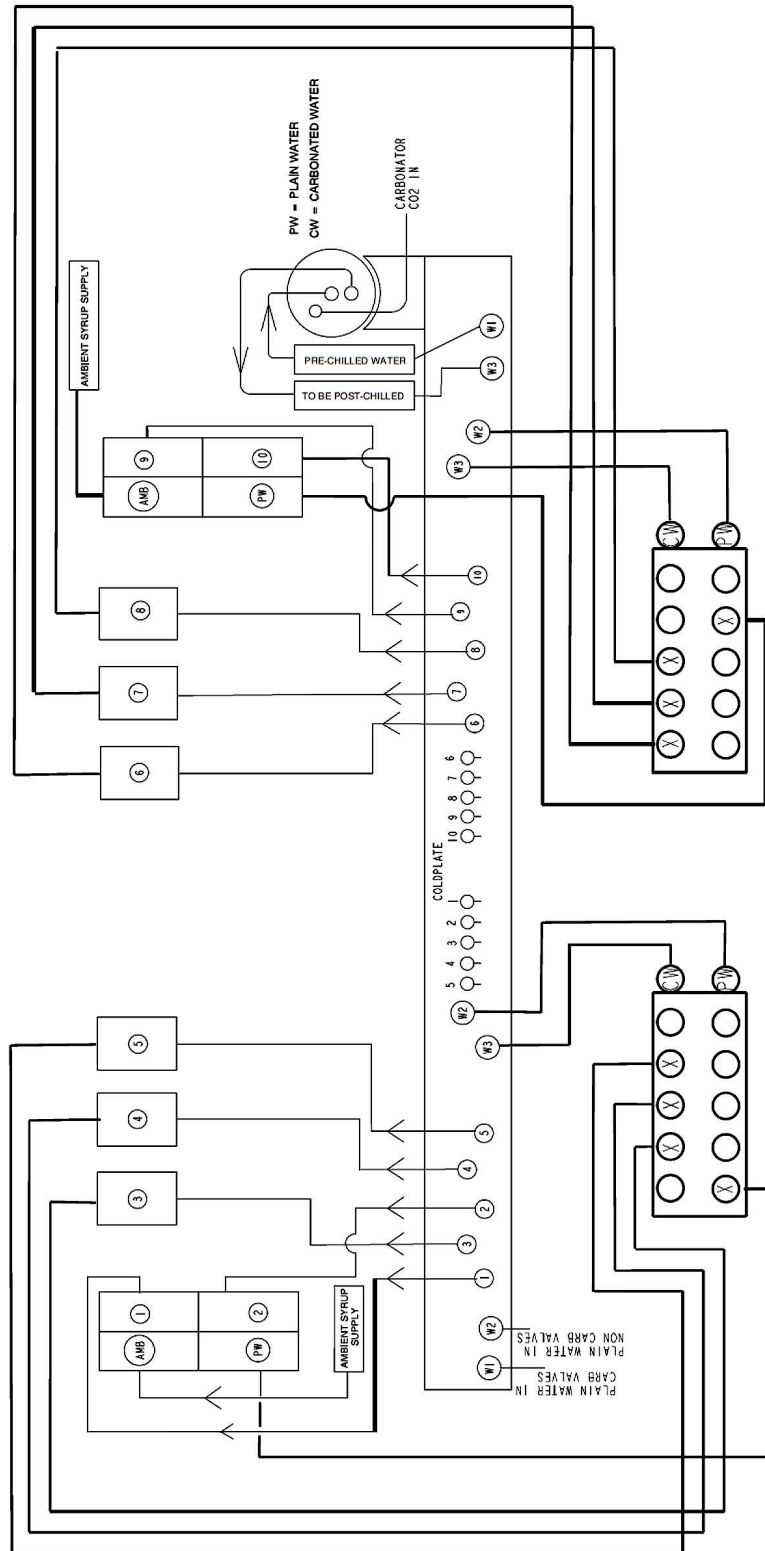


Figure 30.



## E-BOARD OFF CYCLE AGITATION ADJUSTMENTS

When Ice is not being dispensed from the machine such as during off hours it is essential to move or agitate the ice to keep it from clumping and to replenish the ice in the cold plate. The amount of time the agitator runs and the time between the agitation cycles can be adjusted depending on ice type or application. The settings for this function are located on the E-Board found in the E-BOX. Using a screwdriver follow the diagram below and set the agitator for the desired settings.

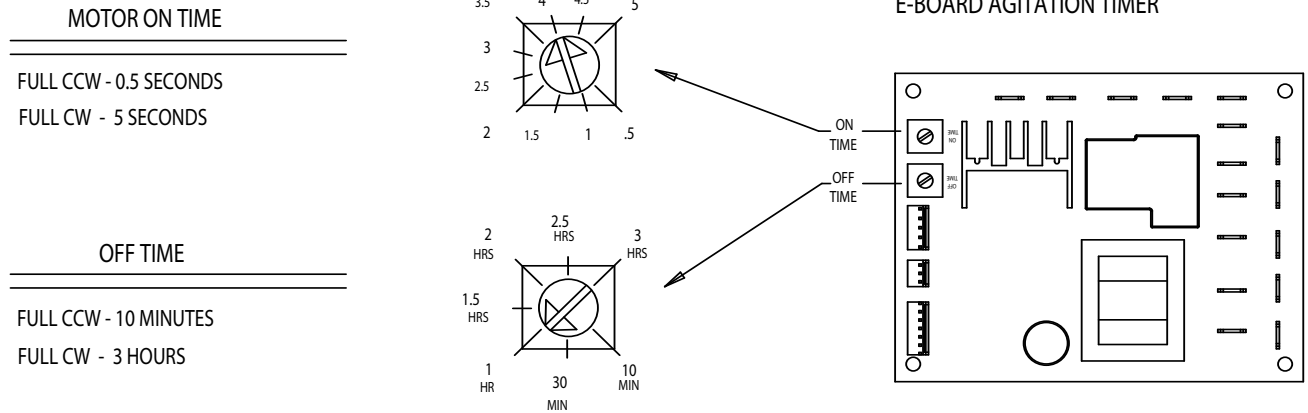


Figure 32.

Manufacturer Recommended Agitation Settings			
Model	Ice Fill/Ice Type	Motor ON Time	Motor OFF time
175, 215, & 255, 300, B, BC	Manual/Hard Ice (Cube)	4 Seconds	1 Hour
	Automatic (Top-Mount Ice Maker/Hard Ice (Cube)	0.5 Seconds	20 Minutes
	Manual & Automatic/Cornelius Chunklet, Scotsman & Hoshizaki Compressed Ice	0.5 Seconds	3 Hours
B - Beverage C-Cold plate		*NO FLAKED ICE*	





# INTERCONNECT SCHEMATIC

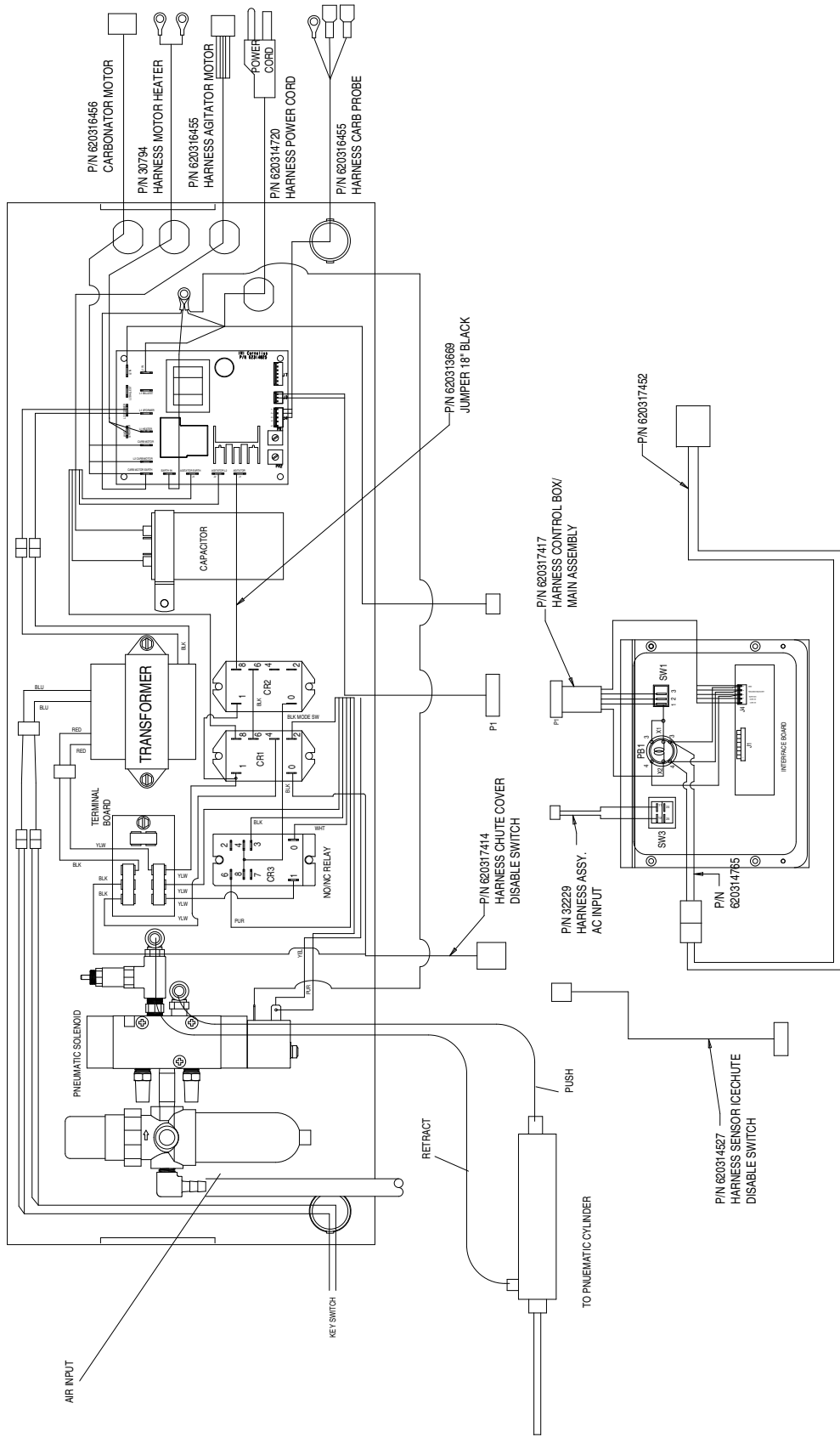
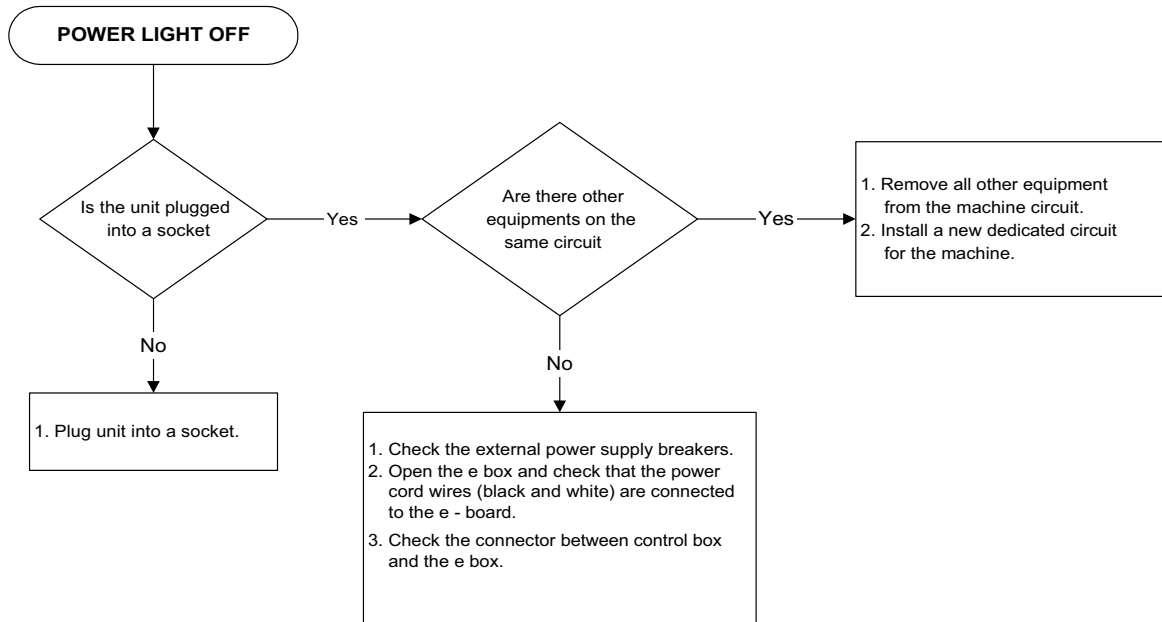


Figure 35.

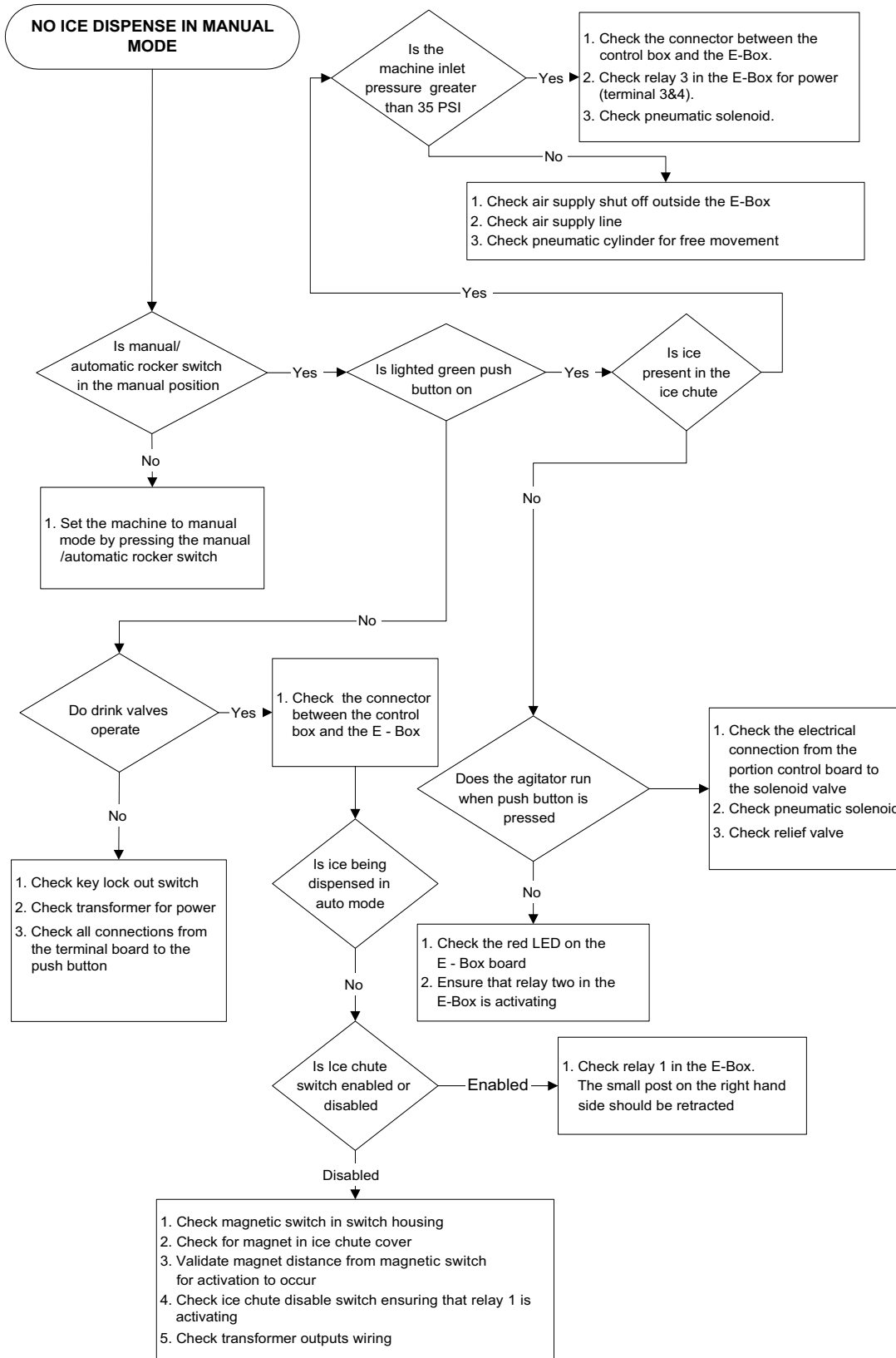
# TROUBLESHOOTING

## POWER LIGHT OFF

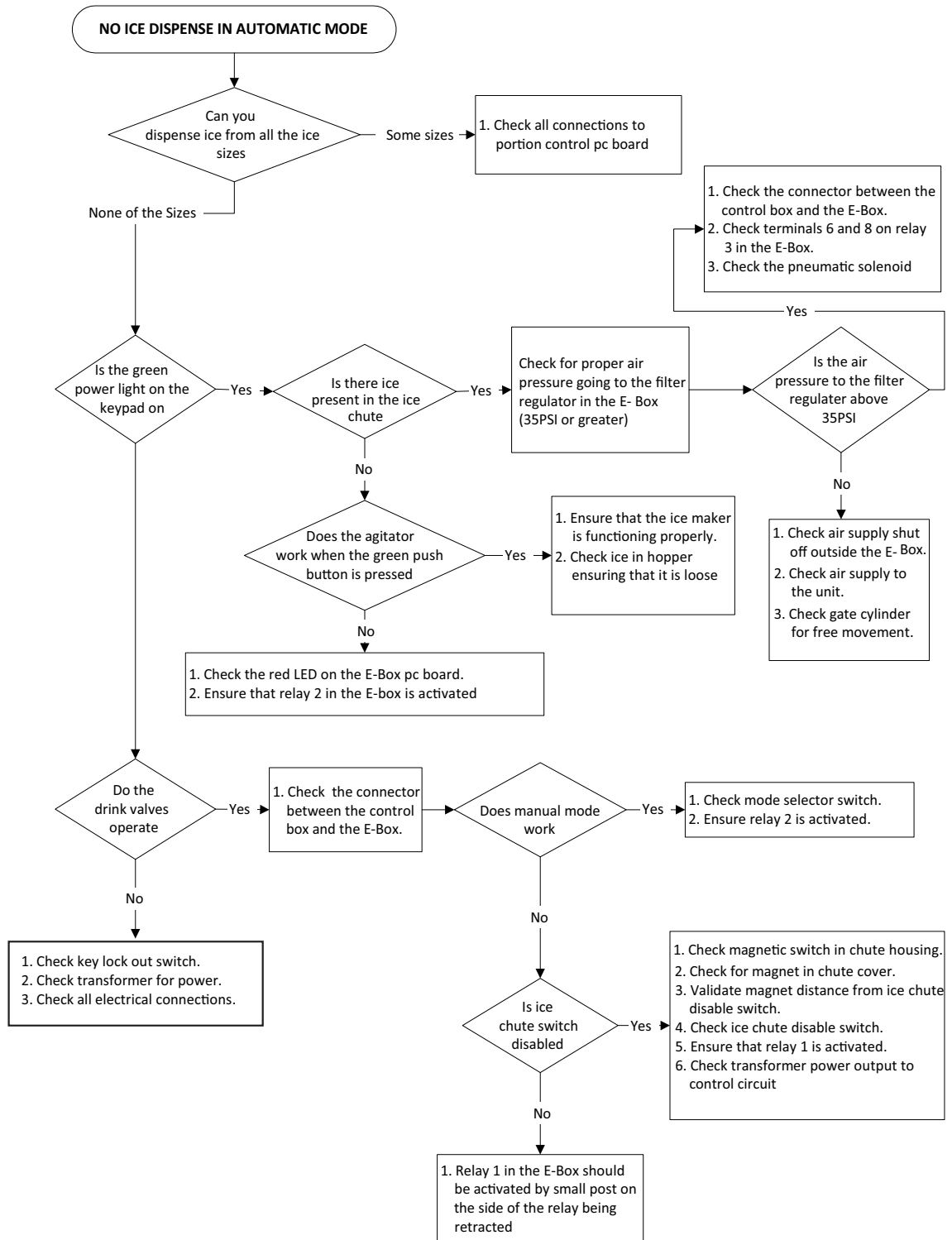




# NO ICE DISPENSE IN MANUAL MODE

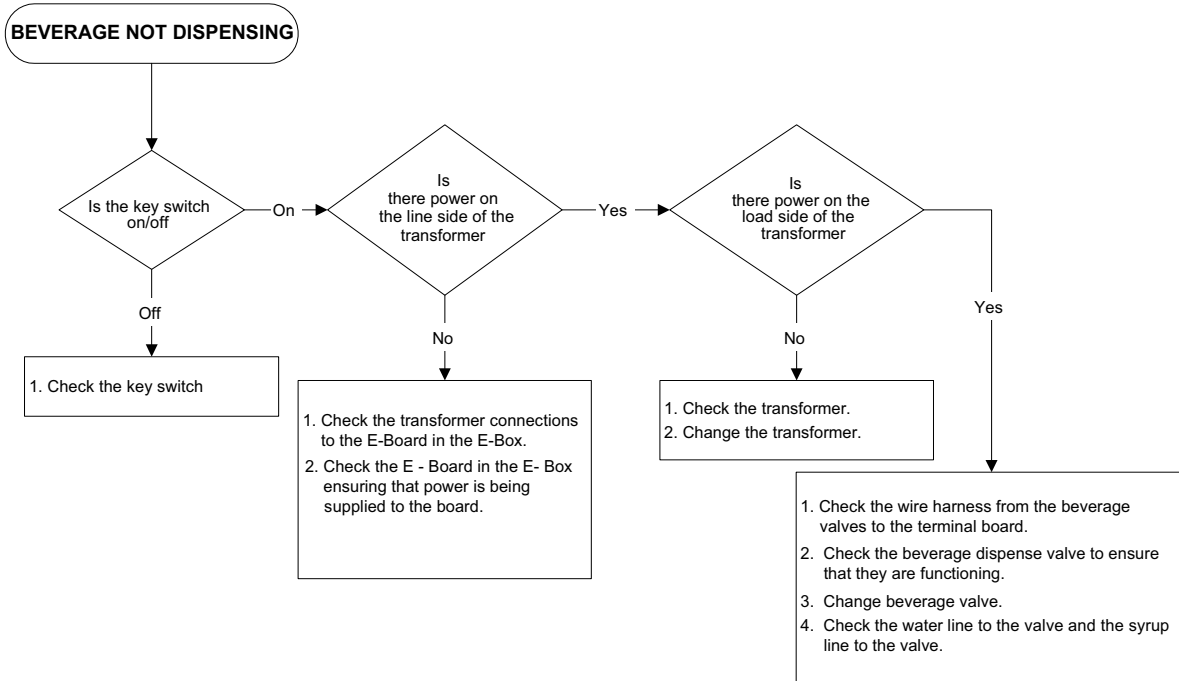


## NO ICE DISPENSE IN AUTOMATIC MODE

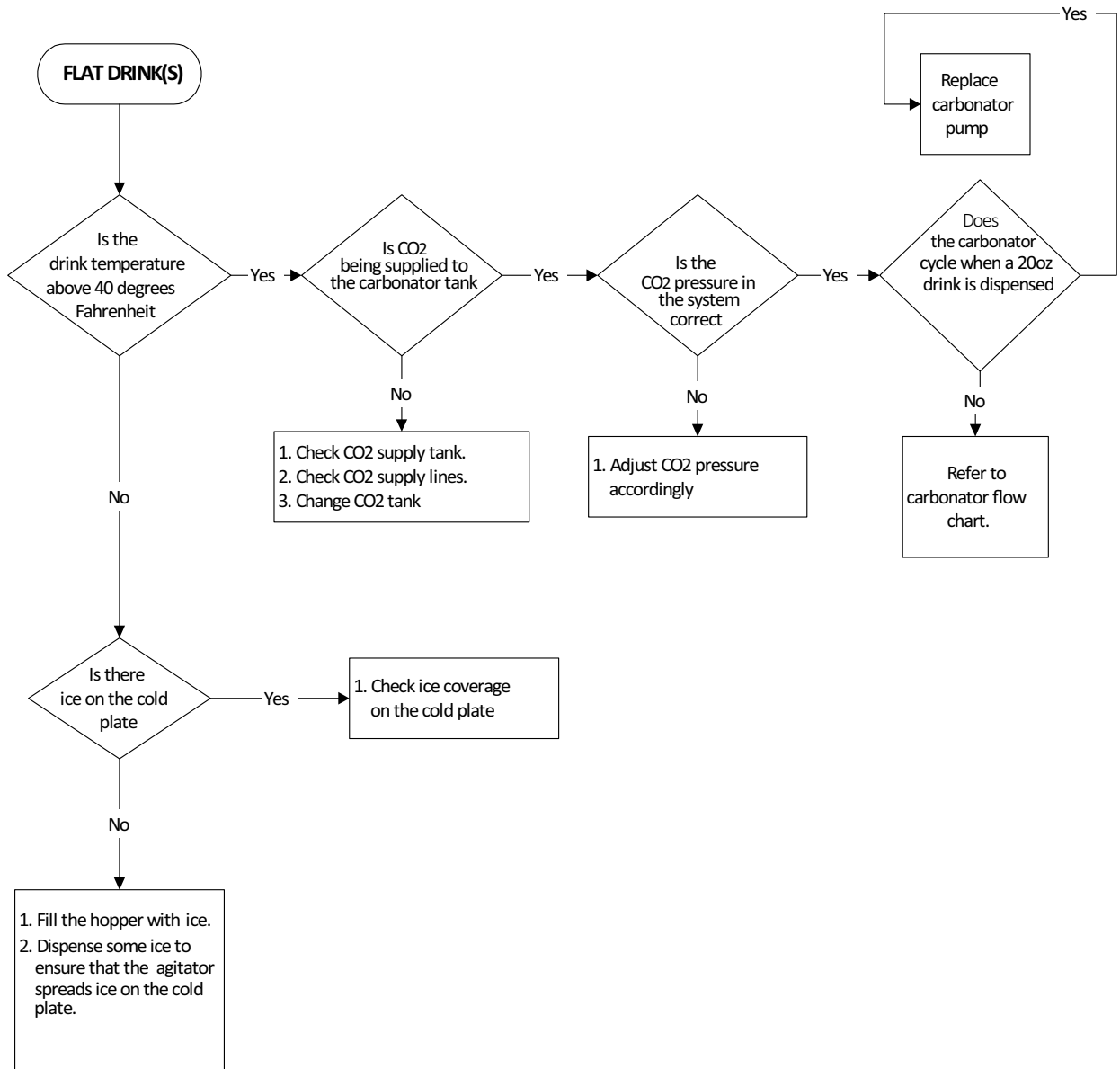




# BEVERAGE NOT DISPENSING



# FLAT DRINKS



# NO CARBONATED WATER

