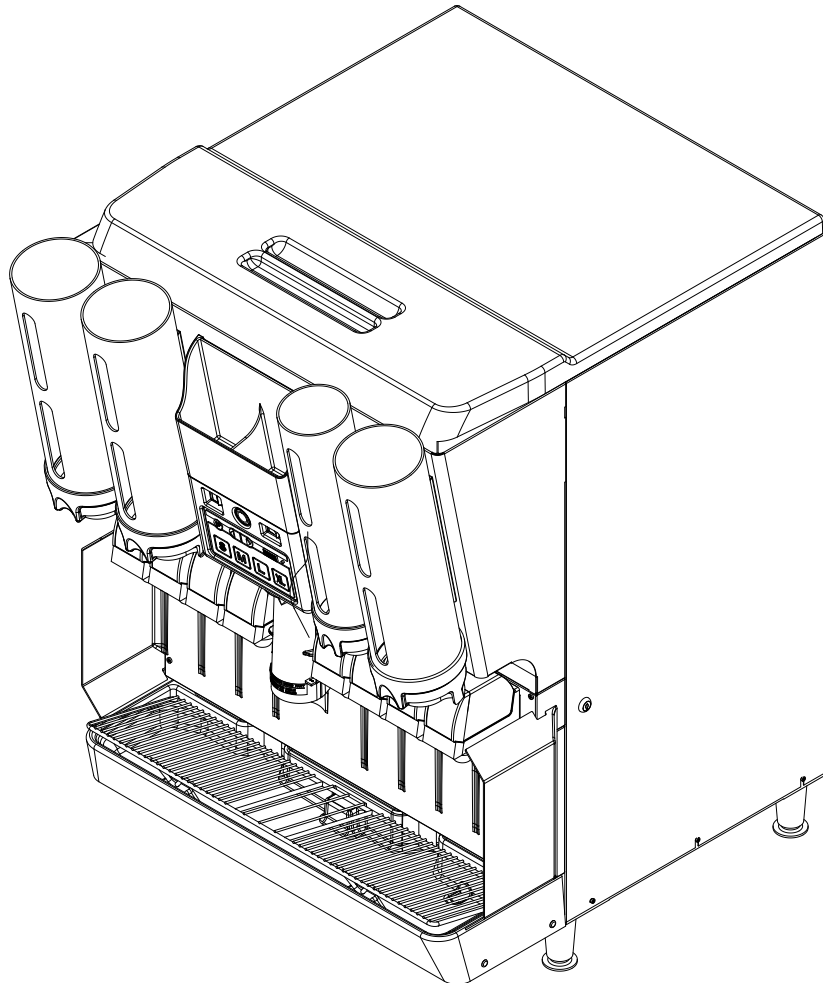


---

**IDC 255 PROGATE DRIVE THRU**  
**ILLUSTRATED PARTS LIST**  
**IDC/NGF 255BCHP**



**Release Date: June 27, 2006**

**Publication Number: 621057419IPL**

**Revision Date: June 1, 2023**

**Revision: M**



**Marmon Foodservice  
Technologies**

A Berkshire Hathaway Company

Visit the Cornelius web site at [www.cornelius.com](http://www.cornelius.com) for all your Literature needs.

---

## Notice

The products, technical information, and instructions contained in this manual are subject to change without notice. These instructions are not intended to cover all details or variations of the equipment, nor to provide for every possible contingency in the installation, operation or maintenance of this equipment. This manual assumes that the person(s) working on the equipment have been trained and are skilled in working with electrical, plumbing, pneumatic, and mechanical equipment. It is assumed that appropriate safety precautions are taken and that all local safety and construction requirements are being met, in addition to the information contained in this manual.

This Product is warranted only as provided in Cornelius' Commercial Warranty applicable to this Product and is subject to all of the restrictions and limitations contained in the Commercial Warranty.

Cornelius will not be responsible for any repair, replacement or other service required by or loss or damage resulting from any of the following occurrences, including but not limited to, (1) other than normal and proper use and normal service conditions with respect to the Product, (2) improper voltage, (3) inadequate wiring, (4) abuse, (5) accident, (6) alteration, (7) misuse, (8) neglect, (9) unauthorized repair or the failure to utilize suitably qualified and trained persons to perform service and/or repair of the Product, (10) improper cleaning, (11) failure to follow installation, operating, cleaning or maintenance instructions, (12) use of "non-authorized" parts (i.e., parts that are not 100% compatible with the Product) which use voids the entire warranty, (13) Product parts in contact with water or the product dispensed which are adversely impacted by changes in liquid scale or chemical composition.

## Correct Disposal of this Product

This marking indicates that this product should not be disposed with other household wastes throughout the EU. To prevent possible harm to the environment or human health from uncontrolled waste disposal, recycle it responsibly to promote the sustainable reuse of material resources. To return your used device, please use the return and collection systems or contact the retailer where the product was purchased. They can take this product for environmental safe recycling.

## Trademarks and Copyrights

This document contains proprietary information and it may not be reproduced in any way without permission from Marmon FoodService Technologies Inc. This document contains the original instructions for the unit described.

MARMON FOODSERVICE TECHNOLOGIES INC  
355 Kehoe Blvd  
Carol Stream, IL  
Tel: + 1 800-238-3600

Printed in U.S.

## Contact Information

To inquire about current revisions of any documentation or assistance with any Cornelius product, contact:

**[www.marmonfoodservice.com](http://www.marmonfoodservice.com)**  
**[www.cornelius.com](http://www.cornelius.com)**  
**800-238-3600**

# EQUIPMENT REGISTRATION



Thank you for purchasing your equipment from the Marmon Foodservice Technologies family of brands. From technical support to warranty dispatch to replacement parts sales, Marmon Link provides your entire after-sales support for Cornelius, Prince Castle, Silver King, and Angelo Po America equipment.

Registering your equipment will help us keep you up to date on equipment information, preventative maintenance resources, and other topics. Your equipment's warranty will not be affected if you choose to not fill out this form.

To expedite the process, we ask that you have the following:

- The serial numbers of the equipment you purchased.
- The name and email address for a designed store contact.
- The general store information, including address location number.

## REGISTER YOUR EQUIPMENT

### To Maximize Your Benefits

- Comprehensive after-sales service
- Over the phone technicians
- Quick-ship parts

### Complete with:

- Serial Number
- Equipment location details



Your equipment serial number will be validated against our database of existing serial numbers. If you are having difficulties entering a valid number, please contact Marmon Link at **1-866-275-6392**.

## CLADDING COMPONENTS AND OVERALL ASSEMBLY DETAIL

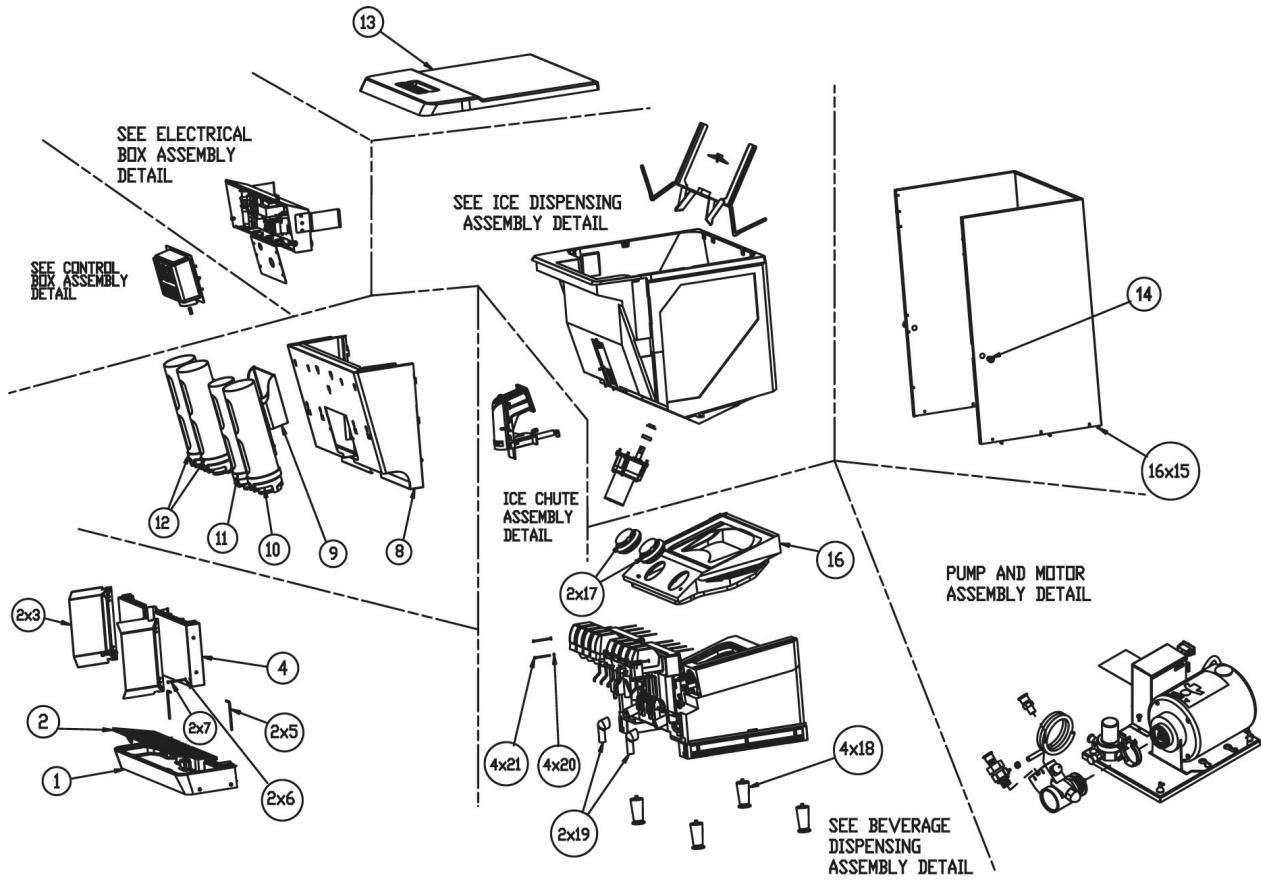


Figure 1.

Item No.	Part No.	Name
1	620521113	Drip Tray
2	620708537	Cup Rest
	620073647	Cup Rest Optifil Kid Size
3	52084	Guard Splash R/L
4	620053879	Panel Assembly
	620052923	Panel Assembly (Non-Progate)
5	10145	Drip Tray Mounting Pin
6	71010	Captivating Washer
7	70555	Screw Stainless
8	620520575	Cover Weldment (Progate)
	620520578	Cover, Weldment (Non-Progate)
9	620046723	Holder Straw IDC/Yum Crew Serve
10	620517069	Lid Holder Asy Xlrg
11	620517068	Lid Holder Asy Sml & Med

Item No.	Part No.	Name
12	620517067	Lid Holder Asy Large
13	620517034	Lid IDC255 Black
14	32977	Keyswitch Assem. (Keys Included) Replacement Keys Only (70739)
15	620705801	Phillips Truss Head Screw, #8-18 X 1/2" Long, Stainless Steel
16	620066343	Foamed Cold Plate Cover
17	620516645	Cover Coldplate Access
18	70970	4" Adjustable Leg, 3/8" - 16, Black Plastic with Nickel Plated Foot
19	620517034	Lid IDC255 Black
20	32977	Keyswitch Assem. (Keys Included) Replacement Keys Only (70739)

## FRONT PANEL COMPONENTS - STRAIGHT (90°) VERSION

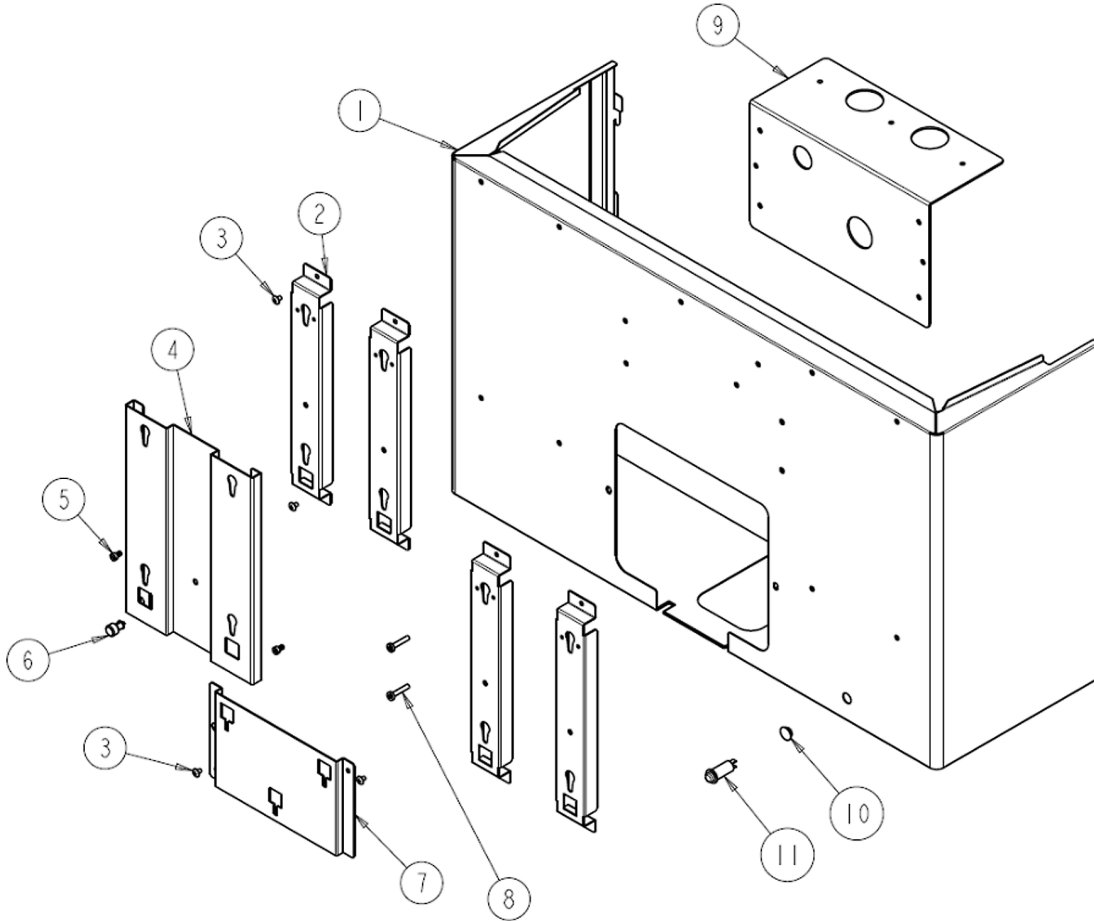


Figure 2.

Item No	Part No.	Name
1	620071038	Cover Front Weldment Dispenser
2	620071540	Brkt Adapter Cup/Lid Dispenser
3	<a href="#">161168000</a>	Screw MA 08-32 TRPH 08 SS
4	620070916	Bracket Lid Holder
5	620071542	Screw Shoulder #8-32 Slotted Head SS
6	<a href="#">560002707</a>	Nut Captive 08-32 Snap-In ABS
7	620071541	Brkt Adapter Straw Holder
8	<a href="#">70692</a>	Screw MA 10-32 RDPH 32 SS
9	620070915	Bracket Portion Control
10	<a href="#">168462002</a>	Plug-Butn 1/2 Hole Stni Swc
11	<a href="#">33666</a>	Display Light Indicator
	<a href="#">629087544</a>	Kit DF/ED250Pro Low CO2 Indicator Light

NOTE: Item 11 is Optional & need to order separate.

## CUP DISPENSER/LID HOLDER/STRAW HOLDER/VESA MOUNT COMBINATIONS

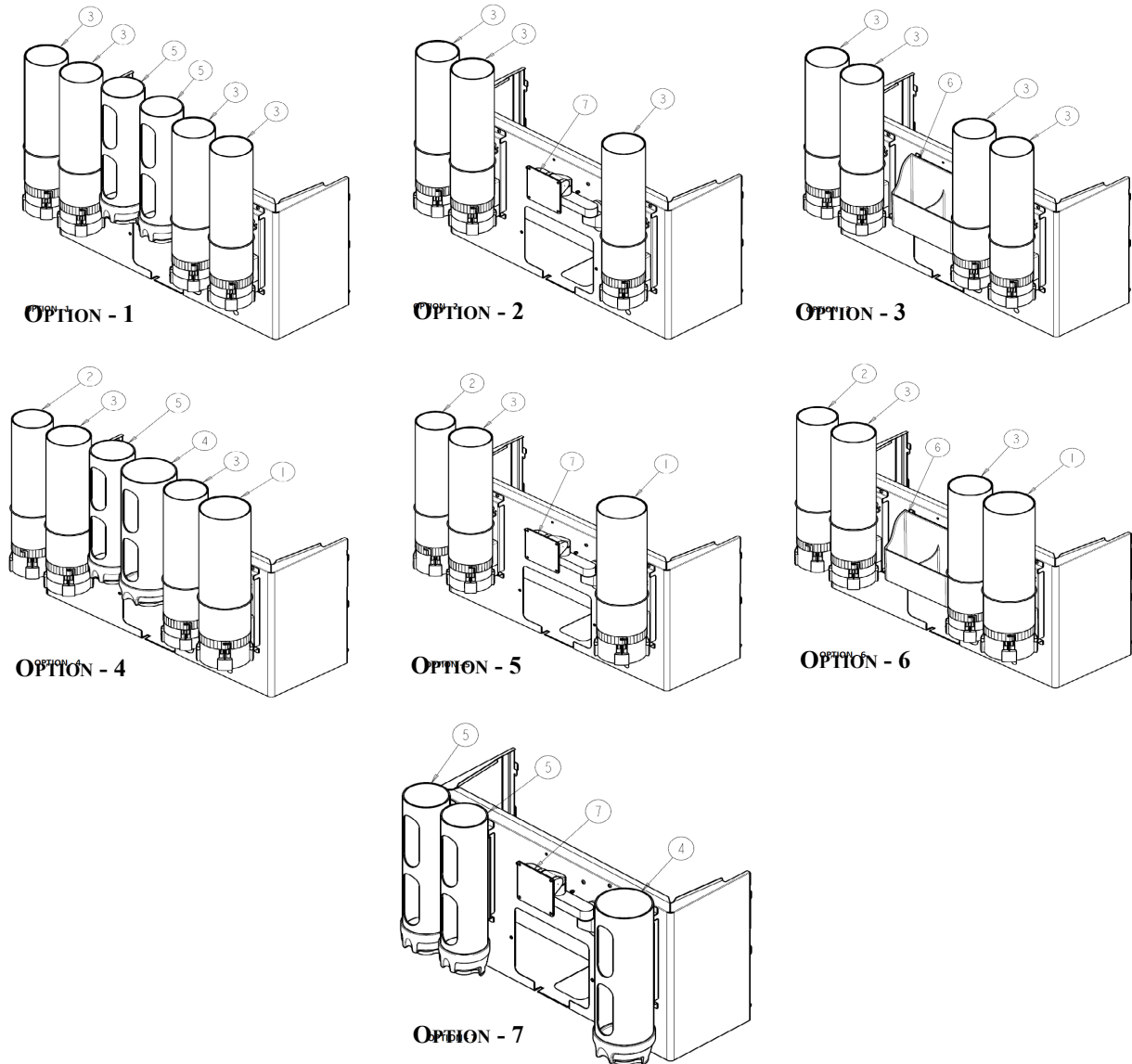


Figure 3.

Item No	Part No.	Name
1	<a href="#">629097441</a>	Kit Cup Dispenser Large [Cup Tube Dia 4.62" (117.3 cm) Max]
2	<a href="#">629097462</a>	Kit Cup Dispenser Child [Cup Tube Dia 3.65" (92.7 cm) Max]
3	<a href="#">629097463</a>	Kit Cup Dispenser Small/Medium [Cup Tube Dia 4" (101.6 cm) Max]
4	<a href="#">620517067</a>	Lid Holder Asy Large IDC/Pro [Tube Dia 5" (127 cm) Max]
5	<a href="#">620517068</a>	Lid Holder Asy Small/Medium IDC/NGF Pro [Tube Dia 4" (101.6 cm) Max]
6	<a href="#">620046723</a>	Holder Straw
7	9110-8.5-4	Vesa Mount Hinge Arm

NOTE: There are only seven combinations of Cup Dispenser/Lid Holder/Straw Holder/VESA Mount as mentioned above and part no.9110-8.5-4 must be ordered separately through KES.

## ELECTRICAL BOX ASSEMBLY DETAIL

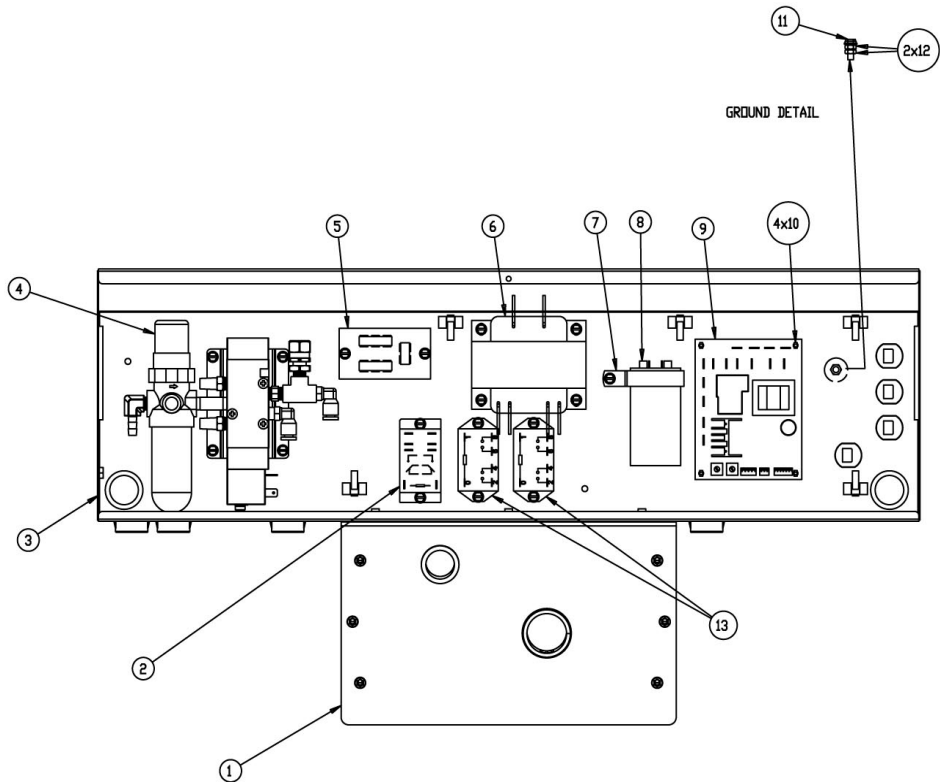


Figure 4.

Item No.	Part No.	Name
1	620052685	Control Box Mounting Brkt
2	620314025	NO/NC 25 Vac Relay
3	620314152	Electric Box
4	620313711	Solenoid Asy IDC/Progate Air
5	31107	Terminal Board
6	620047655	Transformer 120 V 60 Hz.
7	620717212	Capacitor Mount

Item No.	Part No.	Name
8	560002379	Capacitor, 20 Mfd, 230 V, 50 Hz.
9	620314825-100	Main Electrical Board (W/Jumper )
	620062577	Interlock Jumper
10	325925000	Electrical Board Support
11	70120	Machine Screw, #10-32, Gnd
12	70015	Hex Nut, #10-32, KEPS
13	60569001	Relay

## ICE DISPENSING ASSEMBLY DETAIL

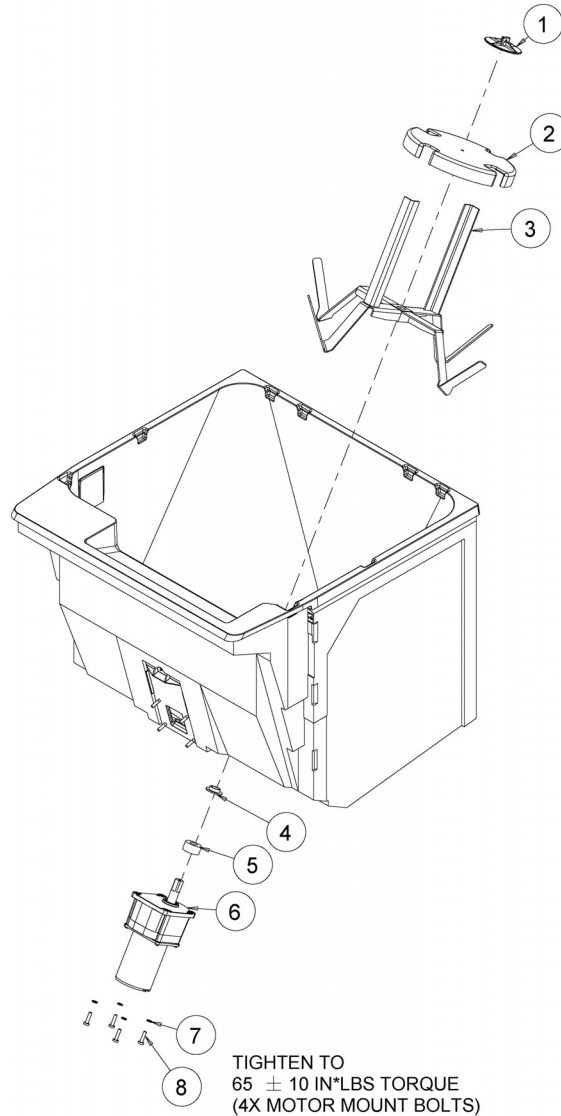


Figure 5.

Item No.	Part No.	Name
1	<a href="#">15087</a>	Agitator Retainer
2	<a href="#">620042770</a>	Agitator Disk
3	<a href="#">620042766</a>	Agitator
4	<a href="#">620711105</a>	Gear Box Shaft Seal
5	<a href="#">52876</a>	Gear Box Shaft Gasket

Item No.	Part No.	Name
6	<a href="#">740002816</a>	Service Motor 115v (Without Gear Box)
	<a href="#">740002817</a>	Service Motor 230v (Without Gear Box)
	<a href="#">620068668</a>	Motor Gear Agitator Asy 115v
	<a href="#">620071056</a>	Motor Gear Agitator Asy 230v
7	<a href="#">168833000</a>	Lock Washer .262 ID X .489 OD
8	<a href="#">70260</a>	Self-Locking Socket Head Cap Screw, 1/4-20, 1" Long, SS

## BEVERAGE DISPENSING ASSEMBLY DETAIL

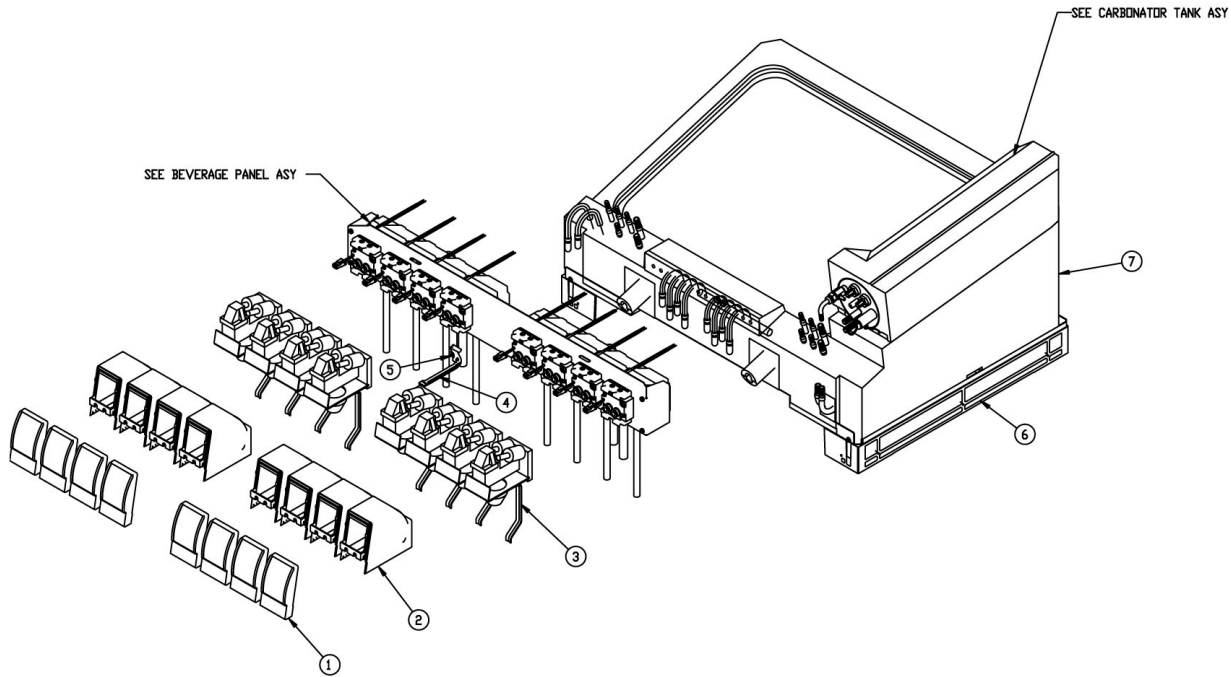


Figure 6.

Item No.	Part No.	Name
1	1956	Front Valve Cover UF-1 Black (For lever valves only)
	620050574	Front Valve Cover SFV-1 Gray
	620069127-301	Front Cover Module Prism Black
	620069127-102	Front Cover Module Prism Gray
2	1950	Back Valve Cover UF-1 Black
	620050575	Back Valve Cover SFV-1 Gray
3	561000155	UFB Lever Valve Assembly
	620055292	UFB-1 OptiFill, High Ratio Diet Valve without Back Block and Covers
	620608766	SFV-1 Sanitary Lever Valve Assy
	620608769	SFV-1 OptiFill Valve without Back Block and Covers
	620073009	Prism Sanitary Lever Valve without Back Block and Covers
	620073822	Prism OptiFill Valve without Back Block and Covers
4	1935	Water Only Lever Bar

Item No.	Part No.	Name
5	560001788	Sheetmetal Screw, #6-32 X 3/16" Long Pan Head Slotted, Stainless
6	740002286	Base Assy Ed 2XX Jordan
7	620407060	Foamed 19 X 28 8FL C-Plt Assy.

## BEVERAGE DISPENSING AND BEVERAGE PANEL ASSEMBLY DETAIL

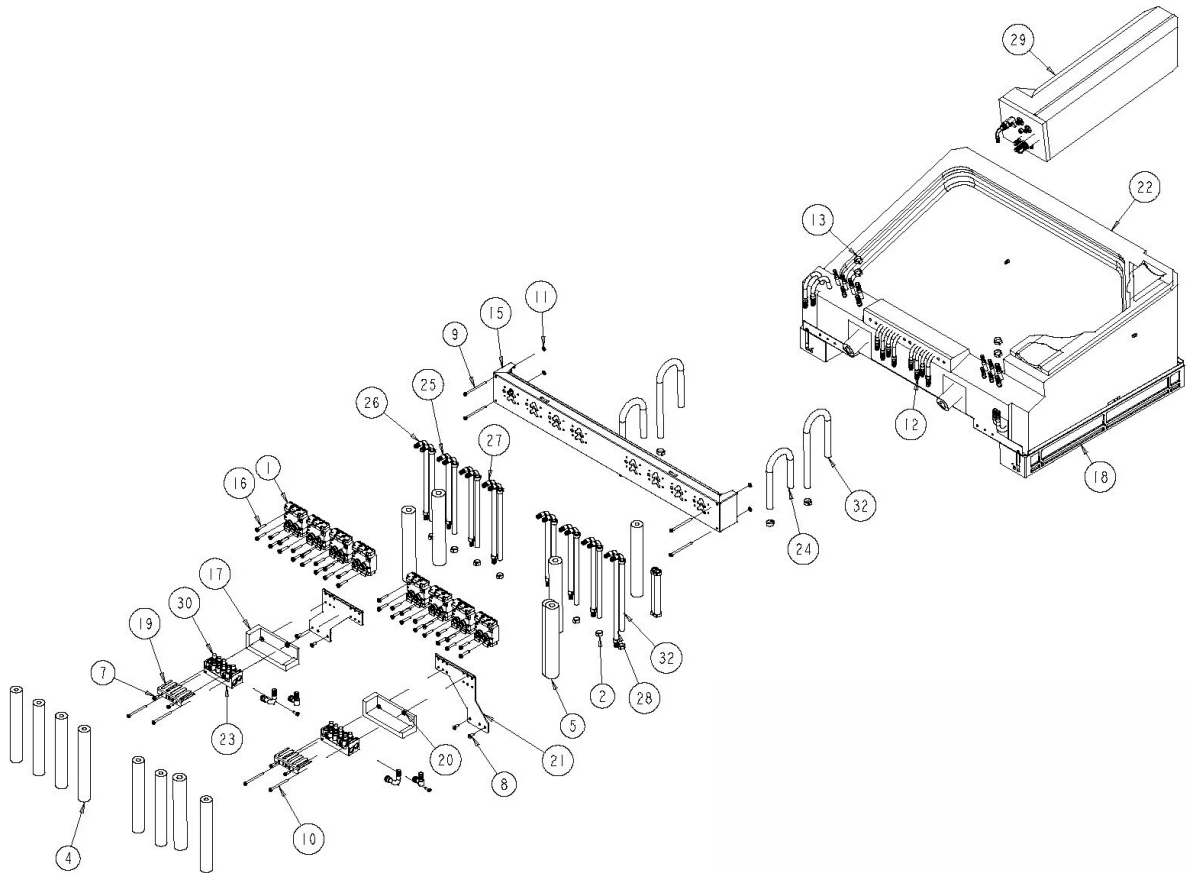


Figure 7.

Item No.	Part No.	Name
1	1919	Mounting Block Assembly
	620056417	Prism Valve Mounting Block Assy
2	300200000	Clamp Oetr 13.3 STPLS #13
3	50126	Insulation Prestite 1/8X2-1/2
4	50163	Armaflex 3/8 ID X 3/8 Wall
5	50249	Tubing Insul. 1/2 ID X 3/8 Wall
6	50326	Insulation Tape 1/8" X 2" X 30'
7	70204	Screw Sm 08 TA TRPH 16 SS
8	70307	Rivet Pop 187D 188-250
9	70555	Screw MA 08-32 TRPH 84 SS
10	71006	Screw MA 08-32 TRPH 72 SS
11	71010	Washer - Captivating #8
12	99250	Cap
13	309853000	Clamp Oetr 618 Open STPLS #15.7
14	321471000	Lube Dow 111 5.3 oz. Tube
15	620042856	Panel Bev.8 Valve IDC 2XX
	620042780	Panel Bev.10 Valve IDC 2XX
	620047464	Panel Bev. 8 Valve NGF 2XX
	620056091	Panel Bev. 10 Valve NGF 2XX

Item No.	Part No.	Name
16	620700602	Screw TF SM 10-16 RDPH 32 SS
17	620711962	Insulation TFI Manifold
18	740002286	Base Assy ED2XX Jordan
19	620046382	Retainer TFI FITGS
20	620046798	Bushing Hinge Nylon
21	620053839	Bracket Manifold Mtg
22	620407060	Foamed 19 X 28 8FL C-PLT Assy.
23	620407728	Manifold Total Flex, 5 Pos
24	620407917	Water Line Assy, U-Shape 3/8 I.D.
25	620407919	Water Line Assy, 1/4 I.D.
26	620407920	Water Line Assy, 1/4 I.D.
27	620407921	Water Line Assy, 1/4 I.D.
28	620407923	Water Line Assy, 1/4 I.D.
29	620518314	Tank Carb Assy Jordan
30	620519005	Plug Manifold
31	620717795	Tubing Polyethylene .380 X .593
32	620611961	Line Assembly Water
33	620719370	Tube Prod. Syrup JRD

## CARBONATOR TANK ASSEMBLY DETAIL

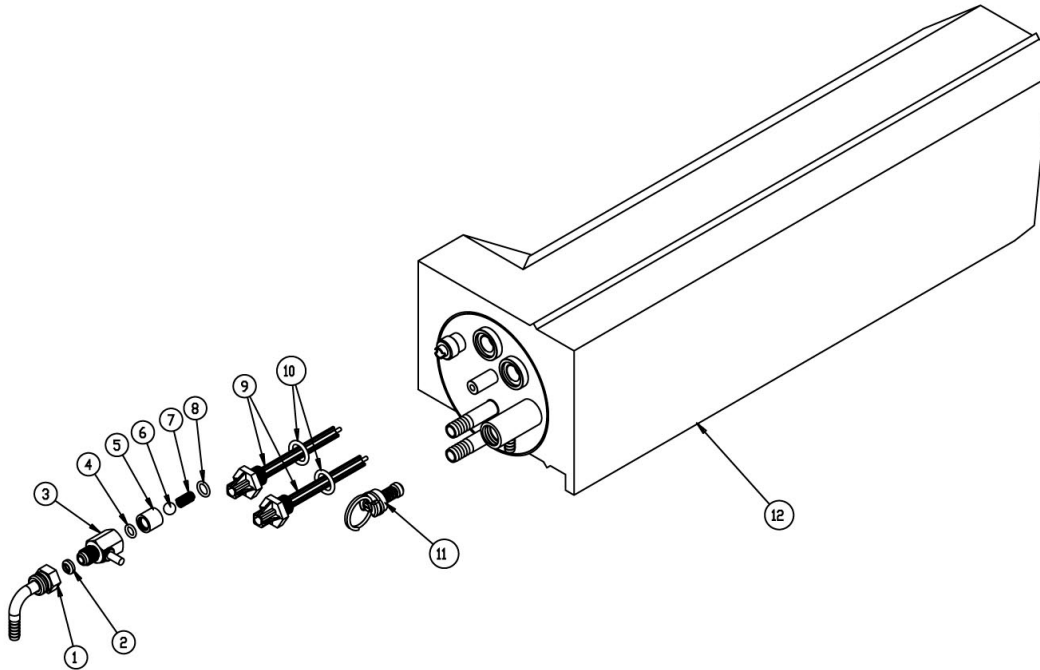


Figure 8.

Item No.	Part No.	Name
1	<a href="#">77040100</a>	L-Swivel Fitting 7/16"-20 (1/4" FFL) FL X 1/4" Barb, SS
2	<a href="#">178025100</a>	Male Gasket Flare Fitting
3	<a href="#">65259001</a>	Check Valve Fitting
4	<a href="#">317015000</a>	O-Ring .239" ID .070" CS 70 DU BU-N
5	<a href="#">64686</a>	Check Valve Sleeve SS
6	<a href="#">64560</a>	Check Valve Ball, .3125" SS
7	<a href="#">64678</a>	Spring

Item No.	Part No.	Name
8	<a href="#">150058000</a>	O-Ring .301" ID .070" CS 60 DU BU-N
9	<a href="#">620607108</a>	Liquid Level Control Probe: Must be purchased together with item 10 (O-ring).
10	<a href="#">31525007</a>	O-Ring .488" ID 103 CS 60 DU BU-N
11	<a href="#">630001122</a>	Relief Valve
12	<a href="#">620518314</a>	Carb Tank Complete Assembly

## PUMP AND MOTOR ASSEMBLY DETAIL

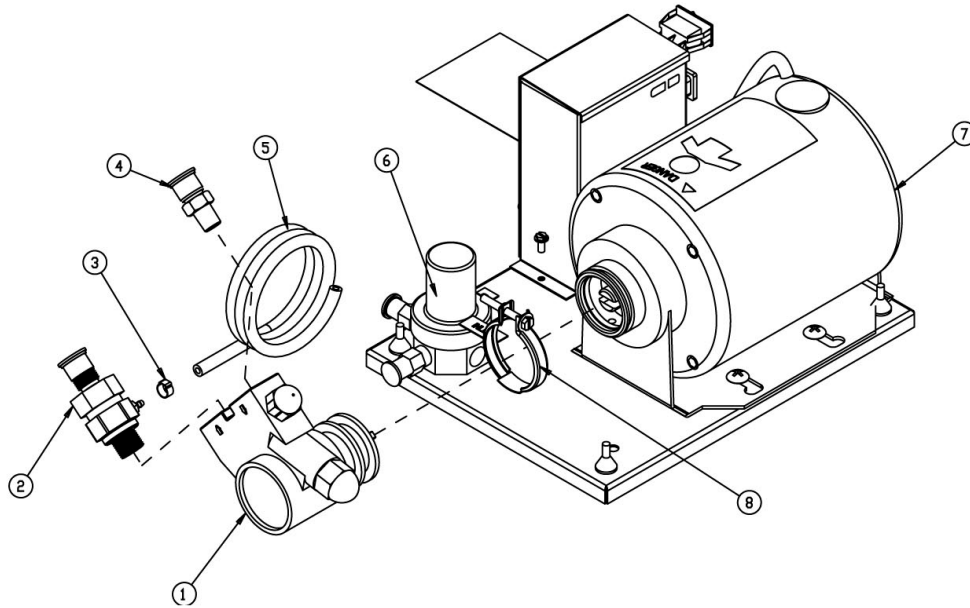


Figure 9.

Item No.	Part No.	Name
1	<a href="#">60170LL</a>	Pump, 125GPH
2	<a href="#">620608773</a>	Check Valve 3/8MPT 5/8-18
3	<a href="#">311527000</a>	Oetiker Clamp #8.7
4	<a href="#">21247013</a>	Straight Fitting 3/8 MPT X 3/8 MF, Brass

Item No.	Part No.	Name
5	<a href="#">174004000</a>	Polyethylene Tubing .156" ID X .312" OD
6	<a href="#">620709802</a>	Pressure Regulator, 75 PSIG
7	<a href="#">60030058</a>	Motor Pump
8	<a href="#">187483000</a>	Clamp

## ICE CHUTE ASSEMBLY DETAIL

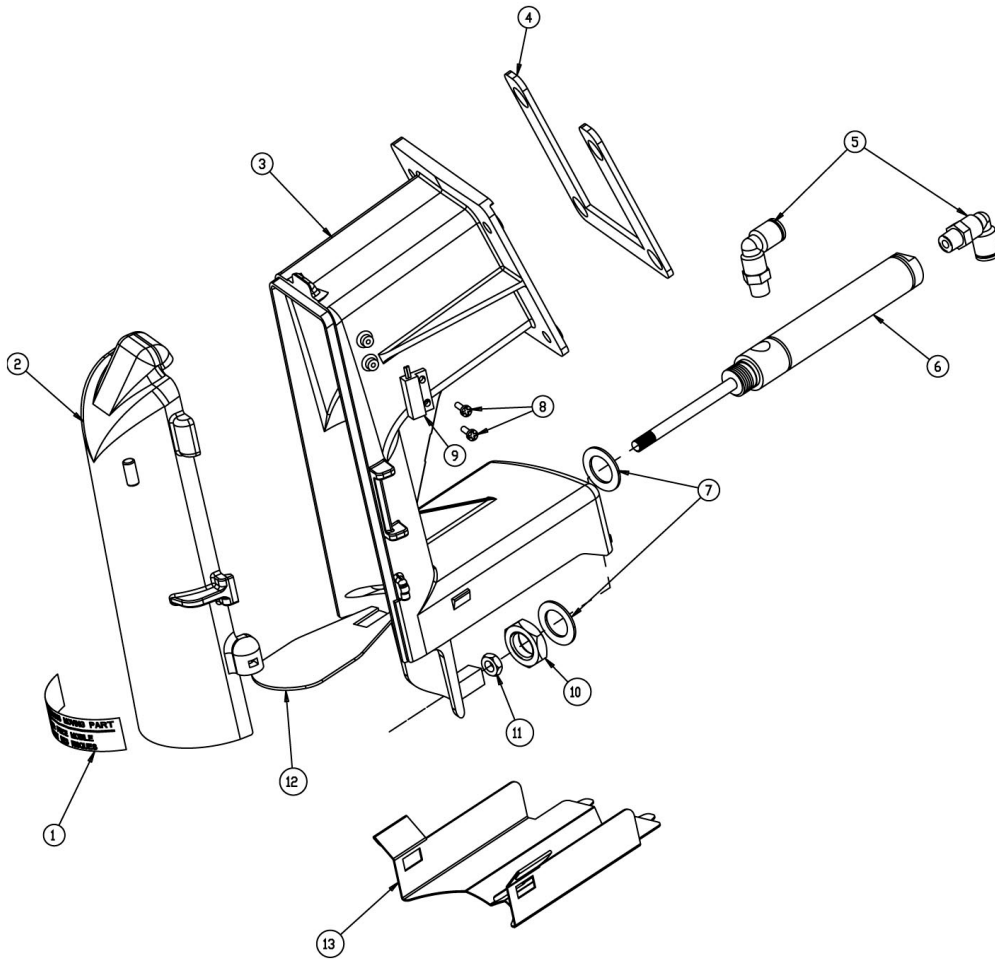


Figure 10.

Item No.	Part No.	Name
1	<a href="#">91776</a>	Label, Warning Hazardous Moving
2	<a href="#">620518520</a>	Ice Chute Cover
3	<a href="#">620518521</a>	Ice Chute Jordan Progate
4	<a href="#">620710129</a>	Gasket Ice Chute IDC Low Duro
5	<a href="#">620720630</a>	Fitg, 1/4 Tube X 1/8 MPT
6	<a href="#">620200411</a>	Cylinder, Air Double Acting 2-1/2
7	<a href="#">620702505</a>	Bushing, Mach 5/8 X 1 X .048 SS

Item No.	Part No.	Name
8	<a href="#">620705901</a>	Screw Sm #04 PAPH 12 SS
9	<a href="#">620314527</a>	Sensor, Position Ice Chute Jordan
10	<a href="#">620701208</a>	Nut, Hex, 5/8-18 SS Jam-SPC
11	<a href="#">620701202</a>	Nut, Hex Jam 1/4-28 SS 400 SER
12	<a href="#">620048712</a>	Gate Slide Assy Jordan Progate
13	<a href="#">620200418</a>	Cylinder Enclosure Progate

## ICE CHUTE ASSEMBLY DETAIL

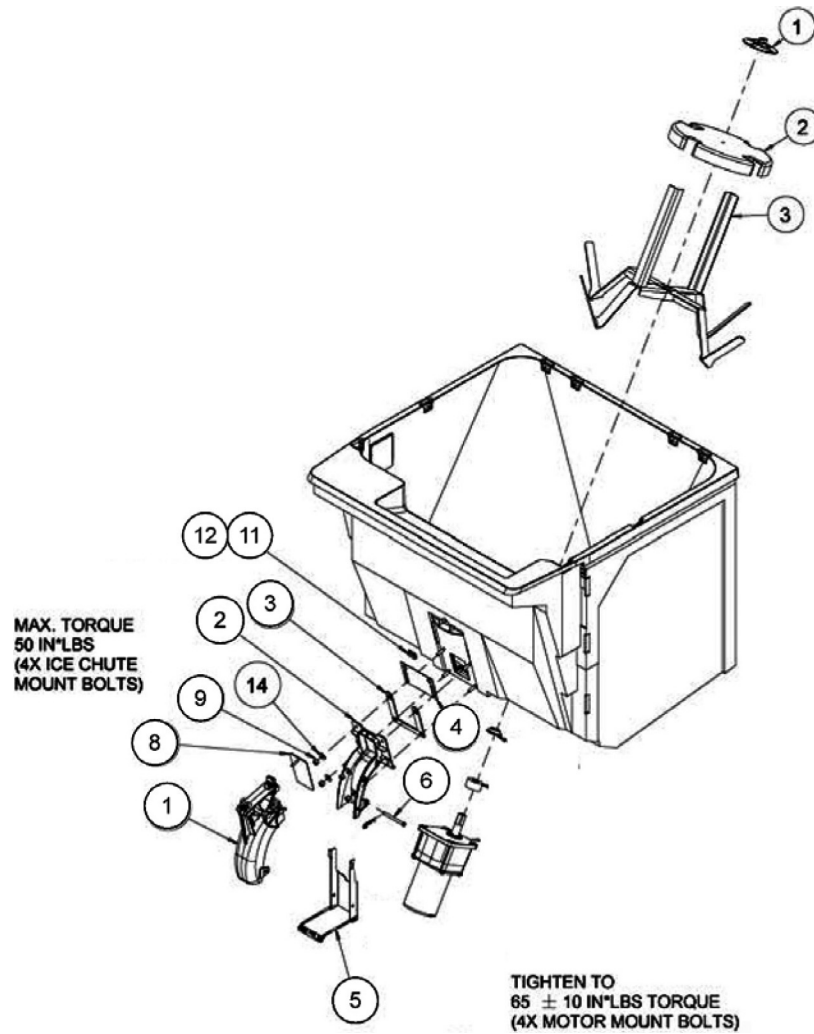


Figure 11.

Item No.	Part No.	Name
1	<a href="#">620518536</a>	Upper Ice Chute Assembly
2	<a href="#">620518535</a>	Lower Ice Chute
3	<a href="#">620710129</a>	Ice Gate Gasket
4	<a href="#">620518908</a>	Ice Gate Restrictor Plate
5	<a href="#">620047111</a>	Ice Chute Push Bar
	<a href="#">620709353</a>	Ice Chute Lever (not shown)
6	<a href="#">620051502</a>	Clevis Pin, .250" Dia X 2.75" Long, SS
7	<a href="#">620709432</a>	Hairpin Cotter, SS
8	<a href="#">620048706</a>	Ice Gate

Item No.	Part No.	Name
9	<a href="#">620709132</a>	Hex Nut, 1/4-20 Nylock, SS
10	<a href="#">620314527</a>	Ice Chute Position Sensor
11	<a href="#">V25248</a>	Flat Washer, #10 SS
12	<a href="#">70178</a>	Machine Screw, #08-32 x 1/2 TPH SS
14	<a href="#">70066</a>	Flat Washer, .265" ID X .750" OD, SS

## CONTROL BOX ASSEMBLY DETAIL

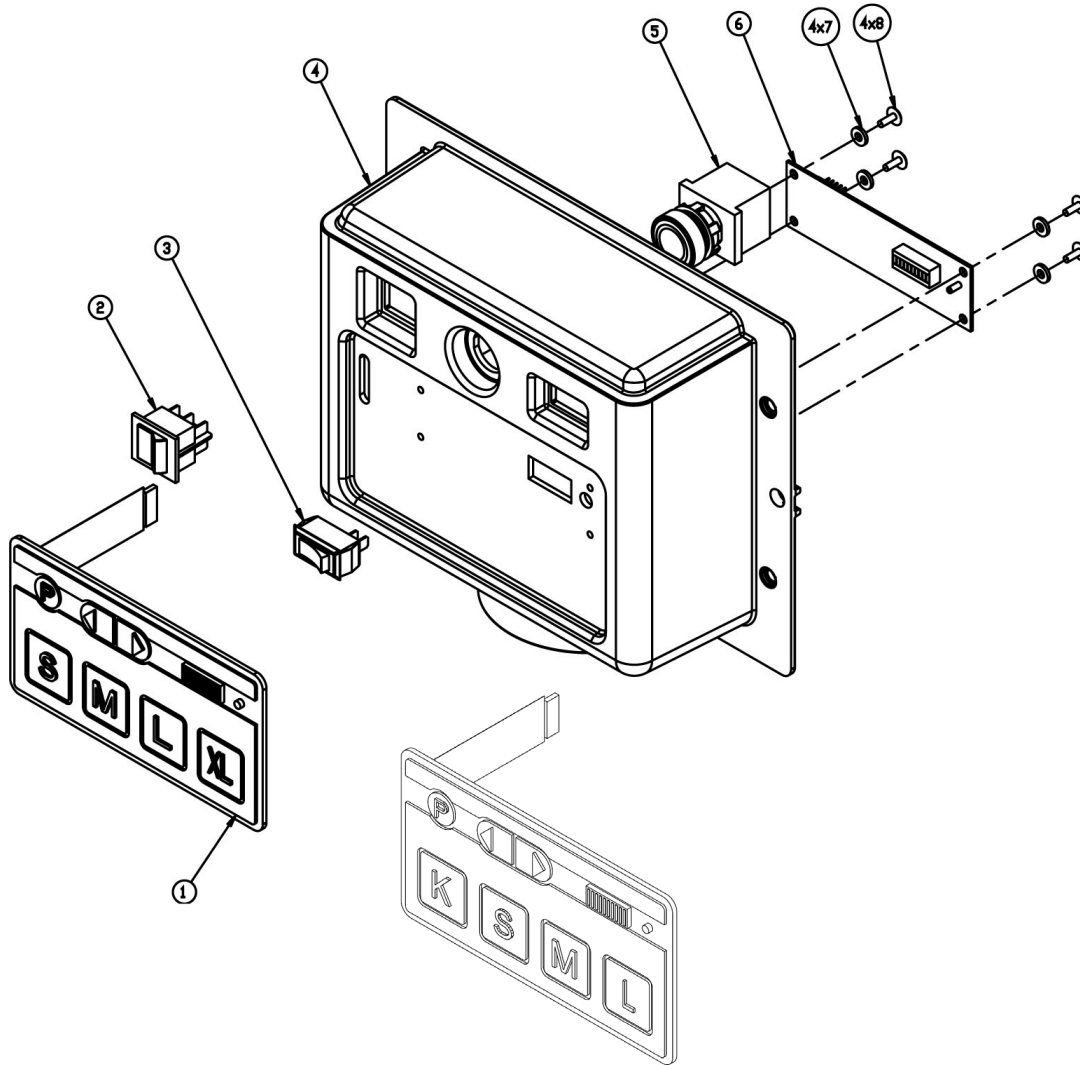


Figure 12.

Item No.	Part No.	Name
1	<a href="#">620045207</a>	Pad, Key IDC/Progate2 (S, M, L, XL)
	<a href="#">620073358</a>	Pad, Key IDC/Progate2 (K, S, M, L)
2	<a href="#">31934</a>	2230 Switch
3	<a href="#">A5810</a>	Switch, Rocker (SAN) HCL30

Item No.	Part No.	Name
4	<a href="#">620043256</a>	Keypad Control Box
5	<a href="#">620313267</a>	Switch, PB Lighted
6	<a href="#">620314840</a>	Control Board
7	<a href="#">71010</a>	Nylon Washer, Flat, #8
8	<a href="#">188117000</a>	Screw, SM 08 TA TRPH 12 S TZI

## SPLASH PANEL ASSEMBLY DETAIL

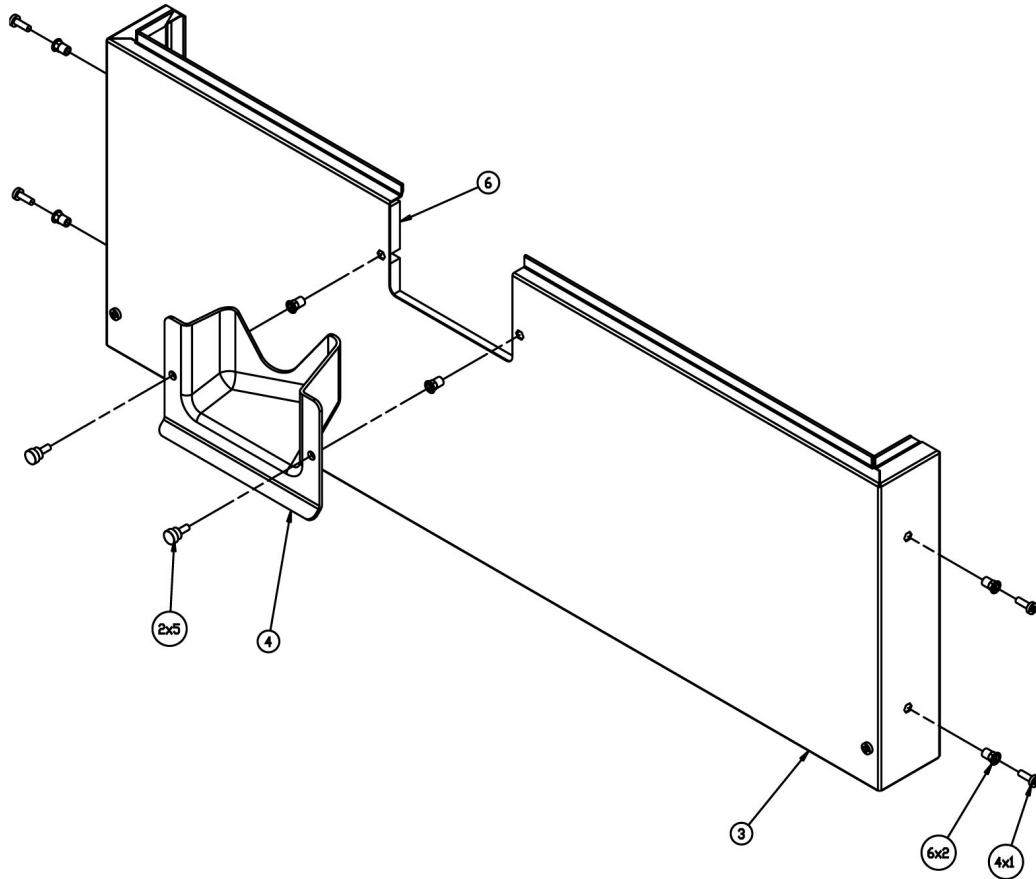


Figure 13.

Item No.	Part No.	Name
1	<a href="#">70178</a>	Screw, MA 08-32 TRPH 16 SS
2	<a href="#">70959</a>	8-32 Hex Nutsert
3	<a href="#">620053878</a>	Stainless Steel Panel

Item No.	Part No.	Name
4	<a href="#">620710809</a>	Shroud Cylinder
5	<a href="#">70188</a>	Screw, WG 08-32 KN 16
6	<a href="#">620711961</a>	Splash Panel Insulation



**Marmon Foodservice Technologies Inc.**

**[www.marmonfoodservice.com](http://www.marmonfoodservice.com)**

**[www.cornelius.com](http://www.cornelius.com)**