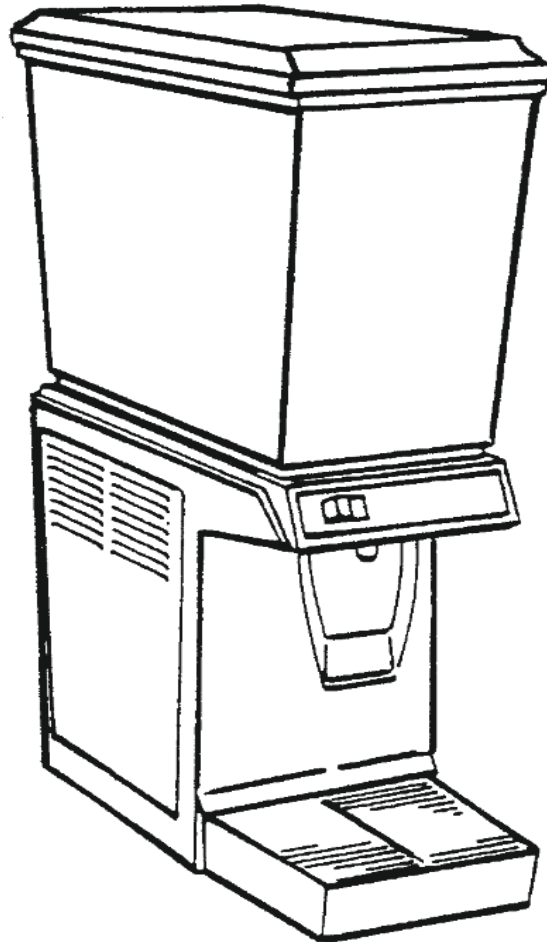




JS7 COLD BEVERAGE DISPENSER

ILLUSTRATED PARTS LIST



Release Date: June 06, 2001

Publication Number: 18486

Revision Date: July 02, 2013

Revision: G

Visit the IMI Cornelius web site at www.cornelius.com for all your Literature needs.

The products, technical information, and instructions contained in this manual are subject to change without notice. These instructions are not intended to cover all details or variations of the equipment, nor to provide for every possible contingency in the installation, operation or maintenance of this equipment. This manual assumes that the person(s) working on the equipment have been trained and are skilled in working with electrical, plumbing, pneumatic, and mechanical equipment. It is assumed that appropriate safety precautions are taken and that all local safety and construction requirements are being met, in addition to the information contained in this manual.

This Product is warranted only as provided in Cornelius' Commercial Warranty applicable to this Product and is subject to all of the restrictions and limitations contained in the Commercial Warranty.

Cornelius will not be responsible for any repair, replacement or other service required by or loss or damage resulting from any of the following occurrences, including but not limited to, (1) other than normal and proper use and normal service conditions with respect to the Product, (2) improper voltage, (3) inadequate wiring, (4) abuse, (5) accident, (6) alteration, (7) misuse, (8) neglect, (9) unauthorized repair or the failure to utilize suitably qualified and trained persons to perform service and/or repair of the Product, (10) improper cleaning, (11) failure to follow installation, operating, cleaning or maintenance instructions, (12) use of "non-authorized" parts (i.e., parts that are not 100% compatible with the Product) which use voids the entire warranty, (13) Product parts in contact with water or the product dispensed which are adversely impacted by changes in liquid scale or chemical composition.

Contact Information:

To inquire about current revisions of this and other documentation or for assistance with any Cornelius product contact:

www.cornelius.com

800-238-3600

Trademarks and Copyrights:

This document contains proprietary information and it may not be reproduced in any way without permission from Cornelius.

This document contains the original instructions for the unit described.

IMI CORNELIUS INC
101 Regency Drive
Glendale Heights, IL
Tel: + 1 800-238-3600

Printed in U.S.A.

JS7 COLD BEVERAGE DISPENSER

GENERAL ASSEMBLY

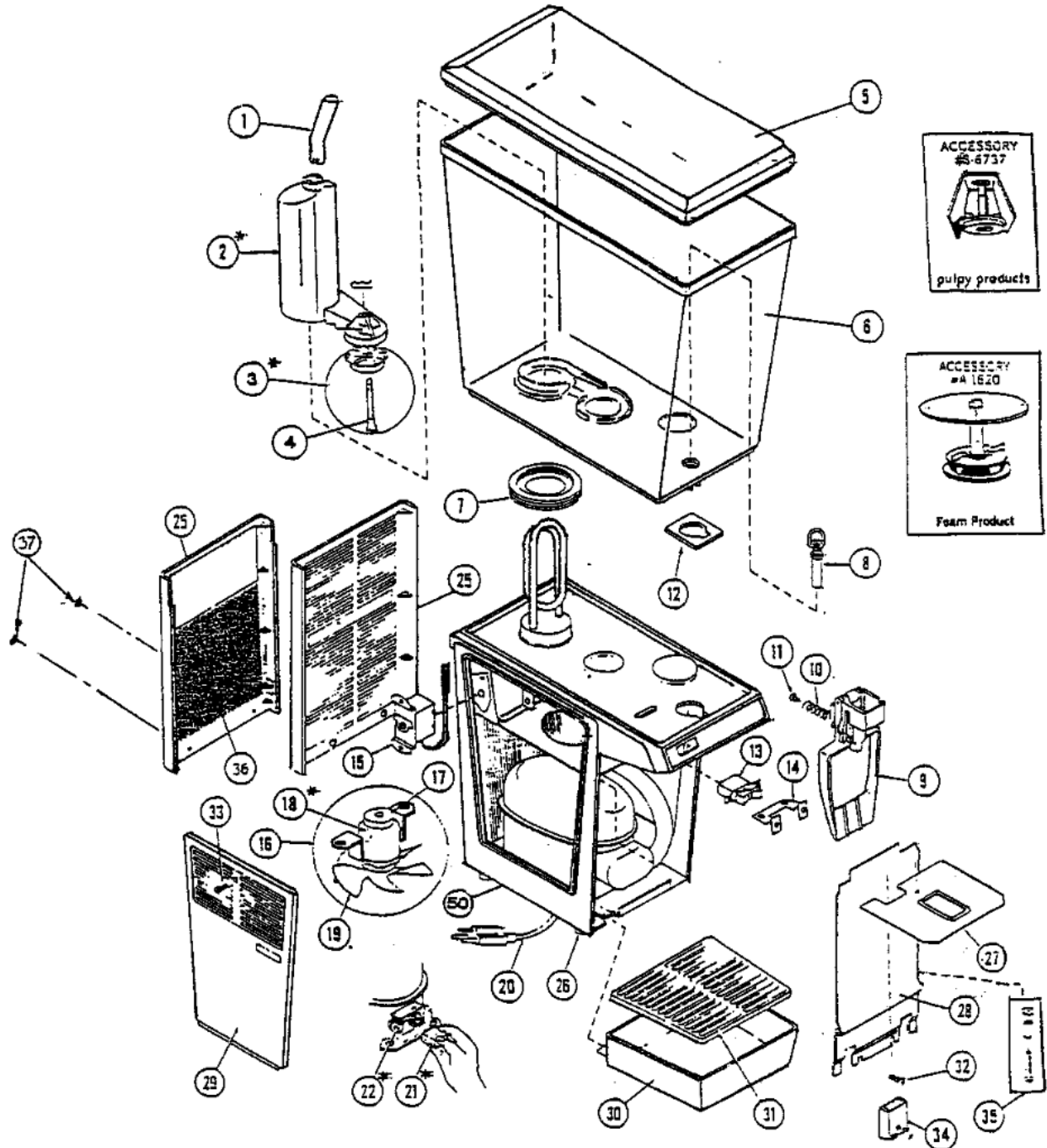


Figure 1.



Table 1. JS7 Cold Beverage Dispenser Components

Item No.	Part No.	Description
1	S6670	Spary Tube
	A1620	Impeller Circ Asy. Fin Flat Top (See Small Box on Drawing)
	S6737	Housing Foamed
2	S6677	Housing Pump Asy. 120V 60Hz
	S7046	Pump Asy. 230V 50Hz
3	A3058	Impeller and Support Pin 120V 60Hz
	A3192	Impeller w/Support Pin 230V 50Hz
4	A2549	Pin Support Impellar
5	S6676	Cover Bowl
6	S6562	Bowl
7	S6600	Gasket Bowl
8	S4206	Tube Pinch
9	S4381	Handle Push Asy.
	720721601	Label Push Handle
10	S4363	Tube Pinch Spring
11	S4576	Revit Spr Ret (Pack of 6)
12	S6901	Gasket Bowl Spout
13	18334	Switch On-Off
14	S8053	Brkt Mtg Switch
15	S6657	Thermostat
16	S6641	Spray Dr Asy.
17	S6750	Magnet Asy.
18	S6642	Spary Dr and Fan Mtr 120V 60Hz
	S6867	Spary Dr and Fan Mtr 230V 50Hz
19	18778	Blade Fan
20	S1249	Cord Serv 120V 60Hz
21	A8354	Kit Comp 1/6HP 120V 60Hz
	A8355	Kit Comp 120V 60Hz
	A8356	Kit Comp 208V 60Hz (No longer Available)
	S2220	Relay 230V 50Hz
	18388	Relay
	18567	Relay
22	S3067	Overld 120V 60Hz
	18390	Overld 230V 50Hz
	S4156	Overld 220V 60Hz (No Longer Available)
23		Item Not Used
24		Item Not Used
25	A7315	Panel Back
	620049598	Panel Back Black Top Blocked
26	S3159	Leg Set

Table 1. JS7 Cold Beverage Dispenser Components

Item No.	Part No.	Description
27	S7683	Switch and Cover Plate
28	S7680	Panel Front (Use Below Serial No. 315270)
	18710	Panel, Front (Used on Serial No. 315270 and Above)
29	S6793	Panel Side Asy.
	620050086	Frame Side Black
30	A7296	Drip Tray (Used below serial No. 315270)
	18818	Drip Tray (Used on Serial No. 315270 and above)
	620053700	Drip-Tray JT/JS/JW Black
31	A7292	Grille Drip Tray (Used on serial No. 315270 and above)
	A7310	Drip Tray Asy. (Used below Serial No. 315270)
	18747	Drip Tray Asy. (Used on Serail No. 315270 and above)
	620708554	Cup-Rest JT20 STND 07 .0X5.0 P
32	S4554	Screw 1/4 (Pack of 6)
33	A3060	Screw Side Clip
34	S7289	Drain Asy. Condensate
35	A2081	Spacer Cover Mtg
36	A4188	Filter Back Panel
37	A8793	Screw No. 10 X 3/8 (Pack of 6)
38		Item Not Used
39		Item Not Used
40		Item Not Used
41		Item Not Used
42		Item Not Used
43		Item Not Used
44		Item Not Used
45		Item Not Used
46		Item Not Used
47		Item Not Used
48		Item Not Used
49		Item Not Used
50	A7035	Frame, Side

IMI Cornelius Inc.
www.cornelius.com