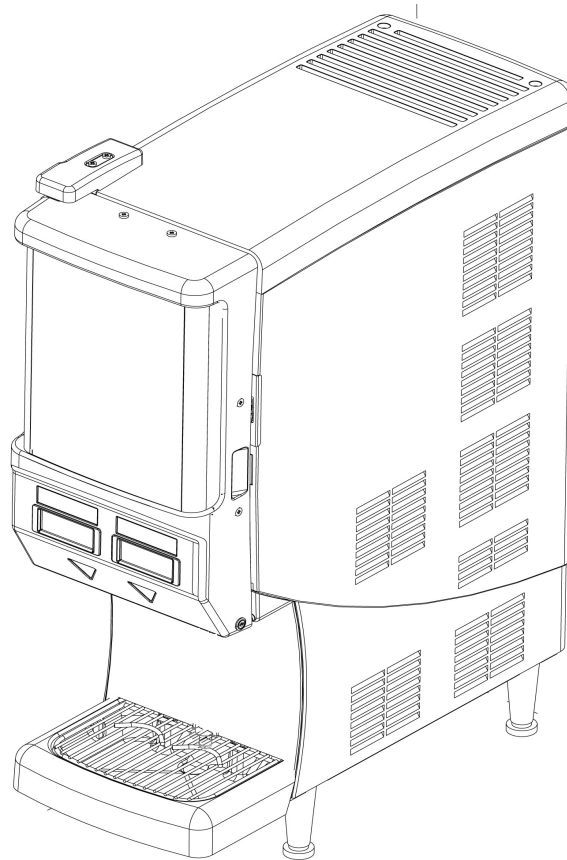




QUEST ELITE 2 FLAVOR (2FL)

ILLUSTRATED PARTS LIST



Release Date: December 7, 2022

Publication Number: 721Q25312IPL

Revision Date: December 7, 2022

Revision: B

Visit the Cornelius web site at www.cornelius.com for all your Literature needs.

The products, technical information, and instructions contained in this manual are subject to change without notice. These instructions are not intended to cover all details or variations of the equipment, nor to provide for every possible contingency in the installation, operation or maintenance of this equipment. This manual assumes that the person(s) working on the equipment have been trained and are skilled in working with electrical, plumbing, pneumatic, and mechanical equipment. It is assumed that appropriate safety precautions are taken and that all local safety and construction requirements are being met, in addition to the information contained in this manual.

This Product is warranted only as provided in Cornelius' Commercial Warranty applicable to this Product and is subject to all of the restrictions and limitations contained in the Commercial Warranty.

Cornelius will not be responsible for any repair, replacement or other service required by or loss or damage resulting from any of the following occurrences, including but not limited to, (1) other than normal and proper use and normal service conditions with respect to the Product, (2) improper voltage, (3) inadequate wiring, (4) abuse, (5) accident, (6) alteration, (7) misuse, (8) neglect, (9) unauthorized repair or the failure to utilize suitably qualified and trained persons to perform service and/or repair of the Product, (10) improper cleaning, (11) failure to follow installation, operating, cleaning or maintenance instructions, (12) use of "non-authorized" parts (i.e., parts that are not 100% compatible with the Product) which use voids the entire warranty, (13) Product parts in contact with water or the product dispensed which are adversely impacted by changes in liquid scale or chemical composition.

Contact Information:

To inquire about current revisions of this and other documentation or for assistance with any Cornelius product contact:

www.cornelius.com
800-238-3600

Trademarks and Copyrights:

This document contains proprietary information and it may not be reproduced in any way without permission from Cornelius.

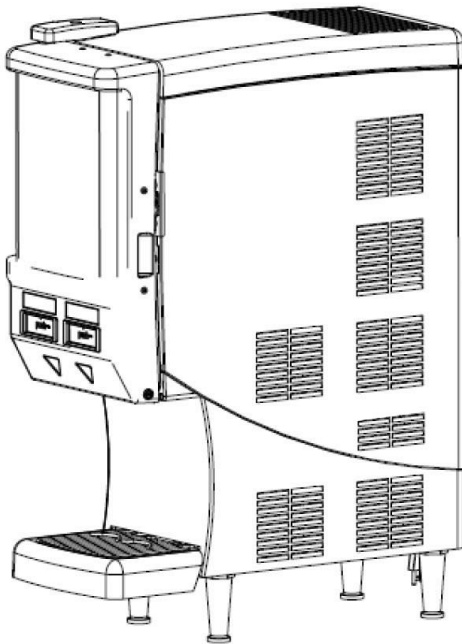
This document contains the original instructions for the unit described.

MARMON FOODSERVICE TECHNOLOGIES
355 KEHOE BLVD
CAROLSTREAM IL
TEL:+1-800-238-3600
Printed in U.S.A.

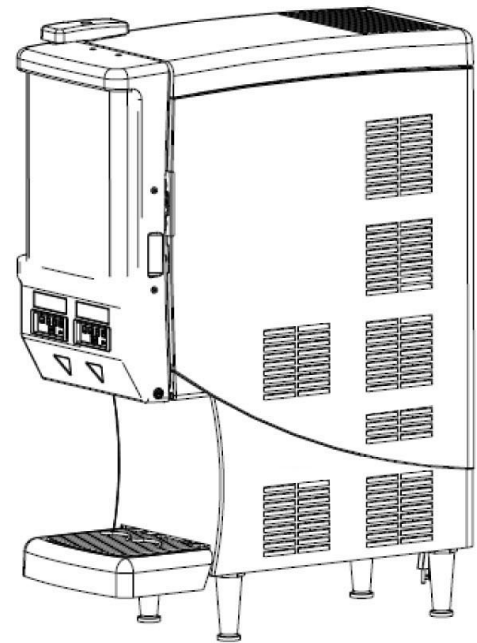
TABLE OF CONTENTS

| | |
|---|----|
| Quest Elite Units | 1 |
| 2000 Final Assembly | 2 |
| 2000 Door Assembly Reference (Pushbutton & Portion Control) | 3 |
| Cabinet Assembly Reference. | 4 |
| Refrigeration Frame Assembly | 5 |
| Platform Assembly Non Flush Non Soldout QST | 7 |
| Platform Assembly SLJ Flush | 9 |
| Platform Assembly QLT | 11 |
| Pump Assembly | 13 |
| Generic Bottle Assembly | 14 |
| Recommended Spare Parts Based on 10 Units | 15 |

QUEST ELITE UNITS



Unit with Pushbuttons



Unit with Portion Control

Figure 1.

Table 1. Top Quest Assembly

| Part No. | Description |
|--------------|--|
| 721Q12101DO | QST R290, SLJ FLUSH, 2FL, 120/60, PB ILLUMINATED DOLE. |
| 721Q25312KO2 | QSTE QLT 2FL 230/50 PC ILLUMINATED ME |
| 721Q24312KO2 | QSTE QLT 2FL 220/60 PC ILLUMINATED |
| 721Q02101FN2 | QSTE R290 SLJ NON FLUSH 2FL 115/60 |
| 721Q12101SW1 | QSTE R290 SLJ FLUSH 2FL 115/60 P, B ILLUM SPEEDWAY |
| 721Q02101JU2 | QSTE R290 SLJ NON FLUSH 2FL PB ILLUMINATED |
| 721Q12111JU1 | QSTE R290 SLJ FLUSH 2 FL 115/60 PC ILLUMINATED |
| 721Q25111JU1 | QSTE SLJ FLUSH 2FL 230/50 PB ILLUMINATED |
| 721Q25112JU1 | QSTE SLJ FLUSH 2FL 230/50 PC ILLUMINATED |
| 721Q25312JU1 | QSTE QLT 2FL 230/50 PC ILLUMINATED |

FINAL ASSEMBLY

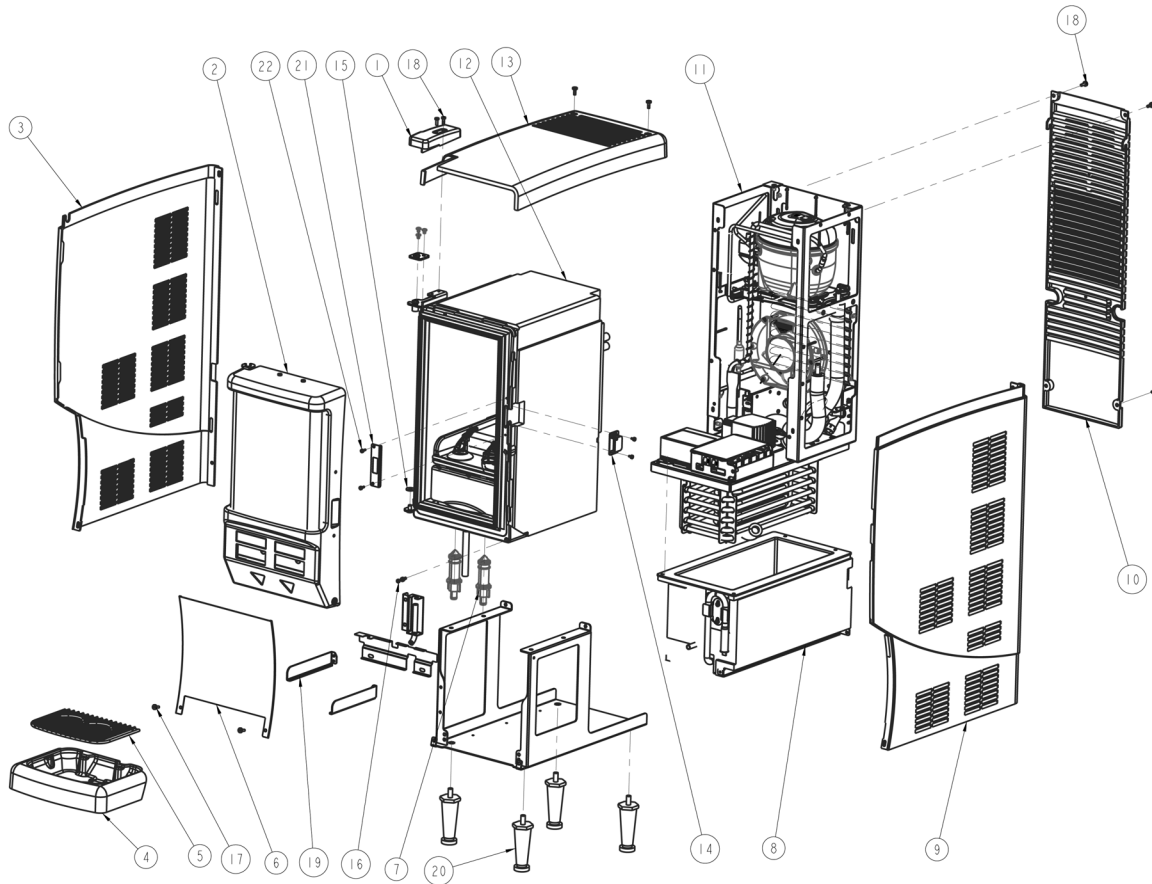


Figure 2.

Table 2. Final Assembly

| Item | Part No. | Description |
|------|---------------------------|--|
| 1 | 620047969 | Hinge Top Cover, Quest Elite 2/4 FL |
| 2 | 620067858 | Merchandsr Assy QST2 2FL FNG |
| | 620047744 | Merchndsr Assy Qst2 2FL |
| 3 | 620054876 | Side Panel LH. Quest Elite 2/4 FL |
| 4 | 620049855 | Drip Tray, Black W/Texture, Quest Elite 2 FL |
| 5 | 620708562 | Cup Rest W/LOC Quest 2 STND 8.1 X |
| 6 | 620048648 | Splash Panel Guard, Quest Elite 2 FL |
| 7 | 620715835 | Nozzle Static Mixer ASMB |
| 8 | 620049092 | Tank Foamed Qste Finish 2FL |
| 9 | 620054875 | Side Panel RH. Quest Elite 2/4 FL |
| 10 | 620050923 | Rear Panel, Quest 2 FL |

Table 2. Final Assembly

| Item | Part No. | Description |
|------|---------------------------|--------------------------------------|
| 13 | 620048898 | Top Panel W/Cut, QST Elite 2 FL |
| 14 | 720704004 | Door Catch, Female 2FL / 4FL |
| 15 | 620049566 | Washer- Hinge Bottom QST Elite 2/4FL |
| 16 | 620047782 | Pin Latch Cabinet Qst2 2FL/4FL |
| 17 | 0704105 | Screw MA #8-32 TRPH 16 SS |
| 18 | 70178 | Screw MA #8-32 TRPH 16 SS |
| 19 | 620047429 | Brkt, Drip Tray, Right, QST 2/4 FL |
| | 620047428 | Brkt, Drip Tray, Left, QST 2/4 FL |
| 20 | 37958 | Leg Level 4" |
| 21 | 720201440 | Brkt, Catch Strike Plate QST-NT |
| 22 | 720701405 | Screw TB D6-18 PAPH 12 SS |

DOOR ASSEMBLY REFERENCE (PUSHBUTTON & PORTION CONTROL)

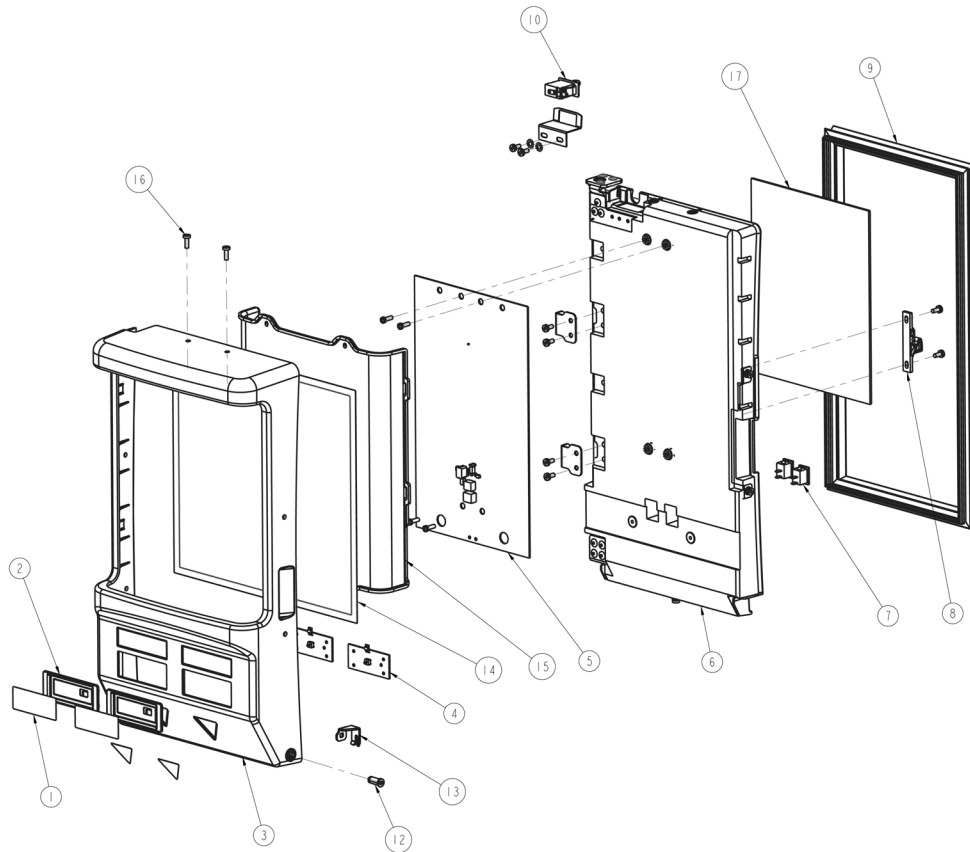


Figure 3.

Table 3. Door Assembly

| Item | Part No. | Description |
|------|---------------|--|
| 1 | 620047753 | Overlay Assembly, Pushbutton Control, Quest |
| | 620047750 | Overlay Assembly, Portion Control, Quest Elite, 2/4 |
| 2 | 620047751 | Bezel, Pushbutton, Silver, Quest Elite, 2/4 FL |
| | 620047968 | Bezel, Portion Control, Silver, QSTE, 2/4FL |
| 3 | 620047745 | Merchandiser, Quest Elite, 2FL |
| | 620067857 | Merchndsr QUEST ELITE 2FL LV |
| 4 | 45018001 | Board Pushbutton SLJ |
| | 49280001 | Board Portion Control SLJ |
| 5 | 620047679-100 | LED Quest PCBA Backlight Family |
| 6 | 620047754 | Assembly, Door Foamed, Quest Elite, 2FL |
| 7 | 620051427 | Switch Rocker Unmarkedv Qste 2/4FL |
| 8 | 720704005 | Latch Door Male |
| 9 | 620047759 | Seal, Door, Quest Elite, 2FL |
| 10 | 740002199 | Switch Cutout 10A MOM F6900A0 |
| 11 | 620049097 | Label Triangle Nozzle Indicator Mirror Finish QST2 2/4FL |
| 12 | 620047747 | Kit, Lock & Key Door Quest Elite 2FL/4FL |

Table 3. Door Assembly

| Item | Part No. | Description |
|------|-----------|--|
| 13 | 620047748 | Latch Mounting Lock |
| 14 | 620067962 | Lens Merchndsr QST2 2FL FNG |
| | 620047761 | Graphic, Generic, Quest Elite, 2FL |
| 15 | 620047760 | Lens, Quest Elite, 2FL |
| 16 | 70747 | Screw MA 8-32 TRPH 12 SS |
| 17 | 620052150 | Label Daily Flush & Cleaning Quest Elite Qt |
| | 620052151 | Label Daily Flush & Cleaning SLJ Flush |
| | 620052153 | Label Daily Cleaning Qste Non Flush |
| * | 629097007 | Kit 1, Flavor Strip Quest Elite, 2/4FL (Not shown) |
| | 629097008 | Kit 2, Flavor Strip Quest Elite, 2/4FL (Not shown) |
| * | 729011218 | Kit, Conversion PB to PC, QSTE 2FL(Not Shown) |
| | 729011219 | Kit, Conversion PC to PB, QSTE 2FL (Not Shown) |
| * | 620050925 | Label Rocker Switch Details, Qste,230v, 2/4fL (Not Shown) |
| * | 620066441 | Handle, Pull Pocket (used on FN2 Models only). (Not Shown) |

CABINET ASSEMBLY REFERENCE

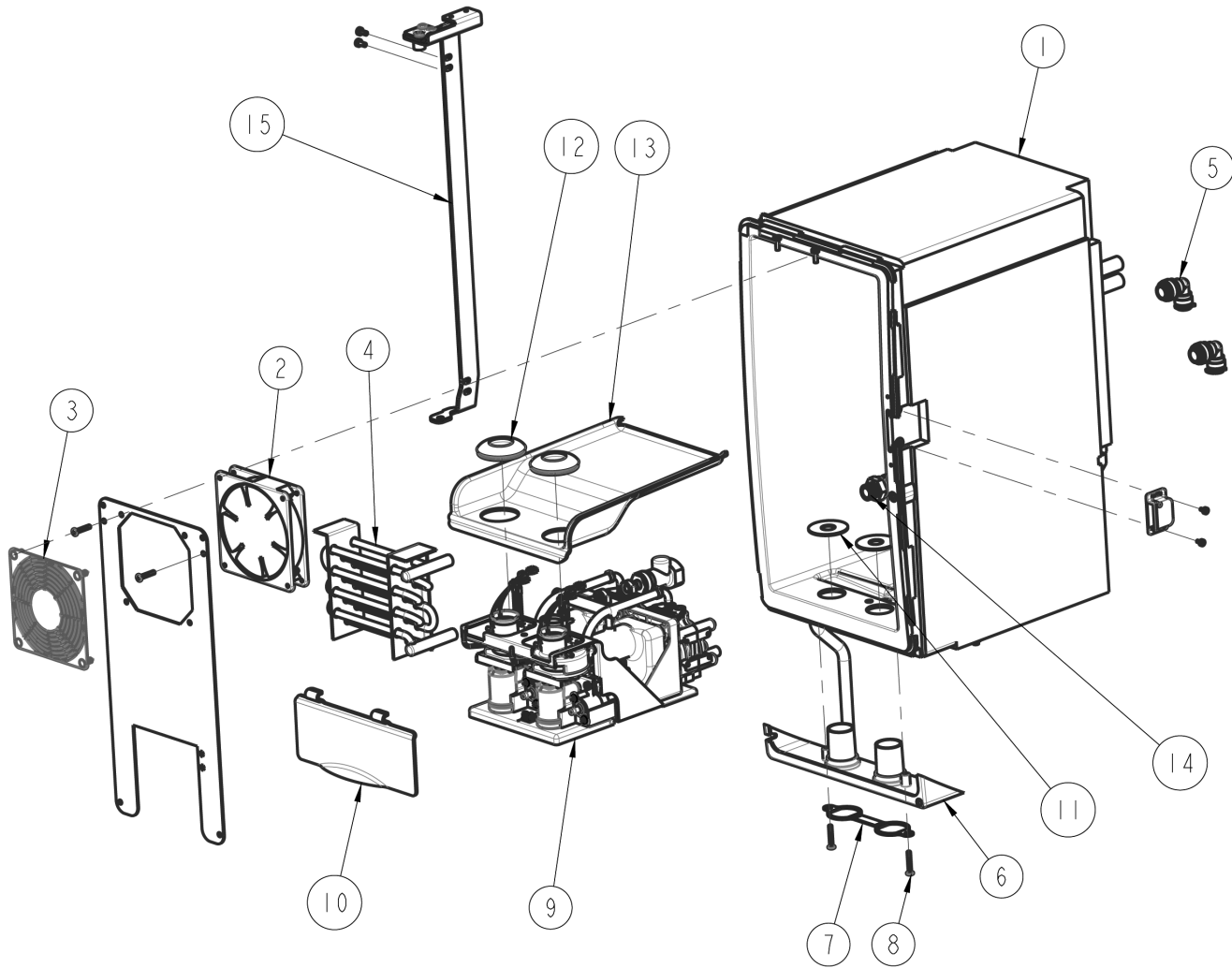


Figure 4.

Table 4. Cabinet Assembly

| Item | Part No. | Description |
|------|---------------------------|---|
| 1 | 620049842 | Cabinet Assy QST Elite 2FL Modified Drain |
| 2 | 620073748 | Fan Motor, Cabinet 115V/60HZ |
| | 620073749 | Fan Motor, Cabinet 230V/50HZ |
| 3 | 620047512 | Guard, Fan EBM 9000 & 4000 |
| 4 | 720506202 | Cabinet Heat Exchanger, Quest Elite, 2FL |
| 5 | 720509206 | Fitting Push, Union Elbow, 3/8"X 1/2" LG |
| 6 | 620047970 | Trim Bottom W/Insert, Quest Elite, 2FL |
| 7 | 720201479 | Bracket Dual Nozzle Block Quest |
| 8 | 07040007 | Screw Machine, #8-32 PAPH 28SS |

Table 4. Cabinet Assembly

| Item | Part No. | Description |
|------|---------------------------|--------------------------------------|
| 9 | 720401801X | Platform Assembly, Quest 4 SLJ Flush |
| | 620073301 | Platform Assembly SLJ Flush |
| | 620073691 | Platform Assy, NO SOLD OUT, QR290 |
| 10 | 720532102 | Platform Door, Quest 2FL |
| 11 | S3354 | Gasket Sealing Bowl Spout |
| 12 | 720703301 | Grommet, Seal Platform Cover Quest |
| 13 | 720201510 | Shelf, Cabinet, Quest 2FL |
| 14 | 720200206 | Fitg Insrt 3/8"NPT PP |
| 15 | 620047775 | Brkt Hinge QST2 2FL/4FL |

REFRIGERATION FRAME ASSEMBLY

P/N 620072345

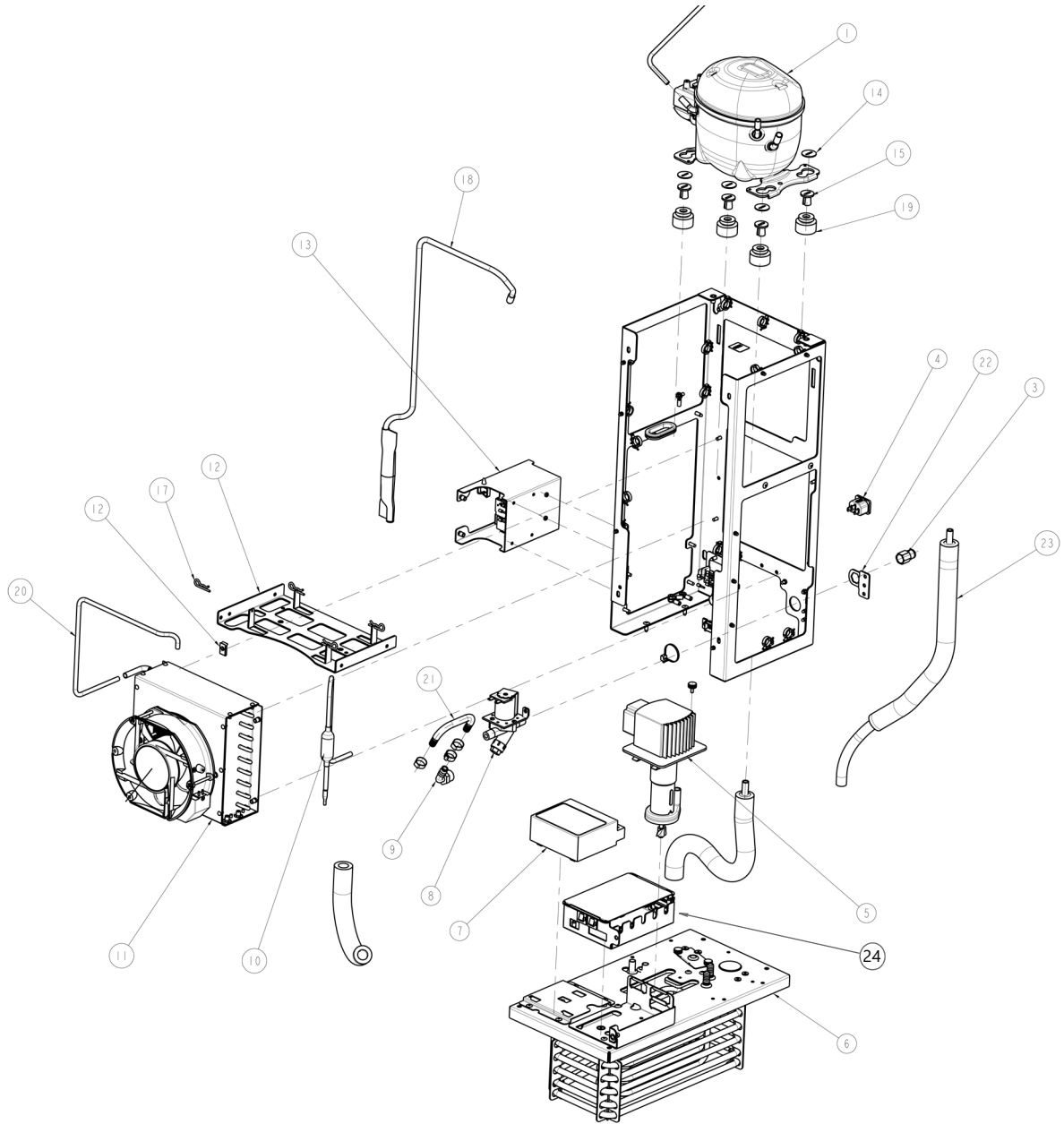


Figure 5.

Table 5. Refrigeration Frame Assembly

| Item | Part No. | Description |
|------|---------------------------|--|
| 1 | 620074101 | Kit Comp 115V/60HZ QST 2FL, R290 |
| | 629098024 | Kit Comp 230V/50HZ QST 2FL, R290 |
| 3 | 620048659 | Adapter, 1/4" FPT x 3/8" MF |
| 4 | 620049959- 001 | Cord Power Stra8ight IEC60320-C13 Family |
| | 620049959- 003 | Cord, Service 230V |
| | 620049959- 007 | Cord Serv 200V 60 HZ IEC 60906-1 |
| | 620049959- 008 | Cord Pwr ME Version QSTE 2/4FL |
| | 620049959- 009 | Cord PWR Qste 2/4fl Cei-16/Vii Italian Plug |
| 5 | 620042742 | Agitator Motor Assembly 115V |
| | 620042741 | Agitator Motor Assembly 230V/50 |
| 7 | 620071645 | Control Ice Bank Global 120/240V SMPS |
| 8 | 620047891 | Valve Water W/Solenoid, Quest Elite, ? 2/4FL |
| 9 | 620049857 | Reducer, Elbow, 1/4" FPT x 3/8" Barb |
| 10 | 620072238 | 2 Cubic Inches, Filter Dryer |
| 11 | 620073088 | Condenser Fan Motor 115V 60Hz |
| | 620073721 | Condenser Fan Motor 230V 50/60Hz |
| 12 | 6775 | Clip Tin CB14-832-4 |
| 13 | 620072316 | 27VDC PSU |
| 14 | 9649 | Washer Comp Mount |
| 15 | 317781000 | Bushing, Split |
| 17 | 08474 | Clip Spring |
| 18 | 620073083 | Suction HX Assembly, Quest Elite 2FL |
| 19 | 620049560 | Grommet Ae Comp QST2 |
| 21 | 49034 | Tube Tygon 3/8ID X 5/8 |
| 22 | 620054202 | Brkt Solenoid Quest Elite 2/4FL |
| 24 | 620072324 | Box, Electric Assy. QUEST |

PLATFORM ASSEMBLY NON FLUSH NON SOLD-OUT QST
P/N 620073302

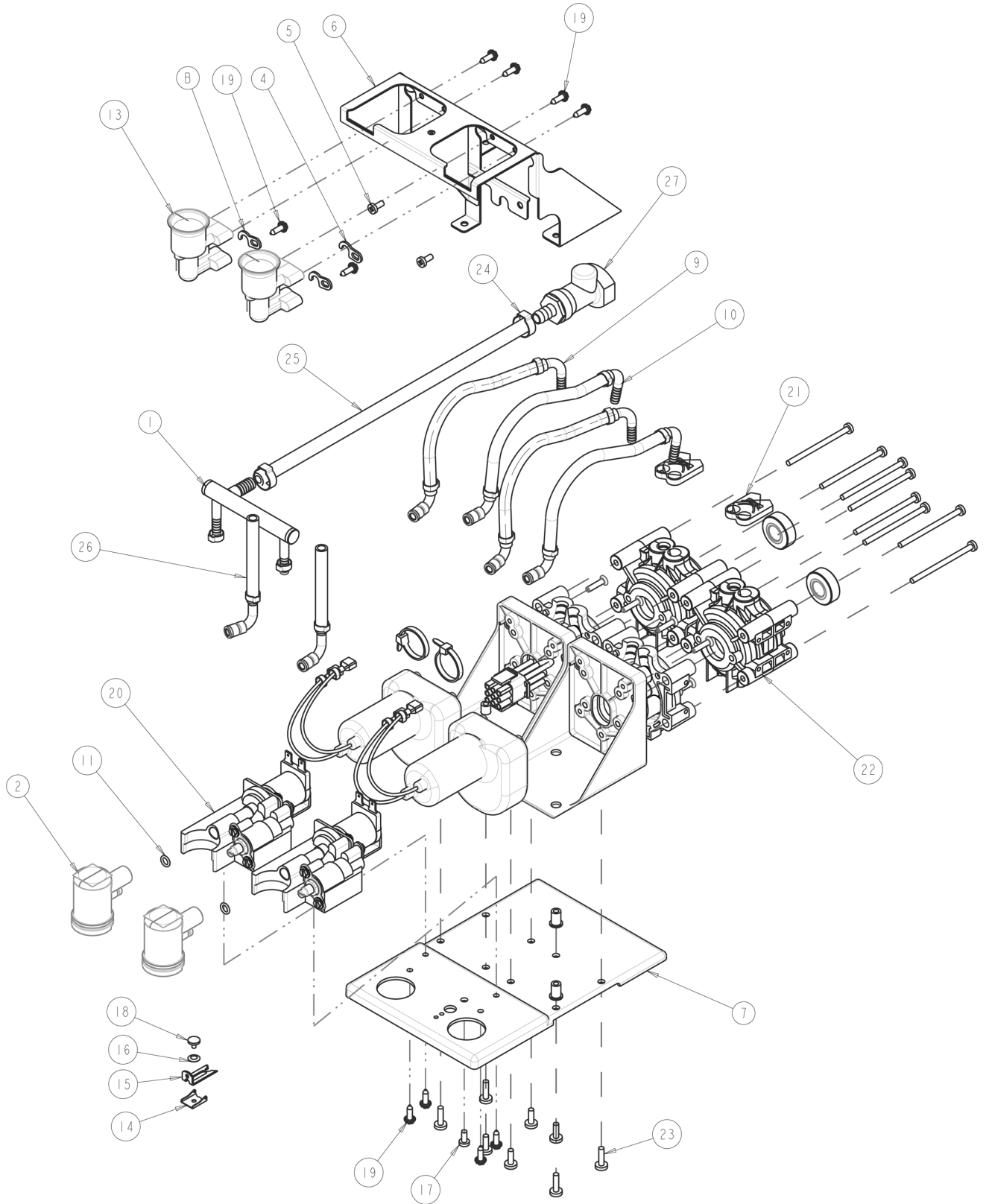


Figure 6.



Table 6. Platform Assy Non Flush Non Sold-Out QST

| Item | Part No. | Description |
|------|---------------------------|------------------------------|
| 1 | 720509314 | Manifold Water In QST |
| 2 | 720500033 | Chamber Mixing QST4 |
| 4 | 724558601 | Clip Tube Retainer QST |
| 5 | 70171 | Screw MA 08-32 TRPH 12 SS |
| 6 | 720201433 | Brkt Asy Platform SLJ QST-NT |
| 7 | 720202704 | Base Platform SLJ QST IHOP |
| 9 | 720509103 | Tube Asy Concentrate Out QST |
| 10 | | Tube Asy Concentrate In QST |
| 11 | 317015000 | O-RING 239ID 070CS 70DU EY-P |
| 13 | 620046159 | Adapter Caddy No Flush QST |
| 14 | 45046 | Latch #2 Medium SS |
| 15 | 45047 | Guide Latch #2 Med |
| 16 | 45048 | Washer Latch #2 Med |
| 17 | 0704105 | Screw MA 08-32 TRPH 16 SS |
| 20 | 45508200 | Valve Block Asy QLT Generic |
| 21 | 48195006 | Clamp Hose .470ID |
| 22 | 45185X | Pump & Motor Asy 3-Roller |
| 23 | 0704107 | Screw #8-32 X 5/8 THMS SS |
| 25 | 49034 | Tube TYGON 3/8 IDX 5/8 |
| 26 | 720509104 | Tube Asy Water Valve Inlet |
| 27 | 720720498 | Coupling In-line 3/8 ID HC35 |
| * | 620073390 | No-Sold-Out Harness |

PLATFORM ASSEMBLY SLJ FLUSH
P/N 620073301

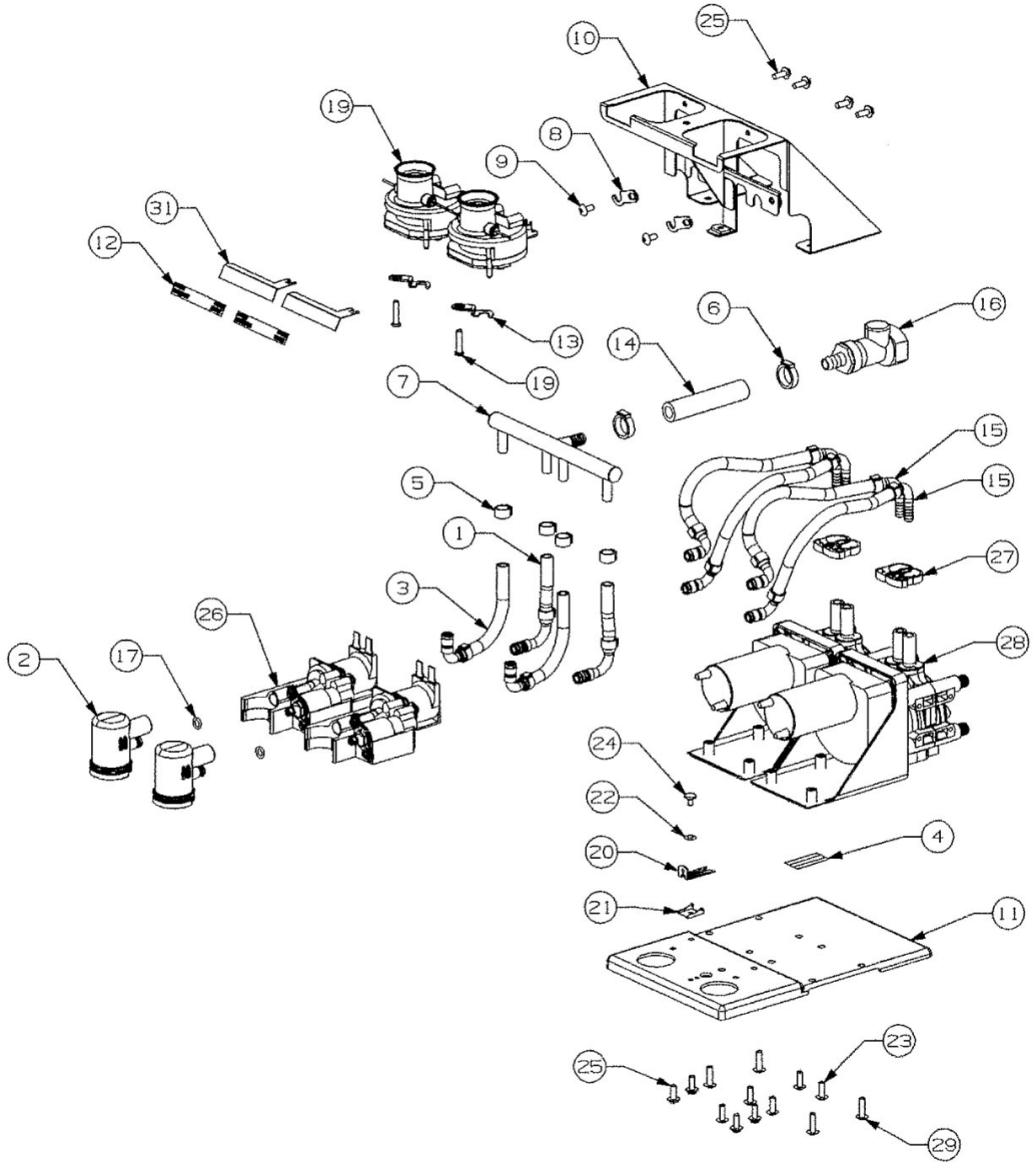


Figure 7.

Table 7. Platform Assembly SLJ Flush

| Item | Part No. | Description |
|------|---------------------------|--|
| 1 | 720509104 | Tube Assembly Water Valve Inlet |
| 2 | 720500033 | Chamber Mixing QST4 |
| 3 | 720509105 | Tube Assembly Water Rinse Inlet |
| 5 | 309854000 | Clamp Oetr 413Open STPLS #10.5 |
| 6 | 30985200 | Clamp Oetr 669 Open STPLS #17.0 |
| 7 | 720509304 | Manifold Water SS Quest 4 |
| 8 | 724558601 | Clip Tube Retainer QST |
| 9 | 70171 | Screw Machine 8-32 TRPH12SS |
| 10 | 720201433 | Bracket Assembly Platform SLJ QST IHOP |
| 11 | 720202704 | Base Platform SLJ QST IHOP |
| 12 | 7245072 | Label Dispense/Flush QST |
| 13 | 720704207 | Washer Hold Down Hook RH Turn QST |
| 14 | 49034 | Tube TYGON 3/8 IDX 5/8 |
| 15 | 720509103 | Tube Assembly Suction Quest |
| 16 | 720720498 | Coupling In-line 3/8 ID HC35 |
| 17 | 99010 | O-ring 239 ID 070CS 60DU BU-N |
| 18 | 45026X | Adapter Bottle Asy |
| 19 | 45060001 | Adapter Bottle Assembly SL DIS P |
| 20 | 45046 | Latch #2 Medium SS |
| 21 | 45047 | Guide Latch #2 MED |
| 22 | 45048 | Washer Latch #2 MED |
| 23 | 0704105 | Screw MA 08-32 TRPH 16 SS |
| 24 | 720800077 | Rivet Platform Base QST |
| 25 | 49478001 | Screw Tc 08-18 Hxsl 14 Ss 25 |
| 26 | 45508200 | Valve Block AS QLT Generic |
| 27 | 48195006 | Clamp Hose.470 ID |
| 28 | 45185X | Pump & Motor Assembly 3-Roller |
| 29 | 0704107 | Screw #8-30 2X 5/8 THMS SS |
| 30 | 720501706 | Cap Plug.093 ID X 50 Long 1/2 inch |
| 31 | 720201611 | Plate Support Bottle Adapter QST/QLT |

PLATFORM QLT
P/N 720522100X

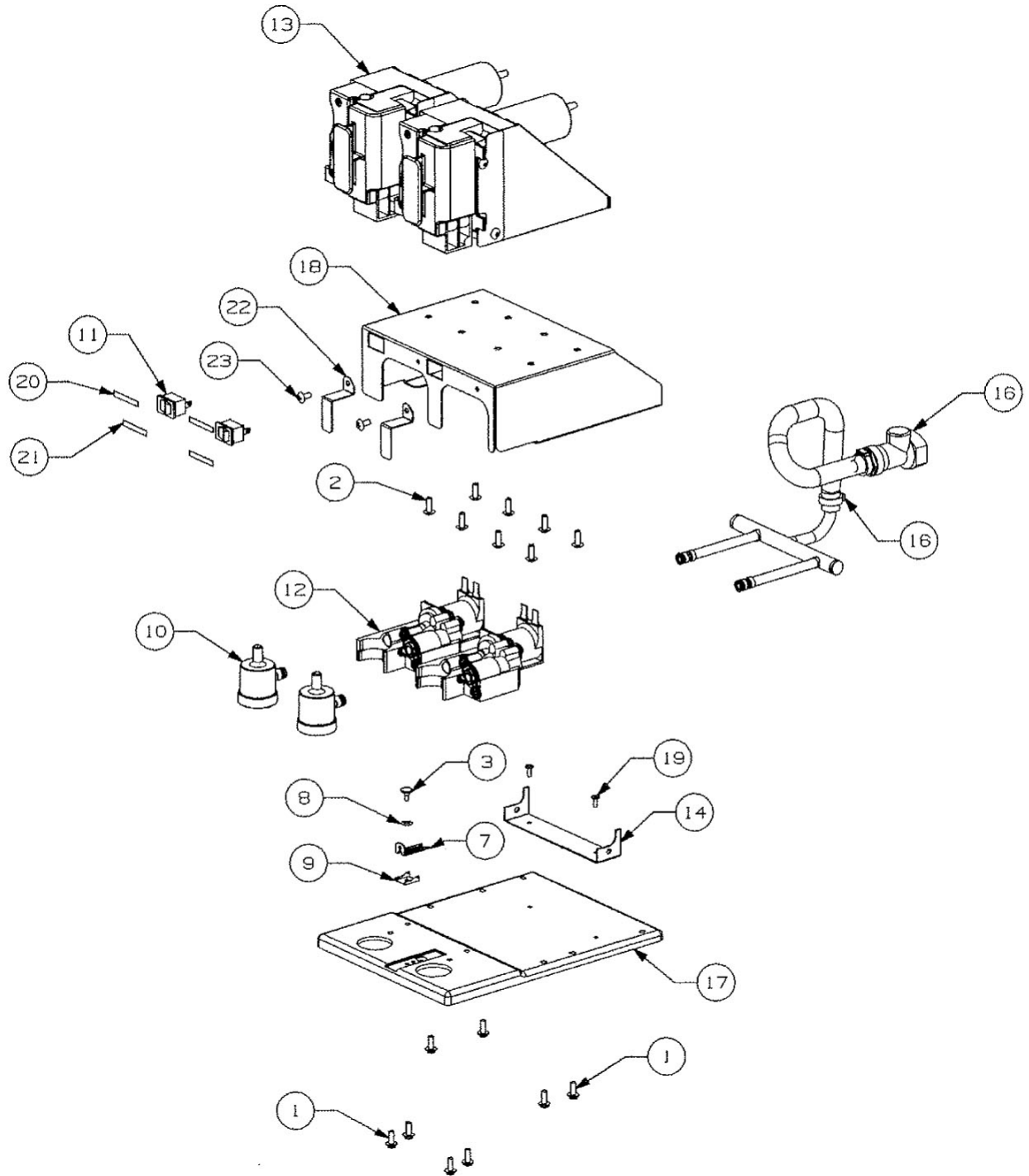


Figure 8.

Table 8. Platform Assembly QLT

| Item | Part No. | Description |
|------|---------------------------|---|
| 1 | 49478001 | Screw Tc 08-18 Hxsl 14 SS 25 |
| 2 | 0704105 | Screw MA #8-32 TRPH 16SS |
| 3 | 720701001 | Rivet Platform Base Quest |
| 4 | 11877 | Jumper Assembly Read Flush QLT 180(Not Shown) |
| 5 | 11887 | Jumper Assembly Red Flush Switch AL(Not Shown) |
| 6 | 11888 | Harness Assembly Platform SLJT1000-2(Not Shown) |
| 7 | 45046 | Latch #2 Medium SS |
| 8 | 45047 | Guide Latch #2 MED |
| 9 | 45048 | Washer Latch #2 MED |
| 10 | 45364001X | Chamber Mixing Assembly QLT 180 Day |
| 11 | 620051427 | Switch Rocker Sealed |
| 12 | 45508200X | Valve Block Assembly QLT Generic |
| 13 | 45514100X | Pump Assembly QLT 180 |
| 14 | 45542 | Manifold Bracket QLT 180 2 FLAV |
| 15 | 55145 | Wrap, Tye 5 1/2 inch Long (Not Shown) |
| 16 | 720509312 | Manifold Assembly Water QLT/QST2 |
| 17 | 720520301 | Base Platform QLT QST2 |
| 18 | 720522011 | Bracket Support Platform QST2 |
| 20 | 7245541 | Label Run Flush QLT 180 |
| 21 | 7245821 | Label Clean |
| 23 | 07115001 | Screw TF 8-32 TRPH 12SS |

PUMP ASSEMBLY
P/N 45185X

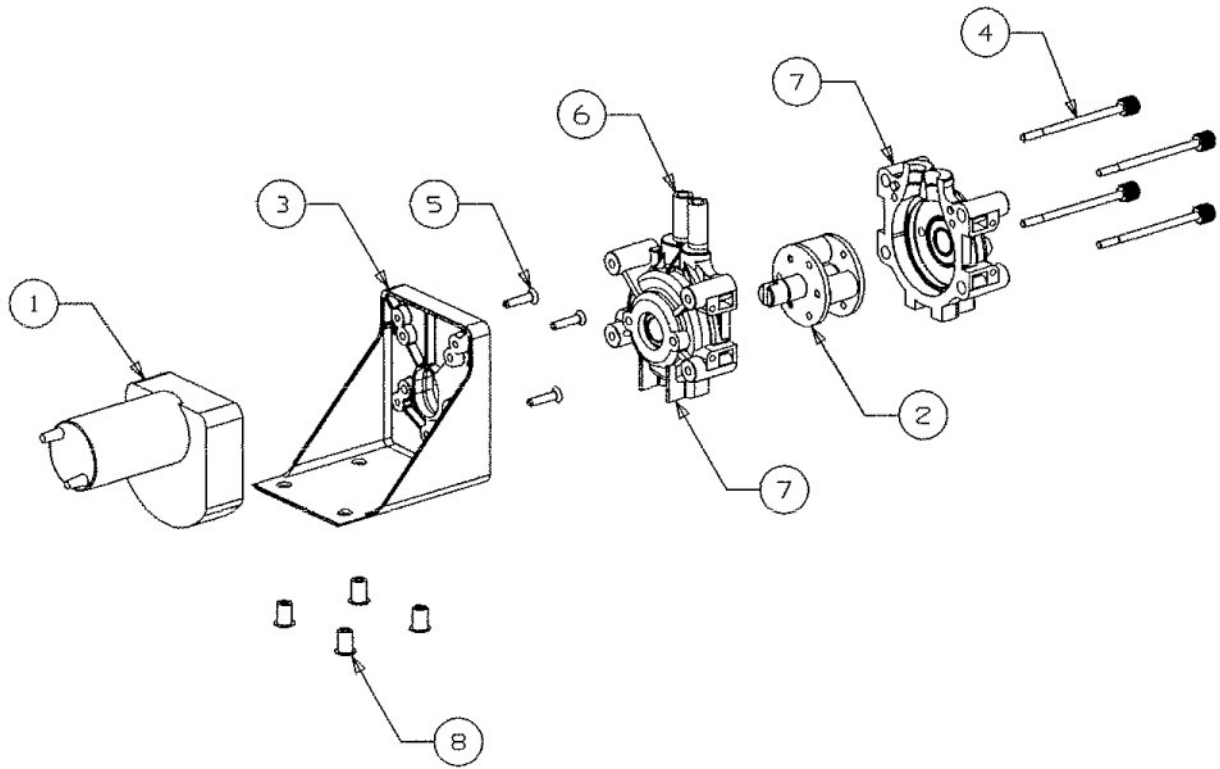


Figure 9.

Table 9. Pump Assembly

| Item | Part No. | Description |
|------|--------------------------|--|
| 1 | 45016001 | Pump Gear Motor |
| 2 | 45728001 | Rotor Assembly (Thick Wall) |
| 3 | 45050 | Pump & Motor Mounting Block |
| 4 | 70555 | Screw MA 08-32 TRPH 84 SS |
| 5 | 0702905 | Screw #8X3/4" FHMS |
| 6 | 45098 | Pump Tubing Kit (Pump Tubing, Clamps & Instructions) |
| * | 45078 | Pump Assembly (Items 2 & 7) |
| 7 | 45727 | Pump Body, Front/Rear |
| * | 70730 | Nut Well #8-32 |
| * | 0704107 | Screw #8-32 x 5/8 THMS SS |

GENERIC BOTTLE ASSEMBLY

P/N [720401107](#)

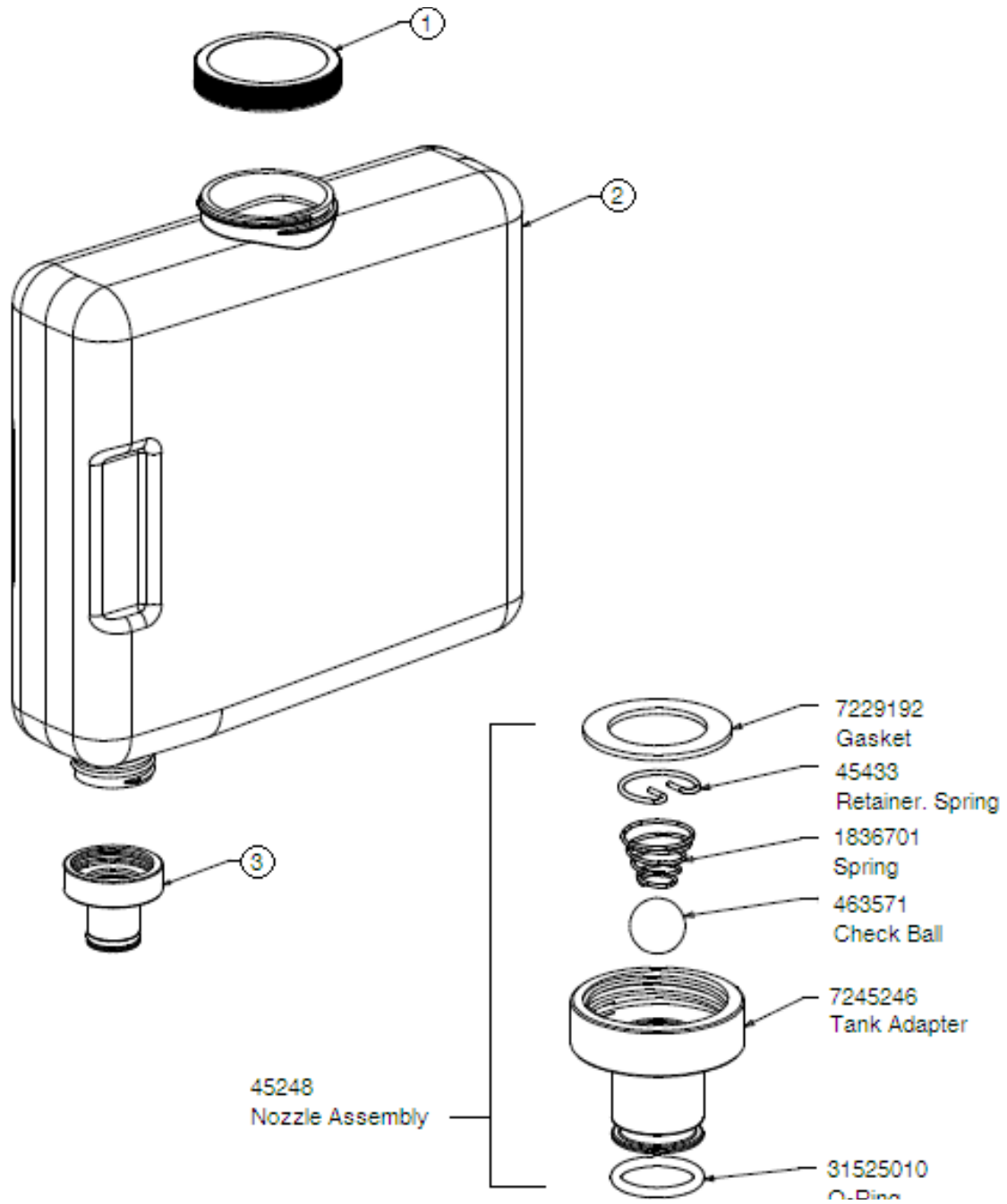


Figure 10.

Table 10. Generic Bottle Assembly

| Item | Part No. | Description |
|------|---------------------------|-----------------------|
| 1 | 720202010 | Cap 400 Series QST |
| 2 | 720401106 | Bottle Refillable QST |

Table 10. Generic Bottle Assembly

| Item | Part No. | Description |
|------|-----------------------|--------------------------|
| 3 | 45248 | Adapter Assembly, Bottle |



RECOMMENDED SPARE PARTS BASED ON 10 UNITS

| Part No. | Description | Qty |
|-----------|--|-----|
| 620073088 | Condenser Fan Motor 115V 60Hz | 1 |
| 620073721 | Condenser Fan Motor 230V 50/60Hz | 1 |
| 18367 | Spring, Coil S/S - water solenoid | 2 |
| 620072316 | Power Supply 27V RPS 120S | 1 |
| 45098 | Pump tubing kit | 4 |
| 45432 | Inner door switch | 1 |
| 7245699 | Flow control / bonnet assembly | 1 |
| 620710107 | Rubber gasket | 1 |
| 19695001 | Guide, water solenoid | 1 |
| 31525037 | O-ring - dispensing nozzle | 1 |
| 45016001 | Pump gear motor | 2 |
| 45091001 | Main water solenoid valve | 1 |
| 45728001 | Pump rotor assembly | 1 |
| 48520001 | Coil, 24VDC, valve block | 1 |
| 48979103 | Spool & sleeve Assy w/ o-ring | 2 |
| 59328001 | Fuse, 6.25 amp | 1 |
| 620071645 | Global Ice Bank Control 120/230V | 1 |
| 720500014 | Drip tray grill | 1 |
| 720500104 | Drip tray grill | 1 |
| 720500710 | Door gasket | 1 |
| 720502800 | Agitator motor | 1 |
| 620073748 | Fan Motor, Cabinet 115V/60HZ | 2 |
| 620073749 | Fan Motor, Cabinet 230V/50HZ | 2 |
| 720508801 | Push button control board | 1 |
| 720508802 | Portion control board | 2 |
| 702511606 | Ballast Board | 1 |
| 720703502 | Foam gasket , lower door | 1 |
| 620073089 | Cond Quest Elite Pro R290 | 1 |
| 548000278 | Board Door Breakout Control | 1 |
| 620072238 | Dryer R290 2.36G 1/4ODF | 1 |
| 620074101 | Compressor Kit Assembly Quest R290 2FL | 1 |
| 620072324 | System Controls E-Box QST R230 | 1 |
| 620073390 | Harn Motor and Valve Ctrl-NO SOLD | 1 |
| 620049320 | Harn Combined Compressor Condenser | 1 |
| 620072330 | Harn E-Box Power Input and Water | 1 |
| 620072331 | Harn E-Box to Cabinet | 1 |
| 620072334 | Harn Merchandiser Power | 1 |
| 620072335 | Harn Door On/Off | 1 |
| 620072336 | Harn P2P Dispense Keypad | 1 |
| 620072337 | Harn Pump Deck SOLD OUT | 1 |
| 71860290 | Armature Solenoid | 1 |
| 620715835 | Nozzle Static Mixer Asm | 1 |
| 720704005 | Latch Door Male | 1 |

