



---

## VIPER (E) LOW OVERRUN

### Illustrated Parts



Release Date: October 30, 2015  
Publication Number: 621360241LOEWIP  
Revision Date: December 05, 2017  
Revision: E

Visit the Cornelius web site at [www.cornelius.com](http://www.cornelius.com) for all your Literature needs.

---

The products, technical information, and instructions contained in this manual are subject to change without notice. These instructions are not intended to cover all details or variations of the equipment, nor to provide for every possible contingency in the installation, operation or maintenance of this equipment. This manual assumes that the person(s) working on the equipment have been trained and are skilled in working with electrical, plumbing, pneumatic, and mechanical equipment. It is assumed that appropriate safety precautions are taken and that all local safety and construction requirements are being met, in addition to the information contained in this manual.

This Product is warranted only as provided in Cornelius' Commercial Warranty applicable to this Product and is subject to all of the restrictions and limitations contained in the Commercial Warranty.

Cornelius will not be responsible for any repair, replacement or other service required by or loss or damage resulting from any of the following occurrences, including but not limited to, (1) other than normal and proper use and normal service conditions with respect to the Product, (2) improper voltage, (3) inadequate wiring, (4) abuse, (5) accident, (6) alteration, (7) misuse, (8) neglect, (9) unauthorized repair or the failure to utilize suitably qualified and trained persons to perform service and/or repair of the Product, (10) improper cleaning, (11) failure to follow installation, operating, cleaning or maintenance instructions, (12) use of "non-authorized" parts (i.e., parts that are not 100% compatible with the Product) which use voids the entire warranty, (13) Product parts in contact with water or the product dispensed which are adversely impacted by changes in liquid scale or chemical composition.

### **Contact Information:**

To inquire about current revisions of this and other documentation or for assistance with any Cornelius product contact:

**[www.cornelius.com](http://www.cornelius.com)  
800-238-3600**

### **Trademarks and Copyrights:**

This document contains proprietary information and it may not be reproduced in any way without permission from Cornelius.

This document contains the original instructions for the unit described.

CORNELIUS INC  
101 Regency Drive  
Glendale Heights, IL  
Tel: + 1 800-238-3600

Printed in U.S.A.

---

# TABLE OF CONTENTS

Cladding Assembly .....	1
Foam Pack/Drive Assembly .....	2
Faceplate Assembly .....	3
Motorman Valve Assembly .....	4
Product Delivery System .....	5
Refrigeration System .....	6
E-Box Assembly .....	7
Merchandiser Assembly (Tall) .....	9
Merchandiser Assembly (Modified Short) .....	10



# CLADDING ASSEMBLY

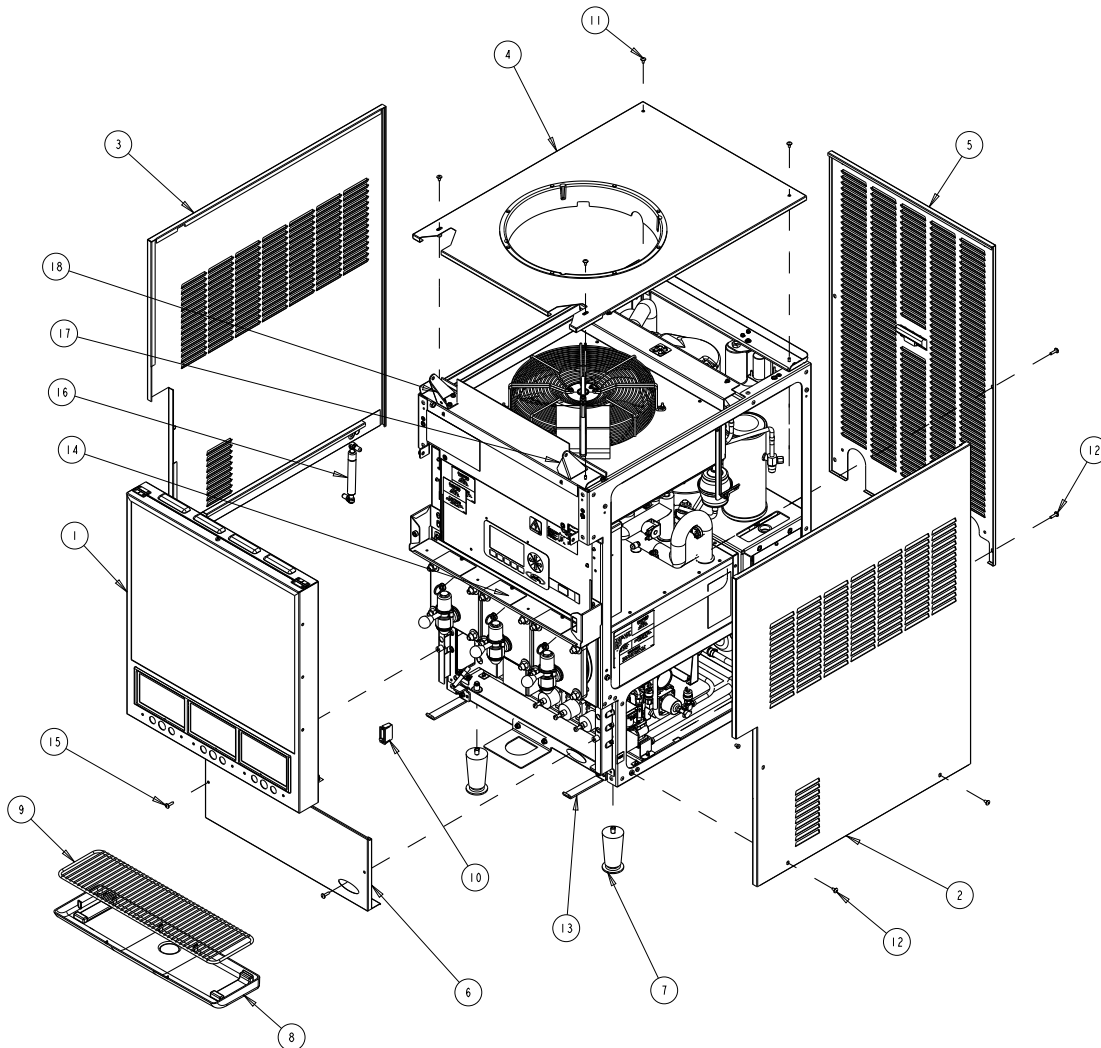


Figure 1. Cladding Assembly

Table 1. Cladding Assembly

Item	Part No.	Description
1	620521771	Merchandiser Assy Tall (Figure 8.)
	620048346	Merchandiser Assy short (Figure 9.)
2	620054961	Side panel Right
3	620051960	Side panel left
4	620048343	Top Panel 3FL -SS(Tall)
	620049768	Top Panel 3FL -SS(Short)
5	620053955	Rear Panel 3FL - SS
6	629097010	Kit-Splash Panel 3FL
	629096963	Kit Panel Splash 3fl Extended
7	70970	Leg, 4 inch
8	620043016	Drip Tray -3FL
9	620043018	Cup Rest -3FL
10	560001783	Latch Door 2 Piece PLSTC

Table 1. Cladding Assembly

Item	Part No.	Description
11	620045298	Screw 10-32 X 3/4" Type F TRPH STZ1
12	620045297	Screw 10-32 X 3/4" Type F TRPH STZ1
13	620054014	Brkt Mtg Tray Drip Vpr
14	620042842	Diffuser Downlight Merchndsr Viper
15	318308000	Screw TR 10-32 Paph 32 SS HRD
16	620054953	Strut Gas 3fl Viper
17	620053881	Brkt Hinge Mtg Right
18	620053880	Brkt Hinge Mtg Left
*	629097020	Rear Merchandiser (Optional-Not Shown)
*	620043063	Cord service 230v 30a
*	629096928	Kit-Install 3B

\* Indicates Not Shown

# FOAM PACK/DRIVE ASSEMBLY

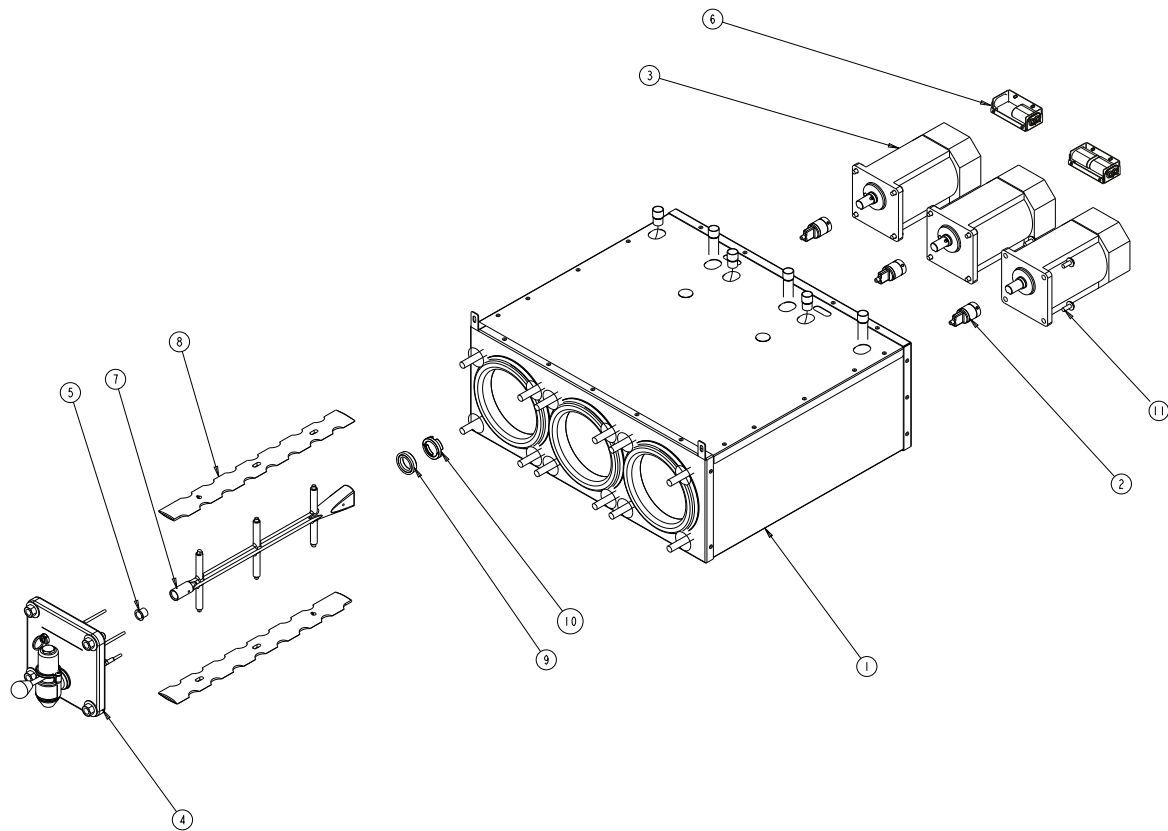


Figure 2. Foam Pack/Drive Assembly

Table 2. Foam Pack/Drive Assembly

Item	Part No.	Description
1	<a href="#">629096940</a>	Kit-Serv Foam Pack Viper 3 Barrel
2	<a href="#">629096854</a>	Kit-Adapter Drive Shaft w/Set Screw & Dowel
3	<a href="#">620314938</a>	Motor- Gear Viper 220v 50/60Hz 4 Capac 180 Rpm
4	<a href="#">620048365</a>	Door Frz Cyl Assy. Kit Motorman (See Fig. 3)
	<a href="#">620067610</a>	Door Frz Cyl Asy Kit Motorman ext lever VPR.(See Figure 3.)
5	<a href="#">2392</a>	Bushing Split Flange .5011D NYL

Table 2. Foam Pack/Drive Assembly

Item	Part No.	Description
6	<a href="#">629097286</a>	Kit Motor Run Capac. Vpr 3fl 60hz
	<a href="#">620057820</a>	Capacitor Motor Run Viper 60Hz
7	<a href="#">620715735</a>	Body Beater Viper
8	<a href="#">620049806</a>	Blade Scraper Freeze Cyl Viper
9	<a href="#">620045383</a>	Seal Viper Barrel (Pack of 10)
	<a href="#">620043064</a>	Seal Rotary Rubber Viper (Single)
10	<a href="#">620043162</a>	Spacer Plastic for Utex Seal Viper
11	<a href="#">560003345</a>	Bolt Mach 1/4-20 X 5/8" Slotted Hex STZ1
*	<a href="#">620052296</a>	Plate Motor Mounting

\* Indicates Not Shown

# FACEPLATE ASSEMBLY

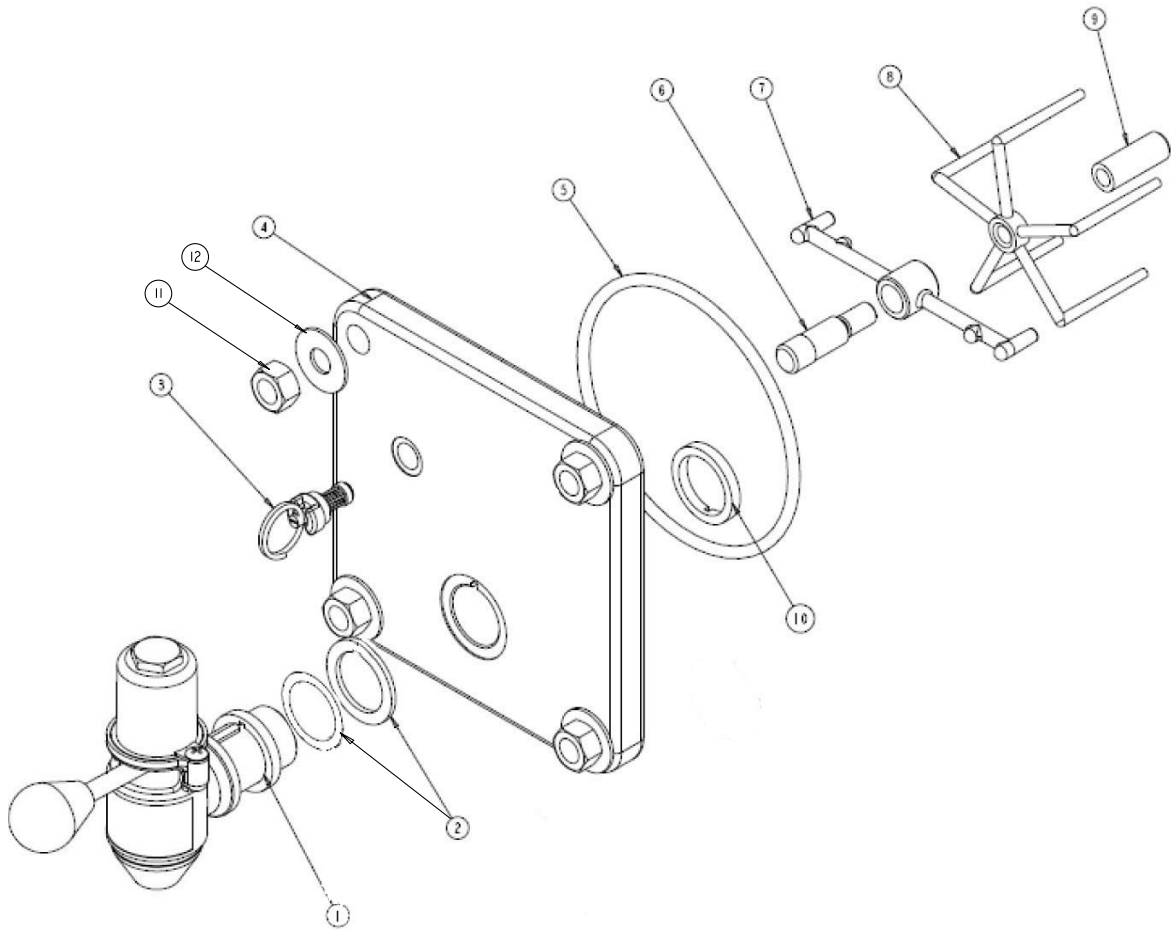


Figure 3. Faceplate Assembly

Table 3. Faceplate Assembly

Item	Part No.	Description
*	<a href="#">620048365</a>	Door Frz Cyl Assy Kit Motorvpr TB
	<a href="#">620067610</a>	Door Frz Cyl Assy Kit Motorman Ext Lever
1	<a href="#">620048366</a>	Valve Disp Assy Motorman (See Figure 4.)
	<a href="#">620067611</a>	Valve Disp Asy Motorman Ext lever
2	<a href="#">325936000</a>	Spacer Val 2F FCB VA
3	<a href="#">325954000</a>	Stem Assy R-Val FCB
4	<a href="#">325918000</a>	Door Frz Cyl 2 FCB VA (Without line)
	<a href="#">620048667</a>	Door Frz Cyl 2 FCB VA
5	<a href="#">320678000</a>	O-Ring 4.60ID 210CS 70DU EY-P

Table 3. Faceplate Assembly

Item	Part No.	Description
6	<a href="#">2361</a>	Shaft Pivot Faceplate FCB V3+
7	<a href="#">321269001</a>	Spinner Frz Cyl
8	<a href="#">322441000</a>	Sensor Visc Mld
9	<a href="#">2358</a>	Pin Beater Bar FCB V3+
10	<a href="#">321652000</a>	Nut- Shank 1-1/16 - 16thd
11	<a href="#">320553001</a>	Nut Hex 7/16-14 Brch
12	<a href="#">320916000</a>	Washer Ft 450 1.1 062 SS
*	<a href="#">321653000</a>	O-Ring 862ID 103CS 70DU EY-P
*	<a href="#">620047188</a>	Ring Retaining

\* Indicates Not Shown

# MOTORMAN VALVE ASSEMBLY

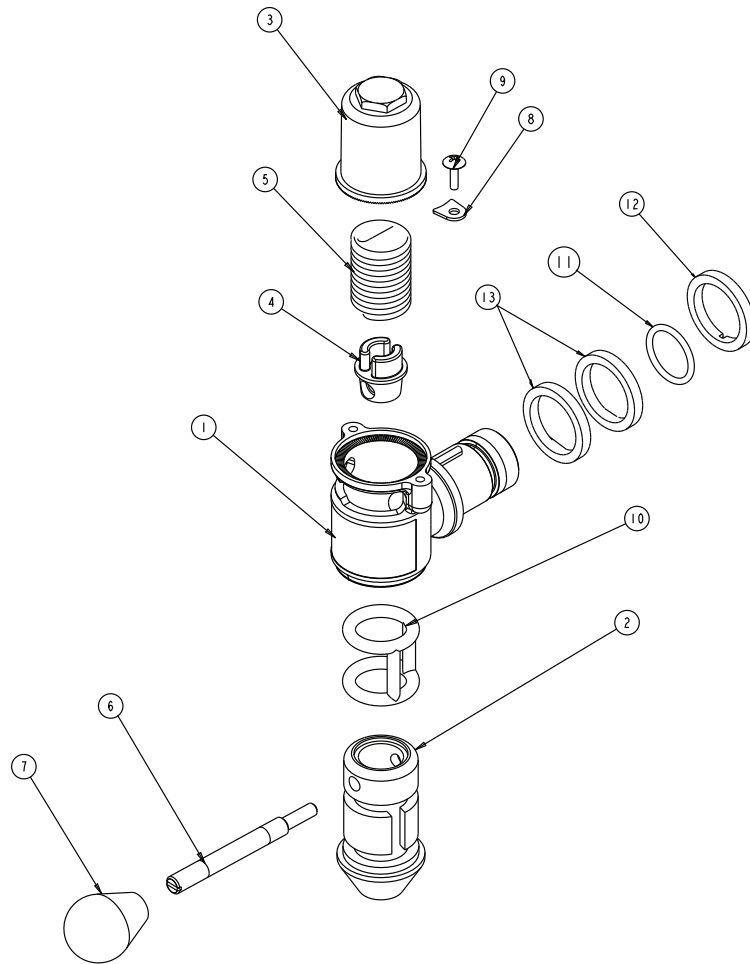


Figure 4. Motorman Valve Assembly

Table 4. Motorman Valve Assembly

Item	Part No.	Description
1	620046168	Body Valve FCB w/Stop
2	1554	Body Valve Ribbed
3	1576	Housing Spring FCB Valve
4	1575	Retainer Spring Valve
5	325305000	Spring Torsion HC FCB
6	321651000	Lever Valve
	620067612	Lever Valve Extended
7	620049960	Knob White

Table 4. Motorman Valve Assembly

Item	Part No.	Description
8	325647000	Plate Val FCB
9	317784000	Screw, TC 08-18 TRPH 16 SSPA 25
10	2818	O-Ring Caged FCB Val
11	321653000	O-Ring 862ID 103CS 70DU EY-P
12	321652000	Nut-Shank 1-1/16-16Thd
13	325936000	Spacer Val 2F FCB VA
*	322859000	Tool-wrench Spanner

\* Indicates Not Shown

# PRODUCT DELIVERY SYSTEM

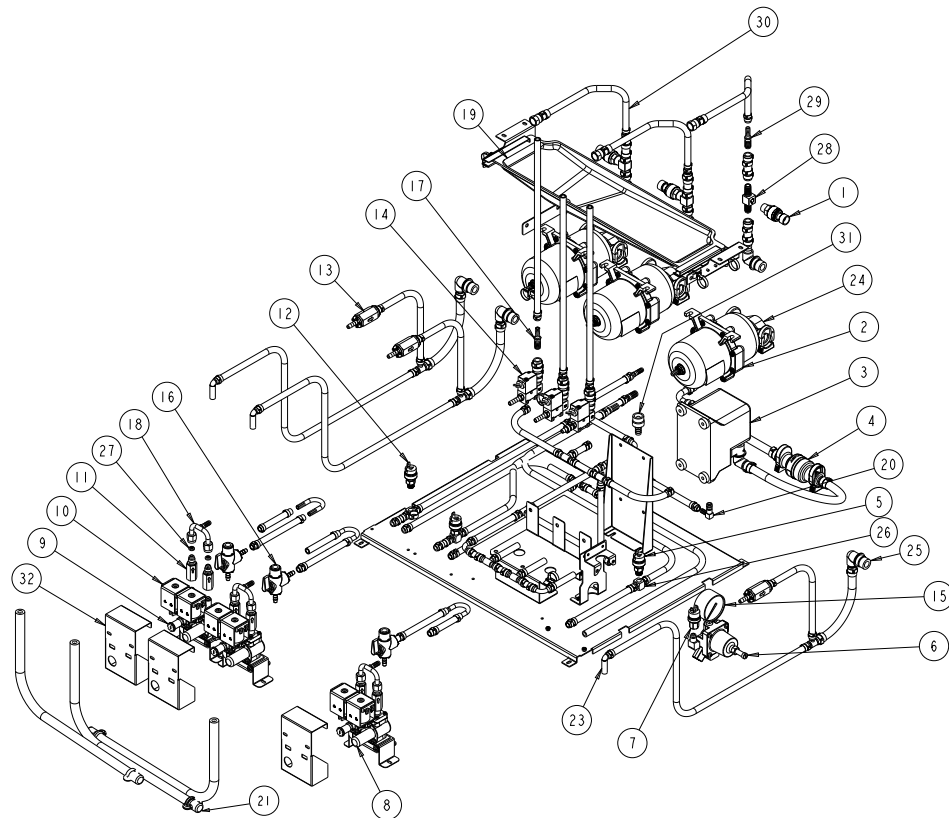


Figure 5. Product Delivery System

Table 5. Product Delivery System

Item	Part No.	Description
1	<a href="#">620047352</a>	Sensor Press Transducer 0-15 Psig
2	<a href="#">620061583</a>	Tank Expansion 21.5oz FloJet
	<a href="#">629097625</a>	Kit Replacement Mini Viper Tank
3	<a href="#">629096937</a>	Kit-Pump Water FloJet
4	<a href="#">620054693</a>	Reg Press Water 30PSIG W 3/8 Fittings
5	<a href="#">620043083</a>	Switch Sold Out Water - Viper
6	<a href="#">183446016</a>	Reg S SQ 30 RV CRTN
7	<a href="#">620313290</a>	Switch Sold Out CO <sub>2</sub> - 3 FL Viper
8	<a href="#">620608747</a>	Valve Solnd Assy Wtr 0.82GPM
9	<a href="#">620608746</a>	Valve Solnd Assy Syr 0.21GPM
10	<a href="#">620313722</a>	Solenoid Pull 24VAC 50/60 C.D.
11	<a href="#">560002991</a>	Valve Chk 7/16F X 7/16M CHUD
12	<a href="#">620313291</a>	Switch Sold Out Syrup - 3 FL Viper
13	<a href="#">620609162</a>	Valve Chk 1/4 BARB (2) SMC
14	<a href="#">620048073</a>	Valve PWM CO <sub>2</sub> 1/8NPT 24VAC 50/60
15	<a href="#">183288000</a>	Gauge 30PSI 200KPA
16	<a href="#">620609164</a>	Valve Shut Off 3-Way Brix Valve
17	<a href="#">620048016</a>	Orifice .016ID, SS
18	<a href="#">620720662</a>	Fitg U-Brb 1/4 X 1/4 FL (2)

Table 5. Product Delivery System

Item	Part No.	Description
19	<a href="#">620522937</a>	Condensation Tray
20	<a href="#">620720672</a>	Fitg CO <sub>2</sub> L-Brb 1/4 X Port BR FloJet
21	<a href="#">620047684</a>	Cap Vinyl .437 ID Plastic
22	<a href="#">77900300</a>	Tube U 1/4 Barb(2) Ss
23	<a href="#">620720663</a>	Fitg-push L 3/8stem X 1/4barb
24	<a href="#">620061927</a>	Insulation W/adhes Mini Exp Tank Viper
25	<a href="#">620720658</a>	Fitg L-brb 10/13mm X Port FloJet
26	<a href="#">5083</a>	Fitg T-brb 1/4(2) X 1/8fpt Ss
27	<a href="#">178025100</a>	Gasket 1/4 Male Flare Fitg
28	<a href="#">560002700</a>	Fitg T-brb 3/8(2) X 1/8fpt SS
29	<a href="#">77040700</a>	Splicer Barb 250 X 375 Stn Stl
30	<a href="#">620048014</a>	Tube Asy Product Barrel Inlet Vpr Tb
31	<a href="#">620720673</a>	Fitg Barb 3/8 X Port SS FloJet
32	<a href="#">620045337</a>	Cover Flow Control Solenoid Viper
*	<a href="#">174478100</a>	1/4" Beverage Tubing X 100' Roll
*	<a href="#">174292100</a>	3/8" Beverage Tubing X 100' Roll
*	<a href="#">183099000</a>	Kit Repair Reg. Secondary
*	<a href="#">620709068</a>	Fitg L-mix 1/4brb X 1/4 Ss
*	<a href="#">620048073</a>	Valve PWM Co <sub>2</sub> 1/8npt 24vac 50/60

\* Indicates Not Shown

# REFRIGERATION SYSTEM

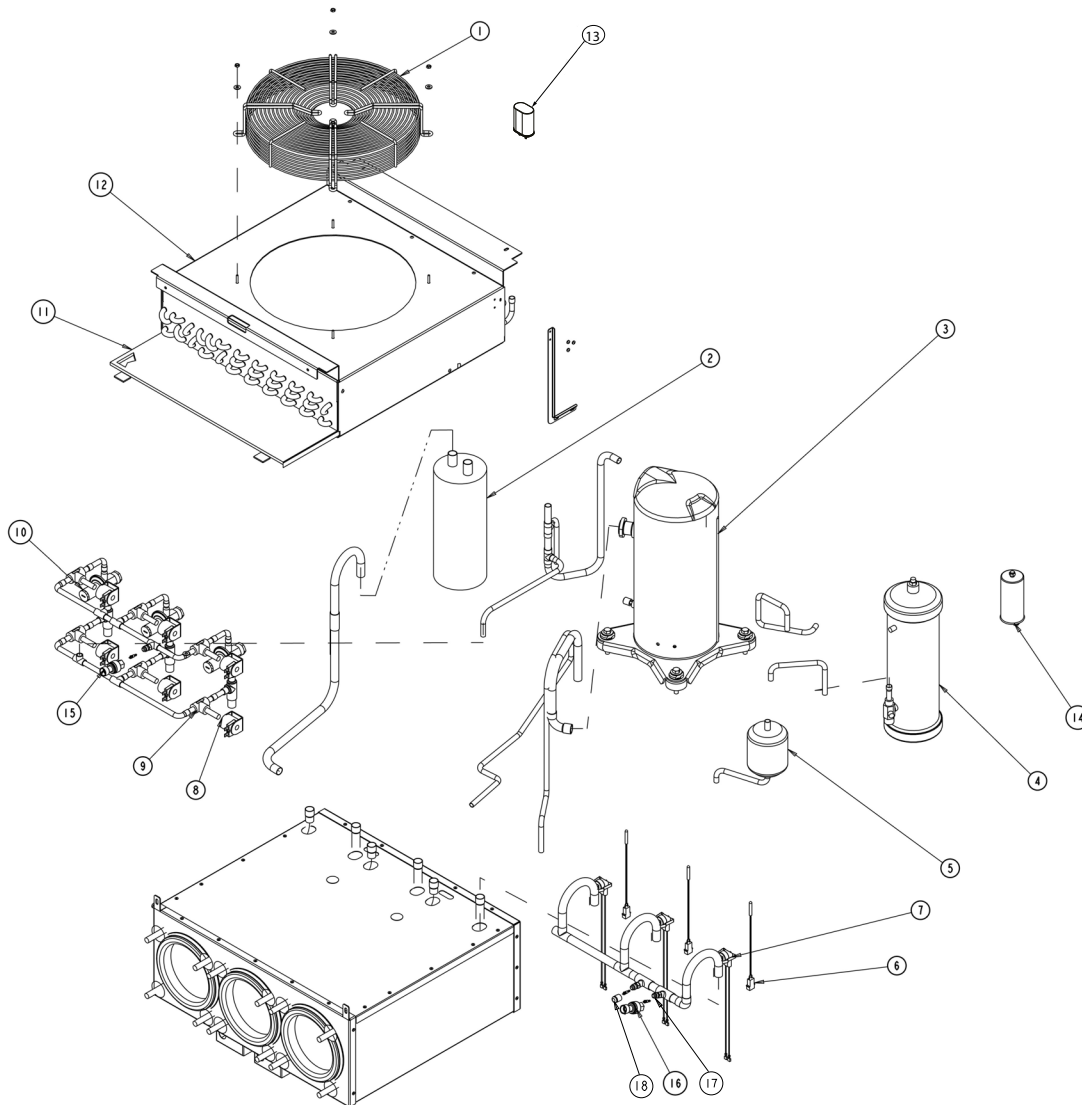


Figure 6. Refrigeration System

Table 6. Refrigeration System

Item	Part No.	Description
1	<a href="#">629096902</a>	Kit Condenser Fan Viper 50/60Hz
2	<a href="#">620045372</a>	Accum Suction Foamed Viper
3	<a href="#">629096901</a>	Kit-Comp Scroll Copeland 404A 60 Hz - ZB19
4	<a href="#">620045290</a>	Receiver 90 CU IN 3.5" X 10"
5	<a href="#">60686</a>	Dryer 27 IN3 Sngl 3811D R404
6	<a href="#">629096938</a>	Kit-Sensor Thermistor 5K Ohm Viper
7	<a href="#">629096942</a>	Kit-Sw. Therm. C/O Leaded Set 120F TCO
8	<a href="#">620313726</a>	Solenoid Coil EVU 24VAC 50/60HZ
9	<a href="#">620609157</a>	Valve, Solenoid EVU-3 Hot Gas and Liquid Line

Table 6. Refrigeration System

Item	Part No.	Description
10	<a href="#">620609156</a>	Valve, Expansion Automatic A7-B
11	<a href="#">620608618</a>	Filter, Air 18.00" X 19.00" 3 FL Viper
12	<a href="#">620608016</a>	Cond-Coil Assy - 3 FL Viper
13	<a href="#">620057820</a>	Capacitor Motor Run Viper 60hz
14	<a href="#">620314319</a>	Cap., Run 45uF 370VAC Stud-Mnt-60Hz
15	<a href="#">620314540</a>	Sensor Transducer 500 PSI Refrig
16	<a href="#">620314539</a>	Sensor Transducer 300 PSI Refrig
17	<a href="#">2636</a>	Core Access Valve
18	<a href="#">315499000</a>	Cap Quick Seal 1/4

\* Indicates Not Shown

## E-Box ASSEMBLY

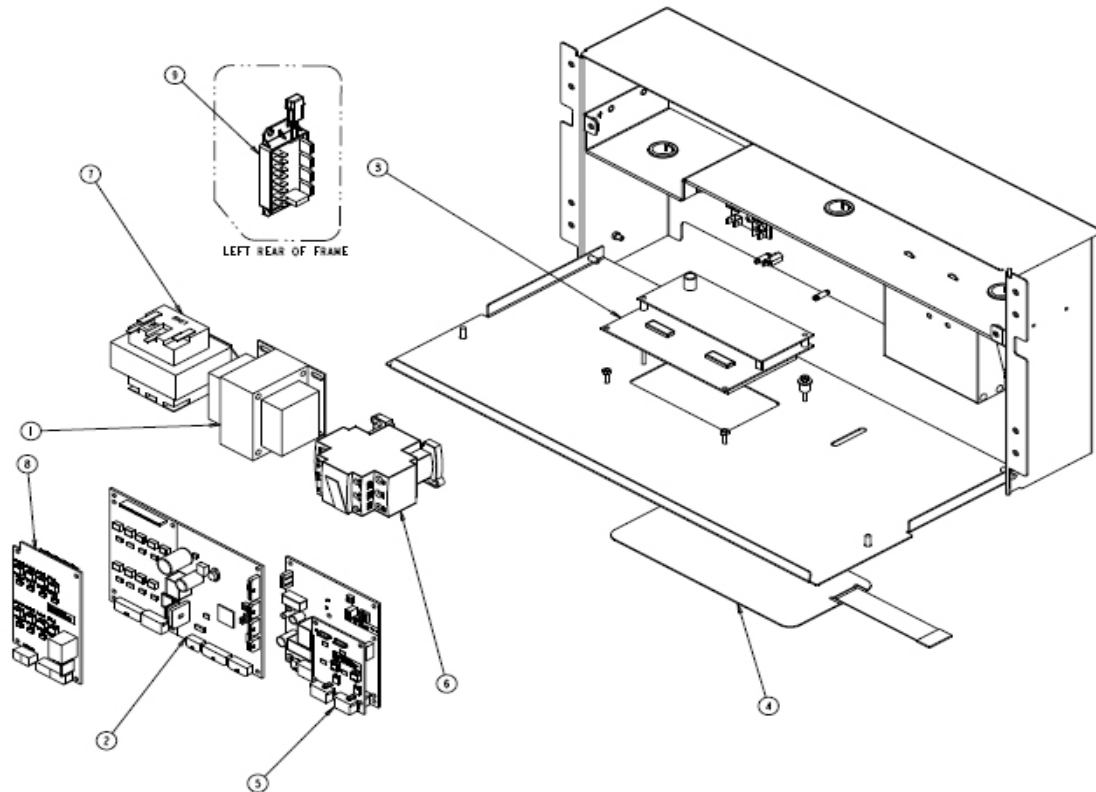


Figure 7. E-Box Assembly

Table 7. E-Box Assembly

Item	Part No.	Description
1	<a href="#">620710739S</a>	Transformer 60+75VA 240V:24V 50/60HZ
2	<a href="#">620314869-200S</a>	Kit-Board 3 FL Viper Ctl_Main I/O Board Ver. 2
3	<a href="#">620314871-200S</a>	Kit Board Viper Ctl-main U/i Board
4	<a href="#">629096275S</a>	Kit-Key Pad Ctl Viper
5	<a href="#">620045351-100S</a>	Kit Control Motor Asy 3/4 Barrel
6	<a href="#">620314029</a>	Relay Compress 24VAC Coil 600VAC Contacts
7	<a href="#">620710737S</a>	Transformer 80VA 240V; 24V 60Hz
8	<a href="#">620314870S</a>	Kit Brd Expander 3FL Viper CTL Main IO Brd
9	<a href="#">620047160-100</a>	PCBA Analog Pressure Switch

Table 7. E-Box Assembly

Item	Part No.	Description
*	<a href="#">629096930TC</a>	Kit, Language Chip - Chinese Traditional UI Software Ver. 2
*	<a href="#">629096930SC</a>	Kit, Language Chip - Chinese Simple UI Software Ver. 2
*	<a href="#">629096931TC</a>	Kit, Language Chip - Chinese Traditional UI Software Ver. 3
*	<a href="#">629096931SC</a>	Kit, Language Chip - Chinese Simple UI Software Ver. 3
*	<a href="#">629096931KR</a>	Kit, Language Chip - Korean UI Software Ver. 3
*	<a href="#">629096931SP</a>	Kit, Language Chip - Spanish UI Software Ver. 3
*	<a href="#">629096931JP</a>	Kit, Language Chip - Japanese UI Software Ver. 3
*	<a href="#">629096931FR</a>	Kit, Language Chip- French UI Software Ver. 3
*	<a href="#">629096931LOFR</a>	Kit, Language Chip- Low Over-run French UI Software Ver. 3

\* Indicates Not Shown



**Table 8. Harness Assemblies (Not Shown)**

Item	Part No.	Description
*	<a href="#">620043067</a>	Harness, Secondary, Exp Transformer
*	<a href="#">620045291</a>	Harness, Motor Ground
*	<a href="#">620323046</a>	Harness, Mn E-Box IO PCBA to Sold-Out Sw
*	<a href="#">620323247</a>	Harness, Main E-Box IO PCBA to 24VAC Strip
*	<a href="#">620323348</a>	Harness, Main E-Box Mtr Cont PCBA to Motor 1
*	<a href="#">620323657</a>	Harness, Main Power E-Box 240VAC Pwr Sply
*	<a href="#">620323661</a>	Harness, Compressor Ground
*	<a href="#">620323662</a>	Harness, Mn E-Box IO PCBA to AC Loads
*	<a href="#">620323663</a>	Harness, Mn E-Box IO PCBA to LCD Usr Intrfc PCBA
*	<a href="#">620323664</a>	Harness, Mn E-Box 24VAC Strip to Mtr PCBA
*	<a href="#">620323665</a>	Harness Pwr E-Box IO PCBA to Mtr Cntrl PCBA, Comm
*	<a href="#">620323667</a>	Harness, Mn E-Box Mtr Cntrl PCBA to 24VAC Sply Pwr E-Box
*	<a href="#">620323668</a>	Harness, Mrchdsr Mn LED Stat to Extnr LED Stat
*	<a href="#">620323669</a>	Harness, Pwr. E-Box 240VAC Compr Cap

**Table 8. Harness Assemblies (Not Shown)**

Item	Part No.	Description
*	<a href="#">620323670</a>	Harness, Pwr E-Box 240VAC Compr Cont.
*	<a href="#">620323671</a>	Harness, Pwr 240VAC to Condenser Fan Contact
*	<a href="#">620323700</a>	Harness, Mn E-Box to TCO
*	<a href="#">620323706</a>	Harness, Mn E-Box Mtr Cntrl PCBA to Motor 2
*	<a href="#">620323716</a>	Harness, Mn E-Box AC Loads 3-Brl
*	<a href="#">620323717</a>	Harness, Mn E-Box Mtr Cntrl PCBA to Motor 3
*	<a href="#">620323718</a>	Harness, Mn E-Box IO PCBA to Sold-Out Sw Brl 3
*	<a href="#">620323719</a>	Harness, Mn E-Box IO PCBA to Therm 3-Brl
*	<a href="#">620323729</a>	Harness, Dual Pres. Transducer
*	<a href="#">620323731</a>	Harness, Condenser Fan, Long
*	<a href="#">620323732</a>	Harness, Compressor Pwr, Long
*	<a href="#">620323733</a>	Harness, Primary, Second Transformer
*	<a href="#">620323738</a>	Harness, Mn E-Box to Mn Transformer
*	<a href="#">620047351</a>	Harness Analog Pressure Switch PCBA 24VAC
*	<a href="#">620047350</a>	Harness Analog Pressure Switch
*	<a href="#">620053073</a>	Harn Barrel Fill Switch

\* Indicates Not Shown

# MERCHANDISER ASSEMBLY (TALL)

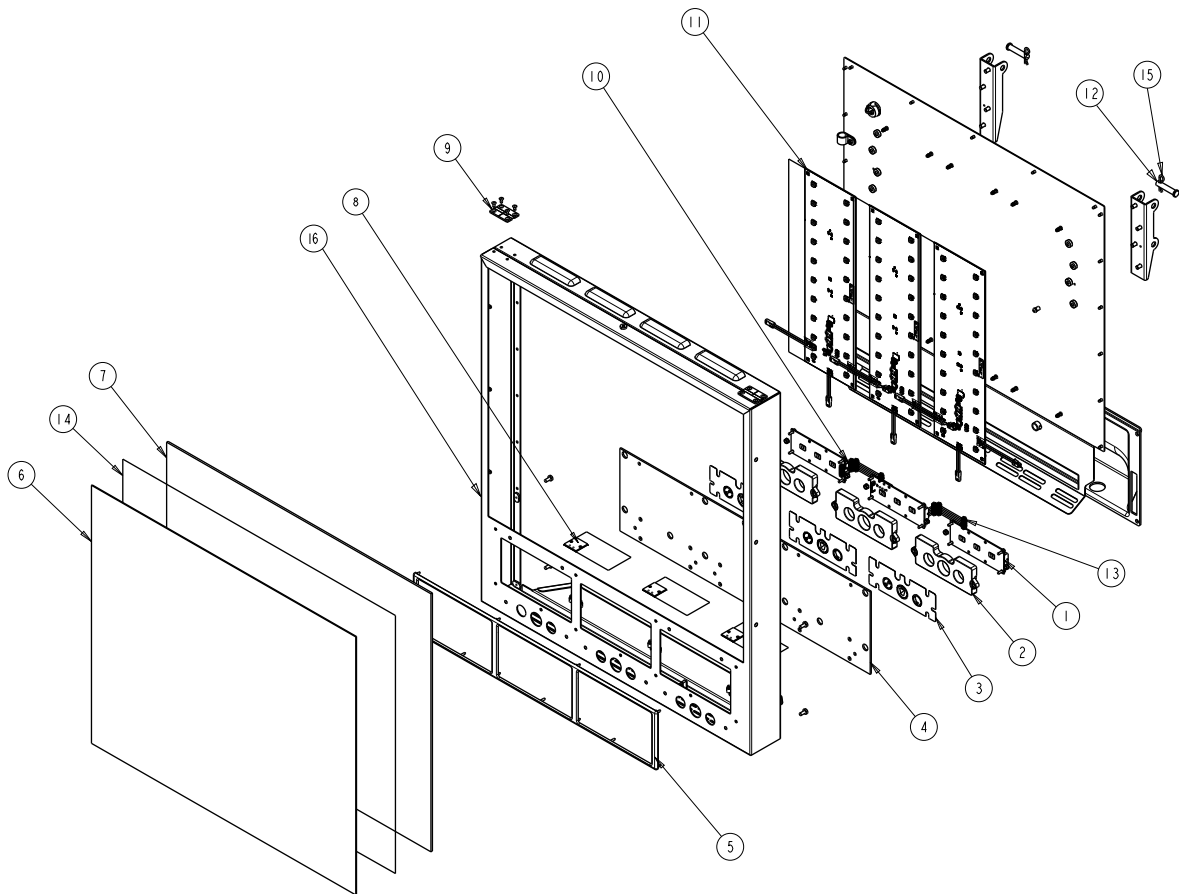


Figure 8. Merchandiser Assembly (Tall)

Table 9. Merchandiser Assembly

Item	Part No.	Description
1	<a href="#">620314875</a>	Kit-Board Viper Ctl_Barrel Status Extender
2	<a href="#">620518917</a>	Plate Mtg Viper Ctl Barrel Status
3	<a href="#">620928781</a>	Graphic Board Viper Ctl Barrel Status
4	620042855	Diffuser Flavor Card 3FL Viper
5	<a href="#">620050816</a>	Display Flavor Card CT PCL
6	<a href="#">620518246</a>	Lens Graphic Merchandiser 3FL Viper
7	<a href="#">620053953</a>	Kit-Diffuser Inside MErchandiser 3FL Viper
8	620521775	Kit-Merchandiser Assy Downlight PCBA
9	<a href="#">629096926</a>	Kit-Hinge Plastic Merchandiser 3FL Viper 2Pcs
10	<a href="#">620314874</a>	Kit-Board 3FL Viper Ctl_Barrel Status
11	<a href="#">620061825</a>	Merchndsr Assy Backlight Pcba W/led Circuit
	<a href="#">629097425</a>	Kit Led Backligh Merch 3 FI Viper
12	<a href="#">629096936</a>	Kit-Pin Hinge 3FL Viper 2Pcs

Table 9. Merchandiser Assembly

Item	Part No.	Description
13	<a href="#">620323668</a>	Harness Main LED Status to Extender LED Status
14	<a href="#">620046410</a>	Graphics Viper 3FL
15	<a href="#">398034400</a>	Pin Htch 080D 1.562 STZI
16	620050225	Merchndsr Box 3fl Viper
*	<a href="#">620042868</a>	Flavor Card - 18 Card Set
*	<a href="#">620046771</a>	Hinge for Short Merchandiser Viper
*	<a href="#">620061826</a>	Ham Merchndsr Viper Led Backlight
*	<a href="#">620052148</a>	Card Flavor Bp Viper
*	<a href="#">620051378</a>	Card Flavor Coke Viper
*	<a href="#">620051379</a>	Card Flavor Pepsi Viper
*	620055021	Card Flavor Viper Hs
*	<a href="#">620065324</a>	Card Flavor Viper 6.5 X 4.0 - Bk
*	<a href="#">620043061</a>	Harness Main E-Box to Merchandiser W/24VAC

\* Indicates Not Shown

# MERCHANDISER ASSEMBLY (MODIFIED SHORT)

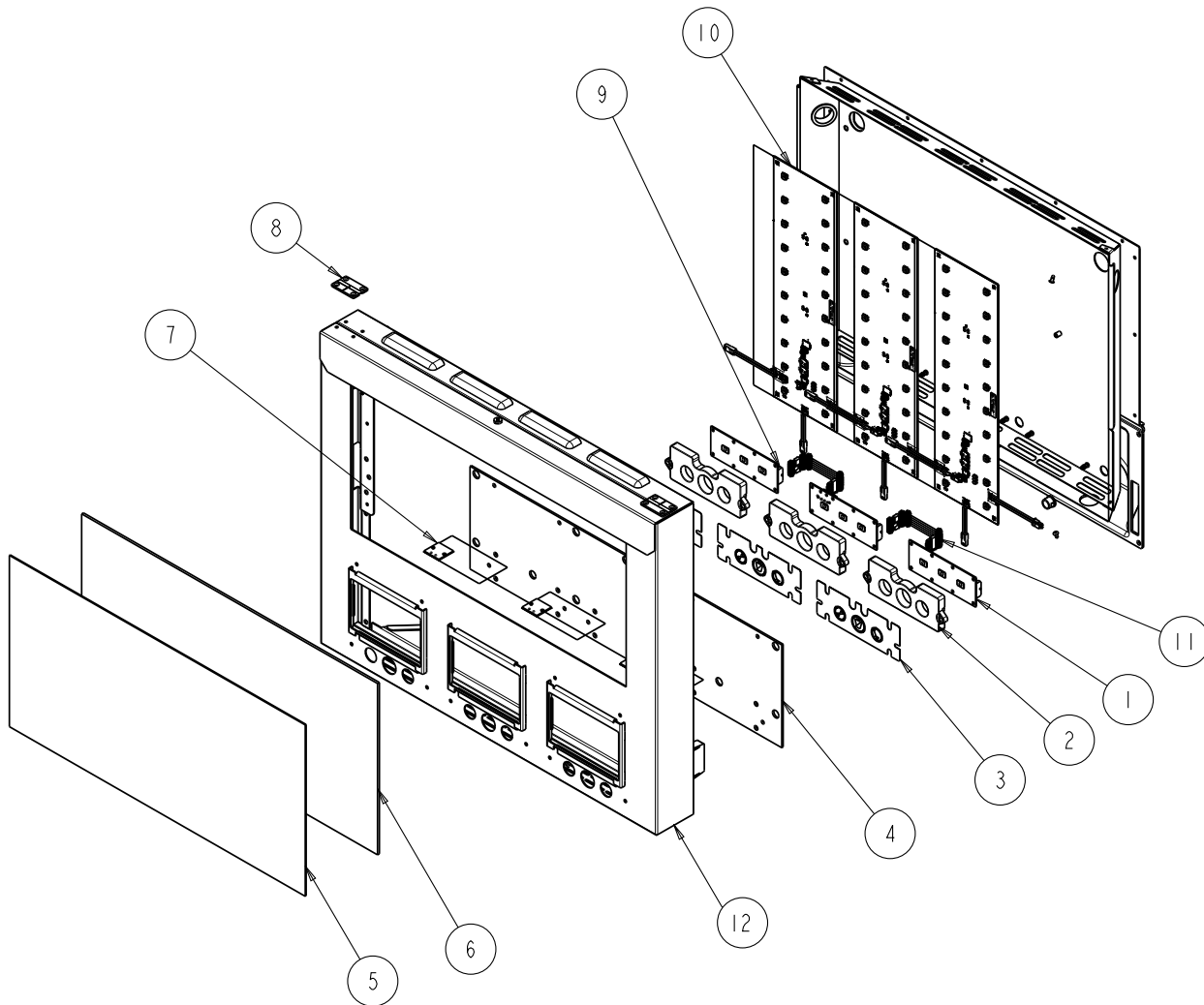


Figure 9. Merchandiser Assembly (Modified Short)

Table 10. Merchandiser Assembly

Item	Part No.	Description
1	620314875	Kit-Board Viper Ctl_Barrel Status Extender
2	620518917	Plate Mtg Viper Ctl Barrel Status
3	620928781	Graphic Board Viper Ctl Barrel Status
4	620042855	Diffuser Flavor Card 3FL Viper
5	620048345	Lens Graphic Merchandiser 3FL Viper - Short
6	620048344	Kit-Diffuser Inside Merchandiser 3FL Viper- Short
7	620521775	Kit-Merchandiser Assy Downlight PCBA
8	629096926	Kit-Hinge Plastic Merchandiser 3FL Viper 2Pcs

Table 10. Merchandiser Assembly

Item	Part No.	Description
9	620314874	Kit-Board 3FL Viper Ctl_Barrel Status
10	620061825	Merchndsr Assy Backlight Pcba W/ led Circuit
	629097425	Kit Led Backligh Merch 3 FI Viper
11	620323668	Harness Main LED Status to Extender LED Status
12	620047344	Merchndsr Short Box 3fl Vpr Tb
*	620046771	Hinge for Short Merchandiser Viper (Not Shown)
*	620061826	Harn Merchndsr Viper Led Backlight
*	620043061	Harness Main E-Box to Merchandiser W/24VAC

\* Indicates Not Shown



**Cornelius Inc.**  
**[www.cornelius.com](http://www.cornelius.com)**