



CONTINUOUS FLOW ICEMAKER

500, 700, 1000, 1400, 2000-Series

Illustrated Parts List

Release Date: May 26, 2004

Publication Number: 630460174IPL

Revision Date: July 18, 2012

Revision: F

Visit the IMI Cornelius web site at www.cornelius.com for all your Literature needs.

The products, technical information, and instructions contained in this manual are subject to change without notice. These instructions are not intended to cover all details or variations of the equipment, nor to provide for every possible contingency in the installation, operation or maintenance of this equipment. This manual assumes that the person(s) working on the equipment have been trained and are skilled in working with electrical, plumbing, pneumatic, and mechanical equipment. It is assumed that appropriate safety precautions are taken and that all local safety and construction requirements are being met, in addition to the information contained in this manual.

This Product is warranted only as provided in Cornelius' Commercial Warranty applicable to this Product and is subject to all of the restrictions and limitations contained in the Commercial Warranty.

Cornelius will not be responsible for any repair, replacement or other service required by or loss or damage resulting from any of the following occurrences, including but not limited to, (1) other than normal and proper use and normal service conditions with respect to the Product, (2) improper voltage, (3) inadequate wiring, (4) abuse, (5) accident, (6) alteration, (7) misuse, (8) neglect, (9) unauthorized repair or the failure to utilize suitably qualified and trained persons to perform service and/or repair of the Product, (10) improper cleaning, (11) failure to follow installation, operating, cleaning or maintenance instructions, (12) use of "non-authorized" parts (i.e., parts that are not 100% compatible with the Product) which use voids the entire warranty, (13) Product parts in contact with water or the product dispensed which are adversely impacted by changes in liquid scale or chemical composition.

Contact Information:

To inquire about current revisions of this and other documentation or for assistance with any Cornelius product contact:

www.cornelius.com

800-238-3600

Trademarks and Copyrights:

This document contains proprietary information and it may not be reproduced in any way without permission from Cornelius.

Printed in U.S.A.

REFRIGERATION AND ICEMAKER ASSEMBLY MODEL 2000 SERIES

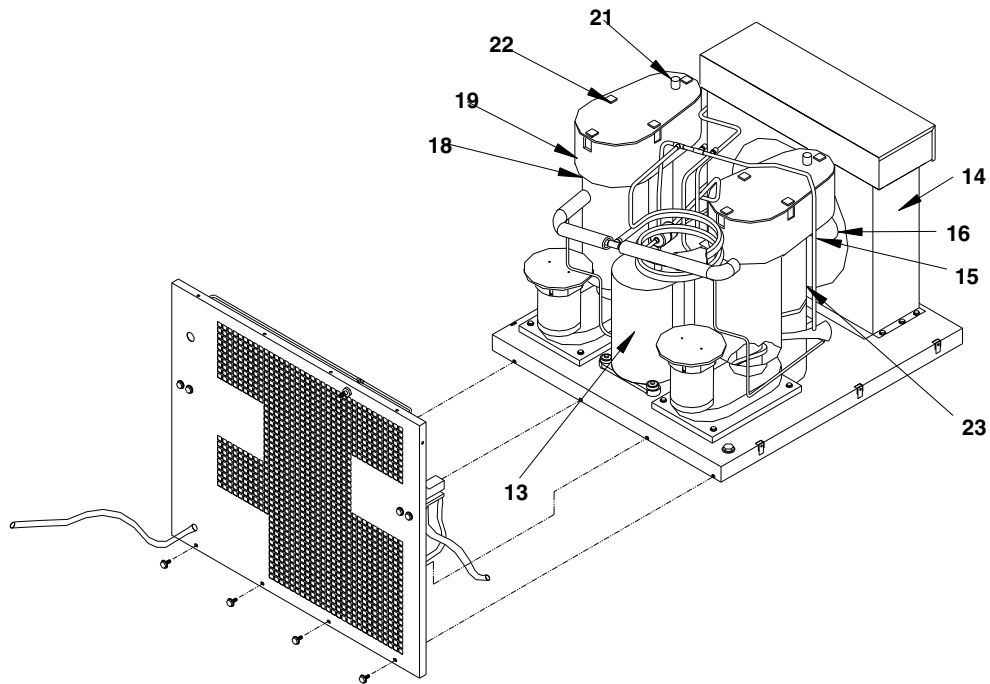


Figure 1. 2000 Series

| Item No | Part No. | Name |
|---------|--------------|--------------------------------------|
| 1 | 162964027 | Compressor (WCC2001 & WCF2201) |
| | 162964046 | Compressor (WCC2002 & WCF2202) |
| 2 | 638036849 | Condenser (WCC & WCF Air) |
| | 27177 | Condenser (WCC & WCF Water) |
| | 161870007 | Condenser (WCC & WCF Remote) |
| 3 | 638090344001 | Fan Motor (WCC & WCF Air 50 & 60 HZ) |
| | 27185 | Fan Motor (Remote 50 & 60 HZ) |
| 4 | 63809034401 | Fan Blade (Air) |
| | 630900246 | Fan Blade (WCC & WCF Remote) |
| 5 | 638004391 | Bracket Fan Motor |
| | 638036087 | Clamp, Dispense Tray |

| Item No | Part No. | Name |
|---------|--------------|--|
| 7 | 638036872001 | Dispense Tray Assembly |
| 8 | 630900948 | Cover Dispense Tray |
| 9 | 630900954 | Thermostat Well |
| 10 | 638036867001 | Clip Cove |
| 11 | 638036020001 | Drop Tube Assembly |
| 12 | 638092537 | Cover, Electrical Box |
| 13* | 164980002 | Water Regulator Valve (Water) |
| 14* | 638009755 | High Pressure Switch (Water) |
| 15* | 161773003 | Pressure Switch (WCC & WCF Remote) |
| 16* | 166226000 | Valve Head Pressure (WCC & WCF Remote) |
| 17* | 166225000 | Receiver (WCC & WCF Remote) |

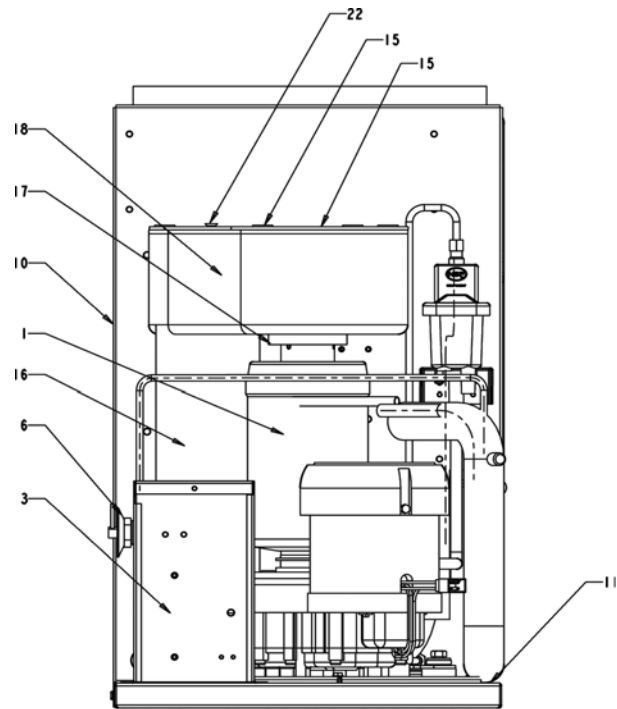
NOTE:: * = Not Shown



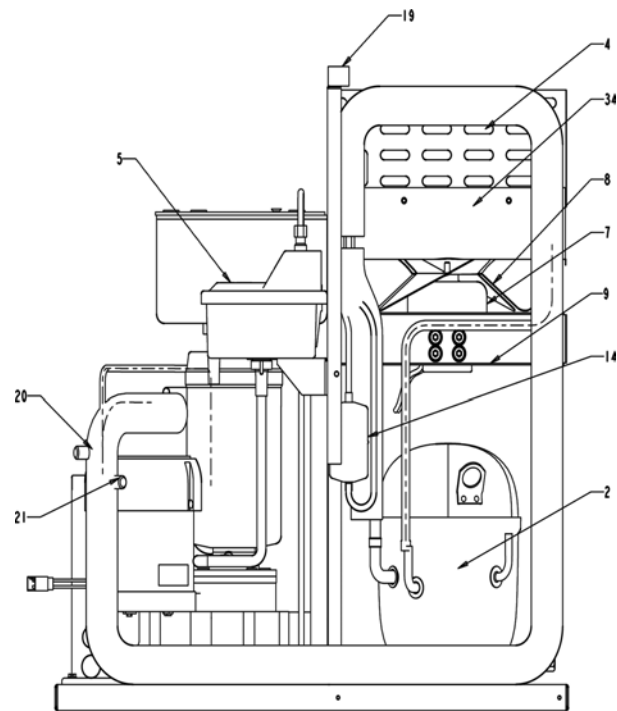
REFRIGERATION AND ICEMAKER ASSEMBLY MODEL 500 SERIES

| Item | Part No. | Description |
|------|---------------|--|
| 1 | 638036373-001 | Evap Assy. |
| 2 | 638090121 | Compressor, 115V |
| | 620054548 | Compressor, 115V (For unit S/N starting from 620) |
| | 638090131 | Compressor, 220V/50Hz |
| | 620055370 | Compressor 220/240V 50Hz |
| 3 | 620054229 | Electrical Box Assembly 115V |
| 4 | 638008854 | Condenser-Air Cooled |
| | 638036383 | Condenser-Water Cooled |
| 5 | 630900547 | Water Level Control Assembly |
| | 638008483 | Reed Switch Assembly |
| 6 | 638090126 | Expansion Valve, Thermal |
| 7 | 638036225 | Fan Motor Assembly, 115V |
| | 638010017 | Fan Motor Assembly, 220V 50Hz |
| 8 | 638008618 | Fan Blade |
| 9 | 638008814 | Bracket, Fan Motor |
| 10 | 638008812 | Panel, Center |
| 11 | 638036218 | Bracket, Mounting Icemaker |
| 12 | 638008409 | Bulkhead Fitting |
| 13 | 638007206-04 | Nut, Jam 1/2-20 |
| 14 | 638004393 | Dryer |
| 15 | 630900942 | Cover, Dispense Tray |
| | 638036867-001 | Clip Cover |
| 16 | 638036366 | Drop Tube Assembly |
| 17 | 638036269 | Clamp, Dispense Tray |
| 18 | 638036869-002 | Dispense Tray Assembly |
| 19 | 7231762 | Gasket, Foam 3/4 X 3/4 X 13" lg. |
| 20 | 20654 | Access Port |
| 21 | 23988 | Replacement Cap |
| 22 | 630901021 | Thermostat Well 2" |
| 23* | 638007208-03 | Nut, Palnut, 3/4-16 |
| 24* | 638007295 | Bulkhead Fitting, Water Cool |
| 25* | 638009755 | Pressure Switch |
| 26* | 638036386 | Finger Guard, Fan |
| 27* | 164980002 | Water Regulating Valve |
| 28* | 638008943 | Exhaust Fan Assembly |
| 29* | 161998008 | Relay Start 115V |
| | 620054732 | Relay Start 115V (For unit S/N starting from 620) |
| 30* | 161998011 | Relay Start 220V 50Hz |
| 31* | 620055909 | Capacitor Start 220V 50Hz |
| | 161165007 | Capacitor Start 115V |
| 32* | 620055715 | Capacitor Start 115V(For unit S/N starting from 620) |
| | 161165010 | Capacitor Start 220V 50Hz |
| 33* | 620055908 | Capacitors Start from 220V 50Hz |
| | 638090123 | Capacitor Run 115V |
| | 638090123 | Capacitor Run 115V (For unit S/N starting from 620) |
| | 638036267 | Fan Shroud |
| 34 | 629097166 | Kit Comp Replacement WCC 500-A |
| 36 | 629097176 | Kit Comp Replacement WCC 500-W |

NOTE: * = Not Shown



BACK VIEW



LEFT VIEW

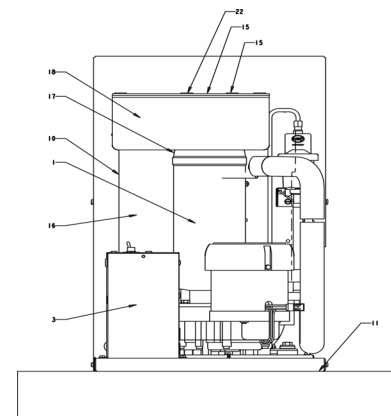
Figure 2. 500 Series

REFRIGERATION AND ICEMAKER ASSEMBLY MODEL 700 SERIES

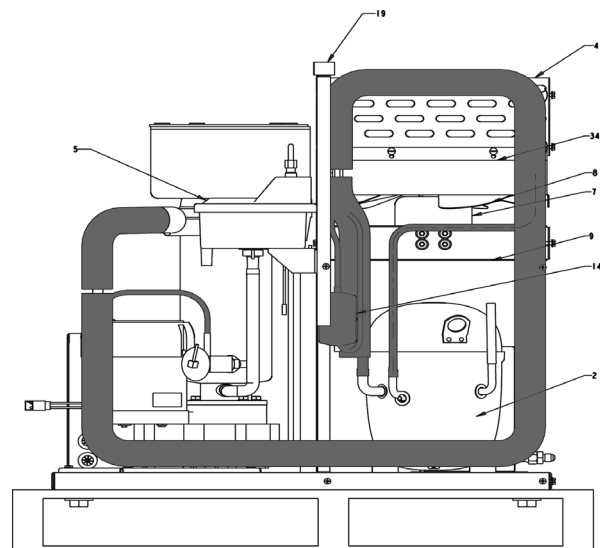
| Item No. | Part No. | Description |
|----------|---------------|--|
| 1 | 620054225 | Evap Assy WCC 700 |
| 2 | 638090221 | Compressor, 115V (For unit with S/N's starting with 62A and 62B) |
| | 638090241 | Compressor 208/230V |
| | 162964041 | Compressor, 220V 50Hz |
| | 620054119 | Compressor 115V (For unit with S/N's starting with 62C) |
| | 620055368 | Compressor 220/240V 50Hz (For unit with S/N's starting with 62C) |
| 3 | 620054229 | Electrical Box Assembly |
| 4 | 638036273 | Condenser-Air Cool |
| | 638036272 | Condenser-Water Cool |
| 5 | 630900547 | Water Level Control Assembly |
| | 638008483 | Reed Switch Assembly |
| 6 | 638090226 | Expansion Valve, Thermal |
| | 638090236 | Fan Motor Assembly, 115V |
| 7 | 638090234 | Fan Motor Assembly, 208/230V |
| | 638090233 | Fan Motor Assembly, 220V 50 Hz |
| | 638096723 | Fan Blade |
| 9 | 638008814 | Bracket, Fan Motor |
| 10 | 638008812 | Panel, Center |
| 11 | 638036218 | Bracket, Mounting Icemaker |
| 12 | 638008409 | Bulkhead Fitting |
| 13 | 638007206-04 | Nut, Jam 1/2-20 |
| 14 | 638004393 | Dryer |
| 15 | 630900942 | Cover, Dispense Tray |
| | 638036867-001 | Clip Cover |
| 16 | 638036213 | Drop Tube Assembly |
| 17 | 638036269 | Clamp, Dispense Tray |
| 18 | 638036869-001 | Dispense Tray Assembly |
| 19 | 7231762 | Gasket, Foam 3/4 x 3/4 x 13 Lg. |
| 20* | 20654 | Access Port |
| 21* | 23988 | Replacement Cap |
| 22 | 630900953 | Thermostat Well |
| 23* | 638007208-03 | Nut, Palnut, 3/4-16 |
| 24* | 638008834 | Bracket, Mounting Condenser |
| 25* | 638009755 | Pressure Switch |
| 26* | 620055903 | Water Regulating Valve |
| 27 | 161998009 | Relay Start 115V RST 64 |
| | 620054242 | Relay Start 115V RST 64 For unit with S/N's starting with 62C |
| | 638090242 | Relay Start 208/230V, 60Hz |
| 29* | 161998015 | Relay Start 220V, 50Hz |
| | 620055914 | Relay Start 220V 50Hz |
| 30 | 161192004 | Capacitor Run 115V (For unit with S/N's starting with 62A and 62B) |
| | 620054254 | Capacitor Run 115V RST64 (For unit with S/N's starting with 62C) |
| 31* | 638090123 | Capacitor Run 208/230V, 60Hz |

| | | |
|-----|-----------|--|
| 32* | 161165008 | Capacitor Start 115V |
| | 620054243 | Capacitor Run 115V RST64 (For unit with S/N's starting with 62C) |
| 33* | 25335 | Capacitor Start 208/230V, 60Hz |
| | | Capacitor Start 220V, 50Hz |
| | 620055913 | Capacitor Start 220V, 50Hz (For unit with S/N's starting with 62O) |
| 34* | 638090235 | Condenser Shroud |
| 35 | 620054256 | Kit Comp Replacement WCC700 |
| 36 | 629097159 | Kit Comp Replacement WCC700-W |

NOTE: * = Not Shown



FRONT VIEW



LEFT VIEW

Figure 3. 700 Series



REFRIGERATION AND ICEMAKER ASSEMBLY MODEL 1000 SERIES

| Item No. | Part No. | Description |
|----------|---------------|----------------------------------|
| 1 | | Front End Assembly |
| 2 | 638090321 | Compressor, 208/230V |
| | 638090331 | Compressor, 220V 50Hz |
| 3 | | Electrical Box Assembly |
| 4 | 638036121 | Condenser-Air Cool |
| | 638009776 | Condenser-Water Cool |
| 5 | 638090344-001 | Fan Motor Assembly, 208/230V |
| | 638090344-002 | Fan Motor Assembly, 220V 50Hz |
| 6 | 630900312 | Fan Blade |
| 7 | 638004391 | Bracket, Fan Motor |
| 8 | 638090349 | Bracket, Mounting Ice maker |
| 9 | 638036087 | Clamp, Dispense Tray |
| 10 | 638036872-001 | Dispense Tray Assembly |
| 11 | 630900948 | Cover, Dispense Tray |
| | 638036867-001 | Clip Cover |
| | 630900954 | Thermostat Well |
| 12 | 638036020-001 | Drop Tube Assembly |
| 13 | 638090350 | Water Level Control Assembly |
| 14 | 638036069 | Reed Switch Assembly |
| 15 | 638090347 | Bracket Water Level |
| 16 | 638090326 | Expansion Valve |
| 17 | 638007262-01 | Nut, Tinnerman |
| 18 | 638090055 | Dryer |
| 19 | 638008409 | Bulkhead Fitting |
| 20 | 638007206-04 | Nut, Bulkhead Fitting |
| 20* | 638007921 | Connector, UL Ground |
| 21* | 638007295 | Bulkhead Fitting, Water Cool |
| 22* | 638009711 | Support, Condenser, Water Cooled |
| 23* | 638009712 | Clip Condenser, Water Cooled |
| 24* | 638007208-03 | Nut, Palnut, 3/4-16 |
| 25* | 164980002 | Valve, Water Regulating |
| 26* | 638036188 | Receiver, Upright |
| 27* | 638036194 | Valve, Head Pressure |
| 28* | 638037110 | Washer, Seal |
| 29* | 638037111 | Valve, Rotolock |
| 30* | 638036014 | Cover, Electrical Box |
| | | Spacer |
| | | Plunger, Rubber |
| | | Washer, Fiber |
| | | Nut |
| | | Sleeve |
| | | Nut, Compression |

| Item No. | Part No. | Description |
|----------|--------------|---------------------------------|
| 31 | 63030819 | Float & Stem Assembly |
| | | Magnet & Bracket Assembly |
| | | Float |
| 32 | 638008483 | Reed Switch Assembly WCC700/500 |
| | 638036069 | Reed Switch Assembly WCC1000 |
| | 638092531 | Reed Switch Assembly WCC2000 |
| 33 | 638004717 | Bracket Water Level |
| | 638090347 | Bracket Water Level WCC1000 |
| | 638092529 | Bracket Water Level WCC2000 |
| 34 | 638008097 | Clamp, Reed Switch |
| 35 | 638007002-01 | Screw |

NOTE: * = Not Shown

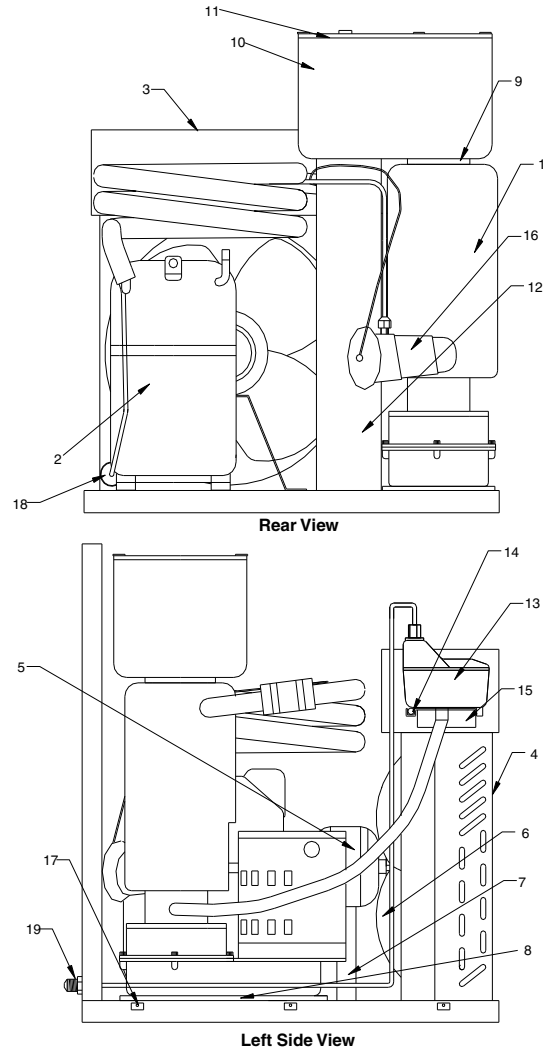


Figure 4. 1000 Series

REFRIGERATION AND ICEMAKER ASSEMBLY MODEL WCC1401-A

| Item No. | Part No. | Description |
|----------|---------------|------------------------------|
| 1 | | Front End Assembly |
| 2 | 630900925 | Compressor, 208/230V |
| 3 | | Electrical Box Assembly |
| 4 | 161870005 | Condenser |
| 5 | 630900547 | Water Level Control Assembly |
| | 638008483 | Reed Switch Assembly |
| 6 | 638090226 | Thermal Expansion Valve |
| 7 | 630900308 | Fan Motor Assembly, 208/230V |
| 8 | 630900309 | Fan Blade |
| 9 | 630900919 | Fan Motor Bracket |
| 10 | 638036218 | Icemaker Mounting Bracket |
| 11 | 638008409 | Bulkhead Fitting |
| 12 | 638007206-04 | Jam Nut, 1/2-20 |
| 13 | 638090055 | Dryer |
| 14 | 630900942 | Dispense Tray Cover |
| | 638036867-001 | Cover Clip |
| 15 | 630250204 | Drop Tube Assembly |
| 16 | 638036087 | Dispense Tray Clamp |
| 17 | 630001255 | Dispense Tray Assembly |
| 18 | 162978003 | Service Valve Assembly |
| 19 | 23988 | Replacement Cap |
| 20 | 630900953 | Thermostat Well |

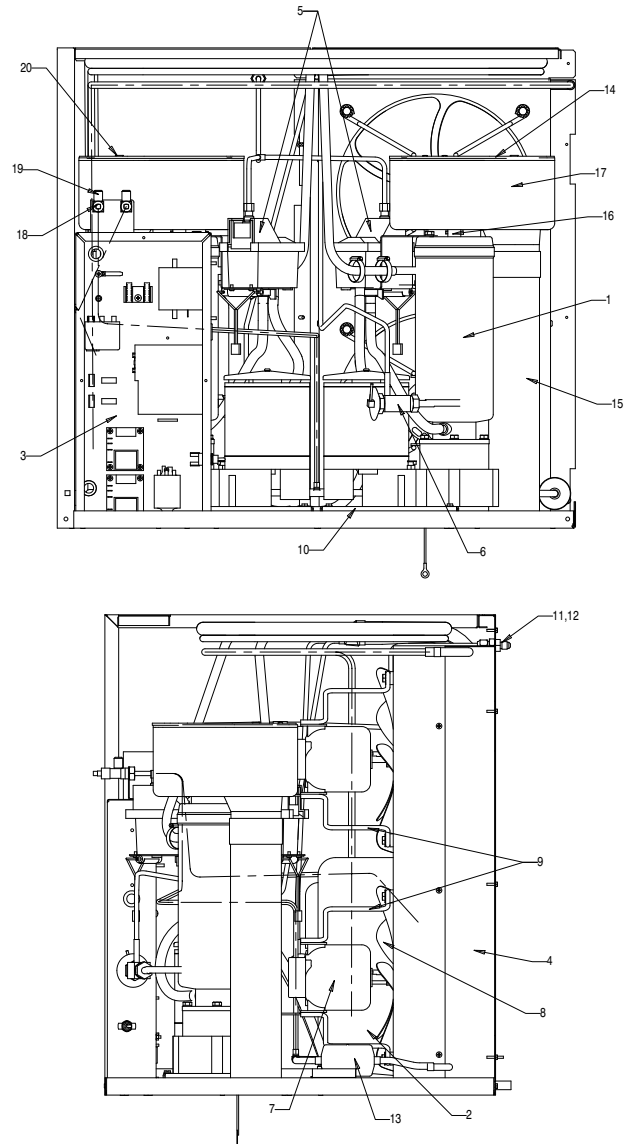


Figure 5. WCC1401-A



REFRIGERATION AND ICEMAKER ASSEMBLY MODEL WCC1400-R

| Item No. | Part No. | Description |
|----------|---------------|------------------------------|
| 1 | | Front End Assembly |
| 2 | | Electrical Box Assembly |
| 3 | 630900547 | Water Level Control Assembly |
| | 638008483 | Reed Switch Assembly |
| 4 | 638090226 | Thermal Expansion Valve |
| 5 | 638036218 | Icemaker Mounting Bracket |
| 6 | 638008409 | Bulkhead Fitting |
| 7 | 638007206-04 | Jam Nut, 1/2-20 |
| 8 | 638090055 | Dryer |
| 9 | 630900942 | Dispense Tray Cover |
| | 638036867-001 | Cover Clip |
| 10 | 638036213 | Drop Tube Assembly |
| 11 | 638036087 | Dispense Tray Clamp |
| 12 | 630001255 | Dispense Tray Assembly |
| 13 | 630900953 | Thermostat Well |

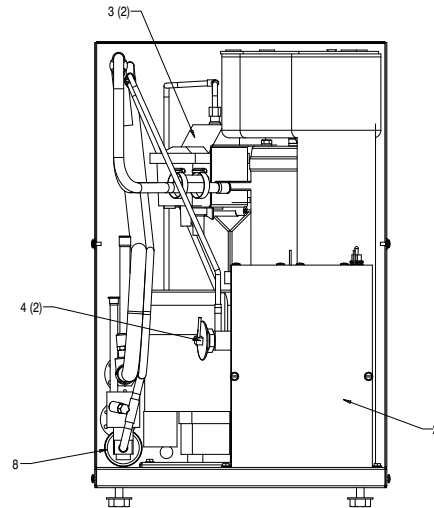
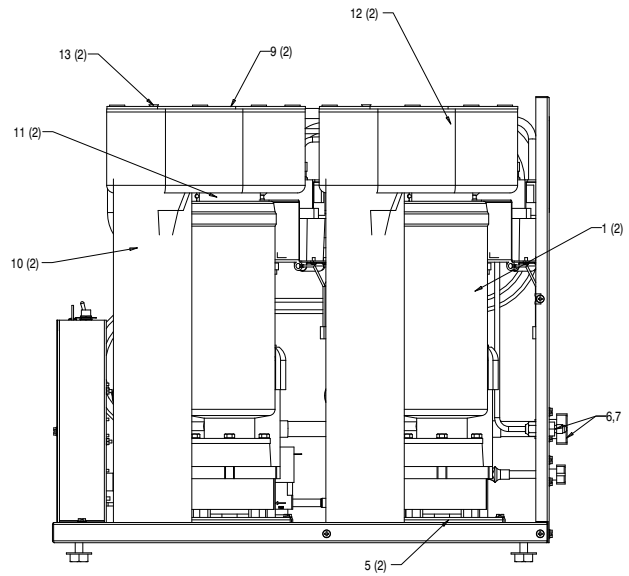


Figure 6. WCC1400-R

REFRIGERATION AND ICEMAKER ASSEMBLY MODEL WCU1401

| Item No. | Part No. | Description |
|----------|-----------|-------------------------|
| 1 | 630900925 | Compressor, 208/230V |
| 2 | | Electrical Box Assembly |
| 3 | 161870007 | Condenser |
| 4 | 630001221 | Fan Motor Assembly |
| 5 | 630900246 | Fan Blade |
| 6 | 630901097 | Receiver |
| 7 | 166226000 | Head Pressure Control |
| 8 | 630901364 | Low Pressure Switch |
| 9 | 23988 | Replacement Cap |

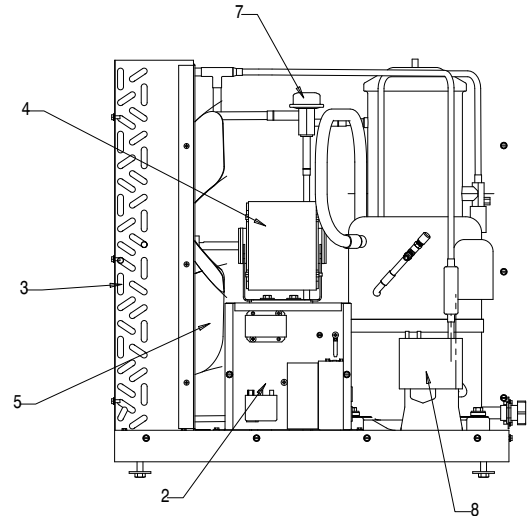
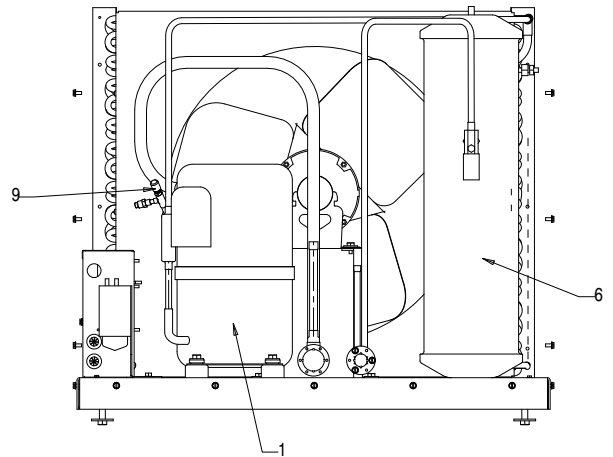


Figure 7. WCU1401



FRONT END ASSEMBLY MODEL 500 SERIES

| Item No. | Part No. | Name |
|----------|---------------|--|
| 1 | 638090001 | Gearmotor Less Cable, Seals O-ring seal-mount 115V |
| | 638090001-001 | Gearmotor Less Cable, Seals O-ring seal-mount 230V 60 Hz |
| | 638090001-002 | Gearmotor Less Cable, Seals O-ring seal-mount 220V 50 Hz |
| | 638090050-002 | Gearmotor - 115V Service Kit |
| | 638090050-003 | Gearmotor - 230V Service Kit |
| | 638090050-005 | Gearmotor - 220V Service Kit |
| 2 | 638090116 | Shaft Seal Seat |
| 3 | 638090051 | Shaft Seal |
| 4 | 638090053 | E-Ring |
| 5 | 168833000 | Washer, Lock 1/4 Split |
| 6 | 161179001 | Screw, 1/4-20 x 3/4 Lg. HHMS |
| 7 | 638036373-001 | Evaporator Assembly |
| 8 | 638090113 | Auger |
| 9 | 638090117 | Extruding Head, WCC |
| | 638090118 | Extruding Head, WCF |
| 10 | 638090126 | Expansion Valve |
| 11 | 638036218 | Bracket, Mounting Icemaker |
| 12 | 638090111 | Auger Nut |
| 13 | 638090119 | Bearing Nylon |
| 14 | 638090120 | Bearing Delrin |

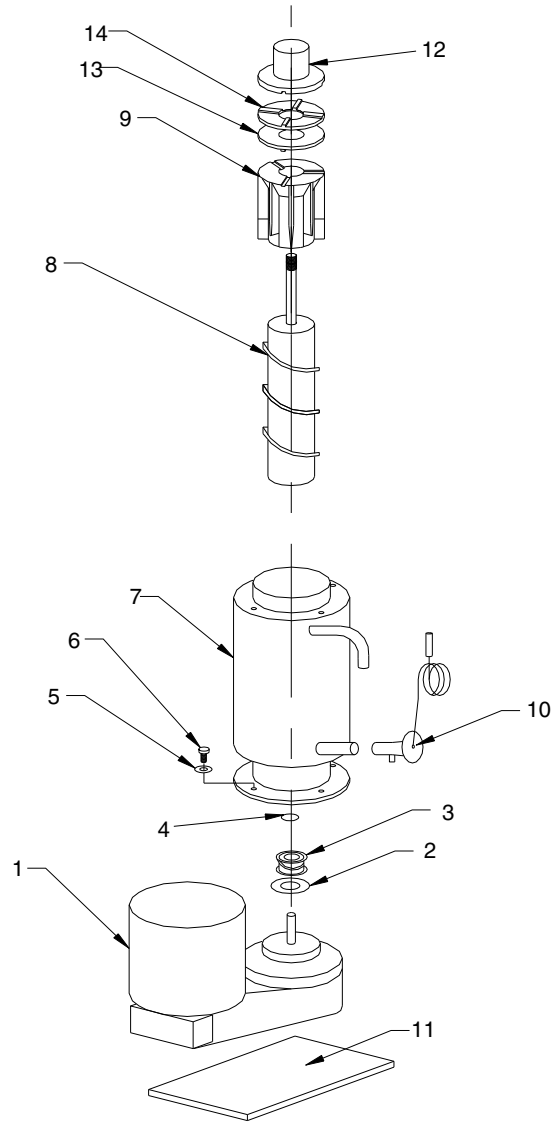


Figure 8. Front End Assembly 500 Series

FRONT END ASSEMBLY MODEL 700 SERIES FLAKERS

| Item No. | Part No. | Name |
|----------|---------------|--|
| 1 | 638090001 | Gearmotor Less Cable, Seals, O-ring, Seal-mount 115V |
| | 638090001-001 | Gearmotor Less Cable, Seals, O-ring, Seal-mount 230V, 60Hz |
| | 638090001-002 | Gearmotor Less Cable, Seals, O-ring, Seal-mount 220V, 50Hz |
| | 638090050 | Gearmotor - 115V Service Kit |
| | 638090050-004 | Gearmotor - 230V Service Kit |
| | 638090050-006 | Gearmotor - 220V Service Kit |
| 2 | 638090215 | Shaft Seal Mount |
| 3 | 638090051 | Shaft Seal |
| 4 | 638007301-030 | Washer, Lower |
| 5 | 638090053 | E-Ring |
| 6 | 638090216 | Shaft Seal Seat |
| 7 | 168833000 | Washer, Lock 1/4 Split |
| 8 | 161179001 | Screw 1/4-20 x 3/4 Lg. HHMS |
| 9 | 638036282-001 | Evaporator Assembly |
| 10 | 638090213 | Auger |
| 11 | 638090218 | Extruding Head WCF |
| 12 | 638090226 | Expansion Valve |
| 13 | 638036218 | Bracket, Mounting |
| 14 | 638090211 | Auger Nut |
| 15 | 638090219 | Bearing Nylon |
| 16 | 638090220 | Bearing Delrin |

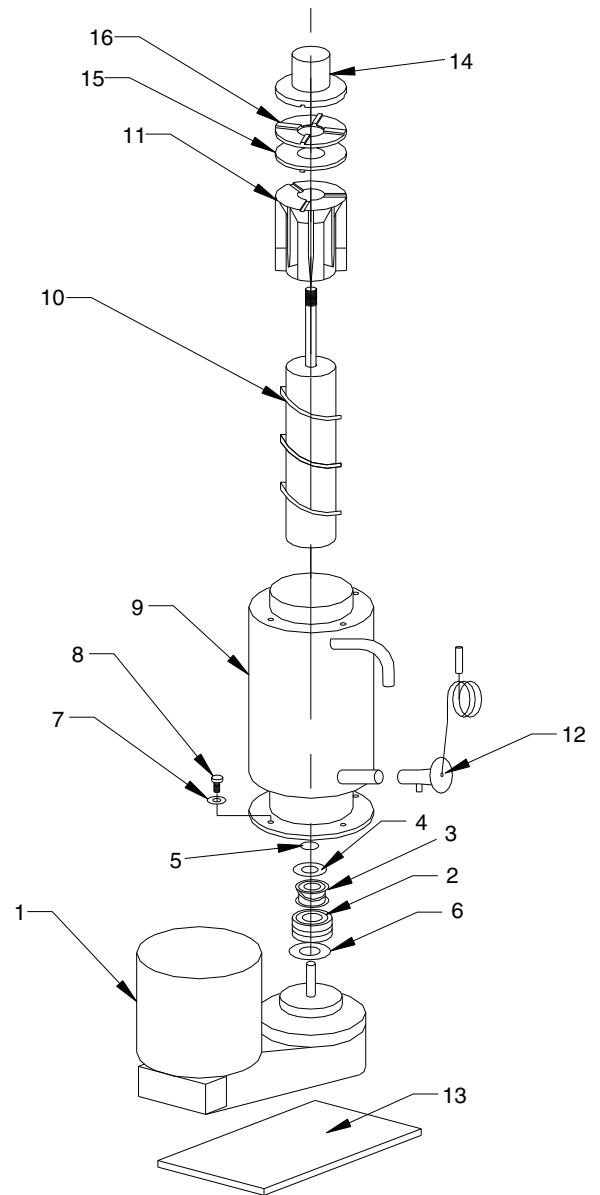


Figure 9. Front End Assembly 700 Series



FRONT END ASSEMBLY MODEL 700 AND 1400 SERIES CHUNKLETS

| Item No. | Part No. | Name |
|----------|---------------|--|
| 1 | 638090001 | Gearmotor Less Cable, Seals, O-ring, Seal-mount 115V |
| | 638090001-001 | Gearmotor Less Cable, Seals, O-ring, Seal-mount 230V, 60Hz |
| | 638090001-002 | Gearmotor Less Cable, Seals, O-ring, Seal-mount 220V, 50Hz |
| | 638090050 | Gearmotor - 115V Service Kit |
| | 638090050-004 | Gearmotor - 230V Service Kit |
| | 638090050-006 | Gearmotor - 220V Service Kit |
| 2 | 638090215 | Shaft Seal Mount |
| 3 | 638090051 | Shaft Seal |
| 4 | 638007301-030 | Washer, Lower |
| 5 | 638090053 | E-Ring |
| 6 | 638090216 | Shaft Seal Seat |
| 7 | 168833000 | Washer, Lock 1/4 Split |
| 8 | 161179001 | Screw 1/4-20 x 3/4 Lg. HHMS |
| 9 | 630000651 | Evaporator Assembly |
| 10 | 638090213 | Auger |
| 11 | 630900608 | Extruding Head |
| 12 | 638090226 | Expansion Valve |
| 13 | 638036218 | Bracket, Mounting |
| 14 | 638090211 | Auger Nut |
| 15 | 638090219 | Bearing Nylon |
| 16 | 638090220 | Bearing Delrin |

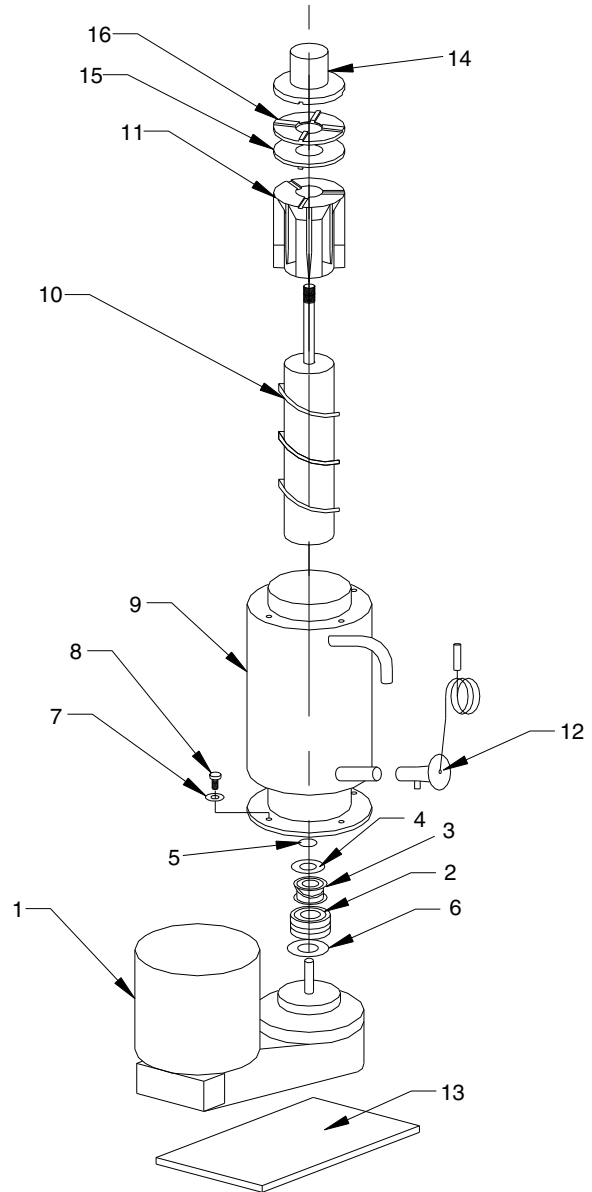


Figure 10. Front End Assembly 700 Series

FRONT END ASSEMBLY MODEL 1000 AND 2000 SERIES

| Item No. | Part No. | Name |
|----------|----------------|--|
| 1 | 638090000-001B | Gearmotor Less Cable, Seals, O-ring, Seal-mount 230V, 60Hz |
| | 638090000-001B | Gearmotor Less Cable, Seals, O-ring, Seal-mount 220V, 50Hz |
| | 638090050-001 | Gearmotor - 230V Service Kit |
| | 638090050-001 | Gearmotor - 220V Service Kit |
| 2 | 638090315 | Shaft Seal Mount |
| 3 | 638090051 | Shaft Seal |
| 4 | 638007301-030 | Washer, Lower |
| 5 | 638090053 | E-Ring |
| 6 | 638090316 | Shaft Seal Seat |
| 7 | 168833000 | Washer Lock 1/4 Split |
| 8 | 161179001 | Screw, 1/4-20 x 3/4 Lg. HHMS |
| 9 | 638090335 | Evaporator Assembly |
| 10 | 638090313 | Auger |
| 11 | 638090317 | Extruding Head WCC |
| | 638090318 | Extruding Head WCF |
| 12 | 638090326 | Expansion Valve |
| 13 | 638090349 | Bracket, Mounting |
| 14 | 638090311 | Auger Nut |
| 15 | 638090319 | Bearing Nylon |
| 16 | 638090320 | Bearing Delrin |

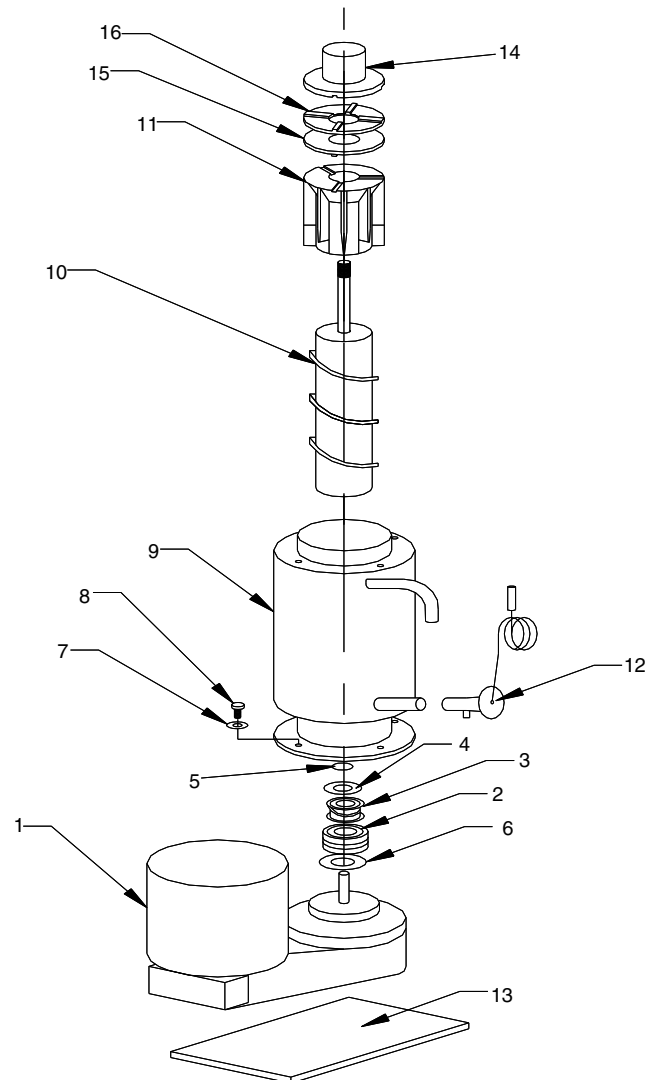


Figure 11. Front End Assembly 1000 and 2000 Series



ELECTRICAL BOX ASSEMBLY MODEL 500 AND 700 SERIES

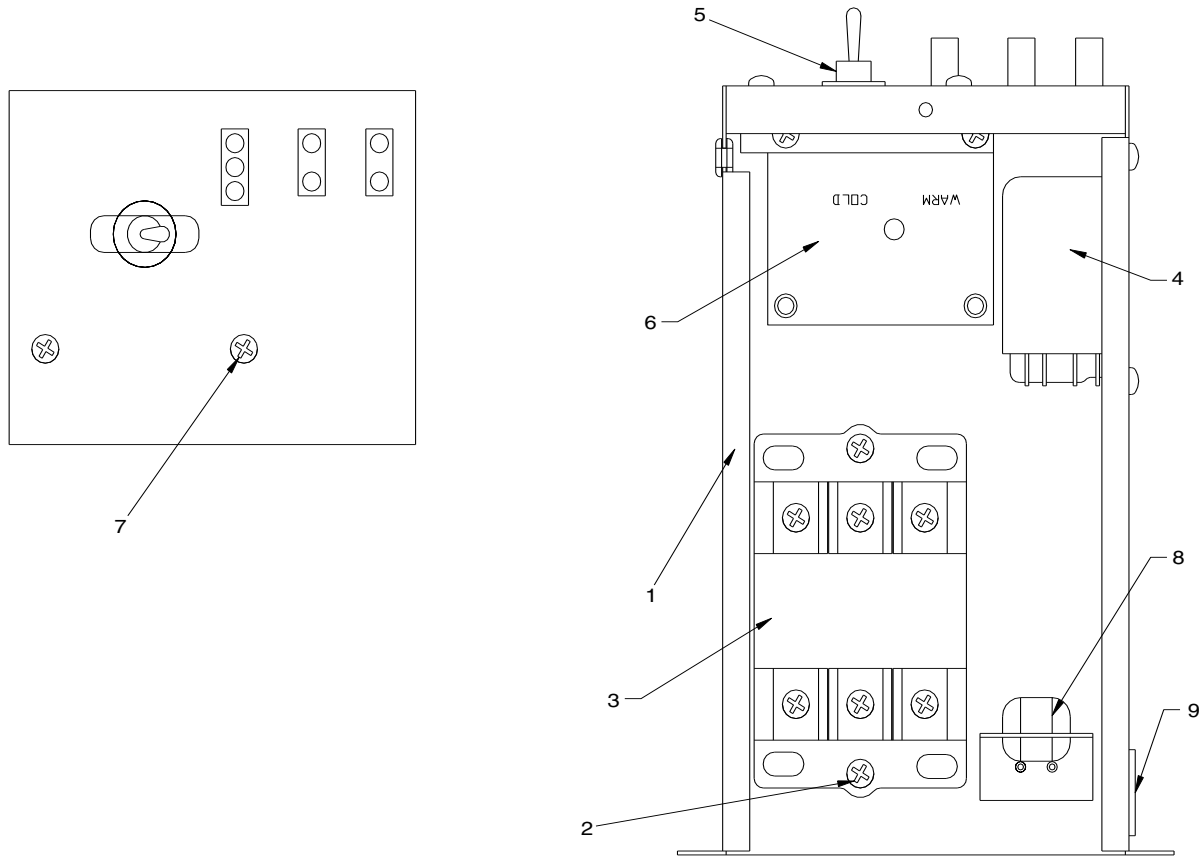


Figure 12. Electrical Box 500 and 700 Series

| Item No. | Part No. 500/700 (115V) | Part No. 701 (208/230V) | Part No. 502/702 (220/240V) | Name | Qty. |
|----------|-------------------------------|-------------------------------|-----------------------------------|-----------------------|------|
| 1 | 630000880 | 630000880 | 630000880 | Electrical box | 1 |
| 2 | 638007026-03 | 638007026-03 | 638007026-03 | Screw 8/32 x 5/8 RHMS | 2 |
| 3 | 638090052 | 638090054 | 638090054 | Contactor | 1 |
| 4 | 638003898 | 638010002 | 638010002 | Relay | 1 |
| 5 | 638004791 | 638004791 | 638004791 | Switch - Toggle | 1 |
| 6 | 630900946 | 630900947 | 630900947 | Bin Control | 1 |
| 7 | 638007026-01 | 638007026-01 | 638007026-01 | Screw 8/32 x 3/8 RHMS | 2 |
| 8 | 163424000 | 163424000 | 163424000 | Strain Relief | 1 |
| 9 | 163529000 | 163529000 | 163529000 | Bushing | 1 |

ELECTRICAL BOX ASSEMBLY MODEL WCC1401-A

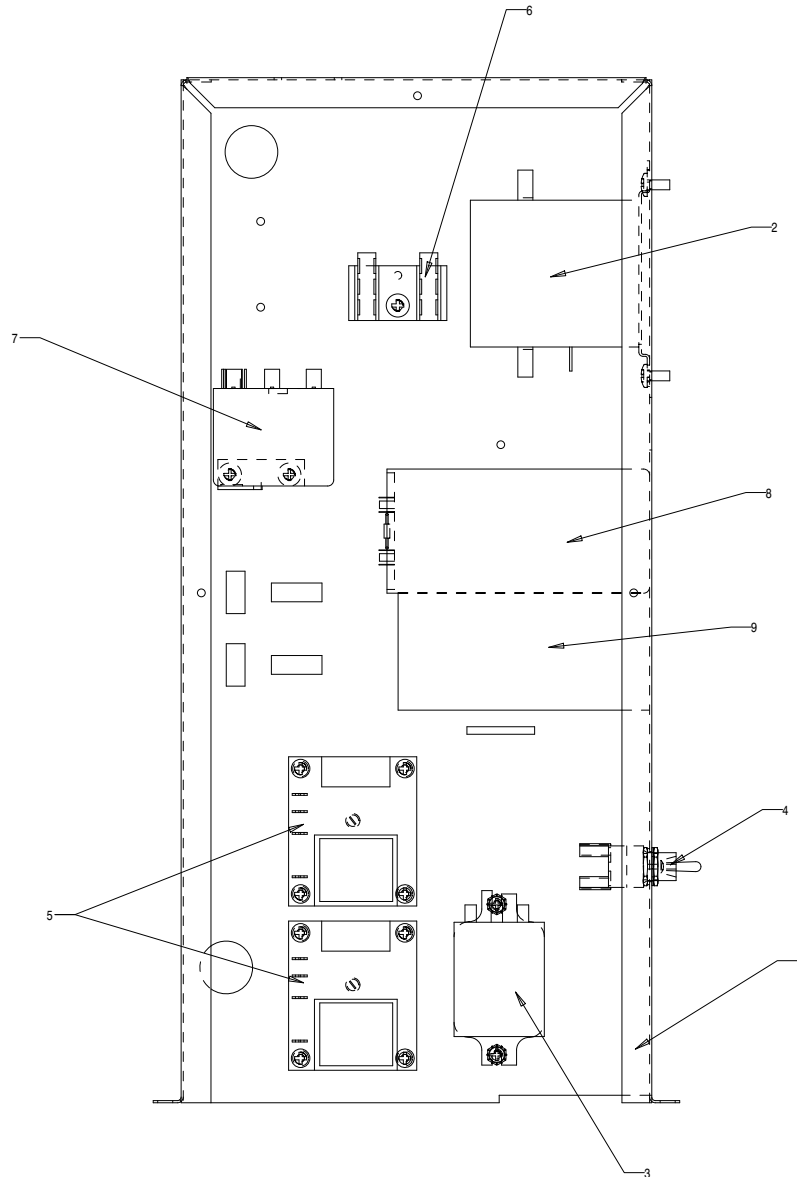


Figure 13. Electrical Box WCC1401-A

| Item No. | Part No. | Name |
|----------|-----------|-----------------|
| 1 | 630201706 | Electrical Box |
| 2 | 638090054 | Contactor |
| 3 | 638010002 | Relay |
| 4 | 638004791 | Switch-Toggle |
| 5 | 630900947 | Bin Control |
| 6 | 309898000 | Terminal Block |
| 7 | 630900985 | Start Relay |
| 8 | 630901026 | Start Capacitor |
| 9 | 630900967 | Run Capacitor |

ELECTRICAL BOX ASSEMBLY MODEL WCC1400-R

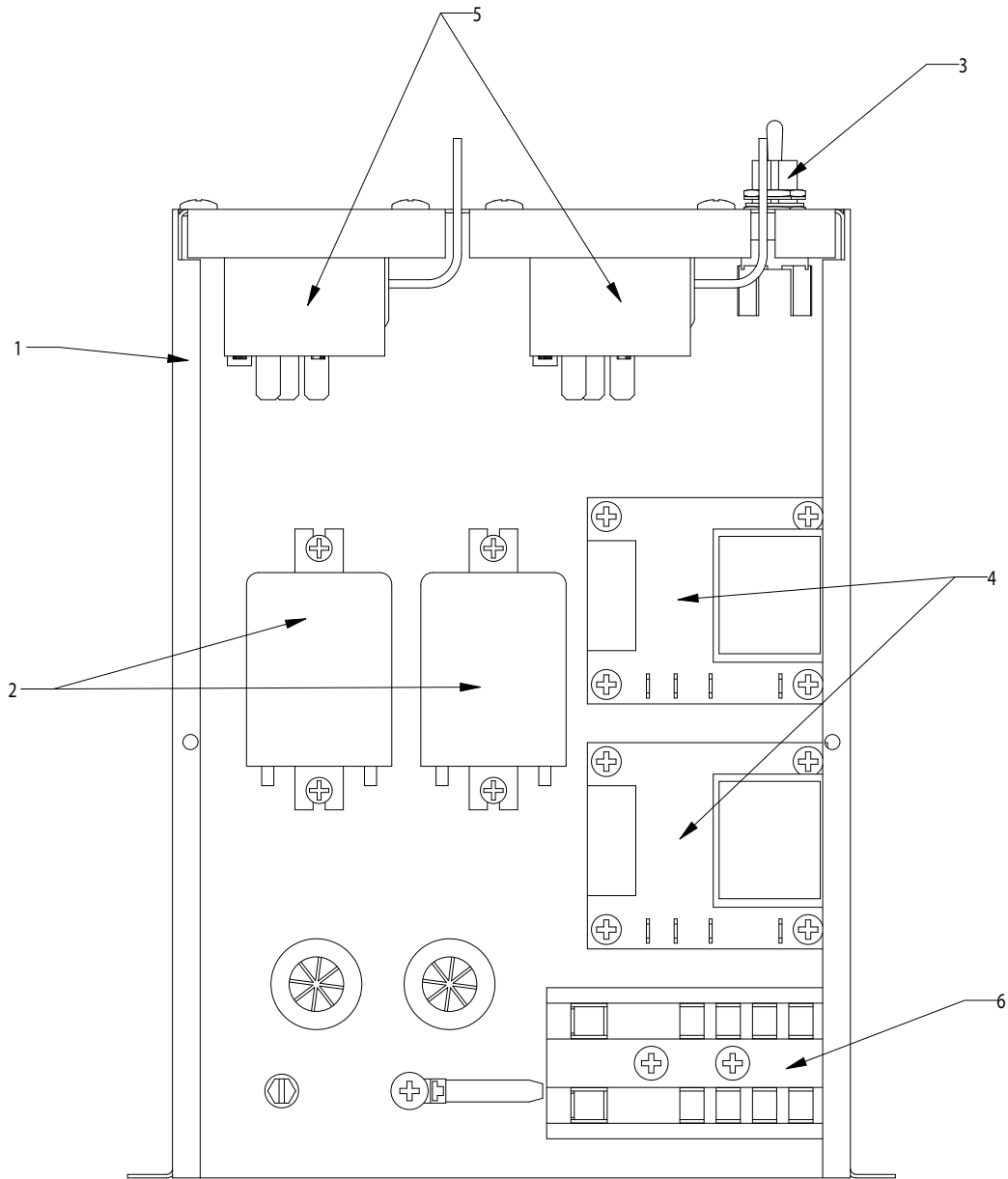


Figure 14. Electrical Box WCC1400-R

| Item No. | Part No. | Name |
|----------|--------------|----------------|
| 1 | 630201597 | Electrical box |
| 2 | 638003898 | Relay |
| 3 | 638004791 | Switch-Toggle |
| 4 | 630900946 | Bin Control |
| 5 | 638009388-01 | Auger Delay |
| 6 | 161838002 | Terminal Block |

ELECTRICAL BOX ASSEMBLY MODEL WCU1401

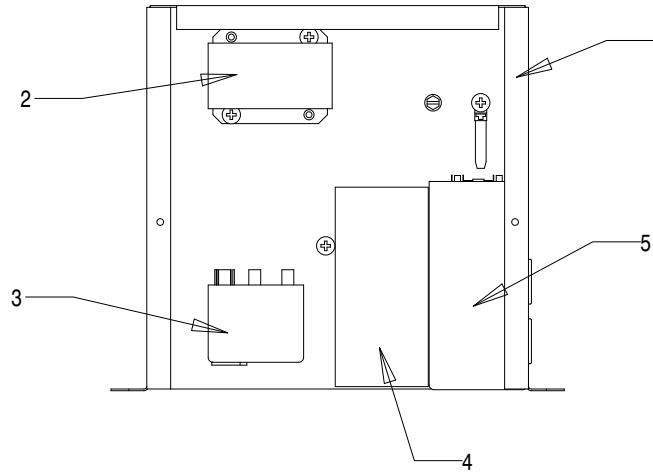


Figure 15. Electrical Box WCU1401

| Item No. | Part No. | Name |
|----------|-----------|-----------------|
| 1 | 630000305 | Electrical box |
| 2 | 40713 | Relay |
| 3 | 630900965 | Start Relay |
| 4 | 630900967 | Run Capacitor |
| 5 | 630901026 | Start Capacitor |



ELECTRICAL ASSEMBLY MODEL 1000 AND 2000 SERIES

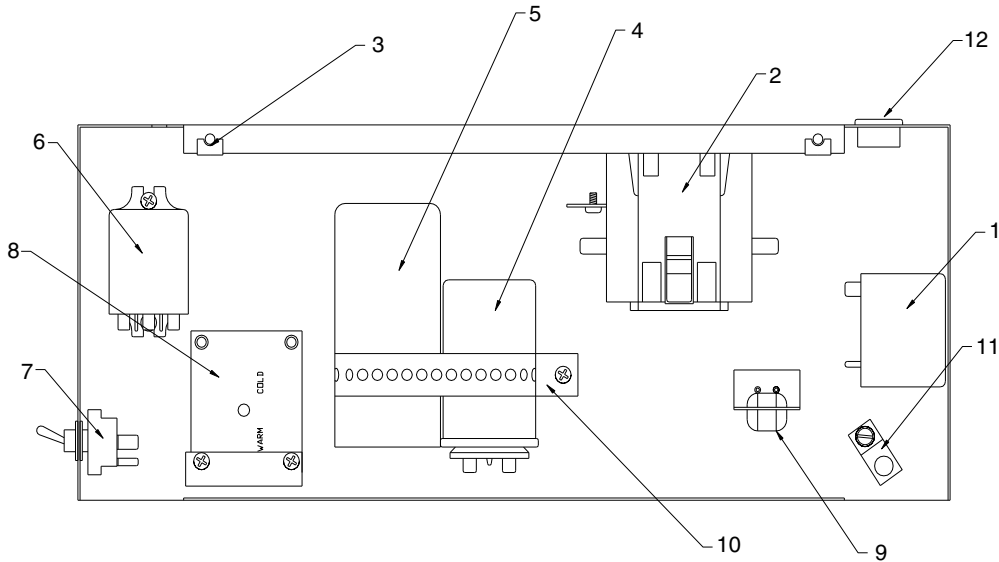


Figure 16. Electrical Assembly 1000 and 2000 Series

| Item No | Part No | Name |
|---------|--------------|--|
| 1 | 638090242 | Start Relay, 208/230V 60 Hz WCC1001 & WCF1101 |
| | | Start Relay, 240V 50 Hz WCC1002 & WCF1102 |
| | | Start Relay, 240V 50 Hz WCC2002 & WCF2202 |
| | 40285 | Start Relay, 208/230 60 Hz WCC2001 & WCF2201 |
| 2 | 638090054 | Contactor, 208/230V 50/60 Hz |
| 3 | 638007262-01 | Nut, Tinnerman |
| 4 | 161192001 | Capacitor Run, 208/230 V 60 Hz WCC1001 & WCF1101 |
| | | Capacitor Run, 240 V 50 Hz WCC1002 & WCF1102 |
| | 638090282 | Capacitor Run, 208/230 V 60 Hz WCC2001 & WCF2201 |
| | | Capacitor Run, 240 V 50 Hz WCC2002 & WCF2202 |

| | | |
|----|-------------|--|
| 5 | 638090324 | Capacitor Start, 208/230 V 60 Hz WCC1001 & WCF1101 |
| | 25335 | Capacitor Start, 240V 50 Hz WCC1002 & WCF1102 |
| | 41044 | Capacitor Start, 208/230 V 60 Hz WCC2001 & WCF2201 |
| | 161165013 | Capacitor Start, 240 V 50 Hz WCC2002 & WCF2202 |
| 6 | 638010002 | Relay |
| 7 | 638004791 | Switch Toggle |
| 8 | 630900947 | Switch Bin Control |
| 9 | 63800734103 | Strain Relief |
| 10 | 630200166 | Capacitor Mounting Strap |
| 11 | 638007921 | Ground Connector |
| 12 | 163529000 | Bushing |

IMI Cornelius Inc.
www.cornelius.com