

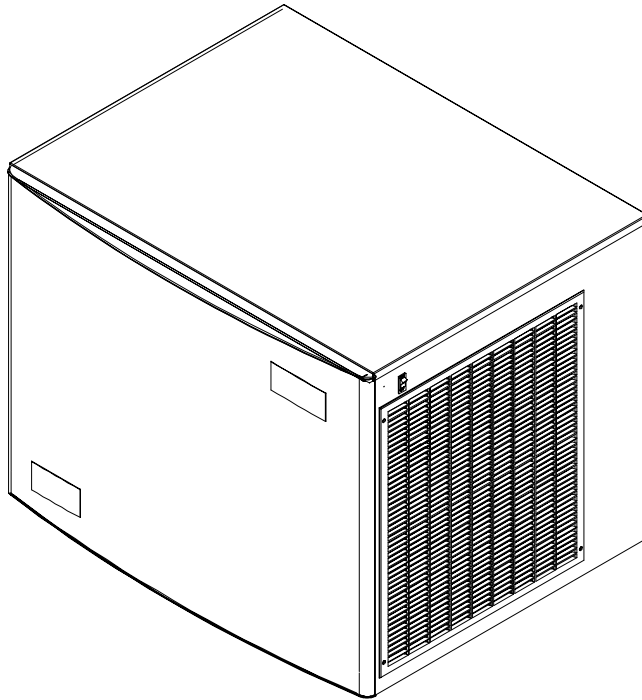


ILLUSTRATED PARTS LIST

XTREME ICE MAKER (322 AND 330 SERIES)

MODEL NO.

631803001
631803002
631803003
631803004
631803020
631803021





ILLUSTRATED PARTS LIST

XTREME ICE MAKER (322 AND 330 SERIES)

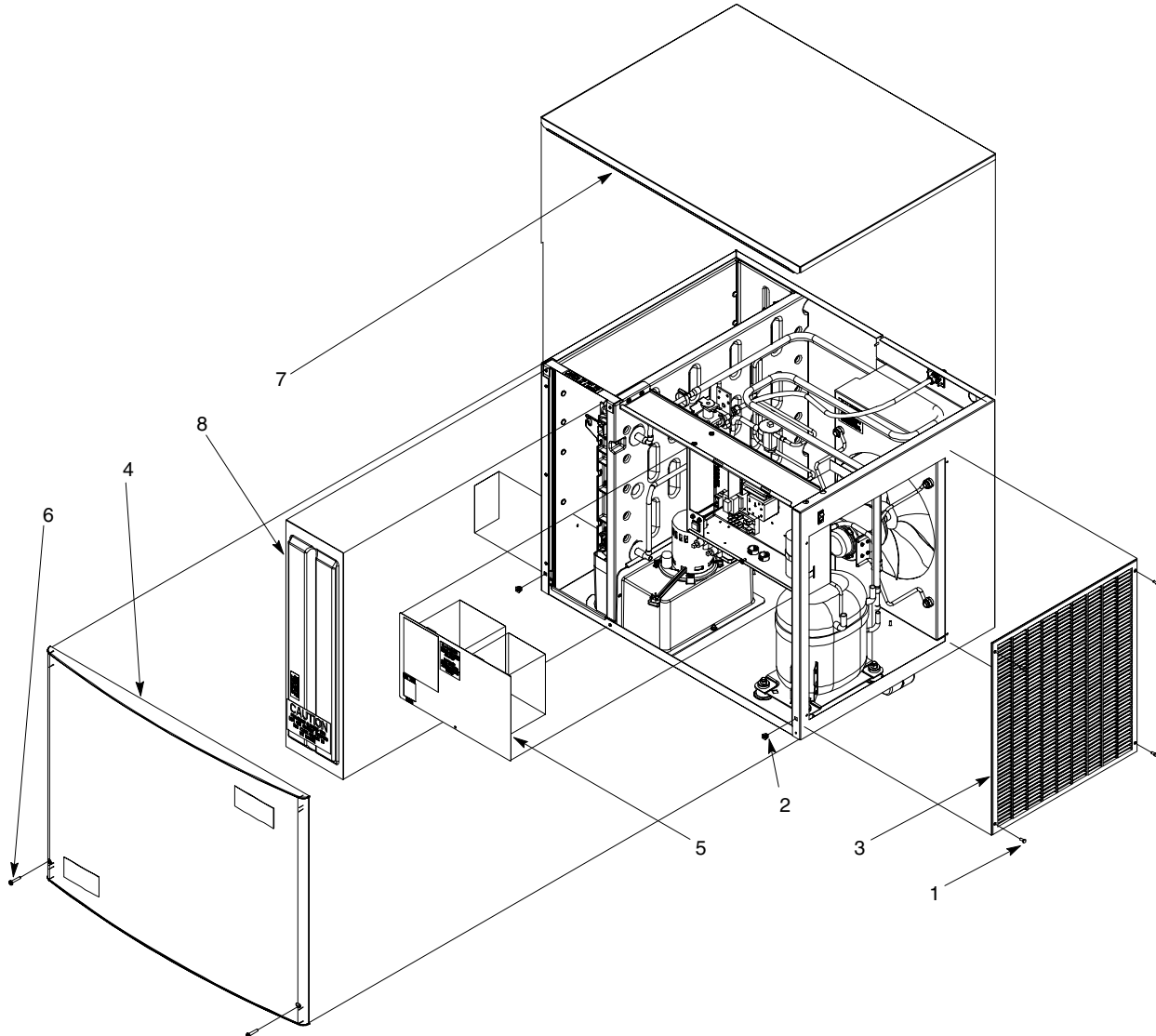


FIGURE 1. GENERAL ASSEMBLY (AIR CONDENSER SHOWN)

Item No.	Part No.	Name
1	161168006	Screw TC 8-32 HX 12
2	164510000	Nut Grommet
3	166194001	Grille Plstc Blk
4	631500117	Kit Svc Front Panel Asy 30-In. (See Figure 12)
	631500118	Kit Svc Front Panel Asy 22-In. (See Figure 12)

Item No.	Part No.	Name
5	630201041	Cover Elec Box
6	318308000	Screw TR 10-32 PAPH 32
7	630201049	Cover Top (330 Models)
	630201053	Cover Top (322 Models)
8	630900867	Panel Splash



ILLUSTRATED PARTS LIST

XTREME ICE MAKER (322 AND 330 SERIES)

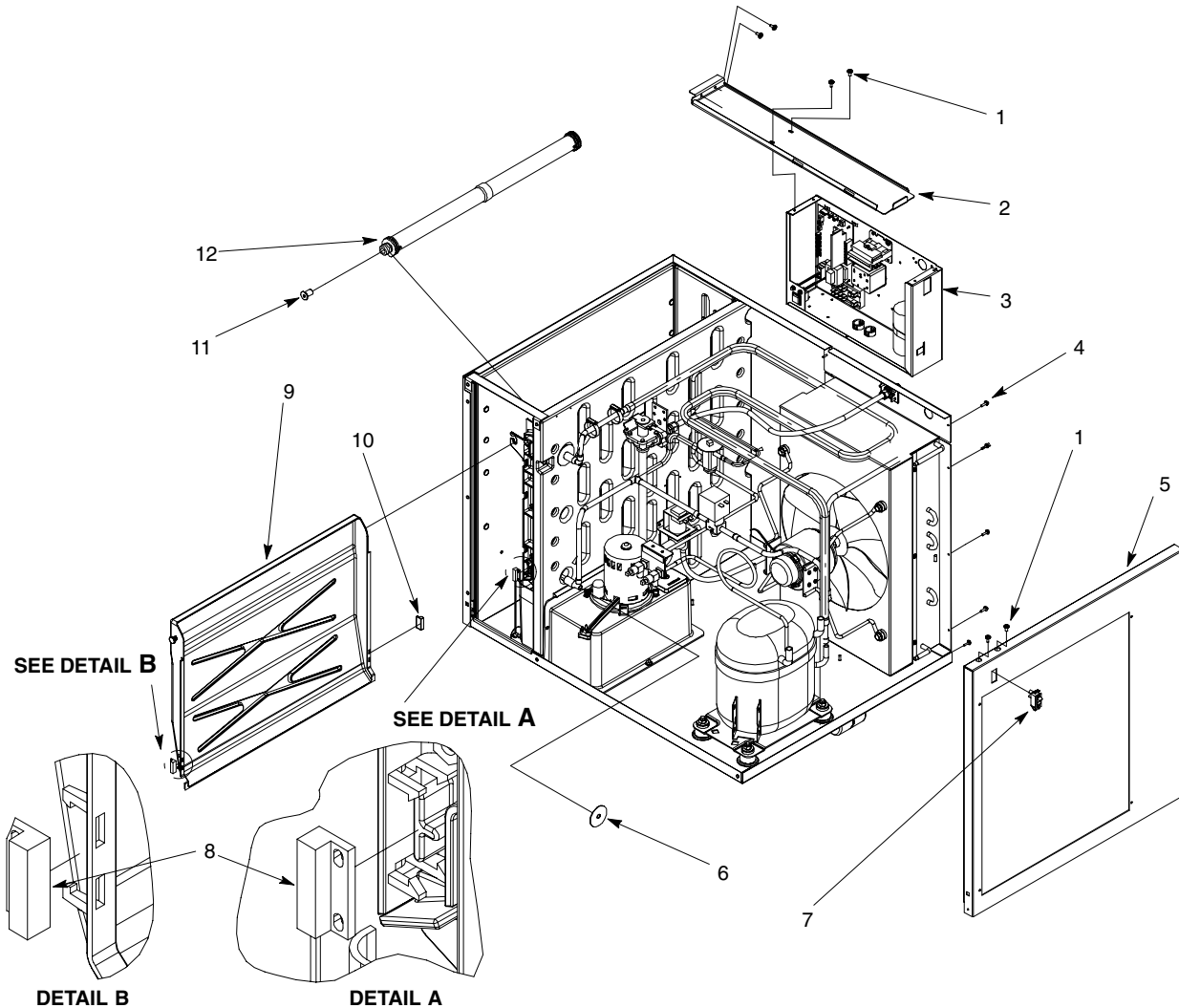


FIGURE 2. TRIM ASSEMBLY (AIR CONDENSER SHOWN)

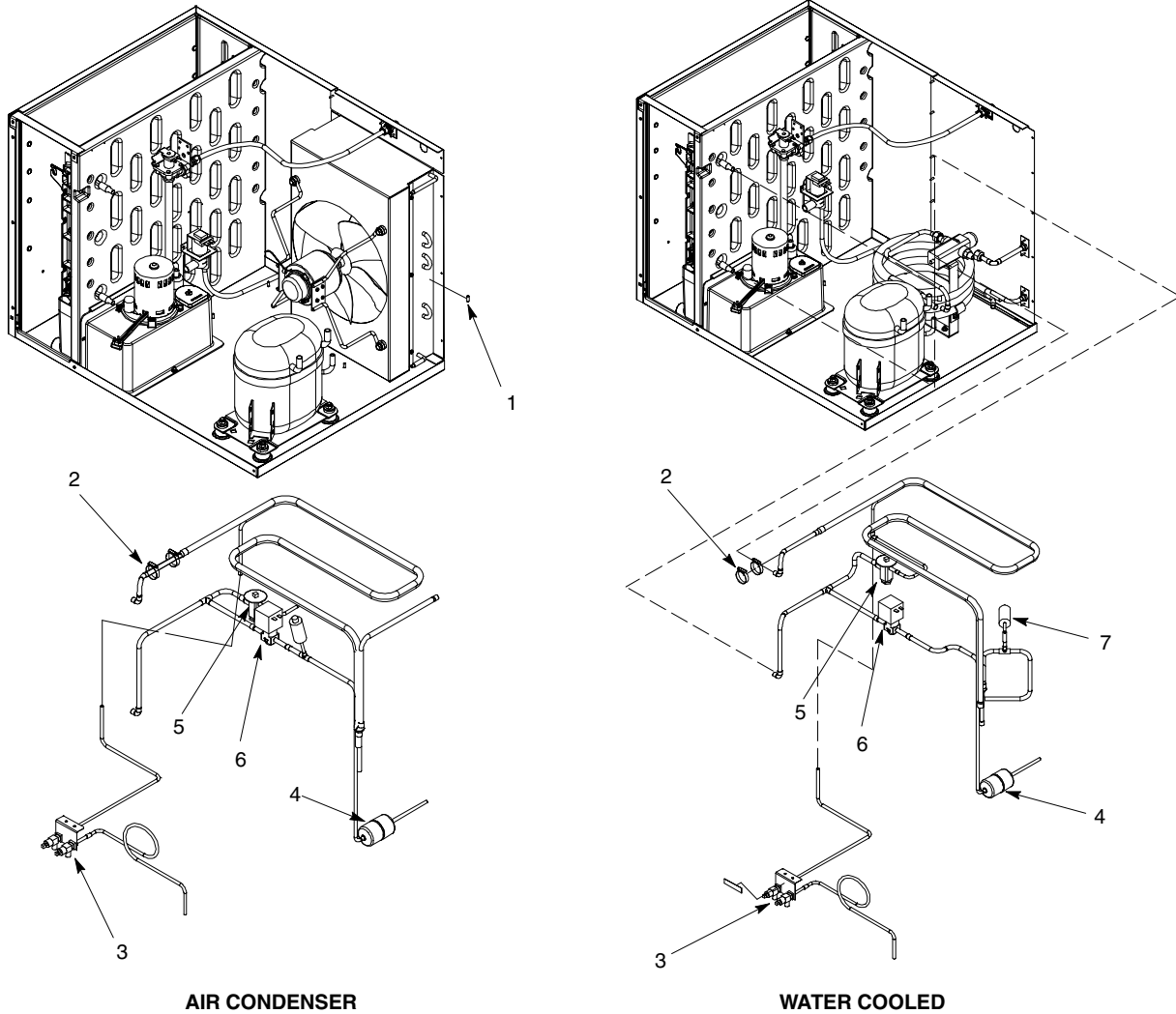
Item No.	Part No.	Name
1	07578	Screw TC 8-32 TRPH 12
2	630201037	Brace Elec Box (322 Model)
	630201033	Brace Elec Box (330 Model)
3		Electrical Box Ass'y (See Figure 9)
4	165384000	Screw SM 8 TA HX 16
5	630201034	Panel Side RH (120V 60HZ)
	630201193	Panel Side RH (230V 50HZ)
6	630900893	Washer Sl .340 I.D.

Item No.	Part No.	Name
7	630900808	Swt Rocker On/Off (120V 60HZ)
	630900924	Swt Rocker On/Off (230V 50HZ)
8	630900798	Switch Proximity
9	630900829	Cover Evap Small
10	630900870	Fitg Placeholder
11	630900908	Orifice Flow Reducer
12	631500120	Kit Svc Water Distributor Asy (See Figure 10)



ILLUSTRATED PARTS LIST

XTREME ICE MAKER (322 AND 330 SERIES)



AIR CONDENSER

WATER COOLED

FIGURE 3. REFRIGERATION ASSEMBLY

Item No.	Part No.	Name
1	161862005	Sensor Tmp (Air Condenser)
2	161426001	Clamp Gear No. 12
3	630000789	Valve and Brkt Svc (322 Series)
	630000786	Valve and Brkt Svc (330 Series)

Item No.	Part No.	Name
4	166184001	Dryer Filter
5	161921006	Valve Expan
6	165629005	Valve Hot Gas (120V 60HZ)
	165629011	Valve Hot Gas (230V 50HZ)
7	165677008	Switch Prs Asy



ILLUSTRATED PARTS LIST

XTREME ICE MAKER (322 AND 330 SERIES)

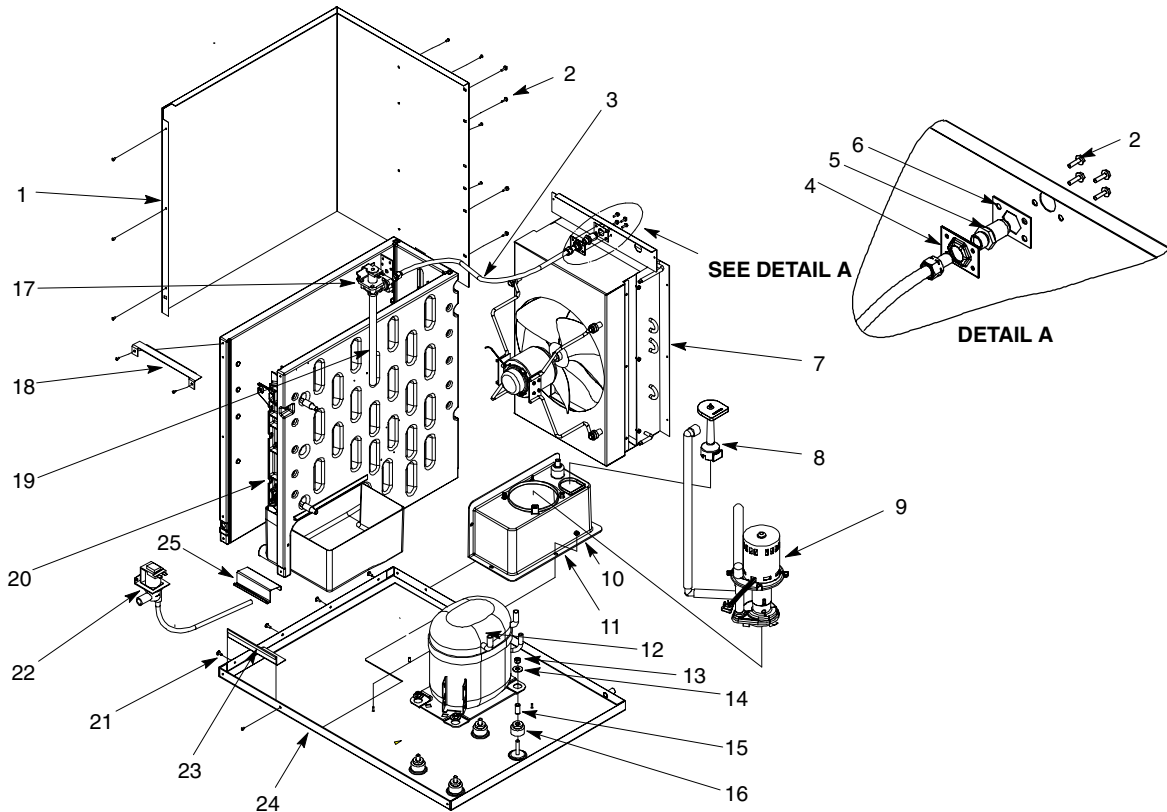


FIGURE 4. BUILD ASSEMBLY (AIR CONDENSER)

Item No.	Part No.	Name
1	630201054	Wrap Cab (322 Series)
	630201042	Wrap Cab (330 Series)
2	165384000	Screw SM 8 TA HX 16
3	650057	Tube Poly .265 I.D. (Sold by the Foot)
4	630200935	Flange Bulkhead Fitg
5	630900783	Fitg Blkhd 3/8 Comp x 3/8 MF
6	630201570	Flange Bulkhead Fitg. Flat
7		Condenser Ass'y (See Figure 8)
8	630900868	Sensor Pressure Pickup
9		Water Pump Ass'y (See Figure 11)
10	630900895	Nut Hex 8-32
11	630900869	Pan Water Wrap
12	631500054	Kit Comp 1/2HP 120V 60HZ
	630900736	Comp 1/2HP 230V 50HZ
13	164083005	Nut Hex 5/16-18

Item No.	Part No.	Name
14	164154001	Washer Ft. .375 I.D.
15	630900745	Sleeve Grommet Comp
16	630900744	Grommet Mount Comp
17	630900786	Valve Solenoid Water (120V 60HZ)
	630900791	Valve Solenoid Water (230V 50HZ)
18	630201036	Brace Bulkhead
19	638006070	Tube Vinyl .375 I.D.
20		Bulkhead Ass'y (See Figure 6)
21	164126000	Screw SM 8 TRPH 16
22	165637008	Valve Dump (120V 60HZ)
	165637009	Valve Dump (230V 50HZ)
23	630201086	Brkt Wtr Pan
24	630000759	Chassis (330 Series)
	630000788	Chassis (322 Series)
25	630201126	Brkt Wtr Pan Cap



ILLUSTRATED PARTS LIST

XTREME ICE MAKER (322 AND 330 SERIES)

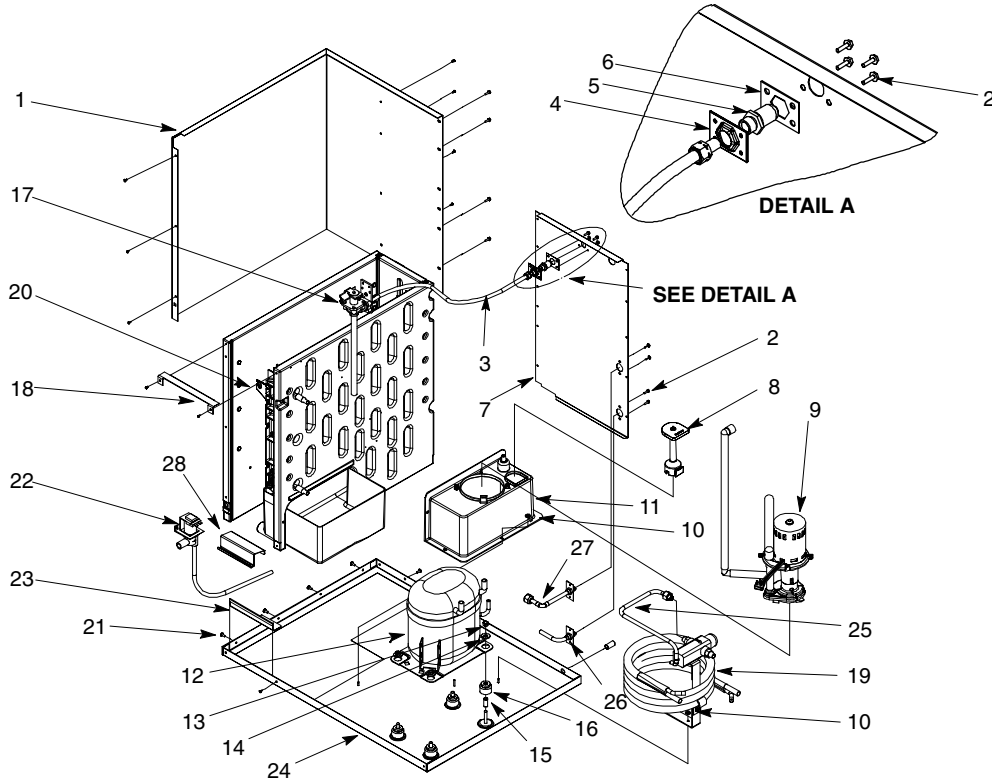


FIGURE 5. BUILD ASSEMBLY (WATER COOLED)

Item No.	Part No.	Name
1	630201054	Wrap Cab (322 Series)
	630201042	Wrap Cab (330 Series)
2	165384000	Screw SM 8 TA HX 16
3	650057	Tube Poly .265 I.D. (Sold by the Foot)
4	630200935	Flange Bulkhead Fitg
5	630900783	Fitg Blkhd
6	630201570	Flange Bulkhead Fitg. Flat
7	630201051	Panel Back
8	630900868	Sensor Pressure Pickup
9		Water Pump Ass'y (See Figure 11)
10	630900895	Nut Nut 8-32
11	630900869	Pan Water Wrap
12	631500054	Kit Comp 1/2HP 120V, 60HZ
	630900736	Comp 1/2HP 230V 50HZ
13	164083005	Nut Hex 5/16-18
14	164154001	Washer Ft. .375 I.D.

Item No.	Part No.	Name
15	630900745	Sleeve Grommet Comp
16	630900744	Grommet Mount Comp
17	630900786	Valve Solenoid Water
18	630201036	Brace Bulkhead
19		Water Coil Ass'y (See Figure 13)
20		Bulkhead Ass'y (See Figure 6)
21	164126000	Screw SM 8 TRPH 16
22	165637008	Valve Dump
23	630201086	Brkt Wtr Pan
24	630000788	Chassis (322 Series)
	630000759	Chassis (330 Series)
25	161763009	Tube Asy Wtr Val to Cdr (322 Series)
26	164832008	Tube Water In Asy
27	164832009	Tube Water Out Asy
28	630201126	Brkt Wtr Pan Cap



ILLUSTRATED PARTS LIST

XTREME ICE MAKER (322 AND 330 SERIES)

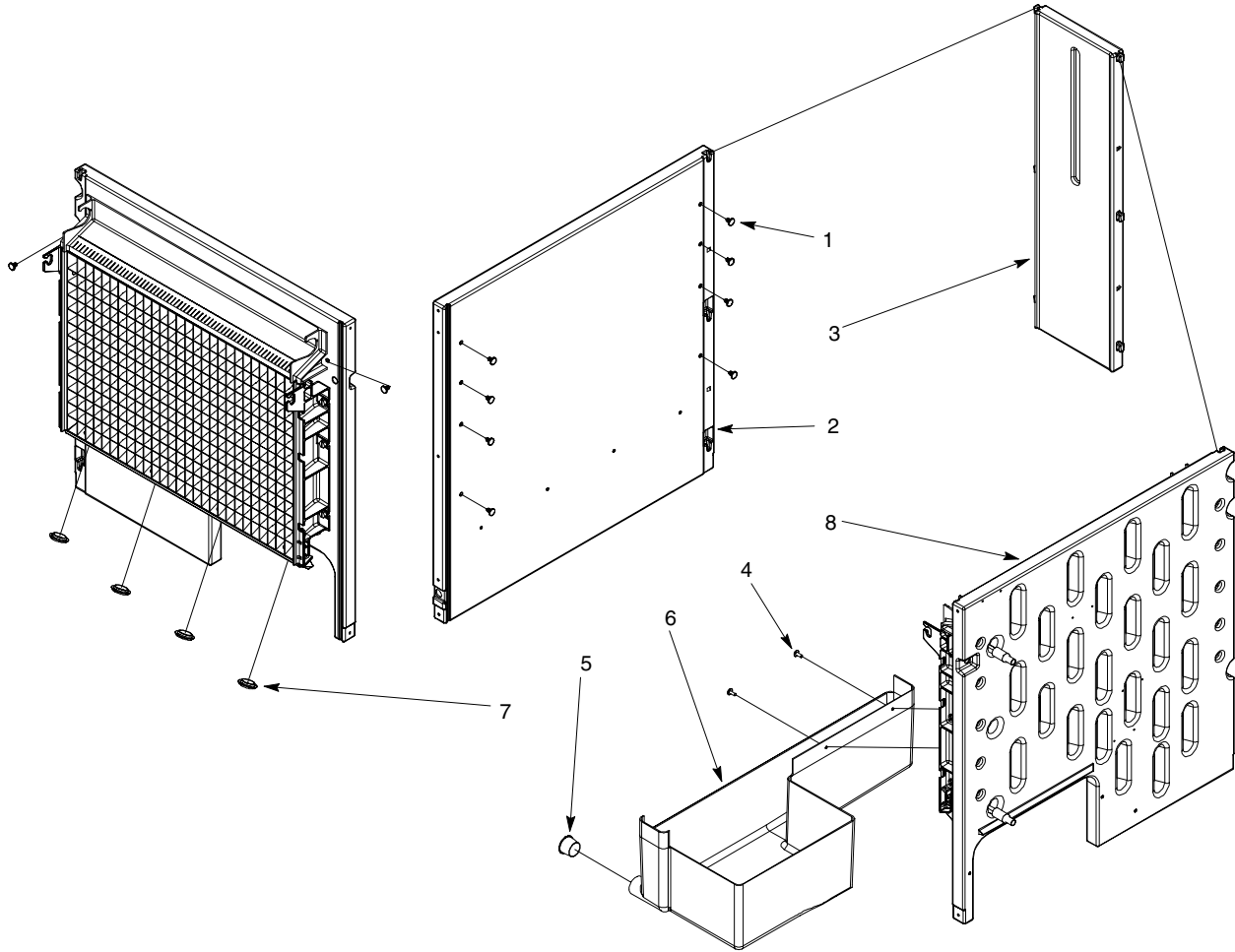


FIGURE 6. BULKHEAD ASSEMBLY

Item No.	Part No.	Name
1	630900903	Clip
2	630900848	Bulkhd LT
3	630900846	Bulkhd Rear
4	630901121	Screw SM 8 HXWS 16 SS

Item No.	Part No.	Name
5	630900934	Cap
6	630900834	Pan Water Small
7	630900892	Plug
8		Evaporator Ass'y (See Figure 7)



ILLUSTRATED PARTS LIST

XTREME ICE MAKER (322 AND 330 SERIES)

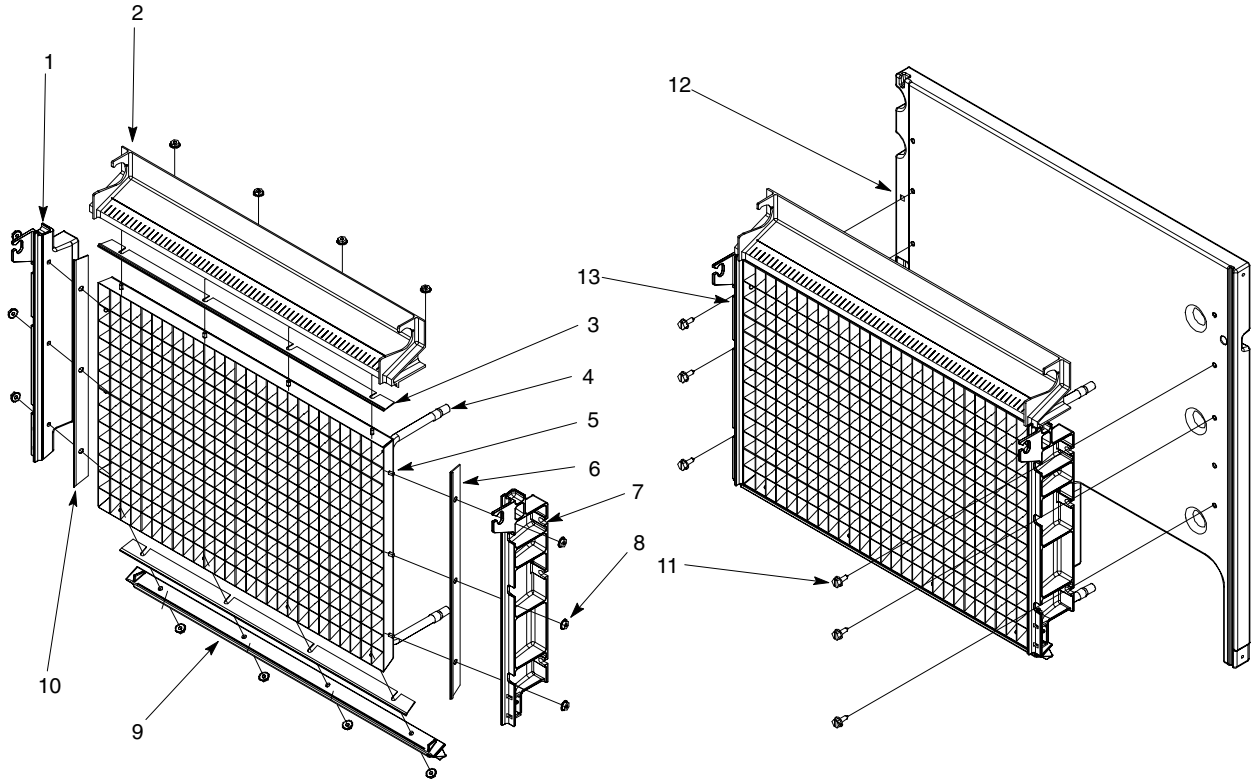


FIGURE 7. EVAPORATOR ASSEMBLY

Item No.	Part No.	Name
1	630900861	Frame Evap LH
2	630900781	Deflector Water
3	630201024	Gasket Frame Evap Top and Bottom
4	630250120	Tube Extension
5	630000814	Evap and Plate RH
6	630201026	Gasket Frame Evap R
7	630901495	Frame Evap RH

Item No.	Part No.	Name
8	630901495	Nut Lock Nylon 8-32
9	630900857	Frame Evap Bottom
10	630201025	Gasket Frame Evap L
11	630900896	Screw SM No. 14 HX 20
12	630900850	Bulkhd RT
13	631500121	Kit Svc Evap Frame Asy



ILLUSTRATED PARTS LIST

XTREME ICE MAKER (322 AND 330 SERIES)

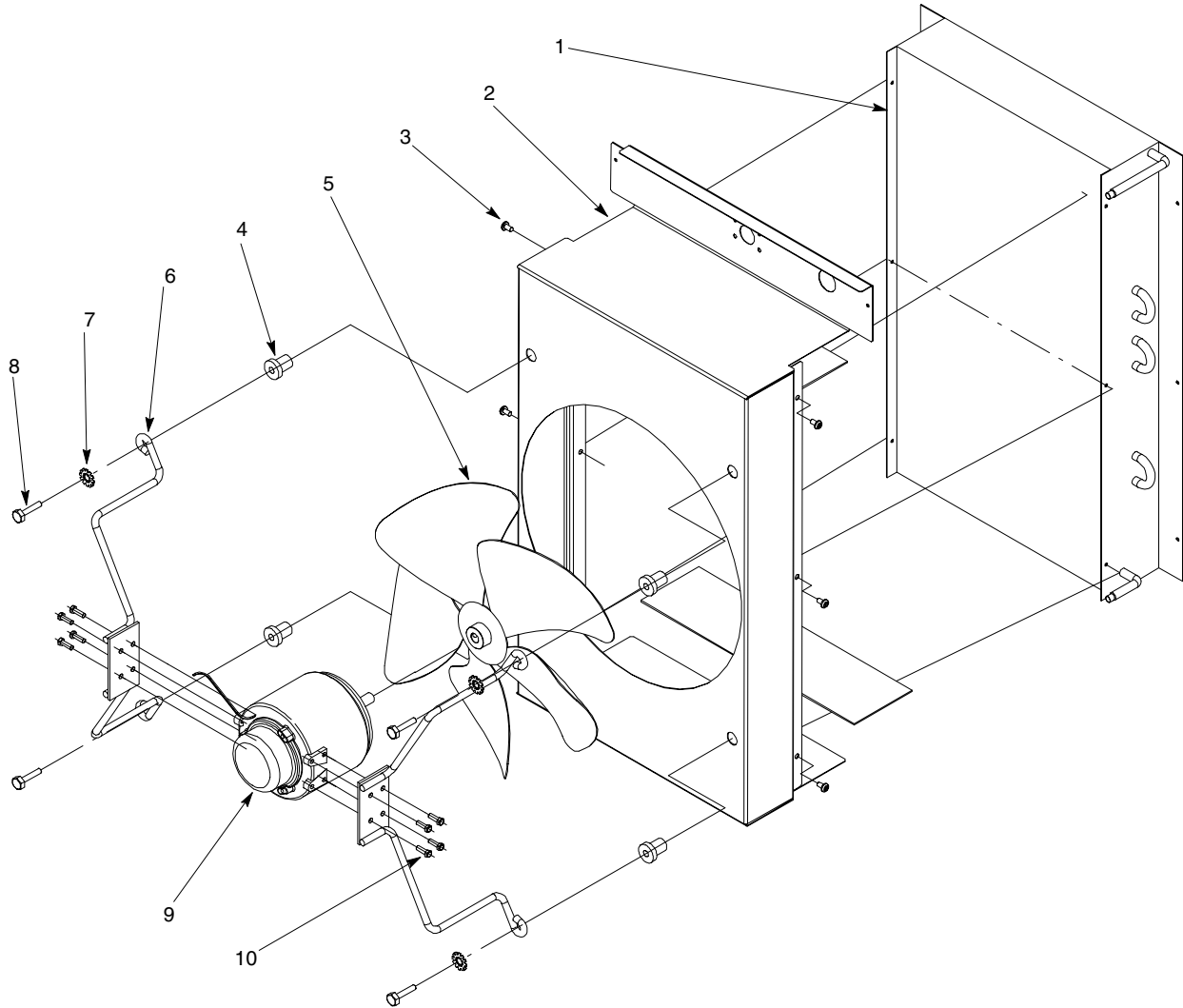


FIGURE 8. CONDENSER ASSEMBLY

Item No.	Part No.	Name
1	161870002	Cond Coil
2	630201108	Shroud Cdr
3	630900190	Screw SM 8 PAPH 12
4	630900889	Nut Well 1/4-20
5	630900309	Fan Blade

Item No.	Part No.	Name
6	630900919	Brkt Wire Frmd Fan Mtr
7	23978	Washer Sr .690 I.D.
8	165294000	Bolt MA 1/4-20 HX 32
9	630000456	Motor Asy Fan/Term 120V 60HZ
	166181011	Motor Asy Fan/Term 230V 50HZ
10	03612	Screw MA 8-36 HX 16



ILLUSTRATED PARTS LIST

XTREME ICE MAKER (322 AND 330 SERIES)

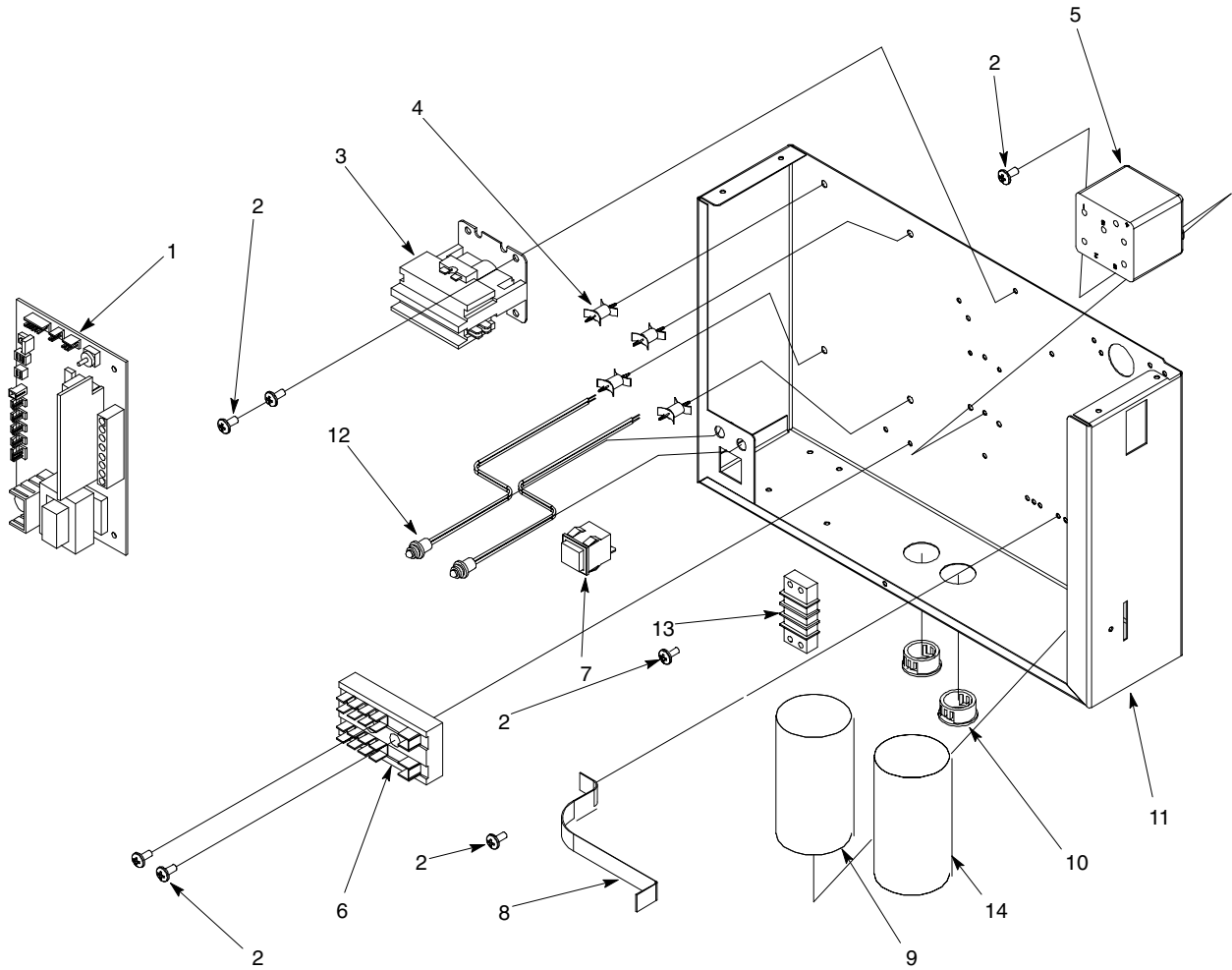


FIGURE 9. ELECTRICAL BOX ASSEMBLY

Item No.	Part No.	Name
1	630900789	Board Control Pressure
2	07578	Screw TC 8-32 TRPH 12
3	164884002	Relay Power 120V 60HZ
	40713	Relay Power 230V 50HZ
4	630460105	Spacer Circ Board
5	630900720	Relay Start 120V 60HZ
	630900722	Relay Start 230V 50HZ
6	161838002	Block Term
7	630900905	Switch Push Btn

Item No.	Part No.	Name
8	630200166	Cap Strap
9	630900728	Capac Srt 120V 60HZ
	630900729	Capac Srt 230V 50HZ
10	03611	Bushing
11	630201032	Wrap Elec Box (322 Series)
	630201035	Wrap Elec Box (330 Series)
12	630900902	Ham Asy LED
13	630900102	Block Term (230V 50HZ)
14	630900733	Capac Run (230V 50HZ)



ILLUSTRATED PARTS LIST

XTREME ICE MAKER (322 AND 330 SERIES)

Item No.	Part No.	Name
1	630900883	Cap Plg
2	630900780	Distributor Water Inner
3	630900809	O-Ring .075 I.D.
4	630900779	Distributor Water Inner Barb
5	630900777	Distributor Water Asy

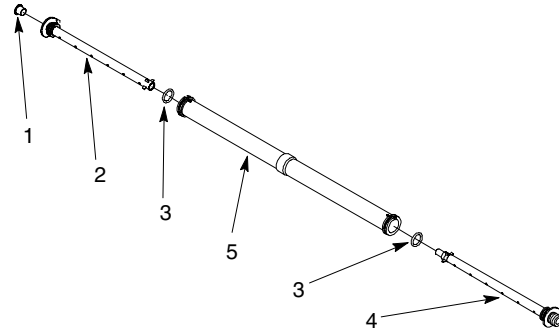


FIGURE 10. WATER DISTRIBUTOR ASSEMBLY

Item No.	Part No.	Name
1	630900881	Tube Vnl Pmp to Dmp Vlv
2	630900797	Pump Water 120V 60HZ
	630900796	Pump Water 230V 50HZ
3	630900928	Tube Vnl Pmp to Wtr Dis
4	630900874	Tube Vnl Pmp to Out Phase
5	166092000	Fitg Elbow
6	163242002	Clamp Hose

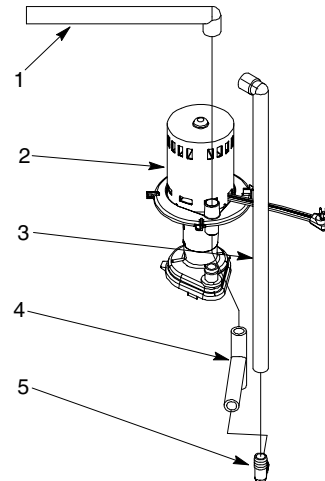


FIGURE 11. WATER PUMP ASSEMBLY

Item No.	Part No.	Name
1	630201023	Panel Fnt (322 Series)
	630201022	Panel Fnt (330 Series)
2	630900852	Cap Front Panel (322 Series)
	630900853	Cap Front Panel (330 Series)
3	630201019	Rail LT Fnt Pnl
4	630201017	Rail RT Fnt Pnl

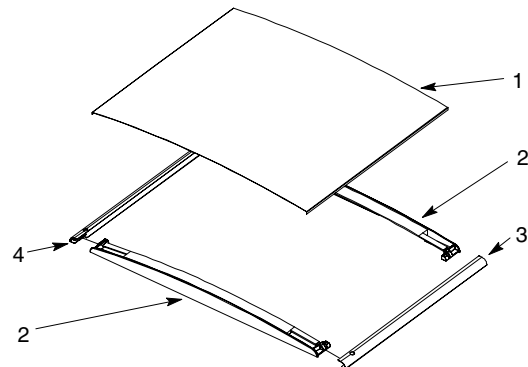


FIGURE 12. FRONT PANEL ASSEMBLY



ILLUSTRATED PARTS LIST

XTREME ICE MAKER (322 AND 330 SERIES)

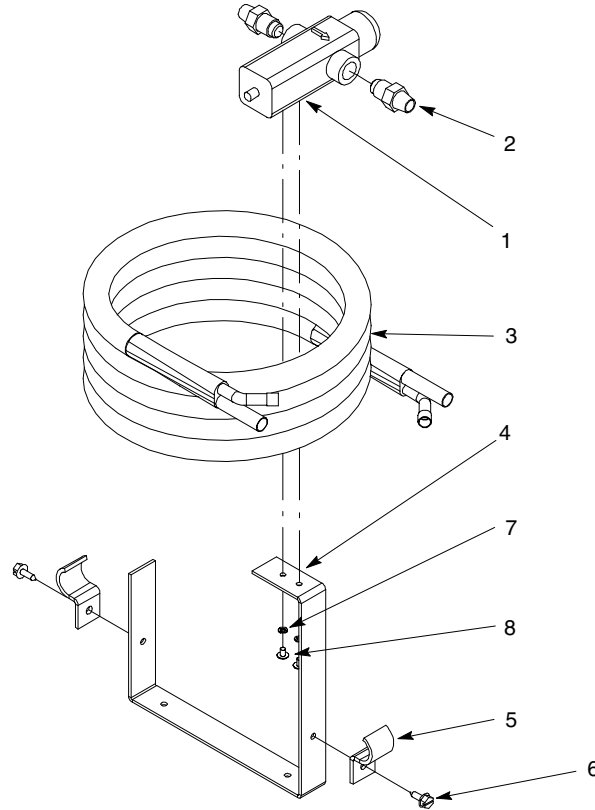


FIGURE 13. WATER COIL ASSEMBLY

Item No.	Part No.	Name
1	164980002	Valve Wtr Reg
2	08699	Fitg Union 5/8-18 x 3/8-MPT
3	01210	Cond Coil Wtr
4	164820105	Brkt Coil Wtr

Item No.	Part No.	Name
5	35987	Brkt Cond Coil
6	36039	Screw SM No. 14 HX 20
7	00214	Washer Lk .296 I.D.
8	161168000	Screw MA 8-32 TRPH 8



IMI CORNELIUS INC.
www.cornelius.com

ILLUSTRATED PARTS LIST

XTREME ICE MAKER (322 AND 330 SERIES) ACCESSORIES/KITS

